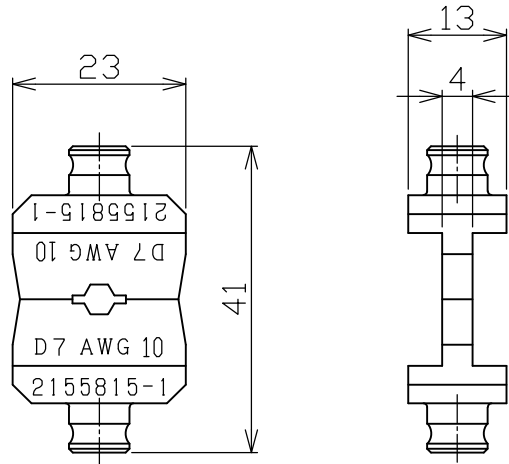


| REVISIONS | | | | | |
|-----------|-----|--|-----------|-----|------|
| P | LTR | DESCRIPTION | DATE | DWN | APVD |
| | A3 | ECR-19-016661 Remove note Restrict sales | 06NOV2019 | S.N | J.S |

| PART NUMBER | WIRE RANGE mm ² | TERMINAL DYNAMIC D7000 | REMARKS |
|-------------|-------------------------------|---|-------------|
| 2155815-1 | 5.0~5.60 (AWG 10 REF.) | 1871132-3 (SOCKET) 1871131-3 (PIN NDMAL) 1-1871131-3 (PIN LONG) | TE REC-LI60 |

適用電線 5.0~5.60mm² (参考 AWG 10) 専用。
AWG 12は適用できません。




RELEASED FOR PUBLICATION

ALL RIGHTS RESERVED.

© COPYRIGHT 2013 By Tyco Electronics Japan G.K.

THIS DRAWING IS UNPUBLISHED.

| | | | | | | | | | | | | | |
|---|------------------|------------|-----------|---|-----------------|-----------|------------|---------------|----------------------------------|-------|--------|-----|----|
| DIMENSIONS: mm | DWN | S.NAKA | 25SEP2013 | MATERIAL | COMMERCIAL ITEM | FINISH | - | | | | | | |
| | CHK | J.KOGA | 25SEP2013 |  TE Connectivity Ltd. | | | | | | | | | |
| TOLERANCES UNLESS OTHERWISE SPECIFIED: | APVD | J.KOGA | 25SEP2013 | | | | | NAME | DIES, TE REC-LI60, D7000, AWG 10 | | | | |
| | PRODUCT SPEC | - | | | SIZE | CAGE CODE | DRAWING NO | RESTRICTED TO | | | | | |
| | APPLICATION SPEC | 114-5452 | | | A4 | 00779 | C-2155815 | - | | | | | |
| 0 PLC ± - 1 PLC ± - 2 PLC ± - 3 PLC ± - 4 PLC ± - ANGLES ± - | WEIGHT | Approx 56g | | CUSTOMER DRAWING | | | | SCALE | 1:1 | SHEET | 1 of 1 | REV | A3 |

单击下面可查看定价，库存，交付和生命周期等信息

[>>TE Connectivity\(泰科\)](#)