

## ISO1176 隔离式 RS-485 Profibus 收发器

### 1 特性

- 符合或超过 EN 50170 和 TIA/EIA-485-A 的要求
- 信号传输速率高达 40Mbps
- 差分输出超过 2.1V (54Ω 负载)
- 低总线电容 - 10pF (最大值)
- 一条总线上多达 160 个收发器
- 50kV/μs 典型瞬态抗扰度
- 针对总线开路、短路及空闲状态的失效防护接收器
- 3.3V 输入可耐受 5V 电压
- 总线引脚 ESD 保护
  - 总线引脚与 GND2 之间的 16kV HBM
  - 总线引脚与 GND1 之间的 6kV HBM
- 安全及管理批准
  - 4000V<sub>PK</sub> 隔离, 560V<sub>PK</sub> V<sub>IORM</sub>, 符合 DIN EN IEC 60747-17 (VDE 0884-17)
  - 符合 UL 1577 标准的 2500V<sub>RMS</sub> 隔离额定值
  - 符合 CSA 62368-1 的 4000V<sub>PK</sub> 隔离额定值

### 2 应用

- Profibus
- 工厂自动化
- 联网传感器
- 电机和运动控制
- HVA 及楼宇自动化网络
- 联网安检站

### 3 说明

ISO1176 器件是一款设计用于 PROFIBUS 应用的隔离式差分线路收发器。由于接地环路被断开, 该器件能够

在大得多的共模电压范围内运行, 非常适合于长传输线路。经测试, 每个器件的对称隔离栅可在线路收发器和逻辑电平接口之间按照 UL 标准提供 2500V<sub>RMS</sub> 隔离。

电隔离差分总线收发器是集成电路, 旨在实现多点总线传输线路上的双向数据通信。该收发器将电隔离差分线路驱动器和差分输入线路接收器相结合。驱动器在 ISODE 引脚 (引脚 10) 上具有高电平有效使能和隔离式使能状态输出, 有助于控制方向。驱动器差分输出端和接收器差分输入端在内部连接以形成差分输入/输出 (I/O) 总线端口, 该端口用于为总线提供最小负载, 支持多达 160 个节点。

PV 引脚 (引脚 7) 作为全芯片使能选项提供。当一个逻辑低电平被施加到 PV 引脚上时, 所有器件输出均变为高阻抗。如需更多信息, 请参阅 [图 8.3](#) 中的功能表。

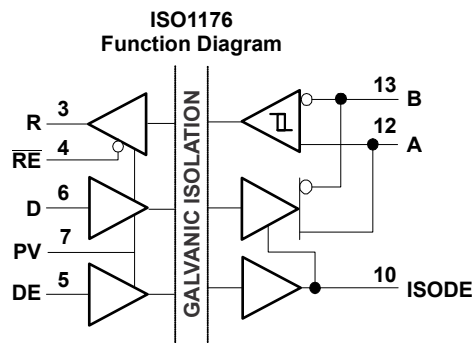
所有带线缆的 I/O 都容易遭受来自各种信号源的电瞬态噪声影响。这些瞬态噪声如果具有足够的幅度和持续时间, 就有可能导致收发器和/或邻近的敏感电路受到损坏。ISO1176 可显著降低数据损坏和昂贵控制电路损坏的风险。

该器件可在 -40°C 至 +85°C 的环境温度范围内运行。

#### 器件信息<sup>(1)</sup>

器件型号	封装	封装尺寸 (标称值)
ISO1176	SOIC (16)	10.30mm × 7.50mm

(1) 如需了解所有可用封装, 请参阅数据表末尾的可订购产品附录。



简化原理图



## Table of Contents

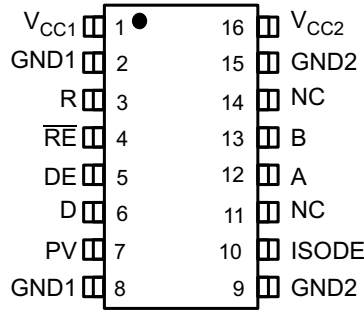
<b>1 特性</b> .....	1	6.16 Typical Characteristics.....	12
<b>2 应用</b> .....	1	<b>7 Parameter Measurement Information</b> .....	14
<b>3 说明</b> .....	1	<b>8 Detailed Description</b> .....	20
<b>4 Revision History</b> .....	2	8.1 Overview.....	20
<b>5 Pin Configuration and Functions</b> .....	3	8.2 Functional Block Diagram.....	20
<b>6 Specifications</b> .....	4	8.3 Device Functional Modes.....	21
6.1 Absolute Maximum Ratings.....	4	<b>9 Application and Implementation</b> .....	24
6.2 ESD Ratings.....	4	9.1 Application Information.....	24
6.3 Recommended Operating Conditions.....	4	9.2 Typical Application.....	24
6.4 Thermal Information.....	5	<b>10 Power Supply Recommendations</b> .....	28
6.5 Power Ratings.....	5	<b>11 Layout</b> .....	29
6.6 Insulation Specifications.....	5	11.1 Layout Guidelines.....	29
6.7 Safety-Related Certifications.....	6	11.2 Layout Example.....	30
6.8 Safety Limiting Values.....	6	<b>12 Device and Documentation Support</b> .....	31
6.9 Electrical Characteristics: Driver.....	7	12.1 Documentation Support.....	31
6.10 Electrical Characteristics: Receiver.....	7	12.2 支持资源.....	31
6.11 Supply Current.....	9	12.3 Trademarks.....	31
6.12 Electrical Characteristics: ISODE-Pin.....	9	12.4 静电放电警告.....	31
6.13 Switching Characteristics: Driver.....	10	12.5 术语表.....	31
6.14 Switching Characteristics: Receiver.....	10	<b>13 Mechanical, Packaging, and Orderable Information</b> .....	31
6.15 Insulation Characteristics Curves.....	11		

## 4 Revision History

注：以前版本的页码可能与当前版本的页码不同

<b>Changes from Revision E (June 2015) to Revision F (August 2023)</b> .....	<b>Page</b>
• 更新了整个文档中的表格、图和交叉参考的编号格式.....	1
• Updated Thermal Characteristics, Safety Limiting Values, and Thermal Derating Curves to provide more accurate system-level thermal calculations.....	5
• Updated electrical and switching characteristics to match device performance.....	7
<b>Changes from Revision D (March 2010) to Revision E (June 2015)</b> .....	<b>Page</b>
• 添加了引脚配置和功能部分、ESD 等级表、特性说明部分、器件功能模式、应用和实施部分、电源相关建议部分、布局部分、器件和文档支持部分以及机械、封装和可订购信息部分.....	1
• 将 VDE 标准更改为 DIN V VDE V 0884-10 (VDE V 0884-10): 2006-12.....	1
<b>Changes from Revision C (October 2008) to Revision D (March 2010)</b> .....	<b>Page</b>
• 向第一个“特性”列表添加了 560 V <sub>peak</sub> V <sub>IORM</sub> .....	1
• 向“特性”列表中添加了 UL 1577、IEC 60747-5-2 ( VDE 0884 , 修订版 2 ).....	1
• Changed the ISO1176 “Sticky Bit” Issue section.....	26
<b>Changes from Revision B (June 2008) to Revision C (October 2008)</b> .....	<b>Page</b>
• 将“说明”第二段中的文本从“在禁用驱动器或 V <sub>CC2</sub> = 0 时”更改为“支持多达 160 个节点。”.....	1
<b>Changes from Revision A (May 2008) to Revision B (June 2008)</b> .....	<b>Page</b>
<b>Changes from Revision * (March 2008) to Revision A (May 2008)</b> .....	<b>Page</b>
• 向“特性”列表添加了“3.3V 输入可耐受 5V 电压”.....	1
• 向“特性”列表添加了“总线引脚 ESD 保护”要点和子要点.....	1
• Added the APPLICATION INFORMATION section.....	24

## 5 Pin Configuration and Functions



**图 5-1. DW Package  
16-Pin SOIC  
Top View**

**表 5-1. Pin Functions**

PIN		I/O	DESCRIPTION
NAME	NO.		
A	12	I/O	Noninverting bus output
B	13	I/O	Inverting bus output
D	6	I	Driver input
DE	5	I	Driver logic-high enable
GND1	2, 8	—	Logic-side ground; internally connected
GND2	9, 15	—	Bus-side ground; internally connected
ISODE	10	—	Bus-side driver enable output
NC	11, 14	—	Not connected internally; may be left floating
PV	7	I	ISO1176 chip enable, logic high applied immediately after power up for device operation. A logic low 3-states all outputs.
R	3	O	Receiver output
RE	4	I	Receiver logic-low enable
V <sub>CC1</sub>	1	—	Logic side power supply
V <sub>CC2</sub>	16	—	Bus side power supply

## 6 Specifications

### 6.1 Absolute Maximum Ratings

Over operating free-air temperature range (unless otherwise noted)<sup>(1)</sup>

			MIN	MAX	UNIT
$V_{CC}$	Supply voltage <sup>(2)</sup>	$V_{CC1}, V_{CC2}$	-0.5	6	V
$V_O$	Voltage at any bus I/O terminal		-9	14	V
$V_I$	Voltage input	D, DE or RE	-0.5	6	V
$I_O$	Receiver output current		-10	10	mA
$T_J$	Junction temperature			150	°C
$T_{stg}$	Storage temperature		-65	150	°C

- (1) Stresses beyond those listed under *Absolute Maximum Ratings* may cause permanent damage to the device. These are stress ratings only, which do not imply functional operation of the device at these or any other conditions beyond those indicated under *Recommended Operating Conditions*. Exposure to absolute-maximum-rated conditions for extended periods may affect device reliability.
- (2) All voltage values except differential I/O bus voltages are with respect to the referenced network ground terminal and are peak voltage values

### 6.2 ESD Ratings

			VALUE	UNIT
$V_{(ESD)}$ Electrostatic discharge	Human body model (HBM), per ANSI/ESDA/JEDEC JS-001 <sup>(1)</sup>	Bus pins to 2, 8	±6000	V
		Bus pins to 9, 15	±16000	V
		All pins	±4000	V
	Charged device model (CDM), per JEDEC specification JESD22-C101, all pins <sup>(2)</sup>		±1000	V
	Machine model ANSI/ESDS5.2-1996		±200	V

- (1) JEDEC document JEP155 states that 500-V HBM allows safe manufacturing with a standard ESD control process.
- (2) JEDEC document JEP157 states that 250-V CDM allows safe manufacturing with a standard ESD control process.

### 6.3 Recommended Operating Conditions

			MIN	TYP	MAX	UNIT
$V_{CC}$	Logic-side supply voltage, $V_{CC1}$ (with respect to GND1)		3.15		5.5	V
	Bus-side supply voltage, $V_{CC2}$ (with respect to GND2)		4.75		5.25	V
$V_{CM}$	Voltage at either bus I/O terminal	A or B	-7		12	V
$V_{IH}$	High-level input voltage	PV, RE	2		5.5	V
$V_{IH}$	High-level input voltage	D, DE	$0.7 \cdot V_{CC1}$			V
$V_{IL}$	Low-level input voltage	PV, RE	0		0.8	V
$V_{IL}$	Low-level input voltage	D, DE			$0.3 \cdot V_{CC1}$	V
$V_{ID}$	Differential input voltage	A with respect to B	-12		12	V
$I_O$	Output current	Driver	-70		70	mA
$I_O$	Output current	Receiver	-8		8	mA
	Input pulse width		10			ns
$T_A$	Ambient temperature		-40	25	85	°C

## 6.4 Thermal Information

THERMAL METRIC <sup>(1)</sup>		ISO1176	UNIT
		DW (SOIC)	
		16 PINS	
$R_{\theta JA}$	Junction-to-ambient thermal resistance	81.4	°C/W
$R_{\theta JC(top)}$	Junction-to-case (top) thermal resistance	41.4	°C/W
$R_{\theta JB}$	Junction-to-board thermal resistance	46.4	°C/W
$\psi_{JT}$	Junction-to-top characterization parameter	15.0	°C/W
$\psi_{JB}$	Junction-to-board characterization parameter	45.8	°C/W
$R_{\theta JC(bot)}$	Junction-to-case (bottom) thermal resistance	n/a	°C/W

(1) For more information about traditional and new thermal metrics, see the [Semiconductor and IC Package Thermal Metrics application report](#).

## 6.5 Power Ratings

PARAMETER	TEST CONDITIONS	MIN	TYP	MAX	UNIT
$P_D$	Maximum power dissipation (both sides)			283	mW

$V_{CC1} = V_{CC2} = 5.25\text{ V}$ ,  $T_J = 150^\circ\text{C}$ ,  $C_L = 15\text{ pF}$ , Input at 20 MHz 50% duty cycle square wave

## 6.6 Insulation Specifications

PARAMETER		TEST CONDITIONS	VALUE	UNIT
			DW-16	
CLR	External clearance <sup>(1)</sup>	Shortest terminal-to-terminal distance through air	8	mm
CPG	External creepage <sup>(1)</sup>	Shortest terminal-to-terminal distance across the package surface	8	mm
DTI	Distance through the insulation	Minimum internal gap (internal clearance)	8	um
CTI	Comparative tracking index	DIN EN 60112 (VDE 0303-11); IEC 60112	>400	V
	Material group	According to IEC 60664-1	II	
	Overvoltage category per IEC 60664-1	Rated mains voltage $\leq 150\text{ V}_{RMS}$	I-IV	
		Rated mains voltage $\leq 300\text{ V}_{RMS}$	I-III	
<b>DIN EN IEC 60747-17 (VDE 0884-17) <sup>(2)</sup></b>				
$V_{IORM}$	Maximum repetitive peak isolation voltage	AC voltage (bipolar)	560	$V_{PK}$
$V_{IOTM}$	Maximum transient isolation voltage	$V_{TEST} = V_{IOTM}$ , $t = 60\text{ s}$ (qualification); $V_{TEST} = 1.2 \times V_{IOTM}$ , $t = 1\text{ s}$ (100% production)	4000	$V_{PK}$
$q_{pd}$	Apparent charge <sup>(3)</sup>	Method b; At routine test (100% production) $V_{ini} = 1.2 \times V_{IOTM}$ , $t_{ini} = 1\text{ s}$ ; $V_{pd(m)} = 1.5 \times V_{IORM}$ , $t_m = 1\text{ s}$	$\leq 5$	pC
$C_{IO}$	Barrier capacitance, input to output <sup>(4)</sup>	$V_{IO} = 0.4 \times \sin(2\pi ft)$ , $f = 1\text{ MHz}$	2	pF
$C_i$	Input capacitance to ground	$V_i = V_{CC} / 2 + 0.4 \times \sin(2\pi ft)$ , $f = 1\text{ MHz}$ , $V_{CC} = 5\text{ V}$	2	pF
$R_{IO}$	Isolation resistance <sup>(4)</sup>	$V_{IO} = 500\text{ V}$ , $T_A = 25^\circ\text{C}$	$>10^{12}$	$\Omega$
	Pollution degree		2	
	Climatic category		40/125/21	
<b>UL 1577</b>				
$V_{ISO}$	Maximum withstanding isolation voltage	$V_{TEST} = V_{ISO}$ , $t = 60\text{ s}$ (qualification), $V_{TEST} = 1.2 \times V_{ISO}$ , $t = 1\text{ s}$ (100% production)	2500	$V_{RMS}$

(1) Creepage and clearance requirements should be applied according to the specific equipment isolation standards of an application. Care should be taken to maintain the creepage and clearance distance of a board design to ensure that the mounting pads of the

isolator on the printed-circuit board do not reduce this distance. Creepage and clearance on a printed-circuit board become equal in certain cases. Techniques such as inserting grooves and/or ribs on a printed-circuit board are used to help increase these specifications.

- (2) This coupler is suitable for *basic electrical insulation* only within the safety ratings. Compliance with the safety ratings shall be ensured by means of suitable protective circuits.
- (3) Apparent charge is electrical discharge caused by a partial discharge (pd).
- (4) All pins on each side of the barrier tied together creating a two-terminal device.

## 6.7 Safety-Related Certifications

VDE	CSA	UL
Certified according to DIN EN IEC 60747-17 (VDE 0884-17)	Certified according to IEC 60950-1 and IEC 62368-1	Certified according to UL 1577 Component Recognition Program
Basic insulation, 4000 V <sub>PK</sub> Maximum transient isolation voltage, 560 V <sub>PK</sub> Maximum repetitive peak isolation voltage	4000 VPK Isolation Rating; Reinforced insulation per CSA 60950-1 and IEC 60950-1 148 V <sub>RMS</sub> working voltage; Basic insulation per CSA 62368-1 and IEC 62368-1 300V <sub>RMS</sub> working voltage	Single protection, 2500 V <sub>RMS</sub>
Certificate number: 40047657	Master contract number: 220991	File number: E181974

## 6.8 Safety Limiting Values

Safety limiting<sup>(1)</sup> intends to minimize potential damage to the isolation barrier upon failure of input or output circuitry.

PARAMETER		TEST CONDITIONS	MIN	TYP	MAX	UNIT
<b>DW-16 PACKAGE</b>						
I <sub>S</sub>	Safety input, output, or supply current	R <sub>θJA</sub> = 81.4°C/W, V <sub>I</sub> = 5.5 V, T <sub>J</sub> = 150°C, T <sub>A</sub> = 25°C,			279	mA
T <sub>S</sub>	Maximum case temperature				150	°C

- (1) The maximum safety temperature, T<sub>S</sub>, has the same value as the maximum junction temperature, T<sub>J</sub>, specified for the device. The I<sub>S</sub> and P<sub>S</sub> parameters represent the safety current and safety power respectively. The maximum limits of I<sub>S</sub> and P<sub>S</sub> should not be exceeded. These limits vary with the ambient temperature, T<sub>A</sub>.

The junction-to-air thermal resistance, R<sub>θJA</sub>, in the table is that of a device installed on a high-K test board for leaded surface-mount packages. Use these equations to calculate the value for each parameter:

$T_J = T_A + R_{\theta JA} \times P$ , where P is the power dissipated in the device.

$T_{J(max)} = T_S = T_A + R_{\theta JA} \times P_S$ , where T<sub>J(max)</sub> is the maximum allowed junction temperature.

$P_S = I_S \times V_I$ , where V<sub>I</sub> is the maximum input voltage.

## 6.9 Electrical Characteristics: Driver

All typical specs are at  $V_{CC1}=3.3V$ ,  $V_{CC2}=5V$ ,  $T_A=27^\circ C$ , (Min/Max specs are over recommended operating conditions unless otherwise noted)

PARAMETER		TEST CONDITIONS	MIN	TYP	MAX	UNIT
$ V_{OD} $	Open-circuit differential output voltage	$ V_A-V_B $ , Figure 8	1.8		$V_{CC2}$	V
$ V_{OD(SS)} $	Steady state differential output voltage magnitude	See Figure 9 and Figure 13	2.1			V
	Steady state differential output voltage magnitude	Common mode loading with $V_{test}$ from -7V to 12V, See figure 10	2.1			V
$\Delta  V_{ODSS} $	Change in differential output voltage between two states	$R_L = 54$ ohms, See Figure 11 and Figure 12	- 200		200	mV
$V_{OC(SS)}$	Steady state common-mode output voltage	$R_L = 54$ ohms, See Figure 11 and Figure 12	2		3	V
$\Delta V_{OC(SS)}$	change in steady-state common-mode output voltage between two states	$R_L = 54$ ohms, See Figure 11 and Figure 12	- 200		200	mV
$V_{OC(PP)}$	Peak-to-peak common-mode output voltage	$R_L = 54$ ohms, See Figure 11 and Figure 12		0.5		V
$V_{OD(RING)}$	Differential output voltage over and undershoot	See Figure 13 and Figure 17			10	% $V_{OD(PP)}$
$V_{I(HYS)}$	Input voltage hysteresis	See Figure 14		150		mV
$I_I$	Input current	D, DE at 0 V or $V_{CC1}$	- 10		10	$\mu A$
		PV <sup>(1)</sup> at 0 V or $V_{CC1}$			120	$\mu A$
$I_{O(OFF)}$	Output current with power off	$V_{CC} \leq 2.5V$				
$I_{OZ}$	High-impedance state output current	DE at 0 V				
$I_{OS(P)}$	Peak short circuit output current	DE at $V_{CC}$ . See Figure 15 and Figure 16: $V_{OS} = -7$ to 12 V	- 250		250	mA
$I_{OS(SS)}$	Steady state short-circuit output current	DE at $V_{CC}$ . See Figure 15 and Figure 16: $V_{OS} = 12$ V, D at GND1			150	mA
		DE at $V_{CC}$ . See Figure 15 and Figure 16: $V_{OS} = -7$ V, D at $V_{CC1}$	- 150			mA
$C_{OD}$	Differential output capacitance			7	10	pF
CMTI	Common-mode transient immunity	See Figure 27	25			kV/ $\mu s$

(1) The PV pin has a 50-k $\Omega$  pullup resistor and leakage current depends on supply voltage.

## 6.10 Electrical Characteristics: Receiver

All typical specs are at  $V_{CC1}=3.3V$ ,  $V_{CC2}=5V$ ,  $T_A=27^\circ C$ , (Min/Max specs are over recommended operating conditions unless otherwise noted)

PARAMETER		TEST CONDITIONS	MIN	TYP	MAX	UNIT
$V_{IT+}$	Positive-going input threshold voltage	$I_O = -8$ mA, See Figure 22		-80	- 10	mV
$V_{IT-}$	Negative-going input threshold voltage	$I_O = 8$ mA, See Figure 22	- 200	-120		mV
$V_{hys}$	Input hysteresis ( $V_{IT+} - V_{IT-}$ )			40		mV
$V_{OH}$	Output Voltage	$V_{CC1}$ at 3.3 V and $V_{CC2}$ at 5V, $V_{ID} = 200mV$ , $I_O = -8mA$	$V_{CC1}-0.4$	3		V
$V_{OH}$	Output Voltage	$V_{CC1}$ at 3.3 V and $V_{CC2}$ at 5V, $V_{ID} = 200mV$ , $I_O = -20\mu A$	$V_{CC1}-0.1$	3.3		V
$V_{OL}$	Output Voltage	$V_{CC1}$ at 3.3 V and $V_{CC2}$ at 5V, $V_{ID} = -200mV$ , $I_O = 8mA$		0.2	0.4	V
$V_{OL}$	Output Voltage	$V_{CC1}$ at 3.3 V and $V_{CC2}$ at 5V, $V_{ID} = -200mV$ , $I_O = 20\mu A$		0	0.1	V
$V_{OH}$	Output Voltage	$V_{CC1}$ at 5 V and $V_{CC2}$ at 5V, $V_{ID} = 200mV$ , $I_O = -8mA$	$V_{CC1}-0.8$	4.6		V

All typical specs are at  $V_{CC1}=3.3V$ ,  $V_{CC2}=5V$ ,  $T_A=27^\circ C$ , (Min/Max specs are over recommended operating conditions unless otherwise noted)

PARAMETER		TEST CONDITIONS	MIN	TYP	MAX	UNIT
$V_{OH}$	Output Voltage	$V_{CC1}$ at 5 V and $V_{CC2}$ at 5V, $V_{ID} = 200mV$ , $I_O = -20\mu A$	$V_{CC1}-0.1$	5		V
$V_{OL}$	Output Voltage	$V_{CC1}$ at 5 V and $V_{CC2}$ at 5V, $V_{ID} = -200mV$ , $I_O = 8mA$		0.2	0.4	V
$V_{OL}$	Output Voltage	$V_{CC1}$ at 5 V and $V_{CC2}$ at 5V, $V_{ID} = -200mV$ , $I_O = 20\mu A$		0	0.1	V
$I_A$ or $I_B$	Bus pin input current	$V_I = -7 V$ or 12 V, other input = 0V: $V_{CC} = 4.75 V$ or 5.25 V	-160		200	$\mu A$
$I_{A(OFF)}$ or $I_{B(OFF)}$		$V_I = -7 V$ or 12 V, other input = 0V: $V_{CC2} = 0 V$				
$I_I$	Receiver enable input current	$\overline{RE} = 0 V$ or $V_{CC1}$	-50		50	$\mu A$
$I_{OZ}$	High impedance state output current	$\overline{RE} = V_{CC1}$	- 1		1	$\mu A$
$R_{ID}$	Differential input resistance	A, B	48			kohm
$C_{ID}$	Differential input capacitance	Test input signal is a 1.5MHz sine wave with $1V_{PP}$ amplitude, $C_D$ is measured across A and B		7	10	pF
CMR	Common mode rejection	See Figure 26		4		V



## 6.11 Supply Current

Bus loaded or unloaded (over recommended operating conditions unless otherwise noted)

PARAMETER	TEST CONDITIONS	MIN	TYP	MAX	UNIT
<b>DRIVER ENABLED, RECEIVER DISABLED</b>					
$I_{CC1}$	3 V: DE at 0 V		4	6	mA
	3 V: DE at $V_{CC1}$ , 2 Mbps		5		mA
	3 V: DE at $V_{CC1}$ , 25 Mbps		6		mA
	5.5 V: DE at 0 V		7	10	mA
	5.5 V: DE at $V_{CC1}$ , 2 Mbps		8		mA
	5.5 V: DE at $V_{CC1}$ , 25 Mbps		11		mA
$I_{CC2}$	5.25 V: DE at 0 V		15	18	mA
	5.25 V: DE at $V_{CC1}$ , 2 Mbps, 54 ohm load		70		mA
	5.25 V: DE at $V_{CC1}$ , 25 Mbps, 54 load ohm		75		mA

## 6.12 Electrical Characteristics: ISODE-Pin

All typical specs are at  $V_{CC1}=3.3V$ ,  $V_{CC2}=5V$ ,  $T_A=27^\circ C$ , (Min/Max specs are over recommended operating conditions unless otherwise noted)

PARAMETER	TEST CONDITIONS	MIN	TYP	MAX	UNIT
$V_{OH}$	High-level output voltage	$I_{OH} = -8 \text{ mA}$	$V_{CC2} - 0.4$	4.6	V
		$I_{OH} = -20 \text{ } \mu\text{A}$	$V_{CC2} - 0.1$	5	V
$V_{OL}$	Low-level output voltage	$I_{OL} = -8 \text{ mA}$		0.2	0.4
		$I_{OL} = -20 \text{ } \mu\text{A}$		0	0.1

### 6.13 Switching Characteristics: Driver

All typical specs are at  $V_{CC1}=3.3V$ ,  $V_{CC2}=5V$ ,  $T_A=27^\circ C$ , (Min/Max specs are over recommended operating conditions unless otherwise noted)

PARAMETER		TEST CONDITIONS	MIN	TYP	MAX	UNIT
<b>ISO1176</b>						
$t_{PHL}$ , $t_{PLH}$	Propagation delay	$V_{CC1}$ at 5 V, $V_{CC2}$ at 5 V			35	ns
tsk(p)	Pulse skew ( $ t_{PHL} - t_{PLH} $ )		2	7.5	ns	
$t_{PHL}$ , $t_{PLH}$	Propagation delay	$V_{CC1}$ at 3.3 V, $V_{CC2}$ at 5 V			40	ns
tsk(p)	Pulse skew ( $ t_{PHL} - t_{PLH} $ )		2	7.5	ns	
$t_r$ , $t_f$	Differential output rise time and fall time	See Figure 17	2	3	7.5	ns
$t_{pDE}$	DE to ISODE prop delay	See Figure 21			30	ns
$t_{i(MLH)}$ , $t_{i(MHL)}$	Output transition skew	See Figure 18			1	ns
$t_{P(AZH)}$ , $t_{P(BZH)}$ , $t_{P(AZL)}$ , $t_{P(BZL)}$	Propagation delay, high-impedance-to-active output	$C_L = 50$ pF, $\overline{RE}$ at 0 V, See Figure 19 and Figure 20			80	ns
$t_{P(AHZ)}$ , $t_{P(BHZ)}$ , $t_{P(ALZ)}$ , $t_{P(BLZ)}$	Propagation delay time, active-to-high-impedance output		80	ns		
$ t_{P(AZL)} - t_{P(BZH)} $ , $ t_{P(AZH)} - t_{P(BZL)} $	Enable skew time		0.55	1.5	ns	
$t_{CFB}$	Time from application of short-circuit to current foldback	See Figure 16		0.5		$\mu s$
$t_{TSD}$	Time from application of short-circuit to thermal shutdown	$T_A = 25^\circ C$ , See Figure 16	100			$\mu s$

### 6.14 Switching Characteristics: Receiver

All typical specs are at  $V_{CC1}=3.3V$ ,  $V_{CC2}=5V$ ,  $T_A=27^\circ C$ , (Min/Max specs are over recommended operating conditions unless otherwise noted)

PARAMETER		TEST CONDITIONS	MIN	TYP	MAX	UNIT
<b>ISO1176</b>						
$t_{PHL}$ , $t_{PLH}$	Propagation delay	$V_{CC1}$ at 5 V, $V_{CC2}$ at 5 V			50	ns
tsk(p)	Pulse skew ( $ t_{PHL} - t_{PLH} $ )	$V_{CC1}$ at 5 V, $V_{CC2}$ at 5 V		2	7.5	ns
$t_{PHL}$ , $t_{PLH}$	Propagation delay	$V_{CC1}$ at 3.3 V, $V_{CC2}$ at 5 V			55	ns
tsk(p)	Pulse skew ( $ t_{PHL} - t_{PLH} $ )	$V_{CC1}$ at 3.3 V, $V_{CC2}$ at 5 V		2	7.5	ns
$t_r$ , $t_f$	Differential output rise time and fall time	See Figure 17		2	4	ns
$t_{PZH}$	Propagation delay time, high-impedance-to-high-level output	DE at $V_{CC1}$ , See Figure 24		13	25	ns
$t_{PHZ}$	Propagation delay time, high-level-to-high-impedance output		13	25	ns	
$t_{PZL}$	Propagation delay time, high-impedance-to-low-level output	DE at $V_{CC}$ , See Figure 25		13	25	ns
$t_{PLZ}$	Propagation delay time, low-level-to-high-impedance output		13	25	ns	

### 6.15 Insulation Characteristics Curves

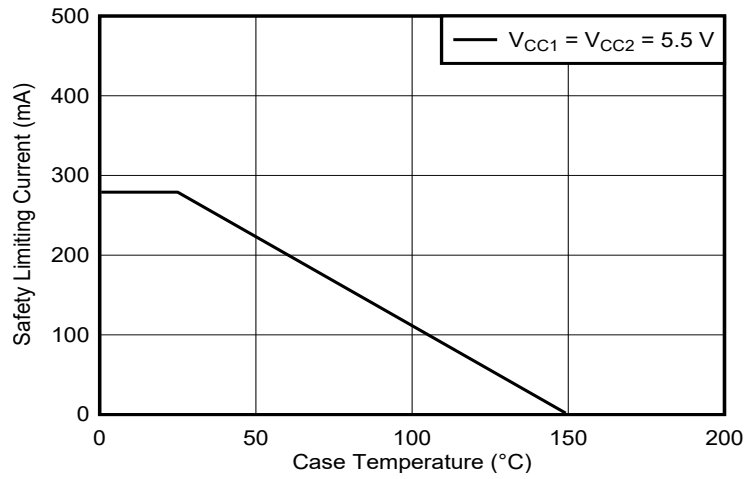
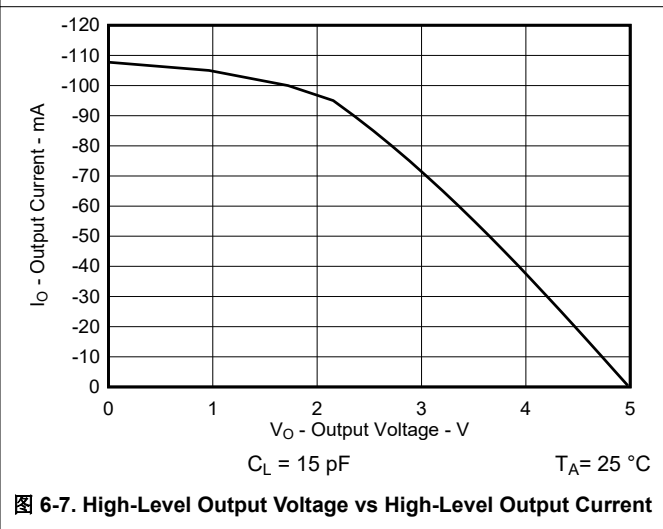
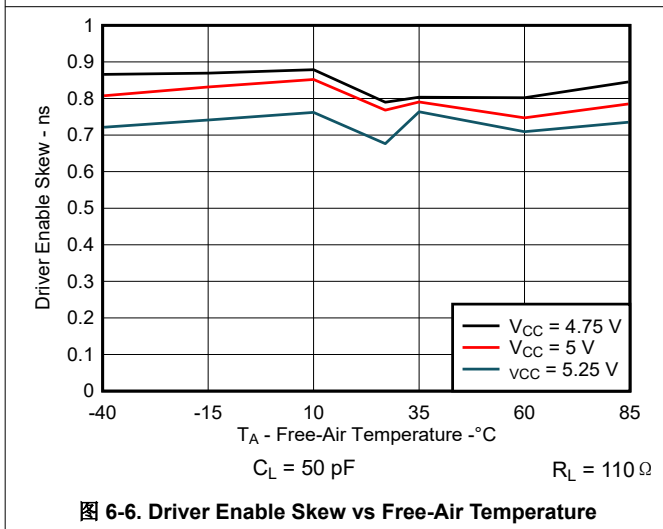
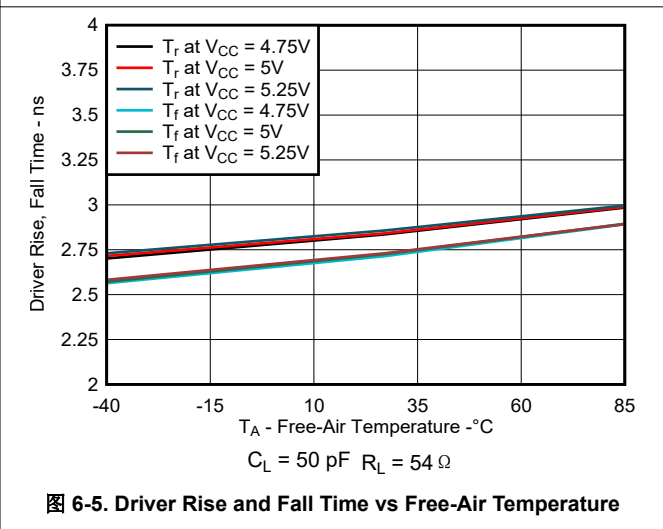
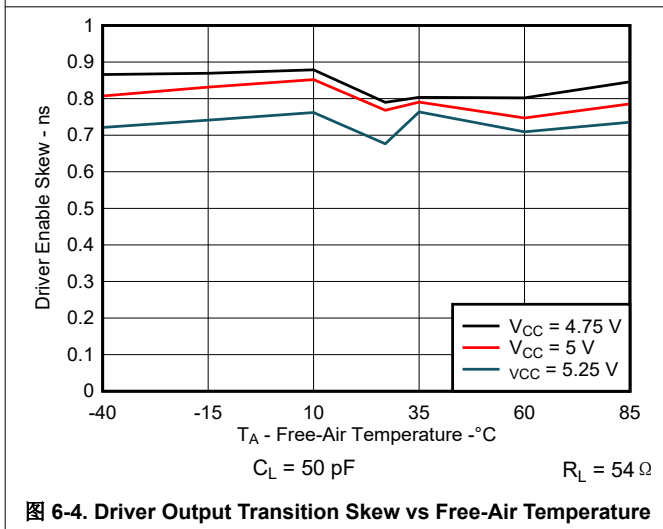
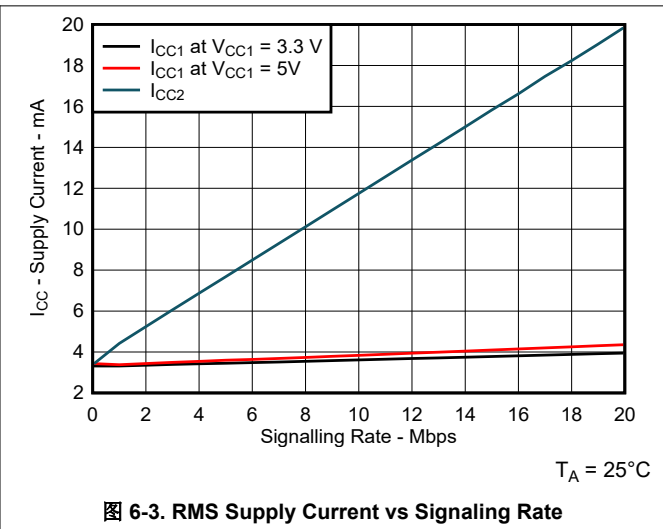
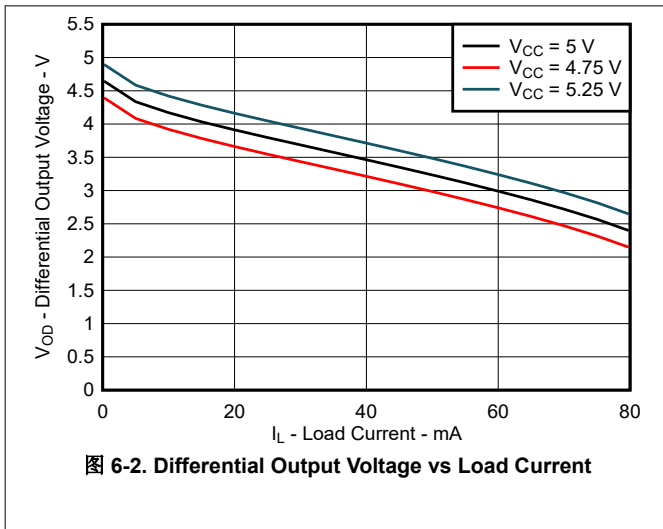


图 6-1. Thermal Derating Curve for Limiting Power per VDE

### 6.16 Typical Characteristics



### 6.16 Typical Characteristics (continued)

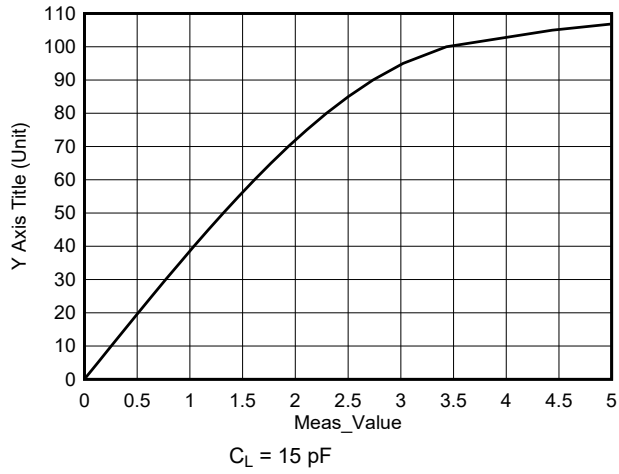


图 6-8. Low-Level Output Voltage vs Low-Level Output Current

## 7 Parameter Measurement Information

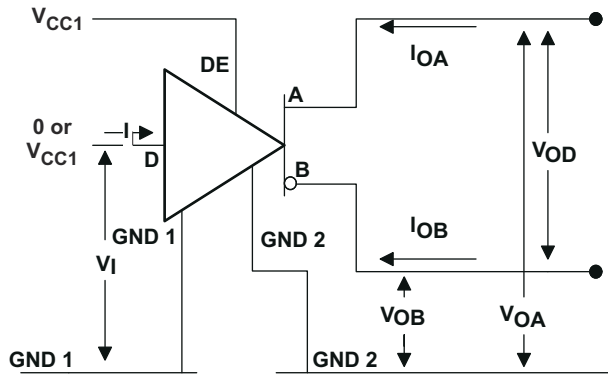


图 7-1. Open Circuit Voltage Test Circuit

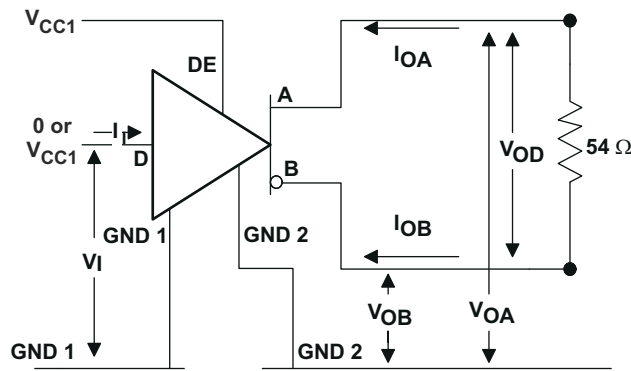


图 7-2.  $V_{OD}$  Test Circuit

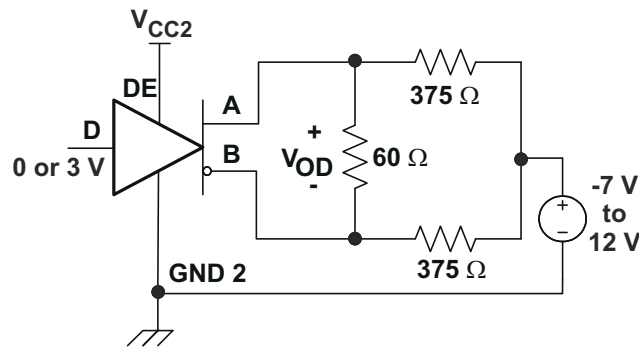


图 7-3. Driver  $V_{OD}$  With Common-Mode Loading Test Circuit

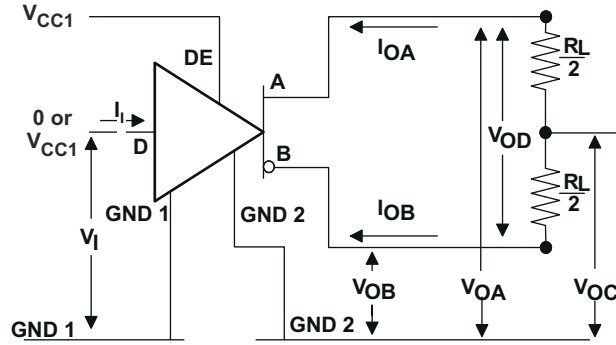


图 7-4. Driver  $V_{OD}$  and  $V_{OC}$  Without Common-Mode Loading Test Circuit

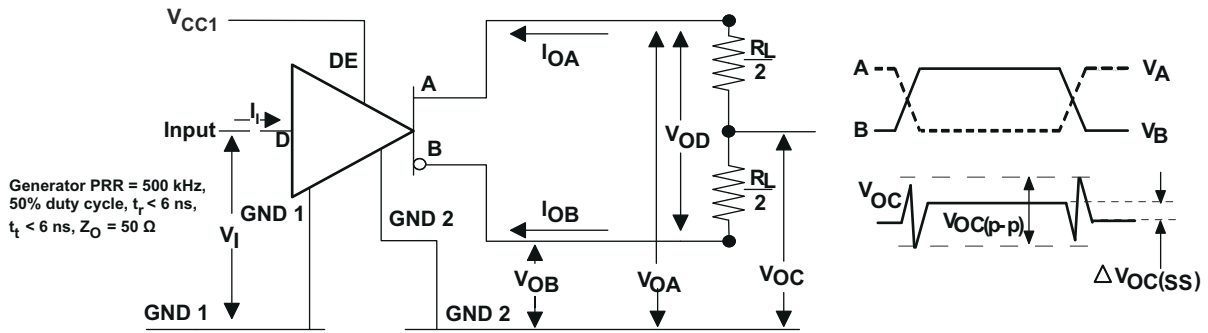


图 7-5. Steady-State Output Voltage Test Circuit and Voltage Waveforms

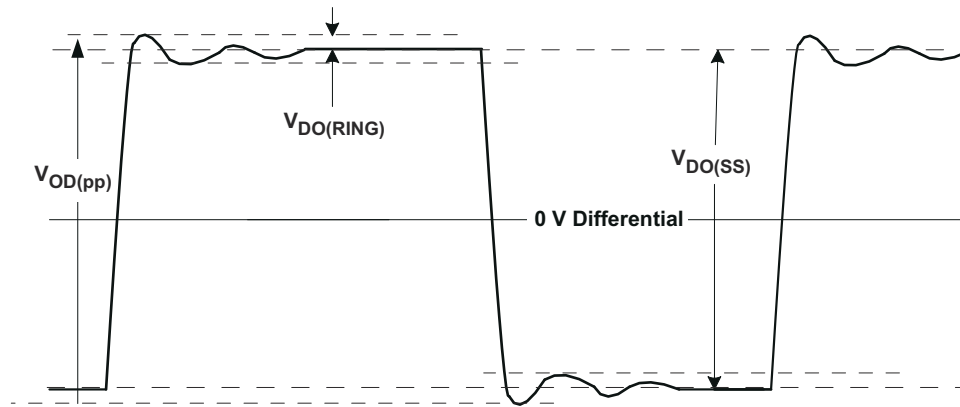


图 7-6.  $V_{DO(RING)}$  Waveform and Definitions

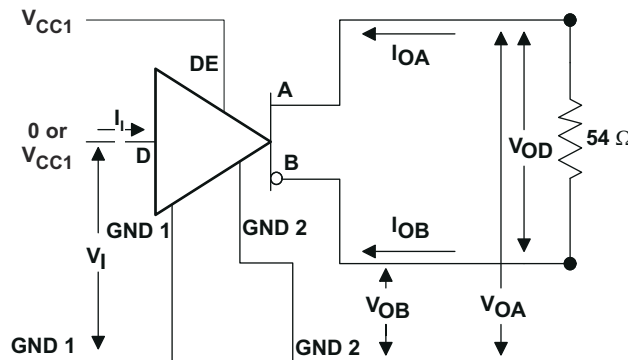


图 7-7. Input Voltage Hysteresis Test Circuit

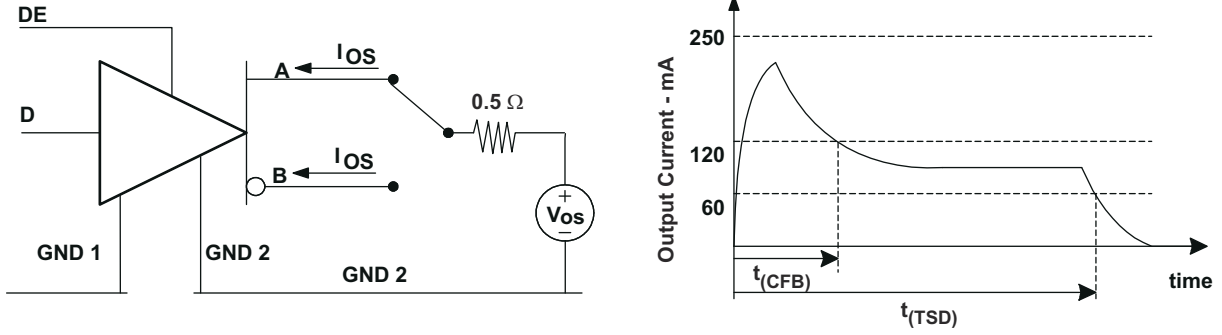


图 7-8. Driver Short-Circuit Test Circuit and Waveforms (Short-Circuit Applied at Time t=0)

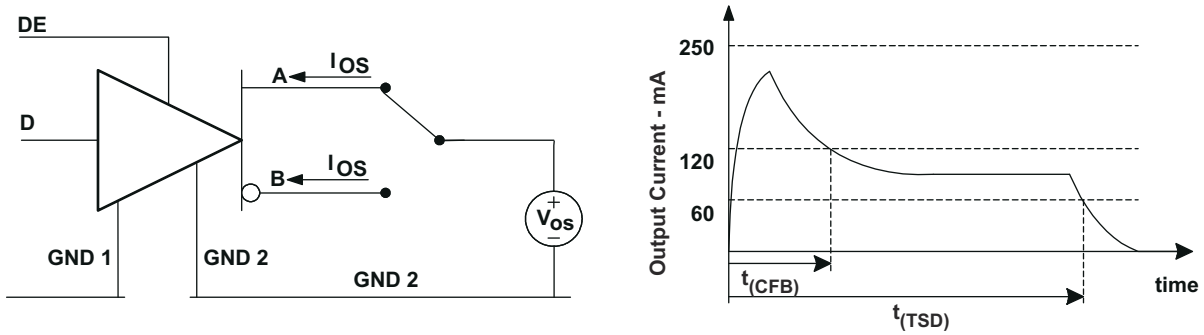


图 7-9.  $I_{OS(ss)}$  Steady State Short-Circuit Output Current Test Circuit

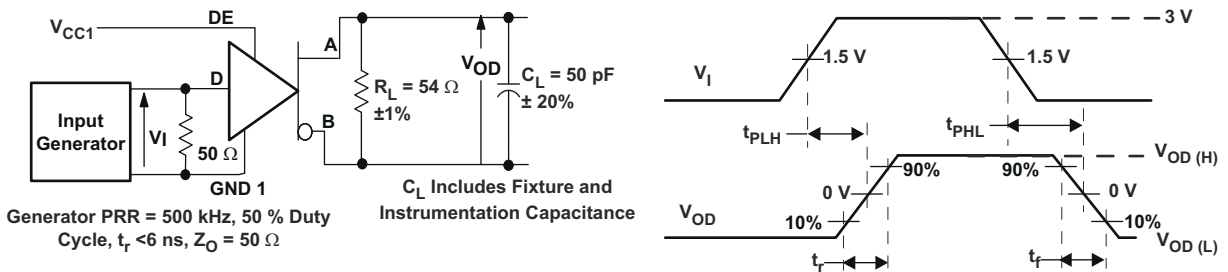


图 7-10. Driver Switching Test Circuit and Waveforms

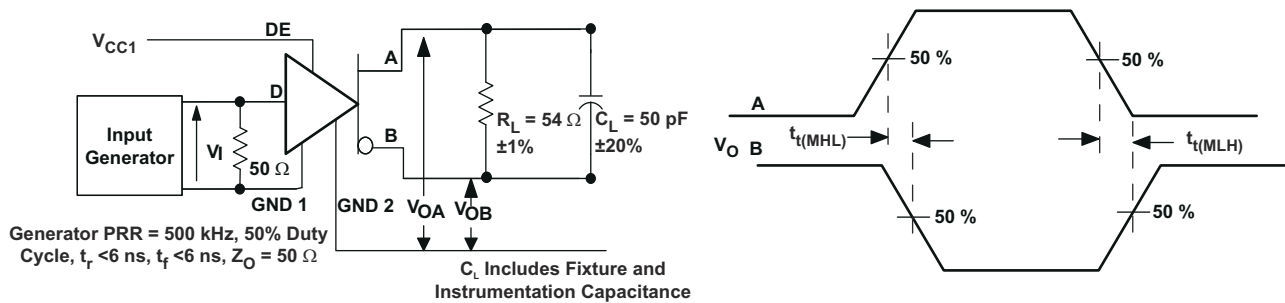


图 7-11. Driver Output Transition Skew Test Circuit and Waveforms



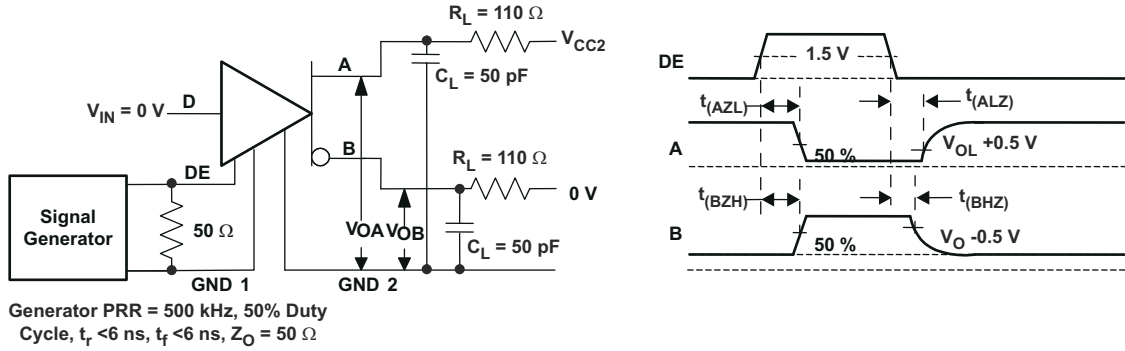


图 7-12. Driver Enable and Disable Test, D at Logic Low Test Circuit and Waveforms

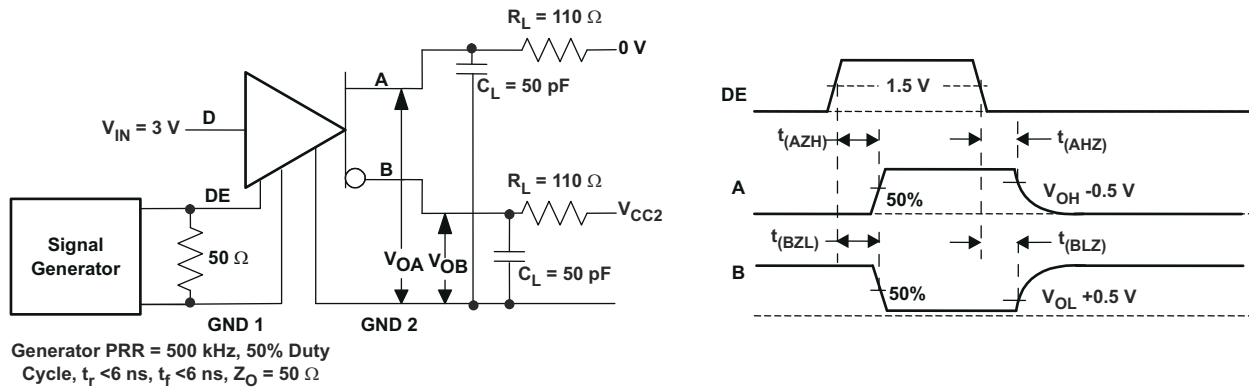


图 7-13. Driver Enable and Disable Test, D at Logic High Test Circuit and Waveforms

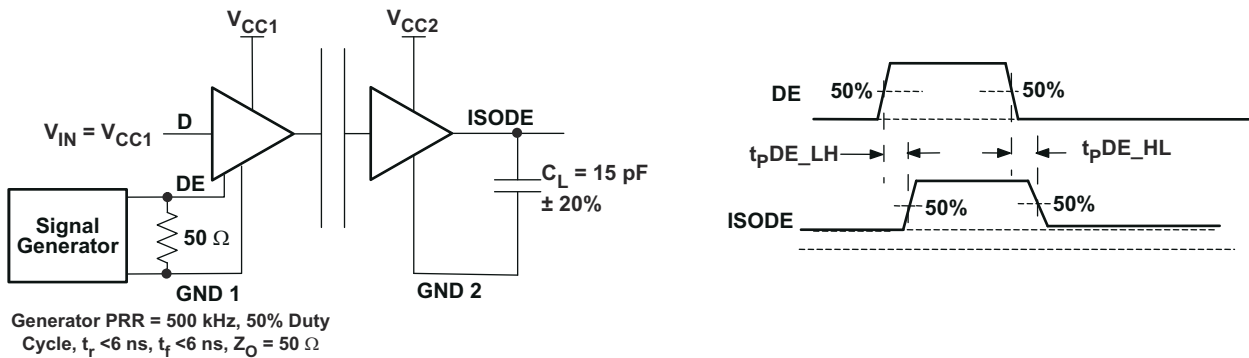


图 7-14. DE to ISODE Prop Delay Test Circuit and Waveforms

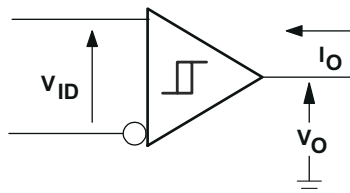


图 7-15. Receiver DC Parameter Definitions

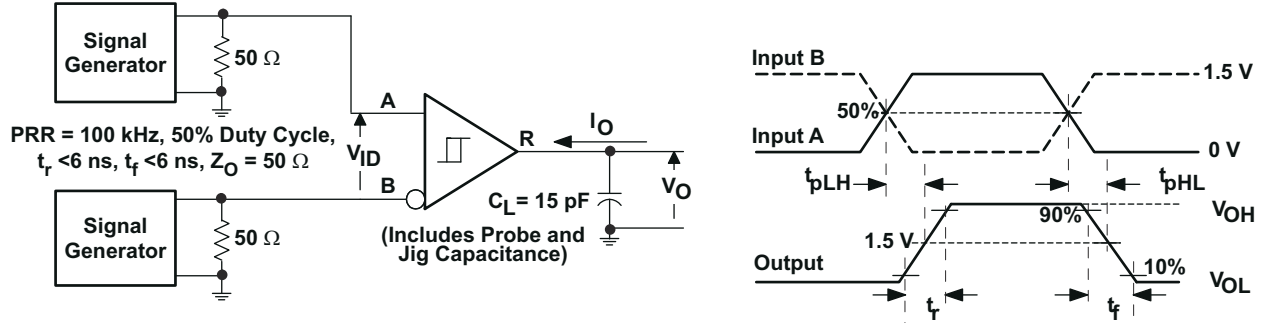


图 7-16. Receiver Switching Test Circuit and Waveforms

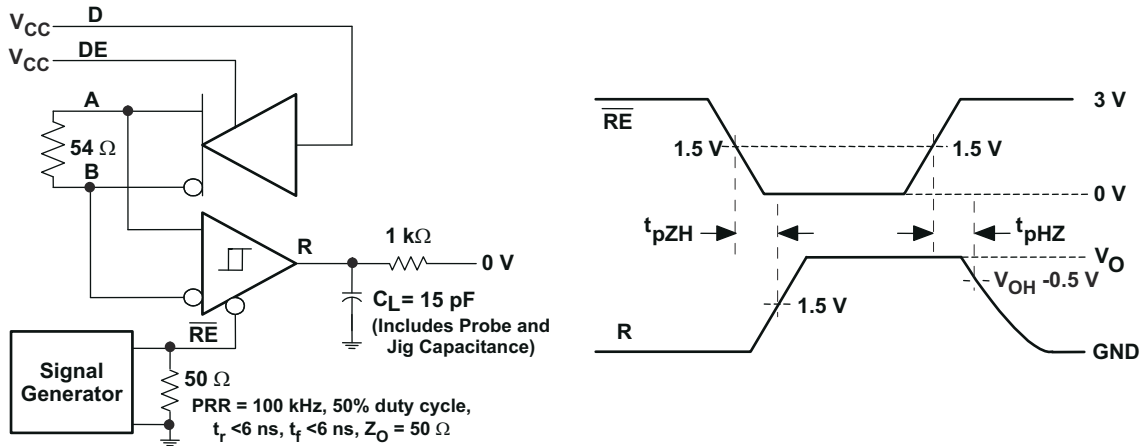


图 7-17. Receiver Enable Test Circuit and Waveforms, Data Output High

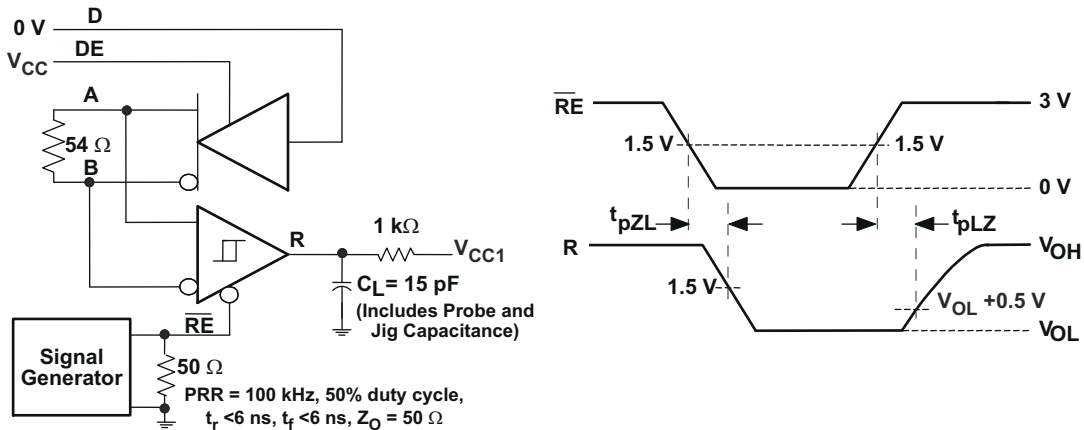


图 7-18. Receiver Enable Test Circuit and Waveforms, Data Output Low

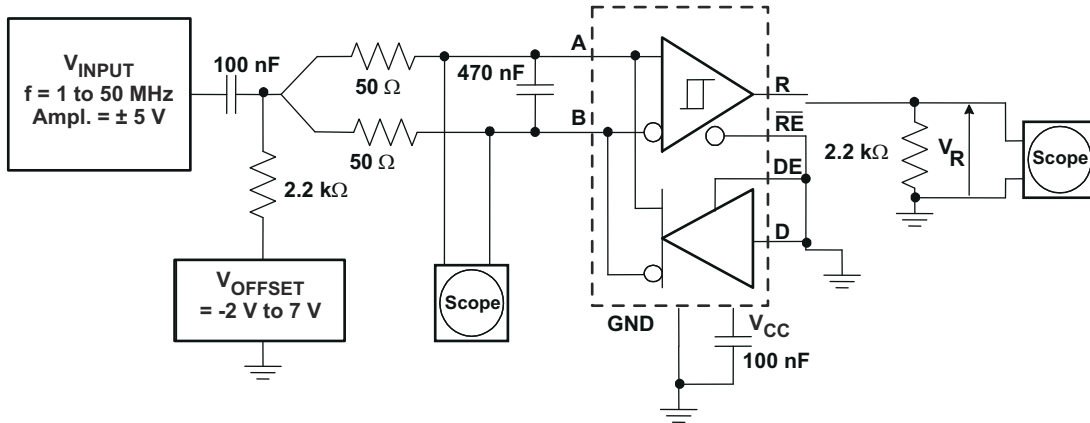


图 7-19. Common-Mode Rejection Test Circuit

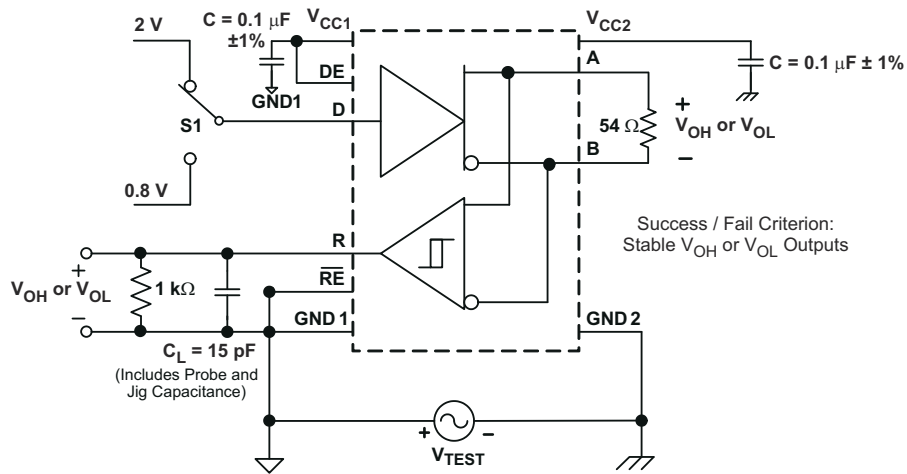


图 7-20. Common-Mode Transient Immunity Test Circuit

## 8 Detailed Description

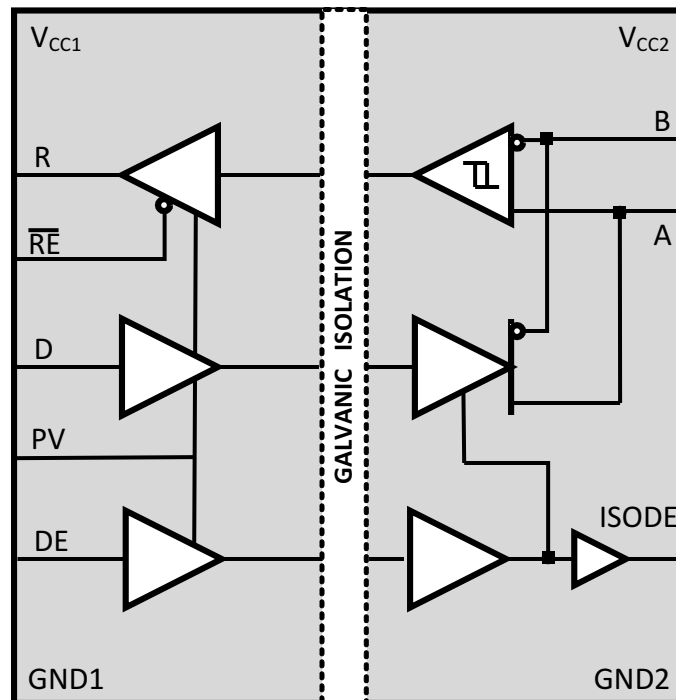
### 8.1 Overview

The ISO1176 is an isolated half-duplex differential line transceiver that meets the requirements of EN 50170 and TIA/EIA 485/422 applications. The device is rated to provide galvanic isolation of up to 2500 V<sub>RMS</sub> for 60 s per UL 1577. The device has active-high driver enable and active-low receiver enable functions to control the data flow. The device has maximum data transmission speed of 40 Mbps.

When the driver enable pin, DE, is logic high, the differential outputs A and B follow the logic states at data input D. A logic high at D causes A to turn high and B to turn low. In this case, the differential output voltage defined as  $V_{OD} = V_{(A)} - V_{(B)}$  is positive. When D is low, the output states reverse, B turns high, A becomes low, and  $V_{OD}$  is negative. When DE is low, both outputs turn high-impedance. In this condition, the logic state at D is irrelevant. The DE pin has an internal pulldown resistor to ground, thus when left open the driver is disabled (high-impedance) by default. The D pin has an internal pullup resistor to V<sub>CC</sub>, thus, when left open while the driver is enabled, output A turns high and B turns low.

When the receiver enable pin,  $\overline{RE}$ , is logic low, the receiver is enabled. When the differential input voltage defined as  $V_{ID} = V_{(A)} - V_{(B)}$  is positive and higher than the positive input threshold,  $V_{IT+}$ , the receiver output, R, turns high. When  $V_{ID}$  is negative and less than the negative and lower than the negative input threshold,  $V_{IT-}$ , the receiver output, R, turns low. If  $V_{ID}$  is between  $V_{IT+}$  and  $V_{IT-}$  the output is indeterminate. When  $\overline{RE}$  is logic high or left open, the receiver output is high-impedance and the magnitude and polarity of  $V_{ID}$  are irrelevant. Internal biasing of the receiver inputs causes the output to go failsafe-high when the transceiver is disconnected from the bus (open-circuit), the bus lines are shorted (short-circuit), or the bus is not actively driven (idle bus).

### 8.2 Functional Block Diagram



### 8.3 Device Functional Modes

**表 8-1. Driver Function Table**

V <sub>CC1</sub>	V <sub>CC2</sub>	POWER VALID (PV) (ISO1176)	INPUT (D)	ENABLE INPUT (DE)	ENABLE OUTPUT (ISODE)	OUTPUTS	
						A	B
PU	PU	H or open	H	H	H	H	L
PU	PU	H or open	L	H	H	L	H
PU	PU	H or open	X	L	L	Z	Z
PU	PU	H or open	X	open	L	Z	Z
PU	PU	H or open	open	H	H	H	L
PD	PU	X	X	X	L	Z	Z
PU	PD	X	X	X	L	Z	Z
PD	PD	X	X	X	L	Z	Z
X	X	L	X	X	L	Z	Z

**表 8-2. Receiver Function Table**

V <sub>CC1</sub>	V <sub>CC2</sub>	POWER VALID (PV) (ISO1176)	DIFFERENTIAL INPUT V <sub>ID</sub> = (V <sub>A</sub> - V <sub>B</sub> )	ENABLE (RE)	OUTPUT (R)
PU	PU	H or open	- 0.01 V ≤ V <sub>ID</sub>	L	H
PU	PU	H or open	- 0.2 V < V <sub>ID</sub> < - 0.01 V	L	?
PU	PU	H or open	V <sub>ID</sub> ≤ - 0.2 V	L	L
PU	PU	H or open	X	H	Z
PU	PU	H or open	X	open	Z
PU	PU	H or open	Open-circuit	L	H
PU	PU	H or open	Short-circuit	L	H
PU	PU	H or open	Idle (terminated) bus	L	H
PD	PU	X	X	X	Z
PU	PD	H or open	X	L	H
PD	PD	X	X	X	Z
X	X	L	X	X	Z

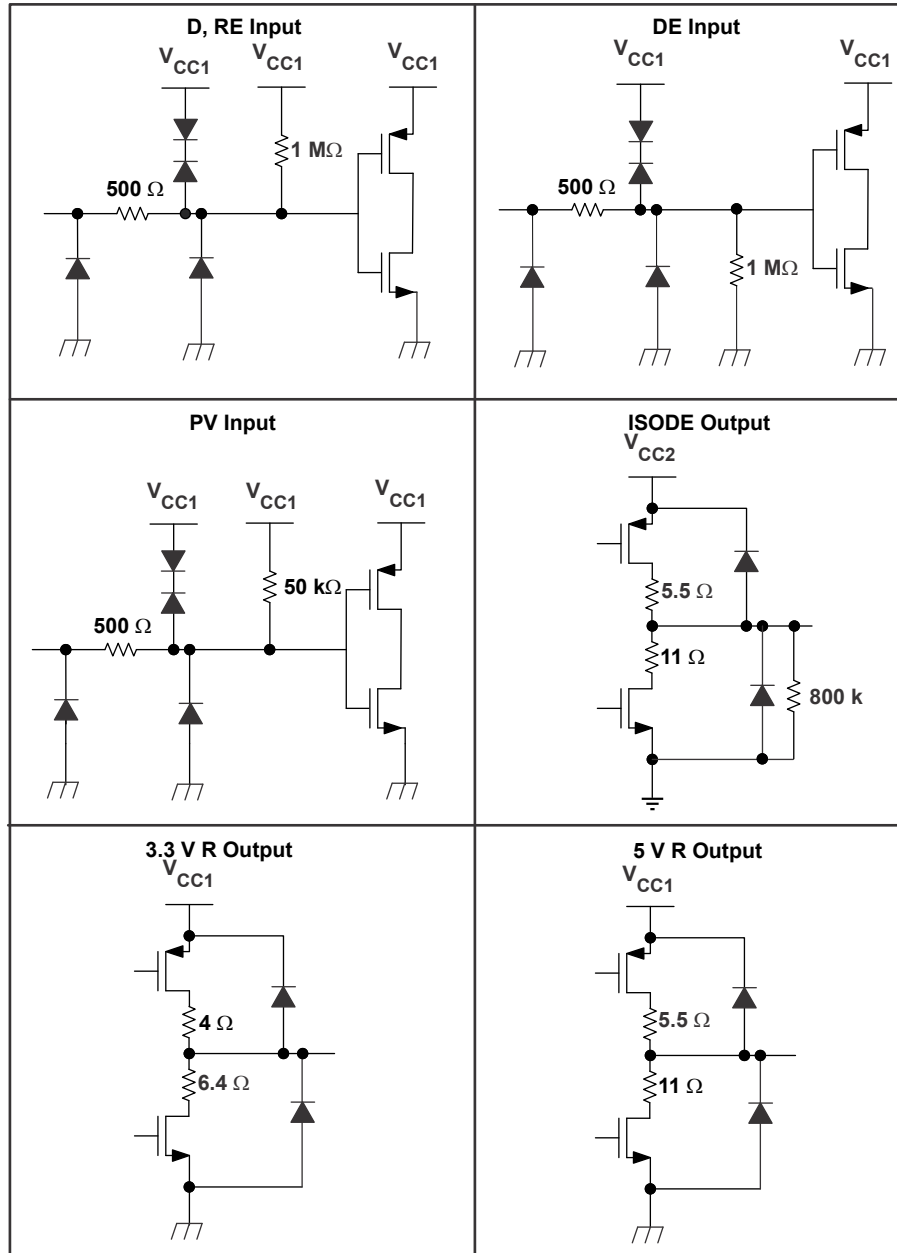


图 8-1. Equivalent I/O Schematics

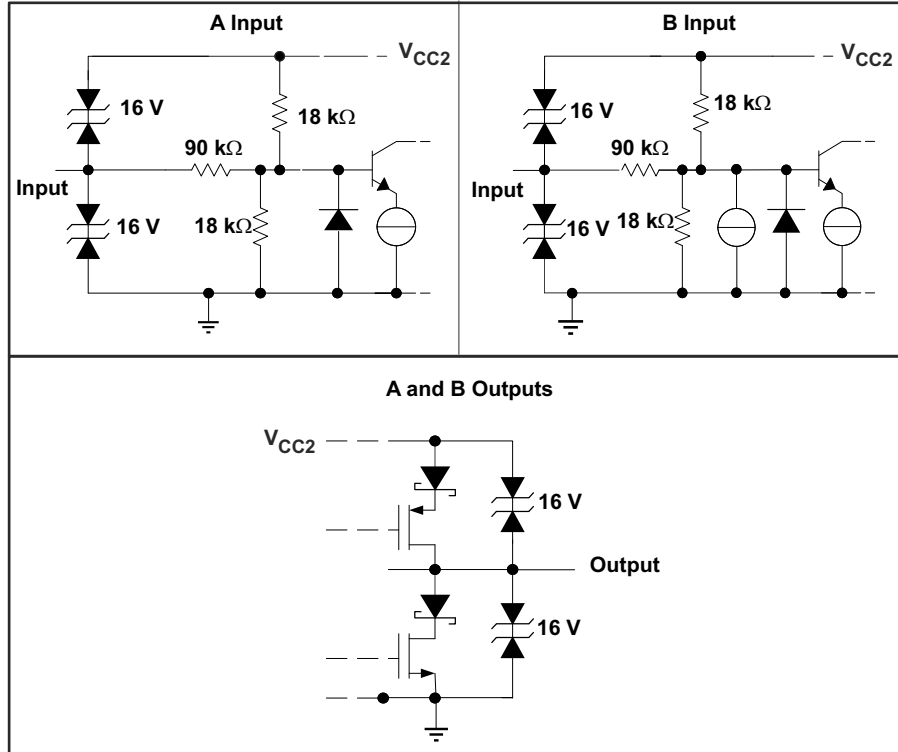


图 8-2. Equivalent I/O Schematics for A and B Inputs and Outputs

## 9 Application and Implementation

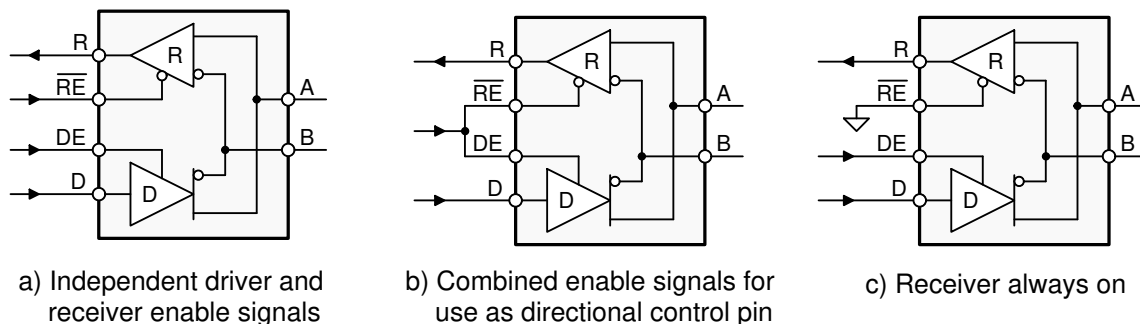
### 备注

以下应用部分中的信息不属于 TI 器件规格的范围，TI 不担保其准确性和完整性。TI 的客户应负责确定器件是否适用于其应用。客户应验证并测试其设计，以确保系统功能。

### 9.1 Application Information

The ISO1176 device consists of a RS-485 transceiver, commonly used for asynchronous data transmissions. For half-duplex transmission, only one pair is shared for both transmission and reception of data. To eliminate line reflections, each cable end is terminated with a termination resistor,  $R(T)$ , whose value matches the characteristic impedance,  $Z_0$ , of the cable. This method, known as parallel termination, allows for higher data rates over longer cable length.

### 9.2 Typical Application



Copyright © 2016, Texas Instruments Incorporated

图 9-1. Half-Duplex Transceiver Configurations

#### 9.2.1 Design Requirements

RS-485 is a robust electrical standard suitable for long-distance networking that may be used in a wide range of applications with varying requirements, such as distance, data rate, and number of nodes.

表 9-1. Design Parameters

PARAMETER	VALUE
Pullup and Pulldown Resistors	1 k $\Omega$ to 10 k $\Omega$
Decoupling Capacitors	100 nF

#### 9.2.2 Detailed Design Procedure

Isolating of a circuit insulates it from other circuits and earth, so that noise voltage develops across the insulation rather than circuit components. The most common noise threat to data-line circuits is voltage surges or electrical fast transients that occur after installation. The transient ratings of the ISO1176 standard are sufficient for all but the most severe installations. However, some equipment manufacturers use ESD generators to test equipment transient susceptibility. This practice can exceed insulation ratings. ESD generators simulate static discharges that may occur during device or equipment handling with low-energy but high-voltage transients.



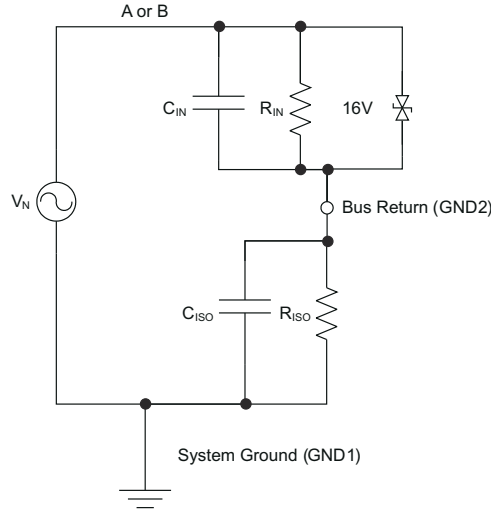


图 9-2. Device Model for Static Discharge Testing

图 9-2 models the ISO1176 bus IO connected to a noise generator.  $C_{IN}$  and  $R_{IN}$  is the device, and any other stray or added capacitance or resistance across the A or B pin to GND2.  $C_{ISO}$  and  $R_{ISO}$  is the capacitance and resistance between GND1 and GND2 of the ISO1176, plus those of any other insulation (transformer, and so forth). Stray inductance is assumed to be negligible.

### 9.2.2.1 Transient Voltages

From this model, the voltage at the isolated bus return is

$$V_{GND2} = V_N \frac{Z_{ISO}}{Z_{ISO} + Z_{IN}} \quad (1)$$

and is always less than 16 V from  $V_N$ . If the ISO1176 is tested as a stand-alone device,

- $R_{IN} = 6 \times 10^4 \Omega$ ,
- $C_{IN} = 16 \times 10^{-12} \text{ F}$ ,
- $R_{ISO} = 10^9 \Omega$  and
- $C_{ISO} = 10^{-12} \text{ F}$ .

Notice from 图 9-2 that the resistor ratio determines the voltage ratio at low frequencies, and that the inverse capacitance ratio determines the voltage ratio at high frequencies. In the stand-alone case and for low frequencies,

$$\frac{V_{GND2}}{V_N} = \frac{R_{ISO}}{R_{ISO} + R_{IN}} = \frac{10^9}{10^9 + 6 \times 10^4} \quad (2)$$

or essentially all of the noise appears across the barrier.

At high frequencies,

$$\frac{V_{GND2}}{V_N} = \frac{1/C_{ISO}}{1/C_{ISO} + 1/C_{IN}} = \frac{1}{1 + C_{ISO}/C_{IN}} = \frac{1}{1 + 1/16} = 0.94 \quad (3)$$

and 94% of  $V_N$  appears across the barrier. As long as  $R_{ISO}$  is greater than  $R_{IN}$  and  $C_{ISO}$  is less than  $C_{IN}$ , most of the transient noise appears across the isolation barrier, as it should.

Using ESD generators to test equipment transient susceptibility, or considering product claims of ESD ratings greater than the barrier transient ratings of an isolated interface is not recommended. ESD is best managed through recessing or covering connector pins in a conductive connector shell, and by proper installer training.


### 9.2.2.2 ISO1176 “Sticky Bit” Issue (Under Certain Conditions)

**Summary:** In applications with sufficient differential noise on the bus, the output of the ISO1176 receiver may “stick” at an incorrect state for up to 30  $\mu$ s.

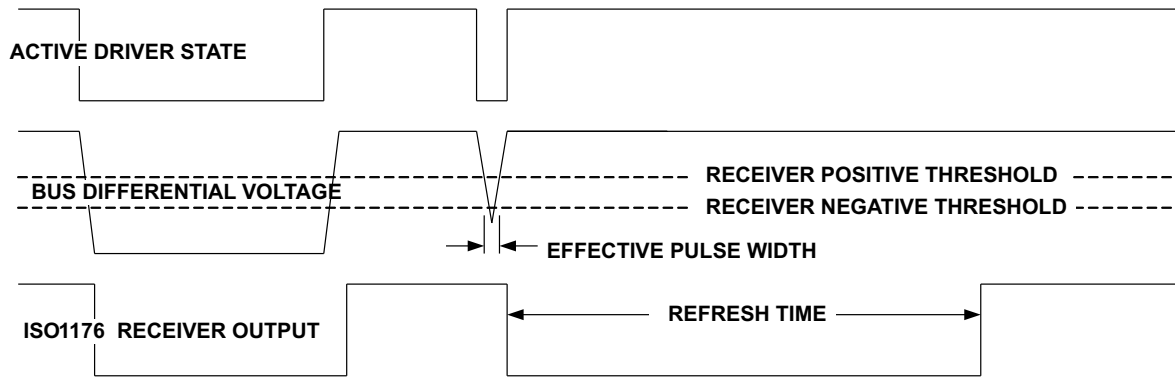
**Description:** The ISO1176 isolated Profibus (RS-485) transceiver is rated for signaling up to 40 Mbps on twisted-pair bus lines. The receiver thresholds comply with RS-485 and Profibus specifications; an input differential voltage  $V_{ID} = V_A - V_B > 200$  mV causes a logic High on the R output, and  $V_{ID} < -200$  mV causes a logic Low on the R output. To assure a known receiver output when the bus is shorted or idle, the upper threshold is set below zero, such that  $V_{ID} = 0$  mV causes a logic High on the R output. The data sheet specifies a typical upper threshold ( $V_{IT+}$ ) of  $-80$  mV and a typical lower threshold ( $V_{IT-}$ ) of  $-120$  mV.

At a signaling rate of 40 Mbps, each valid data bit has a duration of 25 ns. At typical Profibus signaling rates of 12 Mbps or lower, each valid data bit has a duration of 83 ns or more. The ISO1176 correctly sets the R output for each of these valid data bits.

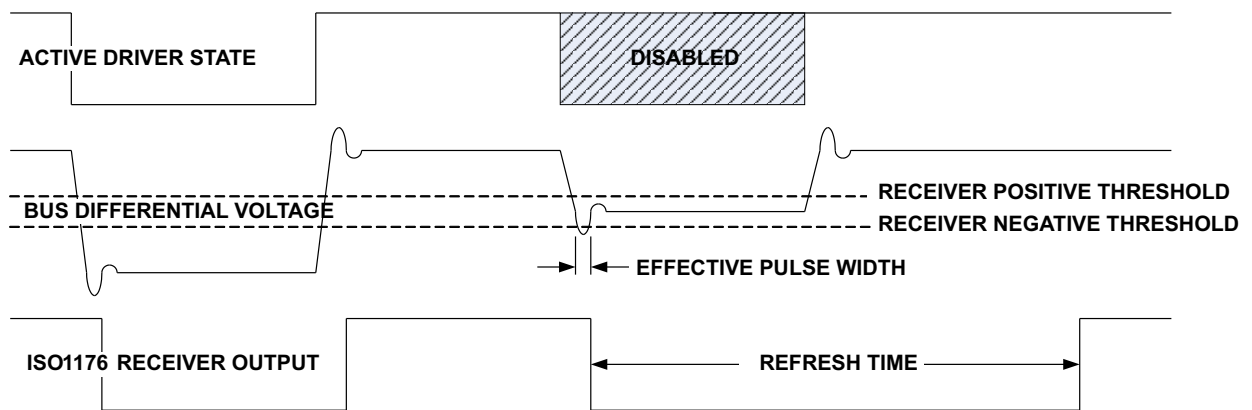
In applications with a high degree of differential noise on the bus lines, it is possible to get short periods when an invalid bus voltage triggers a change in state of the internal receiver circuits. An issue with the digital isolation channel in the ISO1176 may cause the invalid receiver state to “stick” rather than immediately transition back to the correct state. The receiver output will always transition to the correct state, but may stick in the incorrect state for up to 30  $\mu$ s. This can cause a temporary loss of data.

 **9-3** shows two cases which could result in temporary loss of data.

**Case 1**



**Case 2**



**图 9-3. "Sticky Bit" Issue Waveforms**

### 9.2.3 Application Curve

At maximum working voltage, ISO1176 isolation barrier has more than 28 years of life.

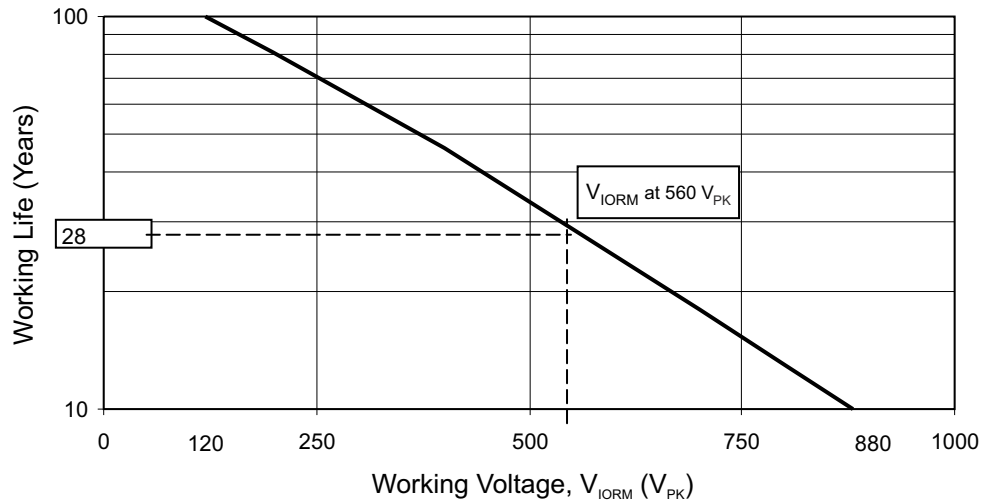


图 9-4. Time-Dependent Dielectric Breakdown Test Results

## 10 Power Supply Recommendations

To ensure reliable operation at all data rates and supply voltages, TI recommends a 0.1  $\mu$ F bypass capacitor at input and output supply pins ( $V_{CC1}$  and  $V_{CC2}$ ). The capacitors should be placed as close to the supply pins as possible. If only a single primary-side power supply is available in an application, isolated power can be generated for the secondary-side with the help of a transformer driver such as TI's [SN6501](#). For such applications, detailed power supply design and transformer selection recommendations are available in [SN6501](#) data sheet ([SLLSEA0](#)).

## 11 Layout

### 11.1 Layout Guidelines

ON-chip IEC-ESD protection is good for laboratory and portable equipment but never sufficient for EFT and surge transients occurring in industrial environments. Therefore, robust and reliable bus node design requires the use of external transient protection devices. Because ESD and EFT transients have a wide frequency bandwidth from approximately 3-MHz to 3-GHz, high-frequency layout techniques must be applied during PCB design. A minimum of four layers is required to accomplish a low EMI PCB design (see [图 11-1](#)).

- Layer stacking should be in the following order (top-to-bottom): high-speed signal layer, ground plane, power plane, and low-frequency signal layer.
- Placing a solid ground plane next to the high-speed signal layer establishes controlled impedance for transmission line interconnects and provides an excellent low-inductance path for the return current flow.
- Placing the power plane next to the ground plane creates additional high-frequency bypass capacitance of approximately 100 pF/in<sup>2</sup>.
- Routing the slower speed control signals on the bottom layer allows for greater flexibility as these signal links usually have margin to tolerate discontinuities such as vias.
- Place the protection circuitry close to the bus connector to prevent noise transients from penetrating your board.
- Use  $V_{CC}$  and ground planes to provide low-inductance. High-frequency currents might follow the path of least inductance and not necessarily the path of least resistance.
- Design the protection components into the direction of the signal path. Do not force the transient currents to divert from the signal path to reach the protection device.
- Apply 0.1- $\mu$ F bypass capacitors as close as possible to the  $V_{CC}$ -pins of transceiver, UART, and controller ICs on the board.
- Use at least two vias for  $V_{CC}$  and ground connections of bypass capacitors and protection devices to minimize effective via-inductance.
- Use 1-k $\Omega$  to 10-k $\Omega$  pullup and pulldown resistors for enable lines to limit noise currents in these lines during transient events.
- Insert pulse-proof resistors into the A and B bus lines if the TVS clamping voltage is higher than the specified maximum voltage of the transceiver bus pins. These resistors limit the residual clamping current into the transceiver and prevent it from latching up.
- While pure TVS protection is sufficient for surge transients up to 1 kV, higher transients require metal-oxide varistors (MOVs) which reduce the transients to a few hundred volts of clamping voltage, and transient blocking units (TBUs) that limit transient current to less than 1 mA.
- Routing the high-speed traces on the top layer avoids the use of vias (and the introduction of their inductances) and allows for clean interconnects between the isolator and the transmitter and receiver circuits of the data link.

If an additional supply voltage plane or signal layer is needed, add a second power and ground plane system to the stack to keep it symmetrical. This makes the stack mechanically stable and prevents it from warping. Also the power and ground plane of each power system can be placed closer together, thus increasing the high-frequency bypass capacitance significantly.

---

#### 备注

For detailed layout recommendations, see Application Note *Digital Isolator Design Guide*, [SLLA284](#).

---

## 11.2 Layout Example

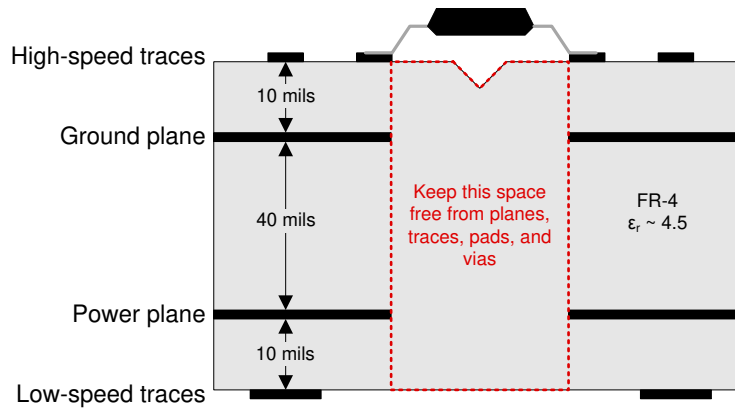


图 11-1. Recommended Layer Stack

## 12 Device and Documentation Support

### 12.1 Documentation Support

#### 12.1.1 Related Documentation

For related documentation, see the following:

- Texas Instruments, [Digital Isolator Design Guide application report](#)
- Texas Instruments, [Transformer Driver for Isolated Power Supplies data sheet](#)
- Texas Instruments, [Isolation Glossary application report](#)

### 12.2 支持资源

TI E2E™ 支持论坛是工程师的重要参考资料，可直接从专家获得快速、经过验证的解答和设计帮助。搜索现有解答或提出自己的问题可获得所需的快速设计帮助。

链接的内容由各个贡献者“按原样”提供。这些内容并不构成 TI 技术规范，并且不一定反映 TI 的观点；请参阅 TI 的《使用条款》。

### 12.3 Trademarks

TI E2E™ is a trademark of Texas Instruments.

所有商标均为其各自所有者的财产。

### 12.4 静电放电警告



静电放电 (ESD) 会损坏这个集成电路。德州仪器 (TI) 建议通过适当的预防措施处理所有集成电路。如果不遵守正确的处理和安装程序，可能会损坏集成电路。

ESD 的损坏小至导致微小的性能降级，大至整个器件故障。精密的集成电路可能更容易受到损坏，这是因为非常细微的参数更改都可能会导致器件与其发布的规格不相符。

### 12.5 术语表

[TI 术语表](#) 本术语表列出并解释了术语、首字母缩略词和定义。

## 13 Mechanical, Packaging, and Orderable Information

The following pages include mechanical, packaging, and orderable information. This information is the most current data available for the designated devices. This data is subject to change without notice and revision of this document. For browser-based versions of this data sheet, refer to the left-hand navigation.

**PACKAGING INFORMATION**

Orderable Device	Status (1)	Package Type	Package Drawing	Pins	Package Qty	Eco Plan (2)	Lead finish/ Ball material (6)	MSL Peak Temp (3)	Op Temp (°C)	Device Marking (4/5)	Samples
ISO1176DW	NRND	SOIC	DW	16	40	RoHS & Green	NIPDAU	Level-2-260C-1 YEAR	-40 to 85	ISO1176	
ISO1176DWG4	LIFEBUY	SOIC	DW	16	40	RoHS & Green	NIPDAU	Level-2-260C-1 YEAR	-40 to 85	ISO1176	
ISO1176DWR	ACTIVE	SOIC	DW	16	2000	RoHS & Green	NIPDAU	Level-2-260C-1 YEAR	-40 to 85	ISO1176	Samples

(1) The marketing status values are defined as follows:

**ACTIVE:** Product device recommended for new designs.

**LIFEBUY:** TI has announced that the device will be discontinued, and a lifetime-buy period is in effect.

**NRND:** Not recommended for new designs. Device is in production to support existing customers, but TI does not recommend using this part in a new design.

**PREVIEW:** Device has been announced but is not in production. Samples may or may not be available.

**OBSOLETE:** TI has discontinued the production of the device.

(2) **RoHS:** TI defines "RoHS" to mean semiconductor products that are compliant with the current EU RoHS requirements for all 10 RoHS substances, including the requirement that RoHS substance do not exceed 0.1% by weight in homogeneous materials. Where designed to be soldered at high temperatures, "RoHS" products are suitable for use in specified lead-free processes. TI may reference these types of products as "Pb-Free".

**RoHS Exempt:** TI defines "RoHS Exempt" to mean products that contain lead but are compliant with EU RoHS pursuant to a specific EU RoHS exemption.

**Green:** TI defines "Green" to mean the content of Chlorine (Cl) and Bromine (Br) based flame retardants meet JS709B low halogen requirements of <=1000ppm threshold. Antimony trioxide based flame retardants must also meet the <=1000ppm threshold requirement.

(3) MSL, Peak Temp. - The Moisture Sensitivity Level rating according to the JEDEC industry standard classifications, and peak solder temperature.

(4) There may be additional marking, which relates to the logo, the lot trace code information, or the environmental category on the device.

(5) Multiple Device Markings will be inside parentheses. Only one Device Marking contained in parentheses and separated by a "~" will appear on a device. If a line is indented then it is a continuation of the previous line and the two combined represent the entire Device Marking for that device.

(6) Lead finish/Ball material - Orderable Devices may have multiple material finish options. Finish options are separated by a vertical ruled line. Lead finish/Ball material values may wrap to two lines if the finish value exceeds the maximum column width.

**Important Information and Disclaimer:**The information provided on this page represents TI's knowledge and belief as of the date that it is provided. TI bases its knowledge and belief on information provided by third parties, and makes no representation or warranty as to the accuracy of such information. Efforts are underway to better integrate information from third parties. TI has taken and continues to take reasonable steps to provide representative and accurate information but may not have conducted destructive testing or chemical analysis on incoming materials and chemicals. TI and TI suppliers consider certain information to be proprietary, and thus CAS numbers and other limited information may not be available for release.

In no event shall TI's liability arising out of such information exceed the total purchase price of the TI part(s) at issue in this document sold by TI to Customer on an annual basis.





**TAPE AND REEL INFORMATION**

**QUADRANT ASSIGNMENTS FOR PIN 1 ORIENTATION IN TAPE**


\*All dimensions are nominal

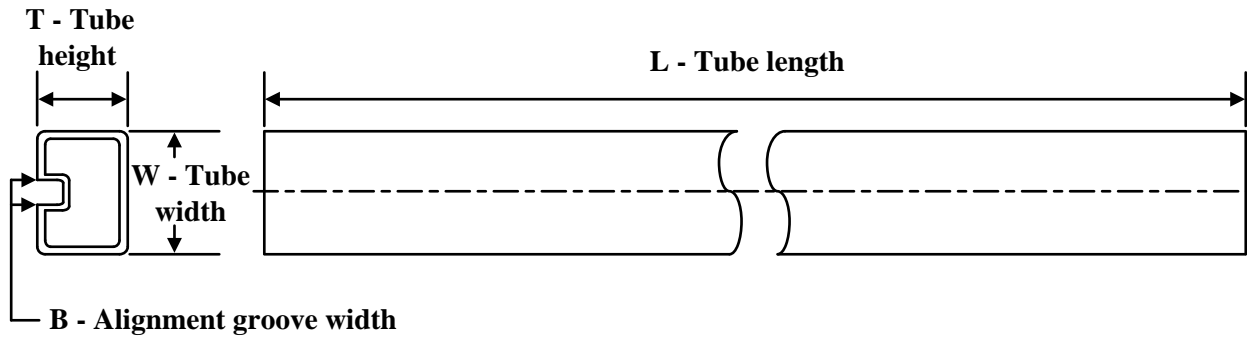
Device	Package Type	Package Drawing	Pins	SPQ	Reel Diameter (mm)	Reel Width W1 (mm)	A0 (mm)	B0 (mm)	K0 (mm)	P1 (mm)	W (mm)	Pin1 Quadrant
ISO1176DWR	SOIC	DW	16	2000	330.0	16.4	10.75	10.7	2.7	12.0	16.0	Q1

**TAPE AND REEL BOX DIMENSIONS**



\*All dimensions are nominal

Device	Package Type	Package Drawing	Pins	SPQ	Length (mm)	Width (mm)	Height (mm)
ISO1176DWR	SOIC	DW	16	2000	350.0	350.0	43.0

**TUBE**


\*All dimensions are nominal

Device	Package Name	Package Type	Pins	SPQ	L (mm)	W (mm)	T (μm)	B (mm)
ISO1176DW	DW	SOIC	16	40	506.98	12.7	4826	6.6
ISO1176DWG4	DW	SOIC	16	40	506.98	12.7	4826	6.6

## GENERIC PACKAGE VIEW

**DW 16**

**SOIC - 2.65 mm max height**

7.5 x 10.3, 1.27 mm pitch

SMALL OUTLINE INTEGRATED CIRCUIT

This image is a representation of the package family, actual package may vary.  
Refer to the product data sheet for package details.



4224780/A



# DW0016B

# PACKAGE OUTLINE SOIC - 2.65 mm max height

SOIC



4221009/B 07/2016

### NOTES:

1. All linear dimensions are in millimeters. Dimensions in parenthesis are for reference only. Dimensioning and tolerancing per ASME Y14.5M.
2. This drawing is subject to change without notice.
3. This dimension does not include mold flash, protrusions, or gate burrs. Mold flash, protrusions, or gate burrs shall not exceed 0.15 mm, per side.
4. This dimension does not include interlead flash. Interlead flash shall not exceed 0.25 mm, per side.
5. Reference JEDEC registration MS-013.

# EXAMPLE BOARD LAYOUT

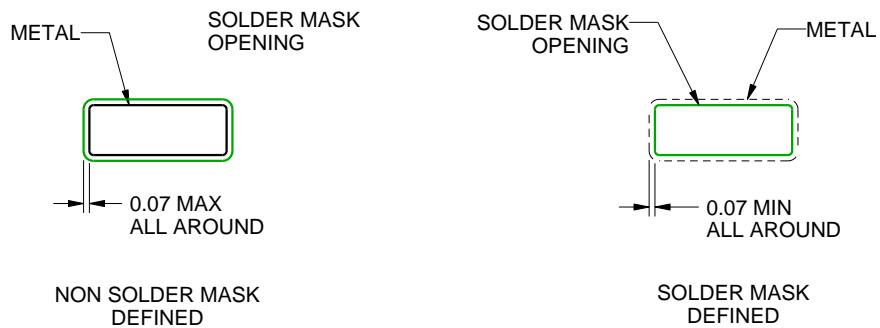
DW0016B

SOIC - 2.65 mm max height

SOIC



LAND PATTERN EXAMPLE  
SCALE:4X



SOLDER MASK DETAILS

4221009/B 07/2016

NOTES: (continued)

6. Publication IPC-7351 may have alternate designs.

7. Solder mask tolerances between and around signal pads can vary based on board fabrication site.

# EXAMPLE STENCIL DESIGN

DW0016B

SOIC - 2.65 mm max height

SOIC



NOTES: (continued)

8. Laser cutting apertures with trapezoidal walls and rounded corners may offer better paste release. IPC-7525 may have alternate design recommendations.
9. Board assembly site may have different recommendations for stencil design.



## 重要声明和免责声明

TI“按原样”提供技术和可靠性数据（包括数据表）、设计资源（包括参考设计）、应用或其他设计建议、网络工具、安全信息和其他资源，不保证没有瑕疵且不做任何明示或暗示的担保，包括但不限于对适销性、某特定用途方面的适用性或不侵犯任何第三方知识产权的暗示担保。

这些资源可供使用 TI 产品进行设计的熟练开发人员使用。您将自行承担以下全部责任：(1) 针对您的应用选择合适的 TI 产品，(2) 设计、验证并测试您的应用，(3) 确保您的应用满足相应标准以及任何其他功能安全、信息安全、监管或其他要求。

这些资源如有变更，恕不另行通知。TI 授权您仅可将这些资源用于研发本资源所述的 TI 产品的应用。严禁对这些资源进行其他复制或展示。您无权使用任何其他 TI 知识产权或任何第三方知识产权。您应全额赔偿因在这些资源的使用中对 TI 及其代表造成的任何索赔、损害、成本、损失和债务，TI 对此概不负责。

TI 提供的产品受 [TI 的销售条款](#) 或 [ti.com](#) 上其他适用条款/TI 产品随附的其他适用条款的约束。TI 提供这些资源并不会扩展或以其他方式更改 TI 针对 TI 产品发布的适用的担保或担保免责声明。

TI 反对并拒绝您可能提出的任何其他或不同的条款。

邮寄地址：Texas Instruments, Post Office Box 655303, Dallas, Texas 75265

Copyright © 2023，德州仪器 (TI) 公司

单击下面可查看定价，库存，交付和生命周期等信息

[>>TI\(德州仪器\)](#)