

SNx4HC273 具有清零功能的八路 D 类触发器

1 特性

- 2V 至 6V 的宽工作电压范围
- 输出可驱动多达 10 个 LSTTL 负载
- 低功耗， I_{CC} 最大值为 80 μ A
- t_{pd} 典型值 = 12 ns
- ± 4 mA 输出驱动 (在 5V 时)
- 低输入电流，上限值为 1 μ A
- 包含 8 个具有单轨输出的触发器
- 直接清零输入
- 为每个触发器提供单独的数据输入
- 对于符合 MIL-PRF-38535 标准的产品，所有参数均经过测试，除非另外注明。对于所有其他产品，生产流程不一定包含对所有参数的测试。

2 应用

- 缓冲或存储寄存器
- 移位寄存器
- 图形发生器

3 说明

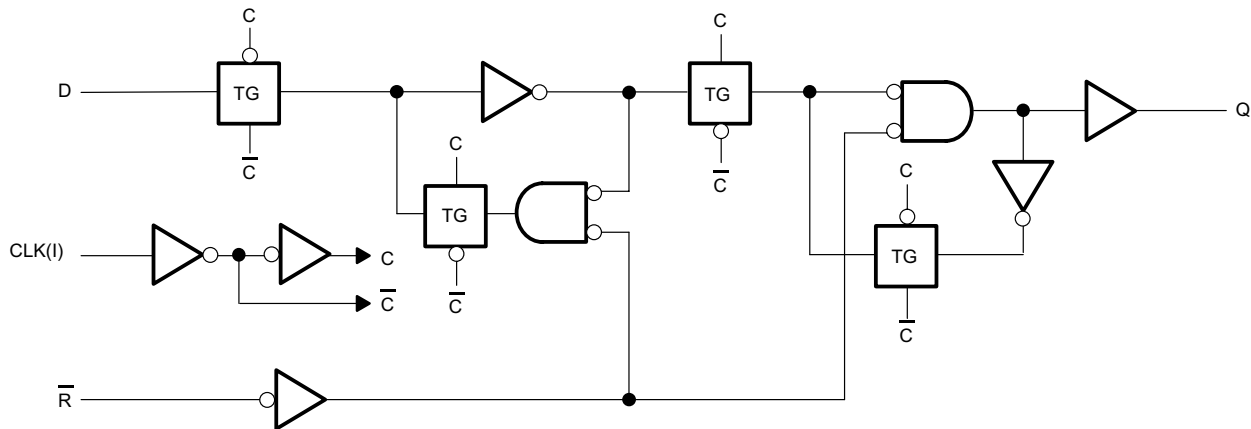
SNx4HC273 器件是具有直接低电平有效清零 (\overline{CLR}) 输入的正边沿触发式 D 类触发器。

数据 (D) 输入上满足设置时间要求的信息被发送到时钟 (CLK) 脉冲正向边沿上的 Q 输出。时钟触发在一个特定电压电平下发生，并且不与正向脉冲的转换时间直接相关。当 CLK 处于高电平或低电平时，D 输入对输出无影响。

器件信息⁽¹⁾

| 器件型号 | 封装 (引脚) | 封装尺寸 (标称值) |
|-------------|------------|--------------------|
| SN54HC273J | CDIP (20) | 24.20mm × 6.92mm |
| SN54HC273W | CFP (20) | 13.09 mm × 6.92 mm |
| SN54HC273FK | LCCC (20) | 8.89mm × 8.89mm |
| SN74HC273D | SOIC (20) | 12.80mm × 7.50mm |
| SN74HC273DB | SSOP (20) | 7.20mm × 5.30mm |
| SN74HC273NS | SO (20) | 12.60mm × 5.30mm |
| SN74HC273N | PDIP (20) | 24.33mm × 6.35mm |
| SN74HC273PW | TSSOP (20) | 6.50mm × 4.40mm |

(1) 如需了解所有可用封装，请参阅数据表末尾的可订购产品附录。



Copyright © 2016, Texas Instruments Incorporated

功能方框图

Table of Contents

| | | | |
|--|----|--|----|
| 1 特性 | 1 | 8 Detailed Description | 11 |
| 2 应用 | 1 | 8.1 Overview..... | 11 |
| 3 说明 | 1 | 8.2 Functional Block Diagram..... | 11 |
| 4 Revision History | 2 | 8.3 Feature Description..... | 11 |
| 5 Pin Configuration and Functions | 3 | 8.4 Device Functional Modes..... | 11 |
| 6 Specifications | 4 | 9 Application and Implementation | 12 |
| 6.1 Absolute Maximum Ratings..... | 4 | 9.1 Application Information..... | 12 |
| 6.2 ESD Ratings - SN74HC273..... | 4 | 9.2 Typical Application..... | 12 |
| 6.3 Recommended Operating Conditions..... | 4 | 10 Power Supply Recommendations | 14 |
| 6.4 Thermal Information..... | 5 | 11 Layout | 14 |
| 6.5 Electrical Characteristics..... | 5 | 11.1 Layout Guidelines..... | 14 |
| 6.6 Electrical Characteristics - SN54HC273..... | 5 | 11.2 Layout Example..... | 14 |
| 6.7 Electrical Characteristics - SN74HC273..... | 6 | 12 Device and Documentation Support | 15 |
| 6.8 Timing Requirements..... | 6 | 12.1 Documentation Support..... | 15 |
| 6.9 Timing Requirements - SN54HC273..... | 7 | 12.2 Related Links..... | 15 |
| 6.10 Timing Requirements - SN74HC273..... | 7 | 12.3 Receiving Notification of Documentation Updates.. | 15 |
| 6.11 Switching Characteristics..... | 8 | 12.4 支持资源..... | 15 |
| 6.12 Switching Characteristics - SN54HC273..... | 8 | 12.5 Trademarks..... | 15 |
| 6.13 Switching Characteristics - SN74HC273..... | 8 | 12.6 Electrostatic Discharge Caution..... | 15 |
| 6.14 Operating Characteristics..... | 9 | 12.7 术语表..... | 15 |
| 6.15 Typical Characteristics..... | 9 | 13 Mechanical, Packaging, and Orderable Information | 15 |
| 7 Parameter Measurement Information | 10 | | |

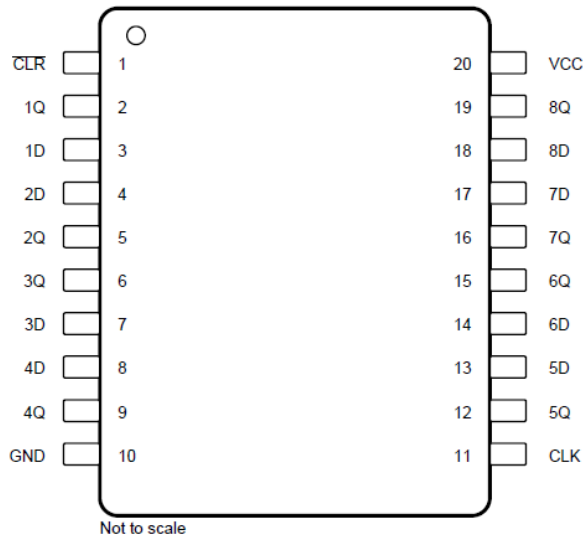
4 Revision History

注：以前版本的页码可能与当前版本的页码不同

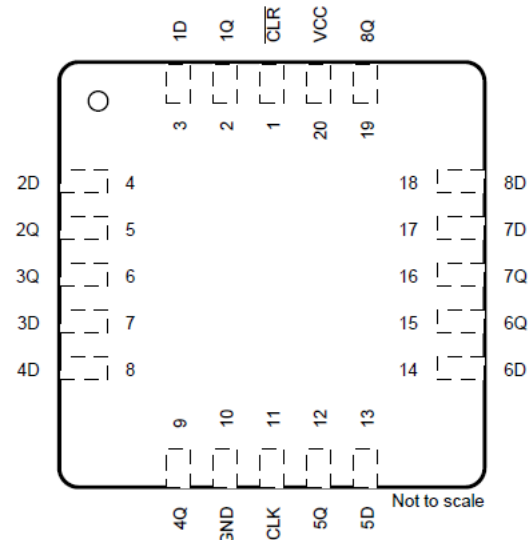
| Changes from Revision E (August 2003) to Revision F (April 2022) | Page |
|--|------|
| • Updated the ESD ratings table to fit modern standards..... | 4 |
| • Changed package thermal impedance, $R_{\theta JA}$, values from: 90.3 to: 122.7 (DB), from: 77.4 to: 109.1 (DW), from: 45.1 to: 84.6 (N), from: 72.6 to: 113.4 (NS), and from: 98.3 to: 131.8 (PW)..... | 5 |
| • Updated Power Supply Recommendations and Layout Guidelines sections to include current TI terminology... 14 | |

| Changes from Revision D (December 1982) to Revision E (July 2016) | Page |
|---|------|
| • 添加了器件信息表、ESD 等级表、特性说明部分、器件功能模式、应用和实施部分、电源相关建议部分、布局部分、器件和文档支持部分以及机械、封装和可订购信息部分。..... | 1 |
| • 删除了订购信息表，请参阅数据表末尾的 POA..... | 1 |
| • 向特性中添加了“军用免责声明”..... | 1 |

5 Pin Configuration and Functions



**J, W, DB, DW N, NS, or PW Package,
20-Pin CDIP, CFP, SSOP, SOIC, SO, PDIP, or TSSOP
(Top View)**



**FK Package,
20-Pin LCCC
(Top View)**

表 5-1. Pin Functions

| PIN | | TYPE ⁽¹⁾ | DESCRIPTION |
|-----|-----------------|---------------------|------------------------|
| NO. | NAME | | |
| 1 | CLR | I | Active low clear input |
| 2 | 1Q | O | Output 1 |
| 3 | 1D | I | Input 1 |
| 4 | 2D | I | Input 2 |
| 5 | 2Q | O | Output 2 |
| 6 | 3Q | O | Output 3 |
| 7 | 3D | I | Input 3 |
| 8 | 4D | I | Input 4 |
| 9 | 4Q | O | Output 4 |
| 10 | GND | — | Ground |
| 11 | CLK | I | Clock input |
| 12 | 5Q | O | Output 5 |
| 13 | 5D | I | Input 5 |
| 14 | 6D | I | Input 6 |
| 15 | 6Q | O | Output 6 |
| 16 | 7Q | O | Output 7 |
| 17 | 7D | I | Input 7 |
| 18 | 8D | I | Input 8 |
| 19 | 8Q | O | Output 8 |
| 20 | V _{CC} | — | Power |

(1) Signal Types: I = Input, O = Output, I/O = Input or Output.

6 Specifications

6.1 Absolute Maximum Ratings

over operating free-air temperature range (unless otherwise noted)⁽¹⁾

| | | | MIN | MAX | UNIT |
|------------------|---|--|-------|-----|------|
| V _{CC} | Supply voltage | | - 0.5 | 7 | V |
| I _{IK} | Input clamp current ⁽²⁾ | V _I < 0 or V _I > V _{CC} | | ±20 | mA |
| I _{OK} | Output clamp current ⁽²⁾ | V _O < 0 or V _O > V _{CC} | | ±20 | mA |
| I _O | Continuous output current | V _O = 0 to V _{CC} | | ±25 | mA |
| | Continuous current through V _{CC} or GND | | | ±50 | mA |
| T _J | Junction temperature | | | 150 | °C |
| T _{stg} | Storage temperature | | - 65 | 150 | °C |

- (1) Stresses beyond those listed under *Absolute Maximum Ratings* may cause permanent damage to the device. These are stress ratings only, and functional operation of the device at these or any other conditions beyond those indicated under *Recommended Operating Conditions* is not implied. Exposure to absolute-maximum-rated conditions for extended periods may affect device reliability.
- (2) The input and output voltage ratings may be exceeded if the input and output current ratings are observed.

6.2 ESD Ratings - SN74HC273

| | | | VALUE | UNIT |
|--------------------|-------------------------|---|-------|------|
| V _(ESD) | Electrostatic discharge | Human-body model (HBM), per ANSI/ESDA/JEDEC JS-001 ⁽¹⁾ | ±2000 | V |
| | | Charged device model (CDM), per ANSI/ESDA/JEDEC JS-002 ⁽²⁾ | ±500 | |

- (1) JEDEC document JEP155 states that 500-V HBM allows safe manufacturing with a standard ESD control process. Manufacturing with less than 500-V HBM is possible with the necessary precautions.
- (2) JEDEC document JEP157 states that 250-V CDM allows safe manufacturing with a standard ESD control process. Manufacturing with less than 250-V CDM is possible with the necessary precautions.

6.3 Recommended Operating Conditions

over operating free-air temperature range (unless otherwise noted)⁽¹⁾

| | | | MIN | NOM | MAX | UNIT |
|-----------------|-------------------------------------|-------------------------|------|-----|-----------------|------|
| V _{CC} | Supply voltage | | 2 | 5 | 6 | V |
| V _{IH} | High-level input voltage | V _{CC} = 2 V | 1.5 | | | V |
| | | V _{CC} = 4.5 V | 3.15 | | | |
| | | V _{CC} = 6 V | 4.2 | | | |
| V _{IL} | Low-level input voltage | V _{CC} = 2 V | | | 0.5 | V |
| | | V _{CC} = 4.5 V | | | 1.35 | |
| | | V _{CC} = 6 V | | | 1.8 | |
| V _I | Input voltage | | 0 | | V _{CC} | V |
| V _O | Output voltage | | 0 | | V _{CC} | V |
| Δt/Δv | Input transition rise and fall time | V _{CC} = 2 V | | | 1000 | ns |
| | | V _{CC} = 4.5 V | | | 500 | |
| | | V _{CC} = 6 V | | | 400 | |
| T _A | Operating free-air temperature | SN54HC273 | - 55 | | 125 | °C |
| | | SN74HC273 | - 40 | | 85 | |

- (1) All unused inputs of the device must be held at V_{CC} or GND to ensure proper device operation. Refer to the TI application report, [Implications of Slow or Floating CMOS Inputs](#).

6.4 Thermal Information

| THERMAL METRIC | | SN74HC273 | | | | | UNIT |
|----------------------|---|-----------|-----------|----------|---------|------------|------|
| | | DW (SOIC) | DB (SSOP) | N (PDIP) | NS (SO) | PW (TSSOP) | |
| | | 20 PINS | 20 PINS | 20 PINS | 20 PINS | 20 PINS | |
| $R_{\theta JA}$ | Junction-to-ambient thermal resistance ⁽¹⁾ | 109.1 | 122.7 | 84.6 | 113.4 | 131.8 | °C/W |
| $R_{\theta JC(top)}$ | Junction-to-case (top) thermal resistance | 76 | 81.6 | 72.5 | 78.6 | 72.2 | °C/W |
| $R_{\theta JB}$ | Junction-to-board thermal resistance | 77.6 | 77.5 | 65.3 | 78.4 | 82.8 | °C/W |
| Ψ_{JT} | Junction-to-top characterization parameter | 51.5 | 46.1 | 55.3 | 47.1 | 21.5 | °C/W |
| Ψ_{JB} | Junction-to-board characterization parameter | 77.1 | 77.1 | 65.2 | 78.1 | 82.4 | °C/W |
| $R_{\theta JC(bot)}$ | Junction-to-case (bottom) thermal resistance | N/A | N/A | N/A | N/A | N/A | °C/W |

(1) For more information about traditional and new thermal metrics, see [Semiconductor and IC Package Thermal Metrics](#).

6.5 Electrical Characteristics

$T_A = 25^\circ\text{C}$ (unless otherwise noted)

| PARAMETER | TEST CONDITIONS | | MIN | TYP | MAX | UNIT |
|-----------|---|--|--------------------------|-----------|-----------|---------------|
| V_{OH} | $V_I = V_{IH}$ or V_{IL} | $I_{OH} = -20 \mu\text{A}$ | $V_{CC} = 2 \text{ V}$ | 1.9 | 1.998 | V |
| | | | $V_{CC} = 4.5 \text{ V}$ | 4.4 | 4.499 | |
| | | | $V_{CC} = 6 \text{ V}$ | 5.9 | 5.999 | |
| | | $I_{OH} = -4 \text{ mA}, V_{CC} = 4.5 \text{ V}$ | 3.98 | 4.3 | | |
| | | $I_{OH} = -5.2 \text{ mA}, V_{CC} = 6 \text{ V}$ | 5.48 | 5.8 | | |
| V_{OL} | $V_I = V_{IH}$ or V_{IL} | $I_{OL} = 20 \mu\text{A}$ | $V_{CC} = 2 \text{ V}$ | 0.002 | 0.1 | V |
| | | | $V_{CC} = 4.5 \text{ V}$ | 0.001 | 0.1 | |
| | | | $V_{CC} = 6 \text{ V}$ | 0.001 | 0.1 | |
| | | $I_{OL} = 4 \text{ mA}, V_{CC} = 4.5 \text{ V}$ | 0.17 | 0.26 | | |
| | | $I_{OL} = 5.2 \text{ mA}, V_{CC} = 6 \text{ V}$ | 0.15 | 0.26 | | |
| I_I | $V_I = V_{CC}$ or 0, $V_{CC} = 6 \text{ V}$ | | | ± 0.1 | ± 100 | nA |
| I_{CC} | $V_I = V_{CC}$ or 0, $I_O = 0$, $V_{CC} = 6 \text{ V}$ | | | | 8 | μA |
| C_I | $V_{CC} = 2 \text{ V}$ to 6 V | | | 3 | 10 | pF |

6.6 Electrical Characteristics - SN54HC273

over recommended operating free-air temperature range (unless otherwise noted)

| PARAMETER | TEST CONDITIONS | | MIN | TYP | MAX | UNIT |
|-----------|---|--|--------------------------|-----|------------|---------------|
| V_{OH} | $V_I = V_{IH}$ or V_{IL} | $I_{OH} = -20 \mu\text{A}$ | $V_{CC} = 2 \text{ V}$ | 1.9 | | V |
| | | | $V_{CC} = 4.5 \text{ V}$ | 4.4 | | |
| | | | $V_{CC} = 6 \text{ V}$ | 5.9 | | |
| | | $I_{OH} = -4 \text{ mA}, V_{CC} = 4.5 \text{ V}$ | 3.7 | | | |
| | | $I_{OH} = -5.2 \text{ mA}, V_{CC} = 6 \text{ V}$ | 5.2 | | | |
| V_{OL} | $V_I = V_{IH}$ or V_{IL} | $I_{OL} = 20 \mu\text{A}$ | $V_{CC} = 2 \text{ V}$ | | 0.1 | V |
| | | | $V_{CC} = 4.5 \text{ V}$ | | 0.1 | |
| | | | $V_{CC} = 6 \text{ V}$ | | 0.1 | |
| | | $I_{OL} = 4 \text{ mA}, V_{CC} = 4.5 \text{ V}$ | | 0.4 | | |
| | | $I_{OL} = 5.2 \text{ mA}, V_{CC} = 6 \text{ V}$ | | 0.4 | | |
| I_I | $V_I = V_{CC}$ or 0, $V_{CC} = 6 \text{ V}$ | | | | ± 1000 | nA |
| I_{CC} | $V_I = V_{CC}$ or 0, $I_O = 0$, $V_{CC} = 6 \text{ V}$ | | | | 160 | μA |

6.6 Electrical Characteristics - SN54HC273 (continued)

over recommended operating free-air temperature range (unless otherwise noted)

| PARAMETER | TEST CONDITIONS | MIN | TYP | MAX | UNIT |
|-----------|-------------------------------------|-----|-----|-----|------|
| C_i | $V_{CC} = 2\text{ V to }6\text{ V}$ | | | 10 | pF |

6.7 Electrical Characteristics - SN74HC273

over recommended operating free-air temperature range (unless otherwise noted)

| PARAMETER | TEST CONDITIONS | MIN | TYP | MAX | UNIT |
|-----------|--|--|-------------------------|------------|---------------|
| V_{OH} | $V_I = V_{IH}\text{ or }V_{IL}$ | $I_{OH} = -20\ \mu\text{A}$ | $V_{CC} = 2\text{ V}$ | 1.9 | V |
| | | | $V_{CC} = 4.5\text{ V}$ | 4.4 | |
| | | | $V_{CC} = 6\text{ V}$ | 5.9 | |
| | | $I_{OH} = -4\text{ mA}, V_{CC} = 4.5\text{ V}$ | | 3.84 | |
| | | $I_{OH} = -5.2\text{ mA}, V_{CC} = 6\text{ V}$ | | 5.34 | |
| V_{OL} | $V_I = V_{IH}\text{ or }V_{IL}$ | $I_{OL} = 20\ \mu\text{A}$ | $V_{CC} = 2\text{ V}$ | 0.1 | V |
| | | | $V_{CC} = 4.5\text{ V}$ | 0.1 | |
| | | | $V_{CC} = 6\text{ V}$ | 0.1 | |
| | | $I_{OL} = 4\text{ mA}, V_{CC} = 4.5\text{ V}$ | | 0.33 | |
| | | $I_{OL} = 5.2\text{ mA}, V_{CC} = 6\text{ V}$ | | 0.33 | |
| I_I | $V_I = V_{CC}\text{ or }0, V_{CC} = 6\text{ V}$ | | | ± 1000 | nA |
| I_{CC} | $V_I = V_{CC}\text{ or }0, I_O = 0, V_{CC} = 6\text{ V}$ | | | 80 | μA |
| C_i | $V_{CC} = 2\text{ V to }6\text{ V}$ | | | 10 | pF |

6.8 Timing Requirements

$T_A = 25^\circ\text{C}$ (unless otherwise noted)

| | | MIN | MAX | UNIT |
|--------------------|--------------------------------------|-------------------------|-----|------|
| f_{clock} | Clock frequency | $V_{CC} = 2\text{ V}$ | 5 | MHz |
| | | $V_{CC} = 4.5\text{ V}$ | 27 | |
| | | $V_{CC} = 6\text{ V}$ | 32 | |
| t_w | CLR low | $V_{CC} = 2\text{ V}$ | 80 | ns |
| | | $V_{CC} = 4.5\text{ V}$ | 16 | |
| | | $V_{CC} = 6\text{ V}$ | 14 | |
| | CLK high or low | $V_{CC} = 2\text{ V}$ | 80 | |
| | | $V_{CC} = 4.5\text{ V}$ | 16 | |
| | | $V_{CC} = 6\text{ V}$ | 14 | |
| t_{su} | Data | $V_{CC} = 2\text{ V}$ | 100 | ns |
| | | $V_{CC} = 4.5\text{ V}$ | 20 | |
| | | $V_{CC} = 6\text{ V}$ | 17 | |
| | CLR inactive | $V_{CC} = 2\text{ V}$ | 100 | |
| | | $V_{CC} = 4.5\text{ V}$ | 20 | |
| | | $V_{CC} = 6\text{ V}$ | 17 | |
| t_h | Hold time, data after CLK \uparrow | $V_{CC} = 2\text{ V}$ | 0 | ns |
| | | $V_{CC} = 4.5\text{ V}$ | 0 | |
| | | $V_{CC} = 6\text{ V}$ | 0 | |

6.9 Timing Requirements - SN54HC273

over recommended operating free-air temperature range (unless otherwise noted)

| | | | MIN | MAX | UNIT |
|--------------------|-----------------------------|-------------------------|-------------------------|-----|------|
| f _{clock} | Clock frequency | V _{CC} = 2 V | | 4 | MHz |
| | | V _{CC} = 4.5 V | | 18 | |
| | | V _{CC} = 6 V | | 21 | |
| t _w | Pulse duration | CLR low | V _{CC} = 2 V | 120 | ns |
| | | | V _{CC} = 4.5 V | 24 | |
| | | | V _{CC} = 6 V | 20 | |
| | CLK high or low | V _{CC} = 2 V | 120 | | |
| | | V _{CC} = 4.5 V | 24 | | |
| | | V _{CC} = 6 V | 20 | | |
| t _{su} | Setup time before CLK ↑ | Data | V _{CC} = 2 V | 150 | ns |
| | | | V _{CC} = 4.5 V | 30 | |
| | | | V _{CC} = 6 V | 25 | |
| | CLR inactive | V _{CC} = 2 V | 150 | | |
| | | V _{CC} = 4.5 V | 30 | | |
| | | V _{CC} = 6 V | 25 | | |
| t _h | Hold time, data after CLK ↑ | V _{CC} = 2 V | 0 | ns | |
| | | V _{CC} = 4.5 V | 0 | | |
| | | V _{CC} = 6 V | 0 | | |

6.10 Timing Requirements - SN74HC273

over recommended operating free-air temperature range (unless otherwise noted)

| | | | MIN | MAX | UNIT |
|--------------------|-----------------------------|-------------------------|-------------------------|-----|------|
| f _{clock} | Clock frequency | V _{CC} = 2 V | | 4 | MHz |
| | | V _{CC} = 4.5 V | | 21 | |
| | | V _{CC} = 6 V | | 25 | |
| t _w | Pulse duration | CLR low | V _{CC} = 2 V | 100 | ns |
| | | | V _{CC} = 4.5 V | 20 | |
| | | | V _{CC} = 6 V | 17 | |
| | CLK high or low | V _{CC} = 2 V | 100 | | |
| | | V _{CC} = 4.5 V | 20 | | |
| | | V _{CC} = 6 V | 17 | | |
| t _{su} | Setup time before CLK ↑ | Data | V _{CC} = 2 V | 125 | ns |
| | | | V _{CC} = 4.5 V | 25 | |
| | | | V _{CC} = 6 V | 21 | |
| | CLR inactive | V _{CC} = 2 V | 125 | | |
| | | V _{CC} = 4.5 V | 25 | | |
| | | V _{CC} = 6 V | 21 | | |
| t _h | Hold time, data after CLK ↑ | V _{CC} = 2 V | 0 | ns | |
| | | V _{CC} = 4.5 V | 0 | | |
| | | V _{CC} = 6 V | 0 | | |

6.11 Switching Characteristics

$T_A = 25^\circ\text{C}$ and $C_L = 50\text{ pF}$ (unless otherwise noted; see [图 7-1](#))

| PARAMETER | TEST CONDITIONS | MIN | TYP | MAX | UNIT | |
|------------------|--|-------------------------|-----|-----|------|----|
| f_{\max} | | $V_{CC} = 2\text{ V}$ | 5 | 11 | MHz | |
| | | $V_{CC} = 4.5\text{ V}$ | 27 | 50 | | |
| | | $V_{CC} = 6\text{ V}$ | 32 | 60 | | |
| t_{PHL} | From $\overline{\text{CLR}}$ (input) to any (output) | $V_{CC} = 2\text{ V}$ | | 55 | 160 | ns |
| | | $V_{CC} = 4.5\text{ V}$ | | 15 | 32 | |
| | | $V_{CC} = 6\text{ V}$ | | 12 | 27 | |
| t_{pd} | From CLK (input) to any (output) | $V_{CC} = 2\text{ V}$ | | 56 | 160 | ns |
| | | $V_{CC} = 4.5\text{ V}$ | | 15 | 32 | |
| | | $V_{CC} = 6\text{ V}$ | | 13 | 27 | |
| t_t | To any (output) | $V_{CC} = 2\text{ V}$ | | 38 | 75 | ns |
| | | $V_{CC} = 4.5\text{ V}$ | | 8 | 15 | |
| | | $V_{CC} = 6\text{ V}$ | | 6 | 13 | |

6.12 Switching Characteristics - SN54HC273

over recommended operating free-air temperature range, $C_L = 50\text{ pF}$ (unless otherwise noted; see [图 7-1](#))

| PARAMETER | TEST CONDITIONS | MIN | MAX | UNIT | |
|------------------|----------------------------------|-------------------------|-----|------|----|
| f_{\max} | | $V_{CC} = 2\text{ V}$ | 4 | MHz | |
| | | $V_{CC} = 4.5\text{ V}$ | 18 | | |
| | | $V_{CC} = 6\text{ V}$ | 21 | | |
| t_{PHL} | From CLR (input) to any (output) | $V_{CC} = 2\text{ V}$ | | 240 | ns |
| | | $V_{CC} = 4.5\text{ V}$ | | 48 | |
| | | $V_{CC} = 6\text{ V}$ | | 41 | |
| t_{pd} | From CLK (input) to any (output) | $V_{CC} = 2\text{ V}$ | | 240 | ns |
| | | $V_{CC} = 4.5\text{ V}$ | | 48 | |
| | | $V_{CC} = 6\text{ V}$ | | 41 | |
| t_t | To any (output) | $V_{CC} = 2\text{ V}$ | | 110 | ns |
| | | $V_{CC} = 4.5\text{ V}$ | | 22 | |
| | | $V_{CC} = 6\text{ V}$ | | 19 | |

6.13 Switching Characteristics - SN74HC273

over recommended operating free-air temperature range, $C_L = 50\text{ pF}$ (unless otherwise noted; see [图 7-1](#))

| PARAMETER | TEST CONDITIONS | MIN | MAX | UNIT | |
|------------------|--|-------------------------|-----|------|----|
| f_{\max} | | $V_{CC} = 2\text{ V}$ | 4 | MHz | |
| | | $V_{CC} = 4.5\text{ V}$ | 21 | | |
| | | $V_{CC} = 6\text{ V}$ | 25 | | |
| t_{PHL} | From $\overline{\text{CLR}}$ (input) to any (output) | $V_{CC} = 2\text{ V}$ | | 200 | ns |
| | | $V_{CC} = 4.5\text{ V}$ | | 40 | |
| | | $V_{CC} = 6\text{ V}$ | | 34 | |
| t_{pd} | From CLK (input) to any (output) | $V_{CC} = 2\text{ V}$ | | 200 | ns |
| | | $V_{CC} = 4.5\text{ V}$ | | 40 | |
| | | $V_{CC} = 6\text{ V}$ | | 34 | |

6.13 Switching Characteristics - SN74HC273 (continued)

over recommended operating free-air temperature range, $C_L = 50$ pF (unless otherwise noted; see [Figure 7-1](#))

| PARAMETER | TEST CONDITIONS | MIN | MAX | UNIT |
|-----------|-----------------|------------------|-----|------|
| t_t | To any (output) | $V_{CC} = 2$ V | 95 | ns |
| | | $V_{CC} = 4.5$ V | 19 | |
| | | $V_{CC} = 6$ V | 16 | |

6.14 Operating Characteristics

$T_A = 25^\circ\text{C}$

| PARAMETER | TEST CONDITIONS | TYP | UNIT |
|--|-----------------|-----|------|
| C_{pd} Power dissipation capacitance per flip-flop | No load | 35 | pF |

6.15 Typical Characteristics

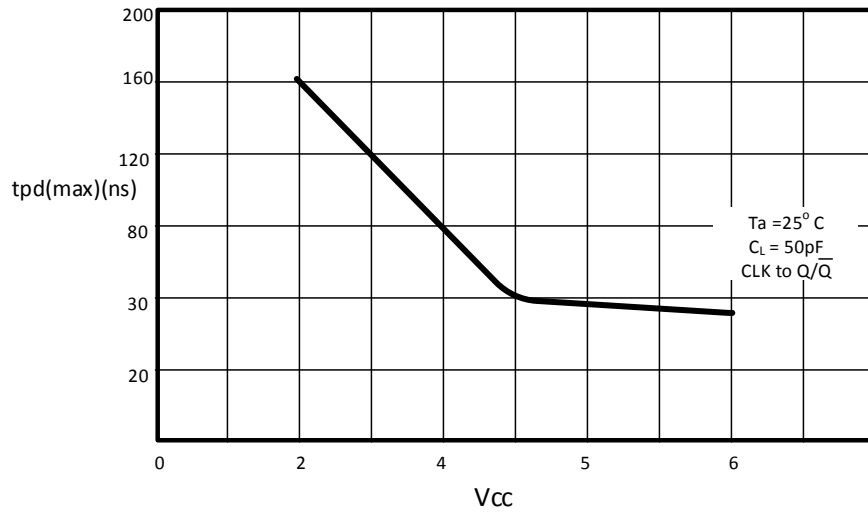
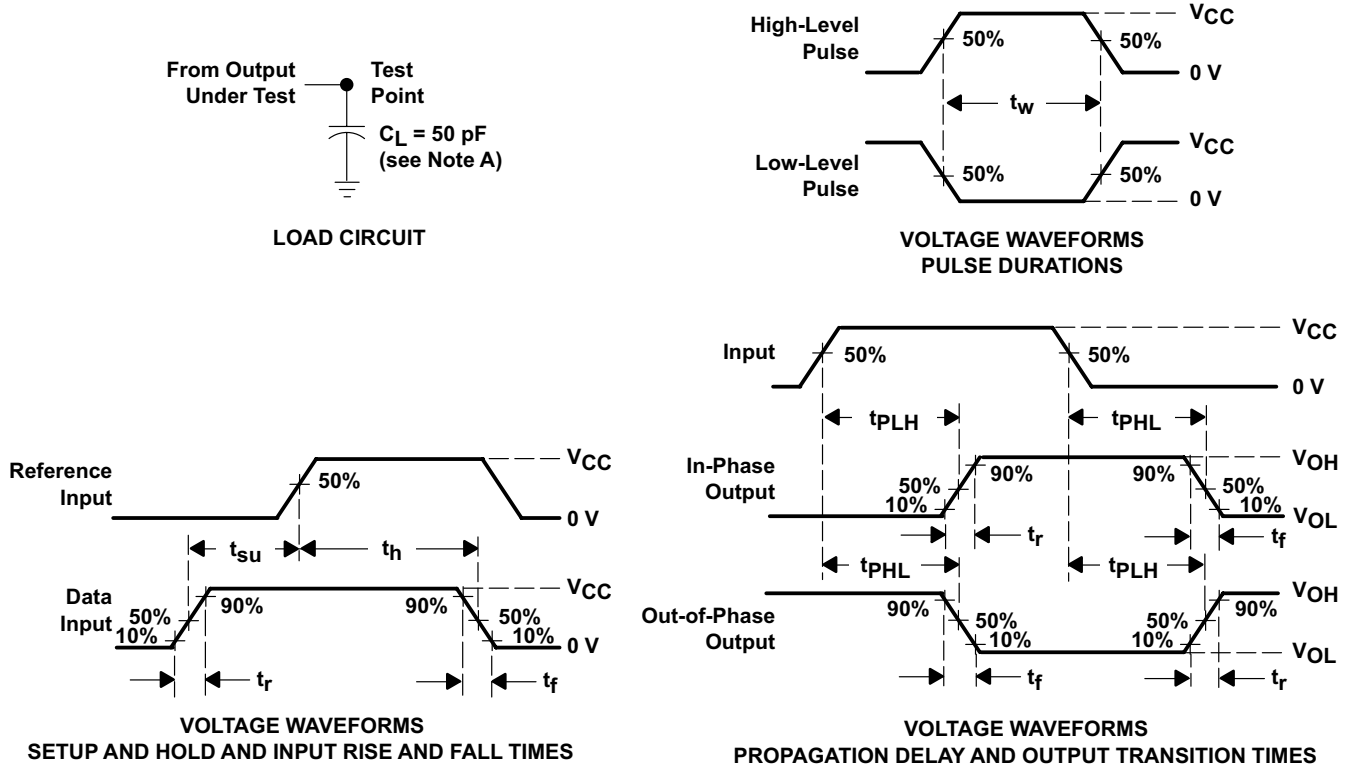


图 6-1. Max t_{pd} vs V_{CC}

7 Parameter Measurement Information



- NOTES: A. C_L includes probe and test-fixture capacitance.
 B. Phase relationships between waveforms were chosen arbitrarily. All input pulses are supplied by generators having the following characteristics: $PRR \leq 1$ MHz, $Z_O = 50 \Omega$, $t_r = 6$ ns, $t_f = 6$ ns.
 C. For clock inputs, f_{max} is measured when the input duty cycle is 50%.
 D. The outputs are measured one at a time with one input transition per measurement.
 E. t_{PLH} and t_{PHL} are the same as t_{pd} .

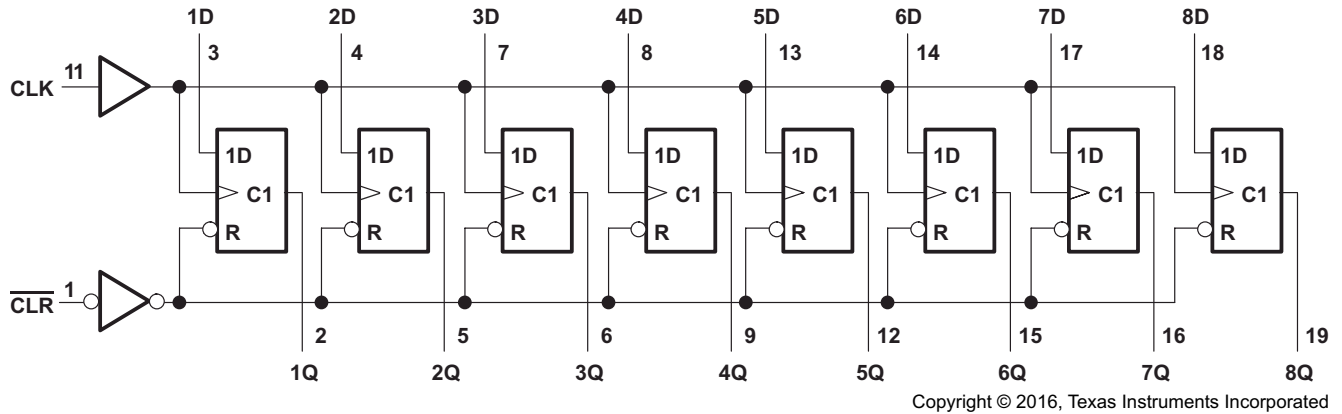
图 7-1. Load Circuit and Voltage Waveforms

8 Detailed Description

8.1 Overview

The SNx4HC273 contains eight flip-flops with single-rail outputs with individual data input to each flip-flop. The outputs can drive up to 10 LSTTL loads. The device has direct active low clear input.

8.2 Functional Block Diagram



8.3 Feature Description

The SNx4HC273 has low power consumption with a maximum I_{CC} of 80 μ A.

The typical t_{pd} for the SNx4HC273 is 12 ns and the output drive is ± 4 mA at 5 V.

The SNx4HC273 also has very low input current, with the maximum set at 1 μ A.

8.4 Device Functional Modes

表 8-1 lists the functional modes of the SNx4HC273.

**表 8-1. Function Table
(Each Flip-Flop)**

| INPUTS | | | OUTPUT Q |
|--------|-----|---|-------------|
| CLR | CLK | D | |
| L | X | X | L |
| H | ↑ | H | H |
| H | ↑ | L | L |
| H | L | X | Q_0 |

9 Application and Implementation

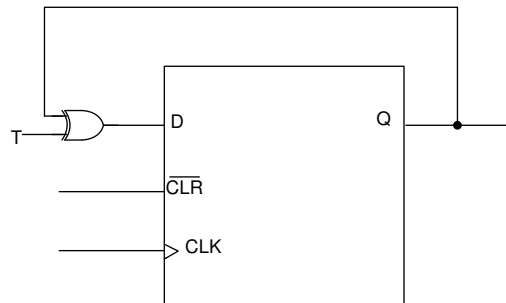
备注

以下应用部分中的信息不属于 TI 器件规格的范围，TI 不担保其准确性和完整性。TI 的客户应负责确定器件是否适用于其应用。客户应验证并测试其设计，以确保系统功能。

9.1 Application Information

The SNx4HC273 is octal D Flip flop with active low clear input. It has low input current and low power consumption. The D flip-flop can be used as a Toggle flip flop using an XOR gate at the input. The output toggles from the previous state whenever the T input is high.

9.2 Typical Application



Copyright © 2016, Texas Instruments Incorporated

9.2.1 Design Requirements

This SNx4Hc273 device uses CMOS technology and has balanced output drive.

9.2.2 Detailed Design Procedure

- Recommended input conditions:
 - Rise time and fall time specifications: see ($\Delta t / \Delta V$) in [Recommended Operating Conditions](#).
 - Specified high and low levels: see (V_{IH} and V_{IL}) in [Recommended Operating Conditions](#).
 - Inputs are not overvoltage tolerant and must not be above any valid V_{CC} as per [Recommended Operating Conditions](#).
- Absolute maximum output conditions:
 - Continuous output currents must not exceed (I_O max) per output and must not exceed total current (continuous current through V_{CC} or GND) for the part. These limits are located in the [Absolute Maximum Ratings](#).
 - Outputs must not be pulled above V_{CC} .

9.2.3 Application Curve

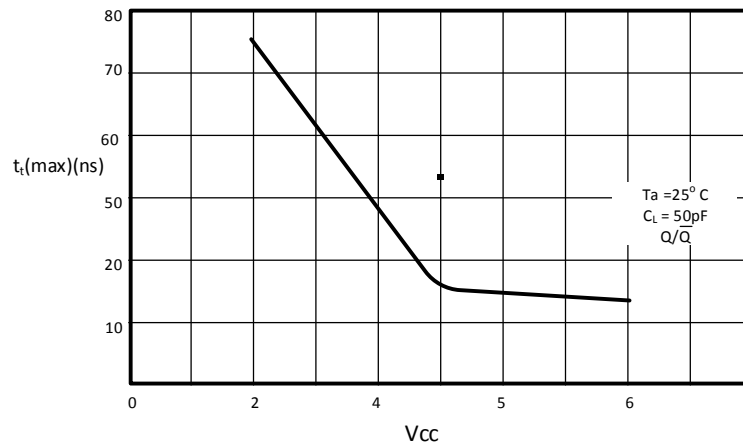


图 9-1. Maximum Transition Time vs V_{CC}

10 Power Supply Recommendations

The power supply can be any voltage between the minimum and maximum supply voltage rating located in the *Recommended Operating Conditions*. Each V_{CC} terminal should have a good bypass capacitor to prevent power disturbance. A 0.1- μ F capacitor is recommended for this device. It is acceptable to parallel multiple bypass caps to reject different frequencies of noise. The 0.1- μ F and 1- μ F capacitors are commonly used in parallel. The bypass capacitor should be installed as close to the power terminal as possible for best results.

11 Layout

11.1 Layout Guidelines

When using multiple-input and multiple-channel logic devices inputs must not ever be left floating. In many cases, functions or parts of functions of digital logic devices are unused; for example, when only two inputs of a triple-input AND gate are used or only 3 of the 4 buffer gates are used. Such unused input pins must not be left unconnected because the undefined voltages at the outside connections result in undefined operational states. All unused inputs of digital logic devices must be connected to a logic high or logic low voltage, as defined by the input voltage specifications, to prevent them from floating. The logic level that must be applied to any particular unused input depends on the function of the device. Generally, the inputs are tied to GND or V_{CC} , whichever makes more sense for the logic function or is more convenient.

11.2 Layout Example

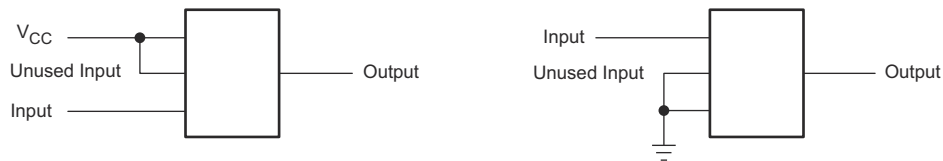


图 11-1. SNx4HC273 Layout

12 Device and Documentation Support

12.1 Documentation Support

12.1.1 Related Documentation

For related documentation, see the following:

- Texas Instruments, [Implications of Slow or Floating CMOS Inputs application report](#)

12.2 Related Links

The table below lists quick access links. Categories include technical documents, support and community resources, tools and software, and quick access to sample or buy.

表 12-1. Related Links

| PARTS | PRODUCT FOLDER | SAMPLE & BUY | TECHNICAL DOCUMENTS | TOOLS & SOFTWARE | SUPPORT & COMMUNITY |
|-----------|----------------------------|----------------------------|----------------------------|----------------------------|----------------------------|
| SN54HC273 | Click here | Click here | Click here | Click here | Click here |
| SN74HC273 | Click here | Click here | Click here | Click here | Click here |

12.3 Receiving Notification of Documentation Updates

To receive notification of documentation updates, navigate to the device product folder on ti.com. In the upper right corner, click on *Alert me* to register and receive a weekly digest of any product information that has changed. For change details, review the revision history included in any revised document.

12.4 支持资源

TI E2E™ 支持论坛是工程师的重要参考资料，可直接从专家获得快速、经过验证的解答和设计帮助。搜索现有解答或提出自己的问题可获得所需的快速设计帮助。

链接的内容由各个贡献者“按原样”提供。这些内容并不构成 TI 技术规范，并且不一定反映 TI 的观点；请参阅 TI 的《使用条款》。

12.5 Trademarks

TI E2E™ is a trademark of Texas Instruments.
 所有商标均为其各自所有者的财产。

12.6 Electrostatic Discharge Caution



This integrated circuit can be damaged by ESD. Texas Instruments recommends that all integrated circuits be handled with appropriate precautions. Failure to observe proper handling and installation procedures can cause damage.

ESD damage can range from subtle performance degradation to complete device failure. Precision integrated circuits may be more susceptible to damage because very small parametric changes could cause the device not to meet its published specifications.

12.7 术语表

TI 术语表 本术语表列出并解释了术语、首字母缩略词和定义。

13 Mechanical, Packaging, and Orderable Information

The following pages include mechanical packaging and orderable information. This information is the most current data available for the designated devices. This data is subject to change without notice and revision of this document. For browser based versions of this data sheet, refer to the left hand navigation.

PACKAGING INFORMATION

| Orderable Device | Status (1) | Package Type | Package Drawing | Pins | Package Qty | Eco Plan (2) | Lead finish/ Ball material (6) | MSL Peak Temp (3) | Op Temp (°C) | Device Marking (4/5) | Samples |
|------------------|---------------|--------------|-----------------|------|-------------|------------------|--------------------------------------|----------------------|--------------|-------------------------------------|-------------------------|
| 5962-8409901VRA | ACTIVE | CDIP | J | 20 | 20 | Non-RoHS & Green | SNPB | N / A for Pkg Type | -55 to 125 | 5962-8409901VRA A SNV54HC273J | Samples |
| 5962-8409901VSA | ACTIVE | CFP | W | 20 | 25 | Non-RoHS & Green | SNPB | N / A for Pkg Type | -55 to 125 | 5962-8409901VSA A SNV54HC273W | Samples |
| 84099012A | ACTIVE | LCCC | FK | 20 | 55 | Non-RoHS & Green | SNPB | N / A for Pkg Type | -55 to 125 | 84099012A SNJ54HC 273FK | Samples |
| 8409901RA | ACTIVE | CDIP | J | 20 | 20 | Non-RoHS & Green | SNPB | N / A for Pkg Type | -55 to 125 | 8409901RA SNJ54HC273J | Samples |
| 8409901SA | ACTIVE | CFP | W | 20 | 25 | Non-RoHS & Green | SNPB | N / A for Pkg Type | -55 to 125 | 8409901SA SNJ54HC273W | Samples |
| JM38510/65601BRA | ACTIVE | CDIP | J | 20 | 20 | Non-RoHS & Green | SNPB | N / A for Pkg Type | -55 to 125 | JM38510/ 65601BRA | Samples |
| JM38510/65601BSA | ACTIVE | CFP | W | 20 | 25 | Non-RoHS & Green | SNPB | N / A for Pkg Type | -55 to 125 | JM38510/ 65601BSA | Samples |
| M38510/65601BRA | ACTIVE | CDIP | J | 20 | 20 | Non-RoHS & Green | SNPB | N / A for Pkg Type | -55 to 125 | JM38510/ 65601BRA | Samples |
| M38510/65601BSA | ACTIVE | CFP | W | 20 | 25 | Non-RoHS & Green | SNPB | N / A for Pkg Type | -55 to 125 | JM38510/ 65601BSA | Samples |
| SN54HC273J | ACTIVE | CDIP | J | 20 | 20 | Non-RoHS & Green | SNPB | N / A for Pkg Type | -55 to 125 | SN54HC273J | Samples |
| SN74HC273DBR | ACTIVE | SSOP | DB | 20 | 2000 | RoHS & Green | NIPDAU | Level-1-260C-UNLIM | -40 to 85 | HC273 | Samples |
| SN74HC273DWR | ACTIVE | SOIC | DW | 20 | 2000 | RoHS & Green | NIPDAU | Level-1-260C-UNLIM | -40 to 85 | HC273 | Samples |
| SN74HC273DWRE4 | ACTIVE | SOIC | DW | 20 | 2000 | RoHS & Green | NIPDAU | Level-1-260C-UNLIM | -40 to 85 | HC273 | Samples |
| SN74HC273DWRG4 | ACTIVE | SOIC | DW | 20 | 2000 | RoHS & Green | NIPDAU | Level-1-260C-UNLIM | -40 to 85 | HC273 | Samples |
| SN74HC273N | ACTIVE | PDIP | N | 20 | 20 | RoHS & Green | NIPDAU | N / A for Pkg Type | -40 to 85 | SN74HC273N | Samples |
| SN74HC273NE4 | ACTIVE | PDIP | N | 20 | 20 | RoHS & Green | NIPDAU | N / A for Pkg Type | -40 to 85 | SN74HC273N | Samples |

| Orderable Device | Status (1) | Package Type | Package Drawing | Pins | Package Qty | Eco Plan (2) | Lead finish/ Ball material (6) | MSL Peak Temp (3) | Op Temp (°C) | Device Marking (4/5) | Samples |
|------------------|---------------|--------------|-----------------|------|-------------|---------------------|--------------------------------------|----------------------|--------------|-------------------------------|-------------------------|
| SN74HC273NSR | ACTIVE | SO | NS | 20 | 2000 | RoHS & Green | NIPDAU | Level-1-260C-UNLIM | -40 to 85 | HC273 | Samples |
| SN74HC273PWR | ACTIVE | TSSOP | PW | 20 | 2000 | RoHS & Green | NIPDAU | Level-1-260C-UNLIM | -40 to 85 | HC273 | Samples |
| SN74HC273PWRG4 | ACTIVE | TSSOP | PW | 20 | 2000 | RoHS & Green | NIPDAU | Level-1-260C-UNLIM | -40 to 85 | HC273 | Samples |
| SNJ54HC273FK | ACTIVE | LCCC | FK | 20 | 55 | Non-RoHS & Green | SNPB | N / A for Pkg Type | -55 to 125 | 84099012A SNJ54HC 273FK | Samples |
| SNJ54HC273J | ACTIVE | CDIP | J | 20 | 20 | Non-RoHS & Green | SNPB | N / A for Pkg Type | -55 to 125 | 8409901RA SNJ54HC273J | Samples |
| SNJ54HC273W | ACTIVE | CFP | W | 20 | 25 | Non-RoHS & Green | SNPB | N / A for Pkg Type | -55 to 125 | 8409901SA SNJ54HC273W | Samples |

(1) The marketing status values are defined as follows:

ACTIVE: Product device recommended for new designs.

LIFEBUY: TI has announced that the device will be discontinued, and a lifetime-buy period is in effect.

NRND: Not recommended for new designs. Device is in production to support existing customers, but TI does not recommend using this part in a new design.

PREVIEW: Device has been announced but is not in production. Samples may or may not be available.

OBSELETE: TI has discontinued the production of the device.

(2) **RoHS:** TI defines "RoHS" to mean semiconductor products that are compliant with the current EU RoHS requirements for all 10 RoHS substances, including the requirement that RoHS substance do not exceed 0.1% by weight in homogeneous materials. Where designed to be soldered at high temperatures, "RoHS" products are suitable for use in specified lead-free processes. TI may reference these types of products as "Pb-Free".

RoHS Exempt: TI defines "RoHS Exempt" to mean products that contain lead but are compliant with EU RoHS pursuant to a specific EU RoHS exemption.

Green: TI defines "Green" to mean the content of Chlorine (Cl) and Bromine (Br) based flame retardants meet JS709B low halogen requirements of <=1000ppm threshold. Antimony trioxide based flame retardants must also meet the <=1000ppm threshold requirement.

(3) MSL, Peak Temp. - The Moisture Sensitivity Level rating according to the JEDEC industry standard classifications, and peak solder temperature.

(4) There may be additional marking, which relates to the logo, the lot trace code information, or the environmental category on the device.

(5) Multiple Device Markings will be inside parentheses. Only one Device Marking contained in parentheses and separated by a "~" will appear on a device. If a line is indented then it is a continuation of the previous line and the two combined represent the entire Device Marking for that device.

(6) Lead finish/Ball material - Orderable Devices may have multiple material finish options. Finish options are separated by a vertical ruled line. Lead finish/Ball material values may wrap to two lines if the finish value exceeds the maximum column width.

Important Information and Disclaimer: The information provided on this page represents TI's knowledge and belief as of the date that it is provided. TI bases its knowledge and belief on information provided by third parties, and makes no representation or warranty as to the accuracy of such information. Efforts are underway to better integrate information from third parties. TI has taken and continues to take reasonable steps to provide representative and accurate information but may not have conducted destructive testing or chemical analysis on incoming materials and chemicals. TI and TI suppliers consider certain information to be proprietary, and thus CAS numbers and other limited information may not be available for release.

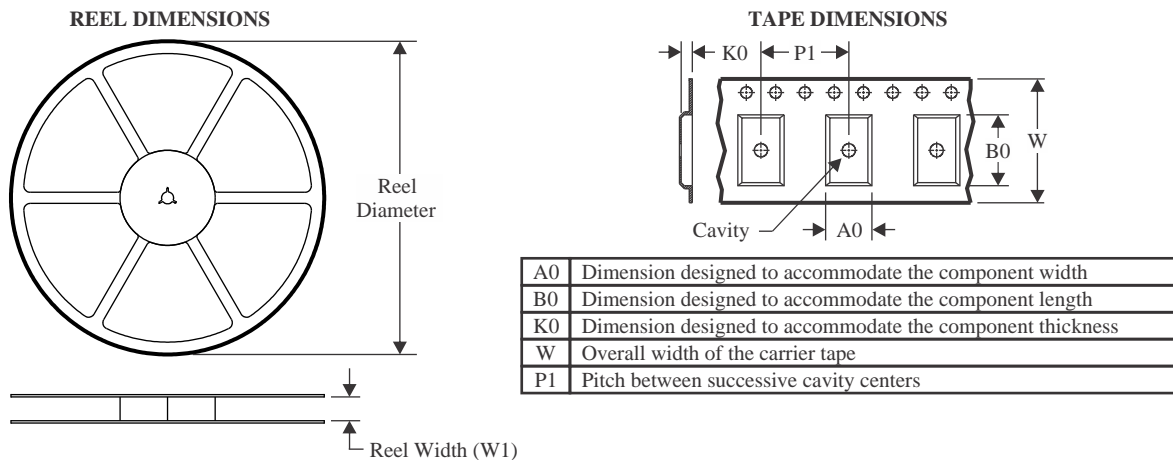
In no event shall TI's liability arising out of such information exceed the total purchase price of the TI part(s) at issue in this document sold by TI to Customer on an annual basis.

OTHER QUALIFIED VERSIONS OF SN54HC273, SN54HC273-SP, SN74HC273 :

- Catalog : [SN74HC273](#), [SN54HC273](#)
- Automotive : [SN74HC273-Q1](#), [SN74HC273-Q1](#)
- Military : [SN54HC273](#)
- Space : [SN54HC273-SP](#)

NOTE: Qualified Version Definitions:

- Catalog - TI's standard catalog product
- Automotive - Q100 devices qualified for high-reliability automotive applications targeting zero defects
- Military - QML certified for Military and Defense Applications
- Space - Radiation tolerant, ceramic packaging and qualified for use in Space-based application

TAPE AND REEL INFORMATION

QUADRANT ASSIGNMENTS FOR PIN 1 ORIENTATION IN TAPE


*All dimensions are nominal

| Device | Package Type | Package Drawing | Pins | SPQ | Reel Diameter (mm) | Reel Width W1 (mm) | A0 (mm) | B0 (mm) | K0 (mm) | P1 (mm) | W (mm) | Pin1 Quadrant |
|----------------|--------------|-----------------|------|------|--------------------|--------------------|---------|---------|---------|---------|--------|---------------|
| SN74HC273DBR | SSOP | DB | 20 | 2000 | 330.0 | 16.4 | 8.2 | 7.5 | 2.5 | 12.0 | 16.0 | Q1 |
| SN74HC273DWR | SOIC | DW | 20 | 2000 | 330.0 | 24.4 | 10.9 | 13.3 | 2.7 | 12.0 | 24.0 | Q1 |
| SN74HC273DWR | SOIC | DW | 20 | 2000 | 330.0 | 24.4 | 10.9 | 13.3 | 2.7 | 12.0 | 24.0 | Q1 |
| SN74HC273DWRG4 | SOIC | DW | 20 | 2000 | 330.0 | 24.4 | 10.8 | 13.3 | 2.7 | 12.0 | 24.0 | Q1 |
| SN74HC273NSR | SO | NS | 20 | 2000 | 330.0 | 24.4 | 8.4 | 13.0 | 2.5 | 12.0 | 24.0 | Q1 |
| SN74HC273NSR | SO | NS | 20 | 2000 | 330.0 | 24.4 | 8.4 | 13.0 | 2.5 | 12.0 | 24.0 | Q1 |
| SN74HC273PWR | TSSOP | PW | 20 | 2000 | 330.0 | 16.4 | 6.95 | 7.0 | 1.4 | 8.0 | 16.0 | Q1 |
| SN74HC273PWR | TSSOP | PW | 20 | 2000 | 330.0 | 16.4 | 6.95 | 7.0 | 1.4 | 8.0 | 16.0 | Q1 |

TAPE AND REEL BOX DIMENSIONS



*All dimensions are nominal

| Device | Package Type | Package Drawing | Pins | SPQ | Length (mm) | Width (mm) | Height (mm) |
|----------------|--------------|-----------------|------|------|-------------|------------|-------------|
| SN74HC273DBR | SSOP | DB | 20 | 2000 | 356.0 | 356.0 | 35.0 |
| SN74HC273DWR | SOIC | DW | 20 | 2000 | 367.0 | 367.0 | 45.0 |
| SN74HC273DWR | SOIC | DW | 20 | 2000 | 367.0 | 367.0 | 45.0 |
| SN74HC273DWRG4 | SOIC | DW | 20 | 2000 | 367.0 | 367.0 | 45.0 |
| SN74HC273NSR | SO | NS | 20 | 2000 | 367.0 | 367.0 | 45.0 |
| SN74HC273NSR | SO | NS | 20 | 2000 | 367.0 | 367.0 | 45.0 |
| SN74HC273PWR | TSSOP | PW | 20 | 2000 | 356.0 | 356.0 | 35.0 |
| SN74HC273PWR | TSSOP | PW | 20 | 2000 | 356.0 | 356.0 | 35.0 |

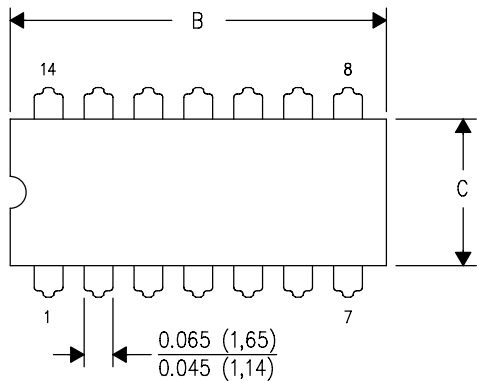
TUBE


*All dimensions are nominal

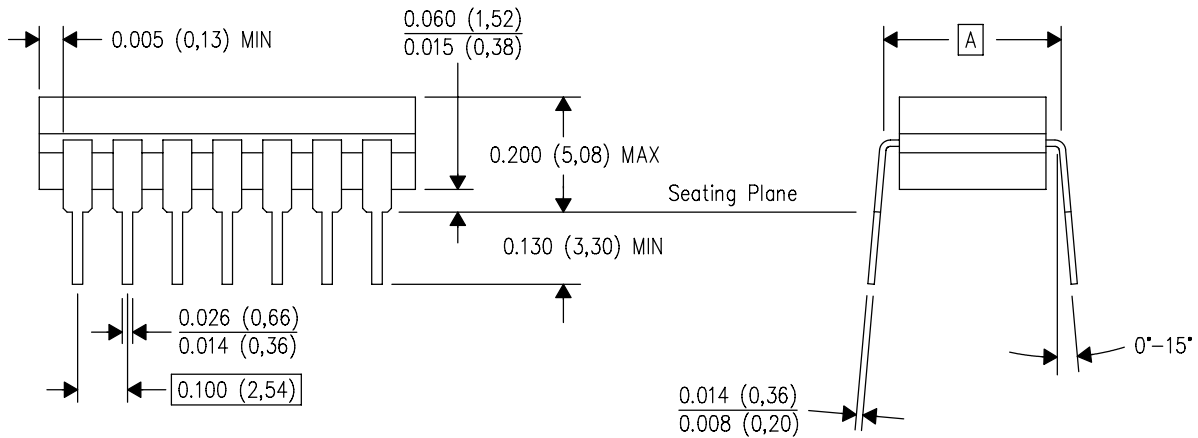
| Device | Package Name | Package Type | Pins | SPQ | L (mm) | W (mm) | T (μm) | B (mm) |
|------------------|--------------|--------------|------|-----|--------|--------|--------|--------|
| 5962-8409901VSA | W | CFP | 20 | 25 | 506.98 | 26.16 | 6220 | NA |
| 84099012A | FK | LCCC | 20 | 55 | 506.98 | 12.06 | 2030 | NA |
| 8409901SA | W | CFP | 20 | 25 | 506.98 | 26.16 | 6220 | NA |
| JM38510/65601BSA | W | CFP | 20 | 25 | 506.98 | 26.16 | 6220 | NA |
| M38510/65601BSA | W | CFP | 20 | 25 | 506.98 | 26.16 | 6220 | NA |
| SN74HC273N | N | PDIP | 20 | 20 | 506 | 13.97 | 11230 | 4.32 |
| SN74HC273NE4 | N | PDIP | 20 | 20 | 506 | 13.97 | 11230 | 4.32 |
| SNJ54HC273FK | FK | LCCC | 20 | 55 | 506.98 | 12.06 | 2030 | NA |
| SNJ54HC273W | W | CFP | 20 | 25 | 506.98 | 26.16 | 6220 | NA |

J (R-GDIP-T**)
14 LEADS SHOWN

CERAMIC DUAL IN-LINE PACKAGE



| DIM \ PINS ** | 14 | 16 | 18 | 20 |
|---------------|------------------------|------------------------|------------------------|------------------------|
| A | 0.300 (7,62) BSC | 0.300 (7,62) BSC | 0.300 (7,62) BSC | 0.300 (7,62) BSC |
| B MAX | 0.785 (19,94) | .840 (21,34) | 0.960 (24,38) | 1.060 (26,92) |
| B MIN | — | — | — | — |
| C MAX | 0.300 (7,62) | 0.300 (7,62) | 0.310 (7,87) | 0.300 (7,62) |
| C MIN | 0.245 (6,22) | 0.245 (6,22) | 0.220 (5,59) | 0.245 (6,22) |



4040083/F 03/03

- NOTES:
- All linear dimensions are in inches (millimeters).
 - This drawing is subject to change without notice.
 - This package is hermetically sealed with a ceramic lid using glass frit.
 - Index point is provided on cap for terminal identification only on press ceramic glass frit seal only.
 - Falls within MIL STD 1835 GDIP1-T14, GDIP1-T16, GDIP1-T18 and GDIP1-T20.

GENERIC PACKAGE VIEW

FK 20

LCCC - 2.03 mm max height

8.89 x 8.89, 1.27 mm pitch

LEADLESS CERAMIC CHIP CARRIER

This image is a representation of the package family, actual package may vary.
Refer to the product data sheet for package details.



4229370VA\

N (R-PDIP-T**)

PLASTIC DUAL-IN-LINE PACKAGE

16 PINS SHOWN



- NOTES:
- A. All linear dimensions are in inches (millimeters).
 - B. This drawing is subject to change without notice.
 - Falls within JEDEC MS-001, except 18 and 20 pin minimum body length (Dim A).
 - The 20 pin end lead shoulder width is a vendor option, either half or full width.

DW0020A



PACKAGE OUTLINE

SOIC - 2.65 mm max height

SOIC



NOTES:

1. All linear dimensions are in millimeters. Dimensions in parenthesis are for reference only. Dimensioning and tolerancing per ASME Y14.5M.
2. This drawing is subject to change without notice.
3. This dimension does not include mold flash, protrusions, or gate burrs. Mold flash, protrusions, or gate burrs shall not exceed 0.15 mm per side.
4. This dimension does not include interlead flash. Interlead flash shall not exceed 0.43 mm per side.
5. Reference JEDEC registration MS-013.

EXAMPLE BOARD LAYOUT

DW0020A

SOIC - 2.65 mm max height

SOIC



LAND PATTERN EXAMPLE
SCALE:6X



SOLDER MASK DETAILS

4220724/A 05/2016

NOTES: (continued)

- 6. Publication IPC-7351 may have alternate designs.
- 7. Solder mask tolerances between and around signal pads can vary based on board fabrication site.

EXAMPLE STENCIL DESIGN

DW0020A

SOIC - 2.65 mm max height

SOIC



SOLDER PASTE EXAMPLE
BASED ON 0.125 mm THICK STENCIL
SCALE:6X

4220724/A 05/2016

NOTES: (continued)

8. Laser cutting apertures with trapezoidal walls and rounded corners may offer better paste release. IPC-7525 may have alternate design recommendations.
9. Board assembly site may have different recommendations for stencil design.

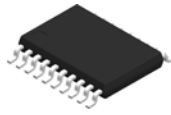
W (R-GDFP-F20)

CERAMIC DUAL FLATPACK



- NOTES:
- A. All linear dimensions are in inches (millimeters).
 - B. This drawing is subject to change without notice.
 - C. This package can be hermetically sealed with a ceramic lid using glass frit.
 - D. Index point is provided on cap for terminal identification only.
 - E. Falls within Mil-Std 1835 GDFP2-F20

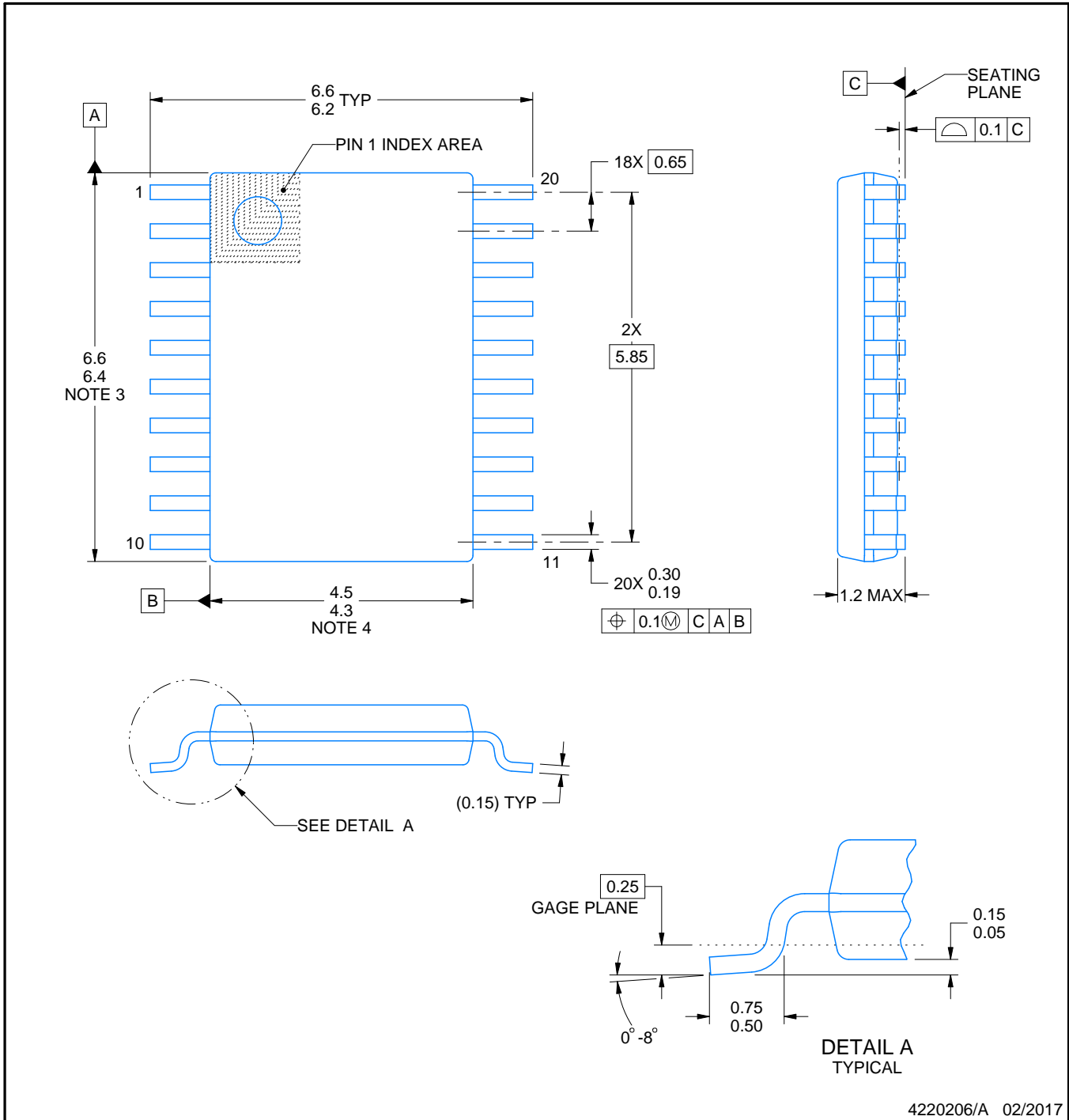
PW0020A



PACKAGE OUTLINE

TSSOP - 1.2 mm max height

SMALL OUTLINE PACKAGE



4220206/A 02/2017

NOTES:

- All linear dimensions are in millimeters. Any dimensions in parenthesis are for reference only. Dimensioning and tolerancing per ASME Y14.5M.
- This drawing is subject to change without notice.
- This dimension does not include mold flash, protrusions, or gate burrs. Mold flash, protrusions, or gate burrs shall not exceed 0.15 mm per side.
- This dimension does not include interlead flash. Interlead flash shall not exceed 0.25 mm per side.
- Reference JEDEC registration MO-153.

EXAMPLE BOARD LAYOUT

PW0020A

TSSOP - 1.2 mm max height

SMALL OUTLINE PACKAGE



LAND PATTERN EXAMPLE
EXPOSED METAL SHOWN
SCALE: 10X



SOLDER MASK DETAILS

4220206/A 02/2017

NOTES: (continued)

- 6. Publication IPC-7351 may have alternate designs.
- 7. Solder mask tolerances between and around signal pads can vary based on board fabrication site.

EXAMPLE STENCIL DESIGN

PW0020A

TSSOP - 1.2 mm max height

SMALL OUTLINE PACKAGE



SOLDER PASTE EXAMPLE
BASED ON 0.125 mm THICK STENCIL
SCALE: 10X

4220206/A 02/2017

NOTES: (continued)

8. Laser cutting apertures with trapezoidal walls and rounded corners may offer better paste release. IPC-7525 may have alternate design recommendations.
9. Board assembly site may have different recommendations for stencil design.

PW (R-PDSO-G20)

PLASTIC SMALL OUTLINE



- NOTES:
- A. All linear dimensions are in millimeters.
 - B. This drawing is subject to change without notice.
 - C. Publication IPC-7351 is recommended for alternate design.
 - D. Laser cutting apertures with trapezoidal walls and also rounding corners will offer better paste release. Customers should contact their board assembly site for stencil design recommendations. Refer to IPC-7525 for other stencil recommendations.
 - E. Customers should contact their board fabrication site for solder mask tolerances between and around signal pads.

DB0020A



PACKAGE OUTLINE

SSOP - 2 mm max height

SMALL OUTLINE PACKAGE



4214851/B 08/2019

NOTES:

1. All linear dimensions are in millimeters. Any dimensions in parenthesis are for reference only. Dimensioning and tolerancing per ASME Y14.5M.
2. This drawing is subject to change without notice.
3. This dimension does not include mold flash, protrusions, or gate burrs. Mold flash, protrusions, or gate burrs shall not exceed 0.15 mm per side.
4. This dimension does not include interlead flash. Interlead flash shall not exceed 0.25 mm per side.
5. Reference JEDEC registration MO-150.

EXAMPLE BOARD LAYOUT

DB0020A

SSOP - 2 mm max height

SMALL OUTLINE PACKAGE



LAND PATTERN EXAMPLE
EXPOSED METAL SHOWN
SCALE: 10X



4214851/B 08/2019

NOTES: (continued)

- 6. Publication IPC-7351 may have alternate designs.
- 7. Solder mask tolerances between and around signal pads can vary based on board fabrication site.

EXAMPLE STENCIL DESIGN

DB0020A

SSOP - 2 mm max height

SMALL OUTLINE PACKAGE



SOLDER PASTE EXAMPLE
BASED ON 0.125 mm THICK STENCIL
SCALE: 10X

4214851/B 08/2019

NOTES: (continued)

8. Laser cutting apertures with trapezoidal walls and rounded corners may offer better paste release. IPC-7525 may have alternate design recommendations.
9. Board assembly site may have different recommendations for stencil design.

MECHANICAL DATA

NS (R-PDSO-G**)

PLASTIC SMALL-OUTLINE PACKAGE

14-PINS SHOWN



- NOTES:
- A. All linear dimensions are in millimeters.
 - B. This drawing is subject to change without notice.
 - C. Body dimensions do not include mold flash or protrusion, not to exceed 0,15.

重要声明和免责声明

TI“按原样”提供技术和可靠性数据（包括数据表）、设计资源（包括参考设计）、应用或其他设计建议、网络工具、安全信息和其他资源，不保证没有瑕疵且不做任何明示或暗示的担保，包括但不限于对适销性、某特定用途方面的适用性或不侵犯任何第三方知识产权的暗示担保。

这些资源可供使用 TI 产品进行设计的熟练开发人员使用。您将自行承担以下全部责任：(1) 针对您的应用选择合适的 TI 产品，(2) 设计、验证并测试您的应用，(3) 确保您的应用满足相应标准以及任何其他功能安全、信息安全、监管或其他要求。

这些资源如有变更，恕不另行通知。TI 授权您仅可将这些资源用于研发本资源所述的 TI 产品的应用。严禁对这些资源进行其他复制或展示。您无权使用任何其他 TI 知识产权或任何第三方知识产权。您应全额赔偿因在这些资源的使用中对 TI 及其代表造成的任何索赔、损害、成本、损失和债务，TI 对此概不负责。

TI 提供的产品受 [TI 的销售条款](#) 或 [ti.com](#) 上其他适用条款/TI 产品随附的其他适用条款的约束。TI 提供这些资源并不会扩展或以其他方式更改 TI 针对 TI 产品发布的适用的担保或担保免责声明。

TI 反对并拒绝您可能提出的任何其他或不同的条款。

邮寄地址：Texas Instruments, Post Office Box 655303, Dallas, Texas 75265

Copyright © 2023，德州仪器 (TI) 公司

单击下面可查看定价，库存，交付和生命周期等信息

[>>TI\(德州仪器\)](#)