

# TAS2110 6.1-W Digital Input Audio Class-D Amplifier With Integrated 11-V Class-H Boost

## 1 Features

- Key Features
  - 11V multi-level Class-H boost
  - Integrated Look Ahead Algorithm with easy to use GUI
- Output Power (1% THD+N, VBAT=3.6V)
  - 6.1-W into 4  $\Omega$
  - 5-W into 8  $\Omega$
- Power Consumption(8 $\Omega$ , VBAT=4.2V)
  - 83.5% efficiency at 1W
  - <1uA in hardware shutdown mode
- Power Supplies
  - VBAT: 2.7 V to 5.5 V
  - VDD: 1.65 V to 1.95 V
- Protections
  - Battery: Advanced Brown Out
  - Clipping: VBAT Tracking Peak Voltage Limiter
  - Device: Thermal and Over Current Protection
- Interfaces and Control
  - I2S/TDM: 8 Channels of 32 bit each up to 96 KSPS
  - I2C: 4 selectable addresses
  - 7.35 KSPS to 192 KSPS Sample Rates
  - MCLK Free operation

## 2 Applications

- [Smart Speakers with Voice Assistance](#)
- [Bluetooth and Wireless Speakers](#)
- [Smart Home](#)
- [IP Camera](#)

## 3 Description

The TAS2110 is a digital input Class-D audio amplifier with an algorithmically controlled, 11V Class-H boost in a QFN package. The look-ahead algorithms optimize boost voltage levels to match the output of the audio signal. This provides all the power needed for peak output while reducing the average power consumption significantly compared to constant output boosts. The algorithms are configured with PurePath Console GUI.

The Class-D audio amplifier is capable of delivering 6.1 W of peak power into a 4  $\Omega$  load at a battery voltage of 3.6 V. TAS2110 is 83.5% efficient at 1 W and consumes less than 1 uA in hardware shutdown mode.

TAS2110 helps protect against system shutdown with configurable brownout protection and VBAT tracking peak voltage limiter, both of which are configurable.

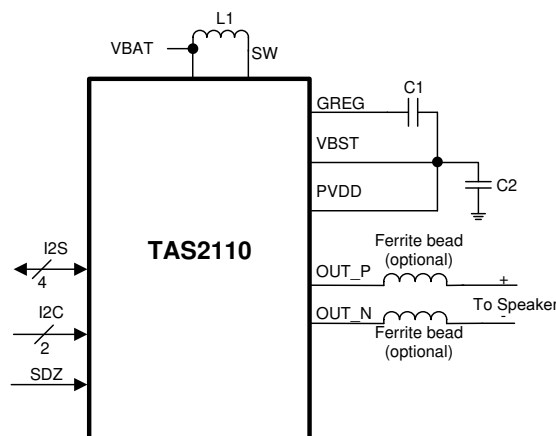
The TAS2110 QFN package is compatible with 2 layer board designs.

### Device Information<sup>(1)</sup>

PART NUMBER	PACKAGE	BODY SIZE (NOM)
TAS2110	QFN	4.5 mm x 4 mm

(1) For all available packages, see the orderable addendum at the end of the data sheet.

### Simplified Schematic



## Table of Contents

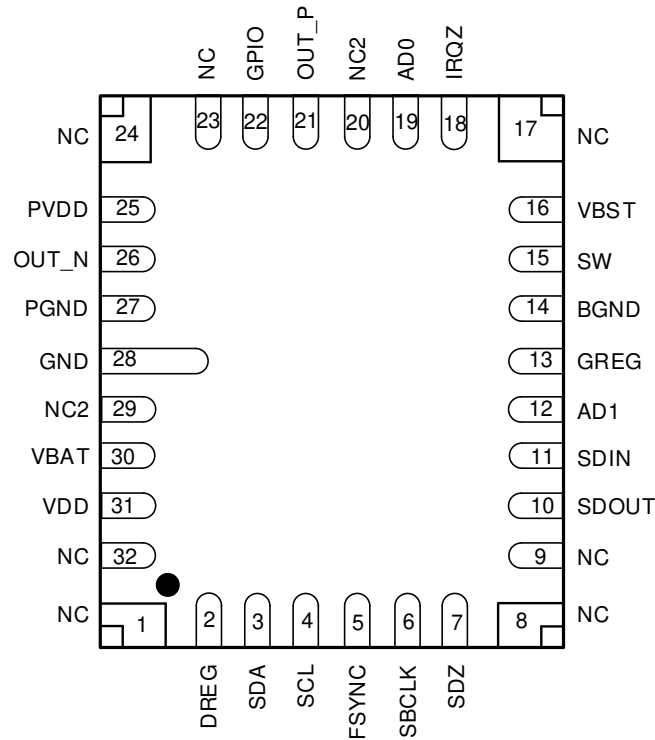
<b>1 Features</b> .....	<b>1</b>	8.4 Device Functional Modes .....	<b>26</b>
<b>2 Applications</b> .....	<b>1</b>	8.5 Register Maps .....	<b>50</b>
<b>3 Description</b> .....	<b>1</b>	<b>9 Application and Implementation</b> .....	<b>89</b>
<b>4 Revision History</b> .....	<b>2</b>	9.1 Application Information .....	<b>89</b>
<b>5 Pin Configuration and Functions</b> .....	<b>3</b>	9.2 Typical Application .....	<b>89</b>
<b>6 Specifications</b> .....	<b>5</b>	<b>10 Power Supply Recommendations</b> .....	<b>92</b>
6.1 Absolute Maximum Ratings .....	<b>5</b>	10.1 Power Supplies .....	<b>92</b>
6.2 ESD Ratings .....	<b>5</b>	10.2 Power Supply Sequencing .....	<b>92</b>
6.3 Recommended Operating Conditions .....	<b>5</b>	<b>11 Layout</b> .....	<b>93</b>
6.4 Thermal Information .....	<b>5</b>	11.1 Layout Guidelines .....	<b>93</b>
6.5 Electrical Characteristics .....	<b>6</b>	11.2 Layout Example .....	<b>94</b>
6.6 I <sup>2</sup> C Timing Requirements .....	<b>11</b>	<b>12 Device and Documentation Support</b> .....	<b>96</b>
6.7 TDM Port Timing Requirements .....	<b>11</b>	12.1 Documentation Support .....	<b>96</b>
6.8 Typical Characteristics .....	<b>13</b>	12.2 Receiving Notification of Documentation Updates .....	<b>96</b>
<b>7 Parameter Measurement Information</b> .....	<b>18</b>	12.3 Community Resources .....	<b>96</b>
<b>8 Detailed Description</b> .....	<b>19</b>	12.4 Trademarks .....	<b>96</b>
8.1 Overview .....	<b>19</b>	12.5 Electrostatic Discharge Caution .....	<b>96</b>
8.2 Functional Block Diagram .....	<b>19</b>	12.6 Glossary .....	<b>96</b>
8.3 Feature Description .....	<b>19</b>	<b>13 Mechanical, Packaging, and Orderable Information</b> .....	<b>97</b>

## 4 Revision History

DATE	REVISION	NOTES
December 2019	*	Initial release.

## 5 Pin Configuration and Functions

RPP Package  
32-Pin QFN  
Top View



Pin Functions

PIN		I/O	DESCRIPTION
NAME	QFN		
AD0	19	I	I2C address pin LSB.
AD1	12	I	I2C address pin LSB+1.
BGND	14	P	Boost ground. Connect to PCB GND plane.
DREG	2	P	Digital core voltage regulator output. Bypass to GND with a cap. Do not connect to external load.
FSYNC	5	IO	I2S word clock or TDM frame sync.
GREG	13	P	High-side gate CP regulator output. Do not connect to external load.
GND	28	P	Digital ground. Connect to PCB GDN plane.
IRQZ	18	O	Open drain, active low interrupt pin. Pull up to VDDD with resistor if optional internal pull up is not used.
GPIO	22	IO	General purpose input/output, no connect if not used.

**Pin Functions (continued)**

PIN		I/O	DESCRIPTION
NAME	QFN		
NC	1	-	No Connect. Can float or connect to any support or signal.
	8		
	9		
	17		
	23		
	24		
NC2	20	-	No Connect. Can float or connect to ground. Do not connect to other signals or supplies.
	29		
OUT_N	26	O	Class-D negative output for receiver channel.
OUT_P	21	O	Class-D positive output for receiver channel.
PGND	27	P	Power stage ground. Connect to PCB GND plane.
PVDD	25	P	Power stage supply.
SBCLK	6	IO	I2S/TDM serial bit clock.
SCL	4	I	I <sup>2</sup> C Clock Pin. Pull up to VDD with a resistor.
SDA	3	IO	I <sup>2</sup> C Data Pin. Pull up to VDD with a resistor.
SDIN	11	I	I2S/TDM serial data input.
SDOUT	10	IO	I2S/TDM serial data output.
SDZ	7	I	Active low hardware shutdown.
SW	15	P	Boost converter switch input.
VBAT	30	P	Battery power supply input. Connect to 2.7 V to 5.5 V supply and decouple with a cap.
VBST	16	P	Boost converter output. Do not connect to external load.
VDD	31	P	Analog, digital, and IO power supply. Connect to 1.8 V supply and decouple to GND with cap.

## 6 Specifications

### 6.1 Absolute Maximum Ratings

over operating free-air temperature range (unless otherwise noted) <sup>(1)</sup>

		MIN	MAX	UNIT
Analog / IO Supply Voltage	VDD	-0.3	2	V
Battery Supply Voltage	VBAT	-0.3	6	V
Boost Pin	VBST <sup>(2)(3)</sup>	-0.3	18.5	V
Power Supply Voltage	PVDD <sup>(2)(3)</sup>	-0.3	18.5	V
Switching Pin	SW	-0.7	16	V
High Side Regulator Pin	GREG	PVDD-0.3	PVDD+6	V
Digital Regular Pin	DREG	-0.3	1.65	V
Input voltage <sup>(4)</sup>	Digital IOs referenced to VDD supply	-0.3	VDD+0.3	V
Operating free-air temperature, T <sub>A</sub>		-40	85	°C
Operating junction temperature, T <sub>J</sub>		-40	150	°C
Storage temperature, T <sub>stg</sub>		-65	150	°C

- (1) Stresses beyond those listed under *Absolute Maximum Ratings* can cause permanent damage to the device. These are stress ratings only, which do not imply functional operation of the device at these or any other conditions beyond those indicated under *Recommended Operating Procedures*. Exposure to absolute-maximum-rated conditions for extended periods can affect device reliability.
- (2) VBST-VBAT and PVDD-VBAT must be less than 16 V
- (3) PVDD can handle 19V transients for less than 10ns
- (4) All digital inputs and IOs are failsafe.

### 6.2 ESD Ratings

			VALUE	UNIT
V <sub>(ESD)</sub>	Electrostatic discharge	Human-body model (HBM), per ANSI/ESDA/JEDEC JS-001 <sup>(1)</sup>	±2000	V
		Charged-device model (CDM), per JEDEC specification JESD22-C101 <sup>(2)</sup>	±500	

- (1) JEDEC document JEP155 states that 500-V HBM allows safe manufacturing with a standard ESD control process.
- (2) JEDEC document JEP157 states that 250-V CDM allows safe manufacturing with a standard ESD control process.

### 6.3 Recommended Operating Conditions

over operating free-air temperature range (unless otherwise noted)

		MIN	NOM	MAX	UNIT
VBAT	Supply voltage(Internal Boost Mode)	2.7	3.6	5.5	V
VBAT	Supply voltage(External Boost Mode)	3	3.6	5.5	V
VDD	Supply voltage	1.65	1.8	1.95	V
PVDD	Supply voltage - external boost mode	VBAT		16	V
V <sub>IH</sub>	High-level digital input voltage		VDD		V
V <sub>IL</sub>	Low-level digital input voltage		0		V
R <sub>SPK</sub>	Minimum speaker impedance	3.2			Ω
L <sub>SPK</sub>	Minimum speaker inductance	10			μH

### 6.4 Thermal Information

THERMAL METRIC <sup>(1)</sup>		YFP (WCSP)	UNIT
		36 PINS	
R <sub>JA</sub>	Junction-to-ambient thermal resistance	47.4	°C/W
R <sub>JC(top)</sub>	Junction-to-case (top) thermal resistance	17.0	°C/W
R <sub>JB</sub>	Junction-to-board thermal resistance	13.1	°C/W
Ψ <sub>JT</sub>	Junction-to-top characterization parameter	0.5	°C/W
Ψ <sub>JB</sub>	Junction-to-board characterization parameter	12.7	°C/W
R <sub>JC(bot)</sub>	Junction-to-case (bottom) thermal resistance	n/a	°C/W

- (1) For more information about traditional and new thermal metrics, see the *Semiconductor and IC Package Thermal Metrics* application report, [SPRA953](#).

## 6.5 Electrical Characteristics

$T_A = 25\text{ }^\circ\text{C}$ ,  $V_{BAT} = 3.6\text{ V}$ , (External  $PVDD = 12\text{ V}$ ),  $VDD = 1.8\text{ V}$ ,  $R_L = 8\Omega + 33\text{ }\mu\text{H}$ ,  $f_{in} = 1\text{ kHz}$ , SSM,  $f_s = 48\text{ kHz}$ , Gain = 16 dBV (External  $PVDD$  Gain=18 dBV),  $SDZ = 1$ , Thermal Foldback Disabled, Measured filter free with an Audio Precision with a 22 Hz to 20 kHz un-weighted bandwidth (unless otherwise noted).

PARAMETER	TEST CONDITIONS	MIN	TYP	MAX	UNIT	
<b>DIGITAL INPUT and OUTPUT</b>						
$V_{IH}$	High-level digital input logic voltage threshold	All digital pins except SDA and SCL	0.65 × VDD		V	
$V_{IL}$	Low-level digital input logic voltage threshold	All digital pins except SDA and SCL	0.35 × VDD		V	
$V_{IH(I2C)}$	High-level digital input logic voltage threshold	SDA and SCL	0.7 × VDD		V	
$V_{IL(I2C)}$	Low-level digital input logic voltage threshold	SDA and SCL	0.3 × VDD		V	
$V_{OH}$	High-level digital output voltage	All digital pins except SDA, SCL and IRQZ; $I_{OH} = 2\text{ mA}$ .	VDD – 0.45 V		V	
$V_{OL}$	Low-level digital output voltage	All digital pins except SDA, SCL and IRQZ; $I_{OL} = -2\text{ mA}$ .	0.45		V	
$V_{OL(I2C)}$	Low-level digital output voltage	SDA and SCL; $I_{OL(I2C)} = -2\text{ mA}$ .	0.2 × VDD		V	
$V_{OL(IRQZ)}$	Low-level digital output voltage for IRQZ open drain Output	IRQZ; $I_{OL(IRQZ)} = -2\text{ mA}$ .	0.45		V	
$I_{IH}$	Input logic-high leakage for digital inputs	All digital pins; Input = VDD.	-5	0.1	5	$\mu\text{A}$
$I_{IL}$	Input logic-low leakage for digital inputs	All digital pins; Input = GND.	-5	0.1	5	$\mu\text{A}$
$C_{IN}$	Input capacitance for digital inputs	All digital pins	5		pF	
$R_{PD}$	Pull down resistance for digital input/IO pins when asserted on	SDOUT, SDIN, FSYNC, SBCLK	50		k $\Omega$	
<b>AMPLIFIER PERFORMANCE - Internal Boost</b>						
	Output Voltage for Full-scale digital Input	Measured at -6 dB FS input	6.32		V <sub>rms</sub>	
$P_{OUT}$	Maximum Continuous Output Power	$R_L = 32\Omega + 33\text{ }\mu\text{H}$ , THD+N = 0.03 %, $f_{in} = 1\text{ kHz}$	1.25		W	
		$R_L = 8\Omega + 33\text{ }\mu\text{H}$ , THD+N = 0.03 %, $f_{in} = 1\text{ kHz}$	5		W	
		$R_L = 4\Omega + 33\text{ }\mu\text{H}$ , THD+N = 1 %, $f_{in} = 1\text{ kHz}$	6.1		W	
	System efficiency at $P_{OUT} = 1\text{ W}$	$R_L = 8\Omega + 33\text{ }\mu\text{H}$ , $f_{in} = 1\text{ kHz}$	82.5		%	
		$R_L = 4\Omega + 33\text{ }\mu\text{H}$ , $f_{in} = 1\text{ kHz}$	79.5		%	
		$R_L = 8\Omega + 33\text{ }\mu\text{H}$ , $f_{in} = 1\text{ kHz}$ , $V_{BAT} = 4.2\text{ V}$	83		%	
		$R_L = 4\Omega + 33\text{ }\mu\text{H}$ , $f_{in} = 1\text{ kHz}$ , $V_{BAT} = 4.2\text{ V}$	85.2		%	
	System efficiency at $P_{OUT} = 0.5\text{ W}$	$R_L = 8\Omega + 33\text{ }\mu\text{H}$ , $f_{in} = 1\text{ kHz}$	75.8		%	
		$R_L = 4\Omega + 33\text{ }\mu\text{H}$ , $f_{in} = 1\text{ kHz}$	80.3		%	
		$R_L = 8\Omega + 33\text{ }\mu\text{H}$ , $f_{in} = 1\text{ kHz}$ , $V_{BAT} = 4.2\text{ V}$	84.9		%	
		$R_L = 4\Omega + 33\text{ }\mu\text{H}$ , $f_{in} = 1\text{ kHz}$ , $V_{BAT} = 4.2\text{ V}$	80.5		%	
	System efficiency at 0.1% THD+N power level	$R_L = 32\Omega + 33\text{ }\mu\text{H}$ , $f_{in} = 1\text{ kHz}$ ,	79.1		%	
		$R_L = 8\Omega + 33\text{ }\mu\text{H}$ , $f_{in} = 1\text{ kHz}$ ,	81.2		%	
		$R_L = 4\Omega + 33\text{ }\mu\text{H}$ , $f_{in} = 1\text{ kHz}$	75.7		%	
THD+N	Total harmonic distortion + noise	$P_{OUT} = 0.25\text{ W}$ , $R_L = 32\Omega + 33\text{ }\mu\text{H}$ , $f_{in} = 1\text{ kHz}$	0.01		%	
		$P_{OUT} = 1\text{ W}$ , $R_L = 8\Omega + 33\text{ }\mu\text{H}$ , $f_{in} = 1\text{ kHz}$	0.01		%	
		$P_{OUT} = 1\text{ W}$ , $R_L = 4\Omega + 33\text{ }\mu\text{H}$ , $f_{in} = 1\text{ kHz}$	0.01		%	
$V_N$	Idle channel noise	A-Weighted, 20 Hz - 20 kHz, DAC Modulator Running	14.8		$\mu\text{V}$	

**Electrical Characteristics (continued)**

$T_A = 25\text{ }^\circ\text{C}$ ,  $V_{BAT} = 3.6\text{ V}$ , (External PVDD = 12 V),  $V_{DD} = 1.8\text{ V}$ ,  $R_L = 8\Omega + 33\text{ }\mu\text{H}$ ,  $f_{in} = 1\text{ kHz}$ , SSM,  $f_s = 48\text{ kHz}$ , Gain = 16 dBV (External PVDD Gain=18 dBV), SDZ = 1, Thermal Foldback Disabled, Measured filter free with an Audio Precision with a 22 Hz to 20 kHz un-weighted bandwidth (unless otherwise noted).

PARAMETER	TEST CONDITIONS	MIN	TYP	MAX	UNIT	
$F_{P_{PWM}}$	Class-D PWM switching frequency	Average frequency in Spread Spectrum Mode, CLASSD_SYNC=0		384		kHz
		Fixed Frequency Mode, CLASSD_SYNC=0		384		kHz
		Fixed Frequency Mode, CLASSD_SYNC=1, $f_s = 44.1, 88.2, 174.6\text{ kHz}$		352.8		kHz
		Fixed Frequency Mode, CLASSD_SYNC=1, $f_s = 48, 96, 192\text{ kHz}$		384		kHz
$V_{OS}$	Output offset voltage	-1		1	mV	
DNR	Dynamic range	A-Weighted, -60 dBFS Method			106.5	dB
SNR	Signal to noise ratio	A-Weighted, Referenced to 1% THD+N Output Level			112.5	dB
$K_{CP}$	Click and pop performance	Into and out of Mute, Shutdown, Power Up, Power Down and audio clocks starting and stopping. Measured with APx Plugin.			4	mV
		Programmable output level range		8	18	dBV
		Programmable output level step size			0.5	dB
$AV_{ERROR}$	Amplifier gain error	$P_{OUT} = 1\text{ W}$			$\pm 0.1$	dB
	Mute attenuation	Device in Shutdown or Muted in Normal Operation			110	dB
	VBAT power-supply rejection ratio	$V_{BAT} = 3.6\text{ V} + 200\text{ mV}_{pp}$ , $f_{ripple} = 217\text{ Hz}$			108	dB
		$V_{BAT} = 3.6\text{ V} + 200\text{ mV}_{pp}$ , $f_{ripple} = 20\text{ kHz}$			87.5	dB
	AVDD power-supply rejection ratio	$V_{DD} = 1.8\text{ V} + 200\text{ mV}_{pp}$ , $f_{ripple} = 217\text{ Hz}$			98	dB
		$V_{DD} = 1.8\text{ V} + 200\text{ mV}_{pp}$ , $f_{ripple} = 20\text{ kHz}$			89	dB
	Turn on time from release of SW shutdown	No Volume Ramping			1.8	ms
		Volume Ramping			4.5	ms
	Turn off time from assertion of SW shutdown to amp Hi-Z	No Volume Ramping			0.9	ms
		Volume Ramping			12.5	ms
<b>AMPLIFIER PERFORMANCE - External PVDD</b>						
	Output Voltage for Full-scale digital Input	Measured at -6 dB FS input			7.94	Vrms
$P_{OUT}$	Maximum Continuous Output Power	$R_L = 32\Omega + 33\text{ }\mu\text{H}$ , THD+N = 1%, $f_{in} = 1\text{ kHz}$			1.3	W
		$R_L = 8\Omega + 33\text{ }\mu\text{H}$ , THD+N = 1%, $f_{in} = 1\text{ kHz}$			5.2	W
		$R_L = 4\Omega + 33\text{ }\mu\text{H}$ , THD+N = 1%, $f_{in} = 1\text{ kHz}$			10.4	W
		$R_L = 32\Omega + 33\text{ }\mu\text{H}$ , THD+N = 10%, $f_{in} = 1\text{ kHz}$			1.6	W
		$R_L = 8\Omega + 33\text{ }\mu\text{H}$ , THD+N = 10%, $f_{in} = 1\text{ kHz}$			6.3	W
		$R_L = 4\Omega + 33\text{ }\mu\text{H}$ , THD+N = 10%, $f_{in} = 1\text{ kHz}$			12.6	W
	System efficiency at $P_{OUT} = 1\text{ W}$	$R_L = 8\Omega + 33\text{ }\mu\text{H}$ , $f_{in} = 1\text{ kHz}$			85.8	%
		$R_L = 4\Omega + 33\text{ }\mu\text{H}$ , $f_{in} = 1\text{ kHz}$			81.8	%
		$R_L = 8\Omega + 33\text{ }\mu\text{H}$ , $f_{in} = 1\text{ kHz}$ , External PVDD = 8.4 V			87.9	%
		$R_L = 4\Omega + 33\text{ }\mu\text{H}$ , $f_{in} = 1\text{ kHz}$ , External PVDD = 8.4 V			83.8	%

**Electrical Characteristics (continued)**

$T_A = 25\text{ }^\circ\text{C}$ ,  $V_{BAT} = 3.6\text{ V}$ , (External PVDD = 12 V),  $V_{DD} = 1.8\text{ V}$ ,  $R_L = 8\Omega + 33\text{ }\mu\text{H}$ ,  $f_{in} = 1\text{ kHz}$ , SSM,  $f_s = 48\text{ kHz}$ , Gain = 16 dBV (External PVDD Gain=18 dBV), SDZ = 1, Thermal Foldback Disabled, Measured filter free with an Audio Precision with a 22 Hz to 20 kHz un-weighted bandwidth (unless otherwise noted).

PARAMETER	TEST CONDITIONS	MIN	TYP	MAX	UNIT
System efficiency at 0.1% THD+N power level	$R_L = 32\Omega + 33\text{ }\mu\text{H}$ , $f_{in} = 1\text{ kHz}$ ,		89.4		%
	$R_L = 8\Omega + 33\text{ }\mu\text{H}$ , $f_{in} = 1\text{ kHz}$ ,		91.2		%
	$R_L = 4\Omega + 33\text{ }\mu\text{H}$ , $f_{in} = 1\text{ kHz}$		87.2		%
	$R_L = 32\Omega + 33\text{ }\mu\text{H}$ , $f_{in} = 1\text{ kHz}$ , External PVDD = 8.4 V		83.9		%
	$R_L = 8\Omega + 33\text{ }\mu\text{H}$ , $f_{in} = 1\text{ kHz}$ , External PVDD = 8.4 V		91.9		%
	$R_L = 4\Omega + 33\text{ }\mu\text{H}$ , $f_{in} = 1\text{ kHz}$ , External PVDD = 8.4 V		88		%
THD+N	Total harmonic distortion + noise	$P_{OUT} = 0.25\text{ W}$ , $R_L = 32\Omega + 33\text{ }\mu\text{H}$ , $f_{in} = 1\text{ kHz}$	0.01		%
		$P_{OUT} = 1\text{ W}$ , $R_L = 8\Omega + 33\text{ }\mu\text{H}$ , $f_{in} = 1\text{ kHz}$	0.01		%
		$P_{OUT} = 1\text{ W}$ , $R_L = 4\Omega + 33\text{ }\mu\text{H}$ , $f_{in} = 1\text{ kHz}$	0.02		%
$V_N$	Idle channel noise	A-Weighted, 20 Hz - 20 kHz, DAC Modulator Running	21.3		$\mu\text{V}$
$F_{PWM}$	Class-D PWM switching frequency	Average frequency in Spread Spectrum Mode, CLASSD_SYNC=0	384		kHz
		Fixed Frequency Mode, CLASSD_SYNC=0	384		kHz
		Fixed Frequency Mode, CLASSD_SYNC=1, $f_s = 44.1, 88.2, 174.6\text{ kHz}$	352.8		kHz
		Fixed Frequency Mode, CLASSD_SYNC=1, $f_s = 48, 96, 192\text{ kHz}$	384		kHz
$V_{OS}$	Output offset voltage		-1	1	mV
DNR	Dynamic range	A-Weighted, -60 dBFS Method	109		dB
SNR	Signal to noise ratio	A-Weighted, Referenced to 1% THD+N Output Level	109.5		dB
$K_{CP}$	Click and pop performance	Into and out of Mute, Shutdown, Power Up, Power Down and audio clocks starting and stopping. Measured with APx Plugin.	3		mV
		Programmable output level range	8	18	dBV
		Programmable output level step size	0.5		dB
$AV_{ERROR}$	Amplifier gain error	$P_{OUT} = 1\text{ W}$	$\pm 0.1$		dB
		Mute attenuation	Device in Shutdown or Muted in Normal Operation	110	
	VBAT power-supply rejection ratio	$V_{BAT} = 3.6\text{ V} + 200\text{ mV}_{pp}$ , $f_{ripple} = 217\text{ Hz}$	110		dB
		$V_{BAT} = 3.6\text{ V} + 200\text{ mV}_{pp}$ , $f_{ripple} = 20\text{ kHz}$	90		dB
	PVDD power-supply rejection ratio	$PVDD = 12\text{ V} + 200\text{ mV}_{pp}$ , $f_{ripple} = 217\text{ Hz}$	105		dB
		$PVDD = 12\text{ V} + 200\text{ mV}_{pp}$ , $f_{ripple} = 20\text{ kHz}$	90		dB
	AVDD power-supply rejection ratio	$V_{DD} = 1.8\text{ V} + 200\text{ mV}_{pp}$ , $f_{ripple} = 217\text{ Hz}$	86		dB
		$V_{DD} = 1.8\text{ V} + 200\text{ mV}_{pp}$ , $f_{ripple} = 20\text{ kHz}$	73		dB
	Turn on time from release of SW shutdown	No Volume Ramping	1.8		ms
		Volume Ramping	4.5		ms
	Turn off time from assertion of SW shutdown to amp Hi-Z	No Volume Ramping	0.75		ms
		Volume Ramping	12.5		ms
<b>BOOST CONVERTER</b>					
	Max Output Voltage	0.1A DC load, Average voltage (w/o including ripple)	11		V
	Startup inrush current limit	Class-G Mode	1		A
	Startup inrush limit time	Class-G Mode	0.45		ms



## Electrical Characteristics (continued)

$T_A = 25\text{ }^\circ\text{C}$ ,  $V_{BAT} = 3.6\text{ V}$ , (External PVDD = 12 V),  $V_{DD} = 1.8\text{ V}$ ,  $R_L = 8\Omega + 33\text{ }\mu\text{H}$ ,  $f_{in} = 1\text{ kHz}$ , SSM,  $f_s = 48\text{ kHz}$ , Gain = 16 dBV (External PVDD Gain=18 dBV), SDZ = 1, Thermal Foldback Disabled, Measured filter free with an Audio Precision with a 22 Hz to 20 kHz un-weighted bandwidth (unless otherwise noted).

PARAMETER		TEST CONDITIONS	MIN	TYP	MAX	UNIT
	Switching Frequency	PFM mode		50		kHz
		Current Control Mode		4		MHz
	Inductor Peak Current Limit	default setting		4		A
<b>DIE TEMPERATURE SENSOR</b>						
	Resolution			8		bits
	Die temperature measurement range		-40		150	$^\circ\text{C}$
	Die temperature resolution			1		$^\circ\text{C}$
	Die temperature accuracy			$\pm 5$		$^\circ\text{C}$
<b>VOLTAGE MONITOR</b>						
	Resolution			10		bits
	VBAT measurement range		2		6	V
	VBAT resolution			15.6		mV
	VBAT accuracy			$\pm 25$		mV
<b>TDM SERIAL AUDIO PORT</b>						
	PCM Sample Rates & FSYNC Input Frequency		7.35		192	kHz
	SBCLK Input Frequency	I <sup>2</sup> S/TDM Operation	0.4704		24.576	MHz
	SBCLK Maximum Input Jitter	RMS Jitter below 40 kHz that can be tolerated without performance degradation			1	ns
		RMS Jitter above 40 kHz that can be tolerated without performance degradation			10	ns
	SBCLK Cycles per FSYNC in I <sup>2</sup> S and TDM Modes	Values: 64, 96, 128, 192, 256, 384 and 512	64		512	Cycles
<b>PCM PLAYBACK CHARACTERISTICS to <math>f_s \leq 48\text{ kHz}</math></b>						
fs	Sample Rates		7.35		48	kHz
	Passband LPF Corner			0.454		fs
	Passband Ripple	20 Hz to LPF cutoff	-0.3		0.3	dB
	Stop Band Attenuation	$\geq 0.55\text{ fs}$		60		dB
		$\geq 1\text{ fs}$		65		dB
	Group Delay	DC to 0.454 fs			8.6	1/fs
<b>PCM PLAYBACK CHARACTERISTICS <math>f_s &gt; 48\text{ kHz}</math></b>						
fs	Sample Rates		88.2		192	kHz
	Passband LPF Corner	fs = 96 kHz		0.42		fs
		fs = 192 kHz		0.21		fs
	Passband Ripple	DC to LPF cutoff	-0.5		0.5	dB
	Stop Band Attenuation	$\geq 0.55\text{ fs}$		60		dB
		$\geq 1\text{ fs}$		65		dB
	Group Delay	DC to 0.375 fs for 96 kHz			8.6	1/fs
<b>TYPICAL CURRENT CONSUMPTION</b>						
	Current consumption in hardware shutdown	SDZ = 0, VBAT		0.1		$\mu\text{A}$
		SDZ = 0, VDD		1		$\mu\text{A}$
	Current consumption in software shutdown	All Clocks Stopped, VBAT		0.5		$\mu\text{A}$
		All Clocks Stopped, VDD		10		$\mu\text{A}$

**Electrical Characteristics (continued)**

$T_A = 25\text{ }^\circ\text{C}$ ,  $V_{BAT} = 3.6\text{ V}$ , (External PVDD = 12 V),  $V_{DD} = 1.8\text{ V}$ ,  $R_L = 8\Omega + 33\text{ }\mu\text{H}$ ,  $f_{in} = 1\text{ kHz}$ , SSM,  $f_s = 48\text{ kHz}$ , Gain = 16 dBV (External PVDD Gain=18 dBV), SDZ = 1, Thermal Foldback Disabled, Measured filter free with an Audio Precision with a 22 Hz to 20 kHz un-weighted bandwidth (unless otherwise noted).

PARAMETER	TEST CONDITIONS	MIN	TYP	MAX	UNIT
Current consumption in idle channel	Clocking 0s PCM mode, VBAT		2.7		mA
	Clocking 0s PCM mode, VDD		7.9		mA
Current consumption during active operation	$f_s = 48\text{ kHz}$ , VBAT		4.6		mA
	$f_s = 48\text{ kHz}$ , VDD		7.9		mA
<b>PROTECTION CIRCUITRY</b>					
Thermal shutdown temperature			140		$^\circ\text{C}$
Thermal shutdown retry			1.5		s
VBAT undervoltage lockout threshold (UVLO)	UVLO is asserted	2			V
	UVLO is released			2.55	V
Output short circuit limit	Output to Output, Output to GND, Output to VBST or Output to VBAT Short		3.75		A

## 6.6 I<sup>2</sup>C Timing Requirements

T<sub>A</sub> = 25 °C, VDD = 1.8 V (unless otherwise noted)

		MIN	NOM	MAX	UNIT
<b>Standard-Mode</b>					
f <sub>SCL</sub>	SCL clock frequency	0		100	kHz
t <sub>HD,STA</sub>	Hold time (repeated) START condition. After this period, the first clock pulse is generated.	4			μs
t <sub>LOW</sub>	LOW period of the SCL clock	4.7			μs
t <sub>HIGH</sub>	HIGH period of the SCL clock	4			μs
t <sub>SU,STA</sub>	Setup time for a repeated START condition	4.7			μs
t <sub>HD,DAT</sub>	Data hold time: For I <sup>2</sup> C bus devices	0		3.45	μs
t <sub>SU,DAT</sub>	Data set-up time	250			ns
t <sub>r</sub>	SDA and SCL rise time			1000	ns
t <sub>f</sub>	SDA and SCL fall time			300	ns
t <sub>SU,STO</sub>	Set-up time for STOP condition	4			μs
t <sub>BUF</sub>	Bus free time between a STOP and START condition	4.7			μs
C <sub>b</sub>	Capacitive load for each bus line			400	pF
<b>Fast-Mode</b>					
f <sub>SCL</sub>	SCL clock frequency	0		400	kHz
t <sub>HD,STA</sub>	Hold time (repeated) START condition. After this period, the first clock pulse is generated.	0.6			μs
t <sub>LOW</sub>	LOW period of the SCL clock	1.3			μs
t <sub>HIGH</sub>	HIGH period of the SCL clock	0.6			μs
t <sub>SU,STA</sub>	Setup time for a repeated START condition	40.6			μs
t <sub>HD,DAT</sub>	Data hold time: For I <sup>2</sup> C bus devices	0		0.9	μs
t <sub>SU,DAT</sub>	Data set-up time	100			ns
t <sub>r</sub>	SDA and SCL rise time	20 + 0.1 × C <sub>b</sub>		300	ns
t <sub>f</sub>	SDA and SCL fall time	20 + 0.1 × C <sub>b</sub>		300	ns
t <sub>SU,STO</sub>	Set-up time for STOP condition	0.6			μs
t <sub>BUF</sub>	Bus free time between a STOP and START condition	1.3			μs
C <sub>b</sub>	Capacitive load for each bus line	10		400	pF
<b>Fast-Mode Plus</b>					
f <sub>SCL</sub>	SCL clock frequency	0		1000	kHz
t <sub>HD,STA</sub>	Hold time (repeated) START condition. After this period, the first clock pulse is generated.	0.26			μs
t <sub>LOW</sub>	LOW period of the SCL clock	0.5			μs
t <sub>HIGH</sub>	HIGH period of the SCL clock	0.26			μs
t <sub>SU,STA</sub>	Setup time for a repeated START condition	0.26			μs
t <sub>HD,DAT</sub>	Data hold time: For I <sup>2</sup> C bus devices	0			μs
t <sub>SU,DAT</sub>	Data set-up time	50			ns
t <sub>r</sub>	SDA and SCL Rise Time			120	ns
t <sub>f</sub>	SDA and SCL Fall Time			120	ns
t <sub>SU,STO</sub>	Set-up time for STOP condition				μs
t <sub>BUF</sub>	Bus free time between a STOP and START condition	0.5			μs
C <sub>b</sub>	Capacitive load for each bus line	10		550	pF

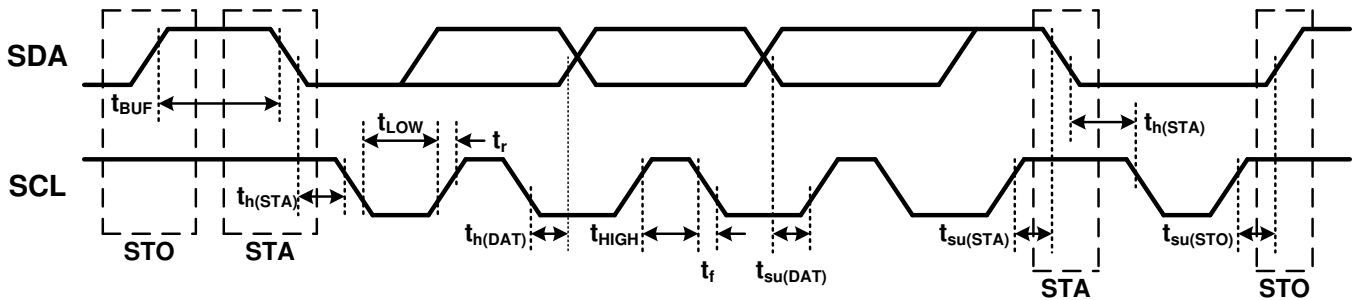
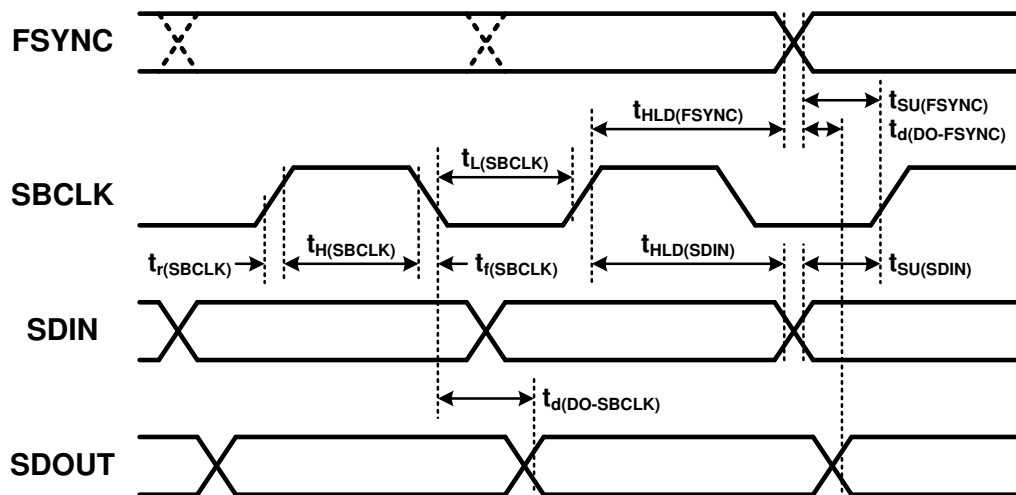
## 6.7 TDM Port Timing Requirements

T<sub>A</sub> = 25 °C, VDD = 1.8 V, 20 pF load on all outputs (unless otherwise noted)

		MIN	NOM	MAX	UNIT
t <sub>H</sub> (SBCLK)	SBCLK high period	20			ns
t <sub>L</sub> (SBCLK)	SBCLK low period	20			ns
t <sub>SU</sub> (FSYNC)	FSYNC setup time	8			ns

**TDM Port Timing Requirements (continued)**
 $T_A = 25\text{ }^\circ\text{C}$ ,  $V_{DD} = 1.8\text{ V}$ , 20 pF load on all outputs (unless otherwise noted)

		MIN	NOM	MAX	UNIT
$t_{\text{HLD}}(\text{FSYNC})$	FSYNC hold time	8			ns
$t_{\text{SU}}(\text{FSYNC})$	SDIN setup time	8			ns
$t_{\text{HLD}}(\text{SDIN})$	SDIN hold time	8			ns
$t_{\text{d}}(\text{DO-SBCLK})$	SBCLK to SDOUT delay	50% of FSYNC to 50% of SDOUT		21	ns
$t_{\text{r}}(\text{SBCLK})$	SBCLK rise time	10% - 90 % Rise Time		8	ns
$t_{\text{f}}(\text{SBCLK})$	SBCLK fall time	90% - 10 % Fall Time		8	ns


**Figure 1. I<sup>2</sup>C Timing Diagram**

**Figure 2. TDM Timing Diagram**

### 6.8 Typical Characteristics

At  $T_A = 25^\circ\text{C}$ ,  $f_{\text{SPK\_AMP}} = 384 \text{ kHz}$ ,  $V_{\text{DD}}=1.8\text{V}$ ,  $V_{\text{BAT}}=3.6\text{V}$ (in external PVDD), input signal is 1 kHz Sine, unless otherwise noted. Filter used for Load Resistance is 30  $\mu\text{H}$ , unless otherwise noted.

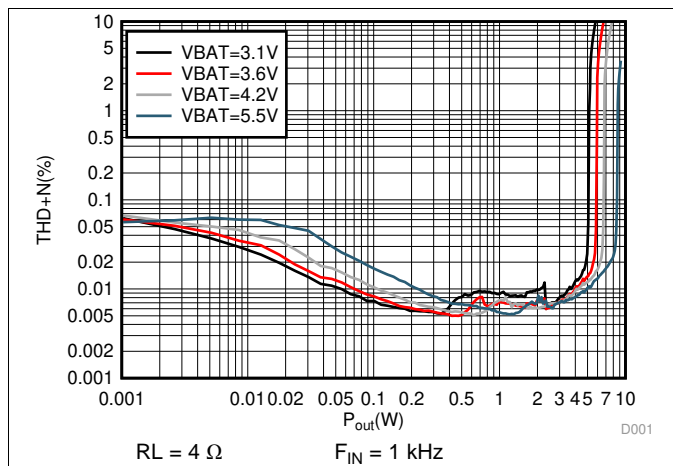


Figure 3. THD+N vs Output Power

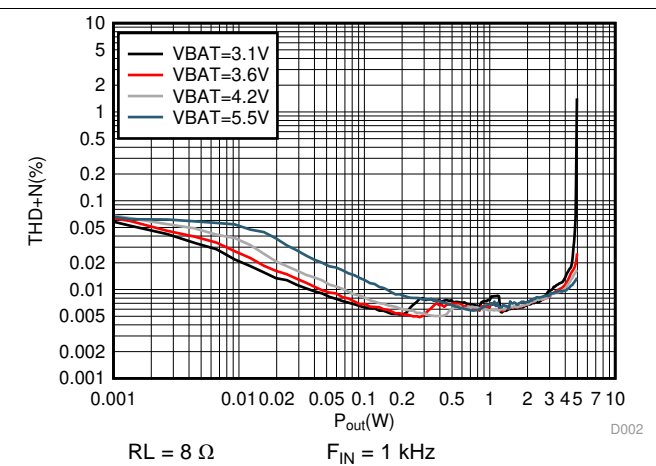


Figure 4. THD+N vs Output Power

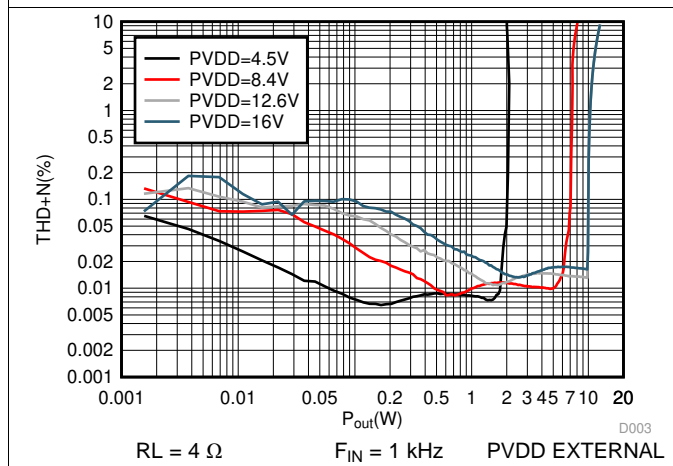


Figure 5. THD+N vs Output Power

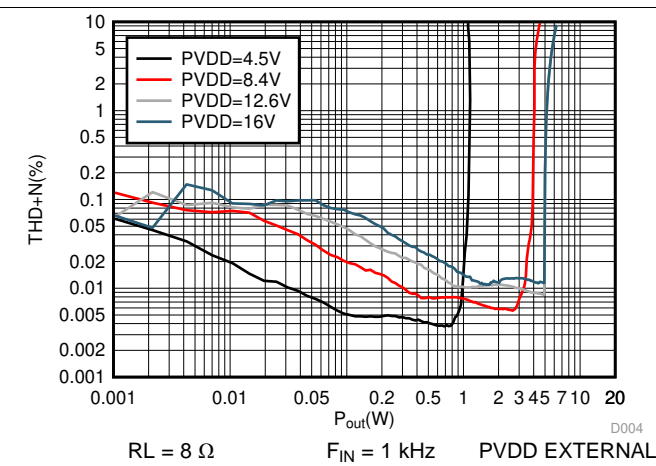


Figure 6. THD+N vs Output Power

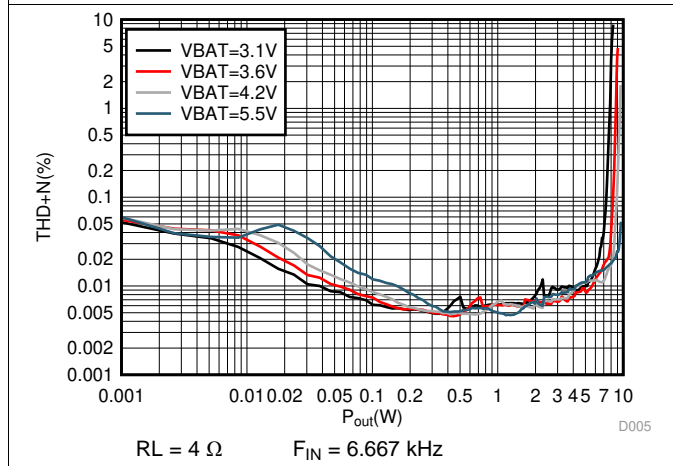


Figure 7. THD+N vs Output Power

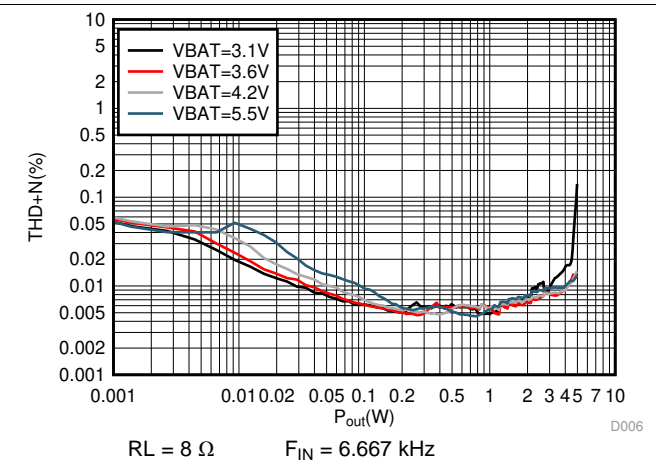
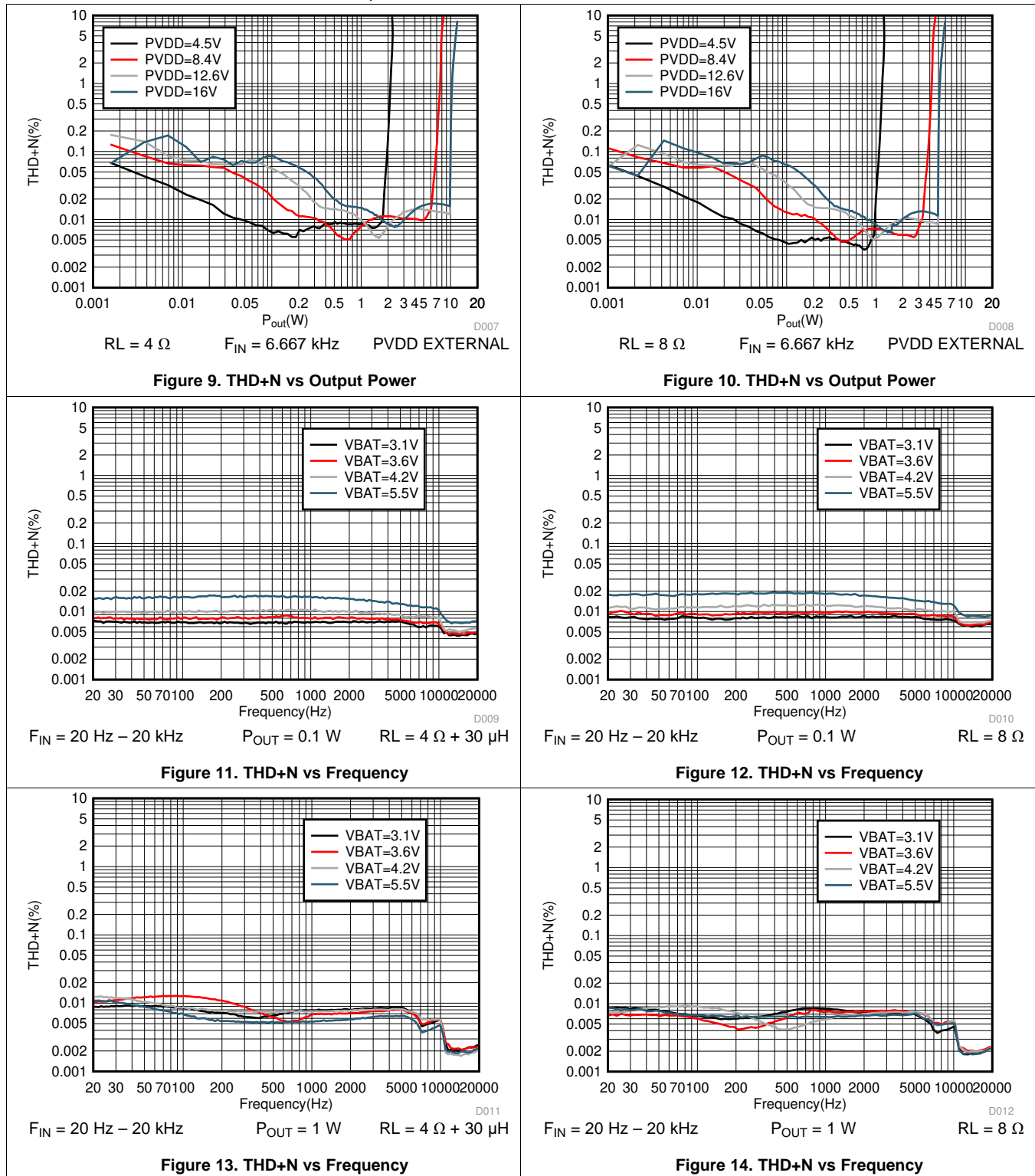


Figure 8. THD+N vs Output Power

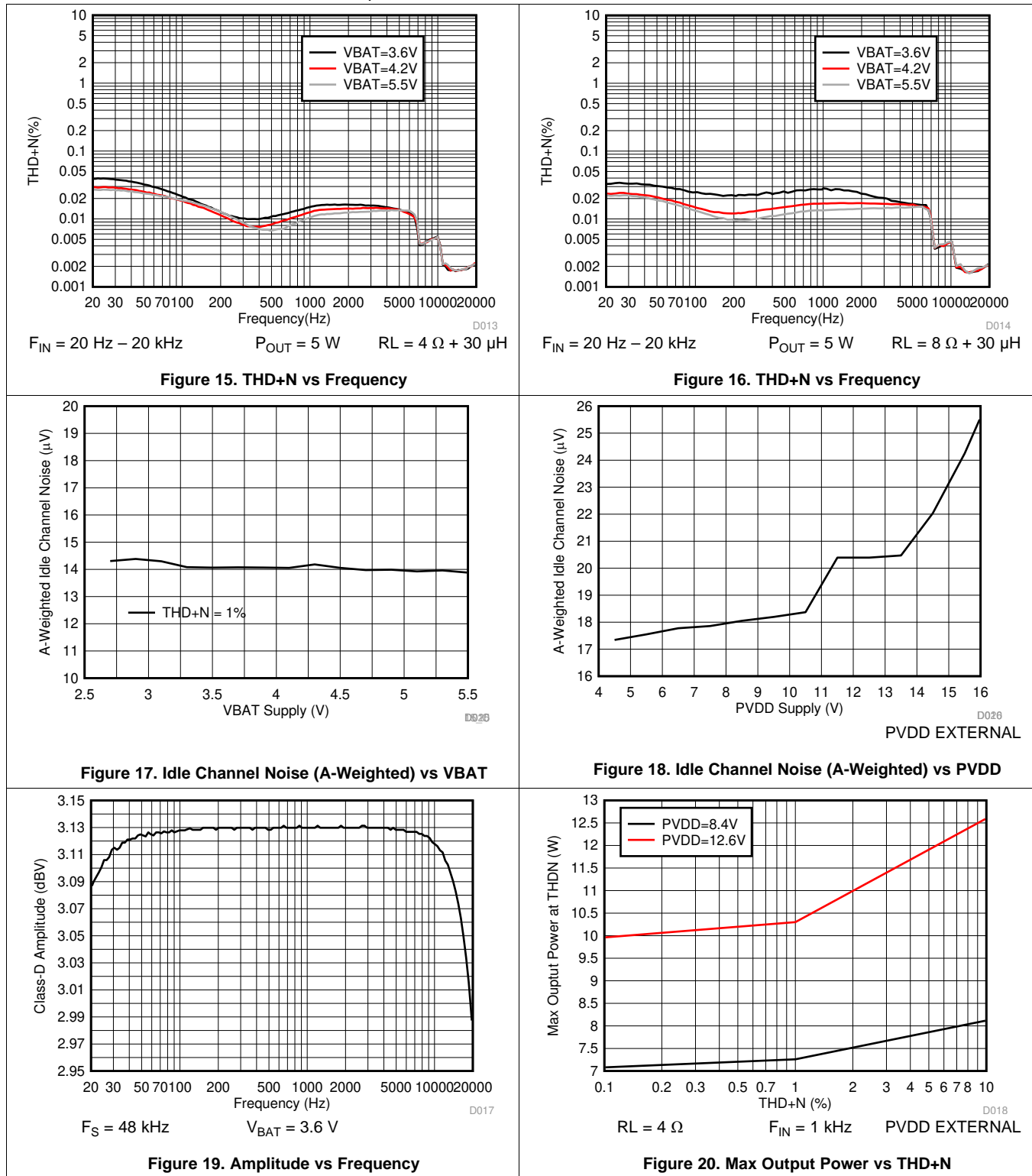
### Typical Characteristics (continued)

At  $T_A = 25^\circ\text{C}$ ,  $f_{\text{SPK\_AMP}} = 384 \text{ kHz}$ ,  $V_{\text{DD}}=1.8\text{V}$ ,  $V_{\text{BAT}}=3.6\text{V}$ (in external PVDD), input signal is 1 kHz Sine, unless otherwise noted. Filter used for Load Resistance is 30  $\mu\text{H}$ , unless otherwise noted.



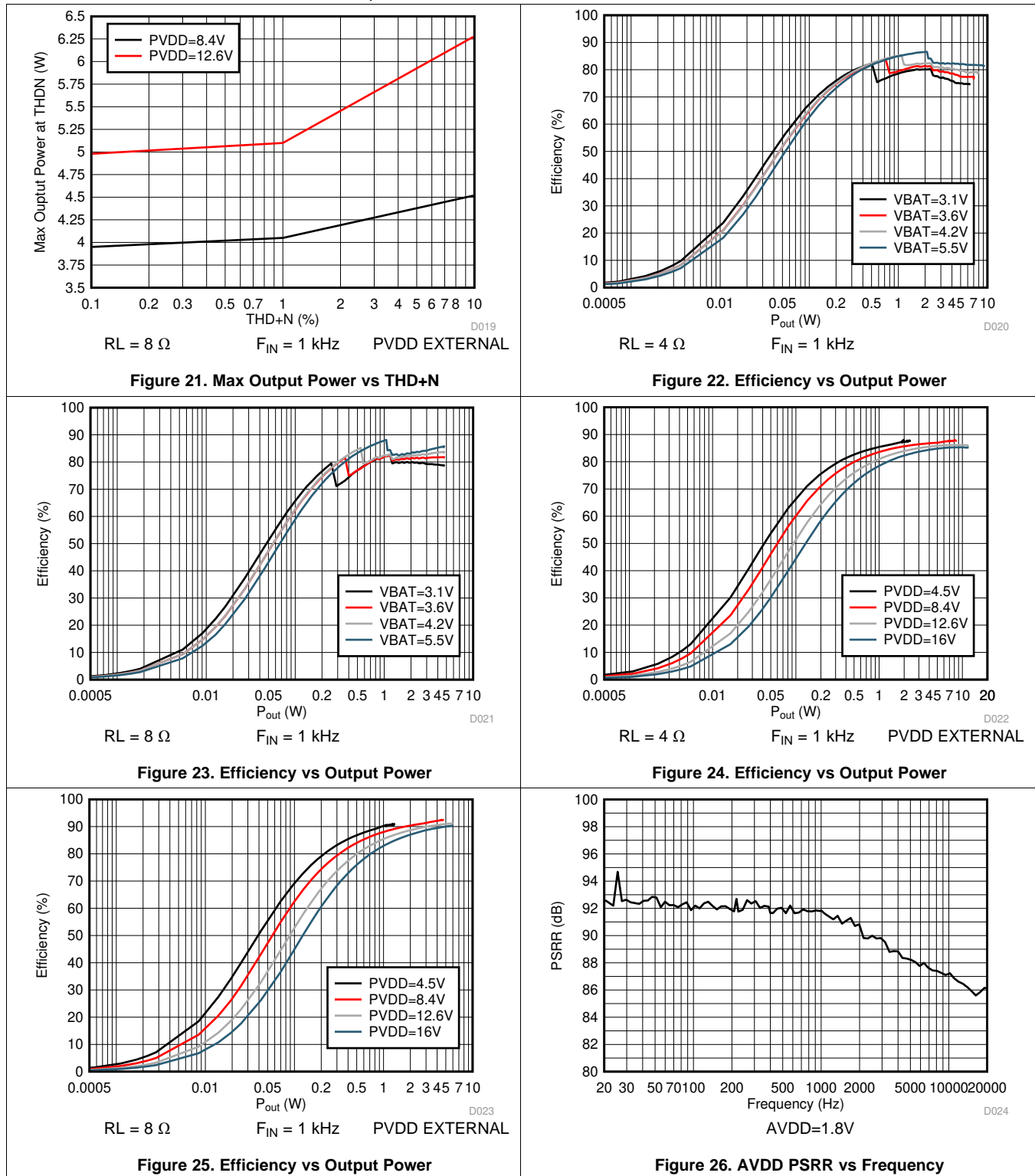
**Typical Characteristics (continued)**

At  $T_A = 25^\circ\text{C}$ ,  $f_{\text{SPK\_AMP}} = 384 \text{ kHz}$ ,  $V_{\text{DD}}=1.8\text{V}$ ,  $V_{\text{BAT}}=3.6\text{V}$ (in external PVDD), input signal is 1 kHz Sine, unless otherwise noted. Filter used for Load Resistance is 30  $\mu\text{H}$ , unless otherwise noted.



Typical Characteristics (continued)

At  $T_A = 25^\circ\text{C}$ ,  $f_{\text{SPK\_AMP}} = 384 \text{ kHz}$ ,  $V_{\text{DD}}=1.8\text{V}$ ,  $V_{\text{BAT}}=3.6\text{V}$ (in external PVDD), input signal is 1 kHz Sine, unless otherwise noted. Filter used for Load Resistance is 30  $\mu\text{H}$ , unless otherwise noted.





Typical Characteristics (continued)

At  $T_A = 25^\circ\text{C}$ ,  $f_{\text{SPK\_AMP}} = 384 \text{ kHz}$ ,  $V_{\text{DD}}=1.8\text{V}$ ,  $V_{\text{BAT}}=3.6\text{V}$ (in external PVDD), input signal is 1 kHz Sine, unless otherwise noted. Filter used for Load Resistance is 30  $\mu\text{H}$ , unless otherwise noted.

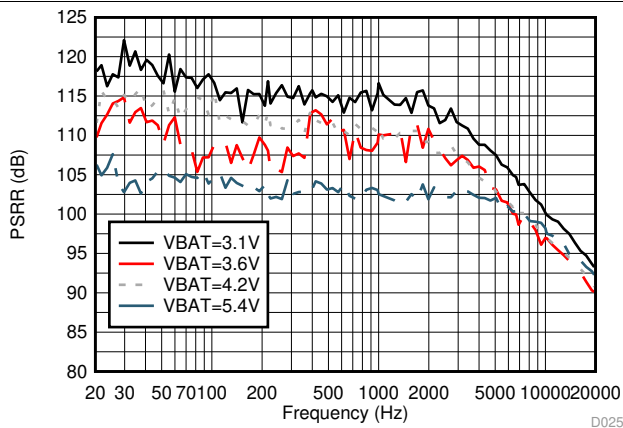


Figure 27. VBAT PSRR vs Frequency

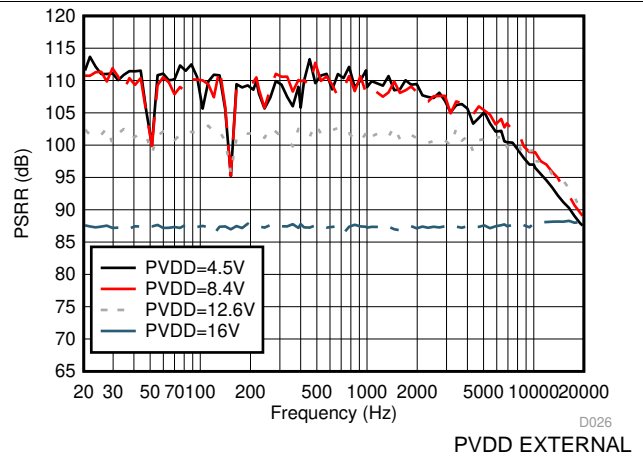


Figure 28. PVDD PSRR vs Frequency

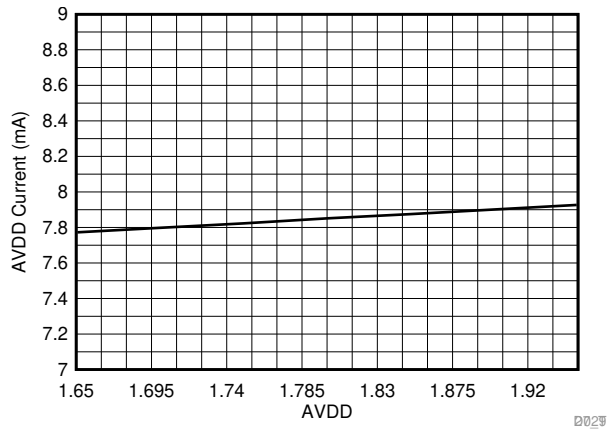


Figure 29. AVDD Idle Current vs AVDD

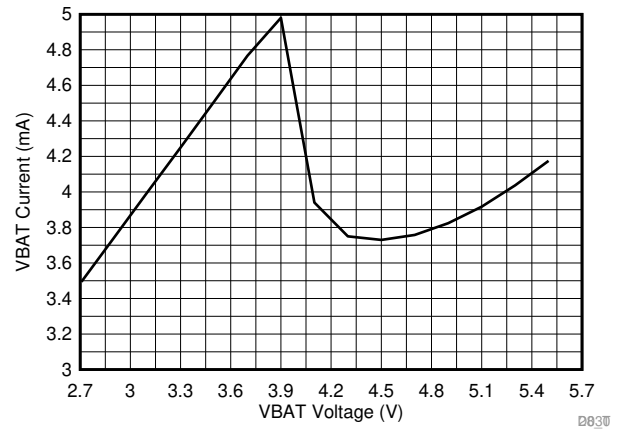


Figure 30. VBAT Idle Current vs VBAT

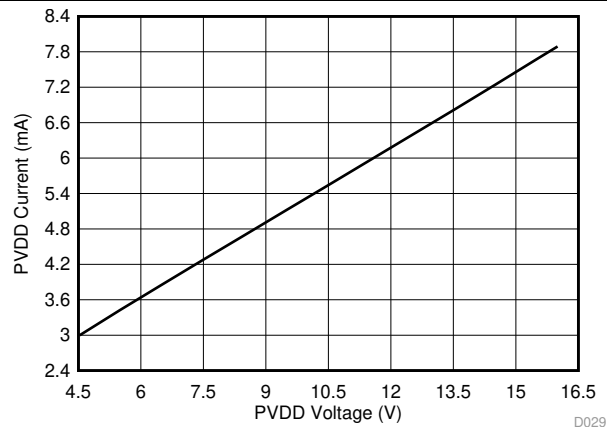
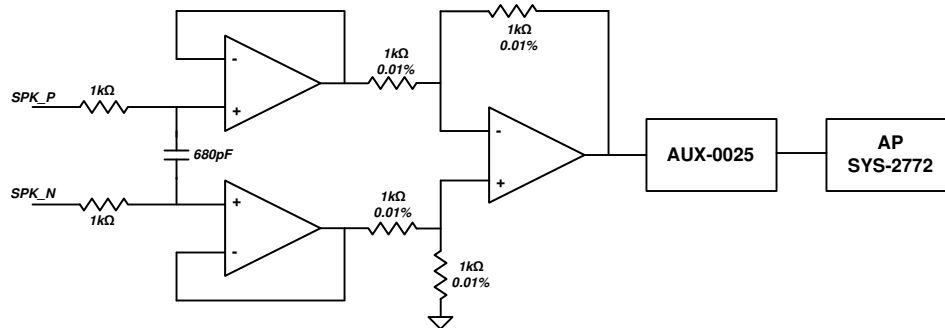


Figure 31. PVDD Idle Current vs PVDD

## 7 Parameter Measurement Information

All typical characteristics for the devices are measured using the Bench EVM and an Audio Precision SYS-2722 Audio Analyzer. A PSIA interface is used to allow the I<sup>2</sup>S interface to be driven directly into the SYS-2722. Speaker output terminals are connected to the Audio-Precision analyzer analog inputs through a differential-to-single ended (D2S) filter as shown below. The D2S filter contains a 1st order Passive pole at 120 kHz. The D2S filter ensures the TAS2110 high performance class-D amplifier sees a fully differential matched loading at its outputs. This prevents measurement errors due to loading effects of AUX-0025 filter on the class-D outputs.



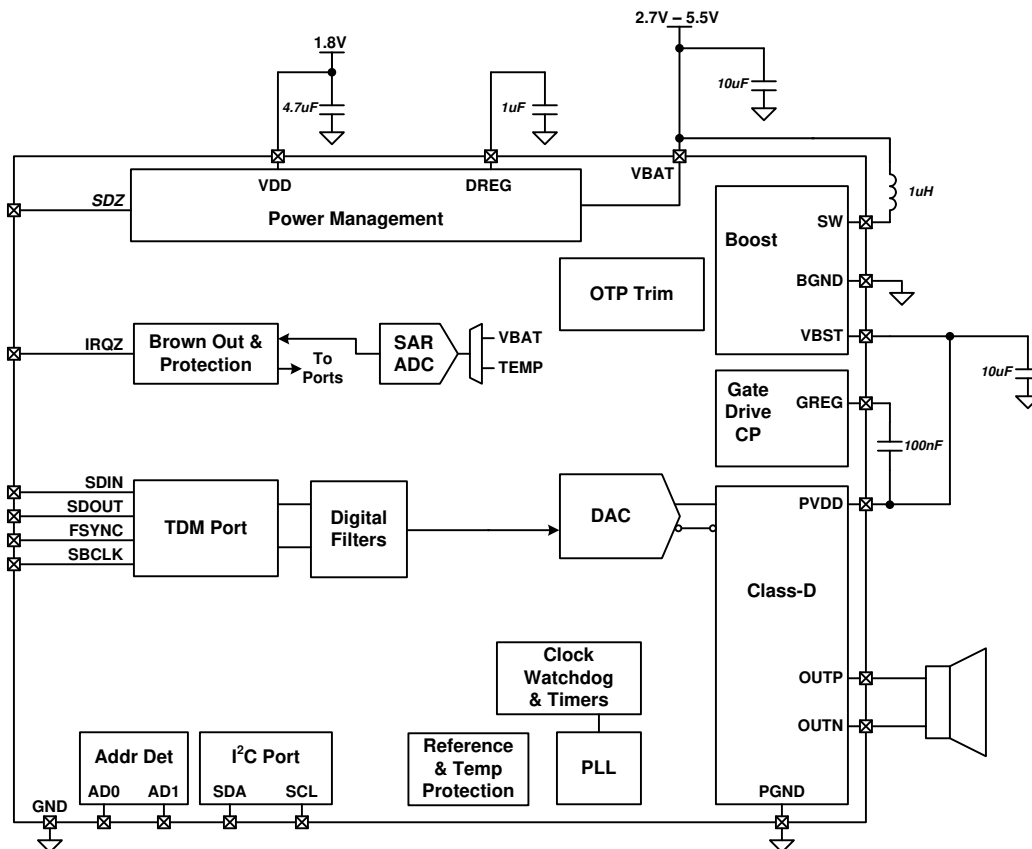
**Figure 32. Differential To Single Ended (D2S) Filter**

## 8 Detailed Description

### 8.1 Overview

The TAS2110 is a mono digital input Class-D amplifier optimized for mobile applications where efficient battery operation and small solution size are crucial. It integrates battery tracking limiting with brown out prevention.

### 8.2 Functional Block Diagram



### 8.3 Feature Description

#### 8.3.1 PurePath™ Console 3 Software

The TAS2110 advanced features and device configuration should be performed using PurePath Console 3 (PPC3) software. The base software PPC3 is downloaded and installed from the TI website. Once installed the TAS2110 application can be download from with-in PPC3. The PCC3 tool will calculate necessary register coefficients that are described in the following sections. It is the recommended method to configure the device. Once the TAS2110 application calculates and updates the device, the registers values can be read back using the PPC3 tool for final system integration.

#### 8.3.2 Device Mode and Address Selection

The TAS2110 can operate using one of four selectable device addresses. In TDM/I<sup>2</sup>S Mode, audio input and output are provided via the FSYNC, SBCLK, SDIN and SDOUT pins using formats including I<sup>2</sup>S, Left Justified and TDM. Configuration and status are provided via the SDA and SCL pins using the I<sup>2</sup>C protocol. [Table 1](#) below illustrates how to select the device I<sup>2</sup>C address. I<sup>2</sup>C slave addresses are shown as 7-bit address format.

**Table 1. I<sup>2</sup>C Mode Address Selection**

I <sup>2</sup> C SLAVE ADDRESS	AD1 PIN	AD0 PIN
0x48 (global address)	NA	NA
0x4C	GND	GND
0x4D	GND	VDD
0x4E	VDD	GND
0x4F	VDD	VDD

The TAS2110 has a global 7-bit I<sup>2</sup>C address 0x48. When enabled the device will additionally respond to I<sup>2</sup>C commands at this address regardless of the AD1 and AD0 pin settings. This is used to speed up device configuration when using multiple TAS2110 devices and programming similar settings across all devices. The I<sup>2</sup>C ACK / NACK cannot be used during the multi-device writes since multiple devices are responding to the I<sup>2</sup>C command. The I<sup>2</sup>C CRC function should be used to ensure each device properly received the I<sup>2</sup>C commands. At the completion of writing multiple devices using the global address, the CRC at *I2C\_CKSUM* register should be checked on each device using the local address for a proper value. The global I<sup>2</sup>C address can be disabled using *I2C\_GBL\_EN* register. The I<sup>2</sup>C address is detected by sampling the address pins when SDZ pin is released. Additionally, the address may be re-detected by setting *I2C\_AD\_DET* high after power up and the pins will be resampled.

**Table 2. I<sup>2</sup>C Global Address Enable**

<i>I2C_GBL_EN</i>	SETTING
0	Disabled
1	Enabled (default)

**Table 3. I<sup>2</sup>C Global Address Enable**

<i>I2C_AD_DET</i>	SETTING
0	normal (default)
1	Re-detect

### 8.3.3 General I<sup>2</sup>C Operation

The I<sup>2</sup>C bus employs two signals, SDA (data) and SCL (clock), to communicate between integrated circuits in a system using serial data transmission. The address and data 8-bit bytes are transferred most-significant bit (MSB) first. In addition, each byte transferred on the bus is acknowledged by the receiving device with an acknowledge bit. Each transfer operation begins with the master device driving a start condition on the bus and ends with the master device driving a stop condition on the bus. The bus uses transitions on the data terminal (SDA) while the clock is at logic high to indicate start and stop conditions. A high-to-low transition on SDA indicates a start, and a low-to-high transition indicates a stop. Normal data-bit transitions must occur within the low time of the clock period. shows a typical sequence.

The master generates the 7-bit slave address and the read/write (R/W) bit to open communication with another device and then waits for an acknowledge condition. The device holds SDA low during the acknowledge clock period to indicate acknowledgment. When this occurs, the master transmits the next byte of the sequence. Each device is addressed by a unique 7-bit slave address plus R/W bit (1 byte). All compatible devices share the same signals via a bi-directional bus using a wired-AND connection.

Use external pull-up resistors for the SDA and SCL signals to set the logic-high level for the bus. Use pull-up resistors between 2 kΩ and 4.7 kΩ. Do not allow the SDA and SCL voltages to exceed the device supply voltage, . The I<sup>2</sup>C pins are fault tolerant and will not load the I<sup>2</sup>C bus when the device is powered down.

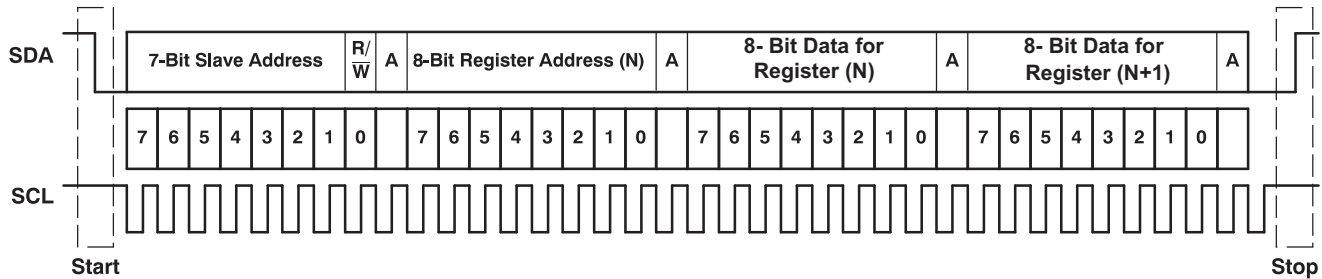


Figure 33. Typical I<sup>2</sup>C Sequence

There is no limit on the number of bytes that can be transmitted between start and stop conditions. When the last word transfers, the master generates a stop condition to release the bus. Figure 33 shows a generic data transfer sequence.

### 8.3.4 Single-Byte and Multiple-Byte Transfers

The serial control interface supports both single-byte and multiple-byte read/write operations for all registers. During multiple-byte read operations, the TAS2110 responds with data, a byte at a time, starting at the register assigned, as long as the master device continues to respond with acknowledges.

The TAS2110 supports sequential I<sup>2</sup>C addressing. For write transactions, if a register is issued followed by data for that register and all the remaining registers that follow, a sequential I<sup>2</sup>C write transaction has taken place. For I<sup>2</sup>C sequential write transactions, the register issued then serves as the starting point, and the amount of data subsequently transmitted, before a stop or start is transmitted, determines to how many registers are written.

### 8.3.5 Single-Byte Write

As shown in Figure 34, a single-byte data-write transfer begins with the master device transmitting a start condition followed by the I<sup>2</sup>C device address and the read/write bit. The read/write bit determines the direction of the data transfer. For a write-data transfer, the read/write bit must be set to 0. After receiving the correct I<sup>2</sup>C device address and the read/write bit, the TAS2110 responds with an acknowledge bit. Next, the master transmits the register byte corresponding to the device internal memory address being accessed. After receiving the register byte, the device again responds with an acknowledge bit. Finally, the master device transmits a stop condition to complete the single-byte data-write transfer.

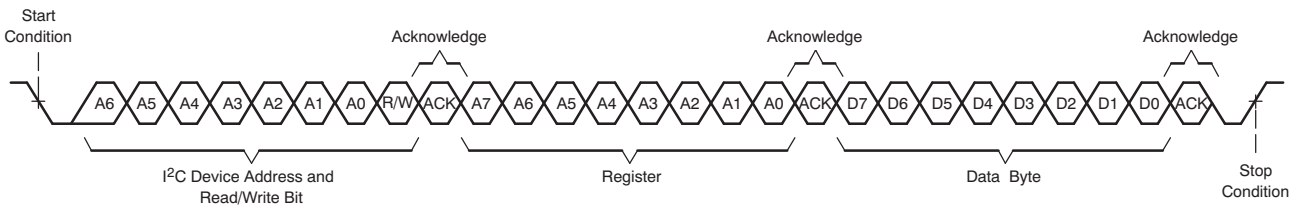


Figure 34. Single-Byte Write Transfer

### 8.3.6 Multiple-Byte Write and Incremental Multiple-Byte Write

A multiple-byte data write transfer is identical to a single-byte data write transfer except that multiple data bytes are transmitted by the master device to the TAS2110 as shown in Figure 35. After receiving each data byte, the device responds with an acknowledge bit.

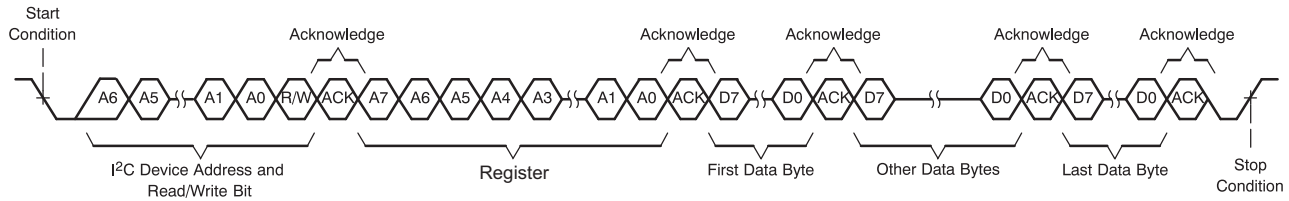


Figure 35. Multi-Byte Write Transfer

### 8.3.7 Single-Byte Read

As shown in Figure 36, a single-byte data-read transfer begins with the master device transmitting a start condition followed by the I<sup>2</sup>C device address and the read/write bit. For the data-read transfer, both a write followed by a read are actually done. Initially, a write is done to transfer the address byte of the internal memory address to be read. As a result, the read/write bit is set to a 0.

After receiving the TAS2110 address and the read/write bit, the device responds with an acknowledge bit. The master then sends the internal memory address byte, after which the device issues an acknowledge bit. The master device transmits another start condition followed by the TAS2110 address and the read/write bit again. This time, the read/write bit is set to 1, indicating a read transfer. Next, the TAS2110 transmits the data byte from the memory address being read. After receiving the data byte, the master device transmits a not-acknowledge followed by a stop condition to complete the single-byte data read transfer.

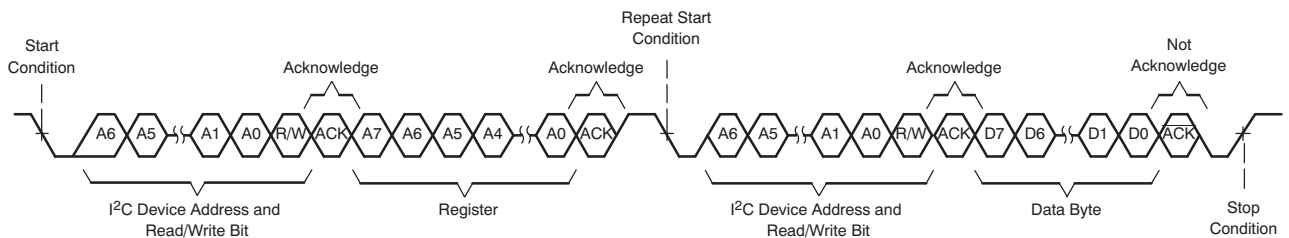


Figure 36. Single-Byte Read Transfer

### 8.3.8 Multiple-Byte Read

A multiple-byte data-read transfer is identical to a single-byte data-read transfer except that multiple data bytes are transmitted by the TAS2110 to the master device as shown in Figure 37. With the exception of the last data byte, the master device responds with an acknowledge bit after receiving each data byte.

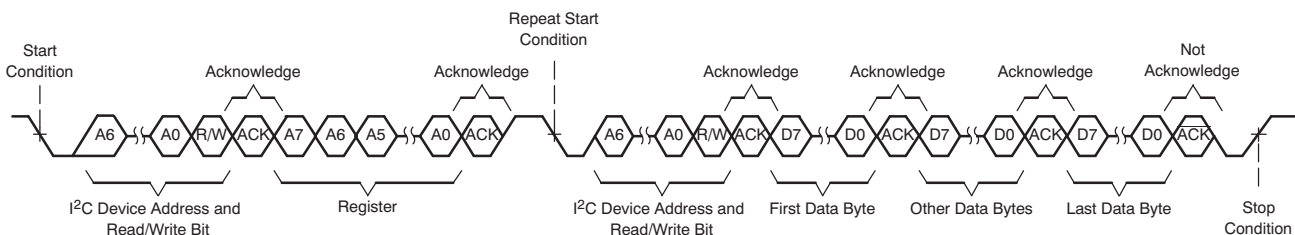


Figure 37. Multi-Byte Read Transfer

### 8.3.9 Register Organization

Device configuration and coefficients are stored using a page and book scheme. Each page contains 128 bytes and each book contains 256 pages. All device configuration registers are stored in book 0, page 0, which is the default setting at power up (and after a software reset). The book and page can be set by the *BOOK[7:0]* and *PAGE[7:0]* registers respectively.

### 8.3.10 Operational Modes

#### 8.3.10.1 Hardware Shutdown

The device enters Hardware Shutdown mode if the SDZ pin is asserted low. In Hardware Shutdown mode, the device consumes the minimum quiescent current from VDD and VBAT supplies. All registers loose state in this mode and I<sup>2</sup>C communication is disabled.

In normal shutdown mode if SDZ is asserted low while audio is playing, the device will ramp down volume on the audio, stop the Class-D switching, power down analog and digital blocks and finally put the device into Hardware Shutdown mode. If configured in normal with timeout shutdown mode the device will force a hard shutdown after a timeout of the configurable shutdown timer. Finally the device can be configured for hard shutdown and will not attempt to gracefully stop the audio channel.

**Table 4. Shutdown Control**

<i>SDZ_MODE[1:0]</i>	SETTING
00	Normal Shutdown with Timer (default)
01	Immediate Shutdown
10	Normal Shutdown
11	Reserved

**Table 5. Shutdown Control**

<i>SDZ_TIMEOUT[1:0]</i>	SETTING
00	2 ms
01	4 ms
10	6 ms (default)
11	23.8 ms

When SDZ is released, the device will sample the AD0 and AD1 pins and enter the software shutdown mode.

#### 8.3.10.2 Software Shutdown

Software Shutdown mode powers down all analog blocks required to playback audio, but does not cause the device to loose register state. Software Shutdown is enabled by asserting the *MODE[1:0]* register bits to 2'b10. If audio is playing when Software Shutdown is asserted, the Class-D will volume ramp down before shutting down. When deasserted, the Class-D will begin switching and volume ramp back to the programmed digital volume setting.

#### 8.3.10.3 Mute

The TAS2110 will volume ramp down the Class-D amplifier to a mute state by setting the *MODE[1:0]* register bits to 2'b01. During mute the Class-D still switches, but transmits no audio content. If mute is deasserted, the device will volume ramp back to the programmed digital volume setting.

#### 8.3.10.4 Active

In Active Mode the Class-D switches and plays back audio. Speaker voltage and current sensing are operational if enabled. Set the *MODE[1:0]* register bits to 2'b00 to enter active mode.

#### 8.3.10.5 Mode Control and Software Reset

The TAS2110 mode can be configured by writing the *MODE[1:0]* bits.

**Table 6. Mode Control**

<i>MODE[1:0]</i>	SETTING
00	Active
01	Mute

**Table 6. Mode Control (continued)**

<i>MODE[1:0]</i>	<b>SETTING</b>
10	Software Shutdown (default)
11	Reserved

A software reset can be accomplished by asserting the *SW\_RESET* bit, which is self clearing. This will restore all registers to their default values.

**Table 7. Software Reset**

<i>SW_RESET</i>	<b>SETTING</b>
0	Don't reset (default)
1	Reset

### 8.3.11 Faults and Status

During the power-up sequence, the power-on-reset circuit (POR) monitoring the VDD and VBAT pins will hold the device in reset (including all configuration registers) until the supply is valid. The device will not exit hardware shutdown until VDD and VBAT are valid and the SDZ pin is released. Once SDZ is released, the digital core voltage regulator will power up, enabling detection of the operational mode. If VDD dips below the POR threshold, the device will immediately be forced into a reset state.

The device also monitors the VBAT supply and holds the analog core in power down if the supply is below the UVLO threshold. If the TAS2110 is in active operation and a UVLO fault occurs, the analog supplies will immediately power down to protect the device. These faults are latching and require a transition through HW/SW shutdown to clear the fault. The live and latched registers will report UVLO faults.

The device transitions into software shutdown mode if it detects any faults with the TDM clocks such as:

- Invalid SBCLK to FSYNC ratio
- Invalid FSYNC frequency
- Halting of SBCLK or FSYNC clocks

Upon detection of a TDM clock error, the device transitions into software shutdown mode as quickly as possible to limit the possibility of audio artifacts. Once all TDM clock errors are resolved, the device volume ramps back to its previous playback state. During a TDM clock error, the IRQZ pin will assert low if the clock error interrupt mask register bit is set low (*INT\_MASK[2]*). The clock fault is also available for readback in the live or latched fault status registers (*INT\_LIVE[2]* and *INT\_LTCH[2]*). Reading the latched fault status register (*INT\_LTCH[7:0]*) clears the register.

The TAS2110 also monitors die temperature and Class-D load current and will enter software shutdown mode if either of these exceed safe values. As with the TDM clock error, the IRQZ pin will assert low for these faults if the appropriate fault interrupt mask register bit is set low (*INT\_MASK[0]* for over temp and *INT\_MASK[1]* for over current). The fault status can also be monitored in the live and latched fault registers as with the TDM clock error.

Die over temp and Class-D over current errors can either be latching (for example the device will enter software shutdown until a HW/SW shutdown sequence is applied) or they can be configured to automatically retry after a prescribed time. This behavior can be configured in the *OTE\_RETRY* and *OCE\_RETRY* register bits (for over temp and over current respectively). Even in latched mode, the Class-D will not attempt to retry after an over temp or over current error until the retry time period (1.5 s) has elapsed. This prevents applying repeated stress to the device in a rapid fashion that could lead to device damage. If the device has been cycled through SW/HW shutdown, the device will only begin to operate after the retry time period.

The status registers (and IRQZ pin if enabled via the status mask register) also indicates limiter behavior including when the limiter is activity, when VBAT is below the inflection point, when maximum attenuation has been applied, when the limiter is in infinite hold and when the limiter has muted the audio.

Interrupts can be queried using the *INT\_LIVE[9:0]* and *INT\_LTCH[13:0]* registers and correspond to the *INT\_MASK[10:0]* Interrupts. The latched registers are cleared by writing the self clearing register *INT\_CLR\_LTCH* high.



The IRQZ pin is an open drain output that asserts low during unmasked fault conditions and therefore must be pulled up with a resistor to . An internal pull up resistor is provided in the TAS2110 and can be accessed by setting the *IRQZ\_PU* register bit high. Figure 38 below highlights the IRQZ pin circuit.

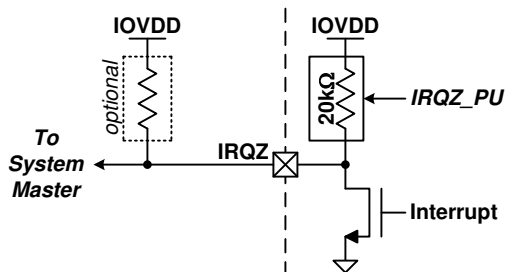


Figure 38. IRQZ Pin

Table 8. Fault Interrupt Mask

INT_MASK[10:0] BIT	INTERRUPT	DEFAULT (1 = Mask)
0	Over Temp Error	0
1	Over Current Error	0
2	TDM Clock Error	1
3	Limiter Active	1
4	Limiter Voltage < Inf Point	1
5	Limiter Max Atten	1
6	Limiter Inf Hold	1
7	Limiter Mute	1
8	Brown Out on VBAT Supply	0
9	Brown Out Protection Active	1
10	Brown Out Power Down (Latched Only)	1

Table 9. IRQ Clear Latched

INT_CLR_LTCH	STATE
0	Don't Clear
1	Clear (self clearing)

Table 10. IRQZ Internal Pull Up Enable

IRQZ_PU	STATE
0	Disabled (default)
1	Enabled

Table 11. IRQZ Polarity

IRQZ_POL	STATE
0	Active High
1	Active Low (default)

**Table 12. IRQZ Assert Interrupt Configuration**

<i>IRQZ_PIN_CFG[1:0]</i>	VALUE
00	On any unmasked live interrupts
01	On any unmasked latched interrupts (default)
10	For 2-4 ms one time on any unmasked live interrupt event
11	For 2-4 ms every 4 ms on any unmasked latched interrupts

**Table 13. Retry after Over Current Event**

<i>OCE_RETRY</i>	STATE
0	Disabled (default)
1	Enabled

**Table 14. Retry after Over Temperature Event**

<i>OTE_RETRY</i>	VALUE
0	Do not retry (default)
1	Retry after 1.5 s

### 8.3.12 Power Sequencing Requirements

There are no other power sequencing requirements for order of rate of ramping up or down.

### 8.3.13 Digital Input Pull Downs

Each digital input and IO has an optional weak pull down to prevent the pin from floating. Pull downs are not enabled during HW shutdown.

**Table 15. Digital Input Pull Down Enables**

REGISTER BIT	DESCRIPTION	BIT VALUE	STATE
<i>DIN_PD[0]</i>	Weak pull down for SBCLK.	0	Disabled (default)
		1	Enabled
<i>DIN_PD[1]</i>	Weak pull down for FSYNC.	0	Disabled (default)
		1	Enabled
<i>DIN_PD[2]</i>	Weak pull down for SDIN.	0	Disabled (default)
		1	Enabled
<i>DIN_PD[3]</i>	Weak pull down for SDOUT.	0	Disabled (default)
		1	Enabled
<i>DIN_PD[4]</i>	Weak pull down for AD0.	0	Disabled (default)
		1	Enabled
<i>DIN_PD[5]</i>	Weak pull down for AD1.	0	Disabled (default)
		1	Enabled
<i>DIN_PD[7]</i>	Weak pull down for GPIO.	0	Disabled
		1	Enabled (default)

## 8.4 Device Functional Modes

### 8.4.1 TDM Port

The TAS2110 provides a flexible TDM serial audio port. The port can be configured to support a variety of formats including stereo I<sup>2</sup>S, Left Justified and TDM. Mono audio playback is available via the SDIN pin. The SDOUT pin is used to transmit sample streams including VBAT voltage, die temperature and channel gain.

## Device Functional Modes (continued)

The TDM serial audio port supports up to 16 32-bit time slots at 44.1/48 kHz, 8 32-bit time slots at a 88.2/96 kHz sample rate and 4 32-bit time slots at a 176.4/192 kHz sample rate. The device supports 2 time slots at 32 bits in width and 4 or 8 time slots at 16, 24 or 32 bits in width. Valid SBCLK to FSYNC ratios are 64, 96, 128, 192, 256, 384 and 512. The device will automatically detect the number of time slots and this does not need to be programmed.

By default, the TAS2110 will automatically detect the PCM playback sample rate. This can be disabled by setting the *AUTO\_RATE* register bit high and manually configuring the device.

The *SAMP\_RATE* register bits set the PCM audio sample rate when *AUTO\_RATE* is enabled. The TAS2110 employs a robust clock fault detection engine that will automatically volume ramp down the playback path if FSYNC does not match the configured sample rate (*AUTO\_RATE* enabled) or the ratio of SBCLK to FSYNC is not supported (minimizing any audible artifacts). Once the clocks are detected to be valid in both frequency and ratio, the device will automatically volume ramp the playback path back to the configured volume and resume playback.

When using the auto rate detection the sampling rate and SBCLK to FSYNC ration detected on the TDM bus is reported back on the read-only register *FS\_RATE* and *FS\_RATIO* respectively.

While the sampling rate of 192 kHz is supported, it is internally down-sampled to 96 kHz. Therefore audio content greater than 40 kHz should not be applied to prevent aliasing. This additionally effects all processing blocks like BOP and limiter which should use 96 kHz fs when accepting 192 kHz audio. It is recommend to use [PurePath™ Console 3 Software](#) to configure the device.

**Table 16. PCM Auto Sample Rate Detection**

<i>AUTO_RATE</i>	SETTING
0	Enabled (default)
1	Disabled

**Table 17. PCM Audio Sample Rates**

<i>SAMP_RATE</i> [2:0]	<i>FS_RATE</i> (read only)	SAMPLE RATE
000	000	7.35kHz / 8 kHz
001	001	14.7kHz / 16kHz
010	010	22.05 kHz / 24 kHz
011	011	29.4 kHz / 32 kHz
100	100	44.1 kHz / 48 kHz (default)
101	101	88.2 kHz / 96 kHz
110	110	176.4 kHz / 192 kHz
111	111	Reserved

**Table 18. PCM SBCLK to FSYNC Ratio Rates**

<i>FS_RATIO</i> [3:0]	SAMPLE RATE
0x0–0x3	Reserved
0x4	64
0x5	96
0x6	128
0x7	192
0x8	256
0x9	384
0xA	512
0xB–0xE	Reserved
0xF	Error Condition

Figure 39 and Figure 40 below illustrates the receiver frame parameters required to configure the port for playback. A frame begins with the transition of FSYNC from either high to low or low to high (set by the *FRAME\_START* register bit). FSYNC and SDIN are sampled by SBCLK using either the rising or falling edge (set by the *RX\_EDGE* register bit). The *RX\_OFFSET* register bits define the number of SBCLK cycles from the transition of FSYNC until the beginning of time slot 0. This is typically set to a value of 0 for Left Justified format and 1 for an I<sup>2</sup>S format.

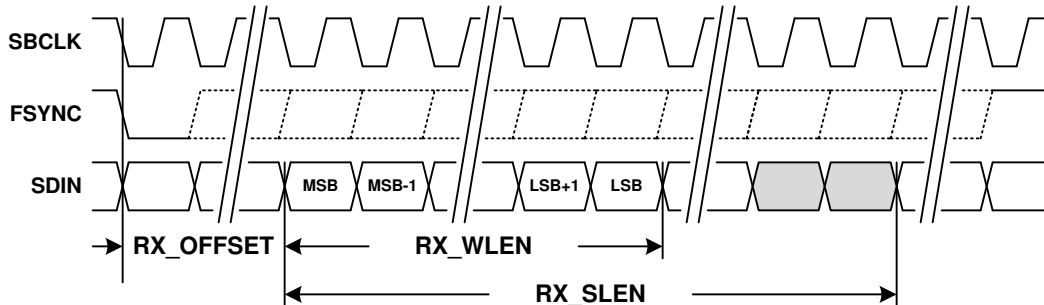


Figure 39. TDM RX Time Slot with Left Justification

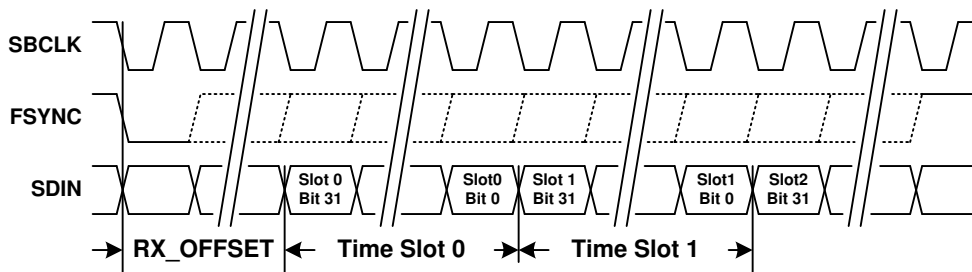


Figure 40. TDM RX Time Slots

Table 19. TDM Start of Frame Polarity

FRAME_START	POLARITY
0	Low to High on FSYNC <sup>(1)</sup>
1	High to Low on FSYNC (default) <sup>(2)</sup>

- (1) When Low to High is used *RX\_EDGE* and *TX\_EDGE* cannot both simultaneously be set to rising edge.
- (2) When High to Low is used *RX\_EDGE* and *TX\_EDGE* cannot both simultaneously be set to falling edge.

Table 20. TDM RX Capture Polarity

RX_EDGE	FSYNC AND SDIN CAPTURE EDGE
0	Rising edge of SBCLK (default)
1	Falling edge of SBCLK

Table 21. TDM RX Start of Frame to Time Slot 0 Offset

RX_OFFSET[4:0]	SBCLK CYCLES
0x00	0
0x01	1 (default)
0x02	2
...	...
0x1E	30
0x1F	31

The *RX\_SLEN[1:0]* register bits set the length of the RX time slot. The length of the audio sample word within the time slot is configured by the *RX\_WLEN[1:0]* register bits. The RX port will left justify the audio sample within the time slot by default, but this can be changed to right justification via the *RX\_JUSTIFY* register bit. The TAS2110 supports mono and stereo down mix playback ( $[L+R]/2$ ) via the left time slot, right time slot and time slot configuration register bits (*RX\_SLOT\_L[3:0]*, *RX\_SLOT\_R[3:0]* and *RX\_SCFG[1:0]* respectively). By default the device will playback mono from the time slot equal to the I<sup>2</sup>C base address offset for playback. The *RX\_SCFG[1:0]* register bits can be used to override the playback source to the left time slot, right time slot or stereo down mix set by the *RX\_SLOT\_L[3:0]* and *RX\_SLOT\_R[3:0]* register bits.

If time slot selections places reception either partially or fully beyond the frame boundary, the receiver will return a null sample equivalent to a digitally muted sample.

**Table 22. TDM RX Time Slot Length**

<i>RX_SLEN[1:0]</i>	TIME SLOT LENGTH
00	16-bits
01	24-bits
10	32-bits (default)
11	reserved

**Table 23. TDM RX Sample Word Length**

<i>RX_WLEN[1:0]</i>	LENGTH
00	16-bits
01	20-bits
10	24-bits (default)
11	32-bits

**Table 24. TDM RX Sample Justification**

<i>RX_JUSTIFY</i>	JUSTIFICATION
0	Left (default)
1	Right

**Table 25. TDM RX Time Slot Select Configuration**

<i>RX_SCFG[1:0]</i>	CONFIG ORIGIN
00	Mono with Time Slot equal to I <sup>2</sup> C Address Offset (default)
01	Mono Left Channel
10	Mono Right Channel
10	Stereo Down Mix $[L+R]/2$

**Table 26. TDM RX Left Channel Time Slot**

<i>RX_SLOT_L[3:0]</i>	TIME SLOT
0x0	0 (default)
0x1	1
...	...
0xE	14
0xF	15

**Table 27. TDM RX Right Channel Time Slot**

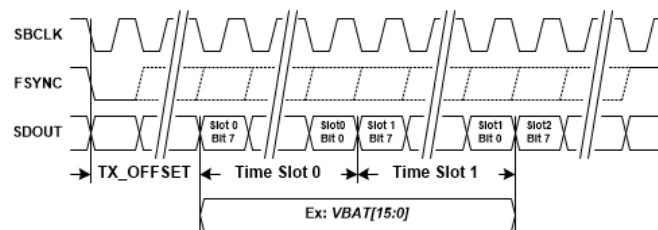
<i>RX_SLOT_R[3:0]</i>	TIME SLOT
0x0	0
0x1	1 (default)

**Table 27. TDM RX Right Channel Time Slot (continued)**

<i>RX_SLOT_R[3:0]</i>	TIME SLOT
...	...
0xE	14
0xF	15

The TDM port can transmit a number sample streams on the SDOUT pin including, VBAT voltage, die temperature and channel gain. below illustrates the alignment of time slots to the beginning of a frame and how a given sample stream is mapped to time slots. Either the rising or falling edge of SBCLK can be used to transmit data on the SDOUT pin, which can be configured by setting the *TX\_EDGE* register bit. The *TX\_OFFSET* register defines the number SBCLK cycles between the start of a frame and the beginning of time slot 0. This would typically be programmed to 0 for Left Justified format and 1 for I<sup>2</sup>S format. The TDM TX can either transmit logic 0 or Hi-Z depending on the setting of the *TX\_FILL* register bit setting. An optional bus keeper will weakly hold the state of SDOUT when all devices driving are Hi-Z. Since only one bus keeper is required on SDOUT, this feature can be disabled via the *TX\_KEEPCY* register bit. The bus-keeper can additionally be configured to be enabled for only 1LSB cycle or always using *TX\_KEEPLN* and to drive the full or half cycle of the LSB using *TX\_KEEPCY*.

Each sample stream is composed of either one or two 8-bit time slots.. The VBAT voltage stream is 10-bit precision, and can either be transmitted left justified in a 16-bit word (using two time slots) or can be truncated to 8-bits (the top 8 MSBs) and be transmitted in a single time slot. This is configured by setting *VBAT\_SLEN* register bit. The Die temperature and gain are both 8-bit precision and are transmitted in a single time slot.


**Figure 41. TDM Port TX Diagram**
**Table 28. TDM TX Transmit Polarity**

<i>TX_EDGE</i>	SDOUT TRANSMIT EDGE
0	Rising edge of SBCLK
1	Falling edge of SBCLK (default)

**Table 29. TDM TX Start of Frame to Time Slot 0 Offset**

<i>TX_OFFSET[2:0]</i>	SBCLK CYCLES
0x0	0
0x1	1 (default)
0x2	2
...	...
0x6	6
0x7	7

**Table 30. TDM TX Unused Bit Field Fill**

<i>TX_FILL</i>	SDOUT UNUSED BIT FIELDS
0	Transmit 0
1	Transmit Hi-Z (default)

**Table 31. TDM TX SDOUT Bus Keeper Enable**

<i>TX_KEEPEM</i>	<b>SDOUT BUS KEEPER</b>
0	Disable bus keeper
1	Enable bus keeper (default)

**Table 32. TDM TX SDOUT Bus Keeper Length**

<i>TX_KEEPLN</i>	<b>SDOUT BUS KEEPER ENABLED FOR</b>
0	1 LSB cycle (default)
1	Always

**Table 33. TDM TX SDOUT Bus Keeper LSB Cycle**

<i>TX_KEEPCY</i>	<b>SDOUT BUS KEEPER DRIVEN</b>
0	full-cycle (default)
1	half-cycle

The time slot register for each sample stream defines where the MSB transmission begins. Each sample stream can be individually enabled or disabled. This is useful to manage limited TDM bandwidth since it may not be necessary to transmit all streams for all devices on the bus.

It is important to ensure that time slot assignments for actively transmitted sample streams do not conflict. This will produce unpredictable transmission results in the conflicting bit slots

If time slot selections place transmission beyond the frame boundary, the transmitter will truncate transmission at the frame boundary.

It is recommended to keep the following slot ordering:

VBAT\_SLOT<TEMP\_SLOT<GAIN\_SLOT.

**Table 34. TDM VBAT Time Slot**

<i>VBAT_SLOT[5:0]</i>	<b>SLOT</b>
0x00	0
0x01	1
...	...
0x04	4 (default)
...	...
0x3E	62
0x3F	63

**Table 35. TDM VBAT Time Slot Length**

<i>VBAT_SLEN</i>	<b>SLOT LENGTH</b>
0	Truncate to 8-bits (default)
1	Left justify to 16-bits

**Table 36. TDM VBAT Transmit Enable**

<i>VBAT_TX</i>	<b>STATE</b>
0	Disabled (default)
1	Enabled

**Table 37. TDM Temp Sensor Time Slot**

<i>TEMP_SLOT[5:0]</i>	<b>SLOT</b>
0x00	0
0x01	1
...	...
0x05	5 (default)
...	...
0x3E	62
0x3F	63

**Table 38. TDM Temp Sensor Transmit Enable**

<i>TEMP_TX</i>	<b>STATE</b>
0	Disabled (default)
1	Enabled

The following sample streams are part of the [Inter Chip Limiter Alignment](#) system. These data streams can be routed over the audio TDM bus.

**Table 39. TDM Limiter Gain Reduction Time Slot**

<i>GAIN_SLOT[5:0]</i>	<b>SLOT</b>
0x00	0
0x01	1
...	...
0x06	6 (default)
...	...
0x3E	62
0x3F	63

**Table 40. TDM Limiter Gain Reduction Transmit Enable**

<i>GAIN_TX</i>	<b>STATE</b>
0	Disabled (default)
1	Enabled

**Table 41. TDM Boost Sync Time Slot**

<i>BST_SLOT[5:0]</i>	<b>SLOT</b>
0x00	0
0x01	1
...	...
0x07	7 (default)
...	...
0x3E	62
0x3F	63

**Table 42. TDM Boost Sync Enable**

<i>BST_TX</i>	<b>STATE</b>
0	Disabled (default)
1	Enabled



## 8.4.2 Playback Signal Path

### 8.4.2.1 High Pass Filter

Excessive DC and low frequency content in audio playback signal can damage loudspeakers. The TAS2110 employs a high-pass filter (HPF) to prevent this from occurring for the PCM playback path. The HPF can be disabled using register HPF\_EN. The HPF Bi-Quad filter coefficients can be changed from the default 2 Hz using the HPFC\_N0, HPFC\_N1, HPFC\_D1 registers using the equation  $[N, D] = \text{butter}(1, fc/(fs/2), 'high');$ ;  $\text{round}(N(0)*2^{31})$ . These coefficients should be calculated and set using [PurePath™ Console 3 Software](#).

**Table 43. HPF Enable**

HPF_EN	STATE
0	Enabled (default)
1	Disabled

### 8.4.2.2 Digital Volume Control and Amplifier Output Level

The gain from audio input to speaker terminals is controlled by setting the amplifier's output level and digital volume control (DVC).

Amplifier output level settings are presented in dBV (dB relative to 1 V<sub>rms</sub>) with a full scale digital audio input (0 dBFS) and the digital volume control set to 0 dB. It should be noted that these levels may not be achievable because of analog clipping in the amplifier, so they should be used to convey gain only. [Table 44](#) below shows gain settings that can be programmed via the AMP\_LEVEL register.

**Table 44. Amplifier Output Level Settings**

AMP_LEVEL[4:0]	FULL SCALE OUTPUT	
	dBV	V <sub>PEAK</sub> (V)
0x00	8	3.55
0x01	8.5	3.76
0x02	9	3.99
...	...	...
0x10	16	8.92
...	...	...
0x13	17.5	10.60
0x14	18	11.23
0x15–0x1F	Reserved	Reserved

[Equation 1](#) calculates the amplifiers output voltage.

$$V_{AMP} = \text{Input} + A_{dvc} + A_{AMP} \text{ dBV}$$

where

- V<sub>AMP</sub> is the amplifier output voltage in dBV
  - Input is the digital input amplitude in dB with respect to 0 dBFS
  - A<sub>dvc</sub> is the digital volume control setting, 0 dB to -100 dB in 0.5 dB steps
  - A<sub>AMP</sub> is the amplifier output level setting in dBV
- (1)

Settings greater than 0xC8 are interpreted as mute. When a change in digital volume control occurs, the device ramps the volume to the new setting based on the DVC\_RAMP register bits. If DVC\_RAMP is set to 0x0000 0000, volume ramping is disabled. This can be used to speed up startup, shutdown and digital volume changes when volume ramping is handled by the system master.

The digital volume control registers DVC\_PCM represent the volume in a 2.X format. To calculate the value to write to these 4 registers apply the following formula to the desired dB DVC\_PCM = round(10<sup>(dB/20)</sup>\*2<sup>30</sup>).

A volume ramp rate can be set using DVC\_RAMP and represents a rate in 1.X format. To calculate the value to write to these 4 registers apply the following formula DVC\_RAMP = round(((1-exp(-1/(0.2\*fs\*time in seconds))))\*2<sup>31</sup>).

**Table 45. PCM Digital Volume Control**

DVC_PCM[31:0]	VOLUME (dB)
0x0000 0D43 (MIN)	-110
...	...
0x4000 0000	0 (default)
...	...
0x5092 BEE4 (MAX)	2

**Table 46. Digital Volume Ramp Rate**

DVC_RAMP[31:0]	RAMP RATE @ 48kHz (s)
0x0000 0D43	0
...	...
0x7FFC 963B	1 s

**8.4.2.3 Auto-Mute During Idle Channel Mode**

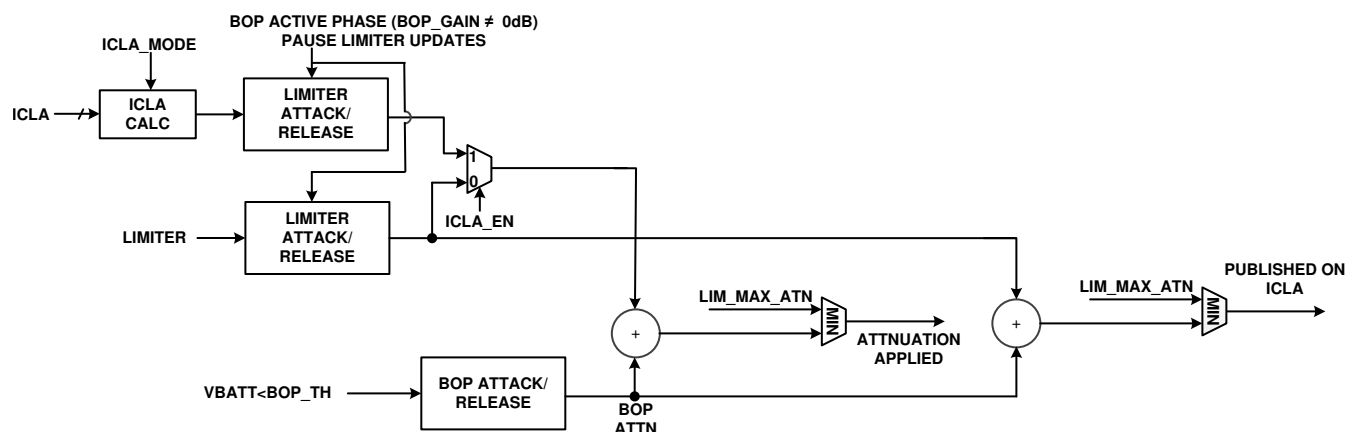
Device will stop playing audio if the input audio level drops below the programmable threshold for a programmable timer window. If this behavior is not preferred, threshold level can be kept at very low levels.

**8.4.2.4 Auto-Start/Stop on Audio Clocks**

The TAS2110 can enter low power software shutdown when the TDM clocks are stopped instead of going into clock error. The device will resume operation when the clocks resume.

**8.4.2.5 Supply Tracking Limiters with Brown Out Prevention**

The TAS2110 monitors battery voltage (VBAT) and along with the audio signal to automatically decrease gain when the audio signal peaks exceed a programmable threshold. This helps prevent clipping and extends playback time through end of charge battery conditions. The limiters threshold can be configured to track the monitored voltage below a programmable inflection point with a programmable slope. A minimum threshold sets the limit of threshold reduction from the voltage tracking. Configurable attack rate, hold time and release rate are provided to shape the dynamic response of each limiter. If the ICLA is enabled the actual attenuation is based on the ICLA configuration using the calculated attenuation value of all devices on the selected ICLA bus.



**Figure 42. Limiter and Brown Out Prevention Interaction Diagram**

A Brown Out Prevention (BOP) feature provides a priority input to provide a fast response to transient dips in the battery supply (VBAT) which at end of charge conditions that can cause system level brown out. When the selected supply dips below the brown-out threshold the BOP will begin reducing gain at a configurable attack rate. When the VBAT supply rises above the brownout threshold, the BOP will begin to release after the programmed hold time. During a BOP event the limiter updates will be paused. This is to prevent a limiter from releasing during a BOP event. The VBAT limiter is enabled by setting the LIMB\_EN bit high.

**Table 47. VBAT Tracking Limiter Enable**

<i>LIMB_EN</i>	VALUE
0	Disabled (default)
1	Enabled

The limiter has a configurable attack rate, hold time and release rate, which are available via the *LIMB\_ATK\_RT[2:0]*, *LIMB\_HLD\_TM[2:0]*, *LIMB\_RLS\_RT[2:0]* register bits. The limiter attack and release step sizes can be set by configuring the *LIMB\_ATK\_ST[1:0]* and *LIMB\_RLS\_ST[1:0]* register bits. The rates are based on the number of audio samples and actual time values can be calculated by multiplying by 1/fs. For example the attack rate of 4 samples at 48 ksp/s would be approximately 83  $\mu$ s.

**Table 48. Limiter Attack Rate**

<i>LIMB_ATK_RT[2:0]</i>	ATTACK RATE (samples/step)	ATTACK RATE @ 48 ksp/s (~ $\mu$ s)
0x0	1	20
0x1	2 (default)	42
0x2	4	83
0x3	8	167
0x4	16	333
0x5	32	666
0x6	64	1300
0x7	128	2700

**Table 49. Limiter Hold Time**

<i>LIMB_HLD_TM[2:0]</i>	HOLD TIME (samples)	HOLD TIME @ 48ksp/s (ms)
0x0	0	0
0x1	1920	40
0x2	4800	100
0x3	9600	200
0x4	19200	400
0x5	48000	1000
0x6	96000 (default)	2000
0x7	192000	4000

**Table 50. Limiter Release Rate**

<i>LIMB_RLS_RT[2:0]</i>	Release Rate (samples/step)	RELEASE RATE @ 48 ksp/s (ms)
0x0	10	0.2
0x1	20	0.4
0x2	40	0.8
0x3	80	1.7
0x4	160	3.3
0x5	320	6.7
0x6	640 (default)	13.3
0x7	1280	26.7

**Table 51. Limiter Attack Step Size**

<i>LIMB_ATK_ST[1:0]</i>	STEP SIZE (dB)
00	0.25
01	0.5 (default)

**Table 51. Limiter Attack Step Size (continued)**

LIMB_ATK_ST[1:0]	STEP SIZE (dB)
10	1
11	2

**Table 52. Limiter Release Step Size**

LIMB_RLS_ST[1:0]	STEP SIZE (dB)
00	0.25
01	0.5 (default)
10	1
11	2

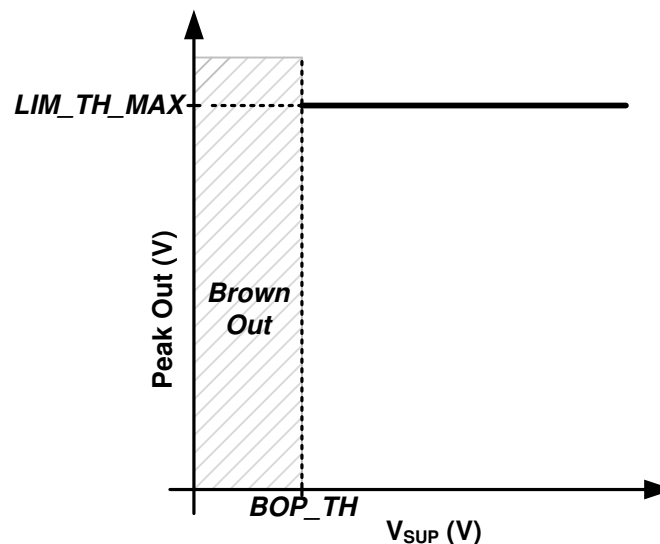
A maximum level of attenuation applied by the limiters and brown out prevention feature is configurable via the LIM\_MAX\_ATN register. This attenuation limit is shared between the features. For instance, if the maximum attenuation is set to 6 dB and the limiters have reduced gain by 4 dB, the brown out prevention feature will only be able to reduce the gain further by another 2 dB. If the limiter or brown out prevention feature is attacking and it reaches the maximum attenuation, gain will not be reduced any further.

The limiter max attenuation LIM\_MAX\_ATN represent the limit in a 1.X format. To calculate the value to write to the 4 registers by apply the following formula to the desired dB using equation  $LIM\_MAX\_ATN = \text{round}(10^{(-dB/20)} * 2^{31})$ .

**Table 53. Limiter Max Attenuation**

LIM_MAX_ATN[31:0]	ATTENUATION (dB)
0x7214 82C0	-1
...	...
0x2D6A 866F	-9 (default)
...	...
0x1326 DD71	-16.5

The limiter begins reducing gain when the output signal level is greater than the limiter threshold. The limiter can be configured to track selected supply below a programmable inflection point with a minimum threshold value. Figure 43 below shows the limiter configured to limit to a constant level regardless of the selected supply level. To achieve this behavior, set the limiter maximum threshold to the desired level using LIM\_TH\_MAX. Set the limiter inflection point using LIM\_INF\_PT below the minimum allowable supply setting. The limiter minimum threshold register LIM\_TH\_MIN does not impact limiter behavior in this use case.



**Figure 43. Limiter with Fixed Threshold**

The VBAT limiter threshold max *LIMB\_TH\_MAX* and min *LIMB\_TH\_MIN* registers represent the limit in a 5.X format. To calculate the value to write to the 4 registers by apply the following formula to the desired threshold voltage using the equation  $LIMB\_TH\_MAX$  or  $LIMB\_TH\_MIN = \text{round}(\text{Volts} * 2^{27})$ .

**Table 54. VBAT Limiter Maximum Threshold**

<i>LIMB_TH_MAX</i> [31:0]	THRESHOLD (V)
0x1400 0000	2.5
...	...
0x4800 0000	9 (default)
...	...
0x7C00 0000	15.5

**Table 55. VBAT Limiter Minimum Threshold**

<i>LIMB_TH_MIN</i> [31:0]	THRESHOLD (V)
0x1400 0000	2.5
...	...
0x2000 0000	4 (default)
...	...
0x7C00 0000	15.5

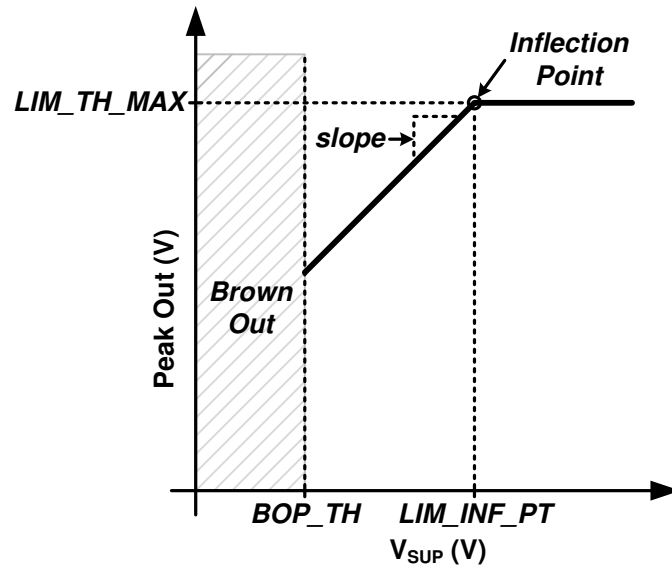
The VBAT limiter inflection point *LIMB\_INF\_PT* represent the limit in a format. To calculate the value to write to the 4 registers by apply the following formula to the desired infection voltage using the equation  $LIMB\_INF\_PT = \text{round}(\text{Volts} * 2^{\wedge})$ .

**Table 56. VBAT Limiter Inflection Point**

<i>LIMB_INF_PT</i> [31:0]	THRESHOLD (V)
0x2000 0000	2
...	...
0x34CC CCCC	3.3 (default)
...	...
0x3000 0000	6

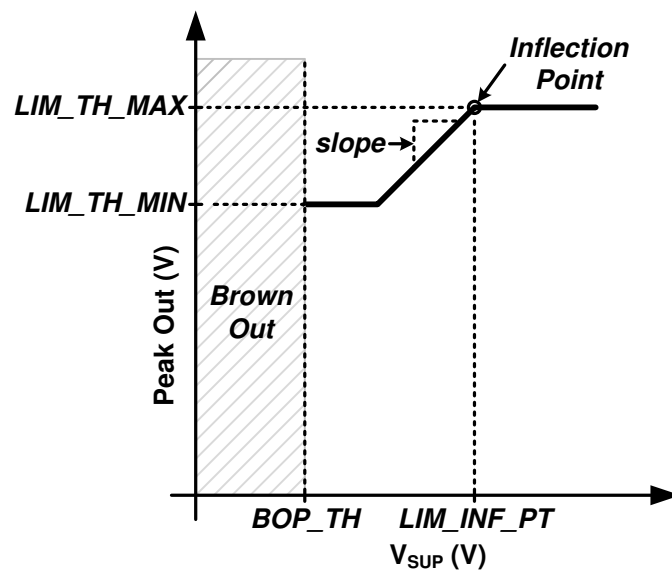
Figure 44 shows how to configure the limiter to track selected supply below a threshold without a minimum threshold. Set the *LIM\_TH\_MAX* register to the desired threshold and *LIM\_INF\_PT* register to the desired inflection point where the limiter will begin reducing the threshold with the selected supply. The default value of 1 V/V will reduce the threshold 1 V for every 1 V of drop in the supply voltage. More aggressive tracking slopes can be programmed if desired. Program the *LIM\_TH\_MIN* below the minimum the selected supply to prevent the limiter from having a minimum threshold reduction when tracking the selected supply.

The VBAT limiter tracking slope *LIMB\_SLOPE*[31:0] represent the limit in a format. To calculate the value to write to the 4 registers by apply the following formula to the desired infection voltage using equation  $LIMB\_SLOPE = \text{round}(\text{slope}(V/V) * 2^{\wedge})$ .


**Figure 44. Limiter with Inflection Point**
**Table 57. Limiter VBAT Tracking Slope**

<i>LIMB_SLOPE[31:0]</i>	SLOPE (V/V)
0x1000 0000	1 (default)
...	...
0x4000 0000	4

To achieve a limiter that tracks the selected supply below a threshold, configure the limiter as explained in the previous example, except program the *LIM\_TH\_MIN* register to the desired minimum threshold. This is shown in [Figure 45](#) below.


**Figure 45. Limiter with Inflection Point and Minimum Threshold**

The TAS2110 also employs a Brown Out Prevention (BOP) feature that serves as a low latency priority input to the limiter engine that begins attacking the VBAT supply dipping below the programmed BOP threshold. This feature can be enabled by setting the *BOP\_EN* register bit high. It should be noted that the BOP feature is independent of the limiter and will function if enabled, even if the limiter is disabled. The BOP threshold is configured by setting the threshold with register bits *BOP\_TH*.

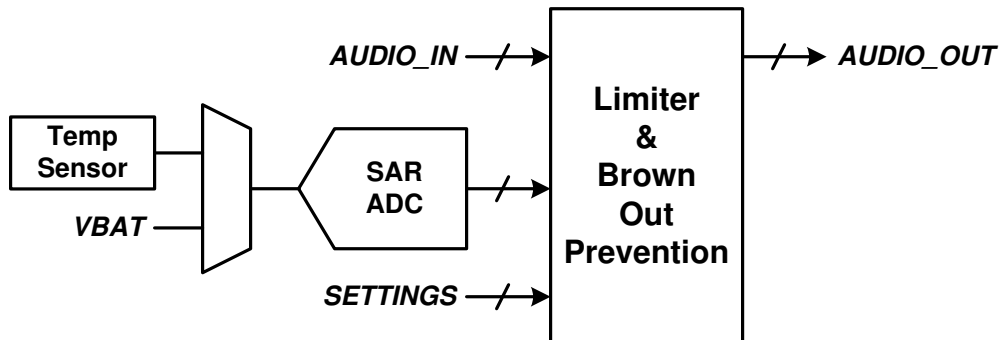


Figure 46. Limiter Block Diagram

Table 58. Brown Out Prevention Enable

BOP_EN	VALUE
0	Disabled
1	Enabled (default)

The Brownout prevention threshold *BOP\_TH* represent a threshold in a 4.X format. To calculate the value to write to the 4 registers by apply the following formula to the desired brownout threshold using equation  $BOP\_TH = \text{round}(\text{Volts} * 2^{28})$ .

Table 59. Brown Out Prevention Threshold

BOP_TH[31:0]	VBAT THRESHOLD (V)
0x0000 000 - 0x1FFF FFFF	Reserved
0x2000 0000	2.5
...	...
0x2E66 6666	2.9 (default)
...	...
0x2000 0000	4
0x2000 0001 - 0xFFFF FFFF	Reserved

The BOP feature has a separate attack rate *BOP\_ATK\_RT*, attack step size *BOP\_ATK\_ST* and hold time *BOP\_HLD\_TM* from the battery tracking limiter. The BOP feature uses the *LIMB\_RLS\_RT* register setting to release after a brown out event. The rates are based on the number of audio samples and actual time values can be calculated by multiplying by 1/fs. For example the attack rate of 4 samples at 48 ksp/s would be approximately 83 μs.

Table 60. Brown Out Prevention Attack Rate

BOP_ATK_RT[2:0]	ATTACK RATE (samples/step)	ATTACK RATE @ 48 ksp/s (~μs)
0x0	1	20
0x1	2	42
0x2	4	83
0x3	8	167
0x4	16	333
0x5	32	666

**Table 60. Brown Out Prevention Attack Rate (continued)**

<i>BOP_ATK_RT[2:0]</i>	ATTACK RATE (samples/step)	ATTACK RATE @ 48 ksp/s (~µs)
0x6	64	1300
0x7	128	2700

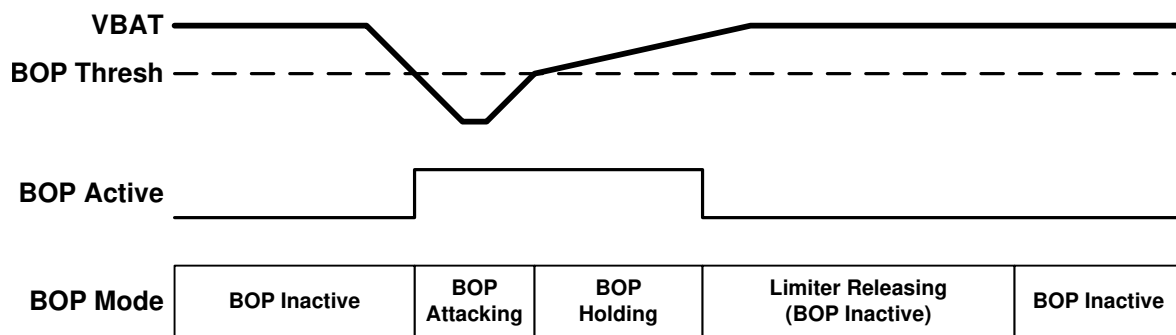
**Table 61. Brown Out Prevention Attack Step Size**

<i>BOP_ATK_ST[1:0]</i>	STEP SIZE (dB)
00	0.5
01	1 (default)
10	1.5
11	2

**Table 62. Brown Out Prevention Hold Time**

<i>BOP_HLD_TM[2:0]</i>	HOLD TIME (ms)
0x0	0
0x1	10
0x2	25
0x3	50
0x4	100
0x5	250
0x6	500 (default)
0x7	1000

The TAS2110 can also shutdown the device when a brown out event occurs if the *BOP\_MUTE* register bit is set high. For the device to continue playing audio again, the device must transition through a SW/HW shutdown state. Setting the *BOP\_INF\_HLD* high will cause the limiter to stay in the hold state (for example never release) after a cleared brown out event until either the device transitions through a mute or SW/HW shutdown state or the register bit *BOP\_HLD\_CLR* is written to a high value (which will cause the device to exit the hold state and begin releasing). This bit is self clearing and will always readback low. [Figure 47](#) below illustrates the entering and exiting from a brown out event.



**Figure 47. Brown Out Prevention Event**

**Table 63. Shutdown on Brown Out Event**

<i>BOP_MUTE</i>	VALUE
0	Don't Shutdown (default)
1	Mute then shutdown



**Table 64. Infinite Hold on Brown Out Event**

<i>BOP_INF_HLD</i>	VALUE
0	Use <i>BOP_HLD_TM</i> after Brown Out event (default)
1	Do not release until <i>BOP_HLD_CLR</i> is asserted high

If the TAS2110 is configured to hold the brownout event until cleared the attenuation will remain until *BOP\_HLD\_CLR* register clear is performed. This should be performed by setting the *BOP\_HLR\_CLR* bit high, reading the register and then setting the *BOP\_HLD\_CLR* back to low.

**Table 65. BOP Infinite Hold Clear**

<i>BOP_HLD_CLR</i>	VALUE
0	Don't clear (default)
1	Clear event

A hard brownout level can be set to shutdown the TAS2110 if the BOP cannot mitigate the drop in battery voltage VBAT. This will shutdown the device and should not be used if the *BOP\_MUTE* is enable. The brownout shutdown will only function if brownout engine is enabled using *BOP\_EN*.

**Table 66. Brown Out Shutdown Enable**

<i>BOSD_EN</i>	VALUE
0	Disabled (default)
1	Enabled

The Brownout prevention shutdown threshold *BOSD\_TH* represent a threshold in a 5.X format. To calculate the value to write to the 4 registers by apply the following formula to the desired brownout threshold using equation  $BOSD\_TH = \text{round}(\text{Volts} * 2^{27})$ .

**Table 67. Brown Out Shutdown Threshold**

<i>BOSD_TH[31:0]</i>	VBAT THRESHOLD (V)
0x2000 0000	2.5
...	...
0x2B33 3333	2.7 (default)
...	...
0x3FFF FFFF	3.99

### 8.4.2.6 Inter Chip Limiter Alignment

#### 8.4.2.6.1 TDM Mode

The TAS2110 supports alignment of limiter (including brown out prevention) dynamics across devices that share the same TDM bus. This ensures consistent gain between channels during limiting or brown out events since these dynamics are dependent on audio content, which can vary across channels. Each device can be configured to align to a specified number of other devices, which allows creation of groupings of devices that align only to each other. All devices in the same group must use the same setting.

Limiter activity is communicated via the limiter gain reduction parameter that can be optionally transmitted by each device on SDOOUT in an 8-bit time slot. Gain reduction should be transmitted in adjacent time slots for all devices that are to be aligned beginning with the first slot that is specified by the *ICLA\_SLOT* register. The order of the devices is not important as long as they are adjacent. The time slot for limiter gain reduction is configured by the *GAIN\_SLOT* register and enabled by the *GAIN\_TX* register bit.

The *ICLA\_SEN* register specify which time slots should be listened to for gain alignment. This allows any number of devices between two and eight to be grouped together. At least two of these bits should be enabled for alignment to take place. The *ICLA\_USE\_MAX* register bit determines whether alignment is based on the maximum or minimum gain reduction value from the group of enabled devices. If the *BIL\_ICLA\_EN* is enabled the # of slots will be double what is selected. For example if time-slot 0,1, and 2 are used for gain alignment. Then time-slots 3, 4, and 5 will be used for brownout-current alignment.

To enable the inter chip limiter alignment feature, the *ICLA\_GAIN\_EN* register bit should be asserted high and all devices should be configured with identical limiter and brown out prevention settings. Limiter gain reduction transmission should be enabled on all devices as described above.

**Table 68. Inter Chip Limiter Alignment**

<i>ICLA_GAIN_EN</i>	VALUE
0	Disabled (default)
1	Enabled

**Table 69. ICLA Gain Alignment Configuration**

<i>ICLA_MODE</i>	VALUE
00	Use the maximum gain reduction of the ICLA group (default)
01	Use the minimum gain reduction of the ICLA group
10-11	Reserved

**Table 70. Inter Chip Limiter Gain Alignment Starting Time Slot**

<i>ICLA_GAIN_SLOT[5:0]</i>	STARTING TIME SLOT
0x00	Time Slot 0
0x01	Time Slot 1
0x02	Time Slot 2
...	...
0x3F	Time Slot 63

**Table 71. Inter Chip Limiter Alignment Time Slots Enable**

REGISTER BIT	DESCRIPTION	BIT VALUE	STATE
<i>ICLA_GAIN_SEN[0]</i>	Time Slot = <i>ICLA_GAIN_SLOT</i> . When enabled, the limiter will include this time slot in the alignment group.	0	Disabled (default)
		1	Enabled
<i>ICLA_GAIN_SEN[1]</i>	Time Slot = <i>ICLA_GAIN_SLOT</i> + 1. When enabled, the limiter will include this time slot in the alignment group.	0	Disabled (default)
		1	Enabled
<i>ICLA_GAIN_SEN[2]</i>	Time Slot = <i>ICLA_GAIN_SLOT</i> + 2. When enabled, the limiter will include this time slot in the alignment group.	0	Disabled (default)
		1	Enabled
<i>ICLA_GAIN_SEN[3]</i>	Time Slot = <i>ICLA_GAIN_SLOT</i> + 3. When enabled, the limiter will include this time slot in the alignment group.	0	Disabled (default)
		1	Enabled

#### 8.4.2.7 Class-D Settings

The TAS2110 Class-D amplifier supports spread spectrum PWM modulation, which can be enabled by setting the *AMP\_SS* register bit high. This can help reduce EMI in some systems.

**Table 72. Low EMI Spread Spectrum Mode**

<i>AMP_SS</i>	SPREAD SPECTRUM
0	Disabled
1	Enabled (default)

By default the Class-D amplifier's switching frequency is based on the device's trimmed internal oscillator. To synchronize switching to the audio sample rate, set the *CLASSD\_SYNC* register bit high. When the Class-D is synchronized to the audio sample rate, the *RATE\_RAMP* register bit must be set based whether the audio sample rate is based on a 44.1 kHz or 48 kHz frequency. For 44.1, 88.2 and 176.4 kHz, set this bit high. for 48, 96 and 192 kHz, set this bit low. This ensures that the internal ramp generator has the appropriate slope.

**Table 73. Class-D Synchronization Mode**

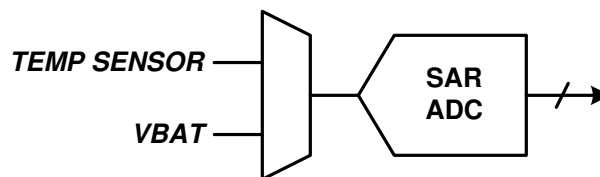
<i>CLASSD_SYNC</i>	SYNCHRONIZATION MODE
0	Not synchronized to audio clocks (default)
1	Synchronized to audio clocks

**Table 74. Sample Rate for Class-D Synchronized Mode**

<i>RAMP_RATE</i>	PLAYBACK SAMPLE RATE
0	multiples of 48 kHz(default)
1	multiples of 44.1 kHz

### 8.4.3 SAR ADC

A 10-bit SAR ADC monitors VBAT voltage *VBAT\_CNV* and die temperature *TMP\_CNV*. VBAT voltage conversions are also used by the limiter and brown out prevention features.



**Figure 48. SAR Block Diagram**

Actual VBAT voltage is calculated by dividing the *VBAT\_CNV* register by 64. Actual die temperature is calculated by subtracting 93 from *TMP\_CNV* register. The battery voltage VBAT can be filtered using *VBAT\_FLT* register but will increase the latency. The *VBAT\_CNV* registers should be read *VBAT\_MSB* followed by *VBAT\_LSB*.

**Table 75. VBAT Filtering**

<i>VBAT_FLT[0]</i>	FILTER POLE
0	100 kHz (default)
1	Bypass

**Table 76. ADC VBAT Voltage Conversion**

<i>VBAT_CNV[9:0]</i>	VBAT VOLTAGE (V)
0x000	0 V
0x001	0.0156 V
...	...
0x100	4.0 V
...	...
0x17F	5.9844 V
0x180	6.0 V

**Table 77. ADC Die Temperature Conversion**

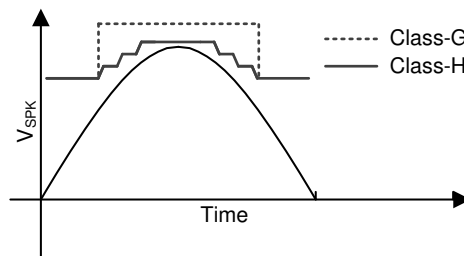
<i>TMP_CNV[7:0]</i>	DIE TEMPERATURE (°C)
0x00–0x52	Invalid
0x53	-40 °C

**Table 77. ADC Die Temperature Conversion (continued)**

<i>TMP_CNV[7:0]</i>	DIE TEMPERATURE (°C)
...	...
0x76	25 °C
...	...
0xF3	150 °C
0xF4–0xFF	Invalid

#### 8.4.4 Boost

The TAS2110 internal processing algorithm automatically enables the boost when needed. A look-ahead algorithm monitors the battery voltage and the digital audio stream. When the speaker output approaches the battery voltage the boost is enabled in-time to supply the required speaker output voltage. When the boost is no longer required it is disabled and bypassed to maximize efficiency. The boost can be configured in one of two modes. The first is low in-rush (Class-G) supporting only boost on-off and has the lowest in-rush current. The second is high-efficiency (Class-H) where the boost voltage level is adjusted to a value just above what is needed. This mode is more efficient but has a higher in-rush current to quickly transition the levels. This can be configured using [Table 78](#).


**Figure 49. Boost Mode Signal Tracking Example**
**Table 78. Boost Mode**

<i>BST_MODE[1:0]</i>	BOOST MODE
00	Class-H - High efficiency (default)
01	Class-G - Low in-rush
10	Always On
11	Always Off - Pass-through

The boost can be enabled and disabled using *BST\_EN* register. When driving the Class-D amplifier using an external supply through the PVDD pin, the boost should be disabled and the VBST pin can be left floating. Do not drive an external voltage on the VBST pin. When supplying an external PVDD voltage the VBAT voltage must also be supplied to the device. While VBAT supply must be present it will not carry current to the speaker load.

**Table 79. Boost Enable**

<i>BST_EN</i>	BOOST IS
0	Disabled
1	Enabled (default)

**Table 80. Active Mode PFM Lower Frequency Limit**

<i>BST_PFML[1:0]</i>	LOWER LIMIT (Hz)
00	No lower limit
01	25 kHz
10	50 kHz (default)

**Table 80. Active Mode PFM Lower Frequency Limit (continued)**

<i>BST_PFML[1:0]</i>	LOWER LIMIT (Hz)
11	100 kHz

The boost has a soft-start to limit in-rush current during the initial charge. The current limit and soft-start timer are configurable to adjust to system component selection.

**Table 81. Soft-Start Current Limit**

<i>BST_SSL[1:0]</i>	CURRENT LIMIT (A)
00	Disabled - Boost Normal Limit
01	1.0 A
10	1.5 A (default)
11	2 A

**Table 82. Class-G Soft-Start Timer**

<i>BST_GSST[1:0]</i>	TIMEOUT (s)
00	1 * BST_HSTT
01	2 * BST_HSTT
10	4 * BST_HSTT (default)
11	8 * BST_HSTT

**Table 83. Class-H Soft-Start Timer**

<i>BST_HSST[3:0]</i>	TIMEOUT (s)
0x0	9 μS
0x1	18 μS
0x2	36 μS
0x3	54 μS
0x4	72 μS
0x5	90 μS
0x6	108 μS
0x7	135 μS (default)
0x8	162 μS
0x9	198 μS
0xA	252 μS
0xB	342 μS
0xC	477 μS
0xD	612 μS
0xE	792 μS
0xF	990 μS

The boost inductor and decoupling capacitor range needs to be specified using *BST\_IR* and *BST\_LR* registers. These settings optimize the boost to ensure current limit accuracy and avoid clipping in class-H operation.

**Table 84. Boost Inductor Range**

<i>BST_IR[1:0]</i>	INDUCTANCE (H)
00	< 0.6 μH
01	0.6 μH-1.3 μH (default)
10	1.3 μH - 2.5 μH
11	Reserved

**Table 85. Boost Load Regulation**

BST_LR	VALUE
00	Reserved
01	3A/V; load regulation = 1V (default)
10	2A/V; load regulation = 1.5V
11	Reserved

The maximum boost voltage regulation is set by BST\_VREG. When operating in class-G mode the boost when needed will be at this voltage. In class-H mode of operation the boost voltage is automatically selected based on the audio signal but, will not exceed this set value.

The peak current limits the boost current drawn from the VBAT supply. This setting allows flexibility in the inductor selection for various saturation currents. The current limit can be adjust in 45 mA steps with register BST\_ILIM[5:0]. The peak current limit setting is the maximum and may be temporarily reduced if the and ICLA current limit is active.

**Table 86. Peak Current Limit**

BST_ILIM[5:0]	CURRENT (A)
0x00–0x08	Reserved
0x09	1.48 A
0x0A	1.54 A
...	...
0x36	3.96 A (default)
0x37	4 A
0x38–0x3F	Reserved

For multiple parts the TAS2110 can shift the boost phase to ensure each device will contribute to the load sharing. The boost syncing among multiple devices is enabled using *BST\_SYNC* and then each part is configured to be on 0 or 180 phase using *BST\_PA*. This avoids peak current align on and clock edges and spreads out battery ripple. The phase of additional devices can be set relative to the master using register *BST\_PA[1:0]*. The phase align is performed over the Inter-chip Communication (ICC) bus and a slot for this feature needs to be configured if enabled.

**Table 87. Boost Sync**

BST_SYNC	
0	Not Synced (default)
1	Synced to FSYNC

**Table 88. Boost Phase**

BST_PA[0]	PHASE (Deg)
0	~0° (default)
1	~180°

#### 8.4.5 Clocks and PLL

In TMD/I<sup>2</sup>C Mode, the device operates from SBCLK. [Table 89](#) and [Table 90](#) below shows the valid SBCLK frequencies for each sample rate and SBCLK to FSYNC ratio (for 44.1 kHz and 48 kHz family frequencies respectively).

If the sample rate is properly configured via the *SAMP\_RATE[1:0]* bits, no additional configuration is required as long as the SBCLK to FSYNC ratio is valid. The device will detect improper SBCLK frequencies and SBCLK to FSYNC ratios and volume ramp down the playback path to minimize audible artifacts. After the clock error is detected the device will enter a low power halt mode after *CLK\_HALT\_TIMER* if *CLK\_HALT\_EN* is enabled. Additionally the device can automatically power up and down on valid clock signals if *CLK\_ERR\_PWR\_EN* is set. The device sampling rate should not be changed while this feature is enabled. Additionally, the *CLK\_HALT\_EN* should be set when *CLK\_ERR\_PWR\_EN* is set for this feature to work properly.

**Table 89. Supported SBCLK Frequencies (48 kHz based sample rates)**

SAMPLE RATE (kHz)	SBCLK TO FSYNC RATIO						
	64	96	128	192	256	384	512
16 kHz	1.024 MHz	1.536 MHz	2.048 MHz	3.072 MHz	4.096 MHz	6.144 MHz	8.192 MHz
32 kHz	2.048 MHz	3.072 MHz	4.0960 MHz	6.144 MHz	8.192 MHz	12.288 MHz	16.384 MHz
48 kHz	3.072 MHz	4.608 MHz	6.144 MHz	9.216 MHz	12.288 MHz	18.432 MHz	24.576 MHz
96 kHz	6.144 MHz	9.216 MHz	12.288 MHz	18.432 MHz	24.576 MHz	-	-

**Table 90. Supported SBCLK Frequencies (44.1 kHz based sample rates)**

SAMPLE RATE (kHz)	SBCLK TO FSYNC RATIO						
	64	96	128	192	256	384	512
14.7 kHz	940.8 kHz	1.4112 MHz	1.8816 MHz	2.8224 MHz	3.7632 MHz	5.6448 MHz	7.5264 MHz
29.4 kHz	1.8816 MHz	2.8224 MHz	3.7632 MHz	5.6448 MHz	7.5264 MHz	11.2896 MHz	15.0528 MHz
44.1 kHz	2.8224 MHz	4.2336 MHz	5.6448 MHz	8.4672 MHz	11.2896 MHz	16.9344 MHz	22.5792 MHz
88.2 kHz	5.6448 MHz	8.4672 MHz	11.2896 MHz	16.9344 MHz	22.5792 MHz	-	-

**Table 91. Clock Power Up/Down on Valid ASI Clocks**

CLK_ERR_PWR_EN	SETTING
0	Disabled (default)
1	Enabled

**Table 92. Clock Halt(Sleep) After Errors Longer Than Halt Timer**

CLK_HALT_EN	SETTING
0	Enabled (default)
1	Disabled

**Table 93. Clock Halt Timer**

CLK_HALT_TIMER[2:0]	SETTING
000	1 ms
001	3.27 ms
010	26.21 ms
011	52.42 ms (default)
100	104.85 ms
101	209.71 ms
110	419.43 ms
111	838.86 ms

#### 8.4.6 Thermal Foldback

The TAS2110 monitors the die temperature and can automatically limit the audio signal when the die temperature reaches a set threshold. It is recommended to use [PurePath™ Console 3 Software](#) to configure the thermal foldback as the software will perform the necessary math for each register.

Thermal foldback can be disabled using *TF\_EN*. If the die temperature reaches *TF\_TEMP\_TH* this feature will begin to attenuate the audio signal to prevent the device from shutting down due to over-temperature. It will attenuate the audio signal by *TF\_LIMS* db per degree of temperature over *TF\_TEMP\_TH*. The thermal foldback with attack at a fixed rate of 0.25 dB per sample. A maximum attenuation of *TF\_MAX\_ATTEN* can be specified. However if the device continue to heat up eventually the device over-temperature will be triggered. The attenuation will be held for *TF\_HOLD\_CNT* samples before the attenuation will begin releasing.

**Table 94. Thermal Foldback Enable**

<i>TF_EN</i>	SETTING
0	Disabled
1	Enabled (default)

**Table 95. Thermal Foldback Registers**

REGISTER	DESCRIPTION	CALCULATION
TF_LIMS	Thermal foldback limiter slope (in db/°C)	$\text{round}(10^{-(\text{slope} / 20)} * 2^{31})$
TF_HOLD_CNT	Thermal foldback hold count (samples)	$\text{round}(\text{seconds} * 1000)$
TF_REL_RATE	Thermal foldback limiter release rate (db/samples)	$\text{round}(10^{(\text{dB per sample} / 20)} * 2^{30})$
TF_TEMP_TH	Thermal foldback limiter temperature threshold (°C)	$\text{round}(\text{°C} * 2^{23})$
TF_MAX_ATTN	Thermal foldback max gain reduction (dB)	$\text{round}(10^{(\text{max attn dB} / 20)} * 2^{31})$

#### 8.4.7 Internal Tone Generator

The TAS2110 has two internal tone generators that can be used for pilot tone, ultrasonic tone, or diagnostic purposes. It is recommended to use [PurePath™ Console 3 Software](#) to configure the tone generators as the software will perform the necessary math for each register.

The frequency and amplitude of each generator can be set independently. Each tone generator is enabled using TGx\_EN and will soft-ramp to the level set by registers TGx\_AMP if corresponding register TGx\_SR is set. The frequency using registers TGx\_FREQ and amplitude using registers TGx\_AMP. These amplitude and frequency should be set only when the tone generator is disabled. Additionally the first tone-generator can be configured to enable and disable the tone using a pin selected by TG1\_PINEN pin. When enabled the pin will be logically ORed with the TG1\_EN register to play the tone. This can be used for audible diagnostic tones or other alerting functions.

When the tone generator is configured to operate in pin-triggered mode, the sampling rate used in the TG1 equations should be 96 kHz. The range of frequencies that can be generated in this mode is 20 Hz to 38 kHz. For ASI bus sample rates of 192 kHz the tone generator 1 and 2 will run only at 96 kHz and this sampling rate should be used in the calculation. When not in pin trigger TG1 can generate tones up to fs/2.

The max frequency for tone generator 2 is based on the sampling rate and shown in [Table 102](#).

**Table 96. Tone Generator Clock Source**

<i>TG_CLK</i>	SETTING
0	External TDM (default)
1	Internal Oscillator

**Table 97. Tone Generator 1 Enable**

<i>TG1_EN</i>	TONE GENERATOR OUTPUT
00	disabled / pin trigger (default)
01	enabled - play tone always
10	audio level enabled
11	reserved



**Table 98. Tone Generator 1 Pin Enable**

TG1_PINEN[1:0]	TONE GENERATOR OUTPUT
00	disabled (default)
01	SDIN pin
11	AD1 pin

**Table 99. Tone Generator 1 Soft-Ramp**

TG1_SR	SOFT RAMPUP
0	disabled
1	enabled (default)

The pilot tone frequency and amplitude can be programmed using the following register. The equations are used to calculate the register settings for a given gain, frequency, and audio sampling rate.

fc = frequency of the tone

fs = sampling rate

$$TG1\_FREQ1[1-4] = 2 * \cos(2 * \pi * fc / fs)$$

$$TG1\_FREQ2[1-4] = \sin(2 * \pi * fc / fs)$$

$$TG1\_FREQ3[1-4] = (\text{lcm}(fs,fc) / fc) - 1$$

$$TG1\_AMP = 10 ^ { (dB/20)}$$

Equations for tone generator 2 are

$$TG2\_FREQ1[1-4] = 2 * \cos(2 * \pi * fc / (n*fs))$$

$$TG2\_FREQ2[1-4] = \sin(2 * \pi * fc / (n*fs))$$

$$TG2\_FREQ3[1-4] = (\text{lcm}(n*fs,fc) / fc) - n$$

$$TG2\_AMP = (10 ^ { (dB/20)}) / 4$$

**Table 100. Tone Generator Defaults**

REGISTER	DEFAULT VALUE	DEFAULT REGISTERVALUE
TG1_FREQ1[1-4]	0	0x0000 0000
TG1_FREQ2[1-4]	0	0x0000 0000
TG1_FREQ3[1-4]	0	0x0000 0000
TG1_AMP	-40 dBFS	0x0147 AE14
TG2_FREQ1[1-4]	0	0x0000 0000
TG2_FREQ2[1-4]	0	0x0000 0000
TG2_FREQ3[1-4]	0	0x0000 0000
TG2_AMP	-12 dBFS	0x2026 F310

**Table 101. Tone Generator 2 Enable**

TG2_EN	TONE GENERATOR OUTPUT
0	disabled (default)
1	enabled - play tone

**Table 102. Tone Generator 2 n Value and Range**

fs	n	MAX TONE FREQUENCY
96 kHz	1	< fs / 2
48 kHz, 32 kHz	2	< fs
24 kHz	4	< 2*fs

**Table 102. Tone Generator 2 n Value and Range (continued)**

fs	n	MAX TONE FREQUENCY
16 kHz, 8 kHz	8	< 4 * fs

**Table 103. Tone Generator 2 Soft-Ramp**

TG2_SR	SOFT RAMPUP
0	disabled
1	enabled (default)

## 8.5 Register Maps

### 8.5.1 Register Summary Table Page=0x00

Addr	Register	Description	Section
0x00	PAGE0	Device Page	PAGE0 (page=0x00 address=0x00) [reset=0h]
0x01	SW_RESET	Software Reset	SW_RESET (page=0x00 address=0x01) [reset=0h]
0x02	PWR_CTL	Power Control	PWR_CTL (page=0x00 address=0x02) [reset=Eh]
0x03	PB_CFG1	Playback Configuration 1	PB_CFG1 (page=0x00 address=0x03) [reset=20h]
0x04	MISC_CFG1	Misc Configuration 1	MISC_CFG1 (page=0x00 address=0x04) [reset=C6h]
0x05	MISC_CFG2	Misc Configuration 2	MISC_CFG2 (page=0x00 address=0x05) [reset=22h]
0x06	TDM_CFG0	TDM Configuration 0	TDM_CFG0 (page=0x00 address=0x06) [reset=9h]
0x07	TDM_CFG1	TDM Configuration 1	TDM_CFG1 (page=0x00 address=0x07) [reset=2h]
0x08	TDM_CFG2	TDM Configuration 2	TDM_CFG2 (page=0x00 address=0x08) [reset=Ah]
0x09	TDM_CFG3	TDM Configuration 3	TDM_CFG3 (page=0x00 address=0x09) [reset=10h]
0x0A	TDM_CFG4	TDM Configuration 4	TDM_CFG4 (page=0x00 address=0x0A) [reset=13h]
0x0D	TDM_CFG7	TDM Configuration 7	TDM_CFG7 (page=0x00 address=0x0D) [reset=4h]
0x0E	TDM_CFG8	TDM Configuration 8	TDM_CFG8 (page=0x00 address=0x0E) [reset=5h]
0x0F	TDM_CFG9	TDM Configuration 9	TDM_CFG9 (page=0x00 address=0x0F) [reset=6h]
0x10	TDM_CFG10	TDM Configuration 10	TDM_CFG10 (page=0x00 address=0x10) [reset=7h]
0x11	TDM_DET	TDM Clock detection monitor	TDM_DET (page=0x00 address=0x11) [reset=7Fh]
0x12	LIM_CFG_0	Limiter Configuration 0	LIM_CFG_0 (page=0x00 address=0x12) [reset=12h]
0x13	LIM_CFG_1	Limiter Configuration 1	LIM_CFG_1 (page=0x00 address=0x13) [reset=76h]
0x14	BOP_CFG_0	Brown Out Prevention 0	BOP_CFG_0 (page=0x00 address=0x14) [reset=1h]
0x15	BOP_CFG_1	Brown Out Prevention 1	BOP_CFG_1 (page=0x00 address=0x15) [reset=2Eh]
0x16	ICLA_CFG	ICLA gain alignment mode	ICLA_CFG (page=0x00 address=0x16) [reset=60h]
0x18	GAIN_ICLA_CFG0	Inter Chip Limiter Alignment 0	GAIN_ICLA_CFG0 (page=0x00 address=0x18) [reset=Ch]
0x19	ICLA_CFG1	Inter Chip Limiter Alignment 1	ICLA_CFG1 (page=0x00 address=0x19) [reset=0h]
0x1A	INT_MASK0	Interrupt Mask 0	INT_MASK0 (page=0x00 address=0x1A) [reset=FCh]
0x1B	INT_MASK1	Interrupt Mask 1	INT_MASK1 (page=0x00 address=0x1B) [reset=A6h]
0x1F	INT_LIVE0	Live Interrupt Readback 0	INT_LIVE0 (page=0x00 address=0x1F) [reset=0h]
0x20	INT_LIVE1	Live Interrupt Readback 1	INT_LIVE1 (page=0x00 address=0x20) [reset=0h]
0x24	INT_LTCH0	Latched Interrupt Readback 0	INT_LTCH0 (page=0x00 address=0x24) [reset=0h]
0x25	INT_LTCH1	Latched Interrupt Readback 1	INT_LTCH1 (page=0x00 address=0x25) [reset=0h]
0x2A	VBAT_MSB	SAR ADC Conversion 0	VBAT_MSB (page=0x00 address=0x2A) [reset=0h]
0x2B	VBAT_LSB	SAR ADC Conversion 1	VBAT_LSB (page=0x00 address=0x2B) [reset=0h]
0x2C	TEMP	SAR ADC Conversion 2	TEMP (page=0x00 address=0x2C) [reset=0h]
0x30	INT_CLK	Interrupt and Clock Error	INT_CLK (page=0x00 address=0x30) [reset=19h]
0x31	DIN_PD	Digital Input Pin Pull Down	DIN_PD (page=0x00 address=0x31) [reset=40h]
0x32	MISC_CFG3	Misc Configuration 3	MISC_CFG3 (page=0x00 address=0x32) [reset=80h]
0x33	BOOST_CFG1	Boost Configure 1	BOOST_CFG1 (page=0x00 address=0x33) [reset=34h]
0x34	BOOST_CFG2	Boost Configure 2	BOOST_CFG2 (page=0x00 address=0x34) [reset=4Bh]

## Register Maps (continued)

0x35	BOOST_CFG3	Boost Configure 3	<a href="#">BOOST_CFG3 (page=0x00 address=0x35) [reset=74h]</a>
0x3D	MISC_CFG4	Misc Configuration 4	<a href="#">MISC_CFG4 (page=0x00 address=0x3D) [reset=8h]</a>
0x3F	TG_CFG0	Tone Generator	<a href="#">TG_CFG0 (page=0x00 address=0x3F) [reset=0h]</a>
0x40	BOOST_CFG4	Boost Configure 4	<a href="#">BOOST_CFG4 (page=0x00 address=0x40) [reset=36h]</a>
0x7D	REV_ID	Revision and PG ID	<a href="#">REV_ID (page=0x00 address=0x7D) [reset=0h]</a>
0x7E	I2C_CKSUM	I2C Checksum	<a href="#">I2C_CKSUM (page=0x00 address=0x7E) [reset=0h]</a>
0x7F	BOOK	Device Book	<a href="#">BOOK (page=0x00 address=0x7F) [reset=0h]</a>

### 8.5.2 Register Summary Table Page=0x01

Addr	Register	Description	Section
0x00	PAGE1	Device Page	<a href="#">PAGE1 (page=0x01 address=0x00) [reset=0h]</a>
0x08	TF_CFG21	Thermal Folder Configure	<a href="#">TF_CFG21 (page=0x01 address=0x08) [reset=40h]</a>

### 8.5.3 Register Summary Table Page=0x02

Addr	Register	Description	Section
0x00	PAGE2	Device Page	<a href="#">PAGE2 (page=0x02 address=0x00) [reset=0h]</a>
0x0C	DVC_CFG1	Digital Volume Control 1	<a href="#">DVC_CFG1 (page=0x02 address=0x0C) [reset=40h]</a>
0x0D	DVC_CFG2	Digital Volume Control 2	<a href="#">DVC_CFG2 (page=0x02 address=0x0D) [reset=40h]</a>
0x0E	DVC_CFG3	Digital Volume Control 3	<a href="#">DVC_CFG3 (page=0x02 address=0x0E) [reset=0h]</a>
0x0F	DVC_CFG4	Digital Volume Control 4	<a href="#">DVC_CFG4 (page=0x02 address=0x0F) [reset=0h]</a>
0x10	DVC_CFG5	Digital Volume Control 5	<a href="#">DVC_CFG5 (page=0x02 address=0x10) [reset=3h]</a>
0x11	DVC_CFG6	Digital Volume Control 6	<a href="#">DVC_CFG6 (page=0x02 address=0x11) [reset=4Ah]</a>
0x12	DVC_CFG7	Digital Volume Control 7	<a href="#">DVC_CFG7 (page=0x02 address=0x12) [reset=6Ch]</a>
0x13	DVC_CFG8	Digital Volume Control 8	<a href="#">DVC_CFG8 (page=0x02 address=0x13) [reset=6Ch]</a>
0x14	LIM_CFG1	Limiter Configuration 1	<a href="#">LIM_CFG1 (page=0x02 address=0x14) [reset=2Dh]</a>
0x15	LIM_CFG2	Limiter Configuration 2- Sets limiter max attenuation	<a href="#">LIM_CFG2 (page=0x02 address=0x15) [reset=6Ah]</a>
0x16	LIM_CFG3	Limiter Configuration 3- Sets limiter max attenuation	<a href="#">LIM_CFG3 (page=0x02 address=0x16) [reset=86h]</a>
0x17	LIM_CFG4	Limiter Configuration 4- Sets limiter max attenuation	<a href="#">LIM_CFG4 (page=0x02 address=0x17) [reset=6Fh]</a>
0x18	LIM_CFG5	Limiter Configuration 5	<a href="#">LIM_CFG5 (page=0x02 address=0x18) [reset=47h]</a>
0x19	LIM_CFG6	Limiter Configuration 6	<a href="#">LIM_CFG6 (page=0x02 address=0x19) [reset=5Ch]</a>
0x1A	LIM_CFG7	Limiter Configuration 7	<a href="#">LIM_CFG7 (page=0x02 address=0x1A) [reset=28h]</a>
0x1B	LIM_CFG8	Limiter Configuration 8	<a href="#">LIM_CFG8 (page=0x02 address=0x1B) [reset=F6h]</a>
0x1C	LIM_CFG9	Limiter Configuration 9	<a href="#">LIM_CFG9 (page=0x02 address=0x1C) [reset=16h]</a>
0x1D	LIM_CFG10	Limiter Configuration 10	<a href="#">LIM_CFG10 (page=0x02 address=0x1D) [reset=66h]</a>
0x1E	LIM_CFG11	Limiter Configuration 11	<a href="#">LIM_CFG11 (page=0x02 address=0x1E) [reset=66h]</a>
0x1F	LIM_CFG12	Limiter Configuration 12	<a href="#">LIM_CFG12 (page=0x02 address=0x1F) [reset=66h]</a>
0x20	LIM_CFG13	Limiter Configuration 13	<a href="#">LIM_CFG13 (page=0x02 address=0x20) [reset=34h]</a>
0x21	LIM_CFG14	Limiter Configuration 14	<a href="#">LIM_CFG14 (page=0x02 address=0x21) [reset=CCh]</a>
0x22	LIM_CFG15	Limiter Configuration 15	<a href="#">LIM_CFG15 (page=0x02 address=0x22) [reset=CCh]</a>
0x23	LIM_CFG16	Limiter Configuration 16	<a href="#">LIM_CFG16 (page=0x02 address=0x23) [reset=CDh]</a>
0x24	LIM_CFG17	Limiter Configuration 1	<a href="#">LIM_CFG17 (page=0x02 address=0x24) [reset=10h]</a>
0x25	LIM_CFG18	Limiter Configuration 2	<a href="#">LIM_CFG18 (page=0x02 address=0x25) [reset=0h]</a>
0x26	LIM_CFG19	Limiter Configuration 3	<a href="#">LIM_CFG19 (page=0x02 address=0x26) [reset=0h]</a>
0x27	LIM_CFG20	Limiter Configuration 4	<a href="#">LIM_CFG20 (page=0x02 address=0x27) [reset=0h]</a>
0x28	BOP_CFG1	Brown Out Prevention 1	<a href="#">BOP_CFG1 (page=0x02 address=0x28) [reset=2Eh]</a>
0x29	BOP_CFG2	Brown Out Prevention 2	<a href="#">BOP_CFG2 (page=0x02 address=0x29) [reset=66h]</a>
0x2A	BOP_CFG3	Brown Out Prevention 3	<a href="#">BOP_CFG3 (page=0x02 address=0x2A) [reset=66h]</a>
0x2B	BOP_CFG4	Brown Out Prevention 4	<a href="#">BOP_CFG4 (page=0x02 address=0x2B) [reset=66h]</a>
0x2C	BOP_CFG5	Brown Out Prevention 5	<a href="#">BOP_CFG5 (page=0x02 address=0x2C) [reset=2Bh]</a>

0x2D	BOP_CFG6	Brown Out Prevention 6	<a href="#">BOP_CFG6 (page=0x02 address=0x2D) [reset=33h]</a>
0x2E	BOP_CFG7	Brown Out Prevention 7	<a href="#">BOP_CFG7 (page=0x02 address=0x2E) [reset=33h]</a>
0x2F	BOP_CFG8	Brown Out Prevention 8	<a href="#">BOP_CFG8 (page=0x02 address=0x2F) [reset=33h]</a>
0x30	HPFC_CFG1	HPF Coefficient 1	<a href="#">HPFC_CFG1 (page=0x02 address=0x30) [reset=7Fh]</a>
0x31	HPFC_CFG2	HPF Coefficient 2	<a href="#">HPFC_CFG2 (page=0x02 address=0x31) [reset=FBh]</a>
0x32	HPFC_CFG3	HPF Coefficient 3	<a href="#">HPFC_CFG3 (page=0x02 address=0x32) [reset=B6h]</a>
0x33	HPFC_CFG4	HPF Coefficient 4	<a href="#">HPFC_CFG4 (page=0x02 address=0x33) [reset=14h]</a>
0x34	HPFC_CFG5	HPF Coefficient 5	<a href="#">HPFC_CFG5 (page=0x02 address=0x34) [reset=80h]</a>
0x35	HPFC_CFG6	HPF Coefficient 6	<a href="#">HPFC_CFG6 (page=0x02 address=0x35) [reset=4h]</a>
0x36	HPFC_CFG7	HPF Coefficient 7	<a href="#">HPFC_CFG7 (page=0x02 address=0x36) [reset=49h]</a>
0x37	HPFC_CFG8	HPF Coefficient 8	<a href="#">HPFC_CFG8 (page=0x02 address=0x37) [reset=EC]</a>
0x38	HPFC_CFG9	HPF Coefficient 9	<a href="#">HPFC_CFG9 (page=0x02 address=0x38) [reset=7Fh]</a>
0x39	HPFC_CFG10	HPF Coefficient 10	<a href="#">HPFC_CFG10 (page=0x02 address=0x39) [reset=7Fh]</a>
0x3A	HPFC_CFG11	HPF Coefficient 11	<a href="#">HPFC_CFG11 (page=0x02 address=0x3A) [reset=6Ch]</a>
0x3B	HPFC_CFG12	HPF Coefficient 12	<a href="#">HPFC_CFG12 (page=0x02 address=0x3B) [reset=28h]</a>
0x3C	TG_CFG1	Tone Generator 1 Freq Calc 1	<a href="#">TG_CFG1 (page=0x02 address=0x3C) [reset=3Fh]</a>
0x3D	TG_CFG2	Tone Generator 1 Freq Calc 1	<a href="#">TG_CFG2 (page=0x02 address=0x3D) [reset=FFh]</a>
0x3E	TG_CFG3	Tone Generator 1 Freq Calc 1	<a href="#">TG_CFG3 (page=0x02 address=0x3E) [reset=7Ah]</a>
0x3F	TG_CFG4	Tone Generator 1 Freq Calc 1	<a href="#">TG_CFG4 (page=0x02 address=0x3F) [reset=E3h]</a>
0x40	TG_CFG5	Tone Generator 1 Freq Calc 2	<a href="#">TG_CFG5 (page=0x02 address=0x40) [reset=1h]</a>
0x41	TG_CFG6	Tone Generator 1 Freq Calc 2	<a href="#">TG_CFG6 (page=0x02 address=0x41) [reset=1h]</a>
0x42	TG_CFG7	Tone Generator 1 Freq Calc 2	<a href="#">TG_CFG7 (page=0x02 address=0x42) [reset=5Bh]</a>
0x43	TG_CFG8	Tone Generator 1 Freq Calc 2	<a href="#">TG_CFG8 (page=0x02 address=0x43) [reset=4Ch]</a>
0x44	TG_CFG9	Tone Generator 1 Freq Calc 3	<a href="#">TG_CFG9 (page=0x02 address=0x44) [reset=0h]</a>
0x45	TG_CFG10	Tone Generator 1 Freq Calc 3	<a href="#">TG_CFG10 (page=0x02 address=0x45) [reset=0h]</a>
0x46	TG_CFG11	Tone Generator 1 Freq Calc 3	<a href="#">TG_CFG11 (page=0x02 address=0x46) [reset=3h]</a>
0x47	TG_CFG12	Tone Generator 1 Freq Calc 3	<a href="#">TG_CFG12 (page=0x02 address=0x47) [reset=1Fh]</a>
0x48	TG_CFG13	Tone Generator 1 Amplitude Calc	<a href="#">TG_CFG13 (page=0x02 address=0x48) [reset=2h]</a>
0x49	TG_CFG14	Tone Generator 1 Amplitude Calc	<a href="#">TG_CFG14 (page=0x02 address=0x49) [reset=46h]</a>
0x4A	TG_CFG15	Tone Generator 1 Amplitude Calc	<a href="#">TG_CFG15 (page=0x02 address=0x4A) [reset=B4h]</a>
0x4B	TG_CFG16	Tone Generator 1 Amplitude Calc	<a href="#">TG_CFG16 (page=0x02 address=0x4B) [reset=E4h]</a>
0x4C	TG_CFG17	Tone Generator 2 Freq Calc 1	<a href="#">TG_CFG17 (page=0x02 address=0x4C) [reset=E0h]</a>
0x4D	TG_CFG18	Tone Generator 2 Freq Calc 1	<a href="#">TG_CFG18 (page=0x02 address=0x4D) [reset=0h]</a>
0x4E	TG_CFG19	Tone Generator 2 Freq Calc 1	<a href="#">TG_CFG19 (page=0x02 address=0x4E) [reset=0h]</a>
0x4F	TG_CFG20	Tone Generator 2 Freq Calc 1	<a href="#">TG_CFG20 (page=0x02 address=0x4F) [reset=0h]</a>
0x50	TG_CFG21	Tone Generator 2 Freq Calc 2	<a href="#">TG_CFG21 (page=0x02 address=0x50) [reset=6Eh]</a>
0x51	TG_CFG22	Tone Generator 2 Freq Calc 2	<a href="#">TG_CFG22 (page=0x02 address=0x51) [reset=D9h]</a>
0x52	TG_CFG23	Tone Generator 2 Freq Calc 2	<a href="#">TG_CFG23 (page=0x02 address=0x52) [reset=EBh]</a>
0x53	TG_CFG24	Tone Generator 2 Freq Calc 2	<a href="#">TG_CFG24 (page=0x02 address=0x53) [reset=A1h]</a>
0x54	TG_CFG25	Tone Generator 2 Freq Calc 3	<a href="#">TG_CFG25 (page=0x02 address=0x54) [reset=0h]</a>
0x55	TG_CFG26	Tone Generator 2 Freq Calc 3	<a href="#">TG_CFG26 (page=0x02 address=0x55) [reset=0h]</a>
0x56	TG_CFG27	Tone Generator 2 Freq Calc 3	<a href="#">TG_CFG27 (page=0x02 address=0x56) [reset=0h]</a>
0x57	TG_CFG28	Tone Generator 2 Freq Calc 3	<a href="#">TG_CFG28 (page=0x02 address=0x57) [reset=2Ch]</a>
0x58	TG_CFG29	Tone Generator 2 Amplitude Calc	<a href="#">TG_CFG29 (page=0x02 address=0x58) [reset=8h]</a>
0x59	TG_CFG30	Tone Generator 2 Amplitude Calc	<a href="#">TG_CFG30 (page=0x02 address=0x59) [reset=9h]</a>
0x5A	TG_CFG31	Tone Generator 2 Amplitude Calc	<a href="#">TG_CFG31 (page=0x02 address=0x5A) [reset=BCh]</a>
0x5B	TG_CFG32	Tone Generator 2 Amplitude Calc	<a href="#">TG_CFG32 (page=0x02 address=0x5B) [reset=C4h]</a>
0x5C	LD_CFG0	Load Diagnostics Resistance Upper Threshold	<a href="#">LD_CFG0 (page=0x02 address=0x5C) [reset=64h]</a>
0x5D	LD_CFG1	Load Diagnostics Resistance Upper Threshold	<a href="#">LD_CFG1 (page=0x02 address=0x5D) [reset=0h]</a>
0x5E	LD_CFG2	Load Diagnostics Resistance Upper Threshold	<a href="#">LD_CFG2 (page=0x02 address=0x5E) [reset=0h]</a>
0x5F	LD_CFG3	Load Diagnostics Resistance Upper Threshold	<a href="#">LD_CFG3 (page=0x02 address=0x5F) [reset=0h]</a>
0x60	LD_CFG4	Load Diagnostics Resistance Lower Threshold	<a href="#">LD_CFG4 (page=0x02 address=0x60) [reset=0h]</a>
0x61	LD_CFG5	Load Diagnostics Resistance Lower Threshold	<a href="#">LD_CFG5 (page=0x02 address=0x61) [reset=80h]</a>
0x62	LD_CFG6	Load Diagnostics Resistance Lower Threshold	<a href="#">LD_CFG6 (page=0x02 address=0x62) [reset=0h]</a>

0x63	LD_CFG7	Load Diagnostics Resistance Lower Threshold	<a href="#">LD_CFG7 (page=0x02 address=0x63) [reset=0h]</a>
0x64	IDC_CFG0	Idle channel detection threshold	<a href="#">IDC_CFG0 (page=0x02 address=0x64) [reset=0h]</a>
0x65	IDC_CFG1	Idle channel detection threshold	<a href="#">IDC_CFG1 (page=0x02 address=0x65) [reset=20h]</a>
0x66	IDC_CFG2	Idle channel detection threshold	<a href="#">IDC_CFG2 (page=0x02 address=0x66) [reset=C4h]</a>
0x67	IDC_CFG3	Idle channel detection threshold	<a href="#">IDC_CFG3 (page=0x02 address=0x67) [reset=9Ch]</a>
0x6C	IDC_CFG7	Hysteresis for idle channel detection	<a href="#">IDC_CFG7 (page=0x02 address=0x6C) [reset=0h]</a>
0x6D	IDC_CFG8	Hysteresis for idle channel detection	<a href="#">IDC_CFG8 (page=0x02 address=0x6D) [reset=0h]</a>
0x6E	IDC_CFG9	Hysteresis for idle channel detection	<a href="#">IDC_CFG9 (page=0x02 address=0x6E) [reset=12h]</a>
0x6F	IDC_CFG10	Hysteresis for idle channel detection	<a href="#">IDC_CFG10 (page=0x02 address=0x6F) [reset=C0h]</a>
0x7C	TF_CFG_1	Thermal foldback limiter slope (in db/C)	<a href="#">TF_CFG_1 (page=0x02 address=0x7C) [reset=72h]</a>
0x7D	TF_CFG_2	Thermal foldback limiter slope (in db/C)	<a href="#">TF_CFG_2 (page=0x02 address=0x7D) [reset=14h]</a>
0x7E	TF_CFG_3	Thermal foldback limiter slope (in db/C)	<a href="#">TF_CFG_3 (page=0x02 address=0x7E) [reset=82h]</a>
0x7F	TF_CFG_4	Thermal foldback limiter slope (in db/C)	<a href="#">TF_CFG_4 (page=0x02 address=0x7F) [reset=C0h]</a>

### 8.5.4 Register Summary Table Page=0x04

Addr	Register	Description	Section
0x00	PAGE4	Device Page	<a href="#">PAGE4 (page=0x04 address=0x00) [reset=0h]</a>
0x18	LD_CFG8	Load Resistance Value after load diagnostics is completed	<a href="#">LD_CFG8 (page=0x04 address=0x18) [reset=0h]</a>
0x19	LD_CFG9	Load Resistance Value after load diagnostics is completed	<a href="#">LD_CFG9 (page=0x04 address=0x19) [reset=0h]</a>
0x1A	LD_CFG10	Load Resistance Value after load diagnostics is completed	<a href="#">LD_CFG10 (page=0x04 address=0x1A) [reset=0h]</a>
0x1B	LD_CFG11	Load Resistance Value after load diagnostics is completed	<a href="#">LD_CFG11 (page=0x04 address=0x1B) [reset=0h]</a>
0x58	TF_CFG4	Thermal foldback hold count (samples)	<a href="#">TF_CFG4 (page=0x04 address=0x58) [reset=0h]</a>
0x59	TF_CFG5	Thermal foldback hold count (samples)	<a href="#">TF_CFG5 (page=0x04 address=0x59) [reset=0h]</a>
0x5A	TF_CFG6	Thermal foldback hold count (samples)	<a href="#">TF_CFG6 (page=0x04 address=0x5A) [reset=0h]</a>
0x5B	TF_CFG7	Thermal foldback hold count (samples)	<a href="#">TF_CFG7 (page=0x04 address=0x5B) [reset=64h]</a>
0x5C	TF_CFG8	Thermal foldback limiter release rate (db/samples)	<a href="#">TF_CFG8 (page=0x04 address=0x5C) [reset=40h]</a>
0x5D	TF_CFG9	Thermal foldback limiter release rate (db/samples)	<a href="#">TF_CFG9 (page=0x04 address=0x5D) [reset=BDh]</a>
0x5E	TF_CFG10	Thermal foldback limiter release rate (db/samples)	<a href="#">TF_CFG10 (page=0x04 address=0x5E) [reset=B7h]</a>
0x5F	TF_CFG11	Thermal foldback limiter release rate (db/samples)	<a href="#">TF_CFG11 (page=0x04 address=0x5F) [reset=B0h]</a>
0x60	TF_CFG12	Thermal foldback limiter temperature threshold	<a href="#">TF_CFG12 (page=0x04 address=0x60) [reset=39h]</a>
0x61	TF_CFG13	Thermal foldback limiter temperature threshold	<a href="#">TF_CFG13 (page=0x04 address=0x61) [reset=82h]</a>
0x62	TF_CFG14	Thermal foldback limiter temperature threshold	<a href="#">TF_CFG14 (page=0x04 address=0x62) [reset=60h]</a>
0x63	TF_CFG16	Thermal foldback limiter temperature threshold	<a href="#">TF_CFG16 (page=0x04 address=0x63) [reset=7Fh]</a>
0x64	TF_CFG17	Thermal foldback max gain reduction (dB)	<a href="#">TF_CFG17 (page=0x04 address=0x64) [reset=2Dh]</a>
0x65	TF_CFG18	Thermal foldback max gain reduction (dB)	<a href="#">TF_CFG18 (page=0x04 address=0x65) [reset=6Ah]</a>
0x66	TF_CFG19	Thermal foldback max gain reduction (dB)	<a href="#">TF_CFG19 (page=0x04 address=0x66) [reset=86h]</a>
0x67	TF_CFG20	Thermal foldback max gain reduction (dB)	<a href="#">TF_CFG20 (page=0x04 address=0x67) [reset=6Fh]</a>

### 8.5.5 PAGE0 (page=0x00 address=0x00) [reset=0h]

The device's memory map is divided into pages and books. This register sets the page.

**Table 104. Device Page Field Descriptions**

Bit	Field	Type	Reset	Description
7-0	PAGE[7:0]	RW	0h	Sets the device page. 00h = Page 0 01h = Page 1 ... FFh = Page 255

### 8.5.6 SW\_RESET (page=0x00 address=0x01) [reset=0h]

Asserting Software Reset will place all register values in their default POR (Power on Reset) state.

**Table 105. Software Reset Field Descriptions**

Bit	Field	Type	Reset	Description
7-1	Reserved	R	0h	Reserved
0	SW_RESET	RW	0h	Software reset. Bit is self clearing. 0b = Don't reset 1b = Reset

### 8.5.7 PWR\_CTL (page=0x00 address=0x02) [reset=Eh]

Sets device's mode of operation and power down of IV sense blocks.

**Table 106. Power Control Field Descriptions**

Bit	Field	Type	Reset	Description
7	Reserved	R	0h	Reserved
6	LDG_MODE	RW	0h	Load Diagnostic is 0b = Not Running 1b = Running (self clearing)
5	Reserved	RW	0h	Reserved
4	Reserved	RW	0h	Reserved
3	Reserved	RW	1h	Reserved
2	Reserved	RW	1h	Reserved
1-0	MODE[1:0]	RW	2h	Device operational mode. 00b = Active 01b = Mute 10b = Software Shutdown 11b = Load Diagnostics

### 8.5.8 PB\_CFG1 (page=0x00 address=0x03) [reset=20h]

Sets playback high pass filter corner (PCM playback only).

**Table 107. Playback Configuration 1 Field Descriptions**

Bit	Field	Type	Reset	Description
7	Reserved	R	0h	Reserved
6	HPF_EN	RW	0h	Disable DC Blocker 0b = Enabled 1b = Disabled

**Table 107. Playback Configuration 1 Field Descriptions (continued)**

Bit	Field	Type	Reset	Description
5-1	AMP_LEVEL[4:0]	RW	10h	15h-1Fh - Reserved 01h = 8.5 dBV(3.76Vpk) 02h = 9.0 dBV(3.99Vpk) 03h = 9.5 dBV(4.22Vpk) 04h = 10.0 dBV(4.47Vpk) 05h = 10.5 dBV(4.74Vpk) 06h = 11.0 dBV (5.02 Vpk) 07h = 11.5 dBV (5.32 Vpk) 08h = 12.0 dBV (5.63 Vpk) 09h = 12.5 dBV (5.96 Vpk) 0Ah = 13.0 dBV (6.32 Vpk) 0Bh = 13.5 dBV (6.69 Vpk) 0Ch = 14.0 dBV (7.09 Vpk) 0Dh = 14.5 dBV (7.51 Vpk) 0Eh = 15.0 dBV (7.95 Vpk) 0Fh = 15.5 dBV (8.42 Vpk) 10h = 16.0 dBV (8.92 Vpk) 11h = 16.5 dBV (9.45 Vpk) 12h = 17.0 dBV (10.01 Vpk) 13h = 17.5 dBV (10.61 Vpk) 14h = 18.0 dBV (11.23 Vpk) 15h = Reserved 16h = Reserved 17h = Reserved 18h = Reserved 19h = Reserved 1Ah = Reserved 1Bh = Reserved 15h-1Fh - Reserved
0	Reserved	RW	0h	Reserved

### 8.5.9 MISC\_CFG1 (page=0x00 address=0x04) [reset=C6h]

Sets OTE/OCE retry, IRQZ pull up, and amp spread spectrum.

**Table 108. Misc Configuration 1 Field Descriptions**

Bit	Field	Type	Reset	Description
7	Reserved	RW	1h	Reserved
6	Reserved	RW	1h	Reserved
5	OCE_RETRY	RW	0h	Retry after over current event. 0b = Do not retry 1b = Retry after 1.5 s
4	OTE_RETRY	RW	0h	Retry after over temperature event. 0b = Do not retry 1b = Retry after 1.5 s
3	IRQZ_PU	RW	0h	IRQZ internal pull up enable. 0b = Disabled 1b = Enabled
2	AMP_SS	RW	1h	Low EMI spread spectrum enable. 0b = Disabled 1b = Enabled
1-0	Reserved	RW	2h	Reserved



**8.5.10 MISC\_CFG2 (page=0x00 address=0x05) [reset=22h]**

Set shutdown, VBAT filter, and I2C options.

**Table 109. Misc Configuration 2 Field Descriptions**

Bit	Field	Type	Reset	Description
7-6	SDZ_MODE[1:0]	RW	0h	SDZ Mode configuration. 00b = Initiates normal shutdown; force shutdown after timeout 01b = Immediate force shutdown 10b = Normal shutdown only 11b = Reserved
5-4	SDZ_TIMEOUT[1:0]	RW	2h	SDZ Timeout value 00b = 2 ms 01b = 4 ms 10b = 6 ms 11b = 23.8 ms
3	Reserved	RW	0h	Reserved
2	VBAT_FLT	RW	0h	VBAT filter into SAR ADC. 0b = 100kHz cut off 1b = Bypass
1	I2C_GBL_EN	RW	1h	I2C global address is 0b = Disabled 1b = Enabled
0	I2C_AD_DET	RW	0h	Re-detect I2C slave address (self clearing bit). 0b = normal 1b = Re-detect address

**8.5.11 TDM\_CFG0 (page=0x00 address=0x06) [reset=9h]**

Sets the TDM frame start, TDM sample rate, TDM auto rate detection and whether rate is based on 44.1 kHz or 48 kHz frequency.

**Table 110. TDM Configuration 0 Field Descriptions**

Bit	Field	Type	Reset	Description
7	Reserved	R	0h	Reserved
6	CLASSD_SYNC	RW	0h	Class-D synchronization mode. 0b = Not synchronized to audio clocks 1b = Synchronized to audio clocks
5	RAMP_RATE	RW	0h	Sample rate based on 44.1kHz or 48kHz when CLASSD_SYNC=1. 0b = 48kHz 1b = 44.1kHz
4	AUTO_RATE	RW	0h	Auto detection of TDM sample rate. 0b = Enabled 1b = Disabled
3-1	SAMP_RATE[2:0]	RW	4h	Sample rate of the TDM bus. 000b = 7.35/8 kHz 001b = 14.7/16 kHz 010b = 22.05/24 kHz 011b = 29.4/32 kHz 100b = 44.1/48 kHz 101b = 88.2/96 kHz 110b = 176.4/192 kHz 111b = Reserved
0	FRAME_START	RW	1h	TDM frame start polarity. 0b = Low to High on FSYNC 1b = High to Low on FSYNC



### 8.5.12 TDM\_CFG1 (page=0x00 address=0x07) [reset=2h]

Sets TDM RX justification, offset and capture edge.

**Table 111. TDM Configuration 1 Field Descriptions**

Bit	Field	Type	Reset	Description
7	Reserved	R	0h	Reserved
6	RX_JUSTIFY	RW	0h	TDM RX sample justification within the time slot. 0b = Left 1b = Right
5-1	RX_OFFSET[4:0]	RW	1h	TDM RX start of frame to time slot 0 offset (SBCLK cycles).
0	RX_EDGE	RW	0h	TDM RX capture clock polarity. 0b = Rising edge of SBCLK 1b = Falling edge of SBCLK

### 8.5.13 TDM\_CFG2 (page=0x00 address=0x08) [reset=Ah]

Sets TDM RX time slot select, word length and time slot length.

**Table 112. TDM Configuration 2 Field Descriptions**

Bit	Field	Type	Reset	Description
7-6	Reserved	RW	0h	Reserved
5-4	RX_SCFG[1:0]	RW	0h	TDM RX time slot select config. 00b = Mono with time slot equal to I2C address offset 01b = Mono left channel 10b = Mono right channel 11b = Stereo downmix (L+R)/2
3-2	RX_WLEN[1:0]	RW	2h	TDM RX word length. 00b = 16-bits 01b = 20-bits 10b = 24-bits 11b = 32-bits
1-0	RX_SLEN[1:0]	RW	2h	TDM RX time slot length. 00b = 16-bits 01b = 24-bits 10b = 32-bits 11b = Reserved

### 8.5.14 TDM\_CFG3 (page=0x00 address=0x09) [reset=10h]

Sets TDM RX left and right time slots.

**Table 113. TDM Configuration 3 Field Descriptions**

Bit	Field	Type	Reset	Description
7-4	RX_SLOT_R[3:0]	RW	1h	TDM RX Right Channel Time Slot.
3-0	RX_SLOT_L[3:0]	RW	0h	TDM RX Left Channel Time Slot.

### 8.5.15 TDM\_CFG4 (page=0x00 address=0x0A) [reset=13h]

Sets TDM TX bus keeper, fill, offset and transmit edge.

**Table 114. TDM Configuration 4 Field Descriptions**

Bit	Field	Type	Reset	Description
7	TX_KEEPCY	RW	0h	TDM TX SDOUT LSB data will be driven for 0b = full-cycle 1b = half-cycle
6	TX_KEEPLN	RW	0h	TDM TX SDOUT will hold the bus for the following when TX_KEEPCY is enabled 0b = 1 LSB cycle 1b = always

**Table 114. TDM Configuration 4 Field Descriptions (continued)**

Bit	Field	Type	Reset	Description
5	TX_KEEPEM	RW	0h	TDM TX SDOOUT bus keeper enable. 0b = Disable bus keeper 1b = Enable bus keeper
4	TX_FILL	RW	1h	TDM TX SDOOUT unused bitfield fill. 0b = Transmit 0 1b = Transmit Hi-Z
3-1	TX_OFFSET[2:0]	RW	1h	TDM TX start of frame to time slot 0 offset.
0	TX_EDGE	RW	1h	TDM TX launch clock polarity. 0b = Rising edge of SBCLK 1b = Falling edge of SBCLK

**8.5.16 TDM\_CFG7 (page=0x00 address=0x0D) [reset=4h]**

Sets TDM TX VBAT time slot and enable.

**Table 115. TDM Configuration 7 Field Descriptions**

Bit	Field	Type	Reset	Description
7	VBAT_SLEN	RW	0h	TDM TX VBAT time slot length. 0b = Truncate to 8-bits 1b = Left justify to 16-bits
6	VBAT_TX	RW	0h	TDM TX VBAT transmit enable. 0b = Disabled 1b = Enabled
5-0	VBAT_SLOT[5:0]	RW	4h	TDM TX VBAT time slot.

**8.5.17 TDM\_CFG8 (page=0x00 address=0x0E) [reset=5h]**

Sets TDM TX temp time slot and enable.

**Table 116. TDM Configuration 8 Field Descriptions**

Bit	Field	Type	Reset	Description
7	Reserved	R	0h	Reserved
6	TEMP_TX	RW	0h	TDM TX temp sensor transmit enable. 0b = Disabled 1b = Enabled
5-0	TEMP_SLOT[5:0]	RW	5h	TDM TX temp sensor time slot.

**8.5.18 TDM\_CFG9 (page=0x00 address=0x0F) [reset=6h]**

Sets ICLA bus, TDM TX limiter gain reduction time slot and enable.

**Table 117. TDM Configuration 9 Field Descriptions**

Bit	Field	Type	Reset	Description
7	Reserved	R	0h	Reserved
6	GAIN_TX	RW	0h	TDM TX limiter gain reduction transmit enable. 0b = Disabled 1b = Enabled
5-0	GAIN_SLOT[5:0]	RW	6h	TDM TX limiter gain reduction time slot.

### 8.5.19 TDM\_CFG10 (page=0x00 address=0x10) [reset=7h]

Sets boost current limiter slot and enable

**Table 118. TDM Configuration 10 Field Descriptions**

Bit	Field	Type	Reset	Description
7	BST_TX	RW	0h	TDM TX boost current limiter enable. 0b = Disabled 1b = Enabled
6	BST_SYNC_TX	RW	0h	TDM TX boost clock sync enable. 0b = Disabled 1b = Enabled
5-0	BST_SLOT[5:0]	RW	7h	TDM TX boost sync and current limit time slot.

### 8.5.20 TDM\_DET (page=0x00 address=0x11) [reset=7Fh]

Readback of internal auto-rate detection.

**Table 119. TDM Clock detection monitor Field Descriptions**

Bit	Field	Type	Reset	Description
7	Reserved	R	0h	Reserved
6-3	FS_RATIO[3:0]	R	Fh	Detected SBCLK to FSYNC ratio. 00h = 16 01h = 24 02h = 32 03h = 48 04h = 64 05h = 96 06h = 128 07h = 192 08h = 256 09h = 384 0Ah = 512 0Bh-0Eh = Reserved 0F = Invalid ratio
2-0	FS_RATE[2:0]	R	7h	Detected sample rate of TDM bus. 000b = 7.35/8 KHz 001b = 14.7/16 KHz 010b = 22.05/24 KHz 011b = 29.4/32 KHz 100b = 44.1/48 KHz 101b = 88.2/96 kHz 110b = 176.4/192 kHz 111b = Error condition

### 8.5.21 LIM\_CFG\_0 (page=0x00 address=0x12) [reset=12h]

Sets Limiter attack step size, attack rate and enable.

**Table 120. Limiter Configuration 0 Field Descriptions**

Bit	Field	Type	Reset	Description
7	Reserved	R	0h	Reserved
6	VBAT_LIM_TH_SELECTION	RW	0h	Select source of threshold for VBAT based limiting 0b = User configured Thresholds 1b = PVDD based thresholds
5-4	LIMB_ATK_ST[1:0]	RW	1h	VBAT Limiter/ICLA attack step size. 00b = 0.25 dB 01b = 0.5 dB 10b = 1 dB 11b = 2 dB

**Table 120. Limiter Configuration 0 Field Descriptions (continued)**

Bit	Field	Type	Reset	Description
3-1	LIMB_ATK_RT[2:0]	RW	1h	VBAT Limiter/ICLA attack rate. 000b = 1 step in 1 sample 001b = 1 step in 2 samples 010b = 1 step in 4 samples 011b = 1 step in 8 samples 100b = 1 step in 16 samples 101b = 1 step in 32 samples 110b = 1 step in 64 samples 111b = 1 step in 128 samples
0	LIMB_EN	RW	0h	Limiter enable. 0b = Disabled 1b = Enabled

**8.5.22 LIM\_CFG\_1 (page=0x00 address=0x13) [reset=76h]**

Sets VBAT limiter release step size, release rate and hold time.

**Table 121. Limiter Configuration 1 Field Descriptions**

Bit	Field	Type	Reset	Description
7-6	LIMB_RLS_ST[1:0]	RW	1h	VBAT Limiter/BOP/ICLA release step size. 00b = 0.25 dB 01b = 0.5 dB 10b = 1 dB 11b = 2 dB
5-3	LIMB_RLS_RT[2:0]	RW	6h	VBAT Limiter/BOP/ICLA release rate. 000b = 1 step in 10 samples 001b = 1 step in 20 samples 010b = 1 step in 40 samples 011b = 1 step in 80 samples 100b = 1 step in 160 samples 101b = 1 step in 320 samples 110b = 1 step in 640 samples 111b = 1 step in 1280 samples
2-0	LIMB_HLD_TM[2:0]	RW	6h	VBAT Limiter hold time in samples. 000b = 0 samples 001b = 1920 samples 010b = 4800 samples 011b = 9600 samples 100b = 19200 samples 101b = 48000 samples 110b = 96000 samples 111b = 192000 samples

**8.5.23 BOP\_CFG\_0 (page=0x00 address=0x14) [reset=1h]**

Sets BOP infinite hold clear, infinite hold enable, mute on brown out and enable.

**Table 122. Brown Out Prevention 0 Field Descriptions**

Bit	Field	Type	Reset	Description
7-5	Reserved	R	0h	Reserved
4	BOSD_EN	RW	0h	Brown out prevention shutdown enable. 0b = Disabled 1b = Enabled
3	BOP_HLD_CLR	RW	0h	BOP infinite hold clear (self clearing). 0b = Don't clear 1b = Clear
2	BOP_INF_HLD	RW	0h	Infinite hold on brown out event. 0b = Use BOP_HLD_TM after brown out event 1b = Don't release until BOP_HLD_CLR is asserted high

**Table 122. Brown Out Prevention 0 Field Descriptions (continued)**

Bit	Field	Type	Reset	Description
1	BOP_MUTE	RW	0h	Mute on brown out event. 0b = Don't mute 1b = Mute followed by device shutdown
0	BOP_EN	RW	1h	Brown out prevention enable. 0b = Disabled 1b = Enabled

**8.5.24 BOP\_CFG\_1 (page=0x00 address=0x15) [reset=2Eh]**

BOP attack rate, attack step size and hold time.

**Table 123. Brown Out Prevention 1 Field Descriptions**

Bit	Field	Type	Reset	Description
7-5	BOP_ATK_RT[2:0]	RW	1h	Brown out prevention attack rate. 000b = 1 step in 1 sample 001b = 1 step in 2 samples 010b = 1 step in 4 samples 011b = 1 step in 8 samples 100b = 1 step in 16 samples 101b = 1 step in 32 samples 110b = 1 step in 64 samples 111b = 1 step in 128 samples
4-3	BOP_ATK_ST[1:0]	RW	1h	Brown out prevention attack step size. 00b = 0.5 dB 01b = 1 dB 10b = 1.5 dB 11b = 2 dB
2-0	BOP_HLD_TM[2:0]	RW	6h	Brown out prevention hold time. 000b = 0 ms 001b = 10 ms 010b = 25 ms 011b = 50 ms 100b = 100 ms 101b = 250 ms 110b = 500 ms 111b = 1000 ms

**8.5.25 ICLA\_CFG (page=0x00 address=0x16) [reset=60h]**

ICLA gain alignment mode

**Table 124. ICLA gain alignment mode Field Descriptions**

Bit	Field	Type	Reset	Description
7	Reserved	R	0h	Reserved
6-4	Reserved	RW	6h	Reserved
3-2	ICLA_MODE[1:0]	RW	0h	Inter chip limiter alignment gain mode. 00b = Use the maximum of the ICLA group gain reduction 01b = Use the minimum of the ICLA group gain reduction 10b = Reserved 11b = Reserved
1-0	Reserved	R	0h	Reserved

**8.5.26 GAIN\_ICLA\_CFG0 (page=0x00 address=0x18) [reset=Ch]**

ICLA starting time slot and enable.

**Table 125. Inter Chip Limiter Alignment 0 Field Descriptions**

Bit	Field	Type	Reset	Description
7	Reserved	R	0h	Reserved

**Table 125. Inter Chip Limiter Alignment 0 Field Descriptions (continued)**

Bit	Field	Type	Reset	Description
6-1	ICLA_GAIN_SLOT[5:0]	RW	6h	Inter chip limiter alignment gain starting time slot.
0	ICLA_GAIN_EN	RW	0h	Inter chip limiter alignment gain enable. 0b = Disabled 1b = Enabled

**8.5.27 ICLA\_CFG1 (page=0x00 address=0x19) [reset=0h]**

ICLA time slot enables.

**Table 126. Inter Chip Limiter Alignment 1 Field Descriptions**

Bit	Field	Type	Reset	Description
7	ICLA_GAIN_SEN[3]	RW	0h	Time slot equals ICLA_GAIN_SLOT[5:0]+3. When enabled, the limiter will include this time slot in the alignment group. 0b = Disabled 1b = Enabled
6	ICLA_GAIN_SEN[2]	RW	0h	Time slot equals ICLA_GAIN_SLOT[5:0]+2. When enabled, the limiter will include this time slot in the alignment group. 0b = Disabled 1b = Enabled
5	ICLA_GAIN_SEN[1]	RW	0h	Time slot equals ICLA_GAIN_SLOT[5:0]+1. When enabled, the limiter will include this time slot in the alignment group. 0b = Disabled 1b = Enabled
4	ICLA_GAIN_SEN[0]	RW	0h	Time slot equals ICLA_GAIN_SLOT[5:0]+0. When enabled, the limiter will include this time slot in the alignment group. 0b = Disabled 1b = Enabled
3	Reserved	RW	0h	Reserved
2	Reserved	RW	0h	Reserved
1	Reserved	RW	0h	Reserved
0	Reserved	RW	0h	Reserved

**8.5.28 INT\_MASK0 (page=0x00 address=0x1A) [reset=FCh]**

Interrupt masks.

**Table 127. Interrupt Mask 0 Field Descriptions**

Bit	Field	Type	Reset	Description
7	INT_MASK[7]	RW	1h	Limiter mute mask. 0b = Don't Mask 1b = Mask
6	INT_MASK[6]	RW	1h	Limiter infinite hold mask. 0b = Don't Mask 1b = Mask
5	INT_MASK[5]	RW	1h	Limiter max attenuation mask. 0b = Don't Mask 1b = Mask
4	INT_MASK[4]	RW	1h	VBAT below limiter inflection point mask. 0b = Don't Mask 1b = Mask
3	INT_MASK[3]	RW	1h	Limiter active mask. 0b = Don't Mask 1b = Mask
2	INT_MASK[2]	RW	1h	TDM clock error mask. 0b = Don't Mask 1b = Mask

**Table 127. Interrupt Mask 0 Field Descriptions (continued)**

Bit	Field	Type	Reset	Description
1	INT_MASK[1]	RW	0h	Over current error mask. 0b = Don't Mask 1b = Mask
0	INT_MASK[0]	RW	0h	Over temp error mask. 0b = Don't Mask 1b = Mask

**8.5.29 INT\_MASK1 (page=0x00 address=0x1B) [reset=A6h]**

Interrupt masks.

**Table 128. Interrupt Mask 1 Field Descriptions**

Bit	Field	Type	Reset	Description
7	Reserved	RW	1h	Reserved
6	Reserved	RW	0h	Reserved
5	INT_MASK[13]	RW	1h	Load Diagnostic Completion Mask 0b = Don't Mask 1b = Masked
4-3	INT_MASK[12:11]	RW	0h	Speaker open load mask 00b = Don't Mask 01b = Mask open Load detection 10b = Mask Short Load detection 11b = Mask both Open, Short Load detection
2	INT_MASK[10]	RW	1h	Brownout device power down start mask 0b = Don't Mask 1b = Mask
1	INT_MASK[9]	RW	1h	Brownout Protection Active mask 0b = Don't Mask 1b = Mask
0	INT_MASK[8]	RW	0h	VBAT Brown out detected mask 0b = Don't Mask 1b = Mask

**8.5.30 INT\_LIVE0 (page=0x00 address=0x1F) [reset=0h]**

Live interrupt readback.

**Table 129. Live Interrupt Readback 0 Field Descriptions**

Bit	Field	Type	Reset	Description
7	INT_LIVE[7]	R	0h	Interrupt due to limiter mute. 0b = No interrupt 1b = Interrupt
6	INT_LIVE[6]	R	0h	Interrupt due to limiter infinite hold. 0b = No interrupt 1b = Interrupt
5	INT_LIVE[5]	R	0h	Interrupt due to limiter max attenuation. 0b = No interrupt 1b = Interrupt
4	INT_LIVE[4]	R	0h	Interrupt due to VBAT below limiter inflection point. 0b = No interrupt 1b = Interrupt
3	INT_LIVE[3]	R	0h	Interrupt due to limiter active. 0b = No interrupt 1b = Interrupt
2	INT_LIVE[2]	R	0h	Interrupt due to TDM clock error. 0b = No interrupt 1b = Interrupt

**Table 129. Live Interrupt Readback 0 Field Descriptions (continued)**

Bit	Field	Type	Reset	Description
1	INT_LIVE[1]	R	0h	Interrupt due to over current error. 0b = No interrupt 1b = Interrupt
0	INT_LIVE[0]	R	0h	Interrupt due to over temp error. 0b = No interrupt 1b = Interrupt

**8.5.31 INT\_LIVE1 (page=0x00 address=0x20) [reset=0h]**

Live interrupt readback.

**Table 130. Live Interrupt Readback 1 Field Descriptions**

Bit	Field	Type	Reset	Description
7	Reserved	R	0h	Reserved
6	Reserved	R	0h	Reserved
5-2	INT_LIVE[13:10]	R	0h	Reserved
1	INT_LIVE[9]	R	0h	Brownout Protection Active flag 0b = No interrupt 1b = Interrupt
0	INT_LIVE[8]	R	0h	Interrupt due to VBAT brown out detected flag. 0b = No interrupt 1b = Interrupt

**8.5.32 INT\_LTCH0 (page=0x00 address=0x24) [reset=0h]**

Latched interrupt readback.

**Table 131. Latched Interrupt Readback 0 Field Descriptions**

Bit	Field	Type	Reset	Description
7	INT_LTCH0[7]	R	0h	Interrupt due to limiter mute. 0b = No interrupt 1b = Interrupt
6	INT_LTCH0[6]	R	0h	Interrupt due to limiter infinite hold. 0b = No interrupt 1b = Interrupt
5	INT_LTCH0[5]	R	0h	Interrupt due to limiter max attenuation. 0b = No interrupt 1b = Interrupt
4	INT_LTCH0[4]	R	0h	Interrupt due to VBAT below limiter inflection point. 0b = No interrupt 1b = Interrupt
3	INT_LTCH0[3]	R	0h	Interrupt due to limiter active 0b = No interrupt 1b = Interrupt
2	INT_LTCH0[2]	R	0h	Interrupt due to TDM clock error 0b = No interrupt 1b = Interrupt
1	INT_LTCH0[1]	R	0h	Interrupt due to over current error 0b = No interrupt 1b = Interrupt
0	INT_LTCH0[0]	R	0h	Interrupt due to over temp error 0b = No interrupt 1b = Interrupt



**8.5.33 INT\_LTCH1 (page=0x00 address=0x25) [reset=0h]**

Latched interrupt readback.

**Table 132. Latched Interrupt Readback 1 Field Descriptions**

Bit	Field	Type	Reset	Description
7	Reserved	R	0h	Reserved
6	Reserved	R	0h	Reserved
5	INT_LTCH1[5]	R	0h	Interrupt due to load diagnostic completion. 0b = Not completed 1b = Completed
4-3	INT_LTCH1[4:3]	R	0h	Interrupt due to Load Diagnostic Mode Fault Status. 00b = Normal Load 01b = Open Load Detected 10b = Short Load Detected 11b = Reserved
2	INT_LTCH1[2]	R	0h	Interrupt due to Brownout Protection Triggered shutdown. 0b = No interrupt 1b = Interrupt
1	INT_LTCH1[1]	R	0h	Interrupt due to Brownout Protection Active flag. 0b = No interrupt 1b = Interrupt
0	INT_LTCH1[0]	R	0h	Interrupt due to VBAT brown out detected flag. 0b = No interrupt 1b = Interrupt

**8.5.34 VBAT\_MSB (page=0x00 address=0x2A) [reset=0h]**

MSBs of SAR ADC VBAT conversion.

**Table 133. SAR ADC Conversion 0 Field Descriptions**

Bit	Field	Type	Reset	Description
7-0	VBAT_CNV[9:2]	R	0h	Returns SAR ADC VBAT conversion MSBs.

**8.5.35 VBAT\_LSB (page=0x00 address=0x2B) [reset=0h]**

LSBs of SAR ADC VBAT conversion.

**Table 134. SAR ADC Conversion 1 Field Descriptions**

Bit	Field	Type	Reset	Description
7-6	VBAT_CNV[1:0]	R	0h	Returns SAR ADC VBAT conversion LSBs.
5-0	Reserved	R	0h	Reserved

**8.5.36 TEMP (page=0x00 address=0x2C) [reset=0h]**

SARD ADC Temp conversion.

**Table 135. SAR ADC Conversion 2 Field Descriptions**

Bit	Field	Type	Reset	Description
7-0	TMP_CNV[7:0]	R	0h	Returns SAR ADC temp sensor conversion.

**8.5.37 INT\_CLK (page=0x00 address=0x30) [reset=19h]**

Sets ASI clock error handling and interrupt configuration.

**Table 136. Interrupt and Clock Error Field Descriptions**

Bit	Field	Type	Reset	Description
7	CLK_ERR_PWR_EN	RW	0h	Power up/down based on valid ASI clocks is 0b = Disable 1b = Enabled
6	CLK_HALT_EN	RW	0h	Put device to sleep(halt) after clock error lasts longer than CLK_HALT_TIMER is 0b = Enable 1b =: Disable
5-3	CLK_HALT_TIMER[2:0]	RW	3h	If CLK_HALT_EN device will goto sleep after 000b = 1 ms 001b = 3.27 ms 010b = 26.21ms 011b = 52.42ms 100b = 104.85ms 101b = 209.71ms 110b = 419.43ms 111b = 838.86ms
2	INT_CLR_LTCH	RW	0h	Clear INT_LTCH registers 0b = Don't clear 1b = Clear (self clearing bit)
1-0	IRQZ_PIN_CFG[1:0]	RW	1h	IRQZ interrupt configuration. IRQZ will assert 00b = on any unmasked live interrupts 01b = on any unmasked latched interrupts 10b = for 2-4ms one time on any unmasked live interrupt event 11b = for 2-4ms every 4ms on any unmasked latched interrupts

**8.5.38 DIN\_PD (page=0x00 address=0x31) [reset=40h]**

Sets enables of input pin weak pull down.

**Table 137. Digital Input Pin Pull Down Field Descriptions**

Bit	Field	Type	Reset	Description
7	Reserved	R	0h	Reserved
6	DIN_PD[6]	RW	1h	Weak pull down for GPIO. 0b = Disabled 1b = Enabled
5	DIN_PD[5]	RW	0h	Weak pull down for AD1. 0b = Disabled 1b = Enabled
4	DIN_PD[4]	RW	0h	Weak pull down for AD0. 0b = Disabled 1b = Enabled
3	DIN_PD[3]	RW	0h	Weak pull down for SDOUT. 0b = Disabled 1b = Enabled
2	DIN_PD[2]	RW	0h	Weak pull down for SDIN. 0b = Disabled 1b = Enabled
1	DIN_PD[1]	RW	0h	Weak pull down for FSYNC. 0b = Disabled 1b = Enabled
0	DIN_PD[0]	RW	0h	Weak pull down for SBCLK. 0b = Disabled 1b = Enabled

**8.5.39 MISC\_CFG3 (page=0x00 address=0x32) [reset=80h]**

Set IRQZ pin active state

**Table 138. Misc Configuration 3 Field Descriptions**

Bit	Field	Type	Reset	Description
7	IRQZ_POL	RW	1h	IRQZ pin polarity for interrupt. 0b = Active high (IRQ) 1b = Active low (IRQZ)
6-4	Reserved	RW	0h	Reserved
3-2	Reserved	R	0h	Reserved
1	Reserved	RW	0h	Reserved
0	Reserved	R	0h	Reserved

**8.5.40 BOOST\_CFG1 (page=0x00 address=0x33) [reset=34h]**

Boost Configure 1

**Table 139. Boost Configure 1 Field Descriptions**

Bit	Field	Type	Reset	Description
7	BST_MODE	RW	0h	Boost Mode
6	BST_MODE	RW	0h	Boost Mode 00b = Class-H 01b = Class-G 10b = Always ON 11b = Always OFF(Passthrough)
5	BST_EN	RW	1h	Boost enable 0b = Disabled 1b = Enabled
4-3	BST_GSST[1:0]	RW	2h	Boost soft-start timer in Class-G mode 00b = 1 x Class-H power-up time 01b = 2 x Class-H power-up time 10b = 4 x Class-H power-up time 11b = 8 x Class-H power-up time
2-1	BST_PFML[1:0]	RW	2h	Boost active mode PFM lower limit 00b = No lower limit 01b = 25 kHz 10b = 50 kHz 11b = 100 kHz
0	Reserved	RW	0h	Reserved

**8.5.41 BOOST\_CFG2 (page=0x00 address=0x34) [reset=4Bh]**

Boost Configure 2

**Table 140. Boost Configure 2 Field Descriptions**

Bit	Field	Type	Reset	Description
7-6	BST_IR[1:0]	RW	1h	Boost inductor range 00b = less than 0.6 uH 01b = 0.6 uH to 1.3 uH 10b = 1.3 uH to 2.5 uH 11b = Reserved
5	BST_SYNC	RW	0h	Boost sync to clock 0b = Not synced 1b = Synced
4	BST_PA	RW	0h	Boost sync phase 0b = 0 deg 1b = 180 deg

**Table 140. Boost Configure 2 Field Descriptions (continued)**

Bit	Field	Type	Reset	Description
3-0	BST_VREG[3:0]	RW	Bh	Boost Maximum Voltage 0000b = Reserved 0001b = 6.5 V 0010b = 7.0 V .... 1011b = 11.5 V .... 1101b = 12.5 V 1110b-1111b = Reserved

**8.5.42 BOOST\_CFG3 (page=0x00 address=0x35) [reset=74h]**

Boost Configure 3

**Table 141. Boost Configure 3 Field Descriptions**

Bit	Field	Type	Reset	Description
7-4	BST_HSST[3:0]	RW	7h	Step Time for Boost if in Class-H mode 0000b = 9us 0001b = 18us 0010b = 36us 0011b = 54us 0100b = 72us 0101b = 90us 0110b = 108us 0111b = 135us 1000b = 162us 1001b = 198us 1010b = 252us 1011b = 342us 1100b = 477us 1101b = 612us 1110b = 792us 1111b = 990us
3-2	BST_LR[1:0]	RW	1h	Slope of boost load regulation. 00b = Reserved 01b = 3A/V; load regulation = 1V (default) 10b = 2A/V; load regulation = 1.5V 11b = Reserved
1	Reserved	RW	0h	Reserved
0	Reserved	R	0h	Reserved

**8.5.43 MISC\_CFG4 (page=0x00 address=0x3D) [reset=8h]**

Tone gen clocking, load diagnostic clocking, VI averaging.

**Table 142. Misc Configuration 4 Field Descriptions**

Bit	Field	Type	Reset	Description
7-4	Reserved	R	0h	Clock source for tone generator beep mode 0b = External TDM 1b = Internal Oscillator
3	LDG_CLK	RW	0h	Clock source for load diagnostic 0b = External TDM 1b = Internal Oscillator
2-1	Reserved	RW	1h	Reserved
0	Reserved	RW	0h	Reserved

**8.5.44 TG\_CFG0 (page=0x00 address=0x3F) [reset=0h]**

Tone Generator

**Table 143. Tone Generator Field Descriptions**

Bit	Field	Type	Reset	Description
7-6	TG1_EN[1:0]	RW	0h	Tone Generator 1 is 00b = Disabled or pin triggered 01b = Enabled - play tone 10b = audio level enabled 11b = reserved
5-4	TG1_PINEN[1:0]	RW	0h	Tone pin trigger 00b = Disabled 01b = SDIN 10b = GPIO 11b = AD1
3	TG2_EN	RW	0h	Tone Generator 2 is 0b = Disabled 1b = Enabled
2-0	Reserved	R	0h	Reserved

**8.5.45 BOOST\_CFG4 (page=0x00 address=0x40) [reset=36h]**

Boost Configure 4

**Table 144. Boost Configure 4 Field Descriptions**

Bit	Field	Type	Reset	Description
7-0	BST_SSL[7:0]	RW	0h	Boost peak current limit 00h = 0.99 A 01h = 1.045 A 02h = 1.1 A ... 0x36h = 3.96 A 0x37h = 4 A 0x38h-0x3Fh = Reserved

**8.5.46 REV\_ID (page=0x00 address=0x7D) [reset=0h]**

Returns REV and PG ID.

**Table 145. Revision and PG ID Field Descriptions**

Bit	Field	Type	Reset	Description
7-4	REV_ID[3:0]	R	0h	Returns the revision ID.
3-0	PG_ID[3:0]	R	0h	Returns the PG ID.

**8.5.47 I2C\_CKSUM (page=0x00 address=0x7E) [reset=0h]**

Returns I2C checksum.

**Table 146. I2C Checksum Field Descriptions**

Bit	Field	Type	Reset	Description
7-0	I2C_CKSUM[7:0]	RW	0h	Returns I2C checksum. Writing to this register will reset the checksum to the written value. This register is updated on writes to other registers on all books and pages.

**8.5.48 BOOK (page=0x00 address=0x7F) [reset=0h]**

Device's memory map is divided into pages and books. This register sets the book.

**Table 147. Device Book Field Descriptions**

Bit	Field	Type	Reset	Description
7-0	BOOK[7:0]	RW	0h	Sets the device book. 00h = Book 0 01h = Book 1 ... FFh = Book 255

**8.5.49 PAGE1 (page=0x01 address=0x00) [reset=0h]**

Device Page

**Table 148. Device Page Field Descriptions**

Bit	Field	Type	Reset	Description
7-0	PAGE[7:0]	RW	0h	Sets the device page. 00h = Page 0 01h = Page 1 ... FFh = Page 255

**8.5.50 TF\_CFG21 (page=0x01 address=0x08) [reset=40h]**

Set the enable for thermal foldback

**Table 149. Thermal Folder Configure Field Descriptions**

Bit	Field	Type	Reset	Description
7	Reserved	R	0h	Reserved
6	TF_EN	RW	1h	Thermal Foldback is 0 = Disabled 1 = Enabled
5-0	Reserved	RW	0h	Reserved

**8.5.51 PAGE2 (page=0x02 address=0x00) [reset=0h]**

The device's memory map is divided into pages and books. This register sets the page.

**Table 150. Device Page Field Descriptions**

Bit	Field	Type	Reset	Description
7-0	PAGE[7:0]	RW	0h	Sets the device page. 00h = Page 0 01h = Page 1 ... FFh = Page 255

**8.5.52 DVC\_CFG1 (page=0x02 address=0x0C) [reset=40h]**

Sets playback volume for PCM playback path.

**Table 151. Digital Volume Control 1 Field Descriptions**

Bit	Field	Type	Reset	Description
7-0	DVC_PCM[31:24]	RW	40h	$\text{round}(10^{(\text{volume in dB}/20)} \cdot 2^{30})$

**8.5.53 DVC\_CFG2 (page=0x02 address=0x0D) [reset=40h]**

Sets playback volume for PCM playback path.

**Table 152. Digital Volume Control 2 Field Descriptions**

Bit	Field	Type	Reset	Description
7-0	DVC_PCM[23:16]	RW	40h	$\text{round}(10^{(\text{volume in dB}/20)} \cdot 2^{30})$

**8.5.54 DVC\_CFG3 (page=0x02 address=0x0E) [reset=0h]**

Sets playback volume for PCM playback path.

**Table 153. Digital Volume Control 3 Field Descriptions**

Bit	Field	Type	Reset	Description
7-0	DVC_PCM[15:8]	RW	0h	$\text{round}(10^{(\text{volume in dB}/20)} \cdot 2^{30})$

**8.5.55 DVC\_CFG4 (page=0x02 address=0x0F) [reset=0h]**

Sets playback volume for PCM playback path.

**Table 154. Digital Volume Control 4 Field Descriptions**

Bit	Field	Type	Reset	Description
7-0	DVC_PCM[7:0]	RW	0h	$\text{round}(10^{(\text{volume in dB}/20)} \cdot 2^{30})$

**8.5.56 DVC\_CFG5 (page=0x02 address=0x10) [reset=3h]**

Sets ramp rate for volume control

**Table 155. Digital Volume Control 5 Field Descriptions**

Bit	Field	Type	Reset	Description
7-0	DVC_RAMP[31:24]	RW	3h	$\text{round}((1 - \exp(-1/(0.2 \cdot \text{fs} \cdot \text{time in seconds}))) \cdot 2^{31})$

**8.5.57 DVC\_CFG6 (page=0x02 address=0x11) [reset=4Ah]**

Sets ramp rate for volume control

**Table 156. Digital Volume Control 6 Field Descriptions**

Bit	Field	Type	Reset	Description
7-0	DVC_RAMP[23:16]	RW	4Ah	$\text{round}((1 - \exp(-1/(0.2 \cdot \text{fs} \cdot \text{time in seconds}))) \cdot 2^{31})$

**8.5.58 DVC\_CFG7 (page=0x02 address=0x12) [reset=51h]**

Sets ramp rate for volume control

**Table 157. Digital Volume Control 7 Field Descriptions**

Bit	Field	Type	Reset	Description
7-0	DVC_RAMP[15:8]	RW	51h	$\text{round}((1 - \exp(-1/(0.2 \cdot \text{fs} \cdot \text{time in seconds}))) \cdot 2^{31})$

**8.5.59 DVC\_CFG7 (page=0x02 address=0x13) [reset=6Ch]**

Sets ramp rate for volume control

**Table 158. Digital Volume Control 8 Field Descriptions**

Bit	Field	Type	Reset	Description
7-0	DVC_RAMP[7:0]	RW	6Ch	$\text{round}((1 - \exp(-1/(0.2 \cdot \text{fs} \cdot \text{time in seconds}))) \cdot 2^{31})$

**8.5.60 LIM\_CFG1 (page=0x02 address=0x14) [reset=2Dh]**

Sets limiter max attenuation

**Table 159. Limiter Configuration 1 Field Descriptions**

Bit	Field	Type	Reset	Description
7-0	LIM_MAX_ATN[31:24]	RW	2Dh	$\text{round}(10^{(\text{max attn dB}/20)} \cdot 2^{31})$

**8.5.61 LIM\_CFG2 (page=0x02 address=0x15) [reset=6Ah]**

Limiter Configuration 2- Sets limiter max attenuation

**Table 160. Limiter Configuration 2- Sets limiter max attenuation Field Descriptions**

Bit	Field	Type	Reset	Description
7-0	LIM_MAX_ATN[23:16]	RW	6Ah	$\text{round}(10^{(\text{max attn dB}/20)} \cdot 2^{31})$

**8.5.62 LIM\_CFG3 (page=0x02 address=0x16) [reset=86h]**

Limiter Configuration 3- Sets limiter max attenuation

**Table 161. Limiter Configuration 3- Sets limiter max attenuation Field Descriptions**

Bit	Field	Type	Reset	Description
7-0	LIM_MAX_ATN[15:8]	RW	86h	$\text{round}(10^{(\text{max attn dB}/20)} \cdot 2^{31})$

**8.5.63 LIM\_CFG4 (page=0x02 address=0x17) [reset=6Fh]**

Limiter Configuration 4- Sets limiter max attenuation

**Table 162. Limiter Configuration 4- Sets limiter max attenuation Field Descriptions**

Bit	Field	Type	Reset	Description
7-0	LIM_MAX_ATN[7:0]	RW	6Fh	$\text{round}(10^{(\text{max attn dB}/20)} \cdot 2^{31})$

**8.5.64 LIM\_CFG5 (page=0x02 address=0x18) [reset=47h]**

Sets VBAT Limiter max threshold.

**Table 163. Limiter Configuration 5 Field Descriptions**

Bit	Field	Type	Reset	Description
7-0	LIMB_TH_MAX[31:24]	RW	47h	$\text{round}(\text{lim max peak voltage} \cdot 2^{27})$

**8.5.65 LIM\_CFG6 (page=0x02 address=0x19) [reset=5Ch]**

Sets VBAT Limiter max threshold.

**Table 164. Limiter Configuration 6 Field Descriptions**

Bit	Field	Type	Reset	Description
7-0	LIMB_TH_MAX[23:16]	RW	5Ch	$\text{round}(\text{lim max peak voltage} \cdot 2^{27})$

**8.5.66 LIM\_CFG7 (page=0x02 address=0x1A) [reset=28h]**

Sets VBAT Limiter max threshold.

**Table 165. Limiter Configuration 7 Field Descriptions**

Bit	Field	Type	Reset	Description
7-0	LIMB_TH_MAX[15:8]	RW	28h	$\text{round}(\text{lim max peak voltage} \cdot 2^{27})$



**8.5.67 LIM\_CFG8 (page=0x02 address=0x1B) [reset=F6h]**

Sets VBAT Limiter max threshold.

**Table 166. Limiter Configuration 8 Field Descriptions**

Bit	Field	Type	Reset	Description
7-0	LIMB_TH_MAX[7:0]	RW	F6h	round(lim max peak voltage*2 <sup>27</sup> )

**8.5.68 LIM\_CFG9 (page=0x02 address=0x1C) [reset=16h]**

Sets VBAT limiter min threshold.

**Table 167. Limiter Configuration 9 Field Descriptions**

Bit	Field	Type	Reset	Description
7-0	LIMB_TH_MIN[31:24]	RW	16h	round(lim min peak voltage*2 <sup>27</sup> )

**8.5.69 LIM\_CFG10 (page=0x02 address=0x1D) [reset=66h]**

Sets VBAT limiter min threshold.

**Table 168. Limiter Configuration 10 Field Descriptions**

Bit	Field	Type	Reset	Description
7-0	LIMB_TH_MIN[23:16]	RW	66h	round(lim min peak voltage*2 <sup>27</sup> )

**8.5.70 LIM\_CFG11 (page=0x02 address=0x1E) [reset=66h]**

Sets VBAT limiter min threshold.

**Table 169. Limiter Configuration 11 Field Descriptions**

Bit	Field	Type	Reset	Description
7-0	LIMB_TH_MIN[15:8]	RW	66h	round(lim min peak voltage*2 <sup>27</sup> )

**8.5.71 LIM\_CFG12 (page=0x02 address=0x1F) [reset=66h]**

Sets VBAT limiter min threshold.

**Table 170. Limiter Configuration 12 Field Descriptions**

Bit	Field	Type	Reset	Description
7-0	LIMB_TH_MIN[7:0]	RW	66h	round(lim min peak voltage*2 <sup>27</sup> )

**8.5.72 LIM\_CFG13 (page=0x02 address=0x20) [reset=34h]**

Sets VBAT limiter inflection point.

**Table 171. Limiter Configuration 13 Field Descriptions**

Bit	Field	Type	Reset	Description
7-0	LIMB_INF_PT[31:24]	RW	34h	round(Vbat at inflection point*2 <sup>28</sup> )

**8.5.73 LIM\_CFG14 (page=0x02 address=0x21) [reset=CCh]**

Sets VBAT limiter inflection point.

**Table 172. Limiter Configuration 14 Field Descriptions**

Bit	Field	Type	Reset	Description
7-0	LIMB_INF_PT[23:16]	RW	CCh	round(Vbat at inflection point*2 <sup>28</sup> )

**8.5.74 LIM\_CFG15 (page=0x02 address=0x22) [reset=CCh]**

Sets VBAT limiter inflection point.

**Table 173. Limiter Configuration 15 Field Descriptions**

Bit	Field	Type	Reset	Description
7-0	LIMB_INF_PT[15:8]	RW	CCh	round(Vbat at inflection point*2 <sup>28</sup> )

**8.5.75 LIM\_CFG16 (page=0x02 address=0x23) [reset=CDh]**

Sets VBAT limiter inflection point.

**Table 174. Limiter Configuration 16 Field Descriptions**

Bit	Field	Type	Reset	Description
7-0	LIMB_INF_PT[7:0]	RW	CDh	round(Vbat at inflection point*2 <sup>28</sup> )

**8.5.76 LIM\_CFG17 (page=0x02 address=0x24) [reset=10h]**

Sets VBAT limiter slope

**Table 175. Limiter Configuration 1 Field Descriptions**

Bit	Field	Type	Reset	Description
7-0	LIMB_SLOPE[31:24]	RW	10h	round(slope*2 <sup>28</sup> )

**8.5.77 LIM\_CFG18 (page=0x02 address=0x25) [reset=0h]**

Sets VBAT limiter slope

**Table 176. Limiter Configuration 2 Field Descriptions**

Bit	Field	Type	Reset	Description
7-0	LIMB_SLOPE[23:16]	RW	0h	round(slope*2 <sup>28</sup> )

**8.5.78 LIM\_CFG19 (page=0x02 address=0x26) [reset=0h]**

Sets VBAT limiter slope

**Table 177. Limiter Configuration 3 Field Descriptions**

Bit	Field	Type	Reset	Description
7-0	LIMB_SLOPE[15:8]	RW	0h	round(slope*2 <sup>28</sup> )

**8.5.79 LIM\_CFG20 (page=0x02 address=0x27) [reset=0h]**

Sets VBAT limiter slope

**Table 178. Limiter Configuration 4 Field Descriptions**

Bit	Field	Type	Reset	Description
7-0	LIMB_SLOPE[7:0]	RW	0h	round(slope*2 <sup>28</sup> )

**8.5.80 BOP\_CFG1 (page=0x02 address=0x28) [reset=2Eh]**

BOP threshold.

**Table 179. Brown Out Prevention 1 Field Descriptions**

Bit	Field	Type	Reset	Description
7-0	BOP_TH[31:24]	RW	2Eh	round(Vbat BOP threshold*2 <sup>28</sup> )

**8.5.81 BOP\_CFG2 (page=0x02 address=0x29) [reset=66h]**

BOP threshold.

**Table 180. Brown Out Prevention 2 Field Descriptions**

Bit	Field	Type	Reset	Description
7-0	BOP_TH[23:16]	RW	66h	round(Vbat BOP threshold*2 <sup>28</sup> )

**8.5.82 BOP\_CFG3 (page=0x02 address=0x2A) [reset=66h]**

BOP threshold.

**Table 181. Brown Out Prevention 3 Field Descriptions**

Bit	Field	Type	Reset	Description
7-0	BOP_TH[15:8]	RW	66h	round(Vbat BOP threshold*2 <sup>28</sup> )

**8.5.83 BOP\_CFG4 (page=0x02 address=0x2B) [reset=66h]**

BOP threshold.

**Table 182. Brown Out Prevention 4 Field Descriptions**

Bit	Field	Type	Reset	Description
7-0	BOP_TH[7:0]	RW	66h	round(Vbat BOP threshold*2 <sup>28</sup> )

**8.5.84 BOP\_CFG5 (page=0x02 address=0x2C) [reset=2Bh]**

BOSD threshold.

**Table 183. Brown Out Prevention 5 Field Descriptions**

Bit	Field	Type	Reset	Description
7-0	BOSD_TH[31:24]	RW	2Bh	round(Vbat BOSD threshold*2 <sup>28</sup> )

**8.5.85 BOP\_CFG6 (page=0x02 address=0x2D) [reset=33h]**

BOSD threshold.

**Table 184. Brown Out Prevention 6 Field Descriptions**

Bit	Field	Type	Reset	Description
7-0	BOSD_TH[23:16]	RW	33h	round(Vbat BOSD threshold*2 <sup>28</sup> )

**8.5.86 BOP\_CFG7 (page=0x02 address=0x2E) [reset=33h]**

BOSD threshold.

**Table 185. Brown Out Prevention 7 Field Descriptions**

Bit	Field	Type	Reset	Description
7-0	BOSD_TH[15:8]	RW	33h	round(Vbat BOSD threshold*2 <sup>28</sup> )

**8.5.87 BOP\_CFG8 (page=0x02 address=0x2F) [reset=33h]**

BOSD threshold.

**Table 186. Brown Out Prevention 8 Field Descriptions**

Bit	Field	Type	Reset	Description
7-0	BOSD_TH[7:0]	RW	33h	round(Vbat BOSD threshold*2 <sup>28</sup> )

**8.5.88 HPFC\_CFG1 (page=0x02 address=0x30) [reset=7Fh]**

HPF Biquad coefficients

**Table 187. HPF Coefficient 1 Field Descriptions**

Bit	Field	Type	Reset	Description
7-0	HPF_COEFF_N0[31:24]	RW	7Fh	[N, D] = butter(1, fc/(fs/2), 'high'); round(N(1)*2^31);

**8.5.89 HPFC\_CFG2 (page=0x02 address=0x31) [reset=FBh]**

HPF Biquad coefficients

**Table 188. HPF Coefficient 2 Field Descriptions**

Bit	Field	Type	Reset	Description
7-0	HPF_COEFF_N0[23:16]	RW	FBh	[N, D] = butter(1, fc/(fs/2), 'high'); round(N(1)*2^31);

**8.5.90 HPFC\_CFG3 (page=0x02 address=0x32) [reset=B6h]**

HPF Biquad coefficients

**Table 189. HPF Coefficient 3 Field Descriptions**

Bit	Field	Type	Reset	Description
7-0	HPF_COEFF_N0[15:8]	RW	B6h	[N, D] = butter(1, fc/(fs/2), 'high'); round(N(1)*2^31);

**8.5.91 HPFC\_CFG4 (page=0x02 address=0x33) [reset=14h]**

HPF Biquad coefficients

**Table 190. HPF Coefficient 4 Field Descriptions**

Bit	Field	Type	Reset	Description
7-0	HPF_COEFF_N0[7:0]	RW	14h	[N, D] = butter(1, fc/(fs/2), 'high'); round(N(1)*2^31);

**8.5.92 HPFC\_CFG5 (page=0x02 address=0x34) [reset=80h]**

HPF Biquad coefficients

**Table 191. HPF Coefficient 5 Field Descriptions**

Bit	Field	Type	Reset	Description
7-0	HPF_COEFF_N1[31:24]	RW	80h	[N, D] = butter(1, fc/(fs/2), 'high'); round(N(2)*2^31);

**8.5.93 HPFC\_CFG6 (page=0x02 address=0x35) [reset=4h]**

HPF Biquad coefficients

**Table 192. HPF Coefficient 6 Field Descriptions**

Bit	Field	Type	Reset	Description
7-0	HPF_COEFF_N1[23:16]	RW	4h	[N, D] = butter(1, fc/(fs/2), 'high'); round(N(2)*2^31);

**8.5.94 HPFC\_CFG7 (page=0x02 address=0x36) [reset=49h]**

HPF Biquad coefficients

**Table 193. HPF Coefficient 7 Field Descriptions**

Bit	Field	Type	Reset	Description
7-0	HPF_COEFF_N1[15:8]	RW	49h	[N, D] = butter(1, fc/(fs/2), 'high'); round(N(2)*2^31);

**8.5.95 HPFC\_CFG8 (page=0x02 address=0x37) [reset=ECCh]**

HPF Biquad coefficients

**Table 194. HPF Coefficient 8 Field Descriptions**

Bit	Field	Type	Reset	Description
7-0	HPF_COEFF_N1[7:0]	RW	ECCh	[N, D] = butter(1, fc/(fs/2), 'high'); round(N(2)*2^31);

**8.5.96 HPFC\_CFG9 (page=0x02 address=0x38) [reset=7Fh]**

HPF Biquad coefficients

**Table 195. HPF Coefficient 9 Field Descriptions**

Bit	Field	Type	Reset	Description
7-0	HPF_COEFF_D1[31:24]	RW	7Fh	[N, D] = butter(1, fc/(fs/2), 'high'); round(-D(2)*2^31);

**8.5.97 HPFC\_CFG10 (page=0x02 address=0x39) [reset=7Fh]**

HPF Biquad coefficients

**Table 196. HPF Coefficient 10 Field Descriptions**

Bit	Field	Type	Reset	Description
7-0	HPF_COEFF_D1[23:16]	RW	7Fh	[N, D] = butter(1, fc/(fs/2), 'high'); round(-D(2)*2^31);

**8.5.98 HPFC\_CFG11 (page=0x02 address=0x3A) [reset=6Ch]**

HPF Biquad coefficients

**Table 197. HPF Coefficient 11 Field Descriptions**

Bit	Field	Type	Reset	Description
7-0	HPF_COEFF_D1[15:8]	RW	6Ch	[N, D] = butter(1, fc/(fs/2), 'high'); round(-D(2)*2^31);

**8.5.99 HPFC\_CFG12 (page=0x02 address=0x3B) [reset=28h]**

HPF Biquad coefficients

**Table 198. HPF Coefficient 12 Field Descriptions**

Bit	Field	Type	Reset	Description
7-0	HPF_COEFF_D1[7:0]	RW	28h	[N, D] = butter(1, fc/(fs/2), 'high'); round(-D(2)*2^31);

**8.5.100 TG\_CFG1 (page=0x02 address=0x3C) [reset=3Fh]**

Tone Generator 1 Freq Calc 1

**Table 199. Tone Generator 1 Freq Calc 1 Field Descriptions**

Bit	Field	Type	Reset	Description
7-0	TG1_FREQ1[31:24]	RW	3Fh	round((2*cos(2*pi*f_tone/fs))^2^29)

**8.5.101 TG\_CFG2 (page=0x02 address=0x3D) [reset=FFh]**

Tone Generator 1 Freq Calc 1

**Table 200. Tone Generator 1 Freq Calc 1 Field Descriptions**

Bit	Field	Type	Reset	Description
7-0	TG1_FREQ1[23:16]	RW	FFh	round((2*cos(2*pi*f_tone/fs))^2^29)

**8.5.102 TG\_CFG3 (page=0x02 address=0x3E) [reset=7Ah]**

Tone Generator 1 Freq Calc 1

**Table 201. Tone Generator 1 Freq Calc 1 Field Descriptions**

Bit	Field	Type	Reset	Description
7-0	TG1_FREQ1[15:8]	RW	7Ah	$\text{round}((2 \cdot \cos(2 \cdot \pi \cdot f_{\text{tone}}/f_s))^2 \cdot 29)$

**8.5.103 TG\_CFG4 (page=0x02 address=0x3F) [reset=E3h]**

Tone Generator 1 Freq Calc 1

**Table 202. Tone Generator 1 Freq Calc 1 Field Descriptions**

Bit	Field	Type	Reset	Description
7-0	TG1_FREQ1[7:0]	RW	E3h	$\text{round}((2 \cdot \cos(2 \cdot \pi \cdot f_{\text{tone}}/f_s))^2 \cdot 29)$

**8.5.104 TG\_CFG5 (page=0x02 address=0x40) [reset=1h]**

Tone Generator 1 Freq Calc 2

**Table 203. Tone Generator 1 Freq Calc 2 Field Descriptions**

Bit	Field	Type	Reset	Description
7-0	TG1_FREQ2[31:24]	RW	1h	$\text{round}((\sin(2 \cdot \pi \cdot f_{\text{tone}}/f_s))^2 \cdot 31)$

**8.5.105 TG\_CFG6 (page=0x02 address=0x41) [reset=1h]**

Tone Generator 1 Freq Calc 2

**Table 204. Tone Generator 1 Freq Calc 2 Field Descriptions**

Bit	Field	Type	Reset	Description
7-0	TG1_FREQ2[23:16]	RW	1h	$\text{round}((\sin(2 \cdot \pi \cdot f_{\text{tone}}/f_s))^2 \cdot 31)$

**8.5.106 TG\_CFG7 (page=0x02 address=0x42) [reset=5Bh]**

Tone Generator 1 Freq Calc 2

**Table 205. Tone Generator 1 Freq Calc 2 Field Descriptions**

Bit	Field	Type	Reset	Description
7-0	TG1_FREQ2[15:8]	RW	5Bh	$\text{round}((\sin(2 \cdot \pi \cdot f_{\text{tone}}/f_s))^2 \cdot 31)$

**8.5.107 TG\_CFG8 (page=0x02 address=0x43) [reset=4Ch]**

Tone Generator 1 Freq Calc 2

**Table 206. Tone Generator 1 Freq Calc 2 Field Descriptions**

Bit	Field	Type	Reset	Description
7-0	TG1_FREQ2[7:0]	RW	4Ch	$\text{round}((\sin(2 \cdot \pi \cdot f_{\text{tone}}/f_s))^2 \cdot 31)$

**8.5.108 TG\_CFG9 (page=0x02 address=0x44) [reset=0h]**

Tone Generator 1 Freq Calc 3

**Table 207. Tone Generator 1 Freq Calc 3 Field Descriptions**

Bit	Field	Type	Reset	Description
7-0	TG1_FREQ3[31:24]	RW	0h	$(\text{LCM}(f_s, f_{\text{tone}})/f_{\text{tone}}) - 1$

**8.5.109 TG\_CFG10 (page=0x02 address=0x45) [reset=0h]**

Tone Generator 1 Freq Calc 3

**Table 208. Tone Generator 1 Freq Calc 3 Field Descriptions**

Bit	Field	Type	Reset	Description
7-0	TG1_FREQ3[23:16]	RW	0h	$(LCM(fs, f_{tone})/f_{tone}) - 1$

**8.5.110 TG\_CFG11 (page=0x02 address=0x46) [reset=3h]**

Tone Generator 1 Freq Calc 3

**Table 209. Tone Generator 1 Freq Calc 3 Field Descriptions**

Bit	Field	Type	Reset	Description
7-0	TG1_FREQ3[15:8]	RW	3h	$(LCM(fs, f_{tone})/f_{tone}) - 1$

**8.5.111 TG\_CFG12 (page=0x02 address=0x47) [reset=1Fh]**

Tone Generator 1 Freq Calc 3

**Table 210. Tone Generator 1 Freq Calc 3 Field Descriptions**

Bit	Field	Type	Reset	Description
7-0	TG1_FREQ3[7:0]	RW	1Fh	$(LCM(fs, f_{tone})/f_{tone}) - 1$

**8.5.112 TG\_CFG13 (page=0x02 address=0x48) [reset=2h]**

Tone Generator 1 Amplitude Calc

**Table 211. Tone Generator 1 Amplitude Calc Field Descriptions**

Bit	Field	Type	Reset	Description
7-0	TG1_AMP[31:24]	RW	2h	$\text{round}(10^{(\text{tone amplitude dB}/20)} * 2^{31})$

**8.5.113 TG\_CFG14 (page=0x02 address=0x49) [reset=46h]**

Tone Generator 1 Amplitude Calc

**Table 212. Tone Generator 1 Amplitude Calc Field Descriptions**

Bit	Field	Type	Reset	Description
7-0	TG1_AMP[23:16]	RW	46h	$\text{round}(10^{(\text{tone amplitude dB}/20)} * 2^{31})$

**8.5.114 TG\_CFG15 (page=0x02 address=0x4A) [reset=B4h]**

Tone Generator 1 Amplitude Calc

**Table 213. Tone Generator 1 Amplitude Calc Field Descriptions**

Bit	Field	Type	Reset	Description
7-0	TG1_AMP[15:8]	RW	B4h	$\text{round}(10^{(\text{tone amplitude dB}/20)} * 2^{31})$

**8.5.115 TG\_CFG16 (page=0x02 address=0x4B) [reset=E4h]**

Tone Generator 1 Amplitude Calc

**Table 214. Tone Generator 1 Amplitude Calc Field Descriptions**

Bit	Field	Type	Reset	Description
7-0	TG1_AMP[7:0]	RW	E4h	$\text{round}(10^{(\text{tone amplitude dB}/20)} * 2^{31})$

**8.5.116 TG\_CFG17 (page=0x02 address=0x4C) [reset=E0h]**

Tone Generator 2 Freq Calc 1

**Table 215. Tone Generator 2 Freq Calc 1 Field Descriptions**

Bit	Field	Type	Reset	Description
7-0	TG2_FREQ1[31:24]	RW	E0h	$\text{round}((2 \cdot \cos(2 \cdot \pi \cdot f_{\text{tone}}/f_s))^2 \cdot 2^9)$

**8.5.117 TG\_CFG18 (page=0x02 address=0x4D) [reset=0h]**

Tone Generator 2 Freq Calc 1

**Table 216. Tone Generator 2 Freq Calc 1 Field Descriptions**

Bit	Field	Type	Reset	Description
7-0	TG2_FREQ1[23:16]	RW	0h	$\text{round}((2 \cdot \cos(2 \cdot \pi \cdot f_{\text{tone}}/f_s))^2 \cdot 2^9)$

**8.5.118 TG\_CFG19 (page=0x02 address=0x4E) [reset=0h]**

Tone Generator 2 Freq Calc 1

**Table 217. Tone Generator 2 Freq Calc 1 Field Descriptions**

Bit	Field	Type	Reset	Description
7-0	TG2_FREQ1[15:8]	RW	0h	$\text{round}((2 \cdot \cos(2 \cdot \pi \cdot f_{\text{tone}}/f_s))^2 \cdot 2^9)$

**8.5.119 TG\_CFG20 (page=0x02 address=0x4F) [reset=0h]**

Tone Generator 2 Freq Calc 1

**Table 218. Tone Generator 2 Freq Calc 1 Field Descriptions**

Bit	Field	Type	Reset	Description
7-0	TG2_FREQ1[7:0]	RW	0h	$\text{round}((2 \cdot \cos(2 \cdot \pi \cdot f_{\text{tone}}/f_s))^2 \cdot 2^9)$

**8.5.120 TG\_CFG21 (page=0x02 address=0x50) [reset=6Eh]**

Tone Generator 2 Freq Calc 2

**Table 219. Tone Generator 2 Freq Calc 2 Field Descriptions**

Bit	Field	Type	Reset	Description
7-0	TG2_FREQ2[31:24]	RW	6Eh	$\text{round}((\sin(2 \cdot \pi \cdot f_{\text{tone}}/f_s))^2 \cdot 2^{31})$

**8.5.121 TG\_CFG22 (page=0x02 address=0x51) [reset=D9h]**

Tone Generator 2 Freq Calc 2

**Table 220. Tone Generator 2 Freq Calc 2 Field Descriptions**

Bit	Field	Type	Reset	Description
7-0	TG2_FREQ2[23:16]	RW	D9h	$\text{round}((\sin(2 \cdot \pi \cdot f_{\text{tone}}/f_s))^2 \cdot 2^{31})$

**8.5.122 TG\_CFG23 (page=0x02 address=0x52) [reset=EBh]**

Tone Generator 2 Freq Calc 2

**Table 221. Tone Generator 2 Freq Calc 2 Field Descriptions**

Bit	Field	Type	Reset	Description
7-0	TG2_FREQ2[15:8]	RW	EBh	$\text{round}((\sin(2 \cdot \pi \cdot f_{\text{tone}}/f_s))^2 \cdot 2^{31})$



**8.5.123 TG\_CFG24 (page=0x02 address=0x53) [reset=A1h]**

Tone Generator 2 Freq Calc 2

**Table 222. Tone Generator 2 Freq Calc 2 Field Descriptions**

Bit	Field	Type	Reset	Description
7-0	TG2_FREQ2[7:0]	RW	A1h	$\text{round}((\sin(2\pi f_{\text{tone}}/f_s))^2 \cdot 31)$

**8.5.124 TG\_CFG25 (page=0x02 address=0x54) [reset=0h]**

Tone Generator 2 Freq Calc 3

**Table 223. Tone Generator 2 Freq Calc 3 Field Descriptions**

Bit	Field	Type	Reset	Description
7-0	TG2_FREQ3[31:24]	RW	0h	$(\text{LCM}(2 \cdot f_s, f_{\text{tone}}) / f_{\text{tone}}) - 2$

**8.5.125 TG\_CFG26 (page=0x02 address=0x55) [reset=0h]**

Tone Generator 2 Freq Calc 3

**Table 224. Tone Generator 2 Freq Calc 3 Field Descriptions**

Bit	Field	Type	Reset	Description
7-0	TG2_FREQ3[23:16]	RW	0h	$(\text{LCM}(2 \cdot f_s, f_{\text{tone}}) / f_{\text{tone}}) - 2$

**8.5.126 TG\_CFG27 (page=0x02 address=0x56) [reset=0h]**

Tone Generator 2 Freq Calc 3

**Table 225. Tone Generator 2 Freq Calc 3 Field Descriptions**

Bit	Field	Type	Reset	Description
7-0	TG2_FREQ3[15:8]	RW	0h	$(\text{LCM}(2 \cdot f_s, f_{\text{tone}}) / f_{\text{tone}}) - 2$

**8.5.127 TG\_CFG28 (page=0x02 address=0x57) [reset=2Ch]**

Tone Generator 2 Freq Calc 3

**Table 226. Tone Generator 2 Freq Calc 3 Field Descriptions**

Bit	Field	Type	Reset	Description
7-0	TG2_FREQ3[7:0]	RW	2Ch	$(\text{LCM}(2 \cdot f_s, f_{\text{tone}}) / f_{\text{tone}}) - 2$

**8.5.128 TG\_CFG29 (page=0x02 address=0x58) [reset=8h]**

Tone Generator 2 Amplitude Calc

**Table 227. Tone Generator 2 Amplitude Calc Field Descriptions**

Bit	Field	Type	Reset	Description
7-0	TG2_AMP[31:24]	RW	8h	$\text{round}(10^{(\text{tone amplitude dB}/20)} \cdot 2^{31})$

**8.5.129 TG\_CFG30 (page=0x02 address=0x59) [reset=9h]**

Tone Generator 2 Amplitude Calc

**Table 228. Tone Generator 2 Amplitude Calc Field Descriptions**

Bit	Field	Type	Reset	Description
7-0	TG2_AMP[23:16]	RW	9h	$\text{round}(10^{(\text{tone amplitude dB}/20)} \cdot 2^{31})$

**8.5.130 TG\_CFG31 (page=0x02 address=0x5A) [reset=BCh]**

Tone Generator 2 Amplitude Calc

**Table 229. Tone Generator 2 Amplitude Calc Field Descriptions**

Bit	Field	Type	Reset	Description
7-0	TG2_AMP[15:8]	RW	BCh	$\text{round}(10^{(\text{tone amplitude dB}/20)} \cdot 2^{31})$

**8.5.131 TG\_CFG32 (page=0x02 address=0x5B) [reset=C4h]**

Tone Generator 2 Amplitude Calc

**Table 230. Tone Generator 2 Amplitude Calc Field Descriptions**

Bit	Field	Type	Reset	Description
7-0	TG2_AMP[7:0]	RW	C4h	$\text{round}(10^{(\text{tone amplitude dB}/20)} \cdot 2^{31})$

**8.5.132 LD\_CFG0 (page=0x02 address=0x5C) [reset=64h]**

Load Diagnostics Resistance Upper Threshold

**Table 231. Load Diagnostics Resistance Upper Threshold Field Descriptions**

Bit	Field	Type	Reset	Description
7-0	LDG_RES_UT[31:24]	RW	64h	$\text{round}(\text{ohm}/7 \cdot 2^{22})$

**8.5.133 LD\_CFG1 (page=0x02 address=0x5D) [reset=0h]**

Load Diagnostics Resistance Upper Threshold

**Table 232. Load Diagnostics Resistance Upper Threshold Field Descriptions**

Bit	Field	Type	Reset	Description
7-0	LDG_RES_UT[23:16]	RW	0h	$\text{round}(\text{ohm}/7 \cdot 2^{22})$

**8.5.134 LD\_CFG2 (page=0x02 address=0x5E) [reset=0h]**

Load Diagnostics Resistance Upper Threshold

**Table 233. Load Diagnostics Resistance Upper Threshold Field Descriptions**

Bit	Field	Type	Reset	Description
7-0	LDG_RES_UT[15:8]	RW	0h	$\text{round}(\text{ohm}/7 \cdot 2^{22})$

**8.5.135 LD\_CFG3 (page=0x02 address=0x5F) [reset=0h]**

Load Diagnostics Resistance Upper Threshold

**Table 234. Load Diagnostics Resistance Upper Threshold Field Descriptions**

Bit	Field	Type	Reset	Description
7-0	LDG_RES_UT[7:0]	RW	0h	$\text{round}(\text{ohm}/7 \cdot 2^{22})$

**8.5.136 LD\_CFG4 (page=0x02 address=0x60) [reset=0h]**

Load Diagnostics Resistance Lower Threshold

**Table 235. Load Diagnostics Resistance Lower Threshold Field Descriptions**

Bit	Field	Type	Reset	Description
7-0	LDG_RES_LT[31:24]	RW	0h	$\text{round}(\text{ohm}/7 \cdot 2^{22})$

**8.5.137 LD\_CFG5 (page=0x02 address=0x61) [reset=80h]**

Load Diagnostics Resistance Lower Threshold

**Table 236. Load Diagnostics Resistance Lower Threshold Field Descriptions**

Bit	Field	Type	Reset	Description
7-0	LDG_RES_LT[23:16]	RW	80h	round(ohm/7*2 <sup>22</sup> )

**8.5.138 LD\_CFG6 (page=0x02 address=0x62) [reset=0h]**

Load Diagnostics Resistance Lower Threshold

**Table 237. Load Diagnostics Resistance Lower Threshold Field Descriptions**

Bit	Field	Type	Reset	Description
7-0	LDG_RES_LT[15:8]	RW	0h	round(ohm/7*2 <sup>22</sup> )

**8.5.139 LD\_CFG7 (page=0x02 address=0x63) [reset=0h]**

Load Diagnostics Resistance Lower Threshold

**Table 238. Load Diagnostics Resistance Lower Threshold Field Descriptions**

Bit	Field	Type	Reset	Description
7-0	LDG_RES_LT[7:0]	RW	0h	round(ohm/7*2 <sup>22</sup> )

**8.5.140 IDC\_CFG0 (page=0x02 address=0x64) [reset=0h]**

Idle channel detection threshold

**Table 239. Idle channel detection threshold Field Descriptions**

Bit	Field	Type	Reset	Description
7-0	IDC_DTH[31:24]	RW	0h	round(10 <sup>^(idle channel threshold dB/20)</sup> *2 <sup>31</sup> )

**8.5.141 IDC\_CFG1 (page=0x02 address=0x65) [reset=20h]**

Idle channel detection threshold

**Table 240. Idle channel detection threshold Field Descriptions**

Bit	Field	Type	Reset	Description
7-0	IDC_DTH[23:16]	RW	20h	round(10 <sup>^(idle channel threshold dB/20)</sup> *2 <sup>31</sup> )

**8.5.142 IDC\_CFG2 (page=0x02 address=0x66) [reset=C4h]**

Idle channel detection threshold

**Table 241. Idle channel detection threshold Field Descriptions**

Bit	Field	Type	Reset	Description
7-0	IDC_DTH[15:8]	RW	C4h	round(10 <sup>^(idle channel threshold dB/20)</sup> *2 <sup>31</sup> )

**8.5.143 IDC\_CFG3 (page=0x02 address=0x67) [reset=9Ch]**

Idle channel detection threshold

**Table 242. Idle channel detection threshold Field Descriptions**

Bit	Field	Type	Reset	Description
7-0	IDC_DTH[7:0]	RW	9Ch	round(10 <sup>^(idle channel threshold dB/20)</sup> *2 <sup>31</sup> )

**8.5.144 IDC\_CFG7 (page=0x02 address=0x6C) [reset=0h]**

Hysteresis for idle channel detection

**Table 243. Hysteresis for idle channel detection Field Descriptions**

Bit	Field	Type	Reset	Description
7-0	IDC_HYST[31:24]	RW	0h	round(time in seconds*fs)

**8.5.145 IDC\_CFG8 (page=0x02 address=0x6D) [reset=0h]**

Hysteresis for idle channel detection

**Table 244. Hysteresis for idle channel detection Field Descriptions**

Bit	Field	Type	Reset	Description
7-0	IDC_HYST[23:16]	RW	0h	round(time in seconds*fs)

**8.5.146 IDC\_CFG9 (page=0x02 address=0x6E) [reset=12h]**

Hysteresis for idle channel detection

**Table 245. Hysteresis for idle channel detection Field Descriptions**

Bit	Field	Type	Reset	Description
7-0	IDC_HYST[15:8]	RW	12h	round(time in seconds*fs)

**8.5.147 IDC\_CFG10 (page=0x02 address=0x6F) [reset=C0h]**

Hysteresis for idle channel detection

**Table 246. Hysteresis for idle channel detection Field Descriptions**

Bit	Field	Type	Reset	Description
7-0	IDC_HYST[7:0]	RW	C0h	round(time in seconds*fs)

**8.5.148 TF\_CFG\_1 (page=0x02 address=0x7C) [reset=72h]**

Thermal foldback limiter slope (in db/C)

**Table 247. Thermal foldback limiter slope (in db/C) Field Descriptions**

Bit	Field	Type	Reset	Description
7-0	TF_LIMS[31:24]	RW	72h	round( $10^{-(\text{slope}/20)} * 2^{31}$ )

**8.5.149 TF\_CFG\_2 (page=0x02 address=0x7D) [reset=14h]**

Thermal foldback limiter slope (in db/C)

**Table 248. Thermal foldback limiter slope (in db/C) Field Descriptions**

Bit	Field	Type	Reset	Description
7-0	TF_LIMS[23:16]	RW	14h	round( $10^{-(\text{slope}/20)} * 2^{31}$ )

**8.5.150 TF\_CFG\_3 (page=0x02 address=0x7E) [reset=82h]**

Thermal foldback limiter slope (in db/C)

**Table 249. Thermal foldback limiter slope (in db/C) Field Descriptions**

Bit	Field	Type	Reset	Description
7-0	TF_LIMS[15:8]	RW	82h	round( $10^{-(\text{slope}/20)} * 2^{31}$ )

**8.5.151 TF\_CFG\_4 (page=0x02 address=0x7F) [reset=C0h]**

Thermal foldback limiter slope (in db/C)

**Table 250. Thermal foldback limiter slope (in db/C) Field Descriptions**

Bit	Field	Type	Reset	Description
7-0	TF_LIMS[7:0]	RW	C0h	$\text{round}(10^{-(\text{slope}/20)} \cdot 2^{31})$

**8.5.152 PAGE4 (page=0x04 address=0x00) [reset=0h]**

The device's memory map is divided into pages and books. This register sets the page.

**Table 251. Device Page Field Descriptions**

Bit	Field	Type	Reset	Description
7-0	PAGE[7:0]	RW	0h	Sets the device page. 00h = Page 0 01h = Page 1 ... FFh = Page 255

**8.5.153 LD\_CFG8 (page=0x04 address=0x18) [reset=0h]**

Load Resistance Value after load diagnostics is completed

**Table 252. Load Resistance Value after load diagnostics is completed Field Descriptions**

Bit	Field	Type	Reset	Description
7-0	LD_RES_VAL1[31:24]	RW	0h	$7^{((\text{LD\_RES\_VAL1})/2^{22})}$ ohms

**8.5.154 LD\_CFG9 (page=0x04 address=0x19) [reset=0h]**

Load Resistance Value after load diagnostics is completed

**Table 253. Load Resistance Value after load diagnostics is completed Field Descriptions**

Bit	Field	Type	Reset	Description
7-0	LD_RES_VAL1[23:16]	RW	0h	$7^{((\text{LD\_RES\_VAL1})/2^{22})}$ ohms

**8.5.155 LD\_CFG10 (page=0x04 address=0x1A) [reset=0h]**

Load Resistance Value after load diagnostics is completed

**Table 254. Load Resistance Value after load diagnostics is completed Field Descriptions**

Bit	Field	Type	Reset	Description
7-0	LD_RES_VAL1[15:8]	RW	0h	$7^{((\text{LD\_RES\_VAL1})/2^{22})}$ ohms

**8.5.156 LD\_CFG11 (page=0x04 address=0x1B) [reset=0h]**

Load Resistance Value after load diagnostics is completed

**Table 255. Load Resistance Value after load diagnostics is completed Field Descriptions**

Bit	Field	Type	Reset	Description
7-0	LD_RES_VAL1[7:0]	RW	0h	$7^{((\text{LD\_RES\_VAL1})/2^{22})}$ ohms

**8.5.157 TF\_CFG4 (page=0x04 address=0x58) [reset=0h]**

Thermal foldback hold count (samples)

**Table 256. Thermal foldback hold count (samples) Field Descriptions**

Bit	Field	Type	Reset	Description
7-0	TF_HOLD_CNT[31:24]	RW	0h	round(seconds * 1000)

**8.5.158 TF\_CFG5 (page=0x04 address=0x59) [reset=0h]**

Thermal foldback hold count (samples)

**Table 257. Thermal foldback hold count (samples) Field Descriptions**

Bit	Field	Type	Reset	Description
7-0	TF_HOLD_CNT[23:16]	RW	0h	round(seconds * 1000)

**8.5.159 TF\_CFG6 (page=0x04 address=0x5A) [reset=0h]**

Thermal foldback hold count (samples)

**Table 258. Thermal foldback hold count (samples) Field Descriptions**

Bit	Field	Type	Reset	Description
7-0	TF_HOLD_CNT[15:8]	RW	0h	round(seconds * 1000)

**8.5.160 TF\_CFG7 (page=0x04 address=0x5B) [reset=64h]**

Thermal foldback hold count (samples)

**Table 259. Thermal foldback hold count (samples) Field Descriptions**

Bit	Field	Type	Reset	Description
7-0	TF_HOLD_CNT[7:0]	RW	64h	round(seconds * 1000)

**8.5.161 TF\_CFG8 (page=0x04 address=0x5C) [reset=40h]**

Thermal foldback limiter release rate (db/samples)

**Table 260. Thermal foldback limiter release rate (db/samples) Field Descriptions**

Bit	Field	Type	Reset	Description
7-0	TF_REL_RATE[31:24]	RW	40h	round( $10^{(dB \text{ per sample}/20)*2^30}$ )

**8.5.162 TF\_CFG9 (page=0x04 address=0x5D) [reset=BDh]**

Thermal foldback limiter release rate (db/samples)

**Table 261. Thermal foldback limiter release rate (db/samples) Field Descriptions**

Bit	Field	Type	Reset	Description
7-0	TF_REL_RATE[23:16]	RW	BDh	round( $10^{(dB \text{ per sample}/20)*2^30}$ )

**8.5.163 TF\_CFG10 (page=0x04 address=0x5E) [reset=B7h]**

Thermal foldback limiter release rate (db/samples)

**Table 262. Thermal foldback limiter release rate (db/samples) Field Descriptions**

Bit	Field	Type	Reset	Description
7-0	TF_REL_RATE[15:8]	RW	B7h	round( $10^{(dB \text{ per sample}/20)*2^30}$ )

**8.5.164 TF\_CFG11 (page=0x04 address=0x5F) [reset=B0h]**

Thermal foldback limiter release rate (db/samples)

**Table 263. Thermal foldback limiter release rate (db/samples) Field Descriptions**

Bit	Field	Type	Reset	Description
7-0	TF_REL_RATE[7:0]	RW	B0h	$\text{round}(10^{(\text{dB per sample}/20)} \cdot 2^{30})$

**8.5.165 TF\_CFG12 (page=0x04 address=0x60) [reset=39h]**

Thermal foldback limiter temperature threshold

**Table 264. Thermal foldback limiter temperature threshold Field Descriptions**

Bit	Field	Type	Reset	Description
7-0	TF_TEMP_TH[31:24]	RW	39h	$\text{round}(\text{temperature in degree C} \cdot 2^{23})$

**8.5.166 TF\_CFG13 (page=0x04 address=0x61) [reset=82h]**

Thermal foldback limiter temperature threshold

**Table 265. Thermal foldback limiter temperature threshold Field Descriptions**

Bit	Field	Type	Reset	Description
7-0	TF_TEMP_TH[23:16]	RW	82h	$\text{round}(\text{temperature in degree C} \cdot 2^{23})$

**8.5.167 TF\_CFG14 (page=0x04 address=0x62) [reset=60h]**

Thermal foldback limiter temperature threshold

**Table 266. Thermal foldback limiter temperature threshold Field Descriptions**

Bit	Field	Type	Reset	Description
7-0	TF_TEMP_TH[15:8]	RW	60h	$\text{round}(\text{temperature in degree C} \cdot 2^{23})$

**8.5.168 TF\_CFG16 (page=0x04 address=0x63) [reset=7Fh]**

Thermal foldback limiter temperature threshold

**Table 267. Thermal foldback limiter temperature threshold Field Descriptions**

Bit	Field	Type	Reset	Description
7-0	TF_TEMP_TH[7:0]	RW	7Fh	$\text{round}(\text{temperature in degree C} \cdot 2^{23})$

**8.5.169 TF\_CFG17 (page=0x04 address=0x64) [reset=2Dh]**

Thermal foldback max gain reduction (dB)

**Table 268. Thermal foldback max gain reduction (dB) Field Descriptions**

Bit	Field	Type	Reset	Description
7-0	TF_MAX_ATTEN[31:24]	RW	2Dh	$\text{round}(10^{(\text{max attn dB}/20)} \cdot 2^{31})$

**8.5.170 TF\_CFG18 (page=0x04 address=0x65) [reset=6Ah]**

Thermal foldback max gain reduction (dB)

**Table 269. Thermal foldback max gain reduction (dB) Field Descriptions**

Bit	Field	Type	Reset	Description
7-0	TF_MAX_ATTEN[23:16]	RW	6Ah	$\text{round}(10^{(\text{max attn dB}/20)} \cdot 2^{31})$

**8.5.171 TF\_CFG19 (page=0x04 address=0x66) [reset=86h]**

Thermal foldback max gain reduction (dB)

**Table 270. Thermal foldback max gain reduction (dB) Field Descriptions**

Bit	Field	Type	Reset	Description
7-0	TF_MAX_ATTEN[15:8]	RW	86h	$\text{round}(10^{(\text{max attn dB}/20)} \cdot 2^{31})$

**8.5.172 TF\_CFG20 (page=0x04 address=0x67) [reset=6Fh]**

Thermal foldback max gain reduction (dB)

**Table 271. Thermal foldback max gain reduction (dB) Field Descriptions**

Bit	Field	Type	Reset	Description
7-0	TF_MAX_ATTEN[7:0]	RW	6Fh	$\text{round}(10^{(\text{max attn dB}/20)} \cdot 2^{31})$



## 9 Application and Implementation

### NOTE

Information in the following applications sections is not part of the TI component specification, and TI does not warrant its accuracy or completeness. TI's customers are responsible for determining suitability of components for their purposes. Customers should validate and test their design implementation to confirm system functionality.

### 9.1 Application Information

The TAS2110 is a digital input high efficiency Class-D audio power amplifier with advanced battery current management and an integrated Class-H boost converter. In auto passthrough mode, the Class-H boost converter generates the Class-D amplifier supply rail. During low Class-D output power, the boost improves efficiency by deactivating and connecting VBAT directly to the Class-D amplifier supply. When high power audio is required, the boost quickly activates to provide louder audio than a stand-alone amplifier connected directly to the battery. It is recommended to configure the TAS2110 using [PurePath™ Console 3 Software](#).

### 9.2 Typical Application

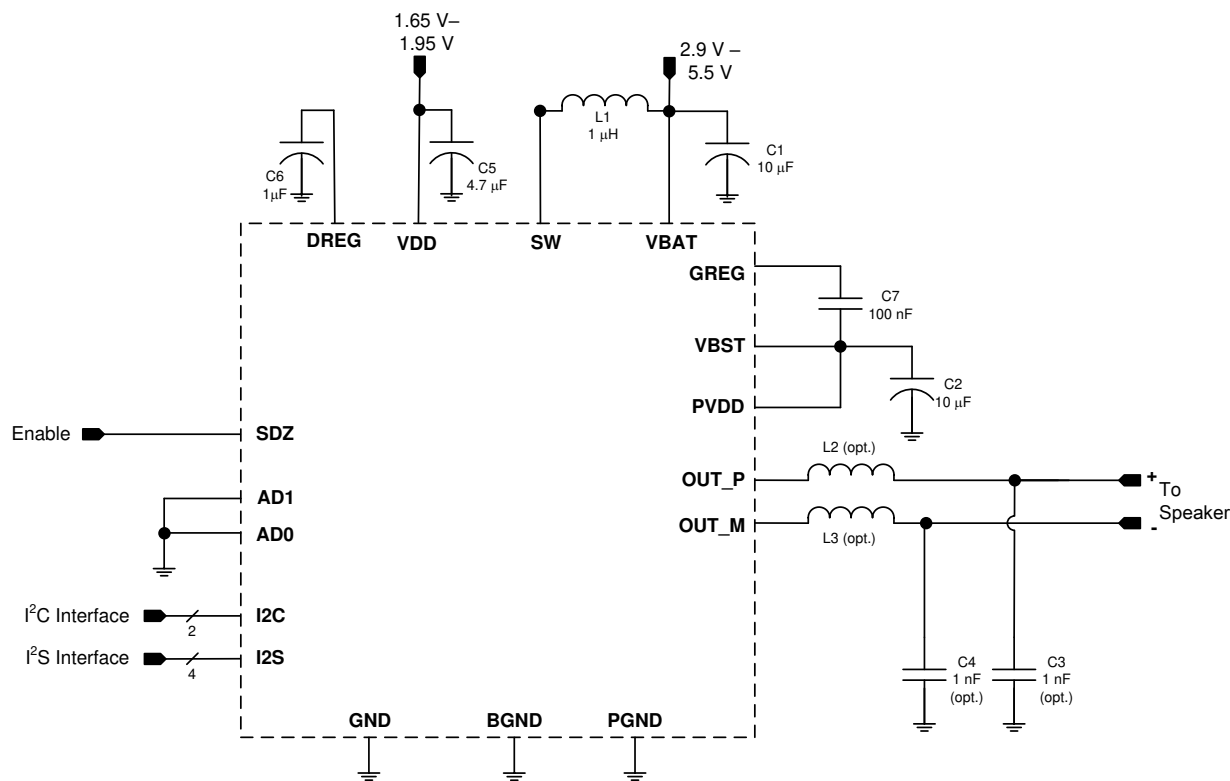


Figure 50. Typical Application - Digital Audio Input

Table 272. Recommended External Components

COMPONENT	DESCRIPTION	SPECIFICATION	MIN	TYP	MAX	UNIT
L1	Boost Converter Inductor <sup>(1)</sup>	Inductance, 20% Tolerance	0.47	1		µH
		Saturation Current		4.5		A

(1) See section [Boost Converter Passive Devices](#) for additional requirements on derating, stability, and inductor value trade-offs.

## Typical Application (continued)

**Table 272. Recommended External Components (continued)**

COMPONENT	DESCRIPTION	SPECIFICATION	MIN	TYP	MAX	UNIT
R2,R3	EMI Filter Inductors (optional). These are not recommended as it degrades THD+N performance. TAS2110 is a filter-less Class-D and does not require these bead inductors.	Impedance at 100 MHz		120		$\Omega$
		DC Resistance			0.095	$\Omega$
		DC Current			2	A
		Size		0402		EIA
C1,C2,C3,C4	Boost Converter Input Capacitor <sup>(1)</sup>	Capacitance, 20% Tolerance	10			$\mu\text{F}$
C6,C7,C9,C15,C16	Boost Converter Output Capacitor	Type	X5R			
		Capacitance, 20% Tolerance	10		47	$\mu\text{F}$
		Rated Voltage	16			V
		Capacitance at 11.5 V derating	3.3			$\mu\text{F}$
C13,C14	EMI Filter Capacitors (optional, must use R2, R3 if C13, C14 used)	Capacitance		1		nF
C5,C8	VDD Decoupling Capacitor	Capacitance	4.7			$\mu\text{F}$
C11,C12	DREG Decoupling Capacitor	Capacitance	1			$\mu\text{F}$
C10	GREG Fly Capacitor	Capacitance	100			nF

### 9.2.1 Design Requirements

For given design example, use the parameters shown in [Table 273](#)

**Table 273. Design Parameters**

DESIGN PARAMETER	EXAMPLE VALUE
Audio Input	Digital Audio, I <sup>2</sup> S
Mono or Stereo Configuration	Mono
Max Output Power at 1% THD+N	5.0 W

### 9.2.2 Detailed Design Procedure

#### 9.2.2.1 Mono/Stereo Configuration

In this application, the device is assumed to be operating in mono mode. See [Device Mode and Address Selection](#) for information on changing the I<sup>2</sup>C address of the TAS2110 to support stereo operation. Mono or stereo configuration does not impact the device performance.

#### 9.2.2.2 Boost Converter Passive Devices

The boost converter requires three passive devices that are labeled L1, C1 and C2 in [Figure 50](#) and whose specifications are provided in [Table 272](#). These specifications are based on the design of the TAS2110 and are necessary to meet the performance targets of the device. In particular, L1 should not be allowed to enter in the current saturation region. The saturation current for L1 should be  $> I_{LIM}$  to deliver Class-D peak power.

Additionally, the ratio of L1/C2 (the derated value of C2 at 11.5 V should be used in this ratio) has to be lesser than 1/3 for boost stability. This 1/3 ratio should be maintained including the worst case variation of L1 and C2. To satisfy sufficient energy transfer, L1 needs to be  $\geq 0.47 \mu\text{H}$  at the boost switching frequency (100 kHz to 4 MHz). Using a  $0.47 \mu\text{H}$  will have more boost ripple than a  $1.0 \mu\text{H}$  or  $2.2 \mu\text{H}$  but the high PSRR should minimize the effect from the additional ripple. Finally, the minimum C2 (derated value at programmed boost voltage) should be  $> 3.3 \mu\text{F}$  for Class-D power delivery specification.

#### 9.2.2.3 EMI Passive Devices

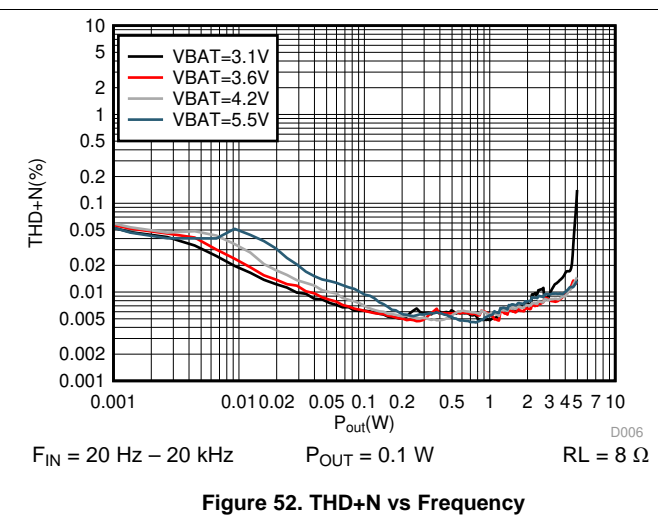
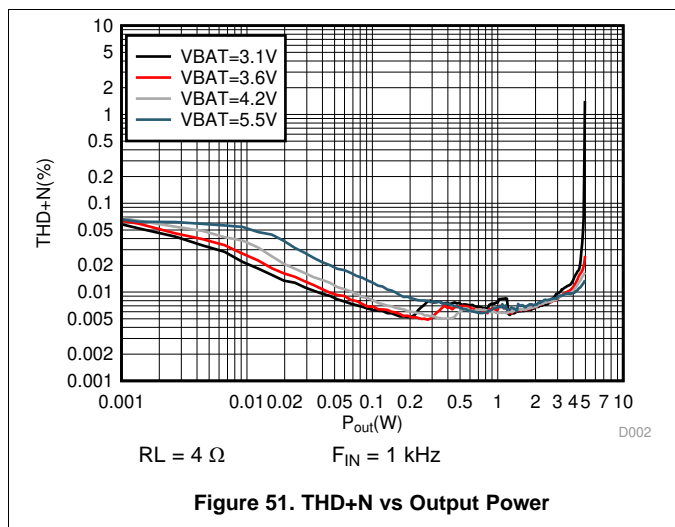
The system designer may want to include passive devices on the Class-D output. These passive devices that are labeled L2, L3, C3 and C4 in [Figure 50](#) and their recommended specifications are provided in [Table 272](#). If C3 and C4 are used, L2 and L3 must also be installed, and C3 and C4 must be placed after L2 and L3 respectively to maintain the stability of the output stage.

### 9.2.2.4 Miscellaneous Passive Devices

The GREG Capacitor requires 100 nF to meet boost and Class-D power delivery and efficiency specs. For best device performance, the GREG capacitor should be placed very close to the device, star connected to PVDD and be routed with wide traces to minimize the impact of PCB parasitic effects.

DREG Capacitor should be placed and Ground Loop closed next to device. DREG is internal supply(1.5V typical, functional min of 1.35V) generated from external VDD supply. For best performance, noise on VDD should be reduced by wide traces or higher caps on VDD next to device based on board routings.

### 9.2.3 Application Curves



## 10 Power Supply Recommendations

### 10.1 Power Supplies

The TAS2110 requires four power supplies:

- Boost Input (terminal: VBAT)
  - Voltage: 2.9 V to 5.5 V
  - Max Current: 5 A for ILIM = 4.0 A (default)
- Analog Supply (terminal: VDD)
  - Voltage: 1.65 V to 1.95 V
  - Max Current: 30 mA
- Internal Supplies
  - Digital Supply (terminal: DREG): 1.35 V to 1.65 V
  - Boost Output (terminal: VBST) : VBAT to 13V
  - Class-D Power Supply (terminal: PVDD): Short to VBST

The decoupling capacitors for the power supplies should be placed close to the device terminals.

### 10.2 Power Supply Sequencing

The power rail may be brought up and down in any order. There is no requirement on sequencing. However if VDD is present without VBAT an additional rise in VDD current will be observed until VBAT is present.

When the supplies have settled, the SDZ terminal can be set HIGH to operate the device. Additionally the SDZ pin can be tied to VDD and the internal POR will perform a reset of the device. After a hardware or software reset additional commands to the device should be delayed for 100  $\mu$ S to allow the OTP to load. The above sequence should be completed before any I<sup>2</sup>C operation.

In External PVDD Case, User need to ensure that PVDD does not drop below VBAT-0.7V.

#### 10.2.1 Boost Supply Details

The boost supply (VBAT) and associated passives need to be able to support the current requirements of the device. By default, the peak current limit of the boost is set to 4 A. Refer to [Table 86](#) for information on changing the current limit. A minimum of a 10  $\mu$ F capacitor is recommended on the boost supply to quickly support changes in required current. Refer to [Figure 50](#) for the schematic.

The current requirements can also be reduced by lowering the gain of the amplifier, or in response to decreasing battery through the use of the battery-tracking feature of the TAS2110 described in [Supply Tracking Limiters with Brown Out Prevention](#).

## 11 Layout

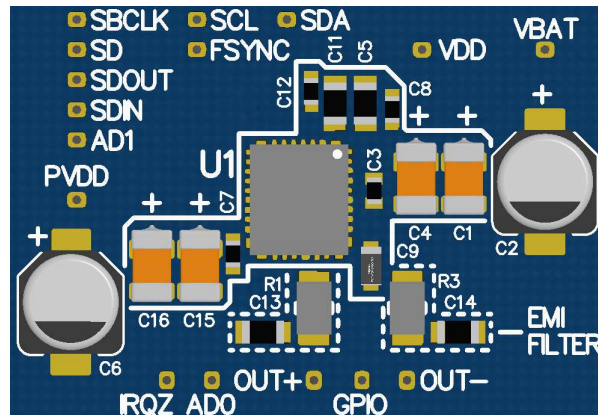
### 11.1 Layout Guidelines

- Place the boost inductor between VBAT and SW close to device terminals with no VIAS between the device terminals and the inductor.
- Place the capacitor between VBST and Ground close to device terminals with no VIAS between the device terminals and capacitor.
- Place the capacitor between VBAT and GND close to device terminals with no VIAS between the device terminals and capacitor.
- Minimize trace inductance between the GREG capacitor and TAS2564. This can be done by using multiple vias in parallel and by using wide routes where possible. This capacitor should have a star connection to PVDD.
- Do not use VIAS for traces that carry high current. These include the traces for VBST, SW, VBAT, PGND and the speaker OUT\_P, OUT\_M.
- SW, OUT\_P and OUT\_M are high switching nets and keep out should be kept from these signals to prevent corruption of digital signals.
- Use epoxy filled vias for the interior pads.
- EMI ferrites must be used if EMI capacitors are used on OUT\_P, OUT\_M.
- Use a ground plane with multiple vias for each terminal to create a low-impedance connection to GND for minimum ground noise.
- Use supply decoupling capacitors as shown in [Figure 50](#) and described in [Power Supplies](#).
- Place EMI ferrites, if used, close to the device.

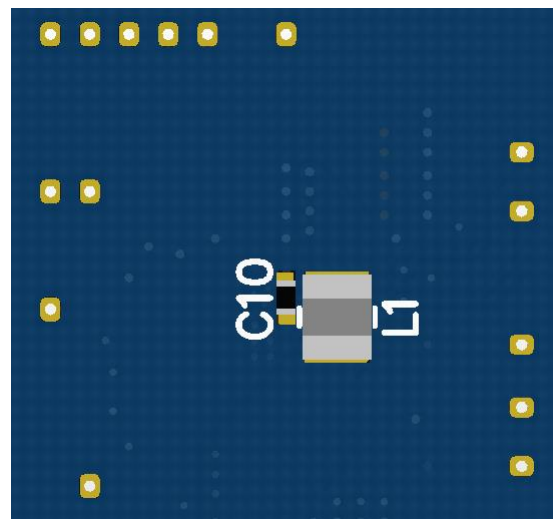
**Table 274. Pin Layout Guidelines**

PIN	MAX PARASITIC INDUCTANCE	LAYOUT RECOMMENDATIONS
BGND, GND, PGND, GNDD	150 pH	Short BGND, GND, GNDD, PGND below the package and connect them to PCB ground plane strongly through multiple vias. Minimize inductance as much as possible
DREG	500 pH	Bypass to GND with capacitor recommended in <a href="#">Table 272</a> . Do not connect to external load. Both ends of decoupling cap should see as low inductance as possible between this pin and gnd pins.
GREG	200 pH	Connect it to PVDD with a star connection and not to boost plane with recommended in <a href="#">Table 272</a> . Do not connect to external load.
PVDD	100 pH	Short it to VBST(boost) plane through strong connector. Connect it to GREG with a star connection and not to boost plane.
SW		Connect to VBAT with boost inductor recommended in <a href="#">Table 272</a> . Reduce parasitic capacitor and resistance for efficiency. Boost inductor should be as close as possible to the SW pin. Inductor should be connected to SW through thick plane. Traces should support currents up to device over-current limit.
VBAT	500 pH	Bypass to GND with capacitor recommended in <a href="#">Table 272</a> . Should be connected to inductor through thick plane. Both ends of decoupling capacitor should see as low inductance as possible between VBAT pin and PGND pin.
VBST	100 pH	Do not connect to external load. Bypass to GND with capacitor recommended in <a href="#">Table 272</a> . Connect to PVDD through thick plane. Both ends of decoupling capacitor should see as low inductance as possible between VBST pin and BGND pin. Traces should support currents up to device over-current limit.
VDD	200 pH	Bypass to GND with capacitor recommended in <a href="#">Table 272</a> . Both the end of decoupling cap should see as low inductance as possible between this pin and GND pin

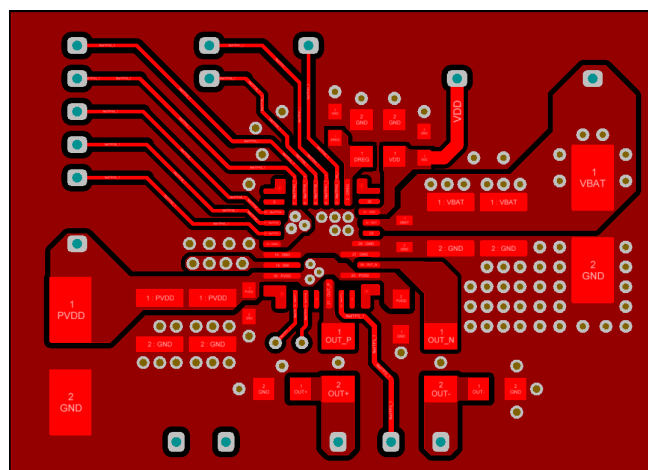
## 11.2 Layout Example



**Figure 53. Board Layout- Top**



**Figure 54. Board Layout- Bottom**



**Figure 55. Top Copper**

## Layout Example (continued)

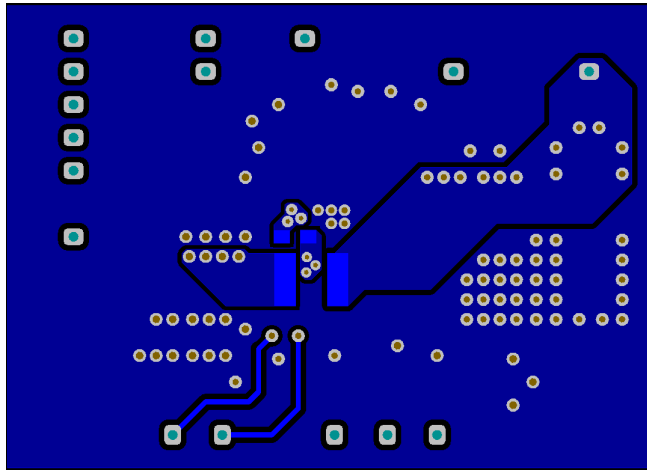


Figure 56. Bottom Copper

## 12 Device and Documentation Support

### 12.1 Documentation Support

#### 12.1.1 Related Documentation

For related documentation see the following: [TAS2563YBGEVM-DC Evaluation module user's guide](#)

### 12.2 Receiving Notification of Documentation Updates

To receive notification of documentation updates, navigate to the device product folder on ti.com. In the upper right corner, click on *Alert me* to register and receive a weekly digest of any product information that has changed. For change details, review the revision history included in any revised document.

### 12.3 Community Resources

TI E2E™ [support forums](#) are an engineer's go-to source for fast, verified answers and design help — straight from the experts. Search existing answers or ask your own question to get the quick design help you need.

Linked content is provided "AS IS" by the respective contributors. They do not constitute TI specifications and do not necessarily reflect TI's views; see TI's [Terms of Use](#).

### 12.4 Trademarks

E2E is a trademark of Texas Instruments.

### 12.5 Electrostatic Discharge Caution



These devices have limited built-in ESD protection. The leads should be shorted together or the device placed in conductive foam during storage or handling to prevent electrostatic damage to the MOS gates.

### 12.6 Glossary

[SLYZ022](#) — *TI Glossary*.

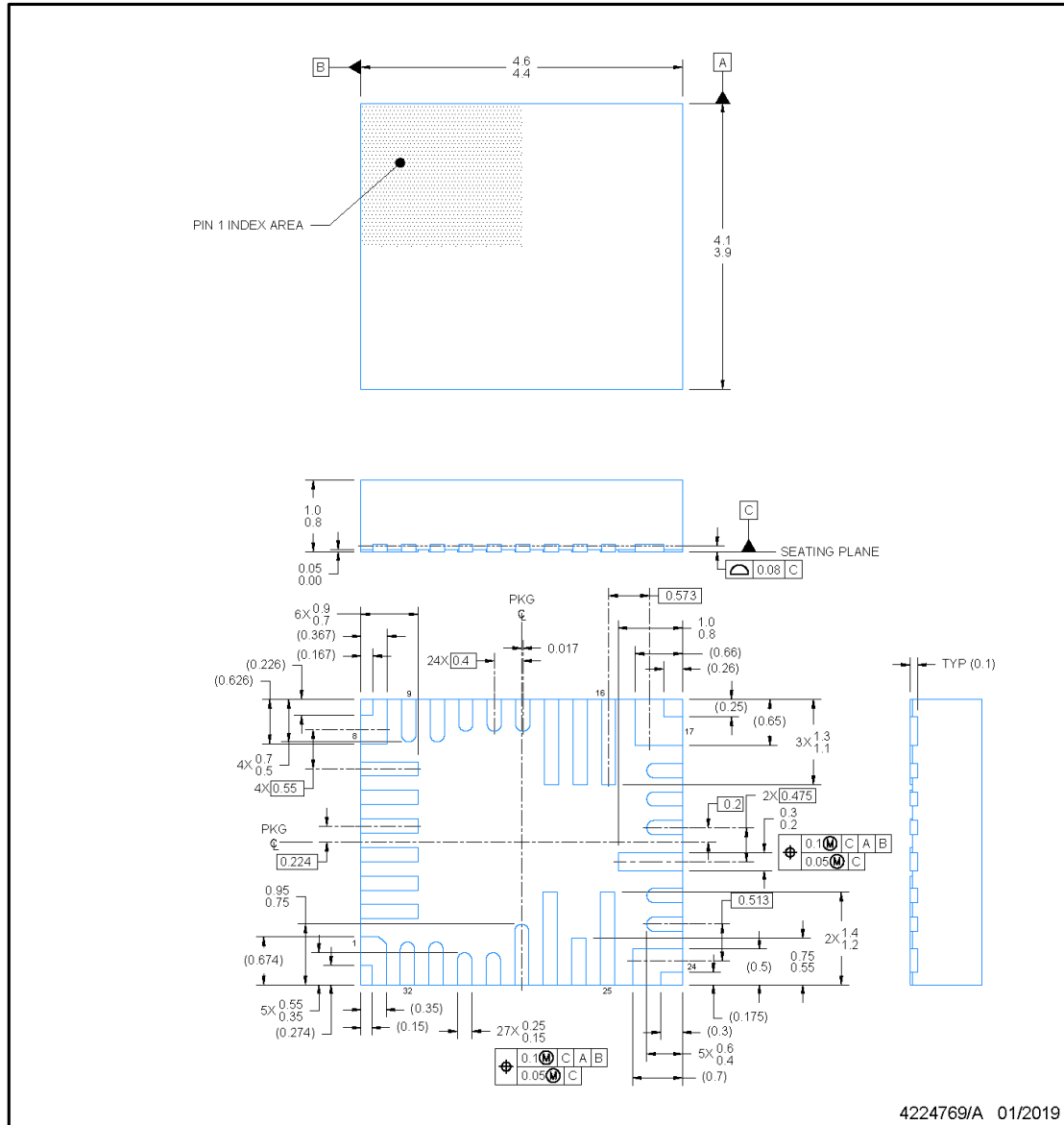
This glossary lists and explains terms, acronyms, and definitions.



### 13 Mechanical, Packaging, and Orderable Information

The following pages include mechanical, packaging, and orderable information. This information is the most current data available for the designated devices. This data is subject to change without notice and revision of this document. For browser-based versions of this data sheet, refer to the left-hand navigation.

**RPP0032A** **PACKAGE OUTLINE**  
**VQFN-HR - 1.0 mm max height**  
 PLASTIC QUAD FLAT PACK- NO LEAD



NOTES:

1. All linear dimensions are in millimeters. Any dimensions in parenthesis are for reference only. Dimensioning and tolerancing per ASME Y14.5M.
2. This drawing is subject to change without notice.

**PACKAGING INFORMATION**

Orderable Device	Status (1)	Package Type	Package Drawing	Pins	Package Qty	Eco Plan (2)	Lead finish/ Ball material (6)	MSL Peak Temp (3)	Op Temp (°C)	Device Marking (4/5)	Samples
TAS2110RPPR	ACTIVE	VQFN-HR	RPP	32	3000	RoHS & Green	SN	Level-2-260C-1 YEAR	-40 to 85	TAS2110	<a href="#">Samples</a>
TAS2110RPPT	ACTIVE	VQFN-HR	RPP	32	250	RoHS & Green	SN	Level-2-260C-1 YEAR	-40 to 85	TAS2110	<a href="#">Samples</a>

(1) The marketing status values are defined as follows:

**ACTIVE:** Product device recommended for new designs.

**LIFEBUY:** TI has announced that the device will be discontinued, and a lifetime-buy period is in effect.

**NRND:** Not recommended for new designs. Device is in production to support existing customers, but TI does not recommend using this part in a new design.

**PREVIEW:** Device has been announced but is not in production. Samples may or may not be available.

**OBSOLETE:** TI has discontinued the production of the device.

(2) **RoHS:** TI defines "RoHS" to mean semiconductor products that are compliant with the current EU RoHS requirements for all 10 RoHS substances, including the requirement that RoHS substance do not exceed 0.1% by weight in homogeneous materials. Where designed to be soldered at high temperatures, "RoHS" products are suitable for use in specified lead-free processes. TI may reference these types of products as "Pb-Free".

**RoHS Exempt:** TI defines "RoHS Exempt" to mean products that contain lead but are compliant with EU RoHS pursuant to a specific EU RoHS exemption.

**Green:** TI defines "Green" to mean the content of Chlorine (Cl) and Bromine (Br) based flame retardants meet JS709B low halogen requirements of <=1000ppm threshold. Antimony trioxide based flame retardants must also meet the <=1000ppm threshold requirement.

(3) MSL, Peak Temp. - The Moisture Sensitivity Level rating according to the JEDEC industry standard classifications, and peak solder temperature.

(4) There may be additional marking, which relates to the logo, the lot trace code information, or the environmental category on the device.

(5) Multiple Device Markings will be inside parentheses. Only one Device Marking contained in parentheses and separated by a "~" will appear on a device. If a line is indented then it is a continuation of the previous line and the two combined represent the entire Device Marking for that device.

(6) Lead finish/Ball material - Orderable Devices may have multiple material finish options. Finish options are separated by a vertical ruled line. Lead finish/Ball material values may wrap to two lines if the finish value exceeds the maximum column width.

**Important Information and Disclaimer:**The information provided on this page represents TI's knowledge and belief as of the date that it is provided. TI bases its knowledge and belief on information provided by third parties, and makes no representation or warranty as to the accuracy of such information. Efforts are underway to better integrate information from third parties. TI has taken and continues to take reasonable steps to provide representative and accurate information but may not have conducted destructive testing or chemical analysis on incoming materials and chemicals. TI and TI suppliers consider certain information to be proprietary, and thus CAS numbers and other limited information may not be available for release.

In no event shall TI's liability arising out of such information exceed the total purchase price of the TI part(s) at issue in this document sold by TI to Customer on an annual basis.



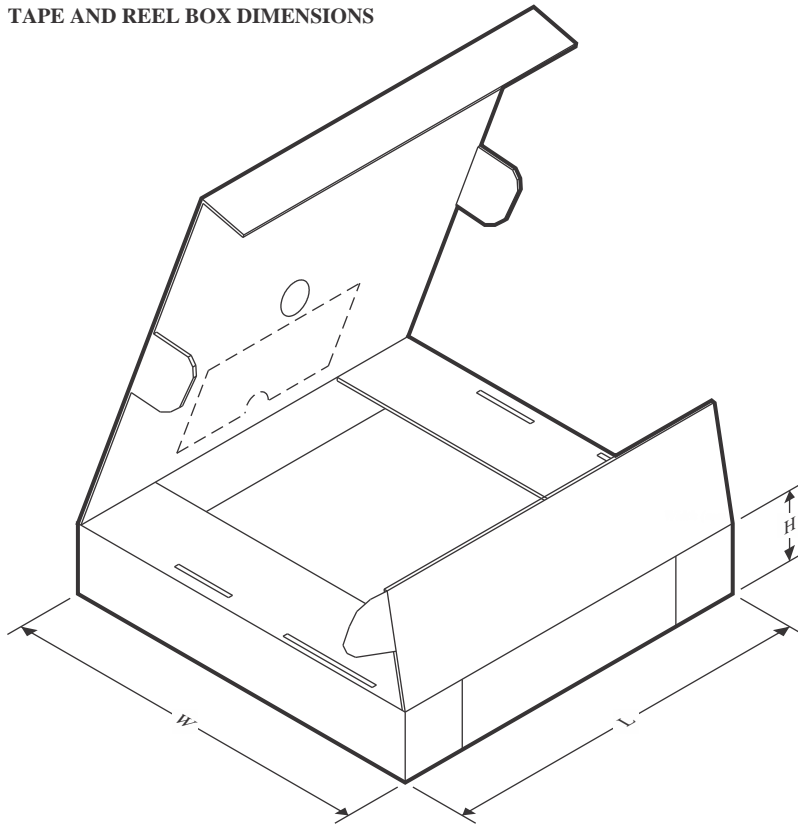
**TAPE AND REEL INFORMATION**

**QUADRANT ASSIGNMENTS FOR PIN 1 ORIENTATION IN TAPE**


\*All dimensions are nominal

Device	Package Type	Package Drawing	Pins	SPQ	Reel Diameter (mm)	Reel Width W1 (mm)	A0 (mm)	B0 (mm)	K0 (mm)	P1 (mm)	W (mm)	Pin1 Quadrant
TAS2110RPPR	VQFN-HR	RPP	32	3000	330.0	12.4	4.3	4.8	1.2	8.0	12.0	Q2
TAS2110RPPT	VQFN-HR	RPP	32	250	180.0	12.4	4.3	4.8	1.2	8.0	12.0	Q2

## TAPE AND REEL BOX DIMENSIONS



\*All dimensions are nominal

Device	Package Type	Package Drawing	Pins	SPQ	Length (mm)	Width (mm)	Height (mm)
TAS2110RPPR	VQFN-HR	RPP	32	3000	367.0	367.0	35.0
TAS2110RPPT	VQFN-HR	RPP	32	250	210.0	185.0	35.0

## GENERIC PACKAGE VIEW

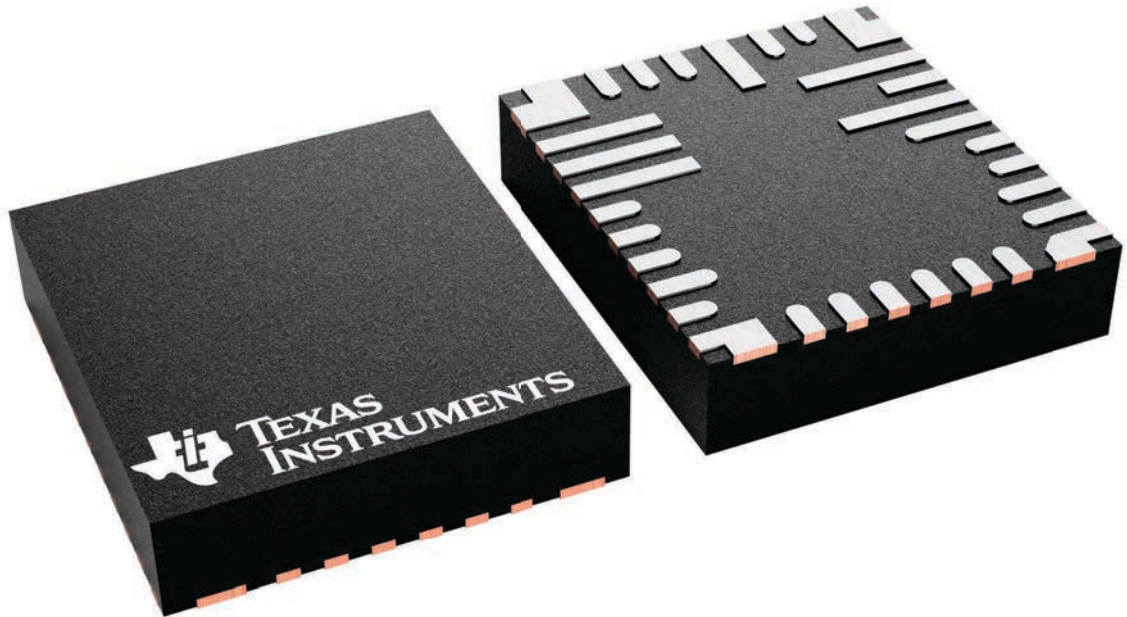
**RPP 32**

**VQFN-HR - 1.0 mm max height**

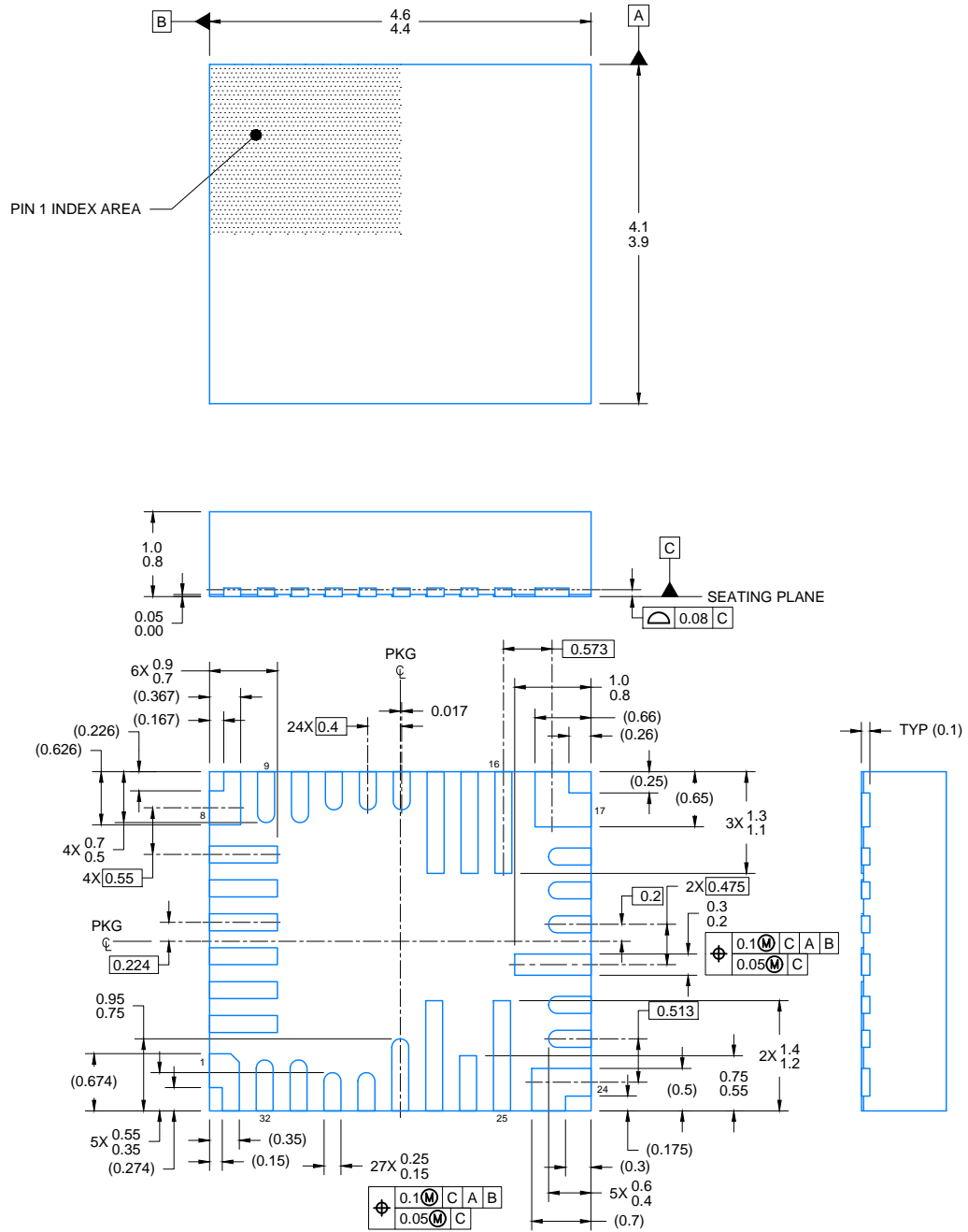
4.5 x 4, 0.4 mm pitch

PLASTIC QUAD FLAT PACK- NO LEAD

This image is a representation of the package family, actual package may vary.  
Refer to the product data sheet for package details.



4226439/A

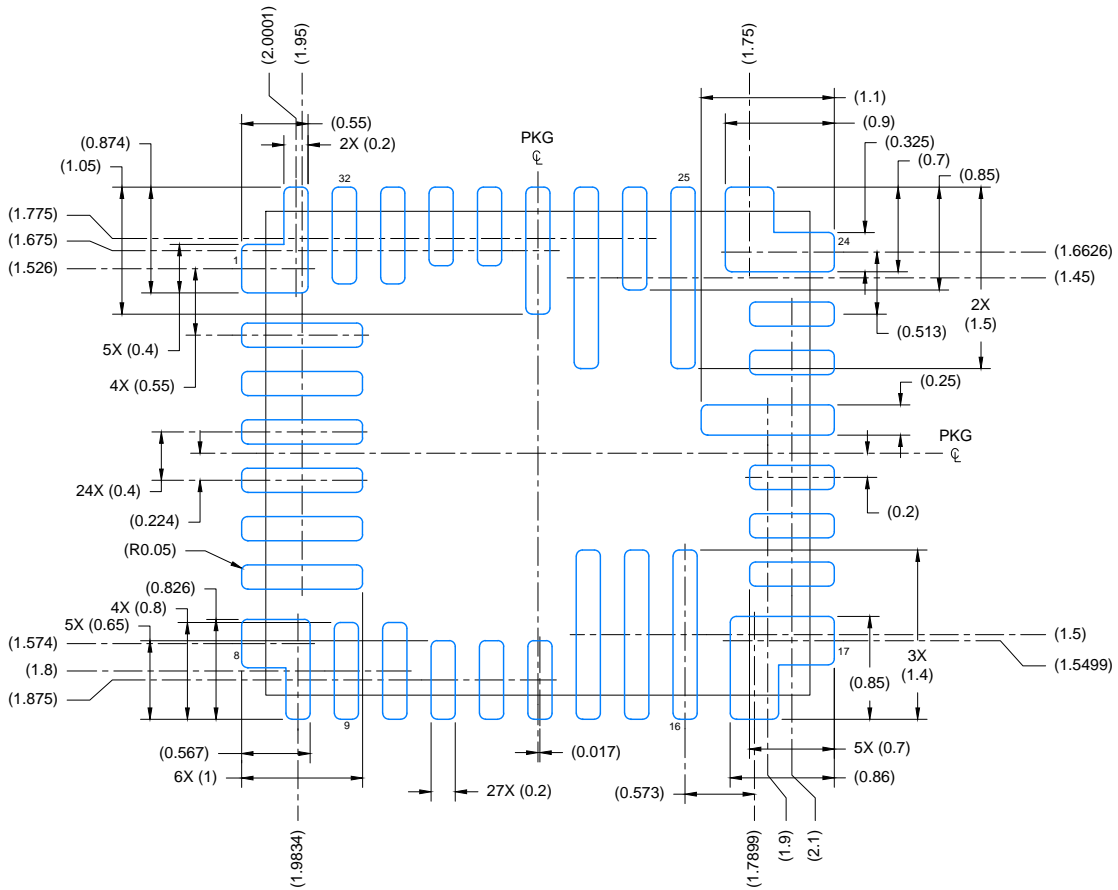


4224769/A 01/2019

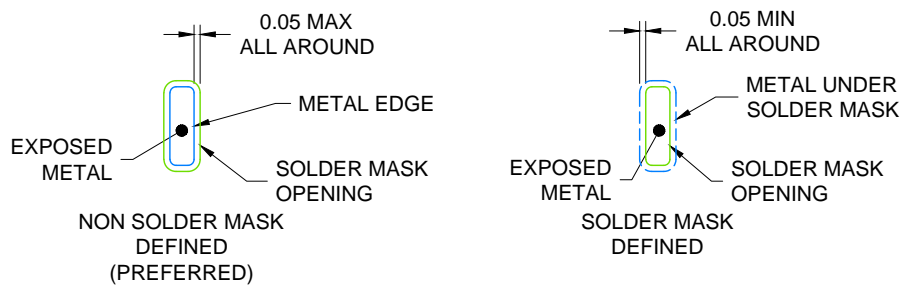
NOTES:

1. All linear dimensions are in millimeters. Any dimensions in parenthesis are for reference only. Dimensioning and tolerancing per ASME Y14.5M.
2. This drawing is subject to change without notice.





LAND PATTERN EXAMPLE  
EXPOSED METAL SHOWN  
SCALE: 16X

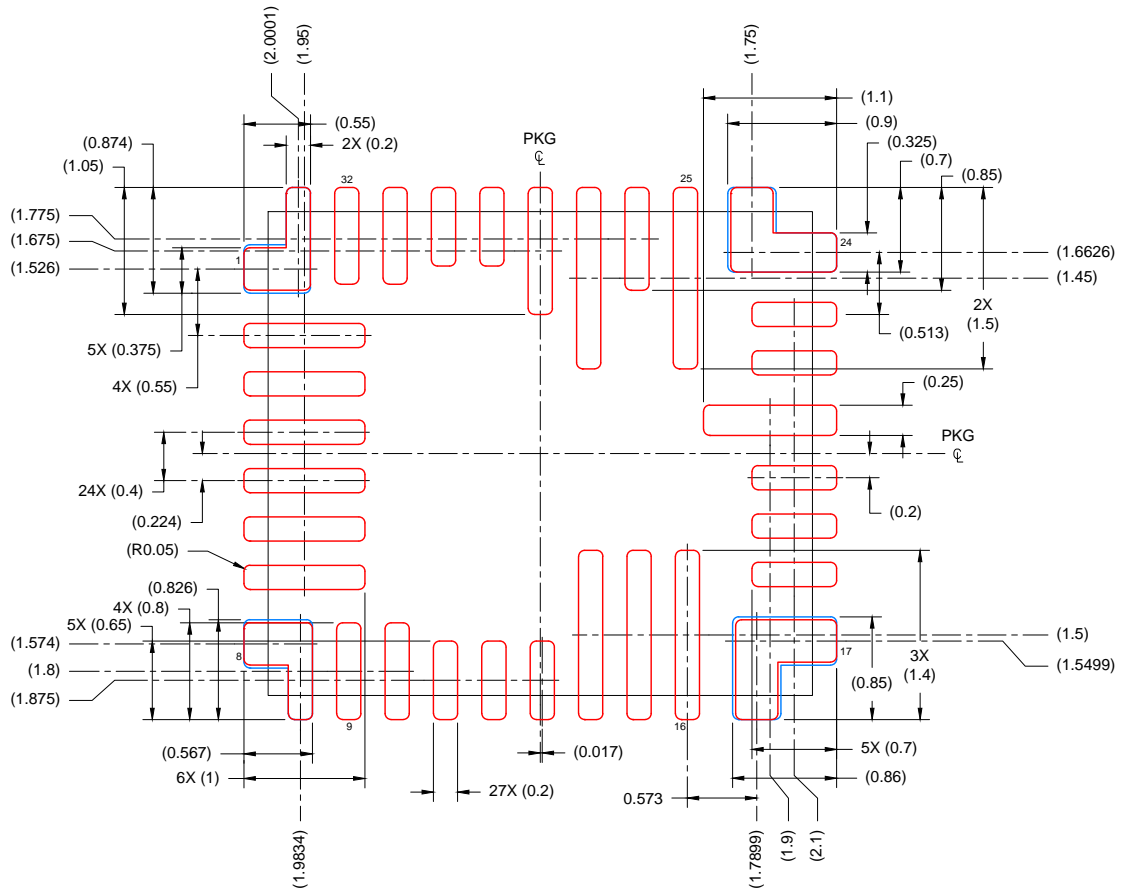


SOLDER MASK DETAILS

4224769/A 01/2019

NOTES: (continued)

- For more information, see Texas Instruments literature number SLUA271 ([www.ti.com/lit/slua271](http://www.ti.com/lit/slua271)).



SOLDER PASTE EXAMPLE  
 BASED ON 0.100mm THICK STENCIL

PRINTED SOLDER COVERAGE BY AREA UNDER PACKAGE  
 PAD 1: 93% , PAD 8: 92% , PAD 17: 87% , PAD 24: 94%  
 SCALE: 16X

4224769/A 01/2019

NOTES: (continued)

4. Laser cutting apertures with trapezoidal walls and rounded corners may offer better paste release. IPC-7525 may have alternate design recommendations.

## IMPORTANT NOTICE AND DISCLAIMER

TI PROVIDES TECHNICAL AND RELIABILITY DATA (INCLUDING DATA SHEETS), DESIGN RESOURCES (INCLUDING REFERENCE DESIGNS), APPLICATION OR OTHER DESIGN ADVICE, WEB TOOLS, SAFETY INFORMATION, AND OTHER RESOURCES "AS IS" AND WITH ALL FAULTS, AND DISCLAIMS ALL WARRANTIES, EXPRESS AND IMPLIED, INCLUDING WITHOUT LIMITATION ANY IMPLIED WARRANTIES OF MERCHANTABILITY, FITNESS FOR A PARTICULAR PURPOSE OR NON-INFRINGEMENT OF THIRD PARTY INTELLECTUAL PROPERTY RIGHTS.

These resources are intended for skilled developers designing with TI products. You are solely responsible for (1) selecting the appropriate TI products for your application, (2) designing, validating and testing your application, and (3) ensuring your application meets applicable standards, and any other safety, security, regulatory or other requirements.

These resources are subject to change without notice. TI grants you permission to use these resources only for development of an application that uses the TI products described in the resource. Other reproduction and display of these resources is prohibited. No license is granted to any other TI intellectual property right or to any third party intellectual property right. TI disclaims responsibility for, and you will fully indemnify TI and its representatives against, any claims, damages, costs, losses, and liabilities arising out of your use of these resources.

TI's products are provided subject to [TI's Terms of Sale](#) or other applicable terms available either on [ti.com](https://www.ti.com) or provided in conjunction with such TI products. TI's provision of these resources does not expand or otherwise alter TI's applicable warranties or warranty disclaimers for TI products.

TI objects to and rejects any additional or different terms you may have proposed.

Mailing Address: Texas Instruments, Post Office Box 655303, Dallas, Texas 75265  
Copyright © 2023, Texas Instruments Incorporated

单击下面可查看定价，库存，交付和生命周期等信息

[>>TI\(德州仪器\)](#)