

TPS2660x 60-V, 2-A Industrial eFuse With Integrated Reverse Input Polarity Protection

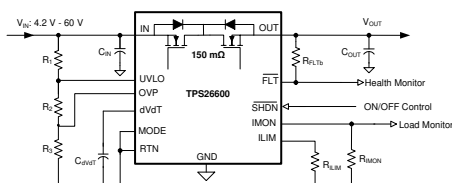
1 Features

- 4.2-V to 60-V Operating voltage, 62-V absolute maximum
- Integrated reverse input polarity protection down to –60 V
 - Zero additional components required
- Integrated back to back MOSFETs with 150-mΩ total RON
- 0.1-A to 2.23-A Adjustable current limit (±5% accuracy at 1 A)
- **Functional safety capable**
 - Documentation available to aid functional safety system design
- Load protection during Surge (IEC 61000-4-5) with minimum external components
- IMON current indicator output (±8.5% accuracy)
- Low quiescent current, 300-μA in operating, 20-μA in shutdown
- Adjustable UVLO, OVP cut off, output slew rate control
- Reverse current blocking
- Fixed 38-V overvoltage clamp (TPS26602 only)
- Available in easy-to-use 16-Pin HTSSOP and 24-Pin VQFN packages
- Selectable current-limiting fault response options (Auto-Retry, Latch Off, Circuit Breaker Modes)
- UL 2367 Recognized
 - File No. 169910
 - $R_{ILIM} \geq 5.36 \text{ k}\Omega$ (2.35-A maximum)
- UL60950 - Safe during single point failure test
 - Open/Short ILIM detection

2 Applications

- Programmable logic controller
- Distributed Control System (DCS)
- Control and automation
- Redundant supply ORing
- Industrial surge protection

Simplified Schematic



3 Description

The TPS2660x devices are compact, feature rich high voltage eFuses with a full suite of protection features. The wide supply input range of 4.2 to 60 V allows control of many popular DC bus voltages. The device can withstand and protect the loads from positive and negative supply voltages up to ±60 V. Integrated back to back FETs provide reverse current blocking feature making the device suitable for systems with output voltage holdup requirements during power fail and brownout conditions. Load, source and device protection are provided with many adjustable features including overcurrent, output slew rate and overvoltage, undervoltage thresholds. The internal robust protection control blocks along with the high voltage rating of the TPS2660x helps to simplify the system designs for Surge protection.

A shutdown pin provides external control for enabling and disabling the internal FETs as well as placing the device in a low current shutdown mode. For system status monitoring and downstream load control, the device provides fault and precise current monitor output. The MODE pin allows flexibility to configure the device between the three current-limiting fault responses (circuit breaker, latch off, and Auto-retry modes).

The devices are available in a 5-mm × 4.4-mm 16-pin HTSSOP as well as 5-mm × 4-mm 24-pin VQFN package and are specified over a –40°C to +125°C temperature range.

Device Information⁽¹⁾

| PART NUMBER | PACKAGE | BODY SIZE (NOM) |
|----------------------------------|-------------|-------------------|
| TPS26600 TPS26602 | HTSSOP (16) | 5.00 mm × 4.40 mm |
| TPS26600 TPS26601 TPS26602 | VQFN (24) | 5.00 mm × 4.00 mm |

(1) For all available packages, see the orderable addendum at the end of the data sheet.

Reverse Input Polarity Protection at –60-V Supply

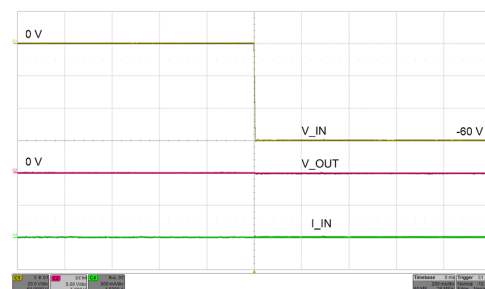


Table of Contents

| | | | |
|--|-----------|--|-----------|
| 1 Features | 1 | 10 Application and Implementation | 28 |
| 2 Applications | 1 | 10.1 Application Information | 28 |
| 3 Description | 1 | 10.2 Typical Application | 28 |
| 4 Revision History | 2 | 10.3 System Examples | 34 |
| 5 Device Comparison Table | 4 | 10.4 Do's and Don'ts | 37 |
| 6 Pin Configuration and Functions | 4 | 11 Power Supply Recommendations | 38 |
| 7 Specifications | 6 | 11.1 Transient Protection | 38 |
| 7.1 Absolute Maximum Ratings | 6 | 12 Layout | 39 |
| 7.2 ESD Ratings | 6 | 12.1 Layout Guidelines | 39 |
| 7.3 Recommended Operating Conditions | 6 | 12.2 Layout Example | 40 |
| 7.4 Thermal Information | 6 | 13 Device and Documentation Support | 42 |
| 7.5 Electrical Characteristics | 7 | 13.1 Device Support | 42 |
| 7.6 Timing Requirements | 9 | 13.2 Documentation Support | 42 |
| 7.7 Typical Characteristics | 10 | 13.3 Receiving Notification of Documentation Updates | 42 |
| 8 Parameter Measurement Information | 16 | 13.4 Community Resources | 42 |
| 9 Detailed Description | 17 | 13.5 Trademarks | 42 |
| 9.1 Overview | 17 | 13.6 Electrostatic Discharge Caution | 42 |
| 9.2 Functional Block Diagram | 18 | 13.7 Glossary | 42 |
| 9.3 Feature Description | 18 | 14 Mechanical, Packaging, and Orderable Information | 42 |
| 9.4 Device Functional Modes | 27 | | |

4 Revision History

Changes from Revision F (August 2019) to Revision G Page

- Added Functional safety capable link to the [Features](#) section 1

Changes from Revision E (November 2017) to Revision F Page

- Changed Operating voltage from 55 V to 60 V and Absolute MAX from 60 V to 62 V in the *Features* section 1
- Changed the input range from 55 V to 60 V in the *Description* section and the *Simplified Schematic* 1
- Changed Input voltage MAX from 60 V to 62 V in the *Absolute Maximum Ratings* table 6
- Changed Input voltage MAX from 55 V to 60 V in the *Recommended Operating Conditions* table 6
- Changed Operating input voltage MAX from 55 V to 60 V in the *Electrical Characteristics* table 7
- Added OVP_{MAX} to the Overvoltage Protection section in the *Electrical Characteristics* table 7
- Changed voltage range from 55 V to 60 V in the *Detailed Description, Application and Implementation and Power Supply Recommendations* sections 17

Changes from Revision D (April 2017) to Revision E Page

- Updated *FAULT Response* section 1

Changes from Revision C (March 2017) to Revision D Page

- Updated *Pin Functions* table 4

Changes from Revision B (Feb 2017) to Revision C Page

- Updated UL certification in [Features](#) section 1

Changes from Revision A (Aug 2016) to Revision B
Page

| | |
|--|---|
| • Added RHF package | 1 |
| • Changed "Reverse input supply current" from "52" to "66" in the <i>Electrical Characteristics</i> table..... | 7 |
| • Changed "UVLO threshold voltage, falling" from "1.095" to "1.08" in the <i>Electrical Characteristics</i> table..... | 7 |
| • Changed "Over-voltage threshold voltage, rising" from "1.175" to "1.17" in the <i>Electrical Characteristics</i> table..... | 7 |
| • Changed "Over-voltage threshold voltage, falling" from "1.095" to "1.085" in the <i>Electrical Characteristics</i> table..... | 7 |
| • Changed " $I_{kg(OUT)}$ " from "35" to "50" in the <i>Electrical Characteristics</i> table..... | 8 |
| • Changed \overline{FLT} input leakage current from "-100" to "-200" (MIN) and "100" to "200" (MAX) in the <i>Electrical Characteristics</i> table | 8 |

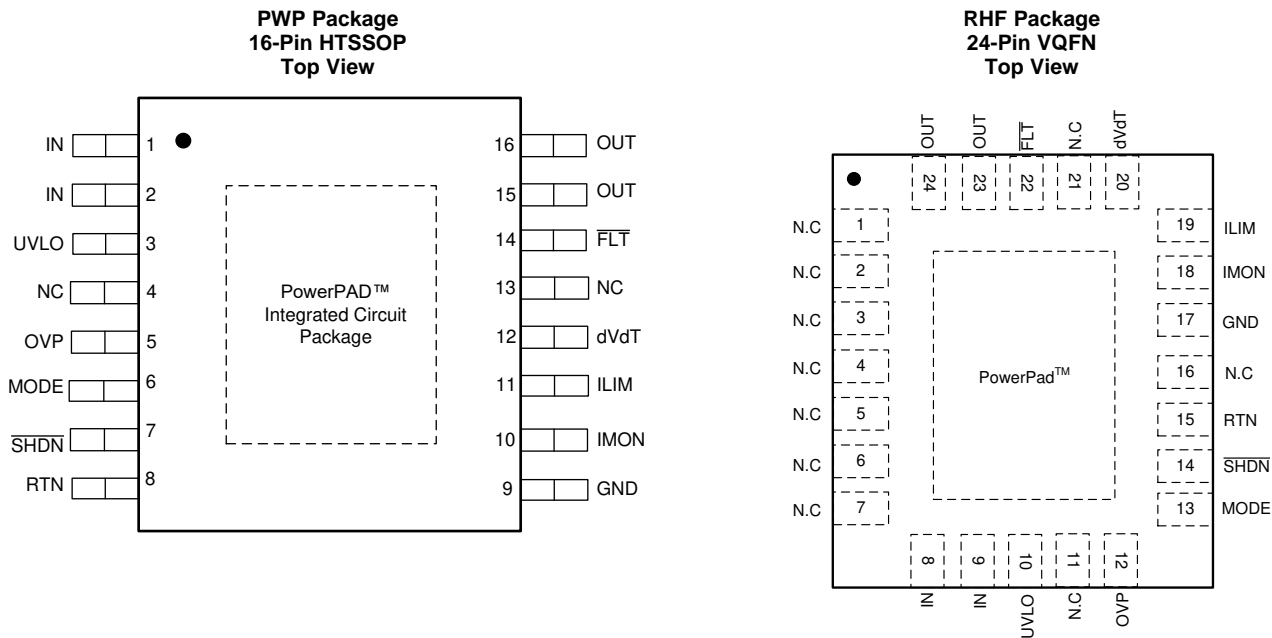
Changes from Original (July 2016) to Revision A
Page

| | |
|---|---|
| • Changed device status from <i>Product Preview</i> to <i>Production Data</i> | 1 |
|---|---|

5 Device Comparison Table

| Part Number | Overvoltage Protection | Over Load Fault Response with MODE = Open |
|-------------|---------------------------------|---|
| TPS26600 | Overvoltage cut-off, adjustable | Circuit breaker with auto-retry |
| TPS26601 | Overvoltage cut-off, adjustable | Circuit breaker with latch |
| TPS26602 | Overvoltage clamp, fixed (38 V) | Circuit breaker with auto-retry |

6 Pin Configuration and Functions



Pin Functions

| NAME | PIN | | TYPE | DESCRIPTION |
|------|------------------------|-----------------|-------|--|
| | TPS26600/1/2 HTSSOP | VQFN | | |
| dVdT | 12 | 20 | I/O | A capacitor from this pin to RTN sets output voltage slew rate. See the Hot Plug-In and In-Rush Current Control section. |
| FLT | 14 | 22 | O | Fault event indicator. It is an open drain output. If unused, leave floating. |
| GND | 9 | 17 | — | Connect GND to system ground. |
| ILIM | 11 | 19 | I/O | A resistor from this pin to RTN sets the overload and short-circuit current limit. See the Overload and Short Circuit Protection section. |
| IMON | 10 | 18 | O | Analog current monitor output. This pin sources a scaled down ratio of current through the internal FET. A resistor from this pin to RTN converts current to proportional voltage. If unused, leave it floating. |
| IN | 1, 2 | 8, 9 | Power | Power input and supply voltage of the device. |
| MODE | 6 | 13 | I | Mode selection pin for over load fault response. See the Device Functional Modes section. |
| N.C. | 4, 13 | 1-7, 11, 16, 21 | — | No connect. |

Pin Functions (continued)

| NAME | PIN | | TYPE | DESCRIPTION |
|-------------------|--------------|------|-------|---|
| | TPS26600/1/2 | | | |
| | HTSSOP | VQFN | | |
| OUT | 15 | 23 | Power | Power output of the device |
| | 16 | 24 | | |
| OVP | 5 | 12 | I | Input for setting the programmable overvoltage protection threshold (For TPS26600/1 only). An overvoltage event turns off the internal FET and asserts \overline{FLT} to indicate the overvoltage fault. Connect OVP pin to RTN pin externally to select the internal default threshold. For overvoltage clamp response (TPS26602 Only) connect OVP to RTN externally |
| PowerPad™ | — | — | — | PowerPad must be connected to RTN plane on PCB using multiple vias for enhanced thermal performance. Do not use PowerPad as the only electrical connection to RTN |
| RTN | 8 | 15 | — | Reference for device internal control circuits |
| \overline{SHDN} | 7 | 14 | I | Shutdown pin. Pulling \overline{SHDN} low makes the device to enter into low power shutdown mode. Cycling \overline{SHDN} pin voltage resets the device that has latched off due to a fault condition |
| UVLO | 3 | 10 | I | Input for setting the programmable undervoltage lockout threshold. An undervoltage event turns off the internal FET and asserts \overline{FLT} to indicate the power-failure. Connect UVLO pin to RTN pin to select the internal default threshold |

7 Specifications

7.1 Absolute Maximum Ratings

over operating free-air temperature range (all voltages referred to GND (unless otherwise noted))⁽¹⁾

| | | MIN | MAX | UNIT |
|---|--------------------------------|--------------------|--------------------|------|
| IN, IN-OUT | Input voltage | -60 | 62 | V |
| IN, IN-OUT (10 ms transient), T _A = 25°C | | -70 | 70 | V |
| [IN, OUT, $\overline{\text{FLT}}$, UVLO, $\overline{\text{SHDN}}$] to RTN | | -0.3 | 62 | V |
| [OVP, dVdT, ILIM, IMON, MODE] to RTN | | -0.3 | 5 | V |
| RTN | | -60 | 0.3 | V |
| I $\overline{\text{FLT}}$, I _{dVdT} , I $\overline{\text{SHDN}}$ | Sink current | | 10 | mA |
| I _{dVdT} , I _{ILIM} , I _{IMON} | Source current | Internally limited | | |
| T _J | Operating junction temperature | -40 | 150 | °C |
| | Transient junction temperature | -65 | T _(TSD) | °C |
| T _{stg} | Storage temperature | -65 | 150 | °C |

(1) Stresses beyond those listed under *Absolute Maximum Ratings* may cause permanent damage to the device. These are stress ratings only, which do not imply functional operation of the device at these or any other conditions beyond those indicated under *Recommended Operating Conditions*. Exposure to absolute-maximum-rated conditions for extended periods may affect device reliability.

7.2 ESD Ratings

| | | VALUE | UNIT |
|--|--|-------|------|
| V _(ESD) Electrostatic discharge | Human-body model (HBM), per ANSI/ESDA/JEDEC JS-001 ⁽¹⁾ | ±1000 | V |
| | Charged-device model (CDM), per JEDEC specification JESD22-C101 ⁽²⁾ | ±250 | |

(1) JEDEC document JEP155 states that 500-V HBM allows safe manufacturing with a standard ESD control process.

(2) JEDEC document JEP157 states that 250-V CDM allows safe manufacturing with a standard ESD control process.

7.3 Recommended Operating Conditions

over operating free-air temperature range (all voltages referred to GND (unless otherwise noted))

| | | MIN | NOM | MAX | UNIT |
|---|-------------------------------------|------|-----|-----|------|
| IN | Input voltage | -55 | | 60 | V |
| UVLO, OUT, $\overline{\text{FLT}}$ | | 0 | | 60 | |
| OVP, dVdT, ILIM, IMON, $\overline{\text{SHDN}}$ | | 0 | | 4 | |
| ILIM | Resistance | 5.36 | | 120 | kΩ |
| IMON | | 1 | | | |
| IN, OUT | External capacitance | 0.1 | | | μF |
| dVdT | | 10 | | | nF |
| -dV _(IN) /dt | V _(IN) falling slew rate | | | 20 | V/μs |
| T _J | Operating junction temperature | -40 | 25 | 125 | °C |

7.4 Thermal Information

| THERMAL METRIC ⁽¹⁾ | | TPS2660 | | UNIT |
|-------------------------------|--|--------------|------------|------|
| | | PWP (HTSSOP) | RHF (VQFN) | |
| | | 16 PINS | 24 PINS | |
| R _{θJA} | Junction-to-ambient thermal resistance | 38.6 | 30.2 | °C/W |
| R _{θJC(top)} | Junction-to-case (top) thermal resistance | 22.7 | 20.8 | °C/W |
| R _{θJB} | Junction-to-board thermal resistance | 18.2 | 7.6 | °C/W |
| ψ _{JT} | Junction-to-top characterization parameter | 0.5 | 0.2 | °C/W |
| ψ _{JB} | Junction-to-board characterization parameter | 18 | 7.6 | °C/W |
| R _{θJC(bot)} | Junction-to-case (bottom) thermal resistance | 1.5 | 1.7 | °C/W |

(1) For more information about traditional and new thermal metrics, see the [Semiconductor and IC Package Thermal Metrics](#) application report.

7.5 Electrical Characteristics

–40°C ≤ T_A = T_J ≤ +125°C, V_(IN) = 24 V, V_(SHDN) = 2 V, R_(ILIM) = 120 kΩ, IMON = FLT = OPEN, C_(OUT) = 1 μF, C_(dVdT) = OPEN.
(All voltages referenced to GND, (unless otherwise noted))

| PARAMETER | | TEST CONDITIONS | MIN | TYP | MAX | UNIT |
|---|---|--|-------|-------|-------|------|
| SUPPLY VOLTAGE | | | | | | |
| V _(IN) | Operating input voltage | | 4.2 | | 60 | V |
| V _(PORR) | Internal POR threshold, rising | | 3.9 | 4 | 4.1 | V |
| V _(PORHys) | Internal POR hysteresis | | 250 | 275 | 300 | mV |
| I _{Q(ON)} | Supply current | Enabled: V _(SHDN) = 2 V | 190 | 300 | 390 | μA |
| I _{Q(OFF)} | | V _(SHDN) = 0 V | 11 | 20 | 33 | μA |
| I _(VINR) | Reverse input supply current | V _(IN) = –60 V, V _(OUT) = 0 V | | | 66 | μA |
| V _(OVC) | Overvoltage clamp | V _(IN) > 42 V, TPS26602 only | 36 | 37.5 | 40 | V |
| UNDERVOLTAGE LOCKOUT (UVLO) INPUT | | | | | | |
| V _(IN_UVLO) | Factory set V _(IN) undervoltage trip level | V _(IN) rising, V _(UVLO) = 0 V | 14.25 | 14.9 | 15.75 | V |
| | | V _(IN) falling, V _(UVLO) = 0 V | 13.25 | 13.8 | 14.75 | |
| V _(SEL_UVLO) | Internal UVLO select threshold | | 180 | 200 | 240 | mV |
| V _(UVLOR) | UVLO threshold voltage, rising | | 1.175 | 1.19 | 1.225 | V |
| V _(UVLOF) | UVLO threshold voltage, falling | | 1.08 | 1.1 | 1.125 | V |
| I _(UVLO) | UVLO input leakage current | 0 V ≤ V _(UVLO) ≤ 60 V | –100 | 0 | 100 | nA |
| LOW IQ SHUTDOWN (SHDN) INPUT | | | | | | |
| V _(SHDN) | Output voltage | I _(SHDN) = 0.1 μA | 2 | 2.7 | 3.4 | V |
| V _(SHUTF) | SHDN threshold voltage for low IQ shutdown, falling | | 0.55 | 0.76 | 0.94 | V |
| I _(SHDN) | Leakage current | V _(SHDN) = 0.4 V | –10 | | | μA |
| OVERVOLTAGE PROTECTION (OVP) INPUT | | | | | | |
| V _(IN_OVP) | Factory set V _(IN) overvoltage trip level | V _(IN) rising, V _(OVP) = 0 V | 31 | 32.6 | 34 | V |
| | | V _(IN) falling, V _(OVP) = 0 V | 28.5 | 30.3 | 31.5 | |
| V _(SEL_OVP) | Internal OVP select threshold | | 180 | 200 | 240 | mV |
| V _(OVPR) | Overvoltage threshold voltage, rising | | 1.17 | 1.19 | 1.225 | V |
| V _(OVPF) | Overvoltage threshold, falling | | 1.085 | 1.1 | 1.125 | V |
| I _(OVP) | OVP input leakage current | 0 V ≤ V _(OVP) ≤ 4 V | –100 | 0 | 100 | nA |
| OVP _{MAX} | Maximum external OVP setting | TPS26600, TPS26601 only | | | 55 | V |
| OUTPUT RAMP CONTROL (dVdT) | | | | | | |
| I _(dVdT) | dVdT charging current | V _(dVdT) = 0 V | 4 | 4.7 | 5.5 | μA |
| R _(dVdT) | dVdT discharging resistance | V _(SHDN) = 0 V, with I _(dVdT) = 10 mA sinking | | 14 | | Ω |
| GAIN _(dVdT) | dVdT to OUT gain | V _(OUT) /V _(dVdT) | 23.75 | 24.6 | 25.5 | V/V |
| CURRENT LIMIT PROGRAMMING (ILIM) | | | | | | |
| V _(ILIM) | ILIM bias voltage | | | 1 | | V |
| I _(OL) | Overload current limit | R _(ILIM) = 120 kΩ, V _(IN) – V _(OUT) = 1 V | 0.085 | 0.1 | 0.115 | A |
| | | R _(ILIM) = 12 kΩ, V _(IN) – V _(OUT) = 1 V | 0.95 | 1 | 1.05 | |
| | | R _(ILIM) = 8 kΩ, V _(IN) – V _(OUT) = 1 V | 1.425 | 1.5 | 1.575 | |
| | | R _(ILIM) = 5.36 kΩ, V _(IN) – V _(OUT) = 1 V | 2.11 | 2.23 | 2.35 | |
| I _(OL_R-OPEN) | | R _(ILIM) = OPEN, open resistor current limit (single point failure test: UL60950) | | 0.055 | | |
| I _(OL_R-SHORT) | | R _(ILIM) = SHORT, shorted resistor current limit (single point failure test: UL60950) | | 0.095 | | |
| I _(CB) | Circuit breaker detection threshold | R _(ILIM) = 120 kΩ, MODE = open | 0.045 | 0.073 | 0.11 | A |
| | | R _(ILIM) = 5.36 kΩ, MODE = open | 2 | 2.21 | 2.4 | |

Electrical Characteristics (continued)

$-40^{\circ}\text{C} \leq T_A = T_J \leq +125^{\circ}\text{C}$, $V_{(IN)} = 24\text{ V}$, $V_{(\overline{\text{SHDN}})} = 2\text{ V}$, $R_{(ILIM)} = 120\text{ k}\Omega$, $\overline{\text{FLT}} = \text{OPEN}$, $C_{(OUT)} = 1\text{ }\mu\text{F}$, $C_{(dVdT)} = \text{OPEN}$.
 (All voltages referenced to GND, (unless otherwise noted))

| PARAMETER | TEST CONDITIONS | MIN | TYP | MAX | UNIT | |
|--|---|--|--------------------------------|-------|-------|--------------------------------------|
| $I_{(SCL)}$ | Short-circuit current limit | $R_{(ILIM)} = 120\text{ k}\Omega$, $V_{(IN)} - V_{(OUT)} = 5\text{ V}$ | 0.08 | 0.1 | 0.12 | A |
| | | $R_{(ILIM)} = 8\text{ k}\Omega$, $V_{(IN)} - V_{(OUT)} = 5\text{ V}$ | 1.425 | 1.5 | 1.575 | |
| | | $R_{(ILIM)} = 5.36\text{ k}\Omega$, $V_{(IN)} - V_{(OUT)} = 5\text{ V}$ | 2.11 | 2.23 | 2.35 | |
| $I_{(FASTRIP)}$ | Fast-trip comparator threshold | | $1.87 \times I_{(OL)} + 0.015$ | | A | |
| CURRENT MONITOR OUTPUT (IMON) | | | | | | |
| $\text{GAIN}_{(IMON)}$ | Gain factor $I_{(IMON)}:I_{(OUT)}$ | $0.1\text{ A} \leq I_{(OUT)} \leq 2\text{ A}$ | 72 | 78.28 | 85 | $\mu\text{A/A}$ |
| PASS FET OUTPUT (OUT) | | | | | | |
| R_{ON} | IN to OUT total ON resistance | $0.1\text{ A} \leq I_{(OUT)} \leq 2\text{ A}$, $T_J = 25^{\circ}\text{C}$ | 140 | 150 | 160 | m Ω |
| | | $0.1\text{ A} \leq I_{(OUT)} \leq 2\text{ A}$, $T_J = 85^{\circ}\text{C}$ | | | 210 | |
| | | $0.1\text{ A} \leq I_{(OUT)} \leq 2\text{ A}$, $-40^{\circ}\text{C} \leq T_J \leq +125^{\circ}\text{C}$ | 80 | 150 | 250 | |
| $I_{(kg(OUT))}$ | OUT leakage current in Off state | $V_{(IN)} = 60\text{ V}$, $V_{(\overline{\text{SHDN}})} = 0\text{ V}$, $V_{(OUT)} = 0\text{ V}$, sourcing | | | 12 | μA |
| | | $V_{(IN)} = 0\text{ V}$, $V_{(\overline{\text{SHDN}})} = 0\text{ V}$, $V_{(OUT)} = 24\text{ V}$, sinking | | | 11 | |
| | | $V_{(IN)} = -60\text{ V}$, $V_{(\overline{\text{SHDN}})} = 0\text{ V}$, $V_{(OUT)} = 0\text{ V}$, sinking | | | 50 | |
| $V_{(REVTH)}$ | $V_{(IN)} - V_{(OUT)}$ threshold for reverse protection comparator, falling | | -15 | -10 | -5 | mV |
| $V_{(FWDTH)}$ | $V_{(IN)} - V_{(OUT)}$ threshold for reverse protection comparator, rising | | 85 | 96 | 110 | mV |
| FAULT FLAG ($\overline{\text{FLT}}$): ACTIVE LOW | | | | | | |
| $R_{(\overline{\text{FLT}})}$ | $\overline{\text{FLT}}$ pull-down resistance | $V_{(OVP)} = 2\text{ V}$, $I_{(\overline{\text{FLT}})} = 5\text{ mA}$ sinking | 40 | 85 | 160 | Ω |
| $I_{(\overline{\text{FLT}})}$ | $\overline{\text{FLT}}$ input leakage current | $0\text{ V} \leq V_{(\overline{\text{FLT}})} \leq 60\text{ V}$ | -200 | | 200 | nA |
| THERMAL SHUT DOWN (TSD) | | | | | | |
| $T_{(TSD)}$ | TSD threshold, rising | | 157 | | | $^{\circ}\text{C}$ |
| $T_{(TSDhyst)}$ | TSD hysteresis | | 10 | | | $^{\circ}\text{C}$ |
| MODE | | | | | | |
| MODE_SEL | Thermal fault mode selection | MODE = 402 k Ω to RTN | | | | Current limiting with latch |
| | | MODE = Open | | | | Circuit breaker mode with auto-retry |
| | | MODE = Open (TPS26601 only) | | | | Circuit breaker mode with latch |
| | | MODE = Short to RTN | | | | Current limiting with auto-retry |

7.6 Timing Requirements

–40°C ≤ T_A = T_J ≤ +125°C, V_(IN) = 24 V, V_(SHDN) = 2 V, R_(ILIM) = 120 kΩ, IMON = $\overline{\text{FLT}}$ = OPEN, C_(OUT) = 1 μF, C_(dVdT) = OPEN.
(All voltages referenced to GND, (unless otherwise noted))

| | | | MIN | NOM | MAX | UNIT |
|--|---|---|-----|--|-----|------|
| IN AND UVLO INPUT | | | | | | |
| UVLO_ t _{ON(dly)} | UVLO turnon delay | UVLO↑ (100 mV above V _(UVLOR)) to V _(OUT) = 100 mV, C _(dVdT) = open | | 250 | | μs |
| | | UVLO↑ (100 mV above V _(UVLOR)) to V _(OUT) = 100 mV, C _(dVdT) ≥ 10 nF, [C _(dVdT) in nF] | | 250 + 14.5 × C _(dVdT) | | μs |
| UVLO_ t _{off(dly)} | UVLO turnoff delay | UVLO↓ (100 mV below V _(UVLOF)) to $\overline{\text{FLT}}\downarrow$ | | 10 | | μs |
| SHUTDOWN CONTROL INPUT (SHDN) | | | | | | |
| t _{SD(dly)} | SHUTDOWN exit delay | $\overline{\text{SHDN}}\uparrow$ to V _(OUT) = 100 mV, C _(dVdT) ≥ 10 nF, [C _(dVdT) in nF] | | 250 + 14.5 × C _(dVdT) | | μs |
| | | $\overline{\text{SHDN}}\uparrow$ to V _(OUT) = 100 mV, C _(dVdT) = open | | 250 | | μs |
| | SHUTDOWN entry delay | $\overline{\text{SHDN}}\downarrow$ (below V _(SHUTF)) to $\overline{\text{FLT}}\downarrow$ | | 10 | | μs |
| OVER VOLTAGE PROTECTION INPUT (OVP) | | | | | | |
| t _{OVP(dly)} | OVP exit delay | OVP↓ (20 mV below V _(OVPR)) to V _(OUT) = 100 mV, TPS26600 & TPS26601 only | | 200 | | μs |
| | OVP disable delay | OVP↑ (20 mV above V _(OVPR)) to $\overline{\text{FLT}}\downarrow$, TPS26600 and TPS26601 only | | 6 | | μs |
| CURRENT LIMIT | | | | | | |
| t _{FASTTRIP(dly)} | Fast-trip comparator delay | I _(OUT) > I _(FASTTRIP) | | 250 | | ns |
| REVERSE PROTECTION COMPARATOR | | | | | | |
| t _{REV(dly)} | Reverse protection comparator delay | (V _(IN) – V _(OUT))↓ (100 mV overdrive below V _(REVTH)) to internal FET turn OFF | | 1.5 | | μs |
| | | (V _(IN) – V _(OUT))↓ (10 mV overdrive below V _(REVTH)) to $\overline{\text{FLT}}\downarrow$ | | 45 | | |
| t _{FWD(dly)} | | (V _(IN) – V _(OUT))↑ (10 mV overdrive above V _(FWDTH)) to $\overline{\text{FLT}}\uparrow$ | | 70 | | |
| THERMAL SHUTDOWN | | | | | | |
| t _{retry} | Retry delay in TSD | | | 512 | | ms |
| OUTPUT RAMP CONTROL (dVdT) | | | | | | |
| t _{dVdT} | Output ramp time | $\overline{\text{SHDN}}\uparrow$ to V _(OUT) = 23.9 V, with C _(dVdT) = 47 nF | | 10 | | ms |
| | | $\overline{\text{SHDN}}\uparrow$ to V _(OUT) = 23.9 V, with C _(dVdT) = open | | 1.6 | | |
| FAULT FLAG ($\overline{\text{FLT}}$) | | | | | | |
| t _{CB(dly)} | $\overline{\text{FLT}}$ assertion delay in circuit breaker mode | MODE = OPEN, delay from I _(OUT) > I _(OL) to $\overline{\text{FLT}}\downarrow$ | | 4 | | ms |
| t _{CBretry(dly)} | Retry delay in circuit breaker mode | MODE = OPEN | | 540 | | ms |
| t _{PGOODF} | PGOOD delay (de-glitch) time | Falling edge | | 875 | | μs |
| t _{PGOODR} | | Rising edge, C _(dVdT) = open | | 1400 | | |
| | | Rising edge, C _(dVdT) ≥ 10 nF, [C _(dVdT) in nF] | | 875 + 20 × C _(dVdT) | | |

7.7 Typical Characteristics

$-40^{\circ}\text{C} \leq T_A = T_J \leq +125^{\circ}\text{C}$, $V_{(IN)} = 24\text{ V}$, $V_{(\overline{\text{SHDN}})} = 2\text{ V}$, $R_{(ILIM)} = 120\text{ k}\Omega$, $\overline{\text{IMON}} = \overline{\text{FLT}} = \text{OPEN}$, $C_{(OUT)} = 1\text{ }\mu\text{F}$, $C_{(dvdt)} = \text{OPEN}$.
(Unless stated otherwise)

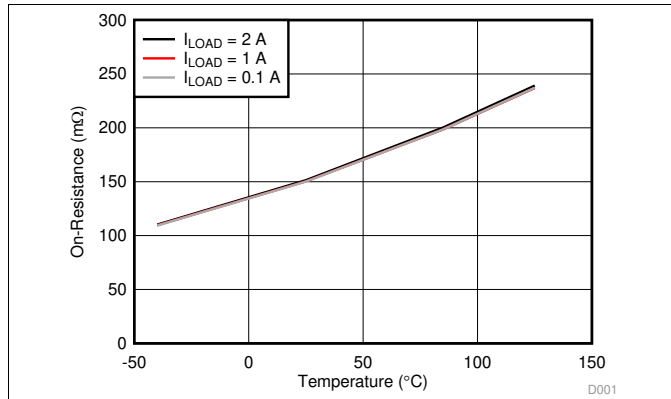


Figure 1. On-Resistance vs Temperature Across Load Current

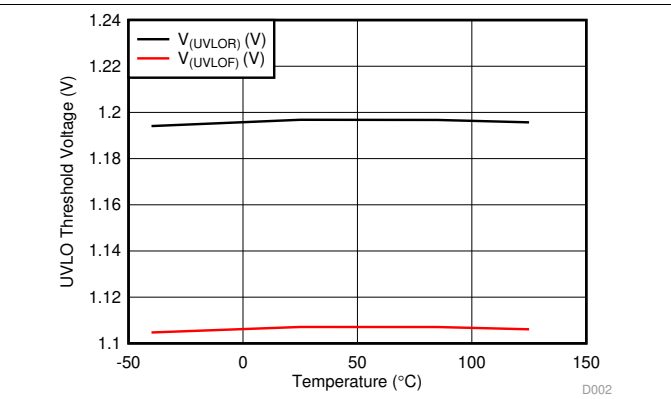


Figure 2. UVLO Threshold Voltage vs Temperature

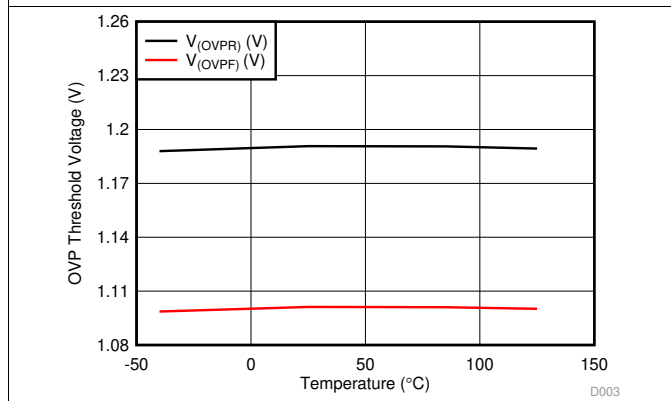


Figure 3. OVP Threshold Voltage vs Temperature

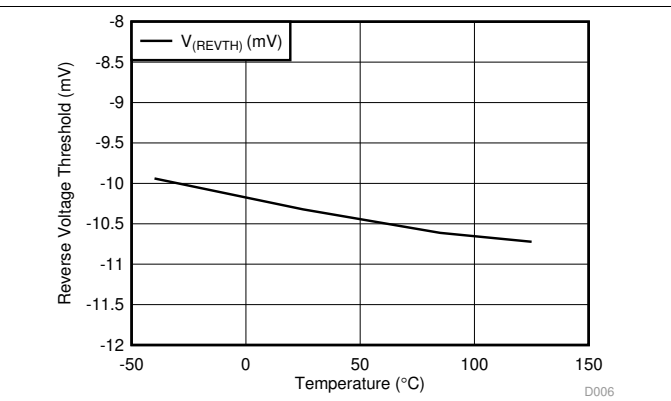


Figure 4. Reverse Voltage Threshold vs Temperature

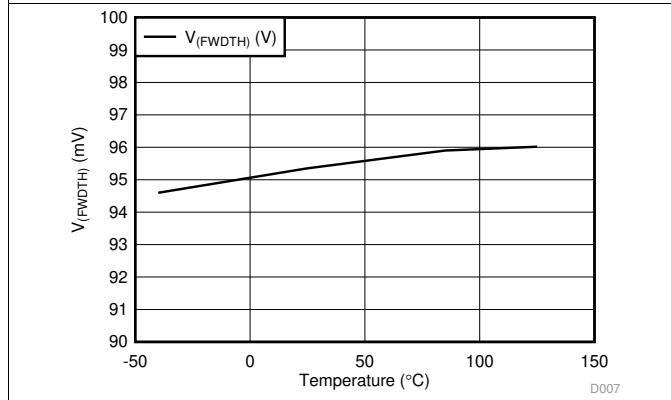


Figure 5. $V_{(FWDTH)}$ vs Temperature

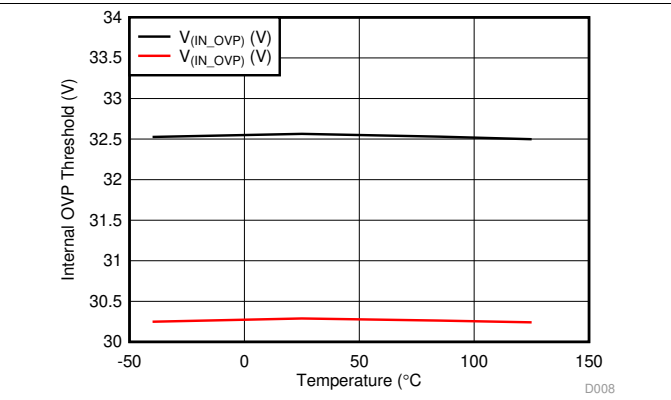


Figure 6. Internal OVP Threshold vs Temperature

Typical Characteristics (continued)

$-40^{\circ}\text{C} \leq T_A = T_J \leq +125^{\circ}\text{C}$, $V_{(IN)} = 24\text{ V}$, $V_{(SHDN)} = 2\text{ V}$, $R_{(ILIM)} = 120\text{ k}\Omega$, $IMON = \overline{FLT} = \text{OPEN}$, $C_{(OUT)} = 1\text{ }\mu\text{F}$, $C_{(dVdT)} = \text{OPEN}$.
(Unless stated otherwise)

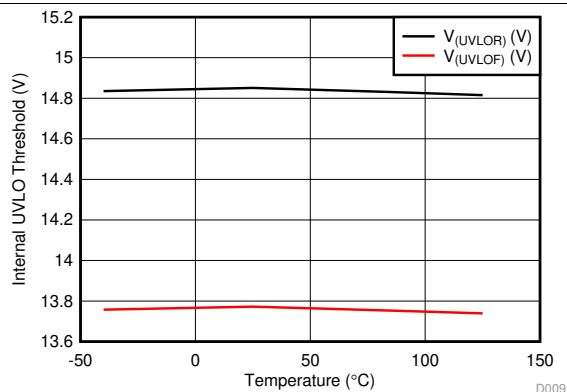


Figure 7. Internal UVLO Threshold vs Temperature

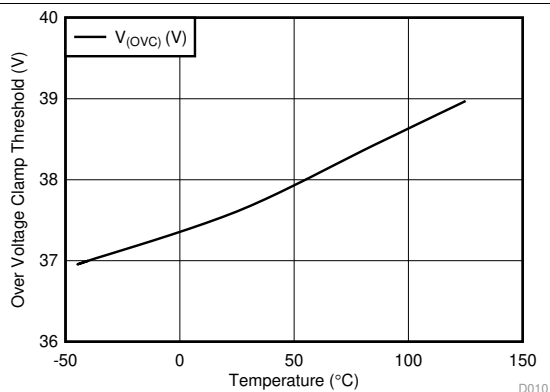


Figure 8. Overvoltage Clamp Threshold vs Temperature

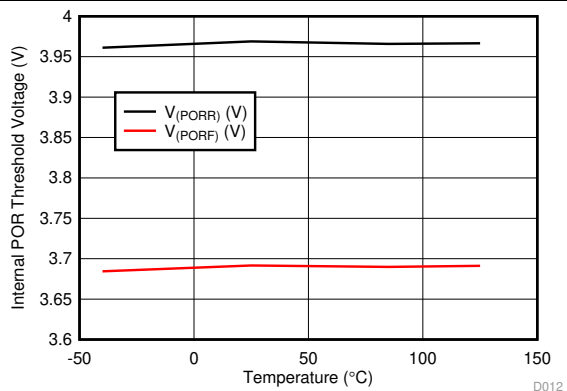


Figure 9. Internal POR Threshold Voltage vs Temperature

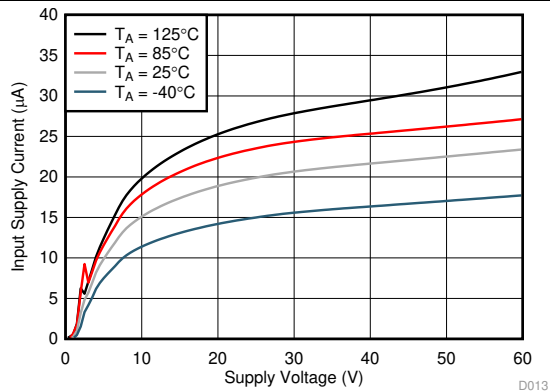


Figure 10. Input Supply Current vs Supply Voltage in Shutdown

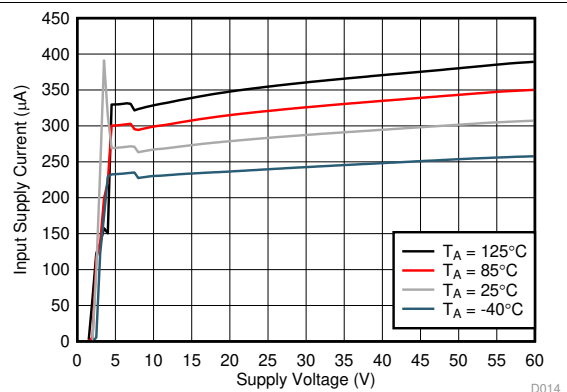


Figure 11. Input Supply Current vs Supply Voltage During Normal Operation

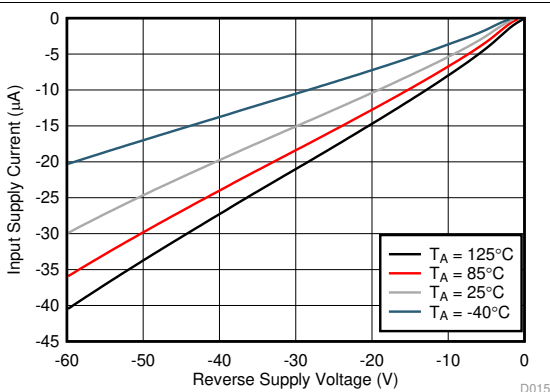


Figure 12. Input Supply Current vs Reverse Supply Voltage, $-V_{(IN)}$

$V_{(OUT)} = 0\text{ V}$

Typical Characteristics (continued)

$-40^{\circ}\text{C} \leq T_A = T_J \leq +125^{\circ}\text{C}$, $V_{(IN)} = 24\text{ V}$, $V_{(SHDN)} = 2\text{ V}$, $R_{(ILIM)} = 120\text{ k}\Omega$, $\text{IMON} = \overline{\text{FLT}} = \text{OPEN}$, $C_{(OUT)} = 1\text{ }\mu\text{F}$, $C_{(dVdT)} = \text{OPEN}$.
(Unless stated otherwise)

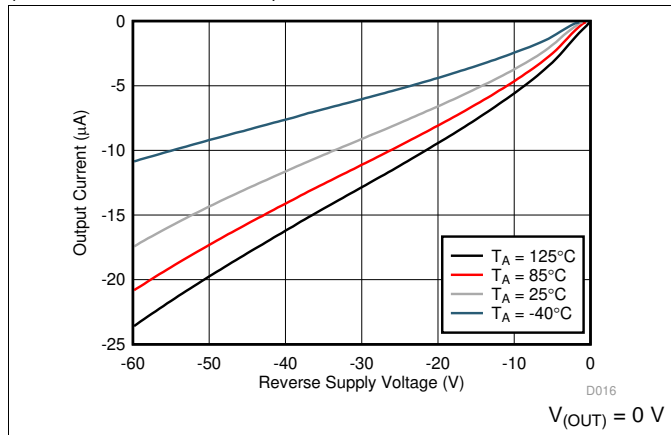


Figure 13. Output Current vs Reverse Supply Voltage, $-V_{(IN)}$

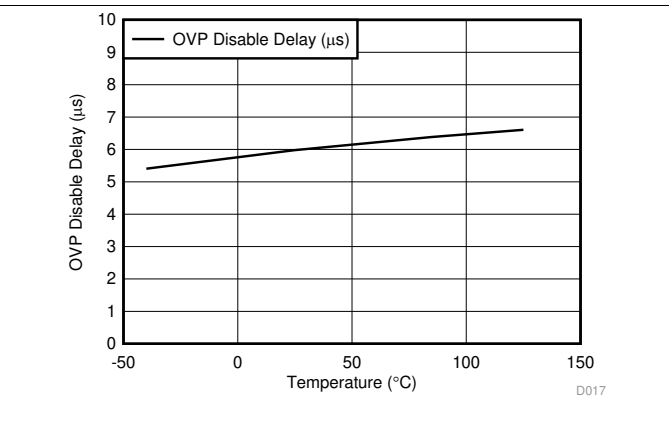


Figure 14. OVP Disable Delay vs Temperature

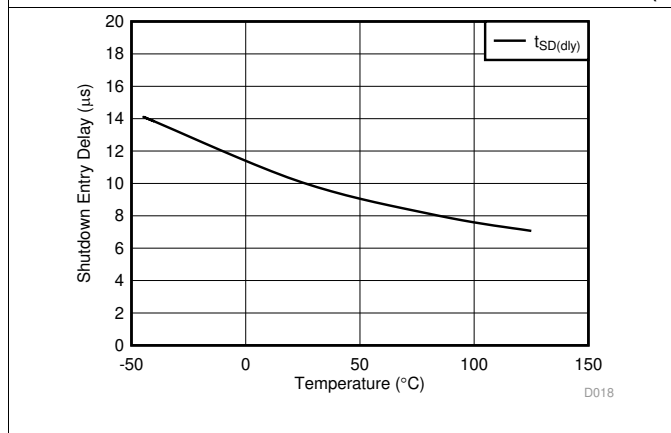


Figure 15. Shutdown Entry Delay vs Temperature

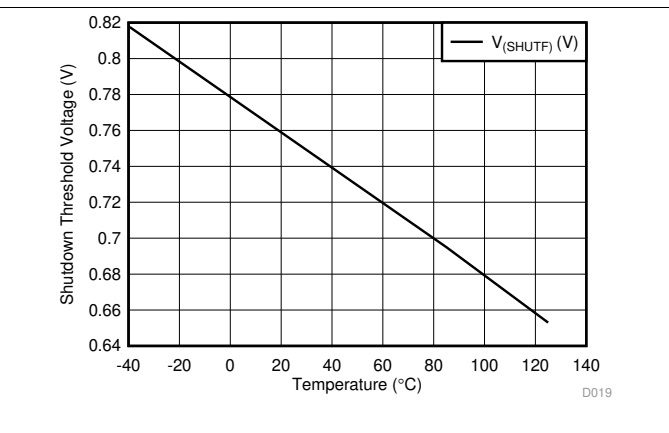


Figure 16. Shutdown Threshold Voltage Shutdown vs Temperature

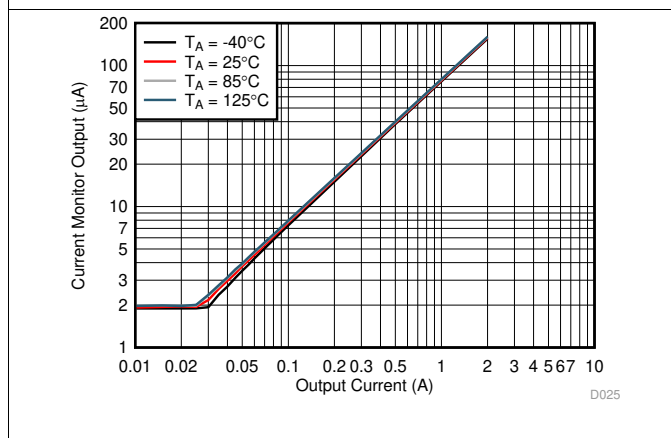


Figure 17. Current Monitor Output vs Output Current

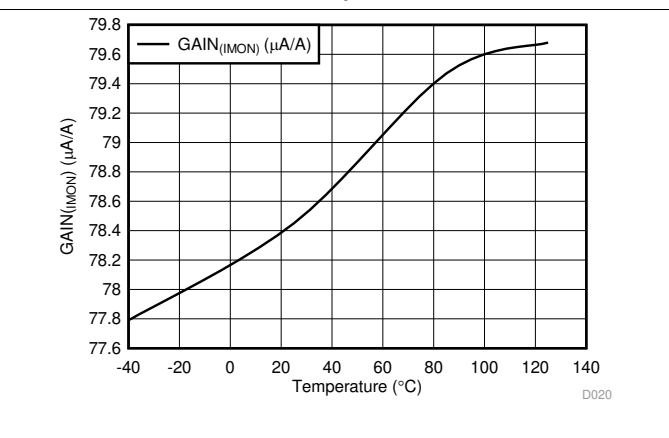


Figure 18. $\text{GAIN}_{(\text{IMON})}$ vs Temperature

Typical Characteristics (continued)

$-40^{\circ}\text{C} \leq T_A = T_J \leq +125^{\circ}\text{C}$, $V_{(IN)} = 24\text{ V}$, $V_{(SHDN)} = 2\text{ V}$, $R_{(ILIM)} = 120\text{ k}\Omega$, $IMON = \overline{FLT} = \text{OPEN}$, $C_{(OUT)} = 1\text{ }\mu\text{F}$, $C_{(dVdT)} = \text{OPEN}$.
(Unless stated otherwise)

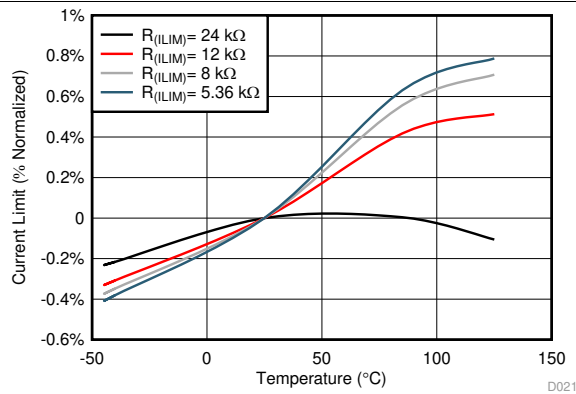


Figure 19. Current Limit (% Normalized) vs Temperature

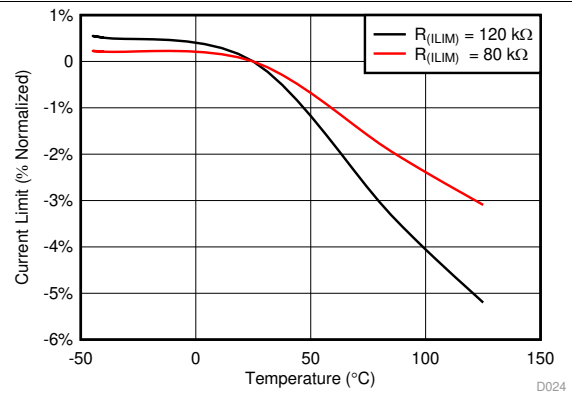


Figure 20. Current Limit (% Normalized) vs Temperature

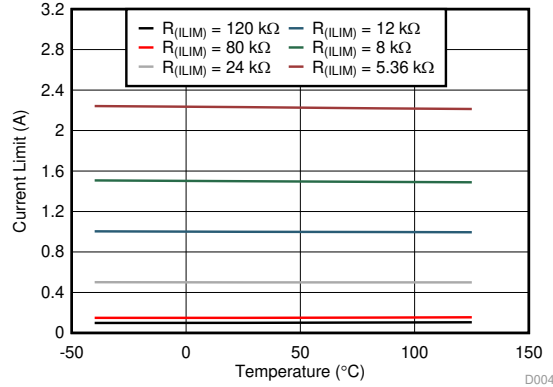


Figure 21. Over Load Current Limit vs Temperature

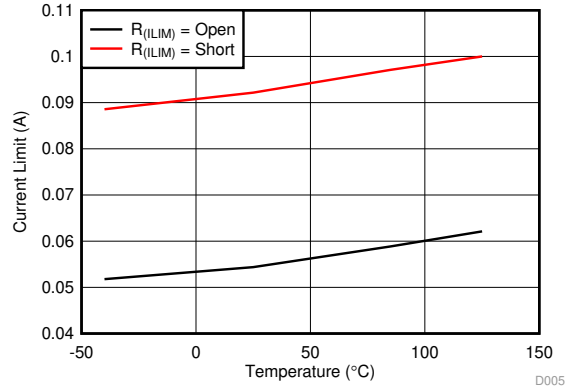


Figure 22. Current Limit for $R_{(ILIM)} = \text{Open}$ and Short vs Temperature

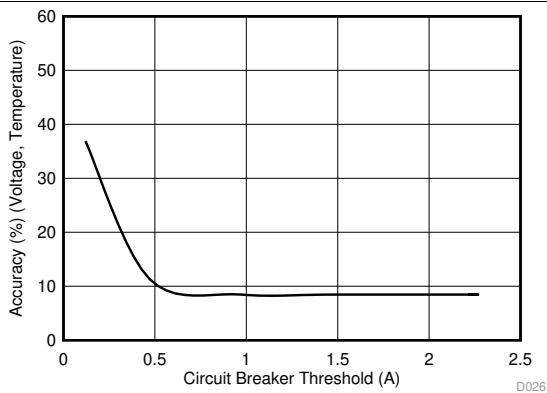


Figure 23. Circuit Breaker Threshold Accuracy vs Circuit Breaker Threshold $I_{(CB)}$

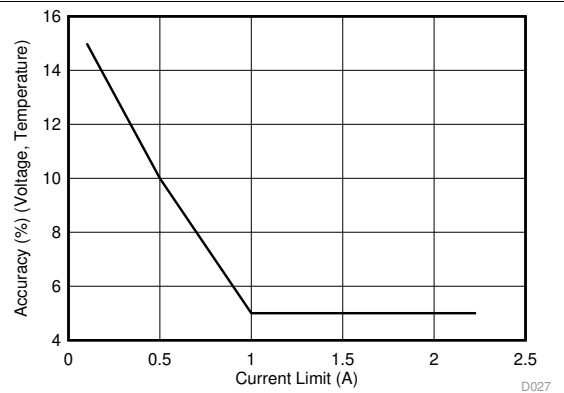


Figure 24. Current Limit Accuracy vs Current Limit, $I_{(OL)}$

Typical Characteristics (continued)

$-40^{\circ}\text{C} \leq T_A = T_J \leq +125^{\circ}\text{C}$, $V_{(IN)} = 24\text{ V}$, $V_{(SHDN)} = 2\text{ V}$, $R_{(ILIM)} = 120\text{ k}\Omega$, $IMON = \overline{FLT} = \text{OPEN}$, $C_{(OUT)} = 1\text{ }\mu\text{F}$, $C_{(dVdT)} = \text{OPEN}$.
(Unless stated otherwise)

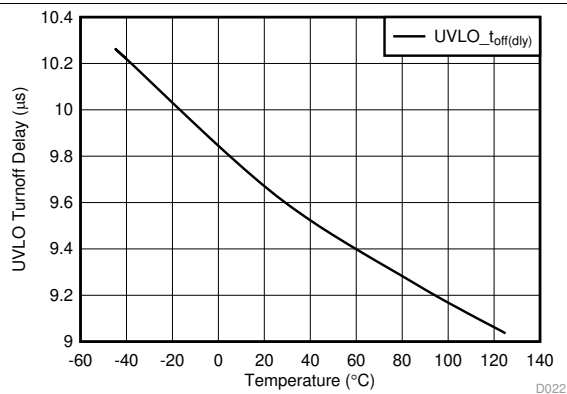
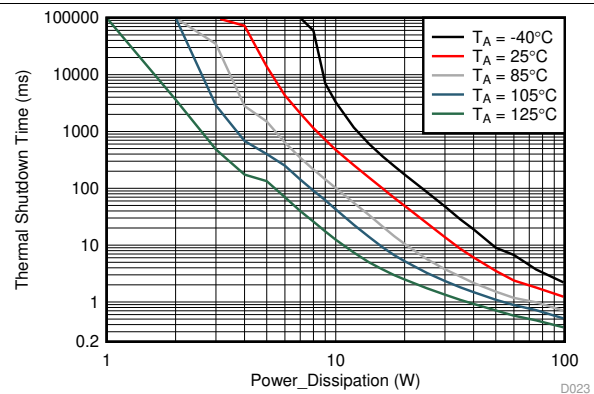
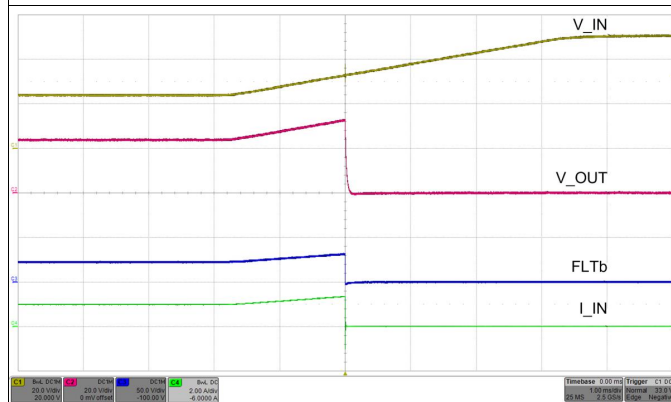


Figure 25. UVLO Turnoff Delay vs Temperature



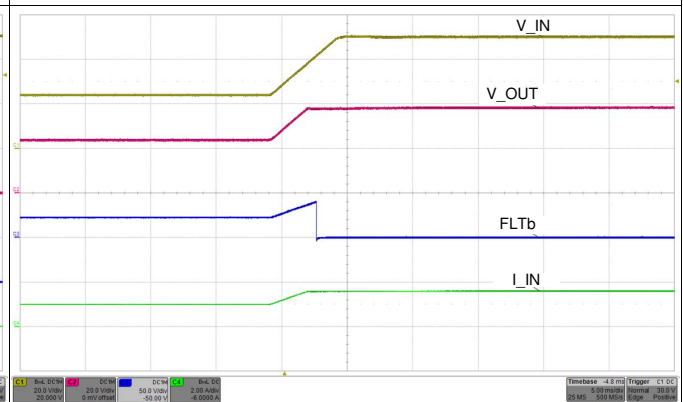
Taken on 2-Layer board, 2 oz.(0.08-mm thick) with HTSSOP device with RTN plane area: 1 cm² (Top) and 4.6 cm² (Bottom)

Figure 26. Thermal Shutdown Time vs Power Dissipation



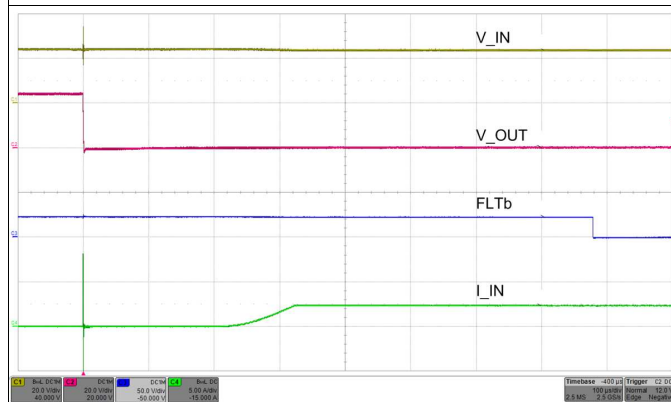
$R_{ILIM} = 5.36\text{ k}\Omega$ OVP Connected to RTN $R_{FLTb} = 100\text{ k}\Omega$ $R_{LOAD} = 24\text{ }\Omega$

Figure 27. OVP Overvoltage Cut-Off Response



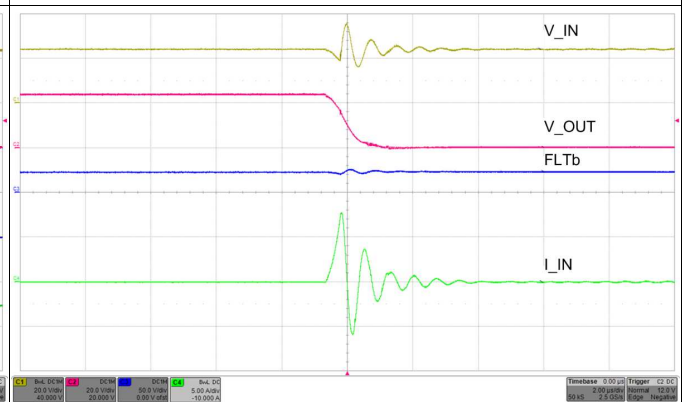
$R_{ILIM} = 5.36\text{ k}\Omega$ $R_{FLTb} = 100\text{ k}\Omega$ $R_{LOAD} = 24\text{ }\Omega$

Figure 28. OV Clamp Response (TPS26602 Only)



$R_{ILIM} = 5.36\text{ k}\Omega$ $R_{FLTb} = 100\text{ k}\Omega$

Figure 29. Hot-Short: Fast Trip Response and Current Regulation

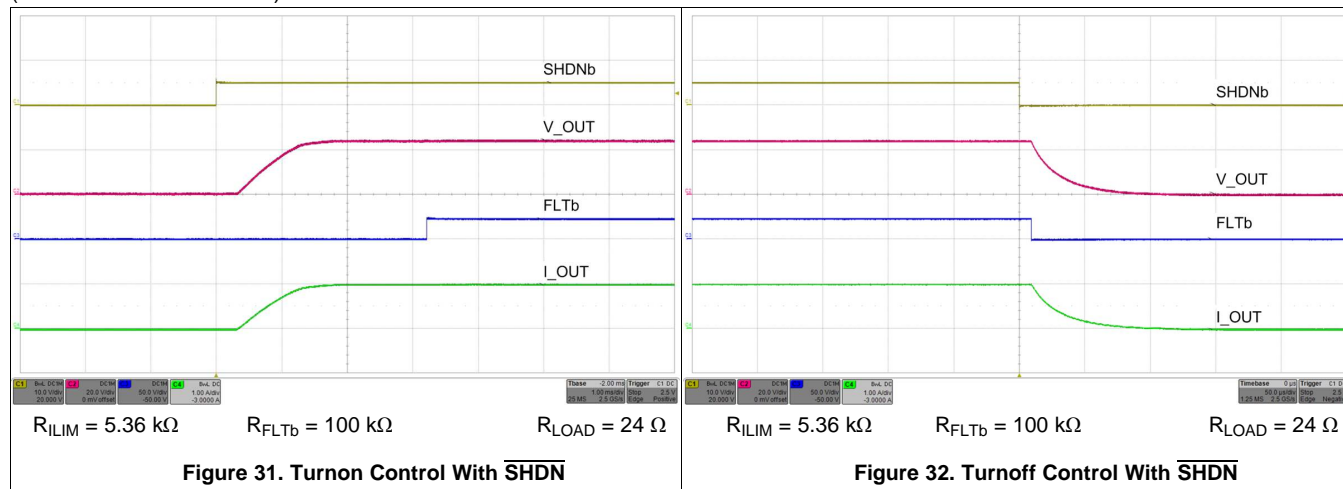


$R_{ILIM} = 5.36\text{ k}\Omega$

Figure 30. Hot-Short: Fast Trip Response (Zoomed)

Typical Characteristics (continued)

$-40^{\circ}\text{C} \leq T_A = T_J \leq +125^{\circ}\text{C}$, $V_{(IN)} = 24\text{ V}$, $V_{(\overline{\text{SHDN}})} = 2\text{ V}$, $R_{(ILIM)} = 120\text{ k}\Omega$, $\overline{\text{IMON}} = \overline{\text{FLT}} = \text{OPEN}$, $C_{(OUT)} = 1\text{ }\mu\text{F}$, $C_{(dVdT)} = \text{OPEN}$.
(Unless stated otherwise)



8 Parameter Measurement Information

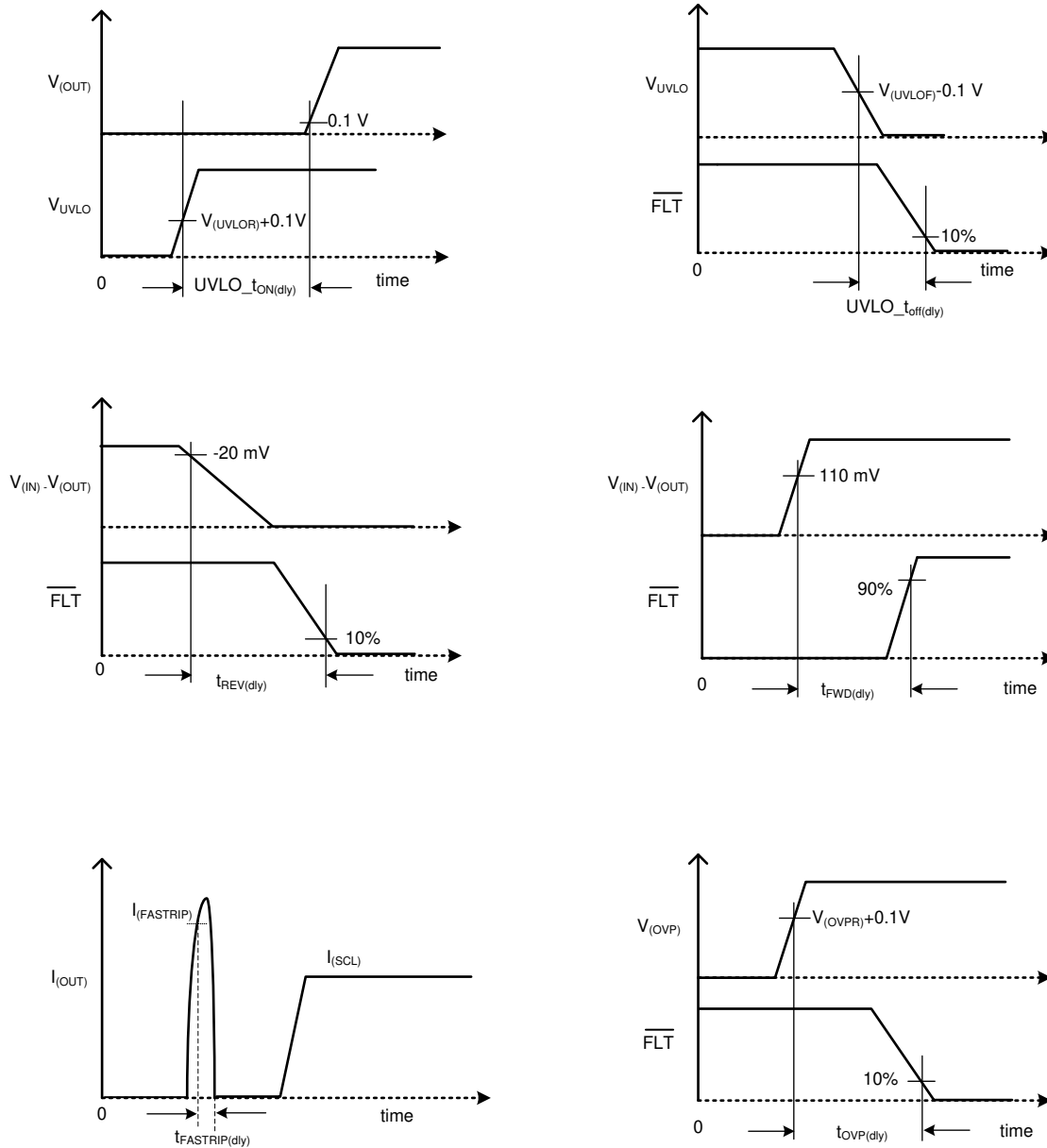


Figure 33. Timing Waveforms

9 Detailed Description

9.1 Overview

The TPS2660x is a family of high voltage industrial eFuses with integrated back-to-back MOSFETs and enhanced built-in protection circuitry. It provides robust protection for all systems and applications powered from 4.2 V to 60 V. The device can withstand ± 60 V positive and negative supply voltages without damage. For hot-pluggable boards, the device provides hot-swap power management with in-rush current control and programmable output voltage slew rate features. Load, source and device protections are provided with many programmable features including overcurrent, overvoltage, undervoltage. The precision overcurrent limit ($\pm 5\%$ at 1 A) helps to minimize over design of the input power supply, while the fast response short circuit protection 250 ns (typical) immediately isolates the faulty load from the input supply when a short circuit is detected.

The internal robust protection control blocks of the TPS2660x along with its ± 60 V rating helps to simplify the system designs for the surge compliance ensuring complete protection of the load and the device.

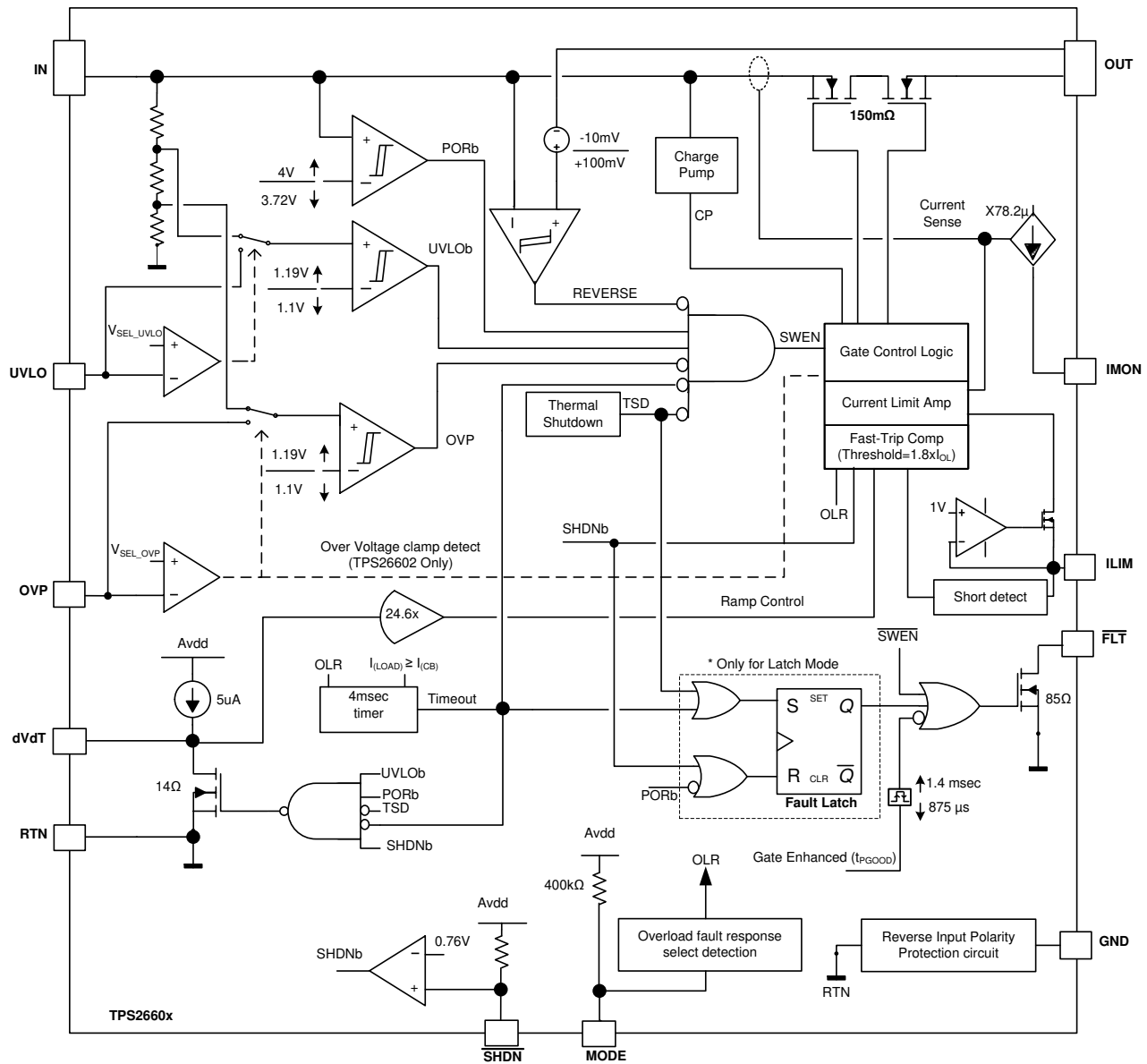
The device provides precise monitoring of voltage bus for brown-out and overvoltage conditions and asserts fault signal for the downstream system. The TPS2660x monitor functions threshold accuracy of $\pm 3\%$ ensures tight supervision of the supply bus, eliminating the need for a separate supply voltage supervisor chip.

The device monitors $V_{(IN)}$ and $V_{(OUT)}$ to provide true reverse current blocking when a reverse condition or input power failure condition is detected. The TPS2660x is also designed to control redundant power supply systems. A pair of TPS2660x devices can be configured for Active ORing between the main power supply and the auxiliary power supply, (see the [System Examples](#) section).

Additional features of the TPS2660x include:

- Current monitor output for health monitoring of the system
- Electronic circuit breaker operation with overload timeout using MODE pin
- A choice of latch off or automatic restart mode response during current limit fault using MODE pin
- Over temperature protection to safely shutdown in the event of an overcurrent event
- De-glitched fault reporting for brown-out and overvoltage faults
- Look ahead overload current fault indication (see the [Look Ahead Overload Current Fault Indicator](#) section)

9.2 Functional Block Diagram



9.3 Feature Description

9.3.1 Undervoltage Lockout (UVLO)

Undervoltage comparator input. When the voltage at UVLO pin falls below $V_{(UVLOF)}$ during input power fail or input undervoltage fault, the internal FET quickly turns off and FLT is asserted. The UVLO comparator has a hysteresis of 90 mV. To set the input UVLO threshold, connect a resistor divider network from IN supply to UVLO terminal to RTN as shown in Figure 34.

Feature Description (continued)

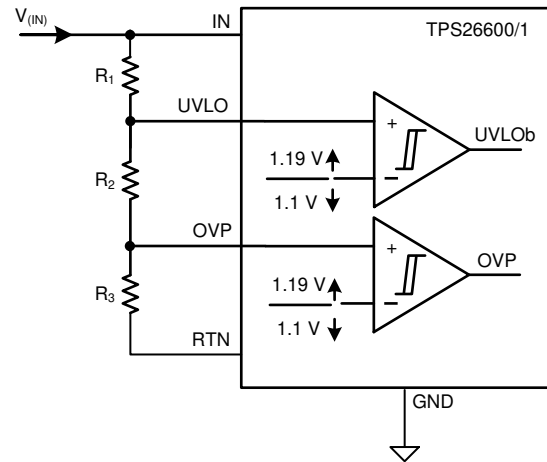


Figure 34. UVLO and OVP Thresholds Set by R_1 , R_2 and R_3

The TPS2660x also features a factory set 15-V input supply undervoltage lockout $V_{(IN_UVLO)}$ threshold with 1 V hysteresis. This feature can be enabled by connecting the UVLO terminal directly to the RTN terminal. If the Under-Voltage Lock-Out function is not needed, the UVLO terminal must be connected to the IN terminal. UVLO terminal must not be left floating.

The device also implements an internal power ON reset (POR) function on the IN terminal. The device disables the internal circuitry when the IN terminal voltage falls below internal POR threshold $V_{(PORF)}$. The internal POR threshold has a hysteresis of 275 mV.

9.3.2 Overvoltage Protection (OVP)

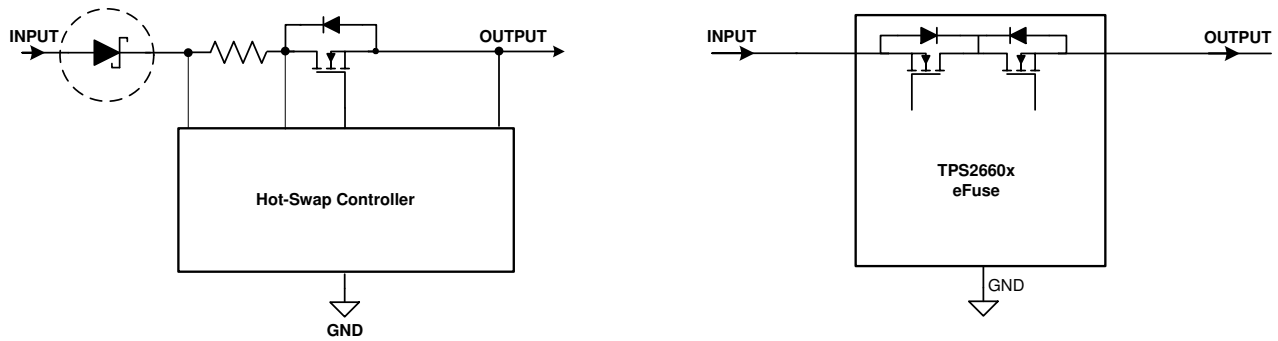
The TPS2660x incorporate circuitry to protect the system during overvoltage conditions. The TPS26600 and TPS26601 feature overvoltage cut off functionality. A voltage more than $V_{(OVPR)}$ on OVP pin turns off the internal FET and protects the downstream load. To program the OVP threshold externally, connect a resistor divider from IN supply to OVP terminal to RTN as shown in [Figure 34](#). The TPS26600 and TPS26601 also feature a factory set 33-V Input overvoltage cut off $V_{(IN_OVP)}$ threshold with a 2-V hysteresis. This feature can be enabled by connecting the OVP terminal directly to the RTN terminal. [Figure 27](#) illustrates the overvoltage cut-off functionality.

The TPS26602 features an internally fixed 38 V overvoltage clamp ($V_{(OVC)}$) functionality. The OVP terminal of the TPS26602 must be connected to the RTN terminal directly. The TPS26602 clamps the output voltage to $V_{(OVC)}$, when the input voltage exceeds 38 V. During the output voltage clamp operation, the power dissipation in the internal MOSFET is $P_D = (V_{IN} - V_{(OVC)}) \times I_{OUT}$. Excess power dissipation for prolonged period can make the device to enter into thermal shutdown. [Figure 28](#) illustrates the overvoltage clamp functionality.

9.3.3 Reverse Input Supply Protection

To protect the electronic systems from reverse input supply due to miswiring, often a power component like a schottky diode is added in series with the supply line as shown in [Figure 35](#). These additional discretes result in a lossy and bulky protection solution. The TPS2660x devices feature fully integrated reverse input supply protection and does not need an additional diode. These devices can withstand -60 V reverse voltage without damage. [Figure 36](#) illustrates the reverse input polarity protection functionality.

Feature Description (continued)



Copyright © 2016, Texas Instruments Incorporated

Figure 35. Reverse Input Supply Protection Circuits - Discrete vs TPS2660x

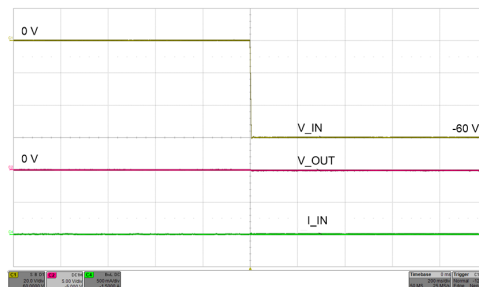


Figure 36. Reverse Input Supply Protection at -60 V

9.3.4 Hot Plug-In and In-Rush Current Control

The devices are designed to control the in-rush current upon insertion of a card into a live backplane or other "hot" power source. This limits the voltage sag on the backplane's supply voltage and prevents unintended resets of the system power. The controlled start-up also helps to eliminate conductive and radiative interferences. An external capacitor connected from the dVdT pin to RTN defines the slew rate of the output voltage at power-on as shown in Figure 37 and Figure 38.

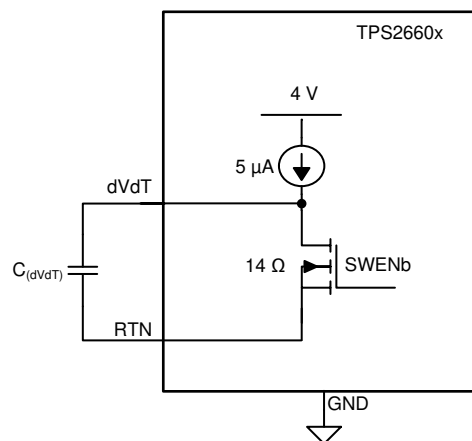


Figure 37. Output Ramp Up Time t_{dVdT} is Set by C_{dVdT}

Feature Description (continued)

The dVdT pin can be left floating to obtain a predetermined slew rate (t_{dVdT}) on the output. When the terminal is left floating, the devices set an internal output voltage ramp rate of 23.9 V/1.6 ms. A capacitor can be connected from dVdT pin to RTN to program the output voltage slew rate slower than 23.9 V/1.6 ms. Use Equation 1 and Equation 2 to calculate the external $C_{(dVdT)}$ capacitance.

Equation 1 governs slew rate at start-up.

$$I_{(dVdT)} = \left(\frac{C_{(dVdT)}}{\text{Gain}_{(dVdT)}} \right) \times \left(\frac{dV_{(OUT)}}{dt} \right)$$

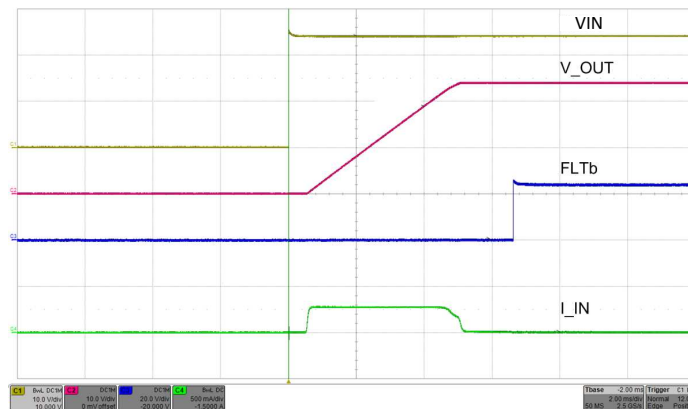
where

- $I_{(dVdT)} = 4.7 \mu\text{A}$ (typical)
 - $\frac{dV_{(OUT)}}{dt}$
 - $\text{Gain}_{(dVdT)} = \text{dVdT to } V_{OUT} \text{ gain} = 24.6$
- (1)

The total ramp time (t_{dVdT}) of $V_{(OUT)}$ for 0 to $V_{(IN)}$ can be calculated using Equation 2.

$$t_{dVdT} = 8 \times 10^3 \times V_{(IN)} \times C_{(dVdT)}$$

(2)



$$C_{dVdT} = 22 \text{ nF} \quad C_{OUT} = 47 \mu\text{F} \quad R_{LIM} = 5.36 \text{ k}\Omega$$

Figure 38. Hot Plug-In and In-Rush Current Control at 24-V Input

9.3.5 Overload and Short Circuit Protection

The device monitors the load current by sensing the voltage across the internal sense resistor. The FET current is monitored during start-up and normal operation.

9.3.5.1 Overload Protection

The device offers following choices for the overload protection fault response:

- Active current limiting (Auto-retry/Latch-off modes)
- Electronic Circuit Breaker with overload timeout (Auto-retry/Latch-off modes)

See the configurations in Table 1 to select a specific overload fault response.

Table 1. Overload Fault Response Configuration Table

| MODE Pin Configuration | Overload Protection Type | Device |
|------------------------|--|--------------------|
| Open | Electronic circuit breaker with auto-retry | TPS26600, TPS26602 |
| | Electronic circuit breaker with latch-off | TPS26601 |

Feature Description (continued)

Table 1. Overload Fault Response Configuration Table (continued)

| MODE Pin Configuration | Overload Protection Type | Device |
|--|---|------------------------------|
| Shorted to RTN | Active current limiting with auto-retry | TPS26600, TPS26601, TPS26602 |
| A 402-kΩ resistor across MODE pin to RTN pin | Active current limiting with latch-off | TPS26600, TPS26601, TPS26602 |

9.3.5.1.1 Active Current Limiting

When the active current limiting mode is selected, during overload events, the device continuously regulates the load current to the overcurrent limit $I_{(OL)}$ programmed by the $R_{(ILIM)}$ resistor as shown in Equation 3.

$$I_{OL} = \frac{12}{R_{(ILIM)}}$$

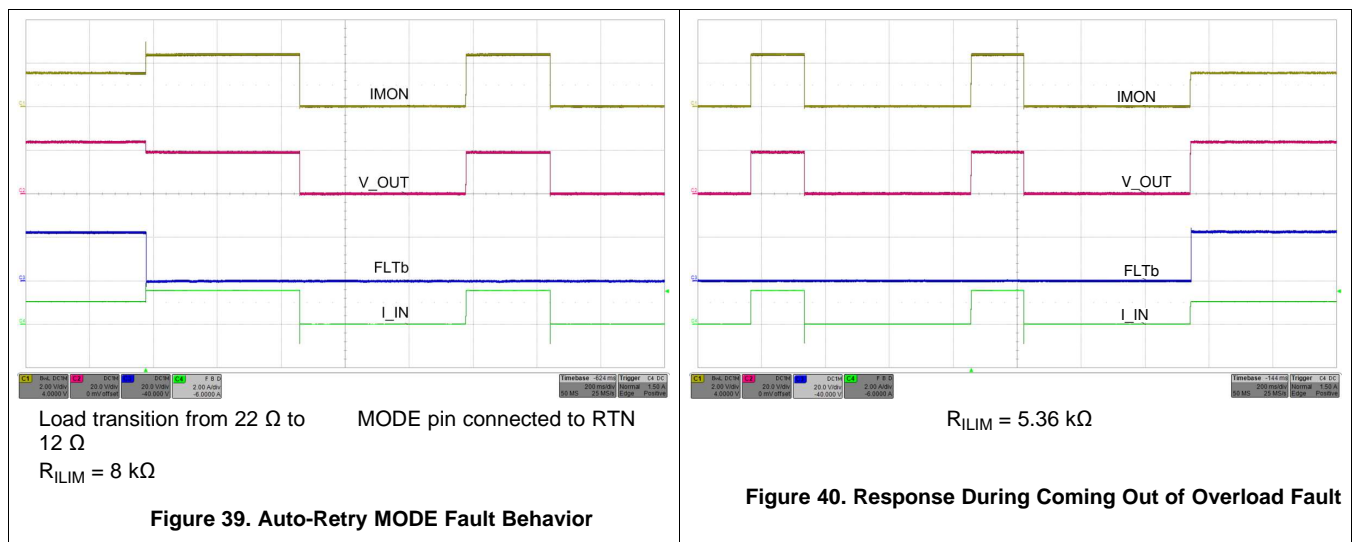
where

- $I_{(OL)}$ is the overload current limit in Ampere
- $R_{(ILIM)}$ is the current limit resistor in kΩ (3)

During an overload condition, the internal current-limit amplifier regulates the output current to $I_{(LIM)}$. The \overline{FLT} signal asserts after a delay of 875 μs. The output voltage droops during the current regulation, resulting in increased power dissipation in the device. If the device junction temperature reaches the thermal shutdown threshold ($T_{(TSD)}$), the internal FET is turn off. The device configured in latch-off mode stays latched off until it is reset by either of the following conditions:

- Cycling $V_{(IN)}$ below $V_{(PORF)}$
- Toggling \overline{SHDN}

Whereas the device configured in auto-retry mode, commences an auto-retry cycle 512 ms after $T_J < [T_{(TSD)} - 10^\circ C]$. The \overline{FLT} signal remains asserted until the fault condition is removed and the device resumes normal operation. Figure 39 and Figure 40 illustrates behavior of the system during current limiting with auto-retry functionality.



9.3.5.1.2 Electronic Circuit Breaker with Overload Timeout, MODE = OPEN

In this mode, during overload events, the device allows the overload current to flow through the device until $I_{(LOAD)} < I_{(FASTRIP)}$. The circuit breaker threshold $I_{(CB)}$ can be programmed using the $R_{(ILIM)}$ resistor as shown in Equation 4.

$$I_{(CB)} = \frac{12}{R_{(ILIM)}} + 0.03A$$

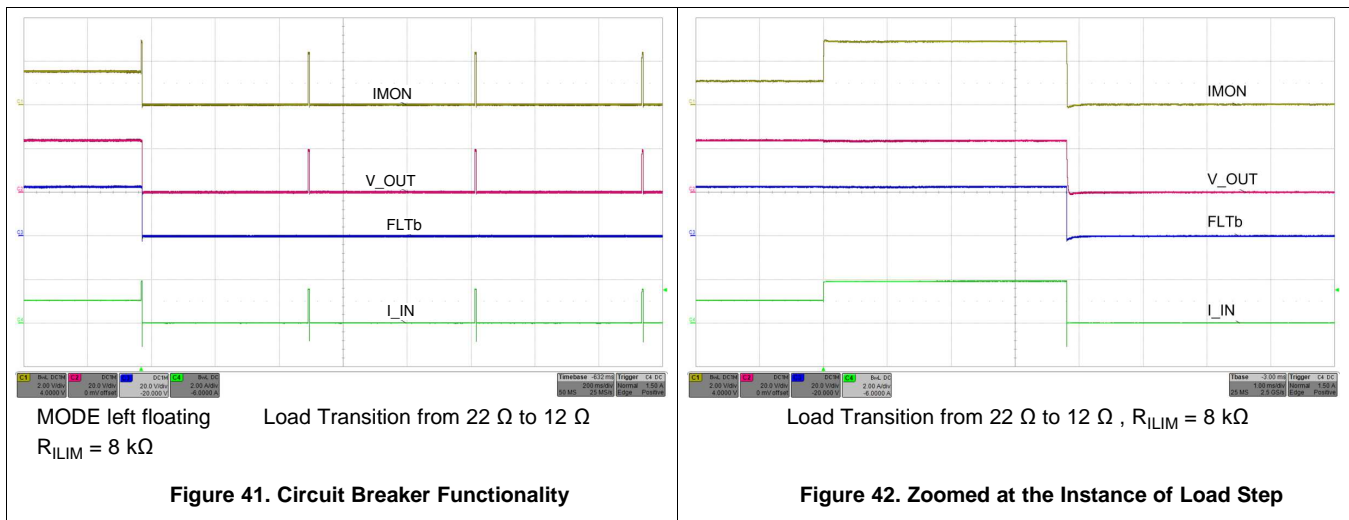
where

- $I_{(CB)}$ is circuit breaker current threshold in Ampere
 - $R_{(ILIM)}$ is the current limit resistor in k Ω
- (4)

An internal timer starts when $I_{(CB)} < I_{LOAD} < I_{FASTRIP}$, and when the timer exceeds $t_{CB(dly)}$, the device turns OFF the internal FET and \overline{FLT} is asserted. Once the internal FET is turned off, the device configured in latch-off mode stays latched off, until it is reset by either of the following conditions:

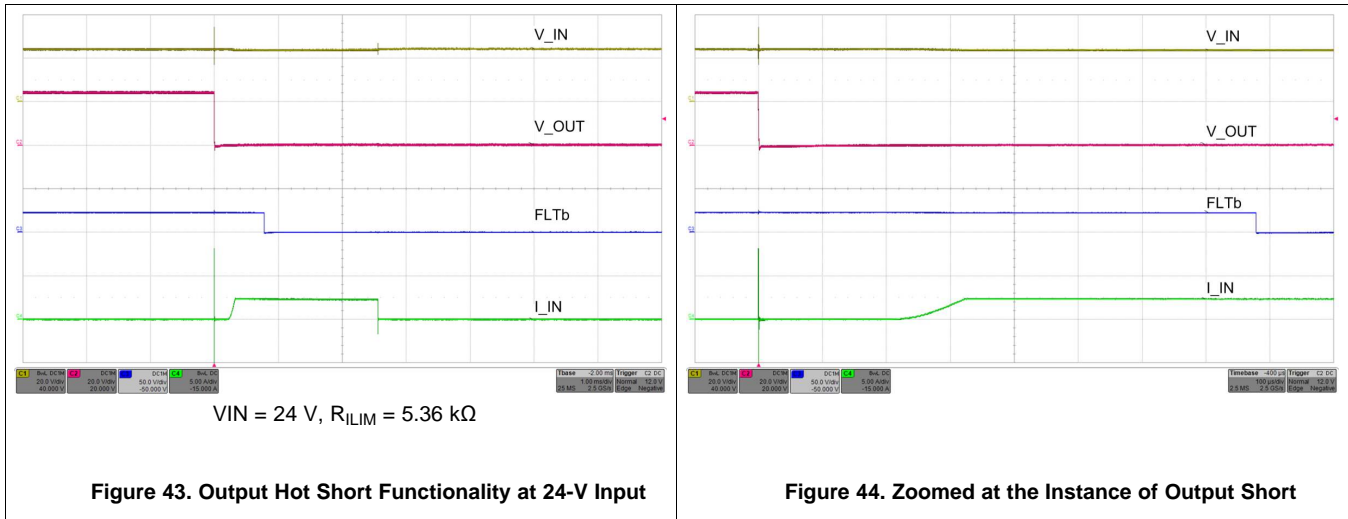
- Cycling $V_{(IN)}$ falling below $V_{(PORF)}$
- Toggling \overline{SHDN}

whereas the device configured in auto-retry mode, commences an auto-retry cycle after 540 ms. The \overline{FLT} signal remains asserted until the fault condition is removed and the device resumes normal operation. Figure 41 and Figure 42 illustrate behavior of the system during electronic circuit breaker with auto-retry functionality.



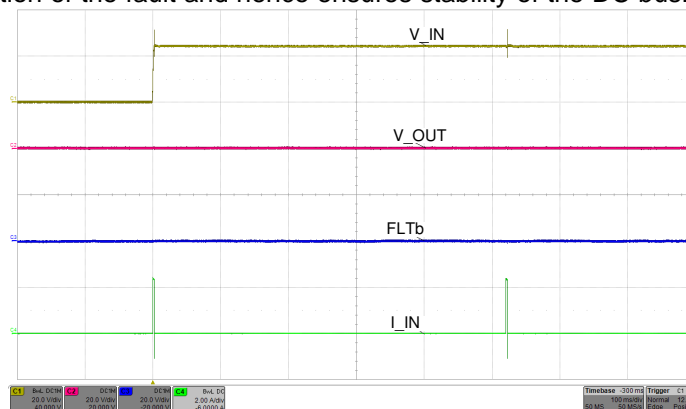
9.3.5.2 Short Circuit Protection

During a transient output short circuit event, the current through the device increases very rapidly. As the current-limit amplifier cannot respond quickly to this event due to its limited bandwidth, the device incorporates a fast-trip comparator, with a threshold $I_{(FASTRIP)}$. The fast-trip comparator turns off the internal FET within 250 ns (typical), when the current through the FET exceeds $I_{(FASTRIP)}$ ($I_{(OUT)} > I_{(FASTRIP)}$), and terminates the rapid short-circuit peak current. The fast-trip threshold is internally set to 87% higher than the programmed overload current limit ($I_{(FASTRIP)} = 1.87 \times I_{(OL)} + 0.015$). The fast-trip circuit holds the internal FET off for only a few microseconds, after which the device turns back on slowly, allowing the current-limit loop to regulate the output current to $I_{(OL)}$. Then, device behaves similar to overload condition. Figure 43 and Figure 44 illustrate the behavior of the system when the current exceeds the fast-trip threshold.



9.3.5.2.1 Start-Up With Short-Circuit On Output

When the device is started with short-circuit on the output, it limits the load current to the current limit $I_{(OL)}$ and behaves similar to the overload condition. Figure 45 illustrates the behavior of the device in this condition. This feature helps in quick isolation of the fault and hence ensures stability of the DC bus.



MODE pin connected to RTN
 VIN = 24 V R_{ILIM} = 5.36 kΩ
Figure 45. Start-Up With Short on Output

9.3.5.3 FAULT Response

The \overline{FLT} open-drain output asserts (active low) under following conditions:

- Fault events such as undervoltage, overvoltage, over load, reverse current and thermal shutdown conditions
- When the device enters low current shutdown mode when \overline{SHDN} is pulled low
- During start-up when the internal FET GATE is not fully enhanced

The device is designed to eliminate false reporting by using an internal "de-glitch" circuit for fault conditions without the need for an external circuitry.

The \overline{FLT} signal can also be used as Power Good indicator to the downstream loads like DC-DC converters. An internal Power Good (PGOOD) signal is OR'd with the fault logic. During start-up, when the device is operating in dVdT mode, PGOOD and FLT remains low and is de-asserted after the dVdT mode is completed and the internal FET is fully enhanced. The PGOOD signal has deglitch time incorporated to ensure that internal FET is fully enhanced before heavy load is applied by the downstream converters. Rising deglitch delay is determined by $t_{PGOOD(deg)} = \text{Maximum} \{ (875 + 20 \times C_{(dVdT)}), t_{PGOODR} \}$, where $C_{(dVdT)}$ is in nF and $t_{PGOOD(deg)}$ is in μs . \overline{FLT} can be left open or connected to RTN when not used. $V_{(IN)}$ falling below $V_{(PORF)} = 3.72 \text{ V}$ resets \overline{FLT} .

In case of reverse input polarity fault, care should be taken while interfacing $\overline{\text{FLT}}$ pin to the downstream I/O. Refer to the application report, *Fault Handling Using TPS2660 eFuse* for further information.

9.3.5.3.1 Look Ahead Overload Current Fault Indicator

With the device configured in current limit operation and when the overload condition exists for more than t_{PGOODF} , 875 μs (typical), the $\overline{\text{FLT}}$ asserts to warn of impending turnoff of the internal FETs due to the subsequent thermal shutdown event. Figure 46 and Figure 47 depict this behavior. The $\overline{\text{FLT}}$ signal remains asserted until the fault condition is removed and the device resumes normal operation.

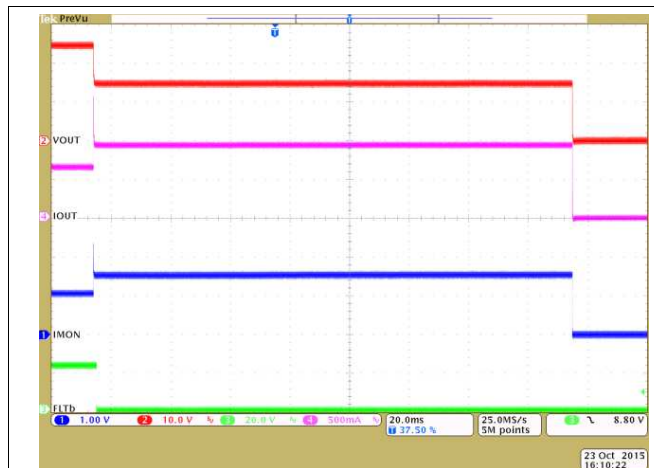


Figure 46. Look Ahead Overload Current Fault Indication

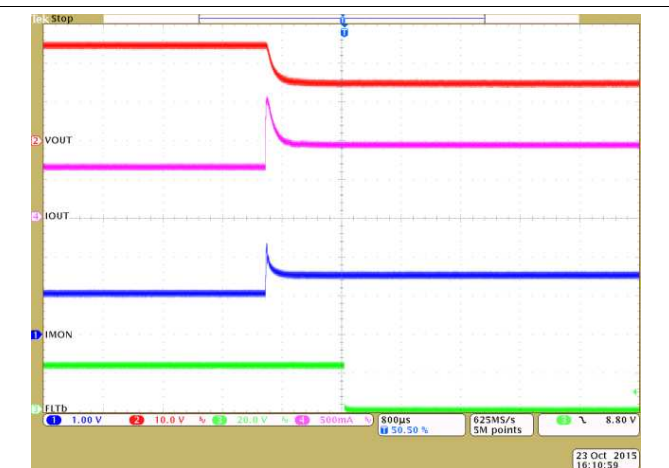


Figure 47. Output Turnoff Due to Thermal Shutdown With $\overline{\text{FLT}}$ Asserted in Advance

9.3.5.4 Current Monitoring

The current source at IMON terminal is internally configured to be proportional to the current flowing from IN to OUT. This current can be converted into a voltage using a resistor $R_{(\text{IMON})}$ from IMON terminal to RTN terminal. The IMON voltage can be used as a means of monitoring current flow through the system. The maximum voltage range ($V_{(\text{IMONmax})}$) for monitoring the current is limited to minimum of $(V_{(\text{IN})} - 1.5 \text{ V}, 4 \text{ V})$ to ensure linear output. This puts a limitation on maximum value of $R_{(\text{IMON})}$ resistor and is determined by Equation 5.

$$R_{(\text{IMONmax})} = \frac{\text{Min} [(V_{(\text{IN})} - 1.5), 4 \text{ V}]}{1.8 \times I_{(\text{LIM})} \times \text{GAIN}_{(\text{IMON})}} \quad (5)$$

The output voltage at IMON terminal is calculated using Equation 6 and Equation 7.

For $I_{\text{OUT}} > 50 \text{ mA}$,

$$V_{(\text{IMON})} = [I_{(\text{OUT})} \times \text{GAIN}_{(\text{IMON})}] \times R_{(\text{IMON})}$$

Where,

- $\text{GAIN}_{(\text{IMON})}$ is the gain factor $I_{(\text{IMON})} : I_{(\text{OUT})} = 78.4 \mu\text{A/A}$ (Typical)
- $I_{(\text{OUT})}$ is the load current
- $I_{(\text{MON_OS})} = 2 \mu\text{A}$ (Typical)

For $I_{\text{OUT}} < 50 \text{ mA}$ (typical), use Equation 7.

$$V_{(\text{IMON})} = (I_{(\text{MON_OS})}) \times R_{(\text{IMON})} \quad (7)$$

This pin must not have a bypass capacitor to avoid delay in the current monitoring information.

In case of reverse input polarity fault, an external 100-kΩ resistor is recommended between IMON pin and ADC input to limit the current through the ESD protection structures of the ADC.

9.3.5.5 IN, OUT, RTN, and GND Pins

The device has two pins for input (IN) and output (OUT). All IN pins must be connected together and to the power source. A ceramic bypass capacitor close to the device from IN to GND is recommended to alleviate bus transients. The recommended input operating voltage range is 4.2 to 60 V. Similarly all OUT pins must be connected together and to the load. $V_{(OUT)}$, in the ON condition, is calculated using Equation 8.

$$V_{(OUT)} = V_{(IN)} - (RON \times I_{(OUT)})$$

Where,

- RON is the total ON resistance of the internal FETs. (8)

GND pin must be connected to the system ground. RTN is the device ground reference for all the internal control blocks. Connect the TPS2660x support components: $R_{(ILIM)}$, $C_{(dVdT)}$, $R_{(IMON)}$, $R_{(MODE)}$ and resistors for UVLO and OVP with respect to the RTN pin. Internally, the device has reverse input polarity protection block between RTN and the GND terminal. Connecting RTN pin to GND pin disables the reverse input polarity protection feature and the TPS2660x gets permanently damaged when operated under this fault event.

9.3.5.6 Thermal Shutdown

The device has a built-in overtemperature shutdown circuitry designed to protect the internal FETs, if the junction temperature exceeds $T_{(TSD)}$. After the thermal shutdown event, depending upon the mode of fault response, the device either latches off or commences an auto-retry cycle 512 ms after $T_J < [T_{(TSD)} - 10^\circ\text{C}]$. During the thermal shutdown, the fault pin \overline{FLT} pulls low to indicate a fault condition.

9.3.5.7 Low Current Shutdown Control (\overline{SHDN})

The internal FETs and hence the load current can be switched off by pulling the \overline{SHDN} pin below 0.76 V threshold with a micro-controller GPIO pin or can be controlled remotely with an opto-isolator device as shown in Figure 48 and Figure 49. The device quiescent current reduces to 20 μA (typical) in shutdown state. To assert \overline{SHDN} low, the pull down must sink at least 10 μA at 400 mV. To enable the device, \overline{SHDN} must be pulled up to at least 1 V. Once the device is enabled, the internal FETs turn on with dVdT mode.

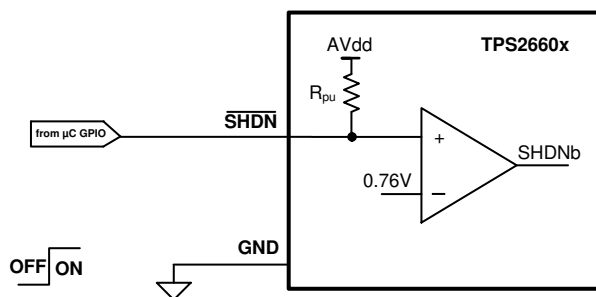


Figure 48. Shutdown Control

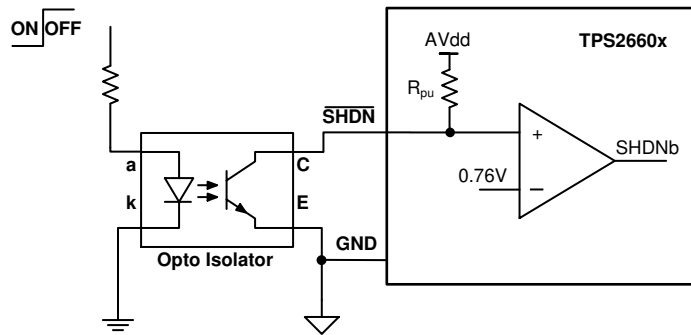


Figure 49. Opto-Isolator Shutdown Control

9.4 Device Functional Modes

The TPS26600, TPS26601 and TPS26602 respond differently to overload and short circuit conditions. The operational differences are explained in Table 2.

Table 2. Device Operational Differences Under Different MODE Configurations

| MODE Pin Configuration | MODE Connected to RTN (Current Limit With Auto-Retry) | A 402-kΩ Resistor Connected between MODE and RTN Pins (Current Limit With Latchoff) | MODE Pin = Open (Circuit Breaker with Auto-Retry - TPS26600 and TPS26602), (Circuit Breaker With Latch - TPS26601 Only) |
|------------------------|---|---|---|
| Start-up | Inrush current controlled by dVdT | | |
| | Inrush limited to $I_{(OL)}$ level as set by $R_{(ILIM)}$ | Inrush limited to $I_{(OL)}$ level as set by $R_{(ILIM)}$ | Inrush limited to $I_{(OL)}$ level as set by $R_{(ILIM)}$ |
| | | | Fault timer runs when current is limited to $I_{(OL)}$ |
| | | | Fault timer expires after $t_{CB(dly)}$ causing the FETs to turnoff |
| | If $T_J > T_{(TSD)}$, device turns off | If $T_J > T_{(TSD)}$, device turns off | Device turns off if $T_J > T_{(TSD)}$ before timer expires |
| Overcurrent response | Current is limited to $I_{(OL)}$ level as set by $R_{(ILIM)}$ | Current is limited to $I_{(OL)}$ level as set by $R_{(ILIM)}$ | Current is allowed through the device if $I_{(LOAD)} < I_{(FASTTRIP)}$ |
| | Power dissipation increases as $V_{(IN)} - V_{(OUT)}$ increases | Power dissipation increases as $V_{(IN)} - V_{(OUT)}$ increases | Fault timer runs when the current increases above $I_{(OL)}$ |
| | | | Fault timer expires after $t_{CB(dly)}$ causing the FETs to turnoff |
| | Device turns off when $T_J > T_{(TSD)}$ | Device turns off when $T_J > T_{(TSD)}$ | Device turns off if $T_J > T_{(TSD)}$ before timer expires |
| | Device attempts restart 540 ms after $T_J < [T_{(TSD)} - 10^\circ\text{C}]$ | Device remains off | TPS26600 and TPS26602 attempt restart 540 ms after $T_J < [T_{(TSD)} - 10^\circ\text{C}]$. TPS26601 remains off |
| Short-circuit response | Fast turnoff when $I_{(LOAD)} > I_{(FASTTRIP)}$ | | |
| | Quick restart and current limited to $I_{(OL)}$, follows standard start-up | | |

10 Application and Implementation

NOTE

Information in the following applications sections is not part of the TI component specification, and TI does not warrant its accuracy or completeness. TI's customers are responsible for determining suitability of components for their purposes. Customers should validate and test their design implementation to confirm system functionality.

10.1 Application Information

The TPS2660x is an industrial eFuse, typically used for Hot-Swap and Power rail protection applications. It operates from 4.2 V to 60 V with programmable current limit, overvoltage, undervoltage and reverse polarity protections. The device aids in controlling in-rush current and provides robust protection against reverse current and filed miss-wiring conditions for systems such as PLCs, Industrial PCs, Control and Automation and Sensors. The device also provides robust protection for multiple faults on the system rail.

The [Detailed Design Procedure](#) section can be used to select component values for the device.

Alternatively, the [WEBENCH®](#) software may be used to generate a complete design. The WEBENCH® software uses an iterative design procedure and accesses a comprehensive database of components when generating a design. Additionally, a spreadsheet design tool [TPS2660x Design Calculator](#) is available in the web product folder.

10.2 Typical Application

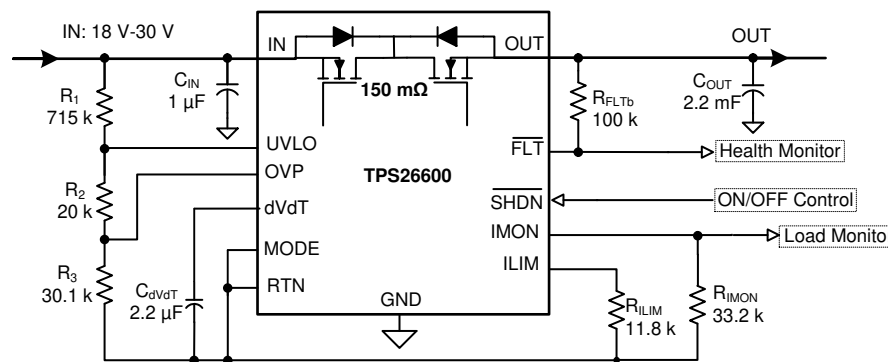


Figure 50. 24-V, 1-A eFuse Input Protection Circuit for Industrial PLC CPU

10.2.1 Design Requirements

Table 3 shows the Design Requirements for TPS2660x.

Table 3. Design Requirements

| DESIGN PARAMETER | | EXAMPLE VALUE |
|------------------|--------------------------------|---------------|
| $V_{(IN)}$ | Typical input voltage | 24 V |
| $V_{(UV)}$ | Undervoltage lockout set point | 18 V |
| $V_{(OV)}$ | Overvoltage cutoff set point | 30 V |
| $R_{L(SU)}$ | Load during start-up | 48 Ω |
| $I_{(LIM)}$ | Current limit | 1 A |
| $C_{(OUT)}$ | Load capacitance | 2200 μF |
| T_A | Maximum ambient temperature | 85°C |

10.2.2 Detailed Design Procedure

10.2.2.1 Step by Step Design Procedure

To begin the design process, the designer needs to know the following parameters:

- Input operating voltage range
- Maximum output capacitance
- Maximum current limit
- Load during start-up
- Maximum ambient temperature

This design procedure below seeks to control junction temperature of the device in both steady state and start-up conditions by proper selection of the output ramp-up time and associated support components. The designer can adjust this procedure to fit the application and design criteria.

10.2.2.2 Programming the Current-Limit Threshold— $R_{(ILIM)}$ Selection

The $R_{(ILIM)}$ resistor at the ILIM pin sets the over load current limit, this can be set using [Equation 9](#).

$$R_{(ILIM)} = \frac{12}{I_{LIM}} = 12k\Omega$$

where

- $I_{LIM} = 1A$ (9)

Choose the closest standard 1% resistor value : $R_{(ILIM)} = 11.8 k\Omega$

10.2.2.3 Undervoltage Lockout and Overvoltage Set Point

The undervoltage lockout (UVLO) and overvoltage trip point are adjusted using an external voltage divider network of R_1 , R_2 and R_3 connected between IN, UVLO, OVP and RTN pins of the device. The values required for setting the undervoltage and overvoltage are calculated by solving [Equation 10](#) and [Equation 11](#).

$$V_{(OVPR)} = \frac{R_3}{R_1 + R_2 + R_3} \times V_{(OV)} \tag{10}$$

$$V_{(UVLOR)} = \frac{R_2 + R_3}{R_1 + R_2 + R_3} \times V_{(UV)} \tag{11}$$

For minimizing the input current drawn from the power supply $\{I_{(R123)} = V_{(IN)}/(R_1+R_2+R_3)\}$, it is recommended to use higher value resistance for R_1 , R_2 and R_3 .

However, the leakage current due to external active components connected at resistor string can add error to these calculations. So, the resistor string current, $I_{(R123)}$ must be chosen to be 20x greater than the leakage current of UVLO and OVP pins.

From the device electrical specifications, $V_{(OVPR)} = 1.19 V$ and $V_{(UVLOR)} = 1.19 V$. From the design requirements, $V_{(OV)}$ is 30 V and $V_{(UV)}$ is 18 V. To solve the equation, first choose the value of $R_3 = 30.1 k\Omega$ and use [Equation 10](#) to solve for $(R_1 + R_2) = 728.7 k\Omega$. Use [Equation 11](#) and value of $(R_1 + R_2)$ to solve for $R_2 = 20.05 k\Omega$ and finally $R_1 = 708.6 k\Omega$.

Choose the closest standard 1% resistor values: $R_1 = 715 k\Omega$, $R_2 = 20 k\Omega$, and $R_3 = 30.1 k\Omega$.

The UVLO and the OVP pins can also be connected to the RTN pin to enable the internal default $V_{(OV)} = 33 V$ and $V_{(UV)} = 15 V$.

The power failure is detected on falling edge of the supply. This threshold voltage is 7.5% lower than the rising threshold, $V_{(UV)}$. The voltage at which the device detects power fail can be calculated using [Equation 12](#).

$$V_{(PFAIL)} = 0.925 \times V_{(UV)} \tag{12}$$

10.2.2.4 Programming Current Monitoring Resistor— $R_{(IMON)}$

The voltage at IMON pin $V_{(IMON)}$ represents the voltage proportional to the load current. This can be connected to an ADC of the downstream system for health monitoring of the system. The $R_{(IMON)}$ must be configured based on the maximum input voltage range of the ADC used. $R_{(IMON)}$ is set using Equation 13.

$$R_{(IMON)} = \frac{V_{(IMONmax)}}{I_{(LIM)} \times 75 \times 10^{-6}} \tag{13}$$

For $I_{(LIM)} = 1 \text{ A}$, and considering the operating voltage range of ADC from 0 V to 2.5 V, $V_{(IMONmax)}$ is 2.5 V and $R_{(IMON)}$ is determined by Equation 14.

$$R_{(IMON)} = \frac{2.5}{1 \times 75 \times 10^{-6}} = 33.3\text{k}\Omega \tag{14}$$

Selecting the $R_{(IMON)}$ value less than determined ensures that ADC limits are not exceeded for maximum value of the load current. Choose the closest standard 1% resistor value : $R_{(IMON)} = 33.2 \text{ k}\Omega$.

If current monitoring up to $I_{(FASTRIP)}$ is desired, $R_{(IMON)}$ can be reduced by a factor of 1.8 as shown Equation 5.

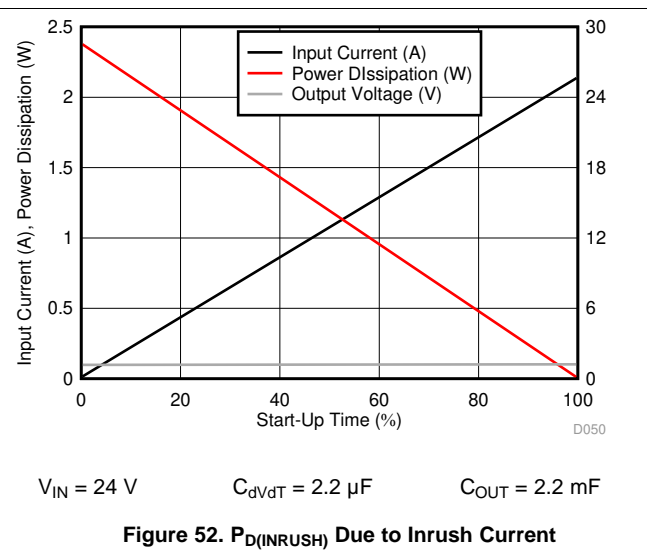
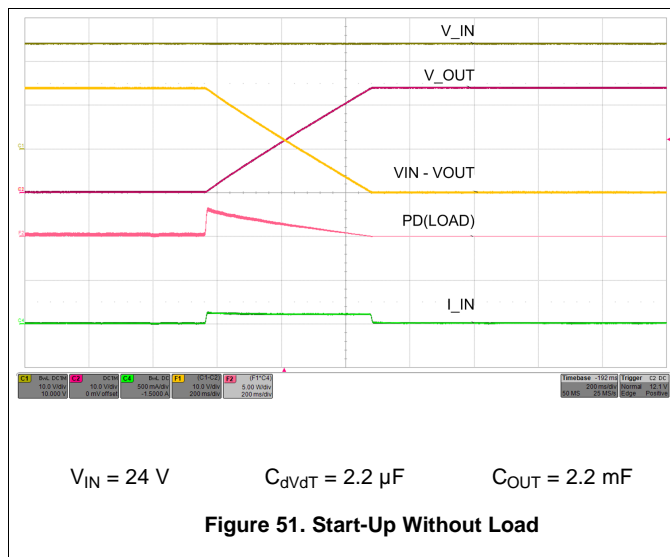
10.2.2.5 Setting Output Voltage Ramp Time—(t_{dVdT})

For a successful design, the junction temperature of the device must be kept below the absolute-maximum rating during dynamic (start-up) and steady state conditions. The dynamic power dissipation is often an order magnitude greater than the steady state power dissipation. It is important to determine the right start-up time and the in-rush current limit for the system to avoid thermal shutdown during start-up with and without load.

The ramp-up capacitor $C_{(dVdT)}$ is calculated considering the two possible cases:

10.2.2.5.1 Case 1: Start-Up Without Load—Only Output Capacitance $C_{(OUT)}$ Draws Current During Start-Up

During start-up, as the output capacitor charges, the voltage difference across the internal FET decreases, and the power dissipation decreases. Typical ramp-up of the output voltage, inrush current and instantaneous power dissipated in the device during start-up are shown in Figure 51. The average power dissipated in the device during start-up is equal to the area of triangular plot (red curve in Figure 52) averaged over t_{dVdT} .



The inrush current is determined as shown in Equation 15.

$$I = C \times \frac{dV}{dT} \geq I_{(INRUSH)} = C_{(OUT)} \times \frac{V_{(IN)}}{t_{dVdT}} \tag{15}$$

Average power dissipated during start-up is given by Equation 16.

$$P_{D(INRUSH)} = 0.5 \times V_{(IN)} \times I_{(INRUSH)} \quad (16)$$

Equation 16 assumes that the load does not draw any current until the output voltage reaches its final value.

10.2.2.5.2 Case 2: Start-Up With Load—Output Capacitance $C_{(OUT)}$ and Load Draws Current During Start-Up

When the load draws current during the turnon sequence, additional power is dissipated in the device. Considering a resistive load $R_{L(SU)}$ during start-up, typical ramp-up of output voltage, load current and the instantaneous power dissipation in the device are shown in Figure 53. Instantaneous power dissipation with respect to time is plotted in Figure 54. The additional power dissipation during start-up is calculated using Equation 17.

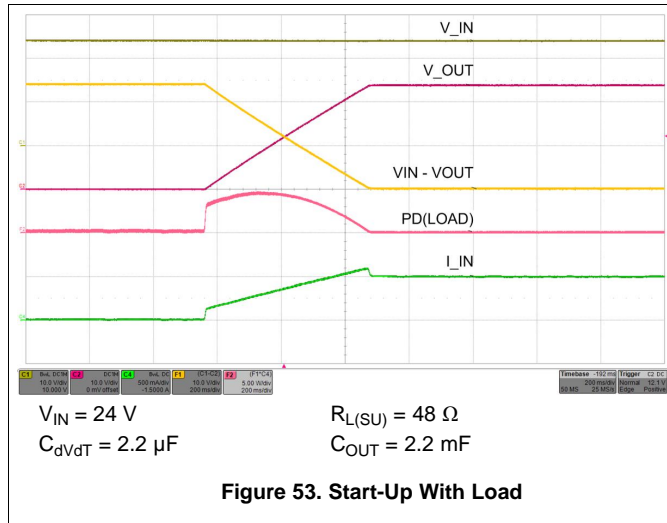


Figure 53. Start-Up With Load

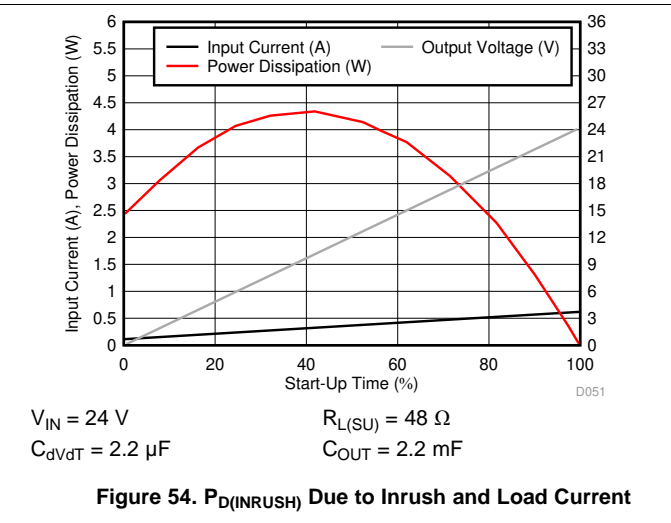


Figure 54. $P_{D(INRUSH)}$ Due to Inrush and Load Current

$$P_{D(LOAD)} = \frac{1}{6} \times \frac{V_{(IN)}^2}{R_{L(SU)}} \quad (17)$$

Total power dissipated in the device during start-up is given by Equation 18.

$$P_{D(STARTUP)} = P_{D(INRUSH)} + P_{D(LOAD)} \quad (18)$$

Total current during start-up is given by Equation 19.

$$I_{(STARTUP)} = I_{(INRUSH)} + I_{L(t)} \quad (19)$$

For the design example under discussion,

Select the inrush current $I_{(INRUSH)} = 0.1$ A and calculate t_{dVdT} using Equation 20.

$$t_{(dVdT)} = 2.2m \times \frac{24}{0.1} = 0.528s \quad (20)$$

For a given start-up time, C_{dVdT} capacitance value is calculated using Equation 21.

$$C_{(dVdT)} = \frac{t_{(dVdT)}}{8 \times 10^3 \times V_{(IN)}} = 2.7\mu F$$

where

- $t_{(dVdT)} = 0.528$ s
 - $V_{(IN)} = 24$ V
- (21)

Choose the closest standard value: 2.2- μ F/16-V capacitor.

The inrush power dissipation is calculated, using Equation 22.

$$P_{D(INRUSH)} = 0.5 \times V_{(IN)} \times I_{(INRUSH)} = 1.2W$$

where

- $V_{(IN)} = 24\text{ V}$
 - $I_{(INRUSH)} = 0.1\text{ A}$
- (22)

Considering the start-up with 48-Ω load, the additional power dissipation, is calculated using Equation 23.

$$P_{D(LOAD)} = \left(\frac{1}{6}\right) \times \frac{V_{(IN)}^2}{R_{L(SU)}} = 2\text{ W}$$

where

- $V_{(IN)} = 24\text{ V}$
 - $R_{L(SU)} = 48\ \Omega$
- (23)

The total device power dissipation during start-up is given by Equation 24.

$$P_{D(STARTUP)} = P_{D(INRUSH)} + P_{D(LOAD)} = 3.2W$$

where

- $P_{D(INRUSH)} = 1.2\text{ W}$
 - $P_{D(LOAD)} = 2\text{ W}$
- (24)

The power dissipation with or without load, for a selected start-up time must not exceed the thermal shutdown limits as shown in Figure 55.

From the thermal shutdown limit graph, at $T_A = 85^\circ\text{C}$, thermal shutdown time for 3.2 W is close to 28000 ms. It is safe to have a minimum 30% margin to allow for variation of the system parameters such as load, component tolerance, input voltage and layout. Selected 2.2-μF C_{dVdT} capacitor and 528-ms start-up time (t_{dVdT}) are within limit for successful start-up with 48-Ω load.

Higher value $C_{(dVdT)}$ capacitor can be selected to further reduce the power dissipation during start-up.

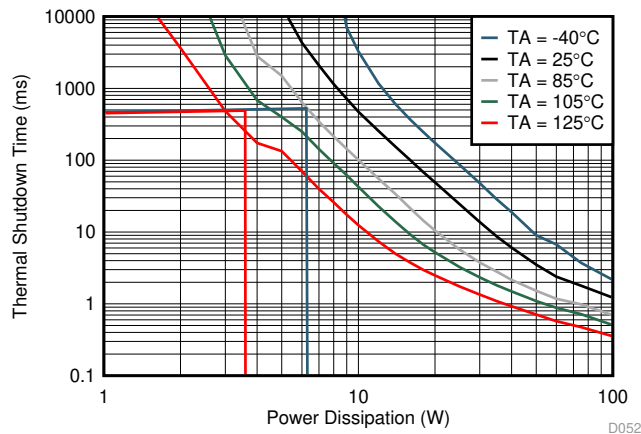


Figure 55. Thermal Shutdown Time vs Power Dissipation

10.2.2.5.3 Support Component Selections— R_{FLTb} and $C_{(IN)}$

The R_{FLTb} serves as pull-up for the open-drain fault output. The current sink by this pin must not exceed 10 mA (see the *Absolute Maximum Ratings* table). Typical resistance value in the range of 10 kΩ to 100 kΩ is recommended for R_{FLTb} . The C_{IN} is a local bypass capacitor to suppress noise at the input. Typical capacitance value in the range of 0.1 μF to 1 μF is recommended for $C_{(IN)}$.

10.2.3 Application Curves

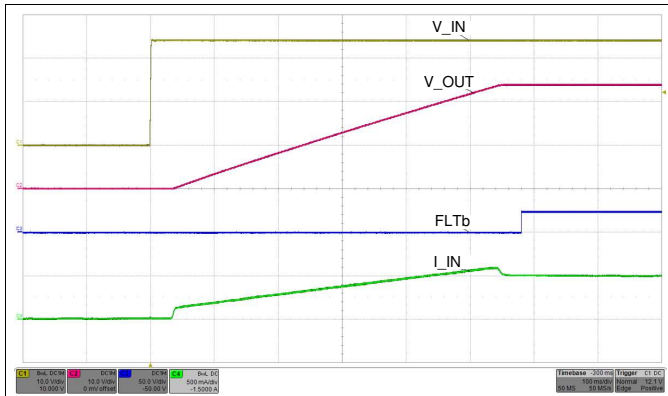


Figure 56. Start-Up With VIN—48-Ω Load

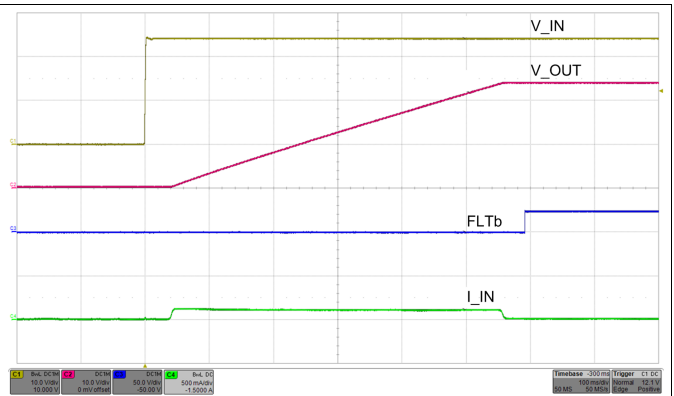


Figure 57. Start-Up With VIN—No Load

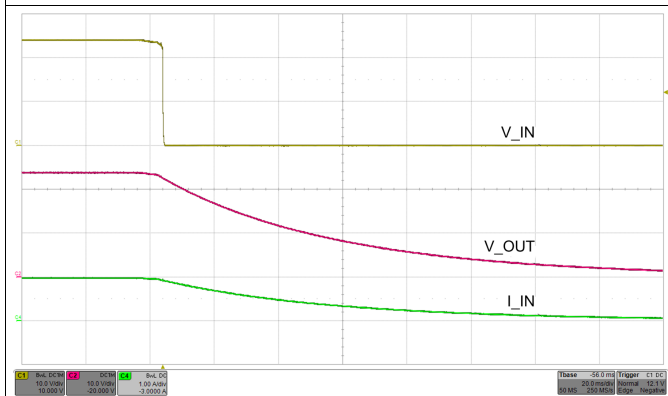


Figure 58. Power Fail With 24-Ω Load—Supports 1-A Load for 10-ms Power Fail

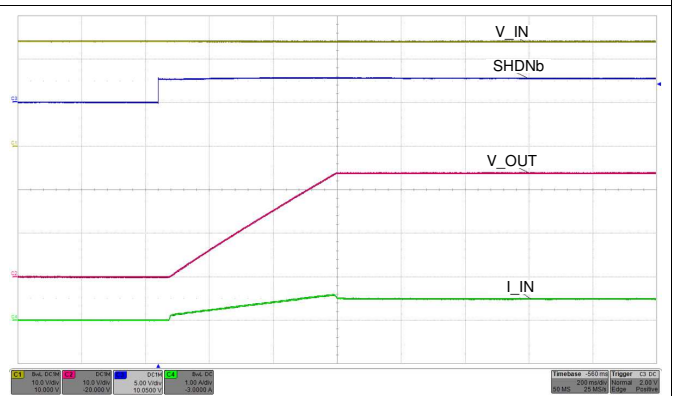


Figure 59. Start-Up With Shutdown Pin—48-Ω Load

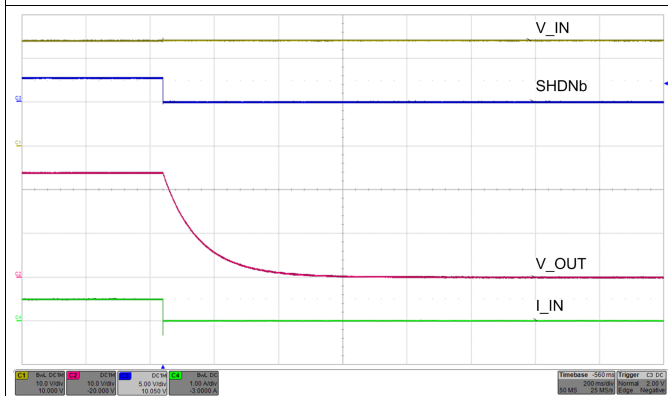


Figure 60. Power Down With Shutdown Pin—48-Ω Load

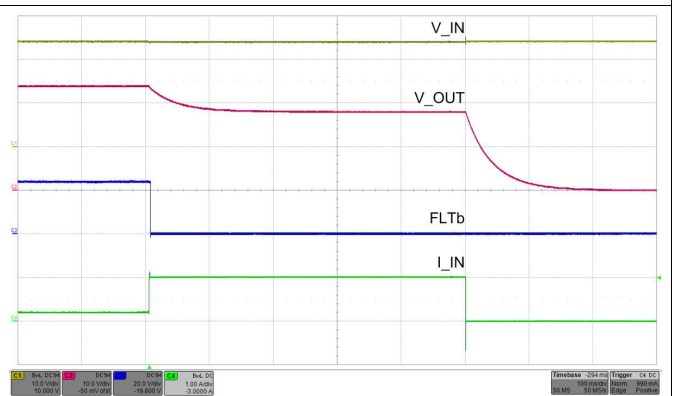


Figure 61. Over Load Response—Load Stepped from 100-Ω to 18-Ω Load

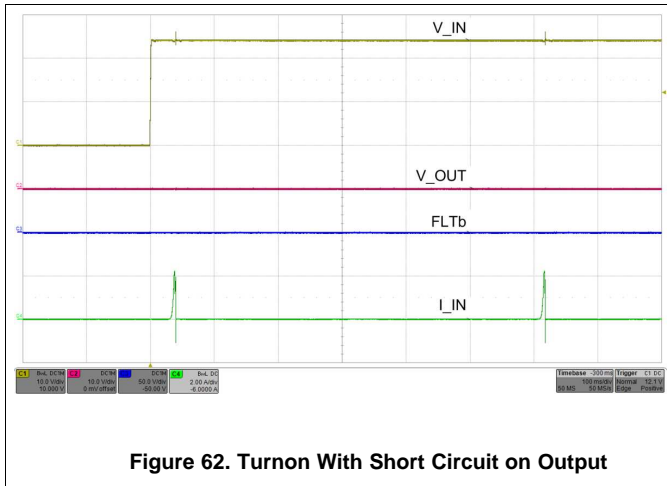


Figure 62. Turnon With Short Circuit on Output

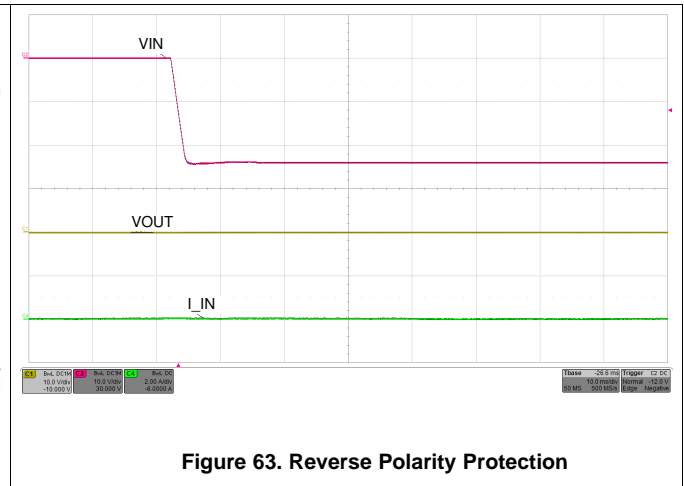


Figure 63. Reverse Polarity Protection

10.3 System Examples

10.3.1 Active ORing Operation

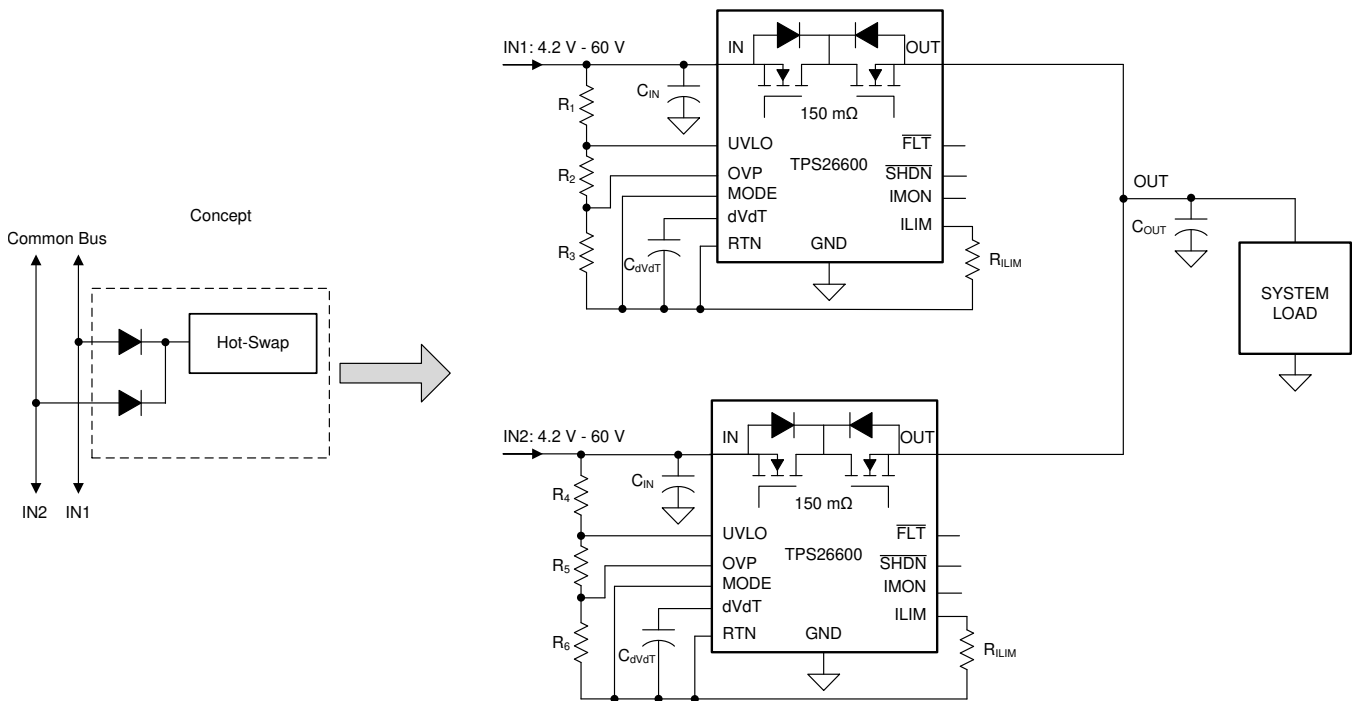


Figure 64. Active ORing Application Schematic

Figure 64 shows a typical redundant power supply configuration of the system. Schottky ORing diodes have been popular for connecting parallel power supplies, such as parallel operation of wall adapter with a battery or a hold-up storage capacitor. The disadvantage of using ORing diodes is high voltage drop and associated power loss. The TPS2660x with integrated, N-channel back to back FETs provide a simple and efficient solution.

A fast reverse comparator controls the internal FET and it is turned ON or OFF with hysteresis as shown in Figure 65. The internal FET is turned off within 1.5 μ s (typical) as soon as $V_{(IN)} - V_{(OUT)}$ falls below -110 mV. It turns on within 40 μ s (typical) once the differential forward voltage $V_{(IN)} - V_{(OUT)}$ exceeds 100 mV. Figure 66 and Figure 67 show typical switch-over waveforms of Active ORing implementation using the TPS26600.

System Examples (continued)

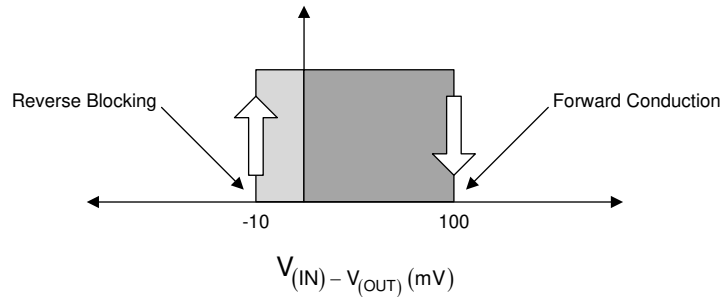


Figure 65. Active ORing Thresholds

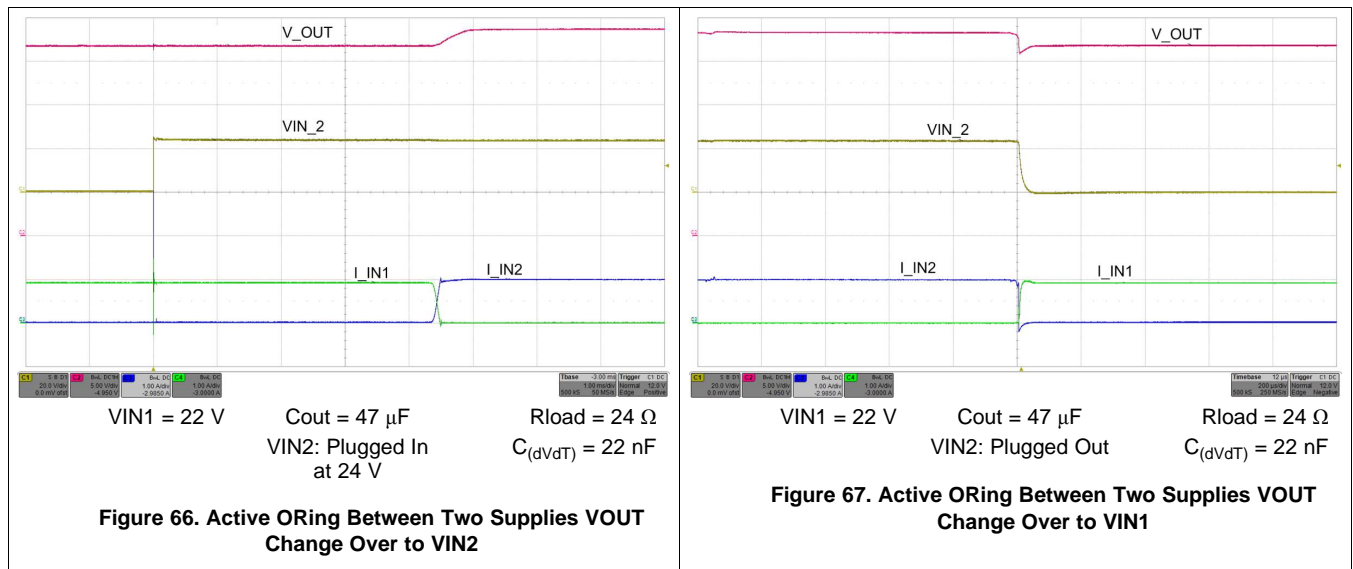


Figure 66. Active ORing Between Two Supplies VOUT Change Over to VIN2

Figure 67. Active ORing Between Two Supplies VOUT Change Over to VIN1

NOTE

All control pins of the un-powered TPS2660x device in the Active ORing configuration will measure approximately 0.7 V drop with respect to GND. The system micro-controller should ignore IMON and FLT pin voltage measurements of this device when these signals are being monitored.

System Examples (continued)

10.3.2 Field Supply Protection in PLC, DCS I/O Modules

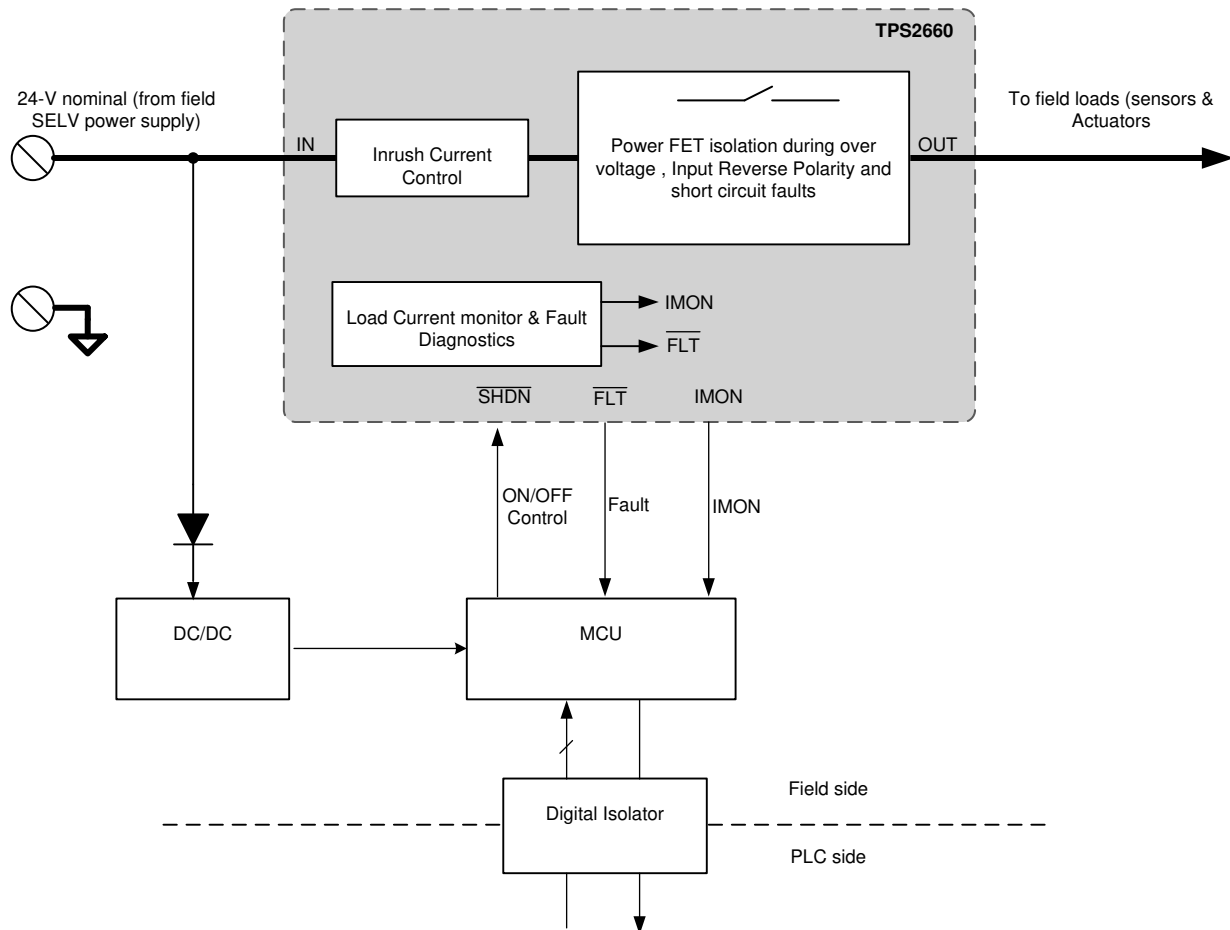


Figure 68. Power Delivery Circuit Block Diagram in I/O Modules

The PLC or Distributed Control System (DCS) I/O modules are often connected to an external field power supply to support higher power requirements of the field loads like sensors and actuators. Power-supply faults or miswiring can damage the loads or cause the loads not to operate correctly. The TPS2660x can be used as a front end protection circuit to protect and provide stable supply to the field loads. Under voltage, Over voltage and reverse polarity protection features of the TPS2660x prevent the loads to experience voltages outside the operating range, which can permanently damage the loads.

Field power supply is often connected to multiple I/O modules and is capable of delivering more current than a single I/O module can handle. Overcurrent protection scheme of the TPS2660x limits the current from the power supply to the module so that the maximum current does not rise above what the board is designed for. Fast short circuit protection scheme isolates the faulty load from the field supply quickly and prevents the field supply to dip and cause interrupts in the other I/O modules connected to the same field supply. High accurate ($\pm 5\%$ at 1 A) current limit facilitates more I/O modules to be connected to field supply. Load current monitor (IMON) and fault indication ($\overline{\text{FLT}}$) features facilitate continuous load monitoring.

The TPS2660x also acts as a smart diode with protection against reverse current during output side miswiring. Reverse current can potentially damage the field power supply and cause the I/O modules to run hot or may cause permanent damage.

If the field power supply is connected in reverse polarity (which is not unlikely as field power supplies are usually connected with screw terminals), field loads can permanently get damaged due to the reverse voltage. The reverse polarity protection feature of the TPS2660x prevents the reverse voltage to appear at the load side.

System Examples (continued)

10.3.3 Simple 24-V Power Supply Path Protection

With the TPS2660x, a simple 24-V power supply path protection can be realized using a minimum of three external components as shown in the schematic diagram in Figure 69. The external components required are: a $R_{(ILIM)}$ resistor to program the current limit, $C_{(IN)}$ and $C_{(OUT)}$ capacitors.

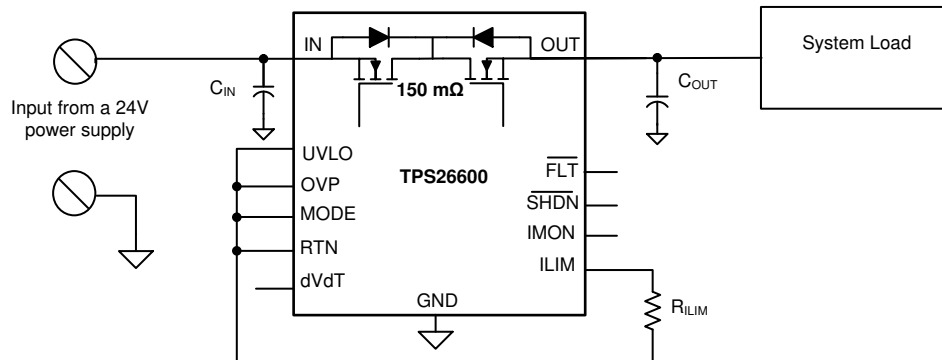


Figure 69. TPS26600 Configured for a Simple 24-V Supply Path Protection

Protection features with this configuration include:

- Load and device protection from reverse input polarity fault down to $-60V$
- 15 V (typical) rising under voltage lock-out threshold
- 33 V (typical) rising overvoltage cut-off threshold
- Protection from 60 V from the external SELV supply
- Inrush current control with 24V/1.6 ms output voltage slew rate
- Reverse Current Blocking
- Accurate current limiting with Auto-Retry

10.4 Do's and Don'ts

- Do not connect RTN to GND. Connecting RTN to GND disables the Reverse Polarity protection feature
- Do connect the TPS2660x support components $R_{(ILIM)}$, $C_{(dVdT)}$, $R_{(IMON)}$, $R_{(MODE)}$ and UVLO, OVP resistors with respect to RTN pin
- Do connect device PowerPAD to the RTN plane for an enhanced thermal performance

11 Power Supply Recommendations

The TPS2660x eFuse is designed for the supply voltage range of $4.2\text{ V} \leq V_{\text{IN}} \leq 60\text{ V}$. If the input supply is located more than a few inches from the device, an input ceramic bypass capacitor higher than $0.1\text{ }\mu\text{F}$ is recommended. Power supply must be rated higher than the current limit set to avoid voltage droops during overcurrent and short circuit conditions.

11.1 Transient Protection

In case of short circuit and over load current limit, when the device interrupts current flow, input inductance generates a positive voltage spike on the input and output inductance generates a negative voltage spike on the output. The peak amplitude of voltage spikes (transients) is dependent on value of inductance in series to the input or output of the device. Such transients can exceed the *Absolute Maximum Ratings* of the device if steps are not taken to address the issue.

Typical methods for addressing transients include

- Minimizing lead length and inductance into and out of the device
- Using large PCB GND plane
- Schottky diode across the output to absorb negative spikes
- A low value ceramic capacitor (C_{IN}) to approximately $0.1\text{ }\mu\text{F}$ to absorb the energy and dampen the transients.

The approximate value of input capacitance can be estimated with [Equation 25](#).

$$V_{\text{spike(Absolute)}} = V_{\text{(IN)}} + I_{\text{(Load)}} \times \sqrt{\frac{L_{\text{(IN)}}}{C_{\text{(IN)}}}}$$

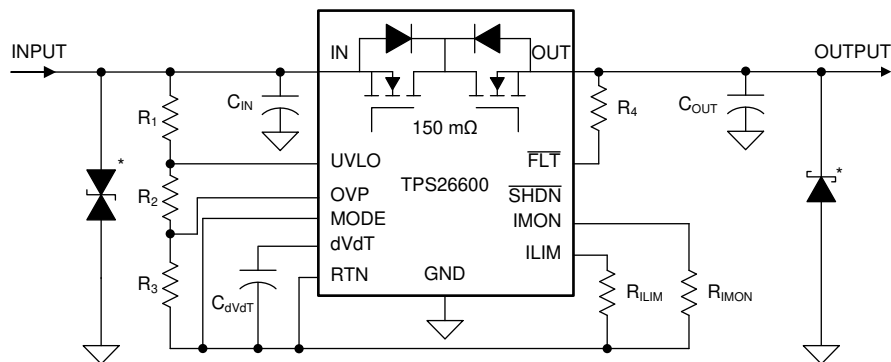
where

- $V_{\text{(IN)}}$ is the nominal supply voltage
- $I_{\text{(LOAD)}}$ is the load current
- $L_{\text{(IN)}}$ equals the effective inductance seen looking into the source
- $C_{\text{(IN)}}$ is the capacitance present at the input

(25)

Some applications may require additional Transient Voltage Suppressor (TVS) to prevent transients from exceeding the *Absolute Maximum Ratings* of the device. These transients can occur during positive and negative surge tests on the supply lines. In such applications it is recommended to place at least $1\text{ }\mu\text{F}$ of input capacitor to limit the falling slew rate of the input voltage within a maximum of $20\text{ V}/\mu\text{s}$.

The circuit implementation with optional protection components (a ceramic capacitor, TVS and schottky diode) is shown in [Figure 70](#).



* Optional components needed for suppression of transients

Figure 70. Circuit Implementation With Optional Protection Components

12 Layout

12.1 Layout Guidelines

- For all the applications, a 0.1 μF or higher value ceramic decoupling capacitor is recommended between IN terminal and GND.
- The optimum placement of decoupling capacitor is closest to the IN and GND terminals of the device. Care must be taken to minimize the loop area formed by the bypass-capacitor connection, the IN terminal, and the GND terminal of the IC. See [Figure 71](#) and [Figure 72](#) for PCB layout examples with HTSSOP and VQFN packages respectively.
- High current carrying power path connections must be as short as possible and must be sized to carry at least twice the full-load current.
- RTN, which is the reference ground for the device must be a copper plane or island.
- Locate all the TPS2660x support components $R_{(ILIM)}$, $C_{(dVdT)}$, $R_{(IMON)}$, and MODE, UVLO, OVP resistors close to their connection pin. Connect the other end of the component to the RTN with shortest trace length.
- The trace routing for the $R_{(ILIM)}$ and $R_{(IMON)}$ components to the device must be as short as possible to reduce parasitic effects on the current limit and current monitoring accuracy. These traces must not have any coupling to switching signals on the board.
- Protection devices such as TVS, snubbers, capacitors, or diodes must be placed physically close to the device they are intended to protect, and routed with short traces to reduce inductance. For example, a protection Schottky diode is recommended to address negative transients due to switching of inductive loads, and it must be physically close to the OUT and GND pins.
- Thermal Considerations: When properly mounted, the PowerPAD package provides significantly greater cooling ability. To operate at rated power, the PowerPAD must be soldered directly to the board RTN plane directly under the device. Other planes, such as the bottom side of the circuit board can be used to increase heat sinking in higher current applications. Designs that do not need reverse input polarity protection can have RTN, GND and PowerPAD connected together. PowerPAD in these designs can be connected to the PCB ground plane.

12.2 Layout Example

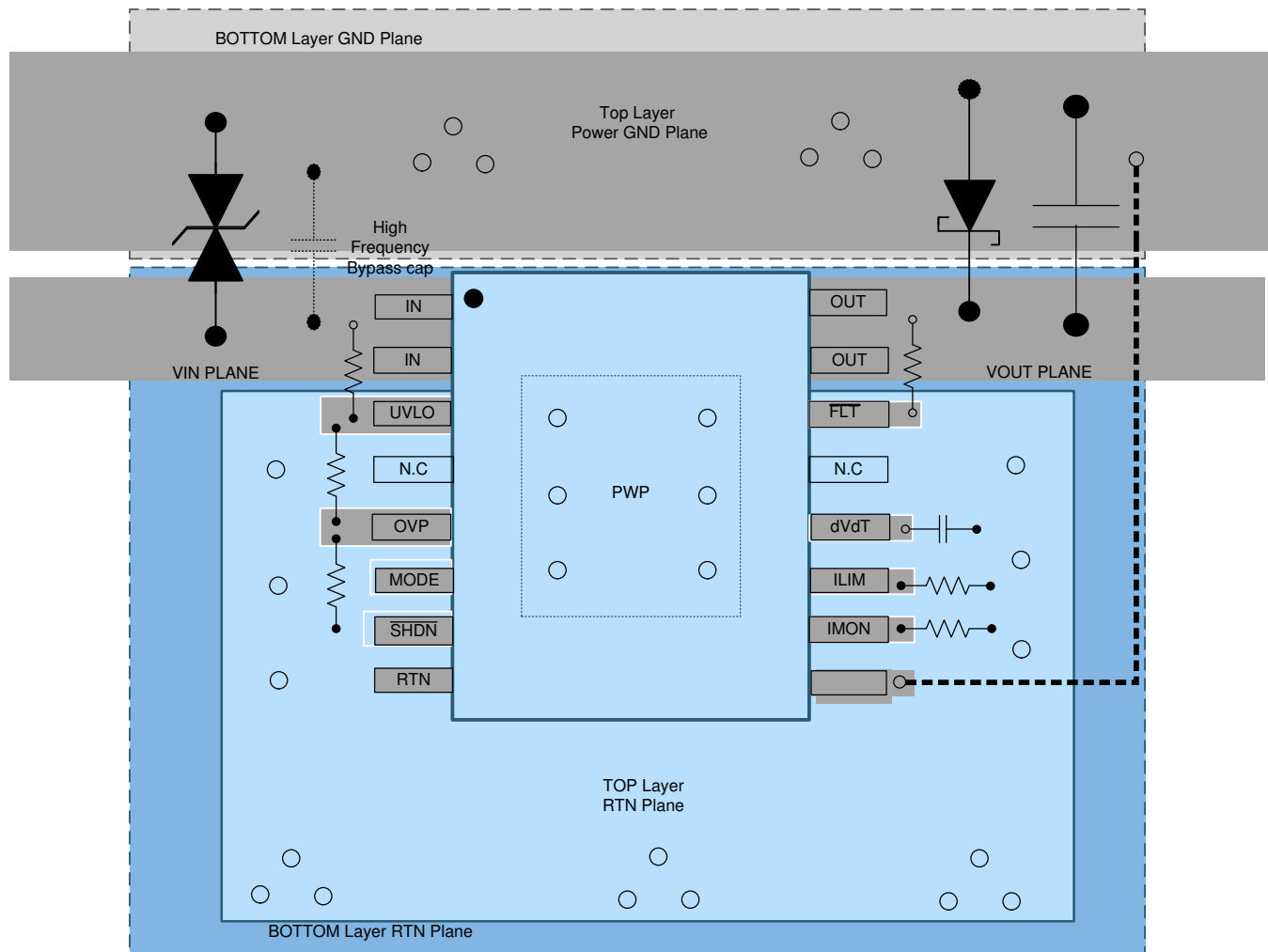


Figure 71. Typical PCB Layout Example With HTSSOP Package With a 2 Layer PCB

Layout Example (continued)

- Top Layer
- Bottom layer GND plane
- Top Layer RTN Plane
- Bottom Layer RTN Plane
- Via to Bottom Layer
- Track in bottom layer

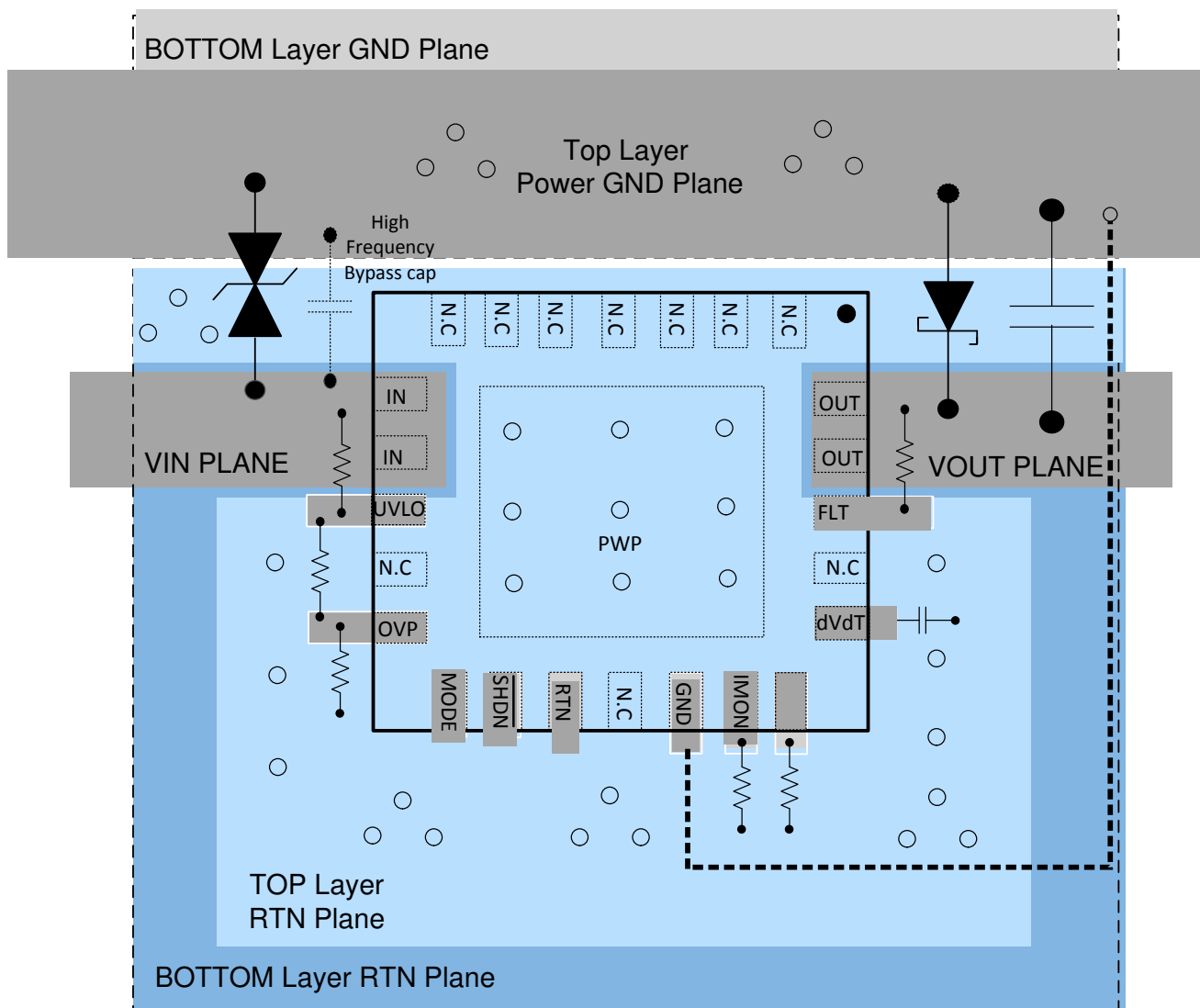


Figure 72. Typical PCB Layout Example With VQFN Package With a 2 Layer PCB

13 Device and Documentation Support

13.1 Device Support

For TPS26600 PSpice Transient Mode, see [SLVMBR3B](#).

For TPS26602 PSpice Transient Mode, see [SLVMBR4C](#).

13.2 Documentation Support

13.2.1 Related Documentation

For related documentation see the following:

- [TPS26600-02EVM: Evaluation Module for TPS2660x User's Guide](#)
- [Power Multiplexing Using Load Switches and eFuses](#)
- [The TPS2660 Simplifies Surge and Power-Fail Protection Circuits in PLC System](#)

13.3 Receiving Notification of Documentation Updates

To receive notification of documentation updates, navigate to the device product folder on [ti.com](#). In the upper right corner, click on *Alert me* to register and receive a weekly digest of any product information that has changed. For change details, review the revision history included in any revised document.

13.4 Community Resources

[TI E2E™ support forums](#) are an engineer's go-to source for fast, verified answers and design help — straight from the experts. Search existing answers or ask your own question to get the quick design help you need.

Linked content is provided "AS IS" by the respective contributors. They do not constitute TI specifications and do not necessarily reflect TI's views; see TI's [Terms of Use](#).

13.5 Trademarks

E2E is a trademark of Texas Instruments.

All other trademarks are the property of their respective owners.

13.6 Electrostatic Discharge Caution



This integrated circuit can be damaged by ESD. Texas Instruments recommends that all integrated circuits be handled with appropriate precautions. Failure to observe proper handling and installation procedures can cause damage.

ESD damage can range from subtle performance degradation to complete device failure. Precision integrated circuits may be more susceptible to damage because very small parametric changes could cause the device not to meet its published specifications.

13.7 Glossary

[SLYZ022](#) — *TI Glossary*.

This glossary lists and explains terms, acronyms, and definitions.

14 Mechanical, Packaging, and Orderable Information

The following pages include mechanical, packaging, and orderable information. This information is the most current data available for the designated devices. This data is subject to change without notice and revision of this document. For browser-based versions of this data sheet, refer to the left-hand navigation.

PACKAGING INFORMATION

| Orderable Device | Status (1) | Package Type | Package Drawing | Pins | Package Qty | Eco Plan (2) | Lead finish/ Ball material (6) | MSL Peak Temp (3) | Op Temp (°C) | Device Marking (4/5) | Samples |
|------------------|---------------|--------------|-----------------|------|-------------|-----------------|--------------------------------------|----------------------|--------------|-------------------------|-------------------------|
| TPS26600PWPR | ACTIVE | HTSSOP | PWP | 16 | 2000 | RoHS & Green | NIPDAU | Level-2-260C-1 YEAR | -40 to 125 | 26600 | Samples |
| TPS26600PWPT | ACTIVE | HTSSOP | PWP | 16 | 250 | RoHS & Green | NIPDAU | Level-2-260C-1 YEAR | -40 to 125 | 26600 | Samples |
| TPS26600RHFR | ACTIVE | VQFN | RHF | 24 | 3000 | RoHS & Green | NIPDAU | Level-2-260C-1 YEAR | -40 to 125 | TPS 26600 | Samples |
| TPS26600RHFT | ACTIVE | VQFN | RHF | 24 | 250 | RoHS & Green | NIPDAU | Level-2-260C-1 YEAR | -40 to 125 | TPS 26600 | Samples |
| TPS26601RHFR | ACTIVE | VQFN | RHF | 24 | 3000 | RoHS & Green | NIPDAU | Level-2-260C-1 YEAR | -40 to 125 | TPS 26601 | Samples |
| TPS26601RHFT | ACTIVE | VQFN | RHF | 24 | 250 | RoHS & Green | NIPDAU | Level-2-260C-1 YEAR | -40 to 125 | TPS 26601 | Samples |
| TPS26602PWPR | ACTIVE | HTSSOP | PWP | 16 | 2000 | RoHS & Green | NIPDAU | Level-2-260C-1 YEAR | -40 to 125 | 26602 | Samples |
| TPS26602PWPT | ACTIVE | HTSSOP | PWP | 16 | 250 | RoHS & Green | NIPDAU | Level-2-260C-1 YEAR | -40 to 125 | 26602 | Samples |
| TPS26602RHFR | ACTIVE | VQFN | RHF | 24 | 3000 | RoHS & Green | NIPDAU | Level-2-260C-1 YEAR | -40 to 125 | TPS 26602 | Samples |
| TPS26602RHFT | ACTIVE | VQFN | RHF | 24 | 250 | RoHS & Green | NIPDAU | Level-2-260C-1 YEAR | -40 to 125 | TPS 26602 | Samples |

(1) The marketing status values are defined as follows:

ACTIVE: Product device recommended for new designs.

LIFEBUY: TI has announced that the device will be discontinued, and a lifetime-buy period is in effect.

NRND: Not recommended for new designs. Device is in production to support existing customers, but TI does not recommend using this part in a new design.

PREVIEW: Device has been announced but is not in production. Samples may or may not be available.

OBsolete: TI has discontinued the production of the device.

(2) **RoHS:** TI defines "RoHS" to mean semiconductor products that are compliant with the current EU RoHS requirements for all 10 RoHS substances, including the requirement that RoHS substance do not exceed 0.1% by weight in homogeneous materials. Where designed to be soldered at high temperatures, "RoHS" products are suitable for use in specified lead-free processes. TI may reference these types of products as "Pb-Free".

RoHS Exempt: TI defines "RoHS Exempt" to mean products that contain lead but are compliant with EU RoHS pursuant to a specific EU RoHS exemption.

Green: TI defines "Green" to mean the content of Chlorine (Cl) and Bromine (Br) based flame retardants meet JS709B low halogen requirements of <=1000ppm threshold. Antimony trioxide based flame retardants must also meet the <=1000ppm threshold requirement.

(3) MSL, Peak Temp. - The Moisture Sensitivity Level rating according to the JEDEC industry standard classifications, and peak solder temperature.

(4) There may be additional marking, which relates to the logo, the lot trace code information, or the environmental category on the device.

(5) Multiple Device Markings will be inside parentheses. Only one Device Marking contained in parentheses and separated by a "~" will appear on a device. If a line is indented then it is a continuation of the previous line and the two combined represent the entire Device Marking for that device.

(6) Lead finish/Ball material - Orderable Devices may have multiple material finish options. Finish options are separated by a vertical ruled line. Lead finish/Ball material values may wrap to two lines if the finish value exceeds the maximum column width.

Important Information and Disclaimer:The information provided on this page represents TI's knowledge and belief as of the date that it is provided. TI bases its knowledge and belief on information provided by third parties, and makes no representation or warranty as to the accuracy of such information. Efforts are underway to better integrate information from third parties. TI has taken and continues to take reasonable steps to provide representative and accurate information but may not have conducted destructive testing or chemical analysis on incoming materials and chemicals. TI and TI suppliers consider certain information to be proprietary, and thus CAS numbers and other limited information may not be available for release.

In no event shall TI's liability arising out of such information exceed the total purchase price of the TI part(s) at issue in this document sold by TI to Customer on an annual basis.

TAPE AND REEL INFORMATION

QUADRANT ASSIGNMENTS FOR PIN 1 ORIENTATION IN TAPE


*All dimensions are nominal

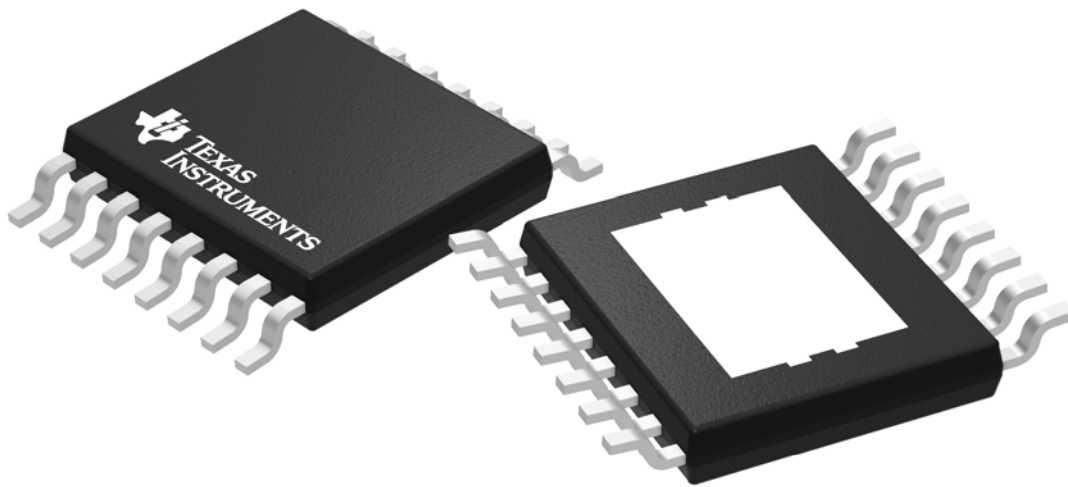
| Device | Package Type | Package Drawing | Pins | SPQ | Reel Diameter (mm) | Reel Width W1 (mm) | A0 (mm) | B0 (mm) | K0 (mm) | P1 (mm) | W (mm) | Pin1 Quadrant |
|--------------|--------------|-----------------|------|------|--------------------|--------------------|---------|---------|---------|---------|--------|---------------|
| TPS26600PWPR | HTSSOP | PWP | 16 | 2000 | 330.0 | 12.4 | 6.9 | 5.6 | 1.6 | 8.0 | 12.0 | Q1 |
| TPS26600RHFR | VQFN | RHF | 24 | 3000 | 330.0 | 12.4 | 4.3 | 5.3 | 1.3 | 8.0 | 12.0 | Q1 |
| TPS26600RHFT | VQFN | RHF | 24 | 250 | 180.0 | 12.4 | 4.3 | 5.3 | 1.3 | 8.0 | 12.0 | Q1 |
| TPS26601RHFR | VQFN | RHF | 24 | 3000 | 330.0 | 12.4 | 4.3 | 5.3 | 1.3 | 8.0 | 12.0 | Q1 |
| TPS26601RHFT | VQFN | RHF | 24 | 250 | 180.0 | 12.4 | 4.3 | 5.3 | 1.3 | 8.0 | 12.0 | Q1 |
| TPS26602PWPR | HTSSOP | PWP | 16 | 2000 | 330.0 | 12.4 | 6.9 | 5.6 | 1.6 | 8.0 | 12.0 | Q1 |
| TPS26602RHFR | VQFN | RHF | 24 | 3000 | 330.0 | 12.4 | 4.3 | 5.3 | 1.3 | 8.0 | 12.0 | Q1 |
| TPS26602RHFT | VQFN | RHF | 24 | 250 | 180.0 | 12.4 | 4.3 | 5.3 | 1.3 | 8.0 | 12.0 | Q1 |

TAPE AND REEL BOX DIMENSIONS

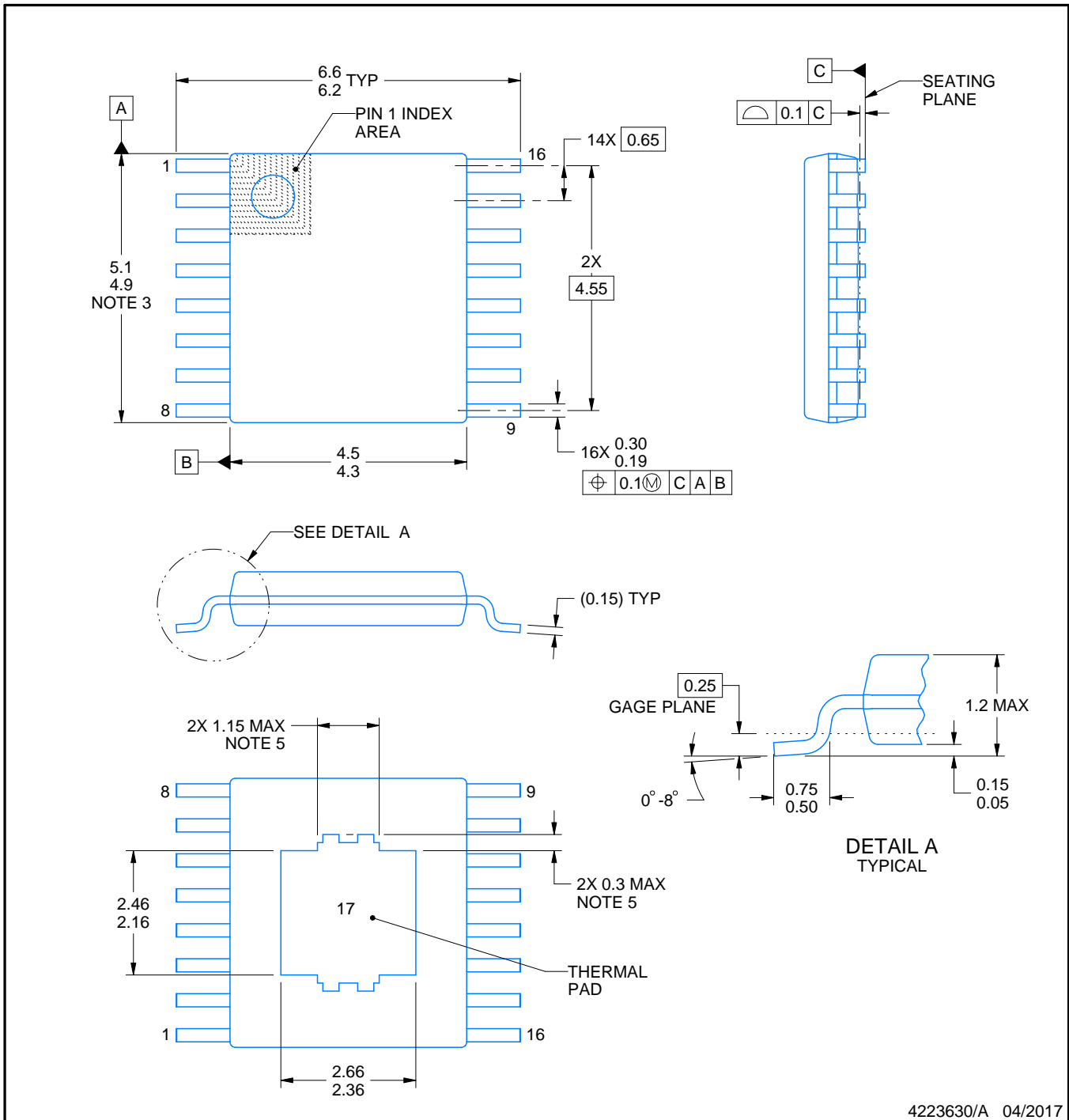


*All dimensions are nominal

| Device | Package Type | Package Drawing | Pins | SPQ | Length (mm) | Width (mm) | Height (mm) |
|--------------|--------------|-----------------|------|------|-------------|------------|-------------|
| TPS26600PWPR | HTSSOP | PWP | 16 | 2000 | 350.0 | 350.0 | 43.0 |
| TPS26600RHFR | VQFN | RHF | 24 | 3000 | 367.0 | 367.0 | 35.0 |
| TPS26600RHFT | VQFN | RHF | 24 | 250 | 210.0 | 185.0 | 35.0 |
| TPS26601RHFR | VQFN | RHF | 24 | 3000 | 367.0 | 367.0 | 35.0 |
| TPS26601RHFT | VQFN | RHF | 24 | 250 | 210.0 | 185.0 | 35.0 |
| TPS26602PWPR | HTSSOP | PWP | 16 | 2000 | 350.0 | 350.0 | 43.0 |
| TPS26602RHFR | VQFN | RHF | 24 | 3000 | 367.0 | 367.0 | 35.0 |
| TPS26602RHFT | VQFN | RHF | 24 | 250 | 210.0 | 185.0 | 35.0 |



Images above are just a representation of the package family, actual package may vary.
Refer to the product data sheet for package details.



4223630/A 04/2017

NOTES:

PowerPAD is a trademark of Texas Instruments.

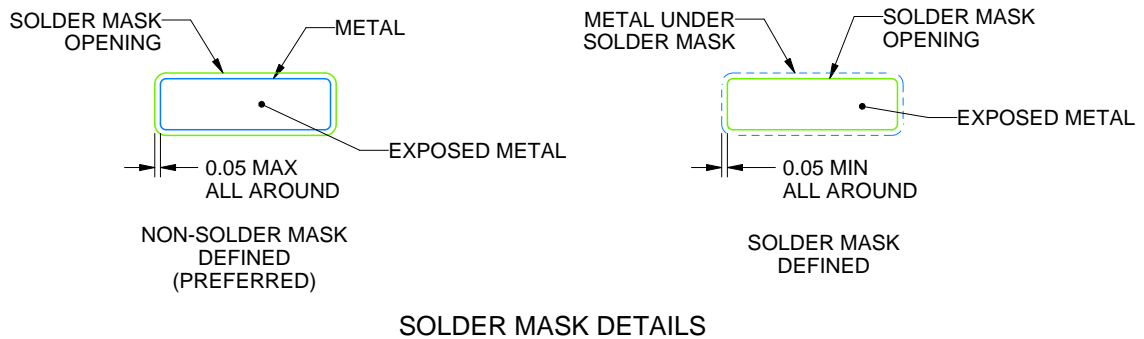
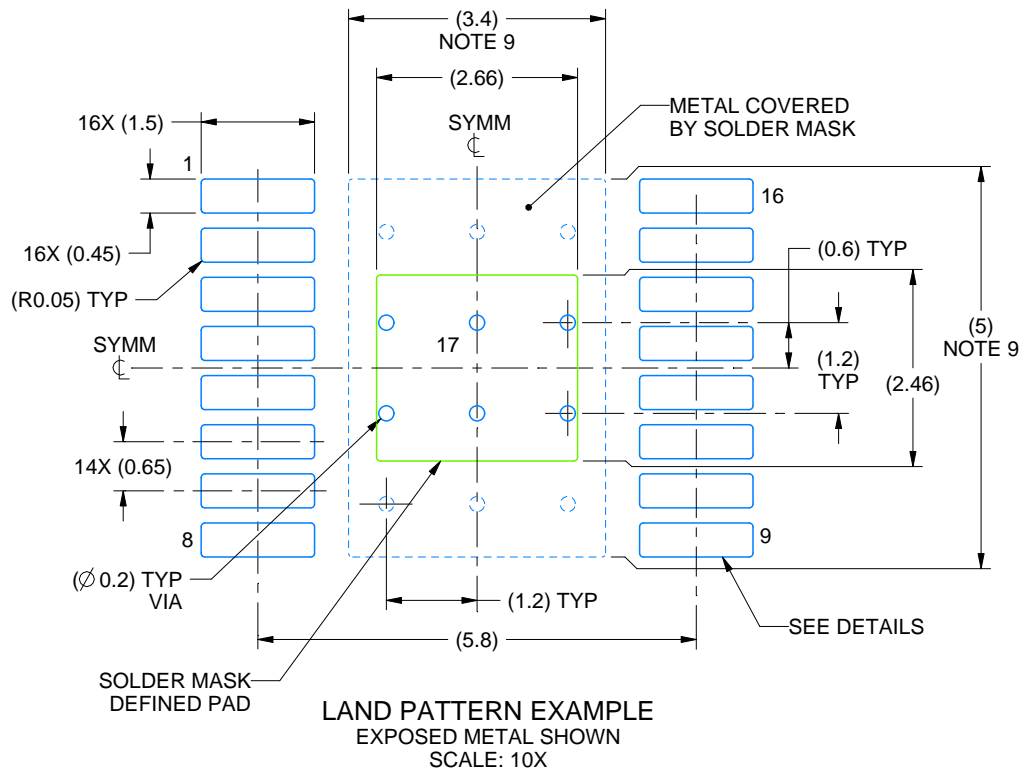
1. All linear dimensions are in millimeters. Any dimensions in parenthesis are for reference only. Dimensioning and tolerancing per ASME Y14.5M.
2. This drawing is subject to change without notice.
3. This dimension does not include mold flash, protrusions, or gate burrs. Mold flash, protrusions, or gate burrs shall not exceed 0.15 mm per side.
4. Reference JEDEC registration MO-153.
5. Features may differ or may not be present.

EXAMPLE BOARD LAYOUT

PWP0016H

PowerPAD™ TSSOP - 1.2 mm max height

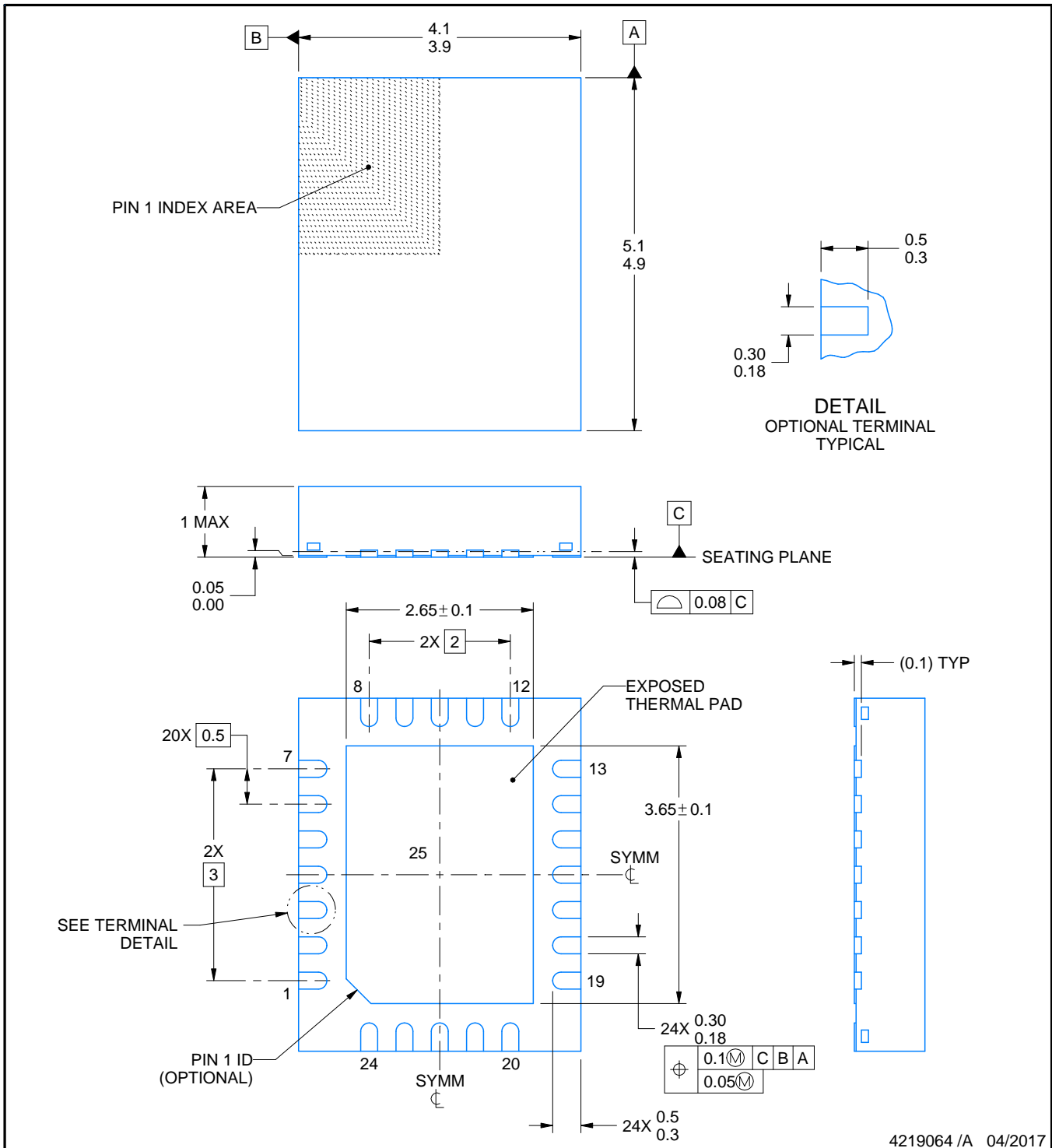
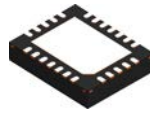
SMALL OUTLINE PACKAGE



4223630/A 04/2017

NOTES: (continued)

6. Publication IPC-7351 may have alternate designs.
7. Solder mask tolerances between and around signal pads can vary based on board fabrication site.
8. This package is designed to be soldered to a thermal pad on the board. For more information, see Texas Instruments literature numbers SLMA002 (www.ti.com/lit/slma002) and SLMA004 (www.ti.com/lit/slma004).
9. Size of metal pad may vary due to creepage requirement.
10. Vias are optional depending on application, refer to device data sheet. It is recommended that vias under paste be filled, plugged or tented.



4219064 /A 04/2017

NOTES:

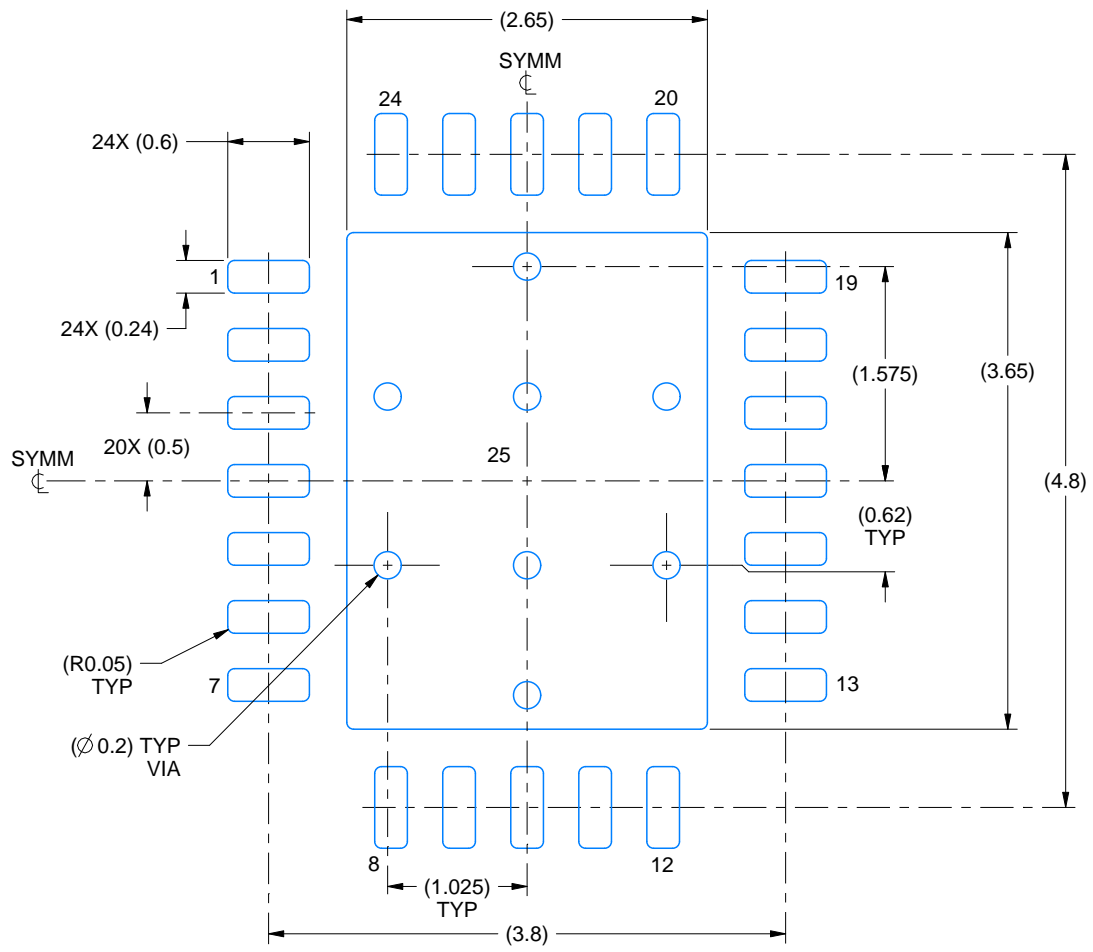
1. All linear dimensions are in millimeters. Any dimensions in parenthesis are for reference only. Dimensioning and tolerancing per ASME Y14.5M.
2. This drawing is subject to change without notice.
3. The package thermal pad must be soldered to the printed circuit board for thermal and mechanical performance.

EXAMPLE BOARD LAYOUT

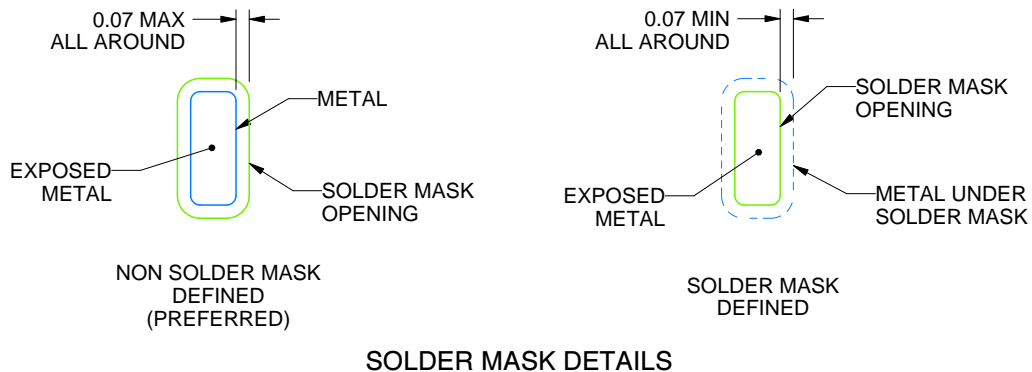
RHF0024A

VQFN - 1 mm max height

PLASTIC QUAD FLATPACK - NO LEAD



LAND PATTERN EXAMPLE
EXPOSED METAL SHOWN
SCALE:18X



SOLDER MASK DETAILS

4219064 /A 04/2017

NOTES: (continued)

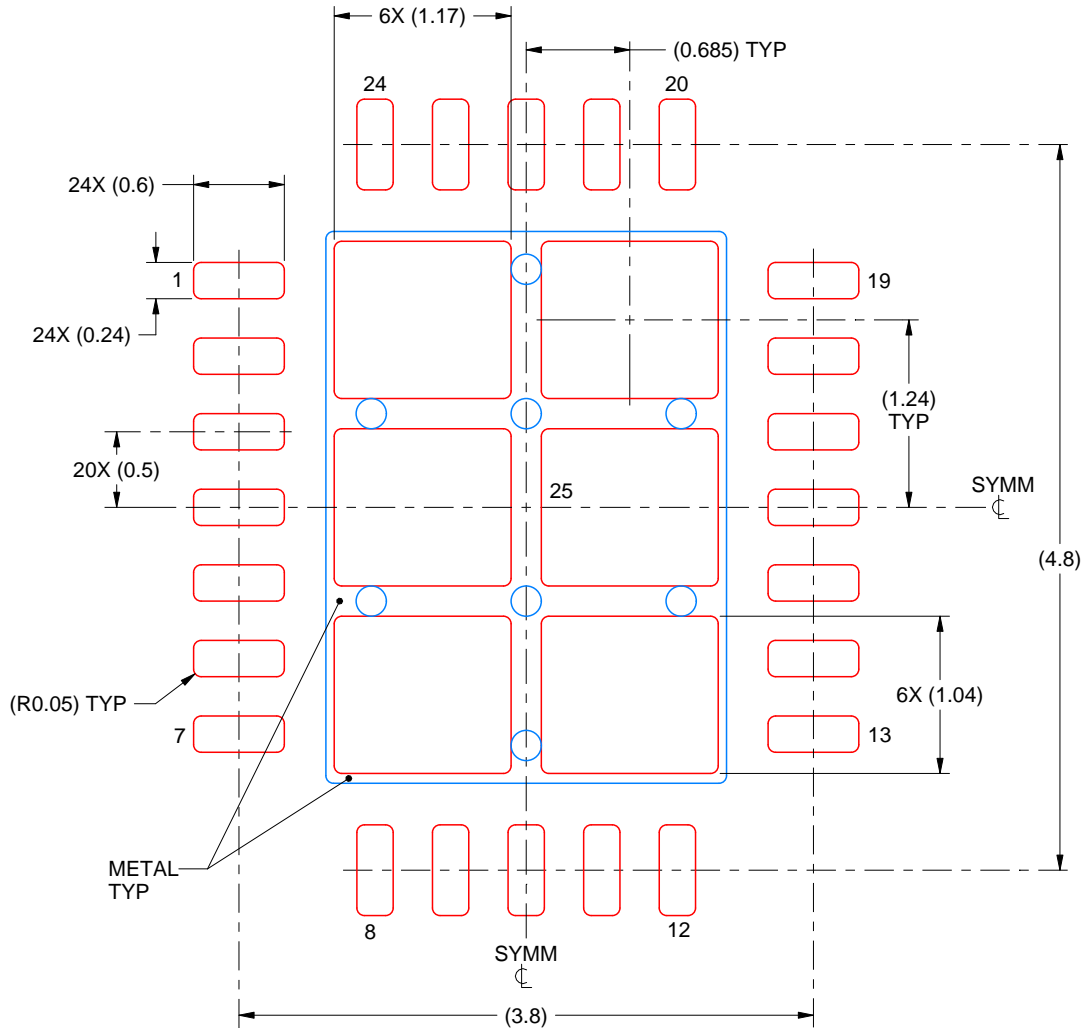
- This package is designed to be soldered to a thermal pad on the board. For more information, see Texas Instruments literature number SLUA271 (www.ti.com/lit/slua271).
- Vias are optional depending on application, refer to device data sheet. If any vias are implemented, refer to their locations shown on this view. It is recommended that vias under paste be filled, plugged or tented.

EXAMPLE STENCIL DESIGN

RHF0024A

VQFN - 1 mm max height

PLASTIC QUAD FLATPACK - NO LEAD



SOLDER PASTE EXAMPLE
 BASED ON 0.125 mm THICK STENCIL

EXPOSED PAD 25
 75% PRINTED SOLDER COVERAGE BY AREA UNDER PACKAGE
 SCALE:20X

4219064 /A 04/2017

NOTES: (continued)

6. Laser cutting apertures with trapezoidal walls and rounded corners may offer better paste release. IPC-7525 may have alternate design recommendations.

IMPORTANT NOTICE AND DISCLAIMER

TI PROVIDES TECHNICAL AND RELIABILITY DATA (INCLUDING DATA SHEETS), DESIGN RESOURCES (INCLUDING REFERENCE DESIGNS), APPLICATION OR OTHER DESIGN ADVICE, WEB TOOLS, SAFETY INFORMATION, AND OTHER RESOURCES "AS IS" AND WITH ALL FAULTS, AND DISCLAIMS ALL WARRANTIES, EXPRESS AND IMPLIED, INCLUDING WITHOUT LIMITATION ANY IMPLIED WARRANTIES OF MERCHANTABILITY, FITNESS FOR A PARTICULAR PURPOSE OR NON-INFRINGEMENT OF THIRD PARTY INTELLECTUAL PROPERTY RIGHTS.

These resources are intended for skilled developers designing with TI products. You are solely responsible for (1) selecting the appropriate TI products for your application, (2) designing, validating and testing your application, and (3) ensuring your application meets applicable standards, and any other safety, security, regulatory or other requirements.

These resources are subject to change without notice. TI grants you permission to use these resources only for development of an application that uses the TI products described in the resource. Other reproduction and display of these resources is prohibited. No license is granted to any other TI intellectual property right or to any third party intellectual property right. TI disclaims responsibility for, and you will fully indemnify TI and its representatives against, any claims, damages, costs, losses, and liabilities arising out of your use of these resources.

TI's products are provided subject to [TI's Terms of Sale](#) or other applicable terms available either on ti.com or provided in conjunction with such TI products. TI's provision of these resources does not expand or otherwise alter TI's applicable warranties or warranty disclaimers for TI products.

TI objects to and rejects any additional or different terms you may have proposed.

Mailing Address: Texas Instruments, Post Office Box 655303, Dallas, Texas 75265
Copyright © 2022, Texas Instruments Incorporated

单击下面可查看定价，库存，交付和生命周期等信息

[>>TI\(德州仪器\)](#)