

DCP02 Series, 2-W, 1000-V_{RMS} Isolated, Unregulated DC/DC Converter Modules

1 Features

- 1-kV Isolation (operational): 1-second test
- Continuous voltage applied across isolation barrier: **60 VDC / 42.5 VAC**
- UL1950 recognized component
- EN55022 class B EMC performance
- 7-Pin PDIP and 12-pin SOP packages
- Input voltage: 5 V, 12 V, 15 V, or 24 V
- Output voltage: 3.3 V, ± 5 V, 7 V, 9 V, ± 12 V, or ± 15 V
- Device-to-device synchronization
- Thermal protection
- Short-circuit protection
- High efficiency

2 Applications

- [Signal path isolation](#)
- [Ground loop elimination](#)
- [Data acquisition](#)
- [Industrial control and instrumentation](#)
- [Test equipment](#)

3 Description

The DCP02 series is a family of 2-W, isolated, unregulated DC/DC converter modules. Requiring a minimum of external components and including on-chip device protection, the DCP02 series of devices provide extra features such as output disable and synchronization of switching frequencies.

This combination of features and small size makes the DCP02 series of devices suitable for a wide range of applications, and is an easy-to-use solution in applications requiring signal path isolation.

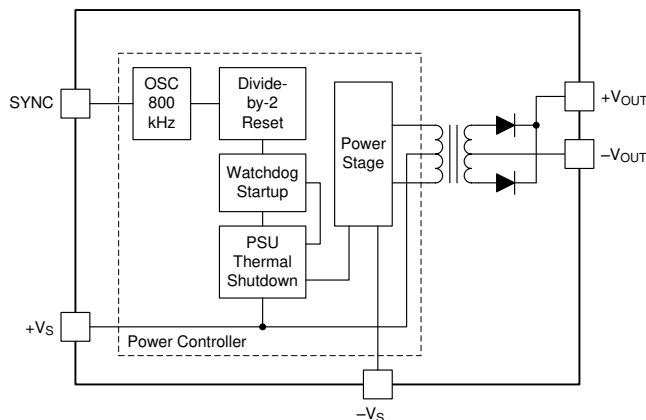
WARNING

This product has operational isolation and is intended for signal isolation only. It should not be used as a part of a safety isolation circuit requiring reinforced isolation. See definitions in [Feature Description](#)

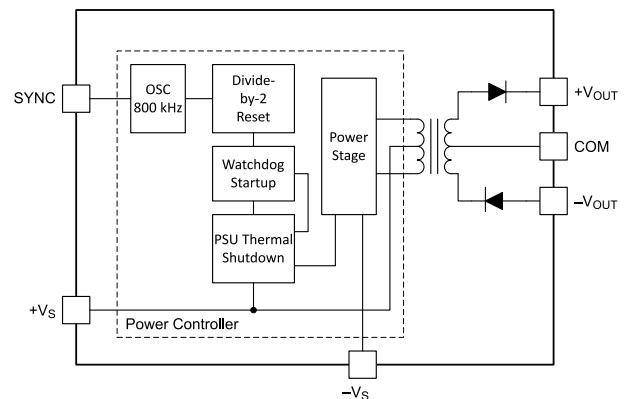
Device Information

| PART NUMBER | PACKAGE ⁽¹⁾ | BODY SIZE (NOM) |
|-------------|------------------------|---------------------|
| DCP02xxxx | PDIP (7) | 19.18 mm × 10.60 mm |
| | SOP (12) | 17.90 mm × 10.33 mm |

(1) For all available packages, see the orderable addendum at the end of the data sheet.



Single Output Block Diagram



Dual Output Block Diagram



An IMPORTANT NOTICE at the end of this data sheet addresses availability, warranty, changes, use in safety-critical applications, intellectual property matters and other important disclaimers. PRODUCTION DATA.

Device Comparison Table

| DEVICE NUMBER | INPUT VOLTAGE V_s (V) | | | OUTPUT VOLTAGE V_{NOM} @ V_s (TYP)(V) 75% LOAD | | | DEVICE OUTPUT CURRENT (mA) ⁽³⁾ | LOAD REGULATION 10% TO 100% LOAD ⁽¹⁾ | | NO LOAD CURRENT I_Q (mA) 0% LOAD | EFFICIENCY (%) 100% LOAD | BARRIER CAPACITANCE C_{ISO} (pF) $V_{ISO} = 750V_{rms}$ |
|----------------------------|-------------------------|-----|------|--|-----|--------|---|---|-----|------------------------------------|--------------------------|---|
| | MIN | TYP | MAX | MIN | TYP | MAX | MAX | TYP | MAX | TYP | TYP | TYP |
| DCP020503P DCP020503U | 4.5 | 5 | 5.5 | 3.13 | 3.3 | 3.46 | 600 | 19 | 30 | 18 | 74 | 26 |
| DCP020505P DCP020505U | | | | 4.75 | 5 | 5.25 | 400 | 14 | 20 | 18 | 80 | 22 |
| DCP020507P DCP020507U | | | | 6.65 | 7 | 7.35 | 285 | 14 | 25 | 20 | 81 | 30 |
| DCP020509P DCP020509U | | | | 8.55 | 9 | 9.45 | 222 | 12 | 20 | 23 | 82 | 31 |
| DCP020515DP DCP020515DU | | | | ±14.25 | ±15 | ±15.75 | 133 ⁽²⁾ | 11 | 20 | 27 | 85 | 24 |
| DCP021205P DCP021205U | 10.8 | 12 | 13.2 | 4.75 | 5 | 5.25 | 400 | 7 | 15 | 14 | 83 | 33 |
| DCP021212P DCP021212U | | | | 11.4 | 12 | 12.6 | 166 | 7 | 20 | 15 | 87 | 47 |
| DCP021212DP DCP021212DU | | | | ±11.4 | ±12 | ±12.6 | 166 ⁽²⁾ | 6 | 20 | 16 | 88 | 35 |
| DCP021515P DCP021515U | 13.5 | 15 | 16.5 | 14.25 | 15 | 15.75 | 133 | 6 | 20 | 15 | 88 | 42 |
| DCP022405P DCP022405U | 21.6 | 24 | 26.4 | 4.75 | 5 | 5.25 | 400 | 6 | 15 | 13 | 81 | 33 |
| DCP022405DP DCP022405DU | | | | ±4.75 | ±5 | ±5.25 | 400 ⁽²⁾ | 6 | 15 | 12 | 80 | 22 |
| DCP022415DP DCP022415DU | | | | ±14.25 | ±15 | ±15.75 | 133 ⁽²⁾ | 6 | 25 | 16 | 79 | 44 |

(1) Load regulation = $(V_{OUT}$ at 10% load – V_{OUT} at 100%) / V_{OUT} at 75% load

(2) $I_{OUT1} + I_{OUT2}$

(3) $P_{OUT(max)} = 2 W$

5 Pin Configuration and Functions

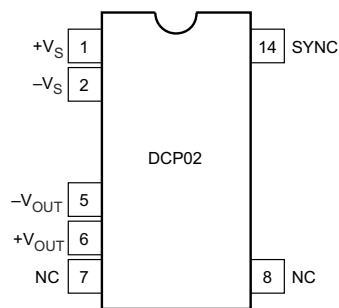


Figure 5-1. NVA Package 7-Pin PDIP (Single Output) (Top View)

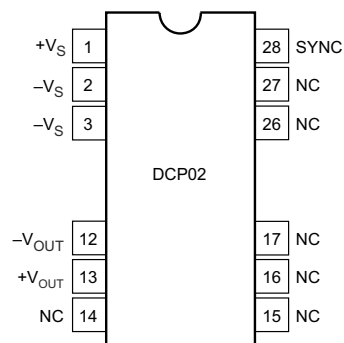


Figure 5-2. DVB PACKAGE 12-Pin SOP (Single Output) (Top View)

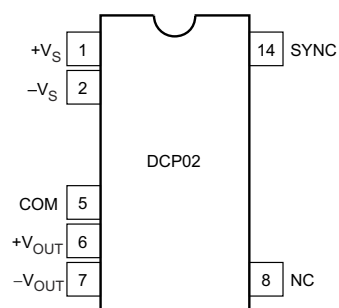


Figure 5-3. NVA Package 7-Pin PDIP (Dual Output) (Top View)

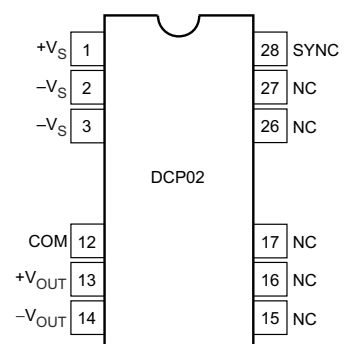


Figure 5-4. DVB Package 12-Pin SOP (Dual Output) (Top View)

Pin Functions

| PIN NAME | NUMBER | | | | I/O ⁽¹⁾ | DESCRIPTION |
|-------------------|------------|--------------|------------|--------------|--------------------|---|
| | DVB (DUAL) | DVB (SINGLE) | NVA (DUAL) | NVA (SINGLE) | | |
| COM | 12 | — | 5 | — | O | Output side common |
| NC | 15 | 14 | 8 | 7 | — | No connection |
| | | 15 | | | | |
| | 16 | 16 | | | | |
| | 17 | 17 | | | | |
| | 26 | 26 | | | | |
| 27 | 27 | 8 | | | | |
| SYNC | 28 | 28 | 14 | 14 | I | Synchronization Pin - Synchronize multiple devices by connecting their SYNC pins together. Pulling this pin low disables the internal oscillator. |
| +V _{OUT} | 13 | 13 | 6 | 6 | O | Positive output voltage |
| -V _{OUT} | 14 | 12 | 7 | 5 | O | Negative output voltage |
| +V _S | 1 | 1 | 1 | 1 | I | Input voltage |
| -V _S | 2 | 2 | 2 | 2 | I | Input side common |
| | 3 | 3 | | | | |

(1) I = Input, O = Output

6 Specifications

6.1 Absolute Maximum Ratings

over operating free-air temperature range (unless otherwise noted) ⁽¹⁾

| | | MIN | MAX | UNIT |
|---------------------------------------|--------------------|-----|-----|------|
| Input voltage | 5-V input devices | | 7 | V |
| | 12-V input devices | | 15 | |
| | 15-V input devices | | 18 | |
| | 24-V input devices | | 29 | |
| Storage temperature, T _{stg} | | -60 | 125 | °C |

- (1) Stresses beyond those listed under *Absolute Maximum Ratings* may cause permanent damage to the device. These are stress ratings only, which do not imply functional operation of the device at these or any other conditions beyond those indicated under *Recommended Operating Conditions*. Exposure to absolute-maximum-rated conditions for extended periods may affect device reliability.

6.2 ESD Ratings

| | | VALUE | UNIT |
|--|--|-------|------|
| V _(ESD) Electrostatic discharge | Human-body model (HBM), per ANSI/ESDA/JEDEC JS-001 ⁽¹⁾ | ±1000 | V |
| | Charged-device model (CDM), per JEDEC specification JESD22-C101 ⁽²⁾ | ±250 | |

- (1) JEDEC document JEP155 states that 500-V HBM allows safe manufacturing with a standard ESD control process.
 (2) JEDEC document JEP157 states that 250-V CDM allows safe manufacturing with a standard ESD control process.

6.3 Recommended Operating Conditions

over operating free-air temperature range (unless otherwise noted)

| | | MIN | NOM | MAX | UNIT |
|-----------------------|--------------------|------|-----|------|------|
| Input Voltage | 5-V input devices | 4.5 | 5 | 5.5 | V |
| | 12-V input devices | 10.8 | 12 | 13.2 | |
| | 15-V input devices | 13.5 | 15 | 16.5 | |
| | 24-V input devices | 21.6 | 24 | 26.4 | |
| Operating temperature | | -40 | | 85 | °C |

6.4 Thermal Information

| THERMAL METRIC ⁽¹⁾ | | DCP020x | DCP020x | UNIT |
|-------------------------------|--|------------|-----------|------|
| | | NVA (PDIP) | DVB (SOP) | |
| | | 7 PINS | 12 PINS | |
| R _{θJA} | Junction-to-ambient thermal resistance | 61 | 61 | °C/W |
| R _{θJC(top)} | Junction-to-case (top) thermal resistance | 19 | 19 | |
| R _{θJB} | Junction-to-board thermal resistance | 24 | 24 | |
| ψ _{JT} | Junction-to-top characterization parameter | 7 | 7 | |
| ψ _{JB} | Junction-to-board characterization parameter | 24 | 24 | |
| R _{θJC(bot)} | Junction-to-case (bottom) thermal resistance | N/A | N/A | |

- (1) For more information about traditional and new thermal metrics, see the *Semiconductor and IC Package Thermal Metrics* application report, [SPRA953](#).

6.5 Electrical Characteristics

over operating free-air temperature range (unless otherwise noted)

| PARAMETER | | TEST CONDITIONS | MIN | TYP | MAX | UNIT |
|-------------------------|-----------------------------|--|-----------------|-------|------|------------------|
| OUTPUT | | | | | | |
| P _{OUT} | Output power | I _{LOAD} = 100% (full load) | | | 2 | W |
| V _{RIPPLE} | Output voltage ripple | C _{OUT} = 1 μF, I _{LOAD} = 50% | | 20 | | mV _{PP} |
| | Voltage vs. Temperature | -40°C ≤ T _A ≤ 25°C | | 0.046 | | %/°C |
| | | 25°C ≤ T _A ≤ 85°C | | 0.016 | | %/°C |
| INPUT | | | | | | |
| V _S | Input voltage range | | -10% | | 10% | |
| ISOLATION | | | | | | |
| V _{ISO} | Isolation | 1-second flash test | Voltage | 1 | | kVrms |
| | | | dV/dt | | 500 | V/s |
| | | | Leakage Current | | 30 | nA |
| | | Continuous working voltage across isolation barrier | DC | | 60 | VDC |
| | | | AC | | 42.5 | VAC |
| LINE REGULATION | | | | | | |
| | Output voltage | I _{OUT} ≥ 10% load current and constant, V _S (min) to V _S (typ) | | 1% | 15% | |
| | | I _{OUT} ≥ 10% load current and constant, V _S (typ) to V _S (max) | | 1% | 15% | |
| RELIABILITY | | | | | | |
| | Demonstrated | T _A = 55°C | | 75 | | FITS |
| THERMAL SHUTDOWN | | | | | | |
| T _{SD} | Die temperature at shutdown | | | 150 | | °C |
| I _{SD} | Shutdown current | | | 3 | | mA |

6.6 Switching Characteristics

over operating free-air temperature range (unless otherwise noted)

| PARAMETER | | TEST CONDITIONS | MIN | TYP | MAX | UNIT |
|----------------------|--|---------------------------------------|-----|-----|-----|------|
| f _{OSC} | Oscillator frequency | f _{SW} = f _{OSC} /2 | | 800 | | kHz |
| V _{IL} | Low-level input voltage, SYNC | | 0 | | 0.4 | V |
| I _{SYNC} | Input current, SYNC | V _{SYNC} = 2 V | | 75 | | μA |
| t _{DISABLE} | Disable time | | | 2 | | μs |
| C _{SYNC} | Capacitance loading on SYNC pin ⁽¹⁾ | External | | | 3 | pF |

(1) The application report *External Synchronization of the DCP01/02 Series of DC/DC Converters* (SBA035) describes this configuration.

6.7 Typical Characteristics

T_A = 25°C, unless otherwise noted.

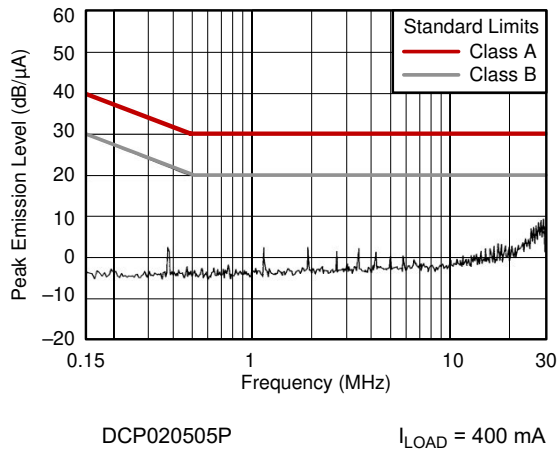


Figure 6-1. Conducted Emissions versus Frequency

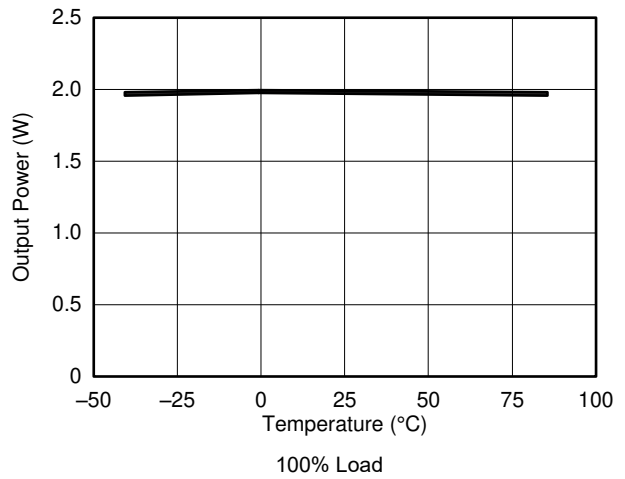


Figure 6-2. Output Power versus Temperature

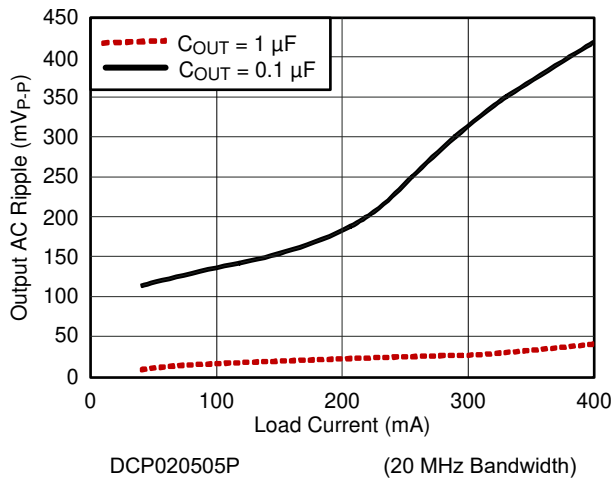


Figure 6-3. Output AC Ripple versus Load Current

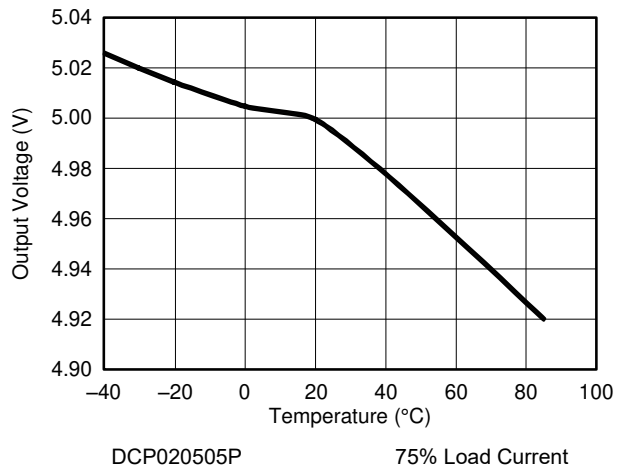


Figure 6-4. Output Voltage versus Temperature

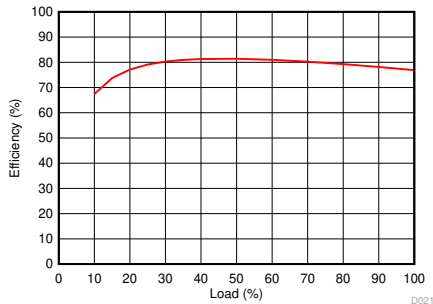
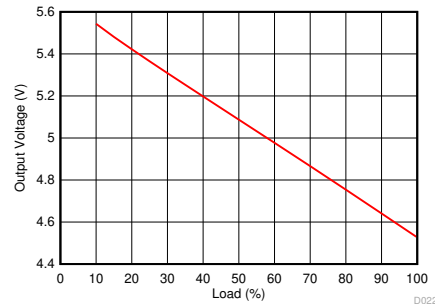


Figure 6-5. Efficiency versus Load



Note: Operations under 10% Load

Figure 6-6. Load Regulation

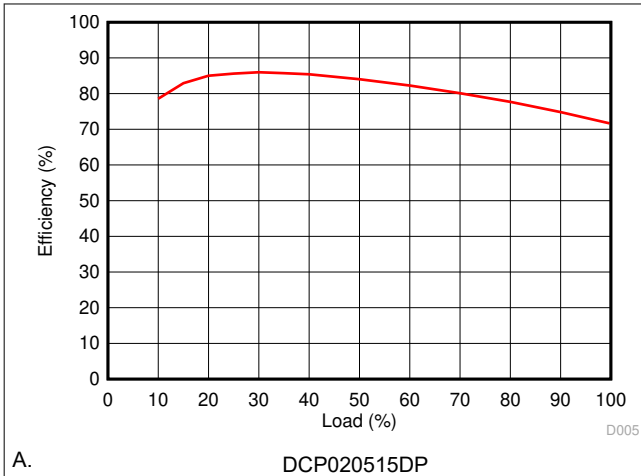


Figure 6-13. Efficiency versus Load

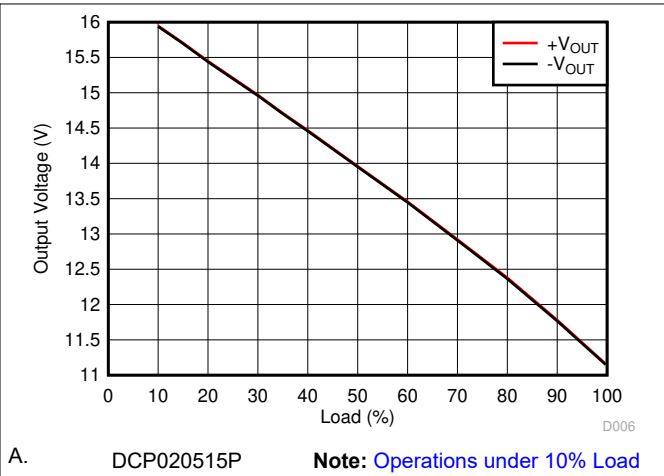


Figure 6-14. Load Regulation

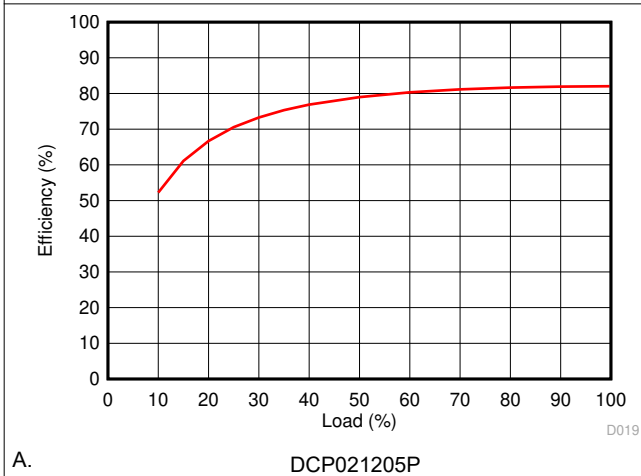


Figure 6-15. Efficiency versus Load

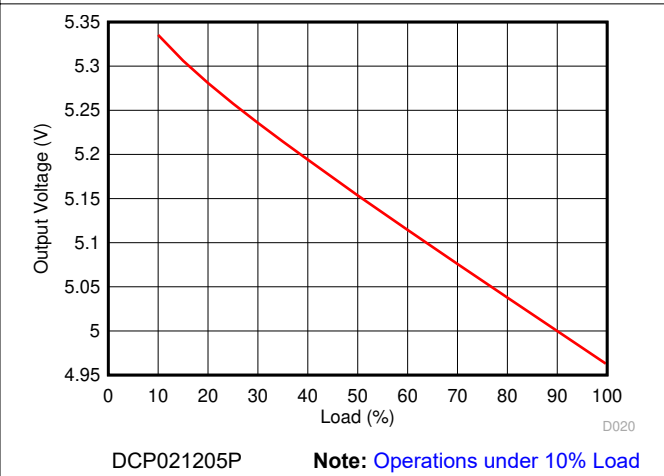


Figure 6-16. Load Regulation

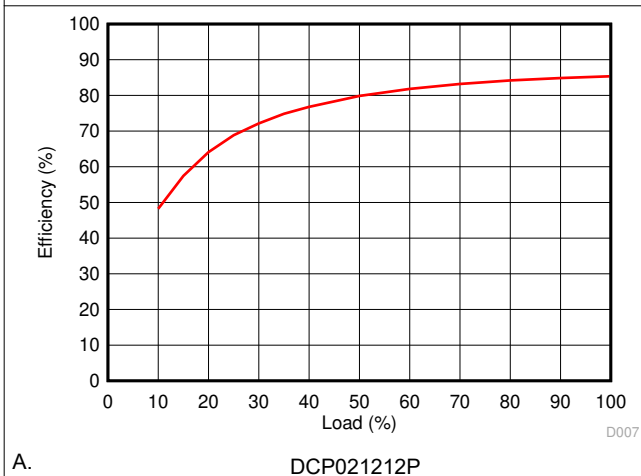


Figure 6-17. Efficiency versus Load

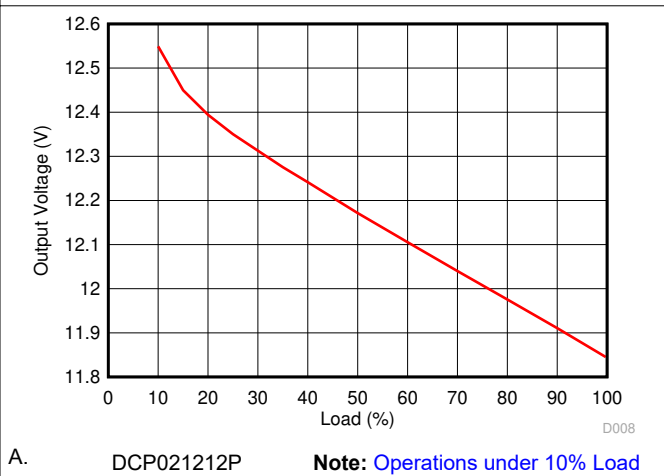


Figure 6-18. Load Regulation

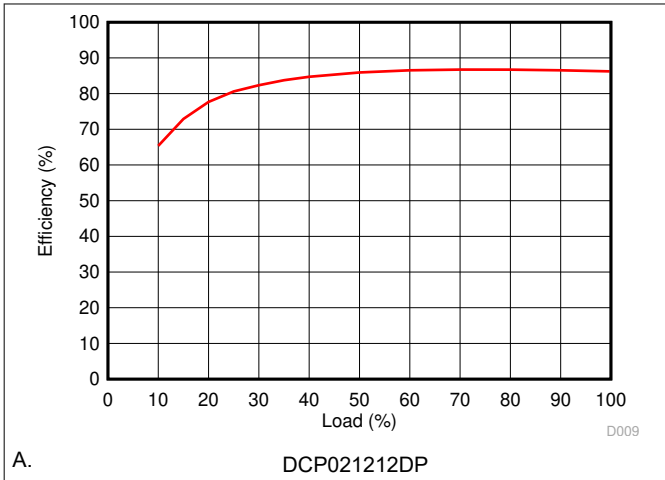


Figure 6-19. Efficiency versus Load

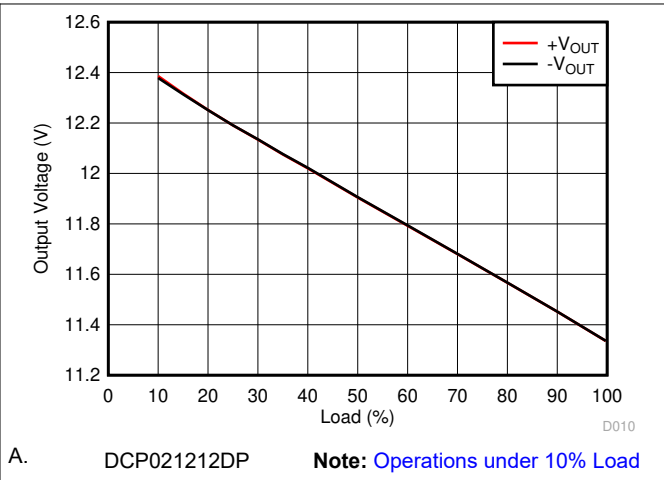


Figure 6-20. Load Regulation

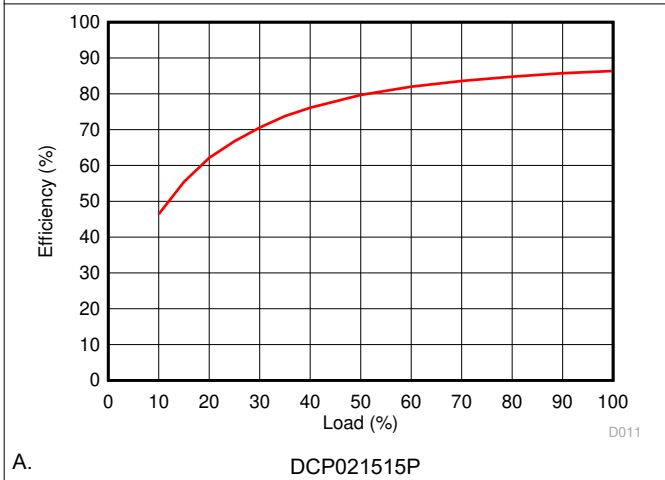


Figure 6-21. Efficiency versus Load

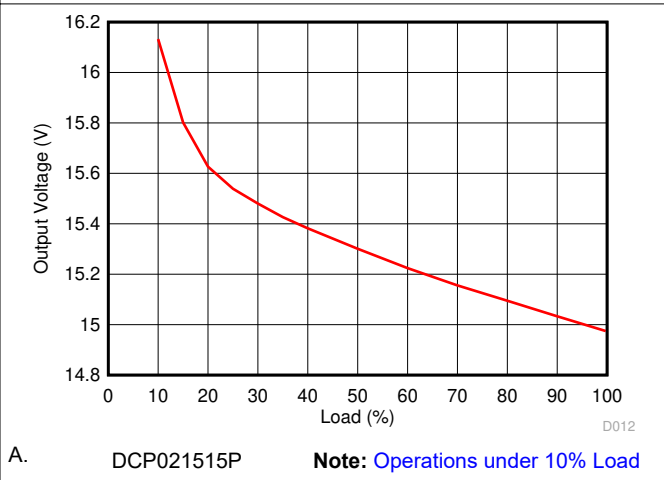


Figure 6-22. Load Regulation

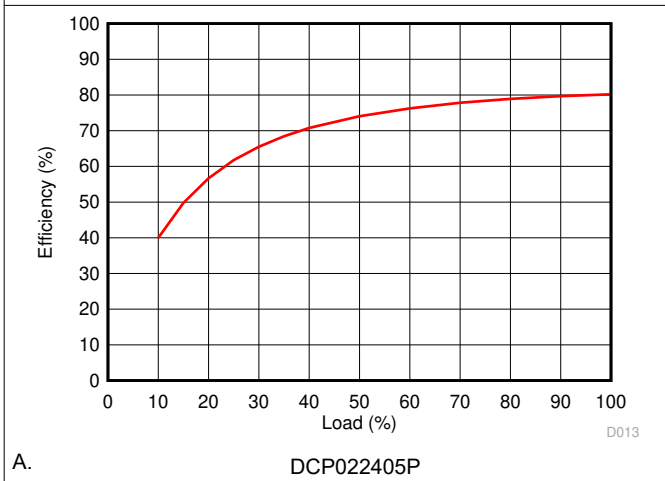


Figure 6-23. Efficiency versus Load

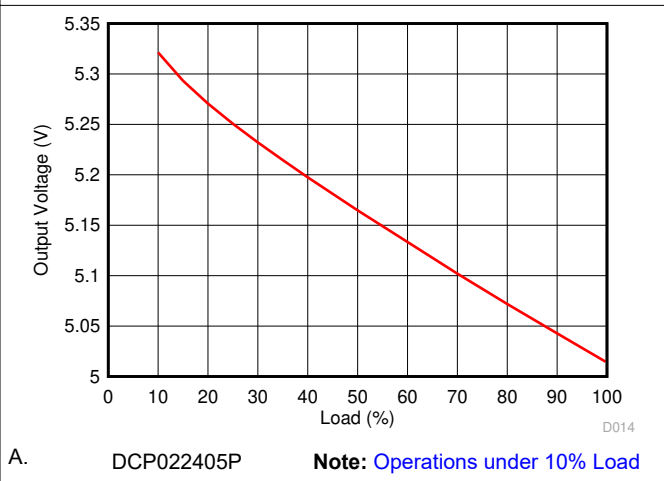


Figure 6-24. Load Regulation

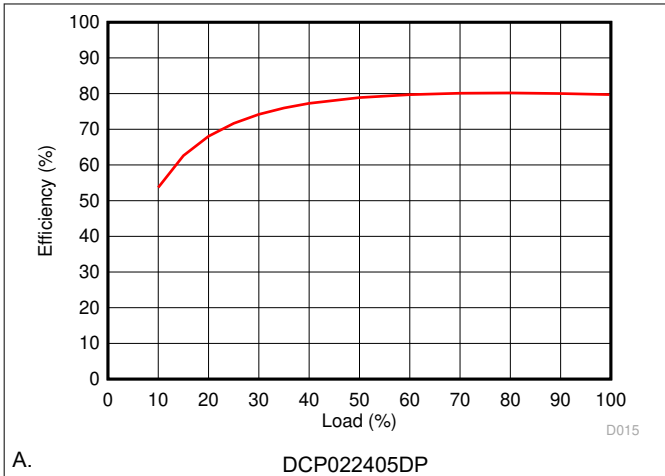


Figure 6-25. Efficiency versus Load

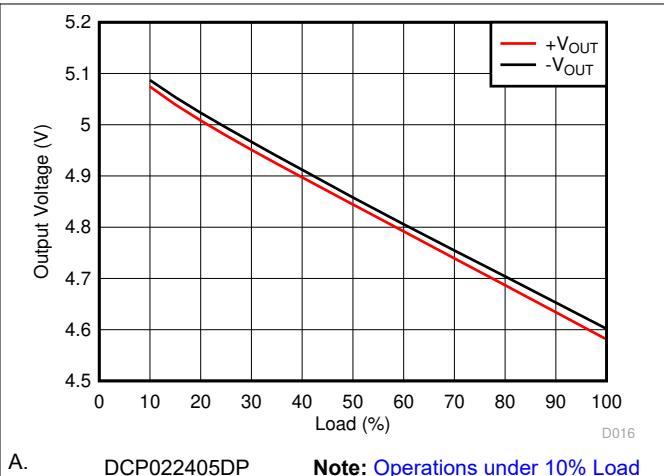


Figure 6-26. Load Regulation

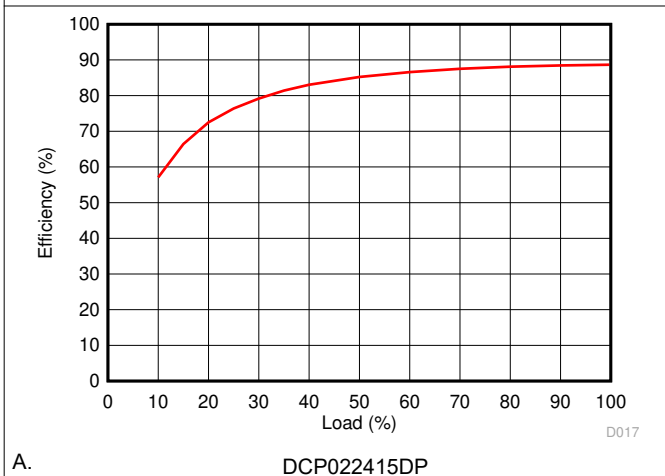


Figure 6-27. Efficiency versus Load

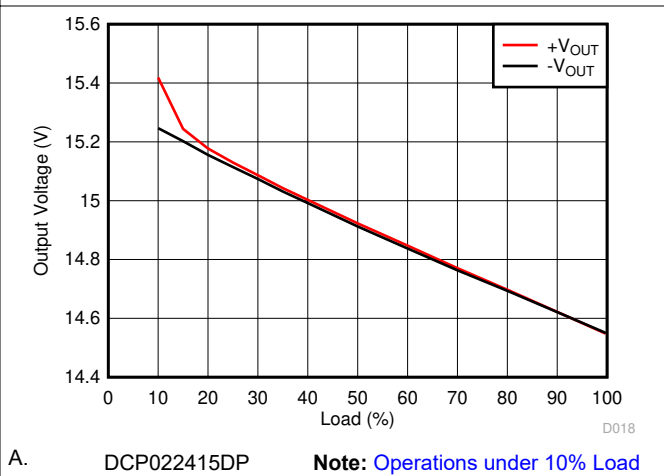


Figure 6-28. Load Regulation

7 Detailed Description

7.1 Overview

The DCP02 offers up to 2 W of isolated, unregulated output power from a 5-V, 12-V, 15-V, or 24-V input source with a typical efficiency of up to 89%. This efficiency is achieved through highly integrated packaging technology and the implementation of a custom power stage and control device. The DCP02 devices are specified for operational isolation only. The circuit design uses an advanced BiCMOS and DMOS process.

7.2 Functional Block Diagrams

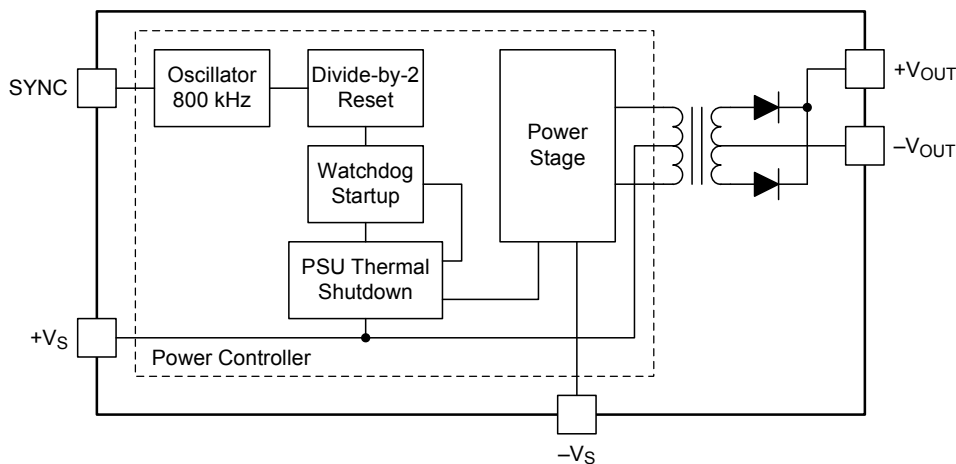


Figure 7-1. Single Output Device

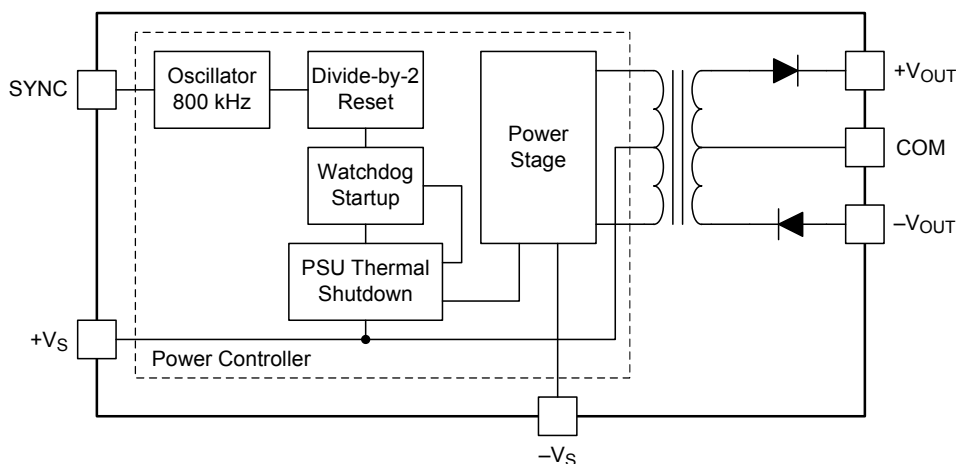


Figure 7-2. Dual Output Device

7.3 Feature Description

7.3.1 Isolation

Underwriters Laboratories, UL™ defines several classes of isolation that are used in modern power supplies.

Safety extra low voltage (SELV) is defined by UL (UL1950 E199929) as a secondary circuit which is so designated and protected that under normal and single fault conditions the voltage between any two accessible parts, or between an accessible part and the equipment earthing terminal for operational isolation does not exceed steady state 42.5 V peak or 60 V_{DC} for more than 1 second.

7.3.1.1 Operation or Functional Isolation

Operational or functional isolation is defined by the use of a high-potential (hipot) test only. Typically, this isolation is defined as the use of insulated wire in the construction of the transformer as the primary isolation barrier. The hipot one-second duration test (dielectric voltage, withstand test) is a production test used to verify that the isolation barrier is functioning. Products with operational isolation should never be used as an element in a safety-isolation system.

7.3.1.2 Basic or Enhanced Isolation

Basic or enhanced isolation is defined by specified creepage and clearance limits between the primary and secondary circuits of the power supply. Basic isolation is the use of an isolation barrier in addition to the insulated wire in the construction of the transformer. Input and output circuits must also be physically separated by specified distances.

7.3.1.3 Continuous Voltage

For a device that has no specific safety agency approvals (operational isolation), the continuous voltage that can be applied across the part in normal operation is less than 42.5 V_{RMS} or 60 V_{DC}. Ensure that both input and output voltages maintain normal SELV limits. The isolation test voltage represents a measure of immunity to transient voltages.

WARNING

Do not use the device as an element of a safety isolation system that exceeds the SELV limit.

If the device is expected to function correctly with more than 42.5 V_{RMS} or 60 V_{DC} applied continuously across the isolation barrier, then the circuitry on both sides of the barrier must be regarded as operating at an unsafe voltage, and further isolation or insulation systems must form a barrier between these circuits and any user-accessible circuitry according to safety standard requirements.

7.3.1.4 Isolation Voltage

Hipot test, flash-tested, withstand voltage, proof voltage, dielectric withstand voltage, and isolation test voltage are all terms that relate to the same thing: a test voltage applied for a specified time across a component designed to provide electrical isolation to verify the integrity of that isolation. TI's DCP02 series of dc-dc converters are all 100% production tested at 1.0 kV_{AC} for one second.

7.3.1.5 Repeated High-Voltage Isolation Testing

Repeated high-voltage isolation testing of a barrier component can degrade the isolation capability, depending on materials, construction, and environment. The DCP02 series of dc-dc converters have toroidal, enameled, wire isolation transformers with no additional insulation between the primary and secondary windings. While a device can be expected to withstand several times the stated test voltage, the isolation capability depends on the wire insulation. Any material, including this enamel (typically polyurethane), is susceptible to eventual chemical degradation when subject to very-high applied voltages. Therefore, strictly limit the number of high-voltage tests and repeated high-voltage isolation testing. However, if it is absolutely required, reduce the voltage by 20% from specified test voltage with a duration limit of one second per test.

7.3.2 Power Stage

The DCP02 series of devices use a push-pull, center-tapped topology. The DCP02 devices switch at 400 kHz (divide-by-2 from an 800-kHz oscillator).

7.3.3 Oscillator And Watchdog Circuit

The onboard, 800-kHz oscillator generates the switching frequency via a divide-by-2 circuit. The oscillator can be synchronized to other DCP02-series device circuits or an external source, and is used to minimize system noise.

A watchdog circuit checks the operation of the oscillator circuit. The oscillator can be disabled by pulling the SYNC pin low. When the SYNC pin goes low, the output pins transition into tri-state mode, which occurs within 2 μ s.

7.3.4 Thermal Shutdown

The DCP02 series of devices are protected by a thermal-shutdown circuit.

If the on-chip temperature rises above 150°C, the device shuts down. Normal operation resumes as soon as the temperature falls below 150°C.

7.3.5 Synchronization

In the event that more than one DC/DC converter is needed onboard, beat frequencies and other electrical interference can be generated. This interference occurs because of the small variations in switching frequencies between the DC/DC converters.

The DCP02 series of devices overcome this interference by allowing devices to be synchronized to one another. Up to eight devices can be synchronized by connecting the SYNC pins together, taking care to minimize the capacitance of tracking. Stray capacitance (greater than 3 pF) has the effect of reducing the switching frequency, or even stopping the oscillator circuit. The maximum recommended voltage applied to the SYNC pin is 3.0 V.

For an application that uses more than eight synchronized devices use an external device to drive the SYNC pins. The application report [External Synchronization of the DCP01/02 Series of DC/DC Converters](#) describes this configuration.

Note

During the start-up period, all synchronized devices draw maximum current from the input simultaneously. If the input voltage falls below approximately 4 V, the devices may not start up. A 2.2- μ F capacitor should be connected close to each device's input pin.

7.3.6 Light Load Operation (< 10%)

Operation below 10% load can cause the output voltage to increase up to double the typical output voltage. For applications that operate less than 10% of rated output current, it is recommended to add a minimum load to ensure the output voltage of the device is within the load regulation range. For example, connect a 125- Ω pre-load resistor to meet the 10% minimum load condition for the DCP020505P.

7.3.7 Load Regulation (10% to 100%)

The load regulation of the DCP02 series of devices is specified at 10% to 100% load placing a minimum 10% load will ensure the output voltage is within the range specified in the [Section 6.5](#) table. For more information regarding operation below 10% load, see the [Section 7.3.6](#) section.

7.3.8 Construction

The basic construction of the DCP02 series of devices is the same as standard integrated circuits. The molded package contains no substrate. The DCP02 series of devices are constructed using an IC, rectifier diodes, and a wound magnetic toroid on a leadframe. Because the package contains no solder, the devices do not require any special printed circuit board (PCB) assembly processing. This architecture results in an isolated DC/DC converter with inherently high reliability.

7.3.9 Thermal Management

Due to the high power density of this device, it is advisable to provide ground planes on the input and output.

7.3.10 Power-Up Characteristics

The DCP02 series of devices do not include a soft-start feature. Therefore, a high in-rush current during power up is expected. To ensure a more stable start-up, allow the input voltage to be in regulation before enabling the device. Refer to the [Section 7.4.1](#) section on how to disable/enable the device. [Figure 7-6](#) shows the typical start-up waveform for a DCP020505P when enabled after the input voltage is in regulation. [Figure 7-3](#) shows the typical start-up waveform for a DCP020505P, operating from a 5-V input with no load on the output. [Figure 7-4](#) shows the start-up waveform for a DCP020505P starting up into a 10% load. [Figure 7-5](#) shows the start-up waveform into a full (100%) load.

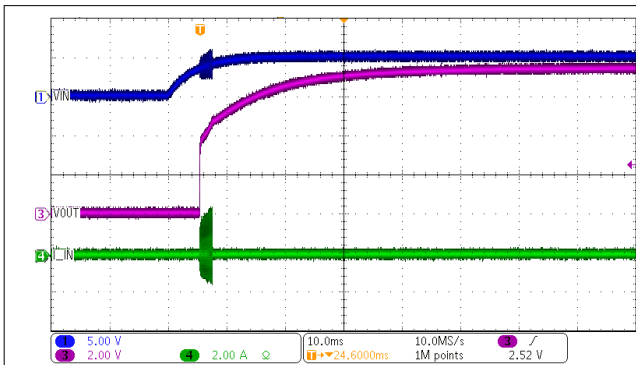


Figure 7-3. DCP020505P Start-Up at No Load

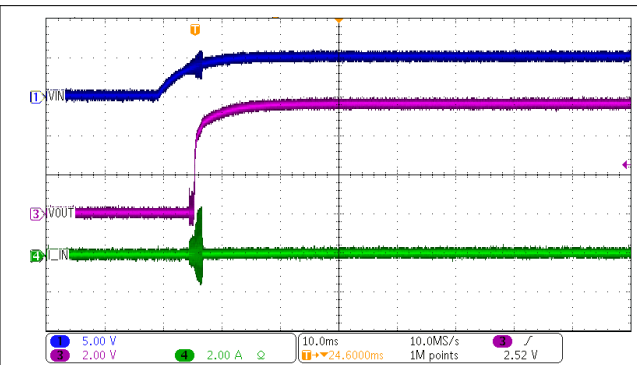


Figure 7-4. DCP020505P Start-Up at 10% Load

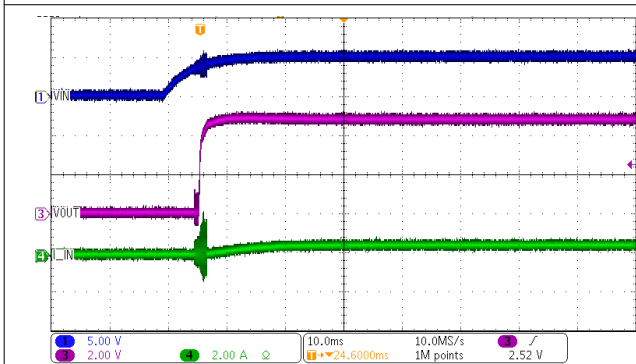


Figure 7-5. DCP020505P Start-Up at 100% Load

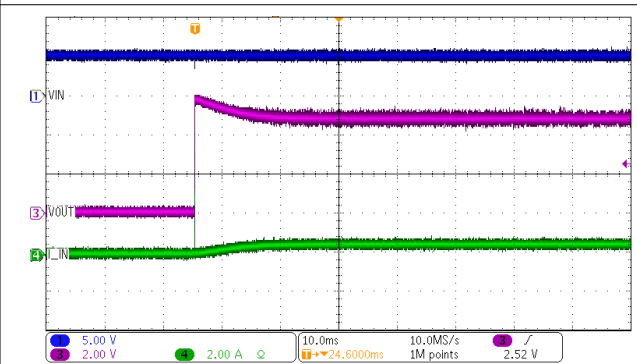


Figure 7-6. DCP020505P Enable Start-Up at 100% Load

7.4 Device Functional Modes

7.4.1 Disable/Enable (SYNC pin)

Any of the DCP02 series devices can be disabled or enabled by driving the SYNC pin using an open drain CMOS gate. If the SYNC pin is pulled low, the DCP02 becomes disabled. The disable time depends upon the external loading. The internal disable function is implemented in 2 μ s. Removal of the pull down causes the DCP02 to be enabled.

Capacitive loading on the SYNC pin should be minimized (≤ 3 pF) in order to prevent a reduction in the oscillator frequency. The application report [External Synchronization of the DCP01/02 Series of DC/DC Converters](#) describes disable/enable control circuitry.

7.4.2 Decoupling

7.4.2.1 Ripple Reduction

The high switching frequency of 400 kHz allows simple filtering. To reduce ripple, it is recommended that a minimum of 1- μ F capacitor be used on the V_{OUT} pin. For dual output devices, decouple both of the outputs to the COM pin. A 2.2- μ F capacitor on the input is also recommended.

7.4.2.2 Connecting the DCP02 in Series

Multiple DCP02 isolated 2W DC/DC converters can be connected in series to provide non-standard voltage rails. This configuration is possible by using the floating outputs provided by the galvanic isolation of the DCP02.

Connect the $+V_{OUT}$ from one DCP02 to the $-V_{OUT}$ of another (see [Figure 7-7](#)). If the SYNC pins are tied together, the self-synchronization feature of the DCP02 prevents beat frequencies on the voltage rails. The SYNC feature of the DCP02 allows easy series connection without external filtering, thus minimizing cost.

The outputs of a dual-output DCP02 can also be connected in series to provide two times the magnitude of V_{OUT} , as shown in [Figure 7-8](#). For example, connect a dual-output, 15-V, DCP022415D device to provide a 30-V rail.

All 5-V, 12-V, and 15-V input voltage designs require a 2.2- μ F, low-ESR ceramic input capacitor, while 24-V input applications require only 0.47 μ F of input capacitance.

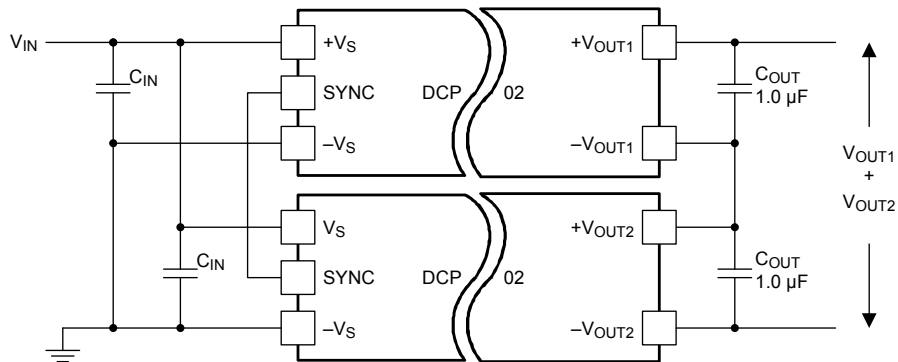


Figure 7-7. Multiple DCP02 Devices Connected in Series

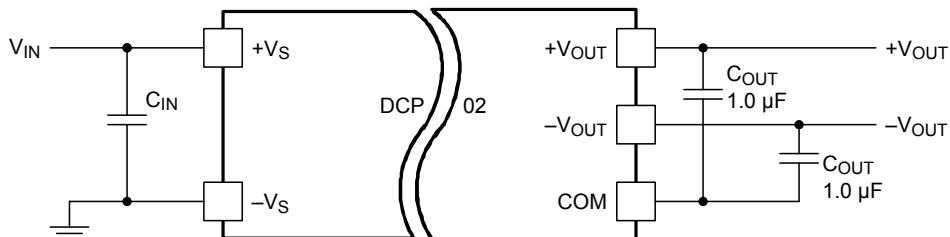


Figure 7-8. Dual Output Devices Connected in Series

7.4.2.3 Connecting the DCP02 in Parallel

If the output power from one DCP02 is not sufficient, it is possible to parallel the outputs of multiple DCP02s, as shown in Figure 7-9, (applies to single output devices only). The SYNC feature allows easy synchronization to prevent power-rail beat frequencies at no additional filtering cost.

All 5-V, 12-V, and 15-V input voltage designs require a 2.2- μF , low-ESR, ceramic input capacitor, while 24-V input applications require only 0.47 μF of input capacitance.

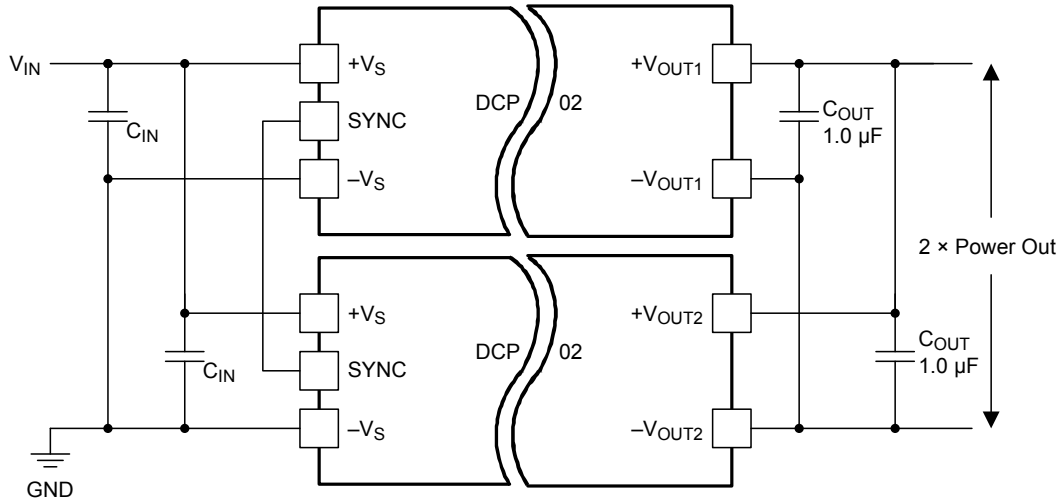
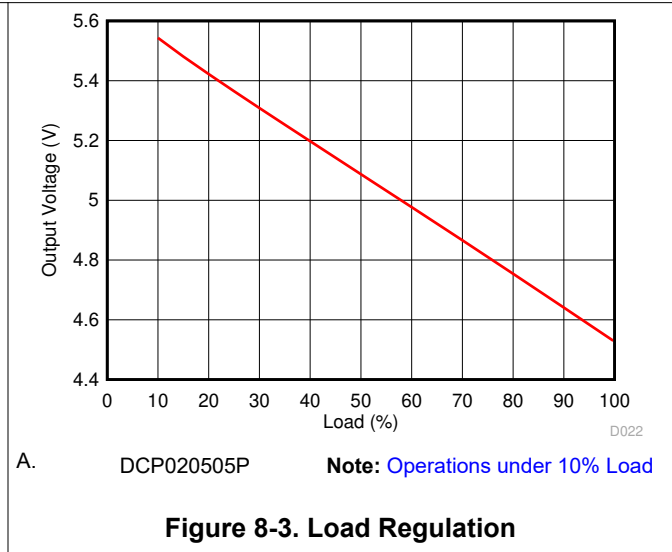
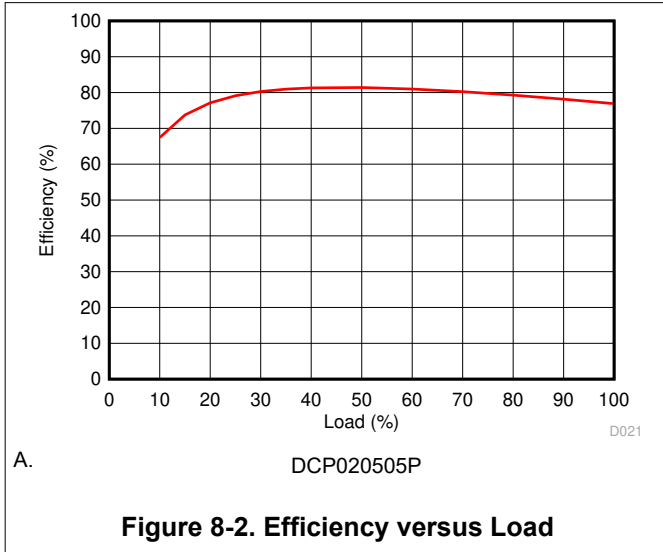


Figure 7-9. Multiple DCP02 Devices Connected in Parallel

8.2.3 DCP020505 Application Curves



8.2.4 PCB Design

The copper losses (resistance and inductance) can be minimized by the use of mutual ground and power planes (tracks) where possible. If that is not possible, use wide tracks to reduce the losses. If several devices are being powered from a common power source, a star-connected system for the track must be deployed; devices must not be connected in series, as this will cascade the resistive losses. The position of the decoupling capacitors is important. They must be as close to the devices as possible in order to reduce losses. See the [PCB Layout](#) section for more details.

8.2.5 Decoupling Ceramic Capacitors

All capacitors have losses because of internal equivalent series resistance (ESR), and to a lesser degree, equivalent series inductance (ESL). Values for ESL are not always easy to obtain. However, some manufacturers provide graphs of frequency versus capacitor impedance. These graphs typically show the capacitor impedance falling as frequency is increased (as shown in [Figure 8-4](#)). In [Figure 8-4](#), X_C is the reactance due to the capacitance, X_L is the reactance due to the ESL, and f_0 is the resonant frequency. As the frequency increases, the impedance stops decreasing and begins to rise. The point of minimum impedance indicates the resonant frequency of the capacitor. This frequency is where the components of capacitance and inductance reactance are of equal magnitude. Beyond this point, the capacitor is not effective as a capacitor.

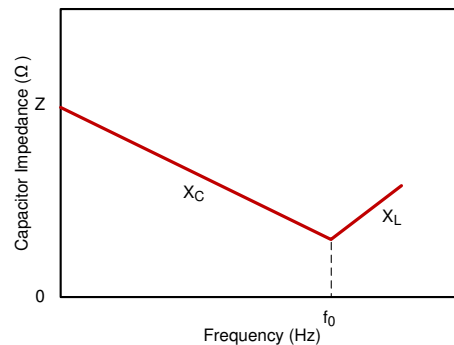


Figure 8-4. Capacitor Impedance versus Frequency

At f_0 , $X_C = X_L$; however, there is a 180° phase difference resulting in cancellation of the imaginary component. The resulting effect is that the impedance at the resonant point is the real part of the complex impedance; namely, the value of the ESR. The resonant frequency must be well above the 800-kHz switching frequency of the DCP and DCVs.

- Output capacitor of 1 μF , ESR of 0.1 Ω
- Capacitor discharge time 1% of 800-kHz (ripple frequency)

$$t_{\text{DIS}} = 0.0125 \mu\text{s}$$

$$\tau = C \times R_{\text{LOAD}}$$

$$\tau = 1 \times 10^{-6} \times 12.5 = 12.5 \mu\text{s}$$

$$V_{\text{DIS}} = V_{\text{O}}(1 - \text{EXP}(-t_{\text{DIS}} / \tau))$$

$$V_{\text{DIS}} = 5 \text{ mV}$$

By contrast, the voltage dropped because of ESR:

$$V_{\text{ESR}} = I_{\text{LOAD}} \times \text{ESR}$$

$$V_{\text{ESR}} = 40 \text{ mV}$$

$$\text{Ripple voltage} = 45 \text{ mV}$$

8.2.8 Dual DCP02 Output Voltage

The voltage output for dual DCP02 devices is half wave rectified; therefore, the discharge time is 1.25 μs . Repeating the above calculations using the 100% load resistance of 25 Ω (0.2 A per output), the results are:

$$\tau = 25 \mu\text{s}$$

$$t_{\text{DIS}} = 1.25 \mu\text{s}$$

$$V_{\text{DIS}} = 244 \text{ mV}$$

$$V_{\text{ESR}} = 20 \text{ mV}$$

$$\text{Ripple Voltage} = 266 \text{ mV}$$

This time, it is the capacitor discharging that contributes to the largest component of ripple. Changing the output filter to 10 μF , and repeating the calculations, the result is:

$$\text{Ripple Voltage} = 45 \text{ mV}$$

This value is composed of almost equal components.

The previous calculations are offered as a guideline only. Capacitor parameters usually have large tolerances and can be susceptible to environmental conditions.

8.2.9 Optimizing Performance

Optimum performance can only be achieved if the device is correctly supported. The very nature of a switching converter requires power to be instantly available when it switches on. If the converter has DMOS switching transistors, the fast edges will create a high current demand on the input supply. This transient load placed on the input is supplied by the external input decoupling capacitor, thus maintaining the input voltage. Therefore, the input supply does not see this transient (this is an analogy to high-speed digital circuits). The positioning of the capacitor is critical and must be placed as close as possible to the input pins and connected by a low-impedance path.

The optimum performance primarily depends on two factors:

- Connection of the input and output circuits for minimal loss.
- The ability of the decoupling capacitors to maintain the input and output voltages at a constant level.

Power Supply Recommendations

The DCP02 is a switching power supply, and as such can place high peak current demands on the input supply. In order to avoid the supply falling momentarily during the fast switching pulses, ground and power planes must be used to connect the power to the input of DCP02. If this connection is not possible, then the supplies must be connected in a star formation with the traces made as wide as possible.

8 Layout

8.1 Layout Guidelines

Due to the high power density of these devices, provide ground planes on the input and output.

Figure 8-4 and Figure 8-2 illustrate a printed circuit board (PCB) layout for the two conventional (DCP01/02, DCV01), and two SOP surface-mount packages (DCP02U). Figure 8-1 shows the schematic.

Including input power and ground planes provides a low-impedance path for the input power. For the output, the COM signal connects via a ground plane, while the connections for the positive and negative voltage outputs conduct through wide traces in order to minimize losses.

The output should be taken from the device using ground and power planes, thereby ensuring minimum losses.

The location of the decoupling capacitors in close proximity to their respective pins ensures low losses due to the effects of stray inductance, thus improving the ripple performance. This location is of particular importance to the input decoupling capacitor, because this capacitor supplies the transient current associated with the fast switching waveforms of the power drive circuits.

Allow the unused SYNC pin, to remain configured as a floating pad. It is advisable to place a guard ring (connected to input ground) or annulus connected around this pin to avoid any noise pick up. When connecting a SYNC pin to one or more SYNC design the linking trace to be short and narrow to avoid stray capacitance. Ensure that no other trace is in close proximity to this trace SYNC trace to decrease the stray capacitance on this pin. The stray capacitance affects the performance of the oscillator.

8.2 Layout Example

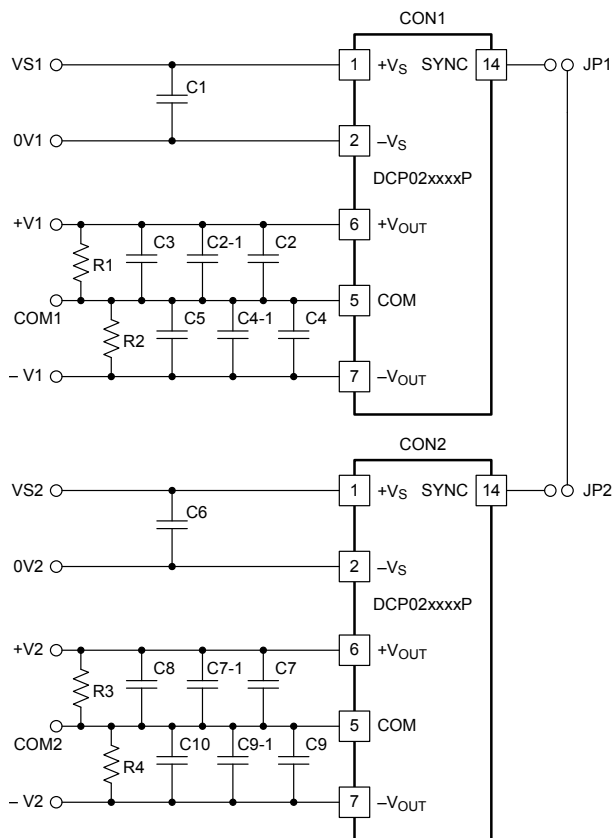


Figure 8-1. PCB Schematic, P Package

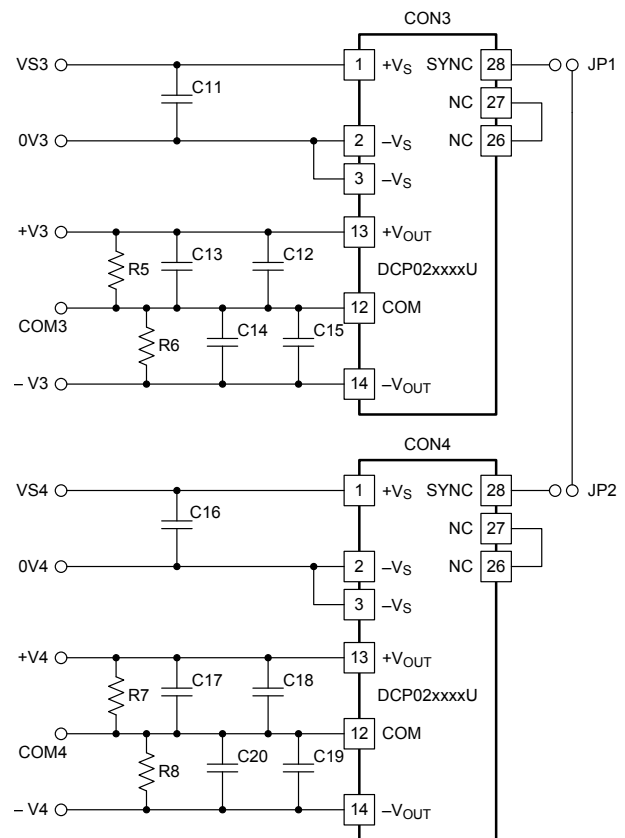


Figure 8-2. PCB Schematic, U Package

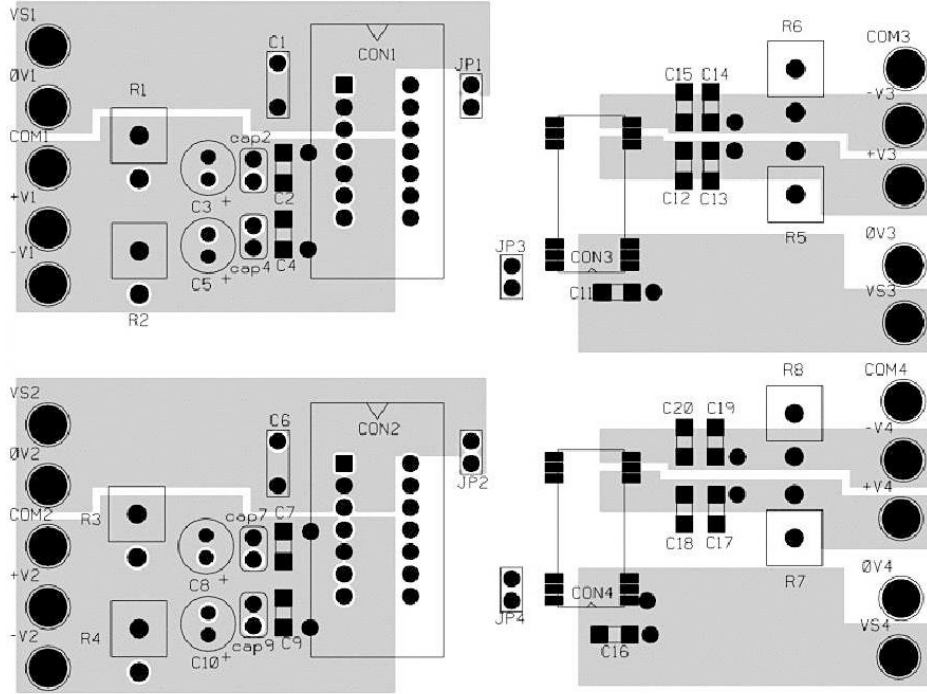


Figure 8-3. PCB Layout Example, Component-Side View

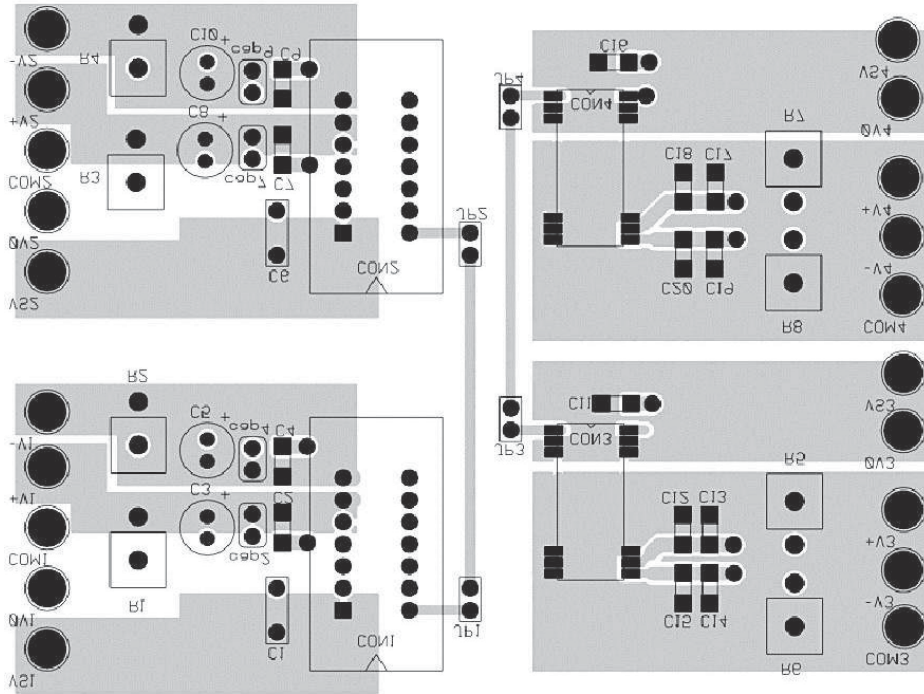


Figure 8-4. PCB Layout Example, Non-Component-Side View

9.4 Related Links

The table below lists quick access links. Categories include technical documents, support and community resources, tools and software, and quick access to sample or buy.

Table 9-1. Related Links

| PARTS | PRODUCT FOLDER | SAMPLE & BUY | TECHNICAL DOCUMENTS | TOOLS & SOFTWARE | SUPPORT & COMMUNITY |
|------------|----------------------------|----------------------------|----------------------------|----------------------------|----------------------------|
| DCP020503 | Click here | Click here | Click here | Click here | Click here |
| DCP020505 | Click here | Click here | Click here | Click here | Click here |
| DCP020507 | Click here | Click here | Click here | Click here | Click here |
| DCP020509 | Click here | Click here | Click here | Click here | Click here |
| DCP020515D | Click here | Click here | Click here | Click here | Click here |
| DCP021205 | Click here | Click here | Click here | Click here | Click here |
| DCP021212 | Click here | Click here | Click here | Click here | Click here |
| DCP021212D | Click here | Click here | Click here | Click here | Click here |
| DCP021515 | Click here | Click here | Click here | Click here | Click here |
| DCP022405 | Click here | Click here | Click here | Click here | Click here |
| DCP022405D | Click here | Click here | Click here | Click here | Click here |
| DCP022415D | Click here | Click here | Click here | Click here | Click here |

9.5 Trademarks

Underwriters Laboratories, UL™ is a trademark of UL LLC.
TI E2E™ is a trademark of Texas Instruments Incorporated.
All other trademarks are the property of their respective owners.

9.6 Receiving Notification of Documentation Updates

To receive notification of documentation updates, navigate to the device product folder on [ti.com](#). Click on *Subscribe to updates* to register and receive a weekly digest of any product information that has changed. For change details, review the revision history included in any revised document.

9.7 Electrostatic Discharge Caution



This integrated circuit can be damaged by ESD. Texas Instruments recommends that all integrated circuits be handled with appropriate precautions. Failure to observe proper handling and installation procedures can cause damage.

ESD damage can range from subtle performance degradation to complete device failure. Precision integrated circuits may be more susceptible to damage because very small parametric changes could cause the device not to meet its published specifications.

9.8 Glossary

TI Glossary This glossary lists and explains terms, acronyms, and definitions.

Mechanical, Packaging, and Orderable Information

The following pages include mechanical, packaging, and orderable information. This information is the most current data available for the designated devices. This data is subject to change without notice and revision of this document. For browser-based versions of this data sheet, refer to the left-hand navigation.

PACKAGING INFORMATION

| Orderable Device | Status (1) | Package Type | Package Drawing | Pins | Package Qty | Eco Plan (2) | Lead finish/ Ball material (6) | MSL Peak Temp (3) | Op Temp (°C) | Device Marking (4/5) | Samples |
|------------------|---------------|--------------|-----------------|------|-------------|---------------------|--------------------------------------|----------------------|--------------|-------------------------|-------------------------|
| DCP020503P | ACTIVE | PDIP | NVA | 7 | 25 | RoHS & Non-Green | NIPDAU | N / A for Pkg Type | -40 to 85 | DCP020503P | Samples |
| DCP020503U | ACTIVE | SOP | DVB | 12 | 28 | RoHS & Non-Green | NIPDAU | Level-3-260C-168 HR | -40 to 85 | DCP020503U | Samples |
| DCP020505P | ACTIVE | PDIP | NVA | 7 | 25 | RoHS & Non-Green | NIPDAU | N / A for Pkg Type | -40 to 85 | DCP020505P | Samples |
| DCP020505U | ACTIVE | SOP | DVB | 12 | 28 | RoHS & Non-Green | NIPDAU | Level-3-260C-168 HR | -40 to 85 | DCP020505U | Samples |
| DCP020505U/1K | ACTIVE | SOP | DVB | 12 | 1000 | RoHS & Non-Green | NIPDAU | Level-3-260C-168 HR | -40 to 85 | DCP020505U | Samples |
| DCP020505UE4 | ACTIVE | SOP | DVB | 12 | 28 | RoHS & Non-Green | NIPDAU | Level-3-260C-168 HR | -40 to 85 | DCP020505U | Samples |
| DCP020507P | ACTIVE | PDIP | NVA | 7 | 25 | RoHS & Non-Green | NIPDAU | N / A for Pkg Type | -40 to 85 | DCP020507P | Samples |
| DCP020507U | ACTIVE | SOP | DVB | 12 | 28 | RoHS & Non-Green | NIPDAU | Level-3-260C-168 HR | -40 to 85 | DCP020507U | Samples |
| DCP020507U/1K | ACTIVE | SOP | DVB | 12 | 1000 | RoHS & Non-Green | NIPDAU | Level-3-260C-168 HR | -40 to 85 | DCP020507U | Samples |
| DCP020509P | ACTIVE | PDIP | NVA | 7 | 25 | RoHS & Non-Green | NIPDAU | N / A for Pkg Type | -40 to 85 | DCP020509P | Samples |
| DCP020509U | ACTIVE | SOP | DVB | 12 | 28 | RoHS & Non-Green | NIPDAU | Level-3-260C-168 HR | -40 to 85 | DCP020509U | Samples |
| DCP020515DP | ACTIVE | PDIP | NVA | 7 | 25 | RoHS & Non-Green | NIPDAU | N / A for Pkg Type | -40 to 85 | DCP020515DP | Samples |
| DCP020515DU | ACTIVE | SOP | DVB | 12 | 28 | RoHS & Non-Green | NIPDAU | Level-3-260C-168 HR | -40 to 85 | DCP020515DU | Samples |
| DCP020515DU/1K | ACTIVE | SOP | DVB | 12 | 1000 | RoHS & Non-Green | NIPDAU | Level-3-260C-168 HR | -40 to 85 | DCP020515DU | Samples |
| DCP021205P | ACTIVE | PDIP | NVA | 7 | 25 | RoHS & Non-Green | NIPDAU | N / A for Pkg Type | -40 to 85 | DCP021205P | Samples |
| DCP021205U | ACTIVE | SOP | DVB | 12 | 28 | RoHS & Non-Green | NIPDAU | Level-3-260C-168 HR | -40 to 85 | DCP021205U | Samples |

| Orderable Device | Status (1) | Package Type | Package Drawing | Pins | Package Qty | Eco Plan (2) | Lead finish/ Ball material (6) | MSL Peak Temp (3) | Op Temp (°C) | Device Marking (4/5) | Samples |
|------------------|---------------|--------------|-----------------|------|-------------|------------------|--------------------------------------|----------------------|--------------|-------------------------|-------------------------|
| DCP021205U/1K | ACTIVE | SOP | DVB | 12 | 1000 | RoHS & Non-Green | NIPDAU | Level-3-260C-168 HR | -40 to 85 | DCP021205U | Samples |
| DCP021212DP | ACTIVE | PDIP | NVA | 7 | 25 | RoHS & Non-Green | NIPDAU | N / A for Pkg Type | -40 to 85 | DCP021212DP | Samples |
| DCP021212DU | ACTIVE | SOP | DVB | 12 | 28 | RoHS & Non-Green | NIPDAU | Level-3-260C-168 HR | -40 to 85 | DCP021212DU | Samples |
| DCP021212DU/1K | ACTIVE | SOP | DVB | 12 | 1000 | RoHS & Non-Green | NIPDAU | Level-3-260C-168 HR | -40 to 85 | DCP021212DU | Samples |
| DCP021212P | ACTIVE | PDIP | NVA | 7 | 25 | RoHS & Non-Green | NIPDAU | N / A for Pkg Type | -40 to 85 | DCP021212P | Samples |
| DCP021212U | ACTIVE | SOP | DVB | 12 | 28 | RoHS & Non-Green | NIPDAU | Level-3-260C-168 HR | -40 to 85 | DCP021212U | Samples |
| DCP021212U/1K | ACTIVE | SOP | DVB | 12 | 1000 | RoHS & Non-Green | NIPDAU | Level-3-260C-168 HR | -40 to 85 | DCP021212U | Samples |
| DCP021515P | ACTIVE | PDIP | NVA | 7 | 25 | RoHS & Non-Green | NIPDAU | N / A for Pkg Type | -40 to 85 | DCP021515P | Samples |
| DCP021515U | ACTIVE | SOP | DVB | 12 | 28 | RoHS & Non-Green | NIPDAU | Level-3-260C-168 HR | -40 to 85 | DCP021515U | Samples |
| DCP021515U/1K | ACTIVE | SOP | DVB | 12 | 1000 | RoHS & Non-Green | NIPDAU | Level-3-260C-168 HR | -40 to 85 | DCP021515U | Samples |
| DCP022405DP | ACTIVE | PDIP | NVA | 7 | 25 | RoHS & Non-Green | NIPDAU | N / A for Pkg Type | -40 to 85 | DCP022405DP | Samples |
| DCP022405DU | ACTIVE | SOP | DVB | 12 | 28 | RoHS & Non-Green | NIPDAU | Level-3-260C-168 HR | -40 to 85 | DCP022405DU | Samples |
| DCP022405P | ACTIVE | PDIP | NVA | 7 | 25 | RoHS & Non-Green | NIPDAU | N / A for Pkg Type | -40 to 85 | DCP022405P | Samples |
| DCP022405U | ACTIVE | SOP | DVB | 12 | 28 | RoHS & Non-Green | NIPDAU | Level-3-260C-168 HR | -40 to 85 | DCP022405U | Samples |
| DCP022415DP | ACTIVE | PDIP | NVA | 7 | 25 | RoHS & Non-Green | NIPDAU | N / A for Pkg Type | -40 to 85 | DCP022415DP | Samples |
| DCP022415DU | ACTIVE | SOP | DVB | 12 | 28 | RoHS & Non-Green | NIPDAU | Level-3-260C-168 HR | -40 to 85 | DCP022415DU | Samples |
| DCP022415DU/1K | ACTIVE | SOP | DVB | 12 | 1000 | RoHS & Non-Green | NIPDAU | Level-3-260C-168 HR | -40 to 85 | DCP022415DU | Samples |

(1) The marketing status values are defined as follows:

ACTIVE: Product device recommended for new designs.

LIFEBUY: TI has announced that the device will be discontinued, and a lifetime-buy period is in effect.

NRND: Not recommended for new designs. Device is in production to support existing customers, but TI does not recommend using this part in a new design.

PREVIEW: Device has been announced but is not in production. Samples may or may not be available.

OBSOLETE: TI has discontinued the production of the device.

(2) **RoHS:** TI defines "RoHS" to mean semiconductor products that are compliant with the current EU RoHS requirements for all 10 RoHS substances, including the requirement that RoHS substance do not exceed 0.1% by weight in homogeneous materials. Where designed to be soldered at high temperatures, "RoHS" products are suitable for use in specified lead-free processes. TI may reference these types of products as "Pb-Free".

RoHS Exempt: TI defines "RoHS Exempt" to mean products that contain lead but are compliant with EU RoHS pursuant to a specific EU RoHS exemption.

Green: TI defines "Green" to mean the content of Chlorine (Cl) and Bromine (Br) based flame retardants meet JS709B low halogen requirements of ≤ 1000 ppm threshold. Antimony trioxide based flame retardants must also meet the ≤ 1000 ppm threshold requirement.

(3) MSL, Peak Temp. - The Moisture Sensitivity Level rating according to the JEDEC industry standard classifications, and peak solder temperature.

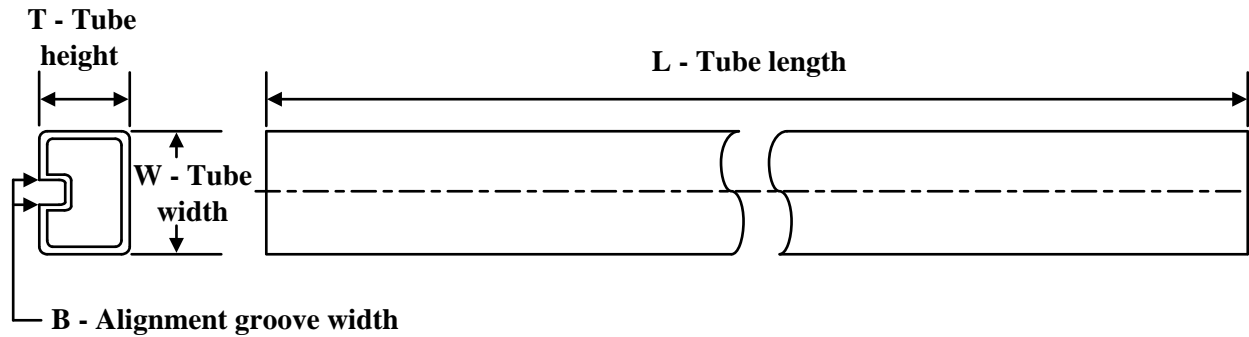
(4) There may be additional marking, which relates to the logo, the lot trace code information, or the environmental category on the device.

(5) Multiple Device Markings will be inside parentheses. Only one Device Marking contained in parentheses and separated by a "~" will appear on a device. If a line is indented then it is a continuation of the previous line and the two combined represent the entire Device Marking for that device.

(6) Lead finish/Ball material - Orderable Devices may have multiple material finish options. Finish options are separated by a vertical ruled line. Lead finish/Ball material values may wrap to two lines if the finish value exceeds the maximum column width.

Important Information and Disclaimer: The information provided on this page represents TI's knowledge and belief as of the date that it is provided. TI bases its knowledge and belief on information provided by third parties, and makes no representation or warranty as to the accuracy of such information. Efforts are underway to better integrate information from third parties. TI has taken and continues to take reasonable steps to provide representative and accurate information but may not have conducted destructive testing or chemical analysis on incoming materials and chemicals. TI and TI suppliers consider certain information to be proprietary, and thus CAS numbers and other limited information may not be available for release.

In no event shall TI's liability arising out of such information exceed the total purchase price of the TI part(s) at issue in this document sold by TI to Customer on an annual basis.

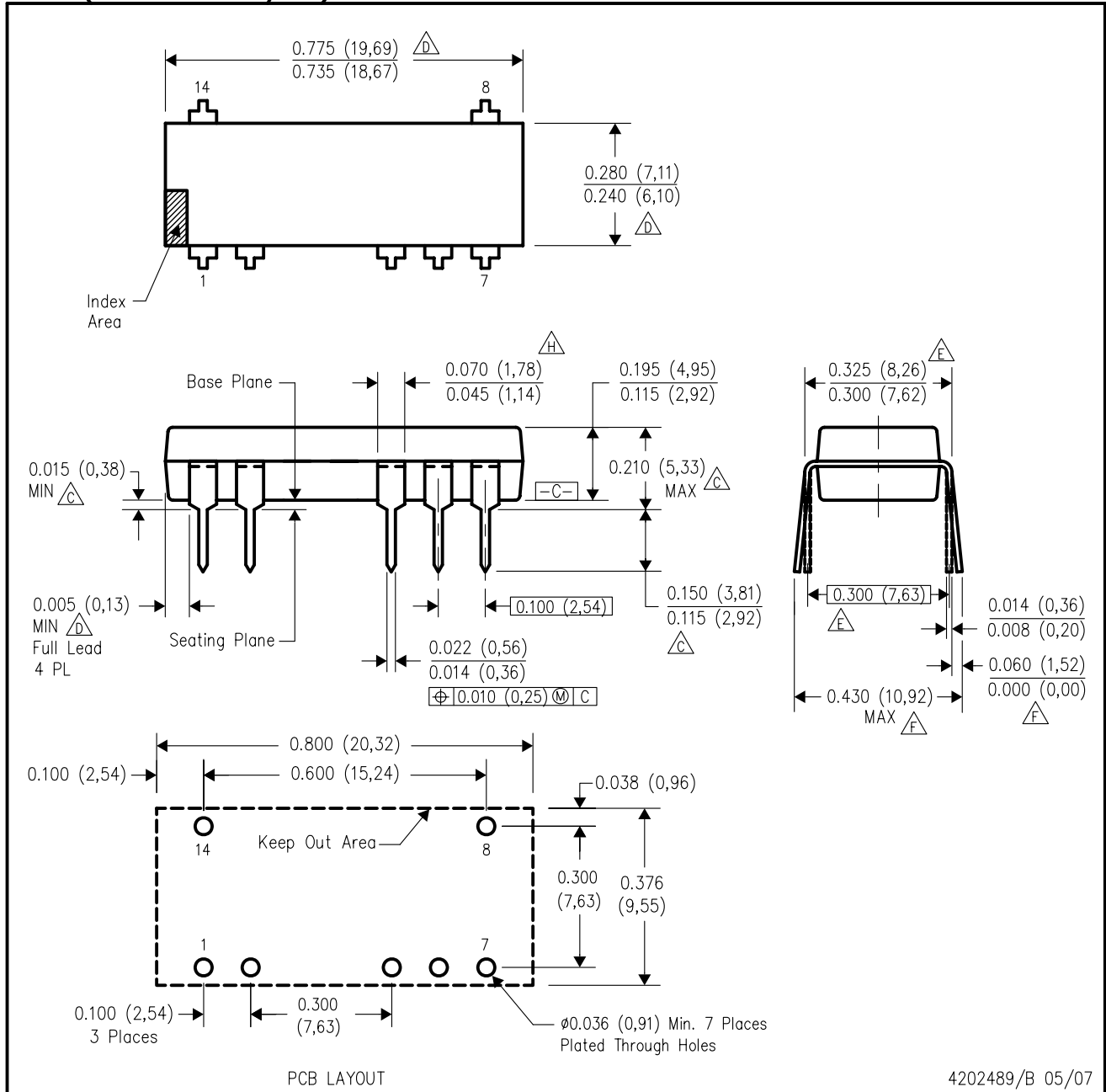
TUBE


*All dimensions are nominal

| Device | Package Name | Package Type | Pins | SPQ | L (mm) | W (mm) | T (μm) | B (mm) |
|--------------|--------------|--------------|------|-----|--------|--------|--------|--------|
| DCP020503P | NVA | PDIP | 7 | 25 | 533.4 | 14.33 | 13.03 | 8.07 |
| DCP020503U | DVB | SOP | 12 | 28 | 532.13 | 14.73 | 5.13 | 6.6 |
| DCP020505P | NVA | PDIP | 7 | 25 | 533.4 | 14.33 | 13.03 | 8.07 |
| DCP020505U | DVB | SOP | 12 | 28 | 532.13 | 14.73 | 5.13 | 6.6 |
| DCP020505UE4 | DVB | SOP | 12 | 28 | 532.13 | 14.73 | 5.13 | 6.6 |
| DCP020507P | NVA | PDIP | 7 | 25 | 533.4 | 14.33 | 13.03 | 8.07 |
| DCP020507U | DVB | SOP | 12 | 28 | 532.13 | 14.73 | 5.13 | 6.6 |
| DCP020509P | NVA | PDIP | 7 | 25 | 533.4 | 14.33 | 13.03 | 8.07 |
| DCP020509U | DVB | SOP | 12 | 28 | 532.13 | 14.73 | 5.13 | 6.6 |
| DCP020515DP | NVA | PDIP | 7 | 25 | 533.4 | 14.33 | 13.03 | 8.07 |
| DCP020515DU | DVB | SOP | 12 | 28 | 532.13 | 14.73 | 5.13 | 6.6 |
| DCP021205P | NVA | PDIP | 7 | 25 | 533.4 | 14.33 | 13.03 | 8.07 |
| DCP021205U | DVB | SOP | 12 | 28 | 532.13 | 14.73 | 5.13 | 6.6 |
| DCP021212DP | NVA | PDIP | 7 | 25 | 533.4 | 14.33 | 13.03 | 8.07 |
| DCP021212DU | DVB | SOP | 12 | 28 | 532.13 | 14.73 | 5.13 | 6.6 |
| DCP021212P | NVA | PDIP | 7 | 25 | 533.4 | 14.33 | 13.03 | 8.07 |
| DCP021212U | DVB | SOP | 12 | 28 | 532.13 | 14.73 | 5.13 | 6.6 |
| DCP021515P | NVA | PDIP | 7 | 25 | 533.4 | 14.33 | 13.03 | 8.07 |
| DCP021515U | DVB | SOP | 12 | 28 | 532.13 | 14.73 | 5.13 | 6.6 |
| DCP022405DP | NVA | PDIP | 7 | 25 | 533.4 | 14.33 | 13.03 | 8.07 |
| DCP022405DU | DVB | SOP | 12 | 28 | 532.13 | 14.73 | 5.13 | 6.6 |
| DCP022405P | NVA | PDIP | 7 | 25 | 533.4 | 14.33 | 13.03 | 8.07 |
| DCP022405U | DVB | SOP | 12 | 28 | 532.13 | 14.73 | 5.13 | 6.6 |
| DCP022415DP | NVA | PDIP | 7 | 25 | 533.4 | 14.33 | 13.03 | 8.07 |
| DCP022415DU | DVB | SOP | 12 | 28 | 532.13 | 14.73 | 5.13 | 6.6 |

NVA (R-PDIP-T7/14)

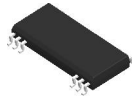
PLASTIC DUAL-IN-LINE



4202489/B 05/07

- NOTES:
- A. All linear dimensions are in inches (millimeters).
 - B. This drawing is subject to change without notice.
 - C. Dimensions are measured with the package seated in JEDEC seating plane gauge GS-3.
 - D. Dimensions do not include mold flash or protrusions. Mold flash or protrusions shall not exceed 0.010 (0,25).
 - E. Dimensions measured with the leads constrained to be perpendicular to Datum C.
 - F. Dimensions are measured at the lead tips with the leads unconstrained.
 - G. Pointed or rounded lead tips are preferred to ease insertion.
 - H. Lead shoulder maximum dimension does not include dambar protrusions. Dambar protrusions shall not exceed 0.010 (0,25).
 - I. Distance between leads including dambar protrusions to be 0.005 (0,13) minimum.
 - J. A visual index feature must be located within the cross-hatched area.
 - K. For automatic insertion, any raised irregularity on the top surface (step, mesa, etc.) shall be symmetrical about the lateral and longitudinal package centerlines.
 - L. Falls within JEDEC MS-001-AA.

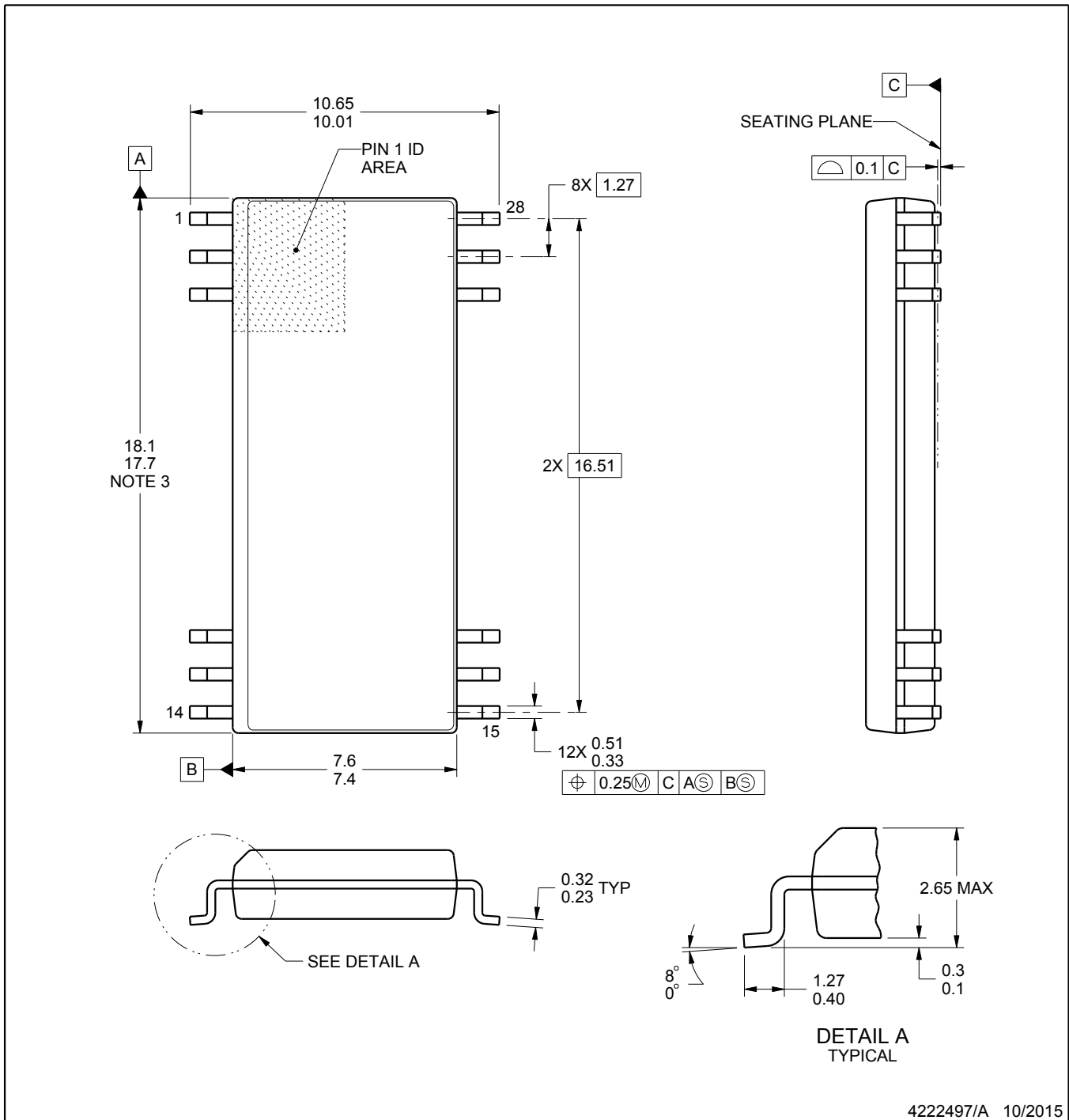
DVB0012A



PACKAGE OUTLINE

SOP - 2.65 mm max height

PLASTIC SMALL OUTLINE



NOTES:

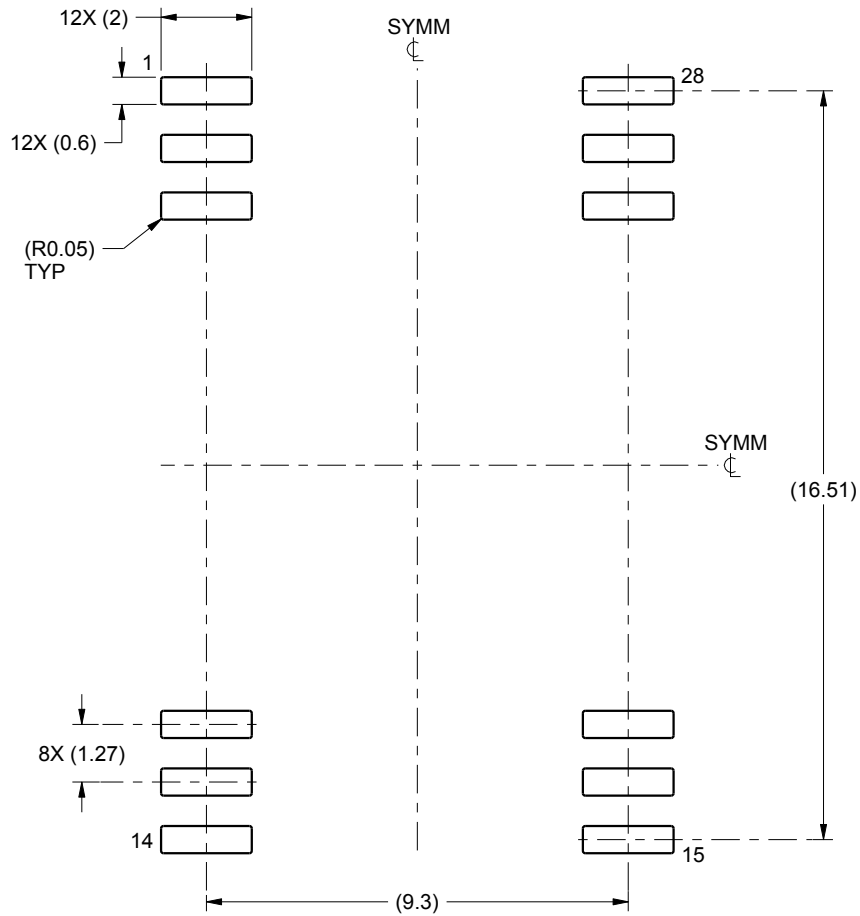
- 1. All linear dimensions are in millimeters. Dimensions in parenthesis are for reference only. Dimensioning and tolerancing per ASME Y14.5M.
- 2. This drawing is subject to change without notice.
- 3. This dimension does not include mold flash, protrusions, or gate burrs. Mold flash, protrusions, or gate burrs shall not exceed 0.15 mm per side.
- 4. Reference JEDEC registration MS-013.

EXAMPLE BOARD LAYOUT

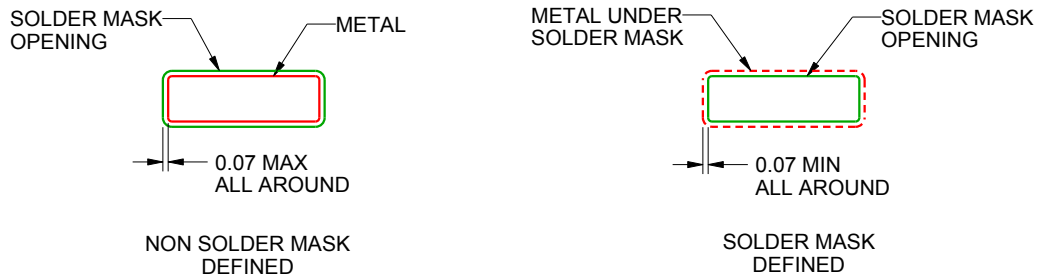
DVB0012A

SOP - 2.65 mm max height

PLASTIC SMALL OUTLINE



LAND PATTERN EXAMPLE
SCALE:6X



SOLDER MASK DETAILS

4222497/A 10/2015

NOTES: (continued)

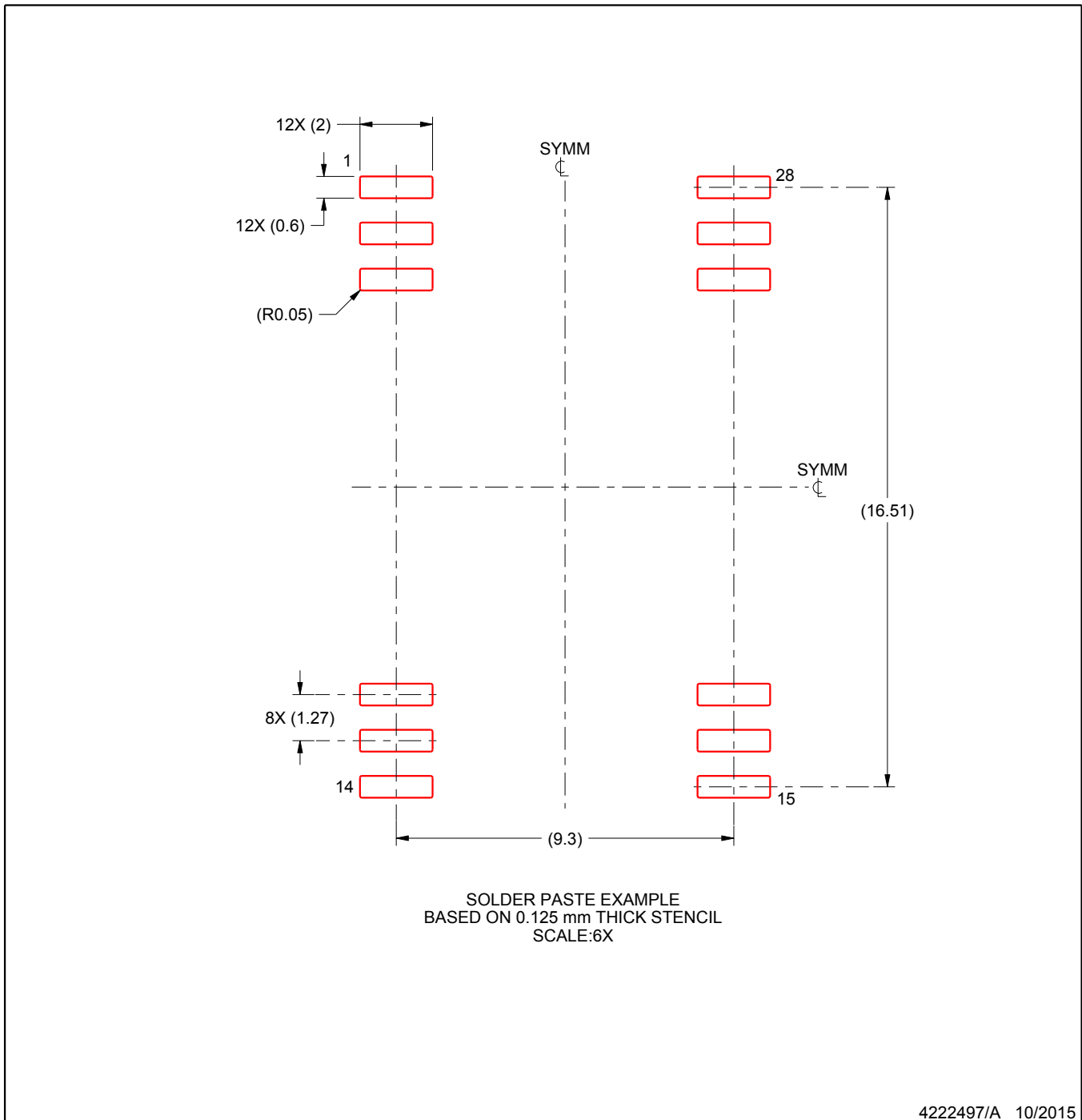
5. Publication IPC-7351 may have alternate designs.
6. Solder mask tolerances between and around signal pads can vary based on board fabrication site.

EXAMPLE STENCIL DESIGN

DVB0012A

SOP - 2.65 mm max height

PLASTIC SMALL OUTLINE



NOTES: (continued)

7. Laser cutting apertures with trapezoidal walls and rounded corners may offer better paste release. IPC-7525 may have alternate design recommendations.
8. Board assembly site may have different recommendations for stencil design.

IMPORTANT NOTICE AND DISCLAIMER

TI PROVIDES TECHNICAL AND RELIABILITY DATA (INCLUDING DATA SHEETS), DESIGN RESOURCES (INCLUDING REFERENCE DESIGNS), APPLICATION OR OTHER DESIGN ADVICE, WEB TOOLS, SAFETY INFORMATION, AND OTHER RESOURCES "AS IS" AND WITH ALL FAULTS, AND DISCLAIMS ALL WARRANTIES, EXPRESS AND IMPLIED, INCLUDING WITHOUT LIMITATION ANY IMPLIED WARRANTIES OF MERCHANTABILITY, FITNESS FOR A PARTICULAR PURPOSE OR NON-INFRINGEMENT OF THIRD PARTY INTELLECTUAL PROPERTY RIGHTS.

These resources are intended for skilled developers designing with TI products. You are solely responsible for (1) selecting the appropriate TI products for your application, (2) designing, validating and testing your application, and (3) ensuring your application meets applicable standards, and any other safety, security, regulatory or other requirements.

These resources are subject to change without notice. TI grants you permission to use these resources only for development of an application that uses the TI products described in the resource. Other reproduction and display of these resources is prohibited. No license is granted to any other TI intellectual property right or to any third party intellectual property right. TI disclaims responsibility for, and you will fully indemnify TI and its representatives against, any claims, damages, costs, losses, and liabilities arising out of your use of these resources.

TI's products are provided subject to [TI's Terms of Sale](#) or other applicable terms available either on ti.com or provided in conjunction with such TI products. TI's provision of these resources does not expand or otherwise alter TI's applicable warranties or warranty disclaimers for TI products.

TI objects to and rejects any additional or different terms you may have proposed.

Mailing Address: Texas Instruments, Post Office Box 655303, Dallas, Texas 75265
Copyright © 2022, Texas Instruments Incorporated

单击下面可查看定价，库存，交付和生命周期等信息

[>>TI\(德州仪器\)](#)