

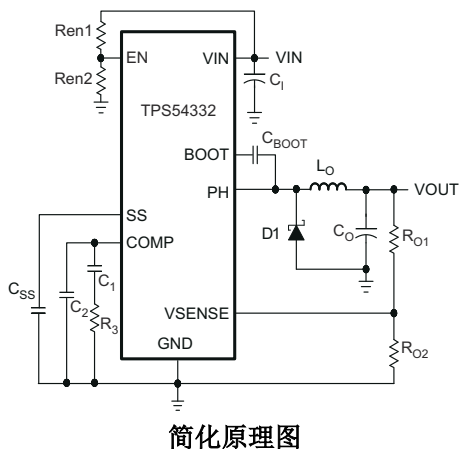
TPS54332 具有 Eco-Mode 的 3.5A、28V、1MHz 直流/直流降压转换器

1 特性

- 3.5V 至 28V 输入电压范围
- 可调节输出电压低至 0.8V
- 集成式 80mΩ 高侧 MOSFET 支持高达 3.5A 的持续输出电流
- 使用脉冲跳跃 Eco-mode 在轻负载条件下实现高效率
- 固定 1MHz 开关频率
- 1 μA 关断静态电流 (典型值)
- 可调节慢启动限制浪涌电流
- 可编程 UVLO 阈值
- 过压瞬态保护
- 逐周期电流限制、频率折返和热关断保护
- 采用热增强型 8 引脚 SOIC PowerPAD™ 集成电路封装
- 为 30V 输入电压转换器使用更高频率、更低 IQ 和改进 EMI 的 TPS62933
- 使用 TPS54332 并借助 WEBENCH® Power Designer 创建定制设计方案

2 应用

- 消费类应用，例如机顶盒、CPE 设备、LCD 显示屏、外设和电池充电器
- 工业用和车载音频电源
- 5V、12V 和 24V 分布式电源系统



3 说明

TPS54332 器件是一款 28V、3.5A 非同步降压转换器，该器件集成了一个低 $R_{DS(on)}$ 的高侧 MOSFET。为了提高轻负载条件下的效率，将自动激活脉冲跳跃 Eco-mode 特性。此外，1 μA 的关断电源电流使得该器件适用于电池供电类应用。具有内部斜坡补偿的电流模式控制简化了外部补偿计算，并在允许使用陶瓷输出电容器的同时减少了元件数量。一个电阻分压器对输入欠压锁定的迟滞进行编程。过压瞬态保护电路可限制启动期间和瞬态条件下的电压过冲。逐周期电流限制方案、频率折返和热关断特性可在过载条件下对器件和负载施加保护。TPS54332 采用 8 引脚 SOIC PowerPAD 集成电路封装。

封装信息(1)

器件型号	封装	封装尺寸(2)
TPS54332	DDA (SO PowerPAD , 8)	4.9mm × 6mm

- (1) 如需了解所有可用封装，请参阅数据表末尾的可订购产品附录。
- (2) 封装尺寸 (长 × 宽) 为标称值，并包括引脚 (如适用)

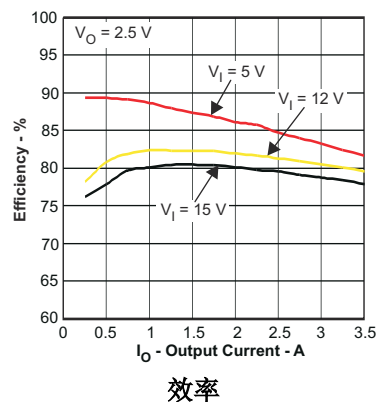


Table of Contents

1 特性.....	1	7.2 Functional Block Diagram.....	10
2 应用.....	1	7.3 Feature Description.....	10
3 说明.....	1	7.4 Device Functional Modes.....	12
4 Revision History.....	2	8 Application and Implementation.....	14
5 Pin Configuration and Functions.....	3	8.1 Application Information.....	14
6 Specifications.....	4	8.2 Typical Application.....	14
6.1 Absolute Maximum Ratings.....	4	8.3 Power Supply Recommendations.....	24
6.2 ESD Ratings.....	4	8.4 Layout.....	24
6.3 Recommended Operating Conditions.....	4	9 Device and Documentation Support.....	26
6.4 Thermal Information.....	5	9.1 Device Support.....	26
6.5 Electrical Characteristics.....	6	9.2 支持资源.....	26
6.6 Switching Characteristics.....	6	9.3 接收文档更新通知.....	26
6.7 Typical Characteristics: Characterization Curves.....	7	9.4 Trademarks.....	26
6.8 Typical Characteristics: Supplemental Application Curves.....	8	9.5 静电放电警告.....	26
7 Detailed Description.....	9	9.6 术语表.....	26
7.1 Overview.....	9	10 Mechanical, Packaging, and Orderable Information.....	26

4 Revision History

注：以前版本的页码可能与当前版本的页码不同

Changes from Revision C (November 2014) to Revision D (September 2023)	Page
• 更新了整个文档中的表格、图和交叉参考的编号格式.....	1
• 向特性中添加了 TPS62933 信息.....	1
• 更改了封装信息表的列标题措辞.....	1
• 更新的商标信息.....	1
• Moved storage temperature to the <i>Absolute Maximum Ratings</i> table.....	4
• Change table title from <i>Handling Ratings</i> to <i>ESD Ratings</i>	4
• Add WEBENCH information in the <i>Development Support</i> section.....	26
Changes from Revision B (February 2012) to Revision C (November 2014)	Page
• 添加了引脚配置和功能部分、处理等级表、特性说明部分、器件功能模式、应用和实施部分、电源相关建议部分、布局部分、器件和文档支持部分以及机械、封装和可订购信息部分.....	1
Changes from Revision A (January 2013) to Revision B (February 2012)	Page
• 删除了特性项：有关 SWIFT™ 文档的更多信息，请访问 TI 网站 www.ti.com/swift	1

5 Pin Configuration and Functions

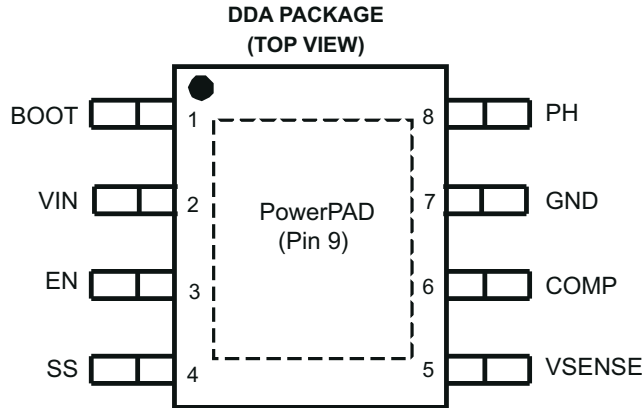


图 5-1. DDA Package, 8-Pin SO PowerPAD™ Integrated Circuit Package (Top View)

表 5-1. Pin Functions

PIN		I/O	DESCRIPTION
NAME	NO.		
BOOT	1	O	A 0.1- μ F bootstrap capacitor is required between BOOT and PH. If the voltage on this capacitor falls below the minimum requirement, the high-side MOSFET is forced to switch off until the capacitor is refreshed.
VIN	2	I	Input supply voltage, 3.5 V to 28 V.
EN	3	I	Enable pin. Pull below 1.25 V to disable. Float to enable. TI recommends programming the input undervoltage lockout with two resistors.
SS	4	I	Slow-start pin. An external capacitor connected to this pin sets the output rise time.
VSENSE	5	I	Inverting node of the gm error amplifier.
COMP	6	O	Error amplifier output, and input to the PWM comparator. Connect frequency compensation components to this pin.
GND	7	—	Ground
PH	8	O	The source of the internal high-side power MOSFET
PowerPAD	9	—	GND pin must be connected to the exposed pad for proper operation.

6 Specifications

6.1 Absolute Maximum Ratings

over operating free-air temperature range (unless otherwise noted) ⁽¹⁾

		MIN	MAX	UNIT
Input Voltage	VIN	- 0.3	30	V
	EN	- 0.3	6	
	BOOT		38	
	VSENSE	- 0.3	3	
	COMP	- 0.3	3	
	SS	- 0.3	3	
Output Voltage	BOOT-PH		8	V
	PH	- 0.6	30	
	PH (10-ns transient from ground to negative peak)		- 5	
Source Current	EN		100	μ A
	BOOT		100	mA
	VSENSE		10	μ A
	PH		9.25	A
Sink Current	VIN		9.25	A
	COMP		100	μ A
	SS		200	
Operating Junction Temperature		- 40	150	°C
Storage temperature		- 65	150	°C

- (1) Stresses beyond those listed under *Absolute Maximum Ratings* may cause permanent damage to the device. These are stress ratings only, which do not imply functional operation of the device at these or any other conditions beyond those indicated under *Recommended Operating Conditions*. Exposure to absolute-maximum-rated conditions for extended periods may affect device reliability.

6.2 ESD Ratings

		MIN	MAX	UNIT
V _(ESD)	Electrostatic Discharge	Human body model (HBM), per ANSI/ESDA/JEDEC JS-001, all pins ⁽¹⁾	2	kV
		Charged device model (CDM), per JEDEC specification JESD22-C101, all pins ⁽²⁾	500	V

- (1) JEDEC document JEP155 states that 500-V HBM allows safe manufacturing with a standard ESD control process.
(2) JEDEC document JEP157 states that 250-V CDM allows safe manufacturing with a standard ESD control process.

6.3 Recommended Operating Conditions

over operating free-air temperature range (unless otherwise noted)

	MIN	MAX	UNIT
Operating Input Voltage on (VIN pin)	3.5	28	V
Operating junction temperature, T _J	- 40	150	°C

6.4 Thermal Information

THERMAL METRIC ⁽¹⁾		TPS54332	
		HSOP	
		8 PINS	
			UNIT
$R_{\theta JA}$	Junction-to-ambient thermal resistance	48.7	°C/W
$R_{\theta JC(top)}$	Junction-to-case (top) thermal resistance	52.4	
$R_{\theta JB}$	Junction-to-board thermal resistance	25.3	
ψ_{JT}	Junction-to-top characterization parameter	8.4	
ψ_{JB}	Junction-to-board characterization parameter	25.2	
$R_{\theta JC(bot)}$	Junction-to-case (bottom) thermal resistance	2.3	

(1) For more information about traditional and new thermal metrics, see the *IC Package Thermal Metrics* application report, [SPRA953](#).

6.5 Electrical Characteristics

$T_J = -40^{\circ}\text{C}$ to 150°C , $V_{IN} = 3.5\text{ V}$ to 28 V (unless otherwise noted)

DESCRIPTION	TEST CONDITIONS	MIN	TYP	MAX	UNIT
SUPPLY VOLTAGE (VIN PIN)					
Internal undervoltage lockout threshold	Rising and Falling			3.5	V
Shutdown supply current	EN = 0 V, $V_{IN} = 12\text{ V}$, -40°C to 85°C		1	4	μA
Operating - non switching supply current	VSENSE = 0.85 V		82	120	μA
ENABLE AND UVLO (EN PIN)					
Enable threshold	Rising and Falling		1.25	1.35	V
Input current	Enable threshold - 50 mV		-1		μA
Input current	Enable threshold + 50 mV		-4		μA
VOLTAGE REFERENCE					
Voltage reference		0.772	0.8	0.828	V
HIGH-SIDE MOSFET					
On resistance	BOOT-PH = 3 V, $V_{IN} = 3.5\text{ V}$		115	200	$\text{m}\Omega$
	BOOT-PH = 6 V, $V_{IN} = 12\text{ V}$		80	150	
ERROR AMPLIFIER					
Error amplifier transconductance (gm)	$-2\ \mu\text{A} < I_{\text{COMP}} < 2\ \mu\text{A}$, $V(\text{COMP}) = 1\text{ V}$		92		μmhos
Error amplifier DC gain ⁽¹⁾	VSENSE = 0.8 V		800		V/V
Error amplifier unity gain bandwidth ⁽¹⁾	5 pF capacitance from COMP to GND pins		2.7		MHz
Error amplifier source/sink current	$V(\text{COMP}) = 1.0\text{ V}$, 100-mV overdrive		± 7		μA
Switch current to COMP transconductance	$V_{IN} = 12\text{ V}$		12		A/V
PULSE-SKIPPING ECO-MODE					
Pulse-skipping Eco-mode switch current threshold			160		mA
CURRENT LIMIT					
Current limit threshold	$V_{IN} = 12\text{ V}$	4.2	6.5		A
THERMAL SHUTDOWN					
Thermal Shutdown			165		$^{\circ}\text{C}$
SLOW-START (SS PIN)					
Charge current	$V_{(\text{SS})} = 0.4\text{ V}$		2		μA
SS to VSENSE matching	$V_{(\text{SS})} = 0.4\text{ V}$		10		mV

(1) Specified by design

6.6 Switching Characteristics

PARAMETERS ⁽¹⁾	TEST CONDITIONS	MIN	TYP	MAX	UNIT
TPS54332 Switching Frequency	$V_{IN} = 12\text{ V}$, 25°C	800	1000	1200	kHz
Minimum controllable on time	$V_{IN} = 12\text{ V}$, 25°C		110	135	ns
Maximum controllable duty ratio ⁽¹⁾	BOOT-PH = 6 V	90%	93%		

(1) Specified by design

6.7 Typical Characteristics: Characterization Curves

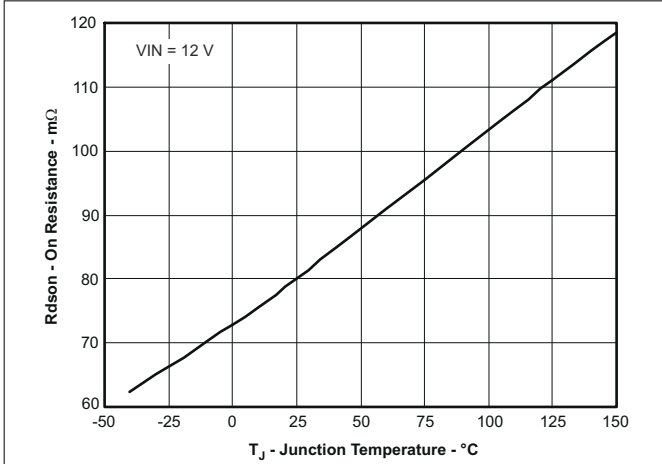


图 6-1. On Resistance vs Junction Temperature

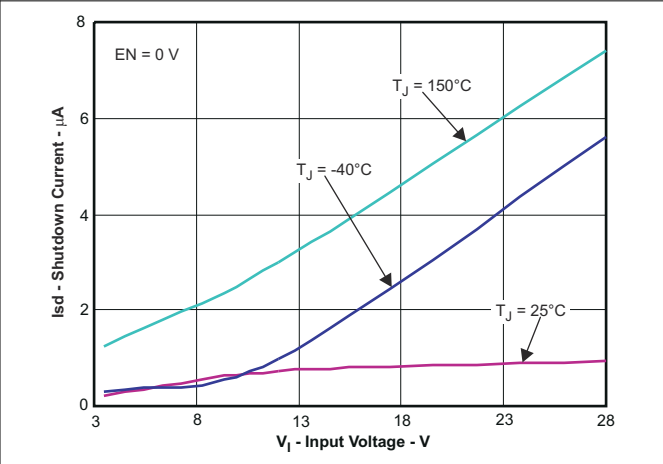


图 6-2. Shutdown Quiescent Current vs Input Voltage

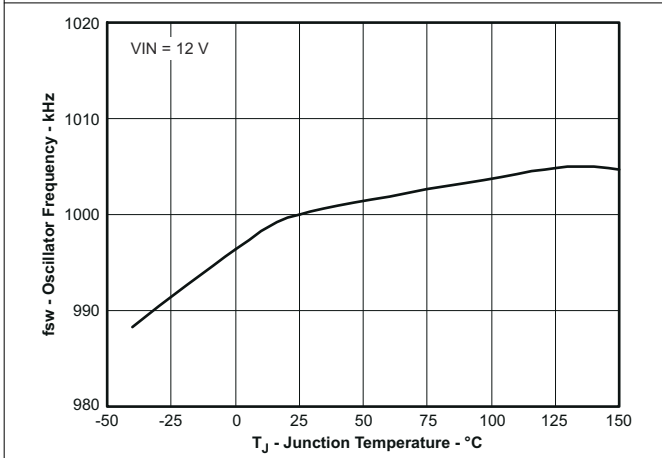


图 6-3. Switching Frequency vs Junction Temperature

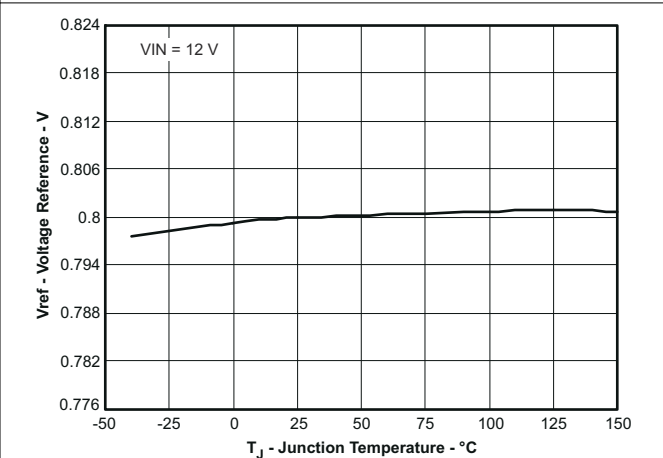


图 6-4. Voltage Reference vs Junction Temperature

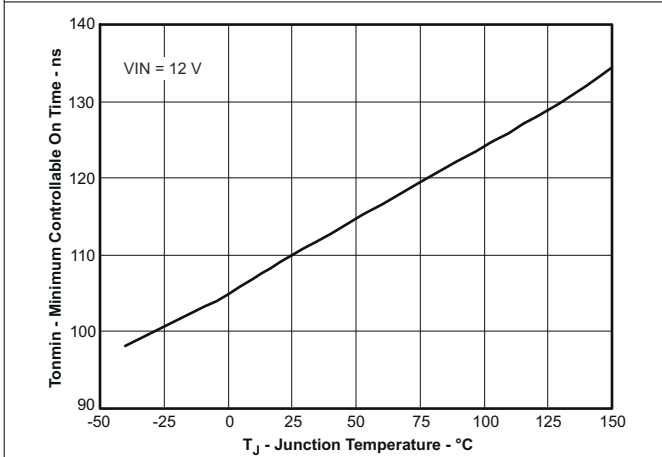


图 6-5. Minimum Controllable on Time vs Junction Temperature

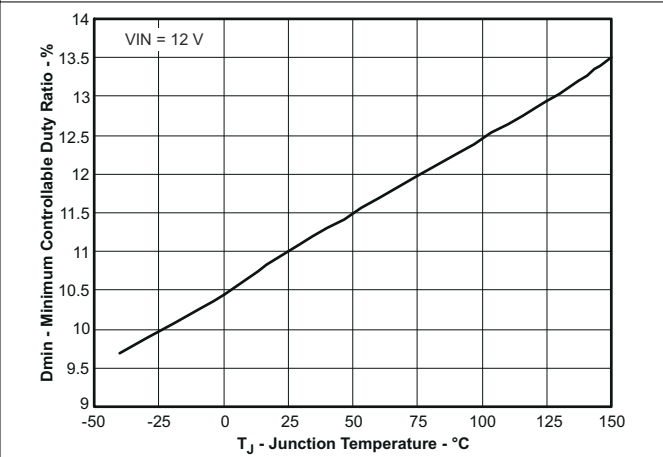
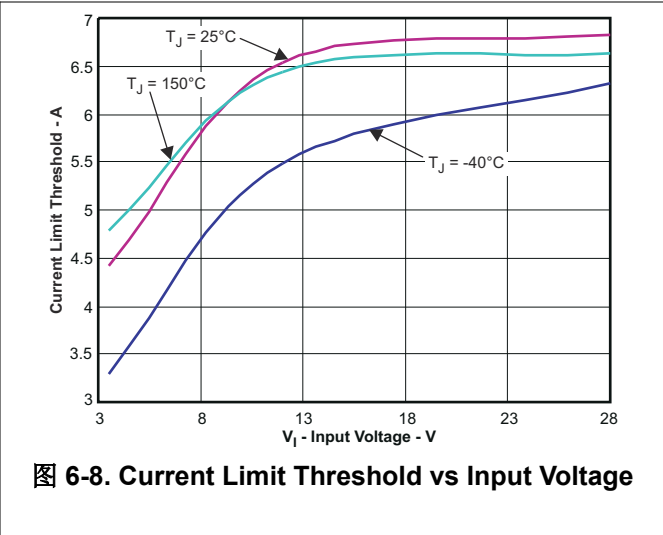
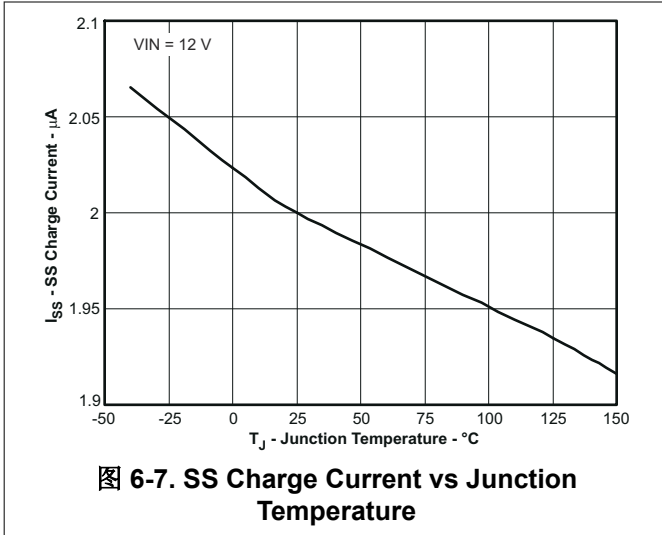
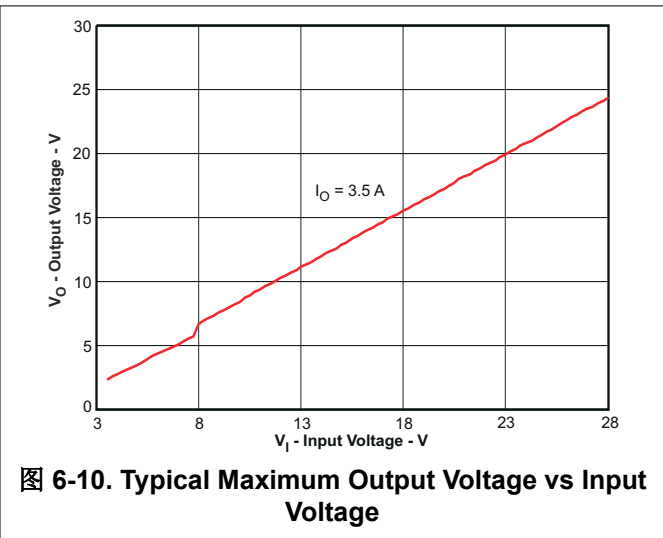
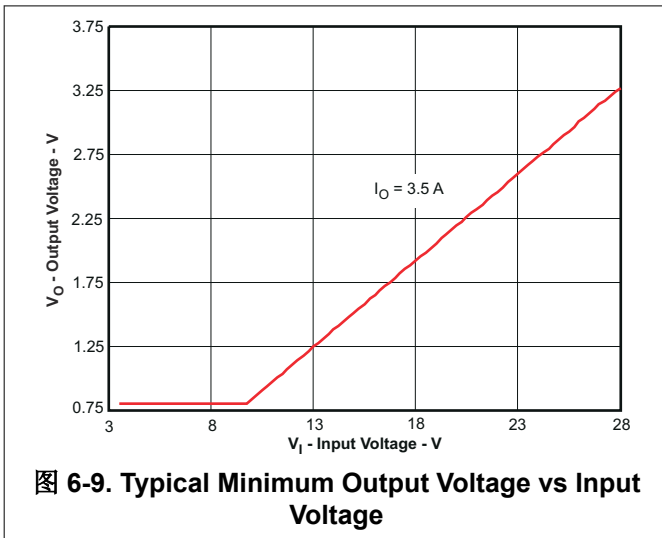


图 6-6. Minimum Controllable Duty Ratio vs Junction Temperature



6.8 Typical Characteristics: Supplemental Application Curves



7 Detailed Description

7.1 Overview

The TPS54332 is a 28-V, 3.5-A, step-down (buck) converter with an integrated high-side, N-channel MOSFET. To improve performance during line and load transients, the device implements a constant-frequency, current mode control, which reduces output capacitance and simplifies external frequency compensation design. The TPS54332 has a preset switching frequency of 1 MHz.

The TPS54332 needs a minimum input voltage of 3.5 V to operate normally. The EN pin has an internal pullup current source that can be used to adjust the input voltage undervoltage lockout (UVLO) with two external resistors. In addition, the pullup current provides a default condition when the EN pin is floating for the device to operate. The operating current is 82 μ A typically when not switching and under no load. When the device is disabled, the supply current is 1 μ A typically.

The integrated 80-m Ω high-side MOSFET allows for high-efficiency power supply designs with continuous output currents up to 3.5 A.

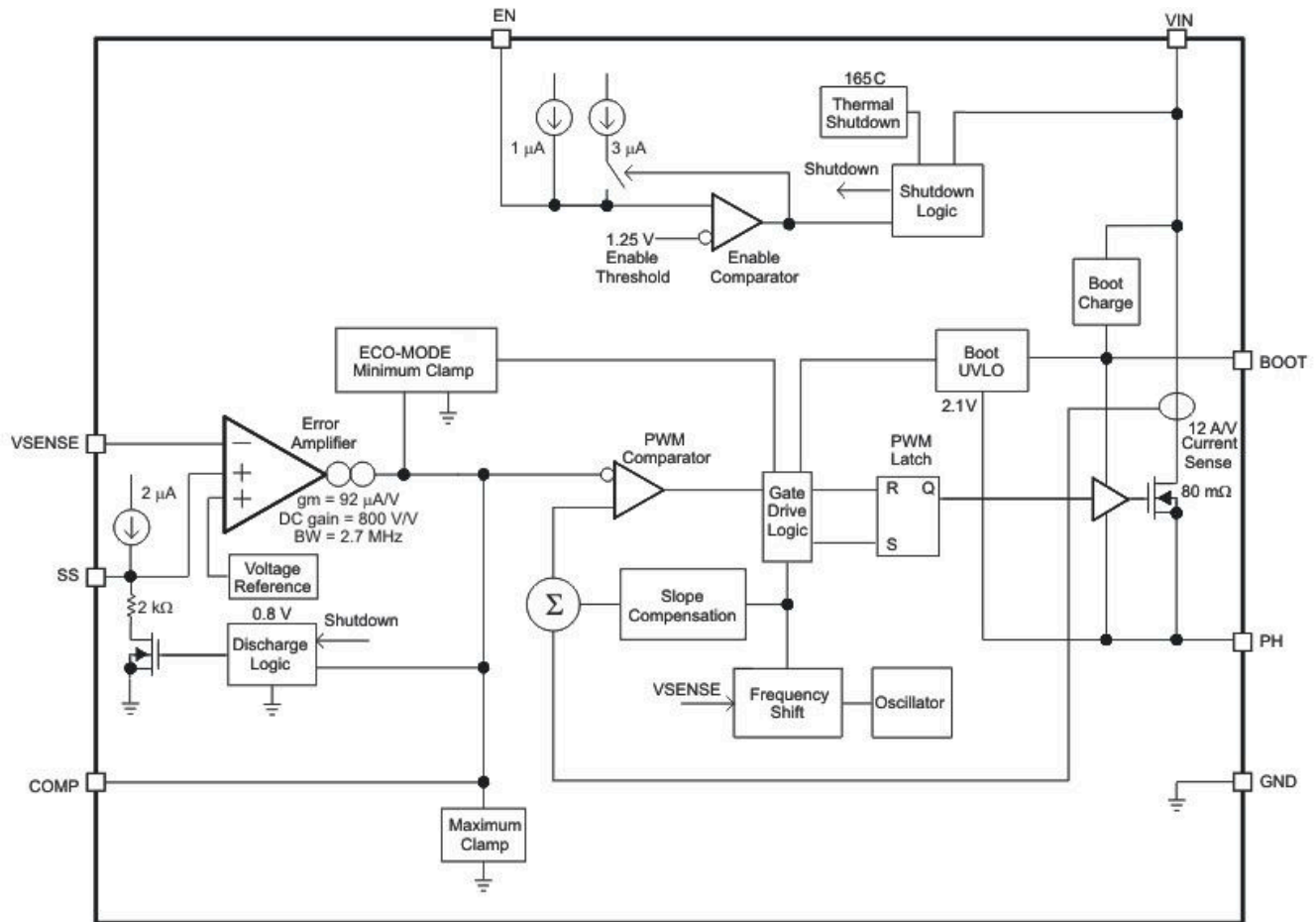
The TPS54332 reduces the external component count by integrating the boot recharge diode. The bias voltage for the integrated high-side MOSFET is supplied by an external capacitor on the BOOT to PH pin. The boot capacitor voltage is monitored by an UVLO circuit and turns the high-side MOSFET off when the voltage falls below a preset threshold of 2.1 V typically. The output voltage can be stepped down to as low as the reference voltage.

By adding an external capacitor, the slow-start time of the TPS54332 can be adjustable which enables flexible output filter selection.

To improve the efficiency at light load conditions, the TPS54332 enters a special pulse-skipping Eco-mode when the peak inductor current drops below 160 mA typically.

The frequency foldback reduces the switching frequency during start-up and overcurrent conditions to help control the inductor current. The thermal shutdown gives the additional protection under fault conditions.

7.2 Functional Block Diagram



7.3 Feature Description

7.3.1 Fixed Frequency PWM Control

The TPS54332 uses a fixed-frequency, peak-current mode control. The internal switching frequency of the TPS54332 is fixed at 1 MHz.

7.3.2 Voltage Reference (V_{ref})

The voltage reference system produces a $\pm 2\%$ initial accuracy voltage reference ($\pm 3.5\%$ over temperature) by scaling the output of a temperature stable band-gap circuit. The typical voltage reference is designed at 0.8 V.

7.3.3 Bootstrap Voltage (BOOT)

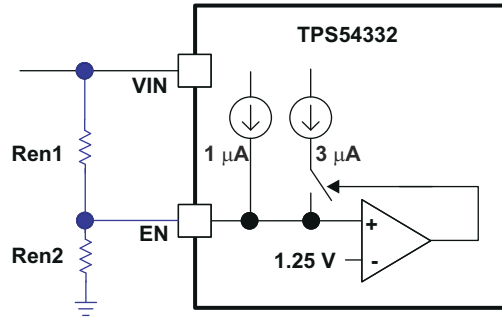
The TPS54332 has an integrated boot regulator and requires a 0.1- μ F ceramic capacitor between the BOOT and PH pin to provide the gate drive voltage for the high-side MOSFET. A ceramic capacitor with an X7R or X5R grade dielectric is recommended because of the stable characteristics over temperature and voltage. To improve dropout, the TPS54332 is designed to operate at 100% duty cycle as long as the BOOT to PH pin voltage is greater than 2.1 V typically.

7.3.4 Enable and Adjustable Input Undervoltage Lockout (V_{IN} UVLO)

The EN pin has an internal pullup current source that provides the default condition of the TPS54332 operating when the EN pin floats.

The TPS54332 is disabled when the V_{IN} pin voltage falls below internal V_{IN} UVLO threshold. TI recommends using an external V_{IN} UVLO to add Hysteresis unless V_{IN} is greater than $(V_{OUT} + 2 V)$. To adjust the V_{IN} UVLO with Hysteresis, use the external circuitry connected to the EN pin as shown in [Figure 7-1](#). After the EN pin voltage

exceeds 1.25 V, an additional 3 μ A of hysteresis is added. Use 方程式 1 and 方程式 2 to calculate the resistor values needed for the desired VIN UVLO threshold voltages. The V_{START} is the input start threshold voltage, the V_{STOP} is the input stop threshold voltage and the V_{EN} is the enable threshold voltage of 1.25 V. The V_{STOP} must always be greater than 3.5 V.



$$R_{en1} = \frac{V_{START} - V_{STOP}}{3\mu A} \quad (1)$$

$$R_{en2} = \frac{V_{EN}}{\frac{V_{START} - V_{EN}}{R_{en1}} + 1\mu A} \quad (2)$$

图 7-1. Adjustable Input Undervoltage Lockout

7.3.5 Programmable Slow Start Using the SS Pin

TI highly recommends programming the slow-start time externally because no slow-start time is implemented internally. The TPS54332 effectively uses the lower voltage of the internal voltage reference or the SS pin voltage as the power supply reference voltage fed into the error amplifier and regulates the output accordingly. A capacitor (C_{SS}) on the SS pin-to-ground implements a slow-start time. The TPS54332 has an internal pullup current source of 2 μ A that charges the external slow-start capacitor. The equation for the slow-start time (10% to 90%) is shown in 方程式 3. The V_{ref} is 0.8 V and the I_{SS} current is 2 μ A.

$$T_{SS}(\text{ms}) = \frac{C_{SS}(\text{nF}) \times V_{REF}(\text{V})}{I_{SS}(\mu A)} \quad (3)$$

The slow-start time must be set between 1 ms to 10 ms to make sure of good start-up behavior. The slow-start capacitor must be no more than 27 nF.

If during normal operation, the input voltage drops below the VIN UVLO threshold, or the EN pin is pulled below 1.25 V, or a thermal shutdown event occurs, the TPS54332 stops switching.

7.3.6 Error Amplifier

The TPS54332 has a transconductance amplifier for the error amplifier. The error amplifier compares the V_{SENSE} voltage to the internal effective voltage reference presented at the input of the error amplifier. The transconductance of the error amplifier is 92 μ A/V during normal operation. Frequency compensation components are connected between the COMP pin and ground.

7.3.7 Slope Compensation

To prevent the sub-harmonic oscillations when operating the device at duty cycles greater than 50%, the TPS54332 adds a built-in slope compensation which is a compensating ramp to the switch current signal.

7.3.8 Current Mode Compensation Design

To simplify design efforts using the TPS54332, the typical designs for common applications are listed in 表 7-1. For designs using ceramic output capacitors, TI recommends proper derating of ceramic output capacitance when doing the stability analysis. This recommendation is because the actual ceramic capacitance drops

considerably from the nominal value when the applied voltage increases. Advanced users can refer to the [Detailed Design Procedure](#) in the [Application and Implementation](#) section for the detailed guidelines, or use the [WEBENCH](#) tool.

表 7-1. Typical Designs (Referring to Simplified Schematic on Page 1)

V _{IN} (V)	V _{OUT} (V)	F _{sw} (kHz)	L _o (μ H)	C _o	R _{O1} (k Ω)	R _{O2} (k Ω)	C ₂ (pF)	C ₁ (pF)	R ₃ (k Ω)
12	5	1000	3.3	Ceramic 22- μ F	10	1.91	18	470	24.9
12	3.3	1000	2.7	Ceramic 22 μ F \times 2	10	3.24	18	1800	39.2
12	5	1000	3.3	Aluminum 330 μ F / 160mohm	10	1.91	22	47	10
12	3.3	1000	2.7	Aluminum 330 μ F / 160 mohm	10	3.24	39	100	29.4

7.3.9 Overcurrent Protection and Frequency Shift

The TPS54332 implements current mode control that uses the COMP pin voltage to turn off the high-side MOSFET on a cycle-by-cycle basis. Every cycle, the switch current and the COMP pin voltage are compared; when the peak inductor current intersects the COMP pin voltage, the high-side switch is turned off. During overcurrent conditions that pull the output voltage low, the error amplifier responds by driving the COMP pin high, causing the switch current to increase. The COMP pin has a maximum clamp internally, which limit the output current.

The TPS54332 provides robust protection during short circuits. There is potential for overcurrent runaway in the output inductor during a short circuit at the output. The TPS54332 solves this issue by increasing the off-time during short circuit conditions by lowering the switching frequency. The switching frequency is divided by 8, 4, 2, and 1 as the voltage ramps from 0 V to 0.8 V on VSENSE pin. The relationship between the switching frequency and the VSENSE pin voltage is shown in [表 7-2](#).

表 7-2. Switching Frequency Conditions

SWITCHING FREQUENCY	VSENSE PIN VOLTAGE
1 MHz	VSENSE \geq 0.6 V
1 MHz / 2	0.6 V > VSENSE \geq 0.4 V
1 MHz / 4	0.4 V > VSENSE \geq 0.2 V
1 MHz / 8	0.2 V > VSENSE

7.3.10 Overvoltage Transient Protection

The TPS54332 incorporates an overvoltage transient protection (OVTP) circuit to minimize output voltage overshoot when recovering from output fault conditions or strong unload transients. The OVTP circuit includes an overvoltage comparator to compare the VSENSE pin voltage and internal thresholds. When the VSENSE pin voltage goes above $109\% \times V_{ref}$, the high-side MOSFET is forced off. When the VSENSE pin voltage falls below $107\% \times V_{ref}$, the high-side MOSFET is enabled again.

7.3.11 Thermal Shutdown

The device implements an internal thermal shutdown to protect itself if the junction temperature exceeds 165°C. The thermal shutdown forces the device to stop switching when the junction temperature exceeds the thermal trip threshold. After the die temperature decreases below 165°C, the device reinitiates the power-up sequence.

7.4 Device Functional Modes

7.4.1 Operation With VIN < 3.5 V

TI recommends the device operate with input voltages above 3.5 V. The typical VIN UVLO threshold is not specified and the device can operate at input voltages down to the UVLO voltage. At input voltages below the actual UVLO voltage, the device does not switch. If EN is externally pulled up or left floating, when VIN passes the UVLO threshold the device becomes active. Switching commences when the soft-start sequence is initiated.

7.4.2 Operation With EN Control

The enable threshold voltage is 1.25 V typical. With EN held below that voltage the device is disabled and switching is inhibited even if VIN is above its UVLO threshold. The IC quiescent current is reduced in this state. If the EN voltage is increased above the threshold while VIN is above its UVLO threshold, the device becomes active. Switching is enabled, and the slow-start sequence is initiated.

7.4.3 Eco-mode

The device is designed to operate in pulse-skipping Eco-mode at light-load currents to boost light-load efficiency. When the peak inductor current is lower than pulse skip threshold, the COMP pin voltage falls to 0.5 V (typical) and the device enters Eco-mode. When the device is in Eco-mode, the COMP pin voltage is clamped at 0.5 V internally which prevents the high-side integrated MOSFET from switching. The peak inductor current must rise above 160 mA for the COMP pin voltage to rise above 0.5 V and exit Eco-mode. Because the integrated current comparator catches the peak inductor current only, the average load current entering Eco-mode varies with the applications and external output filters.

8 Application and Implementation

备注

以下应用部分中的信息不属于 TI 器件规格的范围，TI 不担保其准确性和完整性。TI 的客户应负责确定器件是否适用于其应用。客户应验证并测试其设计，以确保系统功能。

8.1 Application Information

The TPS54332 is typically used as step-down converters, which convert a voltage from 3.5 V - 28 V to a lower voltage. WEBENCH software is available to aid in the design and analysis of circuits.

	TPS54231	TPS54232	TPS54233	TPS54331	TPS54332
I _O (maximum)	2 A	2 A	2 A	3 A	3.5 A
Input voltage range	3.5 V - 28 V	3.5 V - 28 V	3.5 V - 28 V	3.5 V - 28 V	3.5 V - 28 V
Switching frequency (typical)	570 kHz	1000 kHz	285 kHz	570 kHz	1000 kHz
Switch current limit (minimum)	2.3 A	2.3 A	2.3 A	3.5 A	4.2 A
Pin, package	8, SOIC	8, SOIC	8, SOIC	8, SOIC	8, SO PowerPAD integrated circuit package

8.2 Typical Application

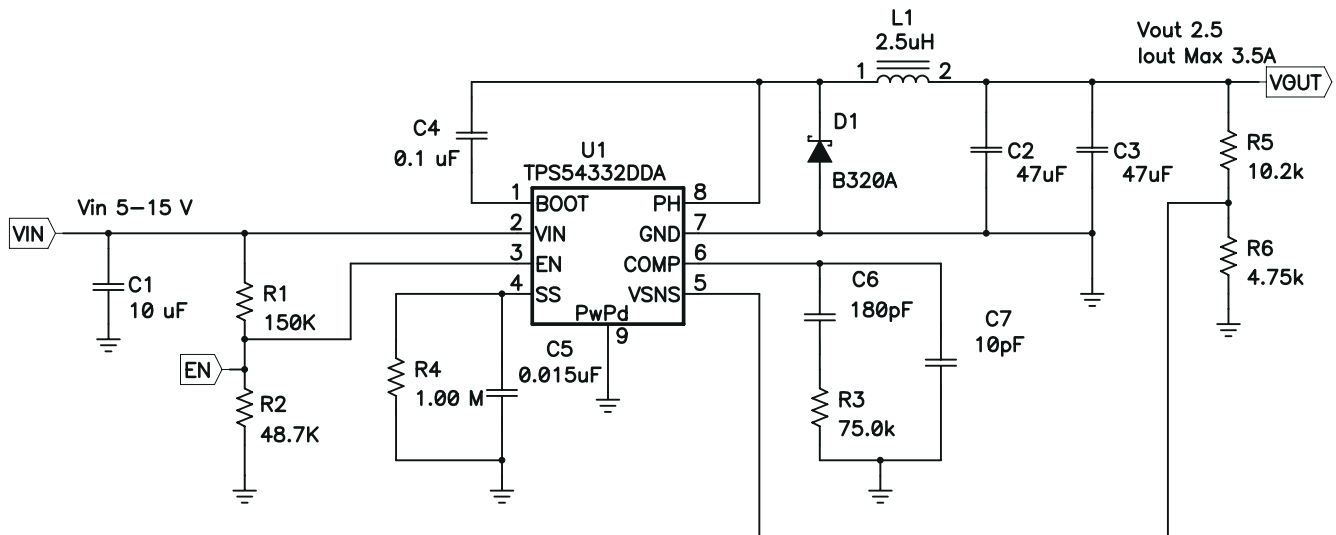


图 8-1. Typical Application Schematic

8.2.1 Design Requirements

For this design example, use the following as the input parameters:

DESIGN PARAMETER	EXAMPLE VALUE
Input voltage range	5 V to 15 V
Output voltage	2.5 V
Input ripple voltage	200 mV
Output ripple voltage	20 mV
Output current rating	3.5 A
Operating Frequency	1 MHz

8.2.2 Detailed Design Procedure

The following design procedure can be used to select component values for the TPS54332. Alternately, the WEBENCH Tool can be used to generate a complete design. The WEBENCH Tool uses an iterative design procedure and accesses a comprehensive database of components when generating a design. This section presents a simplified discussion of the design process.

8.2.2.1 Custom Design with WEBENCH® Tools

Create a custom design with the TPS54332 using the [WEBENCH® Power Designer](#)

1. Start by entering the input voltage (V_{in}), output voltage (V_{out}), and output current (I_{out}) requirements.
2. Optimize the design for key parameters such as efficiency, footprint, and cost using the optimizer dial.
3. Compare the generated design with other possible solutions from Texas Instruments.

The WEBENCH Power Designer gives a customized schematic along with a list of materials with real-time pricing and component availability.

In most cases, these actions are available:

- Run electrical simulations to see important waveforms and circuit performance
- Run thermal simulations to understand board thermal performance
- Export customized schematic and layout into popular CAD formats
- Print PDF reports for the design, and share the design with colleagues

Get more information about WEBENCH tools at www.ti.com/WEBENCH.

8.2.2.2 Switching Frequency

The switching frequency for the TPS54332 is fixed at 1 MHz.

8.2.2.3 Output Voltage Set Point

The output voltage of the TPS54332 is externally adjustable using a resistor divider network. In the application circuit of [图 8-1](#), this divider network is comprised of R_5 and R_6 . The relationship of the output voltage to the resistor divider is given by [方程式 4](#) and [方程式 5](#).

$$R_6 = \frac{R_5 \times V_{REF}}{V_{OUT} - V_{REF}} \quad (4)$$

$$V_{OUT} = V_{REF} \times \left(\frac{R_5}{R_6} + 1 \right) \quad (5)$$

Choose R_5 to be approximately 10 k Ω . Slightly increasing or decreasing R_5 can result in closer output voltage matching when using standard value resistors. In this design, $R_4 = 10.2$ k Ω and $R = 4.75$ k Ω , resulting in a 2.5-V output voltage.

8.2.2.4 Input Capacitors

The TPS54332 requires an input decoupling capacitor and depending on the application, a bulk-input capacitor. The typical recommended value for the decoupling capacitor is 10 μ F. TI recommends a high-quality ceramic type X5R or X7R. The voltage rating must be greater than the maximum input voltage. A smaller value can be used as long as all other requirements are met; however 10 μ F has been shown to work well in a wide variety of circuits. Additionally, some bulk capacitance can be needed, especially if the TPS54332 circuit is not located within about 2 inches from the input voltage source. The value for this capacitor is not critical but must be rated to handle the maximum input voltage including ripple voltage, and must filter the output so that input ripple voltage is acceptable. For this design, a single 10- μ F capacitor is used for the input decoupling capacitor that is X5R dielectric rated for 25 V. The equivalent series resistance (ESR) is approximately 3 m Ω , and the current rating is 3 A.

This input ripple voltage can be approximated by [方程式 6](#).

$$\Delta V_{IN} = \frac{I_{OUT(MAX)} \times 0.25}{C_{BULK} \times F_{SW}} + (I_{OUT(MAX)} \times ESR_{MAX}) \quad (6)$$

Where $I_{OUT(MAX)}$ is the maximum load current, f_{SW} is the switching frequency (derated by a factor of 0.8), C_{BULK} is the bulk capacitor value and ESR_{MAX} is the maximum series resistance of the bulk capacitor.

The maximum RMS input ripple current also needs to be checked. For worst case conditions, this can be approximated by [方程式 7](#).

$$I_{CIN} = \frac{I_{OUT(MAX)}}{2} \quad (7)$$

In this case, the input ripple voltage is 98 mV and the RMS ripple current is 1.75 A. Make sure to note that the actual input voltage ripple is greatly affected by parasitic associated with the layout and the output impedance of the voltage source. The actual input voltage ripple for this circuit is shown in [Design Parameters](#) and is larger than the calculated value. This measured value is still below the specified input limit of 200 mV. The maximum voltage across the input capacitors is $V_{IN\ max}$ plus $\Delta V_{IN}/2$. The chosen bypass capacitor is rated for 25 V and the ripple current capacity is greater than 3 A, providing ample margin. Make sure that the maximum ratings for voltage and current are not exceeded under any circumstance.

8.2.2.5 Output Filter Components

Select two components for the output filter, the output inductor L1, and the output capacitance. Because the TPS54332 is an externally compensated device, a wide range of filter component types and values can be supported.

8.2.2.6 Inductor Selection

To calculate the minimum value of the output inductor, use [方程式 8](#).

$$L_{MIN} = \frac{V_{OUT(MAX)} \times (V_{IN(MAX)} - V_{OUT})}{V_{IN(MAX)} \times K_{IND} \times I_{OUT} \times F_{SW} \times 0.8} \quad (8)$$

K_{IND} is a coefficient that represents the amount of inductor ripple current relative to the maximum output current. In general, this value is at the discretion of the designer; however, the following guidelines can be used. For designs using low-ESR output capacitors such as ceramics, a value as high as $K_{IND} = 0.4$ can be used. When using higher ESR output capacitors, $K_{IND} = 0.2$ yields better results.

For this design example, use $K_{IND} = 0.3$ and the minimum inductor value is calculated to be 2.48 μ H. For this design, a 2.5- μ H inductor is chosen.

For the output filter inductor, make sure that the RMS current and saturation current ratings not be exceeded. The peak-to-peak inductor current is calculated using [方程式 9](#).

$$I_{LPP} = \frac{V_{OUT} \times (V_{IN(MAX)} - V_{OUT})}{V_{IN(MAX)} \times L_{OUT} \times F_{SW} \times 0.8} \quad (9)$$

The RMS inductor current can be found from [方程式 10](#).

$$I_{L(RMS)} = \sqrt{I_{OUT(MAX)}^2 + \frac{1}{12} \times \left(\frac{V_{OUT} \times (V_{IN(MAX)} - V_{OUT})}{V_{IN(MAX)} \times L_{OUT} \times F_{SW} \times 0.8} \right)^2} \quad (10)$$

And the peak inductor current can be determined with [方程式 11](#).

$$I_{L(PK)} = I_{OUT(MAX)} + \frac{V_{OUT} \times (V_{IN(MAX)} - V_{OUT})}{1.6 \times V_{IN(MAX)} \times L_{OUT} \times F_{SW}} \quad (11)$$

For this design, the RMS inductor current is 3.51 A and the peak inductor current is 4.15 A. The chosen inductor is a Coilcraft MSS1038-252NX_ 2.5 μ H. The inductor has a saturation current rating of 7.62 A and an RMS current rating of 6.55 A, meeting these requirements. Smaller or larger inductor values can be used depending on the amount of ripple current the designer wishes to allow so long as the other design requirements are met. Larger value inductors have lower AC current and result in lower output voltage ripple, while smaller inductor values increase ac current and output voltage ripple. In general, inductor values for use with the TPS54332 are in the range of 1 μ H to 47 μ H.

8.2.2.7 Capacitor Selection

The important design factors for the output capacitor are DC voltage rating, ripple current rating, and equivalent series resistance (ESR). The DC voltage and ripple current ratings cannot be exceeded. The ESR is important because along with the inductor current it determines the amount of output ripple voltage. The actual value of the output capacitor is not critical, but some practical limits do exist. Consider the relationship between the desired closed-loop crossover frequency of the design and LC corner frequency of the output filter. In general, keeping the closed-loop crossover frequency at less than 1/5 of the switching frequency is desirable. With high-switching frequencies such as the 1 MHz frequency of this design, internal circuit limitations of the TPS54332 limit the practical maximum crossover frequency to about 75 kHz. In general, the closed-loop crossover frequency must be higher than the corner frequency determined by the load impedance and the output capacitor. This limits the minimum capacitor value for the output filter to:

$$C_{O_MIN} = \frac{1}{2 \times \pi \times R_O \times f_{CO_MAX}} \quad (12)$$

Where R_O is the output load impedance (V_O/I_O) and f_{CO} is the desired crossover frequency. For a desired maximum crossover of 75 kHz the minimum value for the output capacitor is around 3.2 μ F. This can not satisfy the output ripple voltage requirement. The output ripple voltage consists of two components; the voltage change due to the charge and discharge of the output filter capacitance and the voltage change due to the ripple current times the ESR of the output filter capacitor. The output ripple voltage can be estimated by:

$$V_{OPP} = I_{LPP} \times \left(\frac{(D - 0.5)}{4 \times f_{SW} \times C_O} + R_{ESR} \right) \quad (13)$$

Where C_O is the total effective output capacitance.

The maximum ESR of the output capacitor can be determined from the amount of allowable output ripple as specified in the initial design parameters. The contribution to the output ripple voltage due to ESR is the inductor ripple current times the ESR of the output filter, so the maximum specified ESR as listed in the capacitor data sheet is given by [方程式 14](#).

$$ESR_{MAX} = \frac{V_{OPPMAX}}{I_{LPP}} - \frac{(D - 0.5)}{4 \times f_{SW} \times C_O} \quad (14)$$

Where V_{OPPMAX} is the desired maximum peak-to-peak output ripple. The maximum RMS ripple current in the output capacitor is given by [方程式 15](#).

$$I_{COUT(RMS)} = \frac{1}{\sqrt{12}} \times \left(\frac{V_{OUT} \times (V_{IN(MAX)} - V_{OUT})}{V_{IN(MAX)} \times L_{OUT} \times f_{SW} \times N_C} \right) \quad (15)$$

The minimum switching frequency must be used in the above equations (derated by a factor of 0.8). For this design example, two 47- μ F ceramic output capacitors are chosen for C2 and C3. These are rated at 10 V with a maximum ESR of 3 m Ω and a ripple current rating in excess of 3 A. The calculated total RMS ripple current is 300 mA (150 mA each) and the total ESR required is 20 m Ω or less. These output capacitors exceed the requirements by a wide margin and result in a reliable, high-performance design. Note that the actual capacitance in circuit can be less than the catalog value when the output is operating at the desired output of 2.5 V. 10-V rated capacitors are used to minimize the this reduction in capacitance due to dc voltage on the output.

The selected output capacitor must be rated for a voltage greater than the desired output voltage plus $\frac{1}{2}$ the ripple voltage. Any derating amount must also be included. Other capacitor types work well with the TPS54332, depending on the needs of the application.

8.2.2.8 Compensation Components

The external compensation used with the TPS54332 allows for a wide range of output filter configurations. A large range of capacitor values and types of dielectric are supported. The design example uses ceramic X5R dielectric output capacitors, but other types are supported.

TI recommends a type II compensation scheme for the TPS54332. The compensation components are chosen to set the desired closed-loop crossover frequency and phase margin for output filter components. The type II compensation has the following characteristics; a DC gain component, a low-frequency pole, and a mid-frequency zero or pole pair.

The DC gain is determined by [方程式 16](#).

$$G_{DC} = \frac{V_{GGM} \times V_{REF}}{V_O} \quad (16)$$

Where:

$$V_{GGM} = 800$$

$$V_{REF} = 0.8 \text{ V}$$

The low-frequency pole is determined by [方程式 17](#).

$$F_{PO} = \frac{1}{2 \times \pi \times R_{O0} \times C_Z} \quad (17)$$

$$R_{OA} = 8.696 \text{ M}\Omega.$$

The mid-frequency zero is determined by [方程式 18](#).

$$F_{Z1} = \frac{1}{2 \times \pi \times R_Z \times C_Z} \quad (18)$$

And, the mid-frequency pole is given by [方程式 19](#).

$$F_{P1} = \frac{1}{2 \times \pi \times R_Z \times C_P} \quad (19)$$

The first step is to choose the closed-loop crossover frequency. The closed-loop crossover frequency must be less than $\frac{1}{8}$ of the minimum operating frequency, but for the TPS54332 TI recommends that the maximum closed-loop crossover frequency be not greater than 75 kHz. Next, the required gain and phase boost of the crossover network must be calculated. By definition, the gain of the compensation network must be the inverse of the gain of the modulator and output filter. For this design example, where the ESR zero is much higher than the closed-loop crossover frequency, the gain of the modulator and output filter can be approximated by [方程式 20](#).

$$\text{Gain} = -20 \times \log(2 \times \pi \times R_{SENSE} \times F_{CO} \times C_O) \quad (20)$$

Where:

$$R_{SENSE} = 1 \Omega / 12$$

F_{CO} = Closed-loop crossover frequency

C_O = Output capacitance

The phase loss is given by [方程式 21](#).

$$PL = \alpha \times \tan(2 \times \pi \times F_{CO} \times R_{ESR} \times C_O) - \alpha \times \tan(2 \times \pi \times F_{CO} \times R_O \times C_O) - 10\text{dB} \quad (21)$$

Where:

R_{ESR} = Equivalent series resistance of the output capacitor

$R_O = V_O/I_O$

The measured overall loop response for the circuit is given in [图 8-9](#). Note that the actual closed-loop crossover frequency is higher than intended at about 25 kHz. This is primarily due to variation in the actual values of the output filter components and tolerance variation of the internal feed-forward gain circuitry. Overall the design has greater than 60 degrees of phase margin and is completely stable over all combinations of line and load variability.

Now that the phase loss is known the required amount of phase boost to meet the phase margin requirement can be determined. The required phase boost is given by [方程式 22](#).

$$PB = (PM - 90\text{deg}) - PL \quad (22)$$

Where PM = the desired phase margin.

A zero, pole pair of the compensation network is placed symmetrically around the intended closed-loop frequency to provide maximum phase boost at the crossover point. The amount of separation can be determined by [方程式 23](#) and the resultant zero and pole frequencies are given by [方程式 24](#) and [方程式 25](#).

$$k = \tan\left(\frac{PB}{2} + 45\text{deg}\right) \quad (23)$$

$$F_{Z1} = \frac{F_{CO}}{k} \quad (24)$$

$$F_{P1} = F_{CO} \times k \quad (25)$$

The low-frequency pole is set so that the gain at the crossover frequency is equal to the inverse of the gain of the modulator and output filter. Due to the relationships established by the pole and zero relationships, the value of R_Z can be derived directly by [方程式 26](#).

$$R_Z = \frac{2 \times \pi \times F_{CO} \times V_O \times C_O \times R_{OA}}{GM_{COMP} \times V_{GGM} \times V_{REF}} \quad (26)$$

Where:

V_O = Output voltage

C_O = Output capacitance

F_{CO} = Desired crossover frequency

$R_{OA} = 8.696 \text{ M}\Omega$

$GM_{COMP} = 12 \text{ A/V}$

$V_{GGM} = 800$

$V_{REF} = 0.8 \text{ V}$

With R_Z known, C_Z and C_P can be calculated using [方程式 27](#) and [方程式 28](#).

$$C_Z = \frac{1}{2 \times \pi \times F_{Z1} \times R_Z} \quad (27)$$

$$C_P = \frac{1}{2 \times \pi \times F_{P1} \times R_Z} \quad (28)$$

For this design, the two 47- μ F output capacitors are used. For ceramic capacitors, the actual output capacitance is less than the rated value when the capacitors have a DC bias voltage applied. This is the case in a DC/DC converter. The actual output capacitance can be as low as 54 μ F. The combined ESR is approximately 0.001 Ω .

Using 方程式 20 and 方程式 21, the output stage gain and phase loss are equivalent as:

$$\text{Gain} = -6.94 \text{ dB}$$

and

$$\text{PL} = -93.94 \text{ degrees}$$

For 70 degrees of phase margin, 方程式 22 requires 63.64 degrees of phase boost.

方程式 23, 方程式 24, and 方程式 25 are used to find the zero and pole frequencies of:

$$F_{Z1} = 11.57 \text{ kHz}$$

And

$$F_{P1} = 216 \text{ kHz}$$

R_Z , C_Z , and C_P are calculated using 方程式 26, 方程式 27, and 方程式 28.

$$R_Z = \frac{2 \times \pi \times 50000 \times 2.5 \times 82 \times 10^{-6} \times 8.696 \times 10^6}{12 \times 800 \times 0.8} = 72.92 \text{ k}\Omega \quad (29)$$

$$C_Z = \frac{1}{2 \times \pi \times 11570 \times 75000} = 183 \text{ pF} \quad (30)$$

$$C_P = \frac{1}{2 \times \pi \times 216000 \times 75000} = 9.8 \text{ pF} \quad (31)$$

Using standard values for R_3 , C_6 , and C_7 in the application schematic of 图 8-1.

$$R_3 = 75 \text{ k}\Omega$$

$$C_6 = 180 \text{ pF}$$

$$C_7 = 10 \text{ pF}$$

8.2.2.9 Bootstrap Capacitor

Every TPS54332 design requires a bootstrap capacitor, C_4 . The bootstrap capacitor must be 0.1 μ F. The bootstrap capacitor is located between the PH pins and BOOT pin. The bootstrap capacitor must be a high-quality, ceramic type with X7R or X5R grade dielectric for temperature stability.

8.2.2.10 Catch Diode

The TPS54332 is designed to operate using an external catch diode between PH and GND. The selected diode must meet the absolute maximum ratings for the application: Reverse voltage must be higher than the maximum voltage at the PH pin, which is $V_{in}(\text{max}) + 0.5 \text{ V}$. Peak current must be greater than I_{OUTMAX} plus on half the peak-to-peak inductor current. Forward-voltage drop must be small for higher efficiencies. Make note that the catch diode conduction time is typically longer than the high-side FET on time, so attention paid to diode parameters can make a marked improvement in overall efficiency. Additionally, check that the device chosen is capable of dissipating the power losses. For this design, a Diodes, Inc. B340A is chosen, with a reverse voltage of 40 V, forward current of 3 A, and a forward voltage drop of 0.5 V.

8.2.2.11 Output Voltage Limitations

Due to the internal design of the TPS54332, there are both upper and lower output voltage limits for any given input voltage. The upper limit of the output voltage set point is constrained by the maximum duty cycle of 91% and is given by 方程式 32.

$$V_{O(MAX)} = 0.91 \times \left((V_{IN(MIN)} - I_{O(MAX)} \times R_{DS(ON)MAX} + V_D) - (I_{O(MAX)} \times R_L) - V_D \right) \quad (32)$$

Where:

$V_{IN(min)}$ = Minimum input voltage

$I_{O(max)}$ = Maximum load current

V_D = Catch diode forward voltage

R_L = Output inductor series resistance

The equation assumes maximum on resistance for the internal high-side FET.

The lower limit is constrained by the minimum controllable on time which can be as high as 130 ns. The approximate minimum output voltage for a given input voltage and minimum load current is given by [方程式 33](#).

$$V_{O(MIN)} = 0.118 \times \left((V_{IN(MAX)} - I_{O(MIN)} \times R_{DS(ON)MAX} + V_D) - I_{O(MIN)} \times R_L \right) - V_D \quad (33)$$

Where:

$V_{IN(max)}$ = Maximum input voltage

$I_{O(min)}$ = Minimum load current

V_D = Catch diode forward voltage

R_L = Output inductor series resistance

This equation assumes nominal on-resistance for the high-side FET and accounts for worst case variation of operating frequency set point. Any design operating near the operational limits of the device must be carefully checked to assure proper functionality.

8.2.2.12 Power Dissipation Estimate

The following formulas show how to estimate the device power dissipation under continuous conduction mode operations. These formulas must not be used if the device is working in the discontinuous conduction mode (DCM) or pulse-skipping Eco-mode.

The device power dissipation includes:

1. Conduction loss: $P_{con} = I_{out}^2 \times R_{DS(on)} \times V_{OUT}/V_{IN}$
2. Switching loss: $P_{sw} = 0.55 \times 10^{-9} \times V_{IN}^2 \times I_{OUT} \times F_{sw}$
3. Gate charge loss: $P_{gc} = 22.8 \times 10^{-9} \times F_{sw}$
4. Quiescent current loss: $P_q = 0.082 \times 10^{-3} \times V_{IN}$

Where:

- I_{OUT} is the output current (A).
- $R_{DS(on)}$ is the on-resistance of the high-side MOSFET (Ω).
- V_{OUT} is the output voltage (V).
- V_{IN} is the input voltage (V).
- F_{sw} is the switching frequency (Hz).
- $P_{tot} = P_{con} + P_{sw} + P_{gc} + P_q$
- For given T_A , $T_J = T_A + R_{th} \times P_{tot}$.
- For given $T_{JMAX} = 150^\circ\text{C}$, $T_{AMAX} = T_{JMAX} - R_{th} \times P_{tot}$.

Where:

- P_{tot} is the total device power dissipation (W).
- T_A is the ambient temperature ($^\circ\text{C}$).
- T_J is the junction temperature ($^\circ\text{C}$).

- R_{th} is the thermal resistance of the package ($^{\circ}C/W$).
- T_{JMAX} is maximum junction temperature ($^{\circ}C$).
- T_{AMAX} is maximum ambient temperature ($^{\circ}C$).

8.2.3 Application Curves

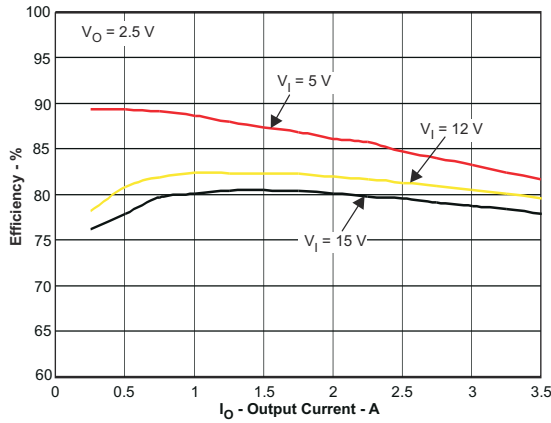


图 8-2. TPS54332 Efficiency

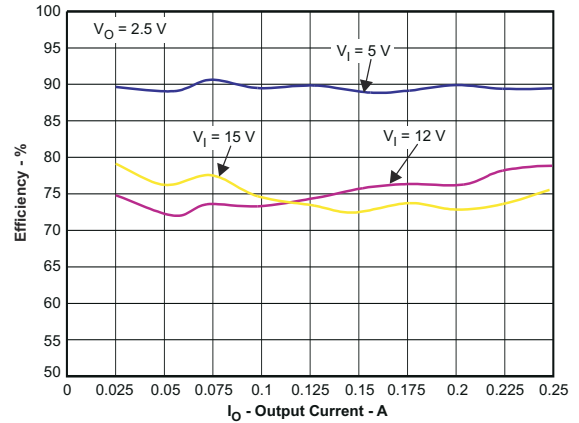


图 8-3. TPS54332 Low-Current Efficiency

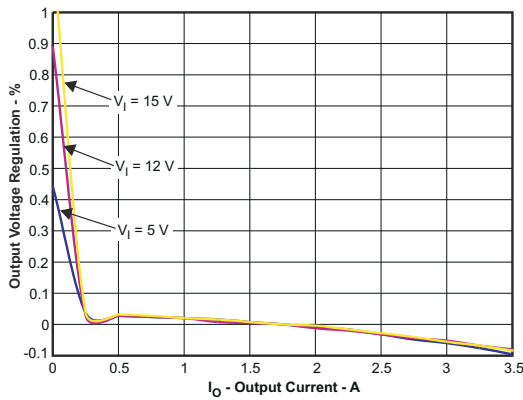


图 8-4. TPS54332 Load Regulation

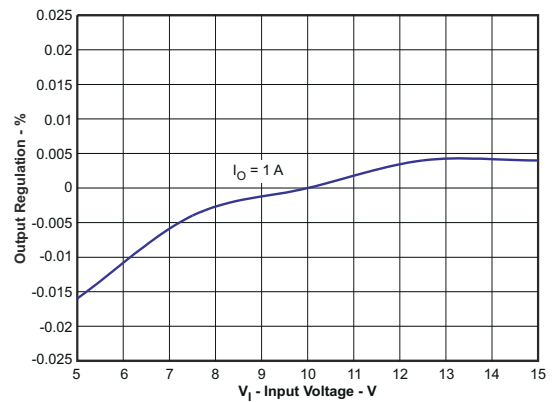


图 8-5. TPS54332 Line Regulation

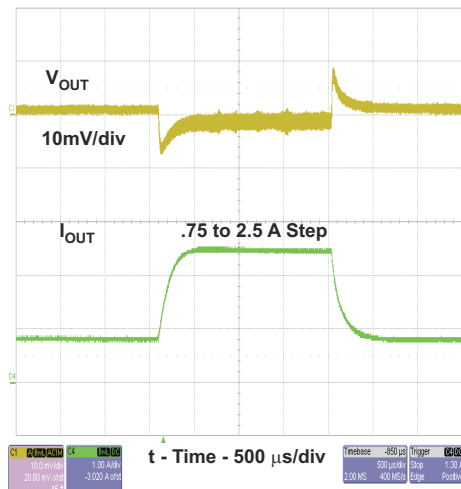


图 8-6. TPS54332 Transient Response

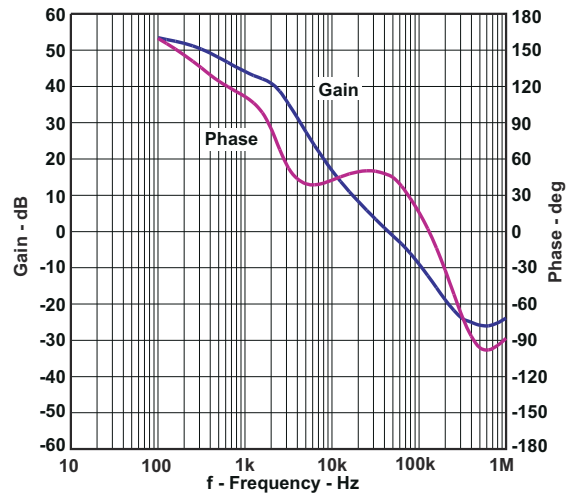
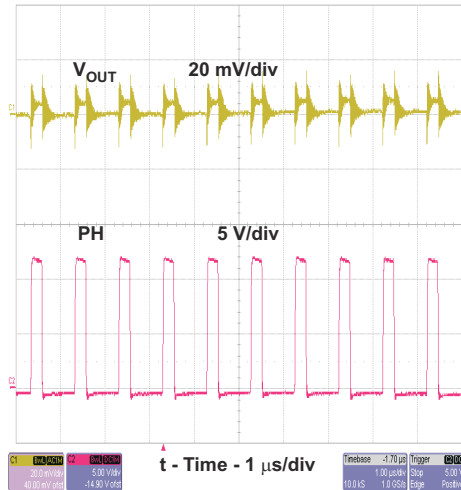
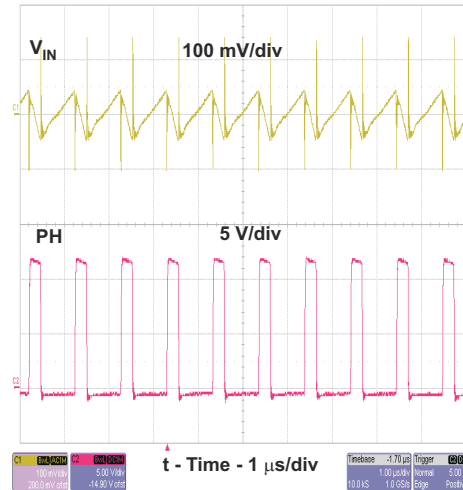
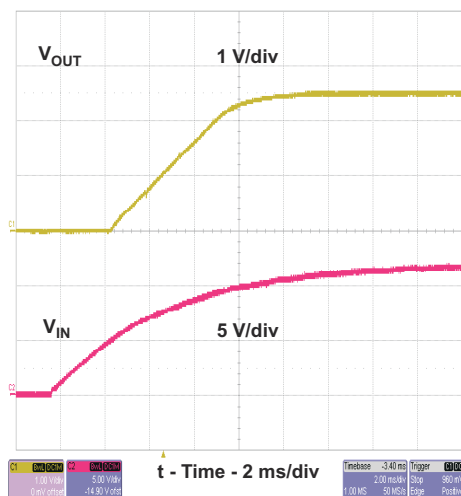
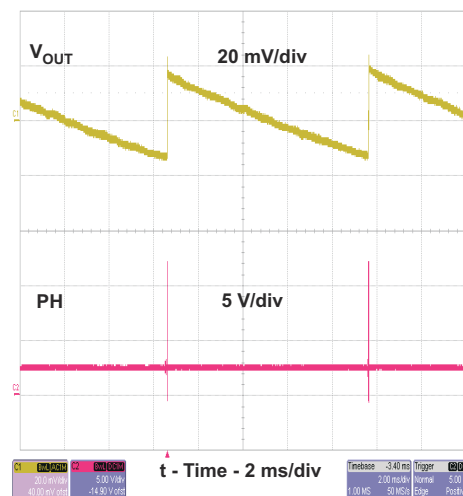


图 8-7. TPS54332 Loop Response


图 8-8. TPS54332 Output Ripple

图 8-9. TPS54332 Input Ripple

图 8-10. TPS54332 Start-Up

图 8-11. TPS54332 Output Ripple during Eco-mode Operation

8.3 Power Supply Recommendations

The devices are designed to operate from an input voltage supply range between 3.5 V and 28 V. This input supply must be well regulated. If the input supply is located more than a few inches from the converter additional bulk capacitance can be required in addition to the ceramic bypass capacitors. An electrolytic capacitor with a value of 100 μ F is a typical choice.

8.4 Layout

8.4.1 Layout Guidelines

The VIN pin must be bypassed to ground with a low-ESR, ceramic bypass capacitor. Take care to minimize the loop area formed by the bypass capacitor connections, the VIN pin, and the anode of the catch diode. The typical recommended bypass capacitance is 10- μ F ceramic with a X5R or X7R dielectric and the optimum placement is closest to the VIN pins and the source of the anode of the catch diode. See 图 8-12 for a PCB layout example. The GND D pin must be tied to the PCB ground plane at the pin of the IC. The source of the low-side MOSFET must be connected directly to the top-side PCB ground area used to tie together the ground sides of the input and output capacitors, as well as the anode of the catch diode. The PH pin must be routed to the cathode of the catch diode and to the output inductor. Because the PH connection is the switching node, the catch diode and output inductor must be located very close to the PH pins, and the area of the PCB conductor

minimized to prevent excessive capacitive coupling. For operation at full rated load, the top-side ground area must provide adequate heat dissipating area. The TPS54332 uses a fused lead frame so that the GND pin acts as a conductive path for heat dissipation from the die. Many applications have larger areas of internal or back side ground plane available, and the top-side ground area can be connected to these areas using multiple vias under or adjacent to the device to help dissipate heat. The additional external components can be placed approximately as shown. It can be possible to obtain acceptable performance with alternate layout schemes, however this layout has been shown to produce good results and is intended as a guideline.

8.4.2 Layout Example

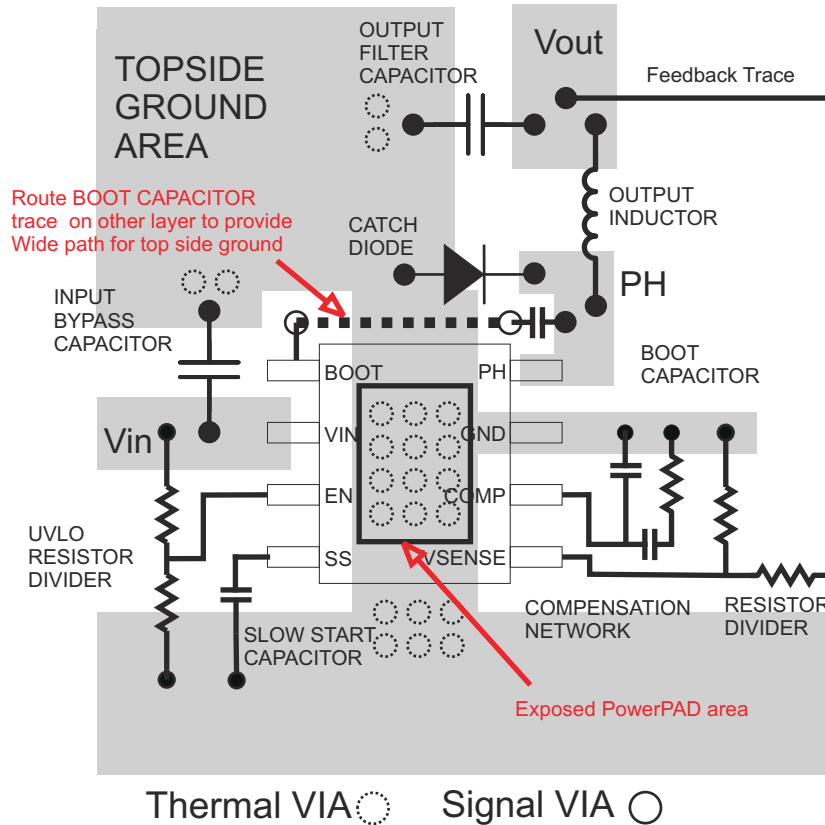


图 8-12. TPS54332 Board Layout

8.4.3 Estimated Circuit Area

The estimated printed circuit board area for the components used in the design of 图 8-1 is 0.58 in². This area does not include test points or connectors.

8.4.4 Electromagnetic Interference (EMI) Considerations

As EMI becomes a rising concern in more and more applications, the internal design of the TPS54332 takes measures to reduce the EMI. The high-side MOSFET gate-drive is designed to reduce the PH pin voltage ringing. The internal IC rails are isolated to decrease the noise sensitivity. A package bond wire scheme is used to lower the parasitics effects.

To achieve the best EMI performance, external component selection and board layout are equally important. Follow the [Detailed Design Procedure](#) to prevent potential EMI issues.

9 Device and Documentation Support

9.1 Device Support

9.1.1 Development Support

9.1.1.1 Custom Design with WEBENCH® Tools

Create a custom design with the TPS54332 using the [WEBENCH® Power Designer](#)

1. Start by entering the input voltage (Vin), output voltage (Vout), and output current (Iout) requirements.
2. Optimize the design for key parameters such as efficiency, footprint, and cost using the optimizer dial.
3. Compare the generated design with other possible solutions from Texas Instruments.

The WEBENCH Power Designer gives a customized schematic along with a list of materials with real-time pricing and component availability.

In most cases, these actions are available:

- Run electrical simulations to see important waveforms and circuit performance
- Run thermal simulations to understand board thermal performance
- Export customized schematic and layout into popular CAD formats
- Print PDF reports for the design, and share the design with colleagues

Get more information about WEBENCH tools at www.ti.com/WEBENCH.

9.2 支持资源

TI E2E™ 支持论坛是工程师的重要参考资料，可直接从专家获得快速、经过验证的解答和设计帮助。搜索现有解答或提出自己的问题可获得所需的快速设计帮助。

链接的内容由各个贡献者“按原样”提供。这些内容并不构成 TI 技术规范，并且不一定反映 TI 的观点；请参阅 TI 的《使用条款》。

9.3 接收文档更新通知

要接收文档更新通知，请导航至 ti.com 上的器件产品文件夹。点击 [订阅更新](#) 进行注册，即可每周接收产品信息更改摘要。有关更改的详细信息，请查看任何已修订文档中包含的修订历史记录。

9.4 Trademarks

PowerPAD™ and TI E2E™ are trademarks of Texas Instruments.

WEBENCH® is a registered trademark of Texas Instruments.

所有商标均为其各自所有者的财产。

9.5 静电放电警告



静电放电 (ESD) 会损坏这个集成电路。德州仪器 (TI) 建议通过适当的预防措施处理所有集成电路。如果不遵守正确的处理和安装程序，可能会损坏集成电路。

ESD 的损坏小至导致微小的性能降级，大至整个器件故障。精密的集成电路可能更容易受到损坏，这是因为非常细微的参数更改都可能会导致器件与其发布的规格不相符。

9.6 术语表

TI 术语表 本术语表列出并解释了术语、首字母缩略词和定义。

10 Mechanical, Packaging, and Orderable Information

The following pages include mechanical, packaging, and orderable information. This information is the most current data available for the designated devices. This data is subject to change without notice and revision of this document. For browser-based versions of this data sheet, refer to the left-hand navigation.

PACKAGING INFORMATION

Orderable Device	Status (1)	Package Type	Package Drawing	Pins	Package Qty	Eco Plan (2)	Lead finish/ Ball material (6)	MSL Peak Temp (3)	Op Temp (°C)	Device Marking (4/5)	Samples
TPS54332DDA	ACTIVE	SO PowerPAD	DDA	8	75	RoHS & Green	NIPDAU	Level-2-260C-1 YEAR	-40 to 150	54332	Samples
TPS54332DDAR	ACTIVE	SO PowerPAD	DDA	8	2500	RoHS & Green	NIPDAU	Level-2-260C-1 YEAR	-40 to 150	54332	Samples

(1) The marketing status values are defined as follows:

ACTIVE: Product device recommended for new designs.

LIFEBUY: TI has announced that the device will be discontinued, and a lifetime-buy period is in effect.

NRND: Not recommended for new designs. Device is in production to support existing customers, but TI does not recommend using this part in a new design.

PREVIEW: Device has been announced but is not in production. Samples may or may not be available.

OBSOLETE: TI has discontinued the production of the device.

(2) **RoHS:** TI defines "RoHS" to mean semiconductor products that are compliant with the current EU RoHS requirements for all 10 RoHS substances, including the requirement that RoHS substance do not exceed 0.1% by weight in homogeneous materials. Where designed to be soldered at high temperatures, "RoHS" products are suitable for use in specified lead-free processes. TI may reference these types of products as "Pb-Free".

RoHS Exempt: TI defines "RoHS Exempt" to mean products that contain lead but are compliant with EU RoHS pursuant to a specific EU RoHS exemption.

Green: TI defines "Green" to mean the content of Chlorine (Cl) and Bromine (Br) based flame retardants meet JS709B low halogen requirements of <=1000ppm threshold. Antimony trioxide based flame retardants must also meet the <=1000ppm threshold requirement.

(3) MSL, Peak Temp. - The Moisture Sensitivity Level rating according to the JEDEC industry standard classifications, and peak solder temperature.

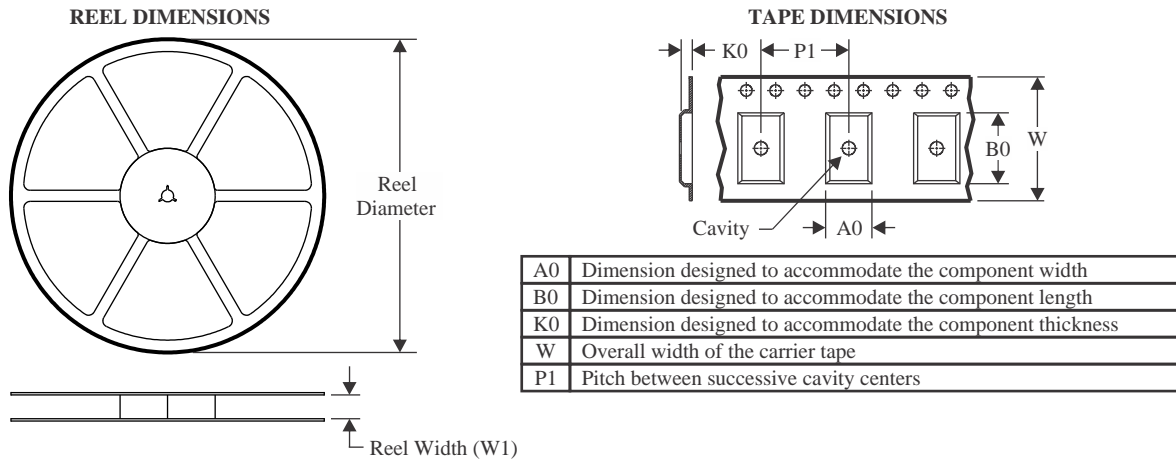
(4) There may be additional marking, which relates to the logo, the lot trace code information, or the environmental category on the device.

(5) Multiple Device Markings will be inside parentheses. Only one Device Marking contained in parentheses and separated by a "~" will appear on a device. If a line is indented then it is a continuation of the previous line and the two combined represent the entire Device Marking for that device.

(6) Lead finish/Ball material - Orderable Devices may have multiple material finish options. Finish options are separated by a vertical ruled line. Lead finish/Ball material values may wrap to two lines if the finish value exceeds the maximum column width.

Important Information and Disclaimer:The information provided on this page represents TI's knowledge and belief as of the date that it is provided. TI bases its knowledge and belief on information provided by third parties, and makes no representation or warranty as to the accuracy of such information. Efforts are underway to better integrate information from third parties. TI has taken and continues to take reasonable steps to provide representative and accurate information but may not have conducted destructive testing or chemical analysis on incoming materials and chemicals. TI and TI suppliers consider certain information to be proprietary, and thus CAS numbers and other limited information may not be available for release.

In no event shall TI's liability arising out of such information exceed the total purchase price of the TI part(s) at issue in this document sold by TI to Customer on an annual basis.

TAPE AND REEL INFORMATION

QUADRANT ASSIGNMENTS FOR PIN 1 ORIENTATION IN TAPE


*All dimensions are nominal

Device	Package Type	Package Drawing	Pins	SPQ	Reel Diameter (mm)	Reel Width W1 (mm)	A0 (mm)	B0 (mm)	K0 (mm)	P1 (mm)	W (mm)	Pin1 Quadrant
TPS54332DDAR	SO PowerPAD	DDA	8	2500	330.0	12.4	6.4	5.2	2.1	8.0	12.0	Q1

TAPE AND REEL BOX DIMENSIONS



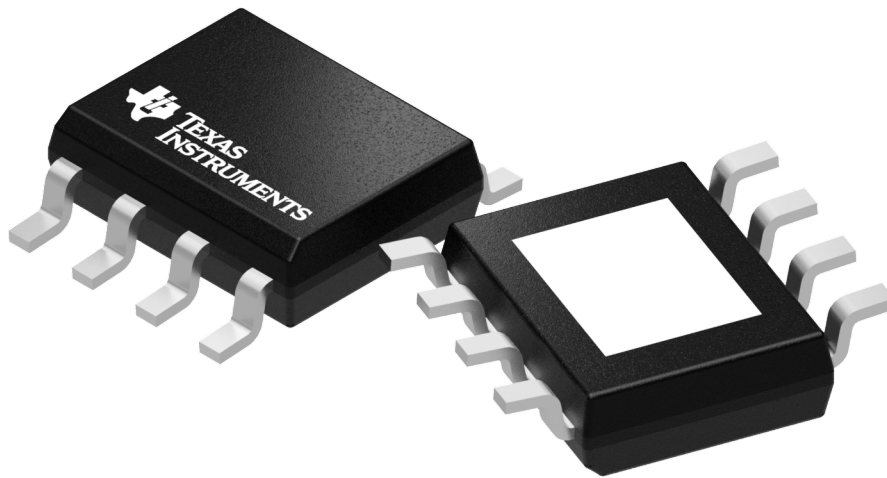
*All dimensions are nominal

Device	Package Type	Package Drawing	Pins	SPQ	Length (mm)	Width (mm)	Height (mm)
TPS54332DDAR	SO PowerPAD	DDA	8	2500	356.0	356.0	35.0

TUBE


*All dimensions are nominal

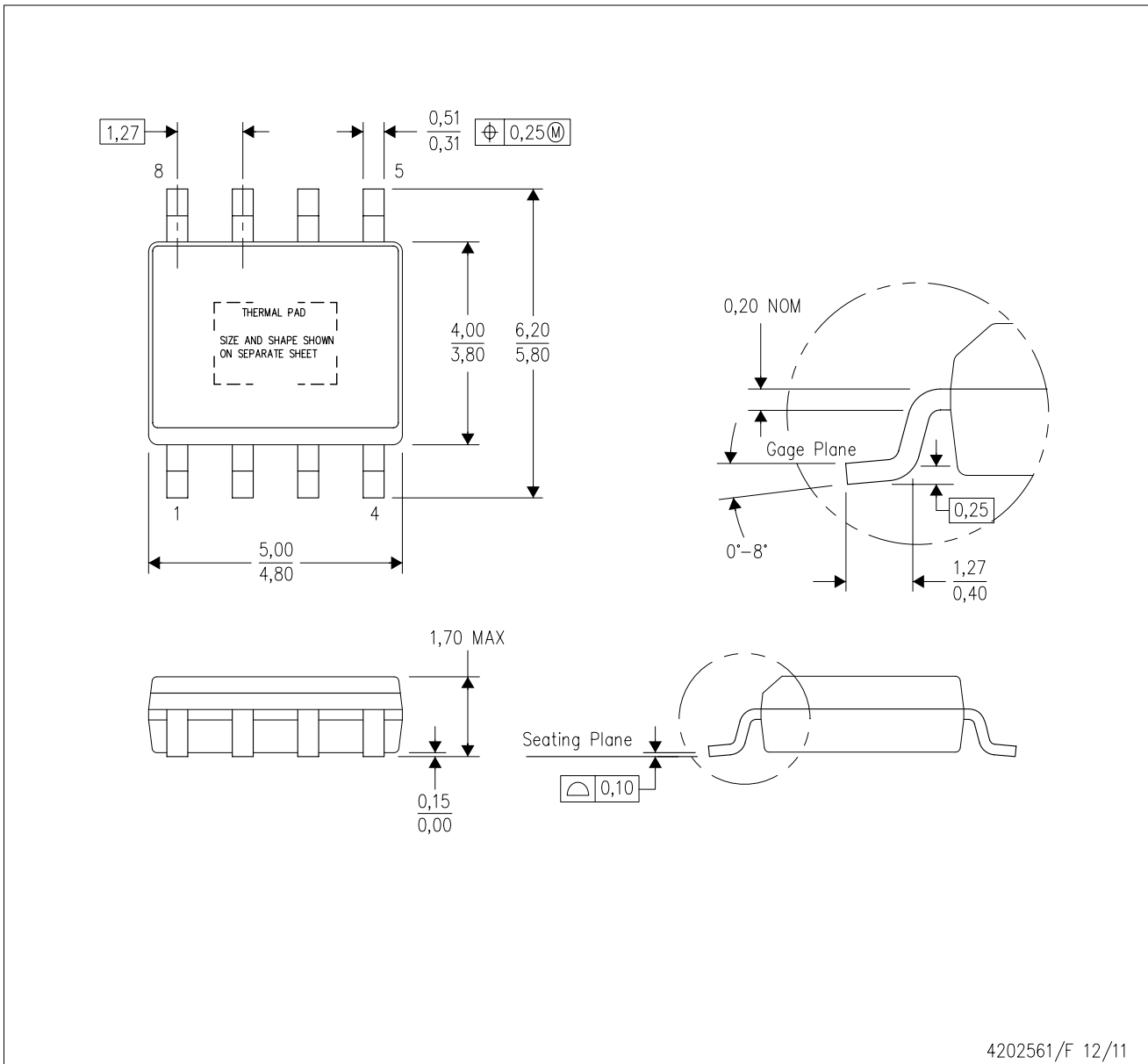
Device	Package Name	Package Type	Pins	SPQ	L (mm)	W (mm)	T (μm)	B (mm)
TPS54332DDA	DDA	HSOIC	8	75	506.6	8	3940	4.32



Images above are just a representation of the package family, actual package may vary.
Refer to the product data sheet for package details.

DDA (R-PDSO-G8)

PowerPAD™ PLASTIC SMALL-OUTLINE



4202561/F 12/11

- NOTES:
- A. All linear dimensions are in millimeters. Dimensioning and tolerancing per ASME Y14.5-1994.
 - B. This drawing is subject to change without notice.
 - C. Body dimensions do not include mold flash or protrusion not to exceed 0,15.
 - D. This package is designed to be soldered to a thermal pad on the board. Refer to Technical Brief, PowerPad Thermally Enhanced Package, Texas Instruments Literature No. SLMA002 for information regarding recommended board layout. This document is available at www.ti.com <<http://www.ti.com>>.
 - E. See the additional figure in the Product Data Sheet for details regarding the exposed thermal pad features and dimensions.
 - F. This package complies to JEDEC MS-012 variation BA

PowerPAD is a trademark of Texas Instruments.

DDA (R-PDSO-G8)

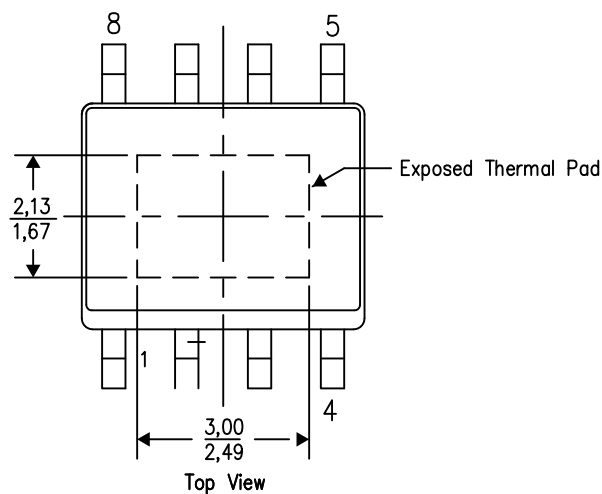
PowerPAD™ PLASTIC SMALL OUTLINE

THERMAL INFORMATION

This PowerPAD™ package incorporates an exposed thermal pad that is designed to be attached to a printed circuit board (PCB). The thermal pad must be soldered directly to the PCB. After soldering, the PCB can be used as a heatsink. In addition, through the use of thermal vias, the thermal pad can be attached directly to the appropriate copper plane shown in the electrical schematic for the device, or alternatively, can be attached to a special heatsink structure designed into the PCB. This design optimizes the heat transfer from the integrated circuit (IC).

For additional information on the PowerPAD package and how to take advantage of its heat dissipating abilities, refer to Technical Brief, PowerPAD Thermally Enhanced Package, Texas Instruments Literature No. SLMA002 and Application Brief, PowerPAD Made Easy, Texas Instruments Literature No. SLMA004. Both documents are available at www.ti.com.

The exposed thermal pad dimensions for this package are shown in the following illustration.

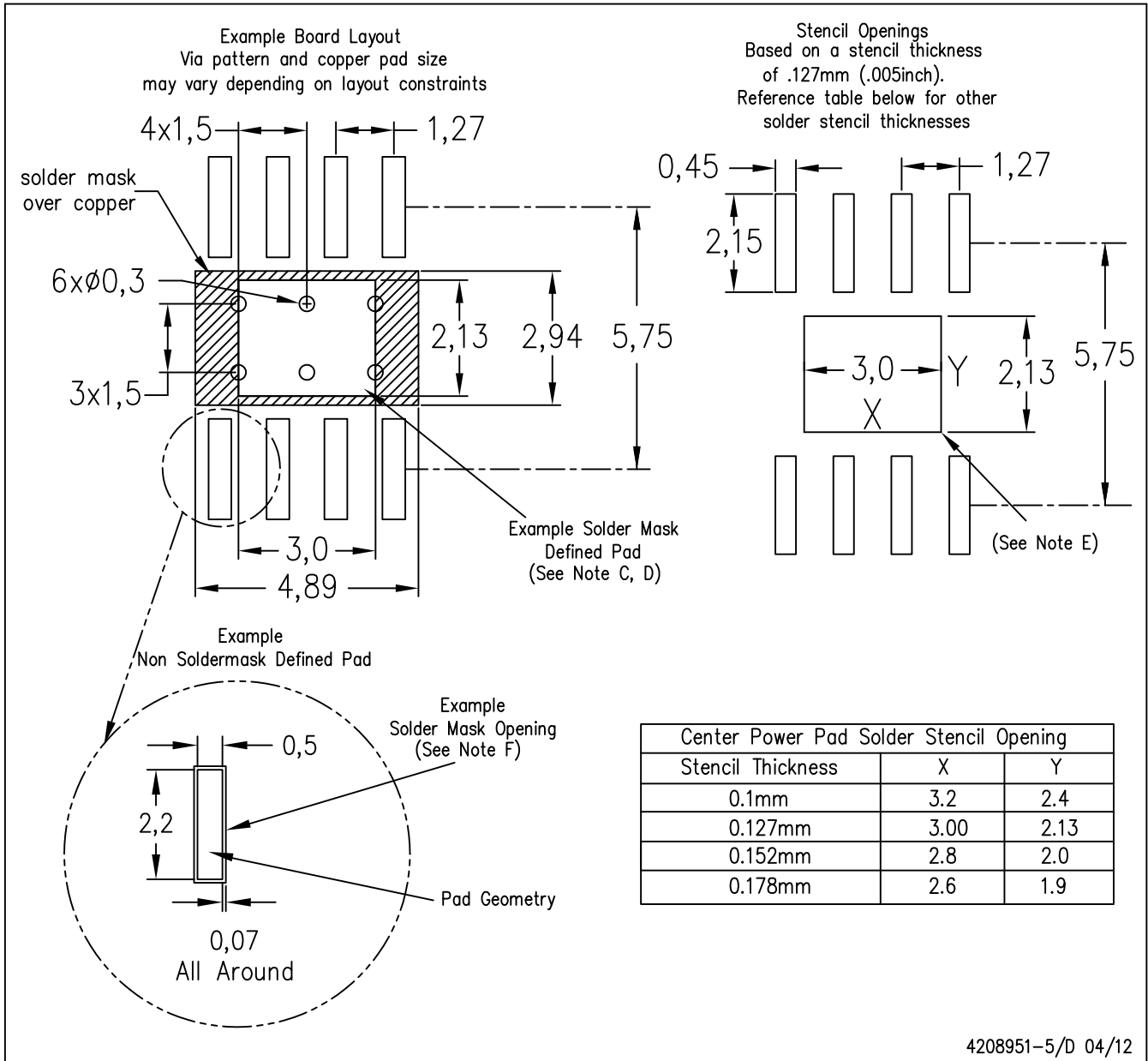


Exposed Thermal Pad Dimensions

4206322-5/L 05/12

NOTE: A. All linear dimensions are in millimeters

PowerPAD is a trademark of Texas Instruments



- NOTES:
- A. All linear dimensions are in millimeters.
 - B. This drawing is subject to change without notice.
 - C. Customers should place a note on the circuit board fabrication drawing not to alter the center solder mask defined pad.
 - D. This package is designed to be soldered to a thermal pad on the board. Refer to Technical Brief, PowerPad Thermally Enhanced Package, Texas Instruments Literature No. SLMA002, SLMA004, and also the Product Data Sheets for specific thermal information, via requirements, and recommended board layout. These documents are available at www.ti.com <<http://www.ti.com>>. Publication IPC-7351 is recommended for alternate designs.
 - E. Laser cutting apertures with trapezoidal walls and also rounding corners will offer better paste release. Customers should contact their board assembly site for stencil design recommendations. Example stencil design based on a 50% volumetric metal load solder paste. Refer to IPC-7525 for other stencil recommendations.
 - F. Customers should contact their board fabrication site for solder mask tolerances between and around signal pads.

PowerPAD is a trademark of Texas Instruments.

重要声明和免责声明

TI“按原样”提供技术和可靠性数据（包括数据表）、设计资源（包括参考设计）、应用或其他设计建议、网络工具、安全信息和其他资源，不保证没有瑕疵且不做任何明示或暗示的担保，包括但不限于对适销性、某特定用途方面的适用性或不侵犯任何第三方知识产权的暗示担保。

这些资源可供使用 TI 产品进行设计的熟练开发人员使用。您将自行承担以下全部责任：(1) 针对您的应用选择合适的 TI 产品，(2) 设计、验证并测试您的应用，(3) 确保您的应用满足相应标准以及任何其他功能安全、信息安全、监管或其他要求。

这些资源如有变更，恕不另行通知。TI 授权您仅可将这些资源用于研发本资源所述的 TI 产品的应用。严禁对这些资源进行其他复制或展示。您无权使用任何其他 TI 知识产权或任何第三方知识产权。您应全额赔偿因在这些资源的使用中对 TI 及其代表造成的任何索赔、损害、成本、损失和债务，TI 对此概不负责。

TI 提供的产品受 [TI 的销售条款](#) 或 [ti.com](#) 上其他适用条款/TI 产品随附的其他适用条款的约束。TI 提供这些资源并不会扩展或以其他方式更改 TI 针对 TI 产品发布的适用的担保或担保免责声明。

TI 反对并拒绝您可能提出的任何其他或不同的条款。

邮寄地址：Texas Instruments, Post Office Box 655303, Dallas, Texas 75265

Copyright © 2023，德州仪器 (TI) 公司

单击下面可查看定价，库存，交付和生命周期等信息

[>>TI\(德州仪器\)](#)