

FEATURES

- Wide Bandwidth (BW = 900 MHz Typ)
- Low Crosstalk ($X_{TALK} = -41$ dB Typ)
- Low Bit-to-Bit Skew [$t_{sk(o)} = 0.2$ ns Max]
- Low and Flat ON-State Resistance ($r_{on} = 4 \Omega$ Typ, $r_{on(Flat)} = 0.7 \Omega$ Typ)
- Low Input/Output Capacitance ($C_{ON} = 10$ pF Typ)
- Rail-to-Rail Switching on Data I/O Ports (0 to 5 V)
- V_{DD} Operating Range From 3 V to 3.6 V
- I_{off} Supports Partial Power-Down-Mode Operation
- Latch-Up Performance Exceeds 100 mA Per JESD 78, Class II
- ESD Performance Tested Per JESD 22
 - 2000-V Human-Body Model (A114-B, Class II)
 - 1000-V Charged-Device Model (C101)
- Suitable for 10-/100-/1000-Mbit Ethernet Signaling

APPLICATIONS

- 10/100/1000 Base-T Signal Switching
- Differential (LVDS, LVPECL) Signal Switching
- Digital Video Signal Routing
- Notebook Docking Signal Routing
- Hub and Router Signal Switching

DESCRIPTION/ORDERING INFORMATION

The TS3L301 is a 16-bit to 8-bit multiplexer/demultiplexer local area network (LAN) switch with a single select (SEL) input. The SEL input controls the data path of the multiplexer/demultiplexer.

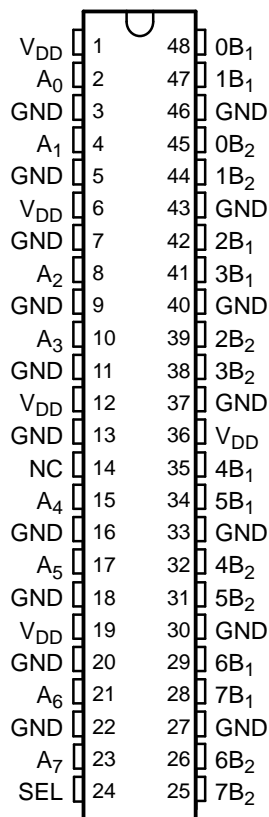
The device provides a low and flat ON-state resistance (r_{on}) and an excellent ON-state resistance match. Low input/output capacitance, high-bandwidth, low skew, and low crosstalk among channels make this device suitable for various LAN applications, such as 10/100/1000 Base-T.

ORDERING INFORMATION

| T_A | PACKAGE ⁽¹⁾ | | ORDERABLE PART NUMBER | TOP-SIDE MARKING |
|---------------|------------------------|---------------|-----------------------|------------------|
| -40°C to 85°C | TSSOP – DGG | Tape and reel | TS3L301DGGR | TS3L301 |
| | TVSOP – DGV | Tape and reel | TS3L301DGVR | TK301 |

(1) Package drawings, standard packing quantities, thermal data, symbolization, and PCB design guidelines are available at www.ti.com/sc/package.

DGG OR DGV PACKAGE
(TOP VIEW)



NC – No internal connection



Please be aware that an important notice concerning availability, standard warranty, and use in critical applications of Texas Instruments semiconductor products and disclaimers thereto appears at the end of this data sheet.

TS3L301
16-BIT TO 8-BIT SPDT GIGABIT LAN SWITCH
WITH LOW AND FLAT ON-STATE RESISTANCE

SCDS178C–NOVEMBER 2004–REVISED APRIL 2006

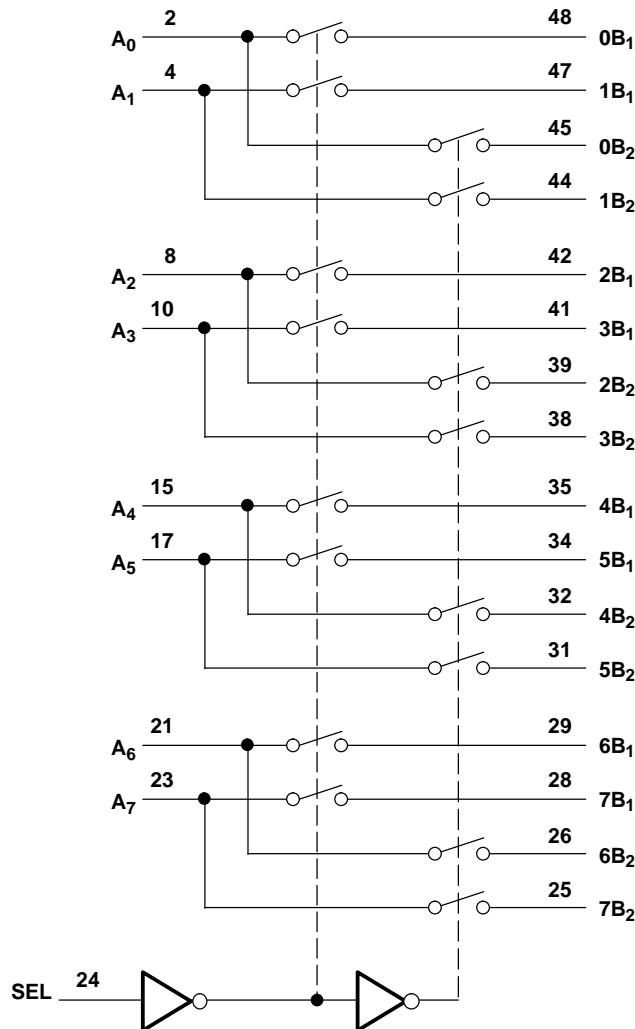
FUNCTION TABLE

| INPUT SEL | INPUT/OUTPUT A_n | FUNCTION |
|-----------|--------------------|--------------|
| L | nB_1 | $A_n = nB_1$ |
| H | nB_2 | $A_n = nB_2$ |

PIN DESCRIPTION

| NAME | DESCRIPTION |
|--------|--------------|
| A_n | Data I/Os |
| nB_m | Data I/Os |
| SEL | Select input |

LOGIC DIAGRAM (POSITIVE LOGIC)



Absolute Maximum Ratings⁽¹⁾

over operating free-air temperature range (unless otherwise noted)

| | | MIN | MAX | UNIT |
|-------------------|---|----------------------|------|------|
| V _{DD} | Supply voltage range | -0.5 | 4.6 | V |
| V _{IN} | Control input voltage range ⁽²⁾⁽³⁾ | -0.5 | 7 | V |
| V _{I/O} | Switch I/O voltage range ⁽²⁾⁽³⁾⁽⁴⁾ | -0.5 | 7 | V |
| I _{IK} | Control input clamp current | V _{IN} < 0 | -50 | mA |
| I _{I/OK} | I/O port clamp current | V _{I/O} < 0 | -50 | mA |
| I _{I/O} | ON-state switch current ⁽⁵⁾ | | ±128 | mA |
| | Continuous current through V _{DD} or GND | | ±100 | mA |
| θ _{JA} | Package thermal impedance ⁽⁶⁾ | DGG package | 70 | °C/W |
| | | DGV package | 58 | |
| T _{stg} | Storage temperature range | -65 | 150 | °C |

(1) Stresses beyond those listed under "absolute maximum ratings" may cause permanent damage to the device. These are stress ratings only, and functional operation of the device at these or any other conditions beyond those indicated under "recommended operating conditions" is not implied. Exposure to absolute-maximum-rated conditions for extended periods may affect device reliability.

(2) All voltages are with respect to ground, unless otherwise specified.

(3) The input and output voltage ratings may be exceeded if the input and output clamp-current ratings are observed.

(4) V_I and V_O are used to denote specific conditions for V_{I/O}.

(5) I_I and I_O are used to denote specific conditions for I_{I/O}.

(6) The package thermal impedance is calculated in accordance with JESD 51-7.

Recommended Operating Conditions⁽¹⁾

| | | MIN | MAX | UNIT |
|------------------|--|-----|-----|------|
| V _{DD} | Supply voltage | 3 | 3.6 | V |
| V _{IH} | High-level control input voltage (SEL) | 2 | 5.5 | V |
| V _{IL} | Low-level control input voltage (SEL) | 0 | 0.8 | V |
| V _{I/O} | Input/output voltage | 0 | 5.5 | V |
| T _A | Operating free-air temperature | -40 | 85 | °C |

(1) All unused control inputs of the device must be held at V_{DD} or GND to ensure proper device operation. Refer to the TI application report, *Implications of Slow or Floating CMOS Inputs*, literature number SCBA004.

TS3L301

16-BIT TO 8-BIT SPDT GIGABIT LAN SWITCH WITH LOW AND FLAT ON-STATE RESISTANCE

SCDS178C–NOVEMBER 2004–REVISED APRIL 2006

Electrical Characteristics

for 1000 Base-T Ethernet switching over recommended operating free-air temperature range, $V_{DD} = 3.3 \text{ V} \pm 0.3 \text{ V}$
(unless otherwise noted)

| PARAMETER | | TEST CONDITIONS ⁽¹⁾ | | MIN | TYP ⁽²⁾ | MAX | UNIT |
|--------------------------------|--------|--------------------------------|--|------------------------|--------------------|---------|---------------|
| V_{IK} | SEL | $V_{DD} = 3.6 \text{ V}$, | $I_{IN} = -18 \text{ mA}$ | -0.7 | -1.2 | | V |
| I_{IH} | SEL | $V_{DD} = 3.6 \text{ V}$, | $V_{IN} = V_{DD}$ | | ± 1 | | μA |
| I_{IL} | SEL | $V_{DD} = 3.6 \text{ V}$, | $V_{IN} = \text{GND}$ | | ± 1 | | μA |
| I_{off} | | $V_{DD} = 0$, | $V_O = 0 \text{ to } 3.6 \text{ V}$, | $V_I = 0$ | | 1 | μA |
| I_{DD} | | $V_{DD} = 3.6 \text{ V}$, | $I_{I/O} = 0$, | Switch ON or OFF | | 250 600 | μA |
| C_{IN} | SEL | $f = 1 \text{ MHz}$, | $V_{IN} = 0$ | | 2.5 | 3 | pF |
| C_{OFF} | B port | $V_I = 0$, | $f = 1 \text{ MHz}$, | Outputs open, | Switch OFF | | 3.5 4 |
| C_{ON} | | $V_I = 0$, | $f = 1 \text{ MHz}$, | Outputs open, | Switch ON | | 10 10.9 |
| r_{on} | | $V_{DD} = 3 \text{ V}$, | $1.5 \text{ V} \leq V_I \leq V_{DD}$, | $I_O = -40 \text{ mA}$ | 4 | 8 | Ω |
| $r_{on(Flat)}$ ⁽³⁾ | | $V_{DD} = 3 \text{ V}$, | $V_I = 1.5 \text{ V}$ and V_{DD} , | $I_O = -40 \text{ mA}$ | 0.7 | | Ω |
| Δr_{on} ⁽⁴⁾ | | $V_{DD} = 3 \text{ V}$, | $1.5 \text{ V} \leq V_I \leq V_{DD}$, | $I_O = -40 \text{ mA}$ | 0.2 | 1.2 | Ω |

- (1) V_I , V_O , I_I , and I_O refer to I/O pins. V_{IN} refers to the control inputs.
(2) All typical values are at $V_{DD} = 3.3 \text{ V}$ (unless otherwise noted), $T_A = 25^\circ\text{C}$.
(3) $r_{on(Flat)}$ is the difference of r_{on} in a given channel at specified voltages.
(4) Δr_{on} is the difference of r_{on} from center (A_4 , A_5) ports to any other port.

Electrical Characteristics

for 10/100 Base-T Ethernet switching over recommended operating free-air temperature range, $V_{DD} = 3.3 \text{ V} \pm 0.3 \text{ V}$
(unless otherwise noted)

| PARAMETER | | TEST CONDITIONS ⁽¹⁾ | | MIN | TYP ⁽²⁾ | MAX | UNIT |
|--------------------------------|--------|--------------------------------|---|--|--------------------|---------|---------------|
| V_{IK} | SEL | $V_{DD} = 3.6 \text{ V}$, | $I_{IN} = -18 \text{ mA}$ | -0.7 | -1.2 | | V |
| I_{IH} | SEL | $V_{DD} = 3.6 \text{ V}$, | $V_{IN} = V_{DD}$ | | ± 1 | | μA |
| I_{IL} | SEL | $V_{DD} = 3.6 \text{ V}$, | $V_{IN} = \text{GND}$ | | ± 1 | | μA |
| I_{off} | | $V_{DD} = 0$, | $V_O = 0 \text{ to } 3.6 \text{ V}$, | $V_I = 0$ | | 1 | μA |
| I_{DD} | | $V_{DD} = 3.6 \text{ V}$, | $I_{I/O} = 0$, | Switch ON or OFF | | 250 600 | μA |
| C_{IN} | SEL | $f = 1 \text{ MHz}$, | $V_{IN} = 0$ | | 2.5 | 3 | pF |
| C_{OFF} | B port | $V_I = 0$, | $f = 1 \text{ MHz}$, | Outputs open, | Switch OFF | | 3.5 4 |
| C_{ON} | | $V_I = 0$, | $f = 1 \text{ MHz}$, | Outputs open, | Switch ON | | 10 10.9 |
| r_{on} | | $V_{DD} = 3 \text{ V}$, | $1.25 \text{ V} \leq V_I \leq V_{DD}$, | $I_O = -10 \text{ mA}$ to -30 mA | 4 | 8 | Ω |
| $r_{on(Flat)}$ ⁽³⁾ | | $V_{DD} = 3 \text{ V}$, | $V_I = 1.25 \text{ V}$ and V_{DD} , | $I_O = -10 \text{ mA}$ to -30 mA | 0.7 | | Ω |
| Δr_{on} ⁽⁴⁾ | | $V_{DD} = 3 \text{ V}$, | $1.25 \text{ V} \leq V_I \leq V_{DD}$, | $I_O = -10 \text{ mA}$ to -30 mA | 0.2 | 1.2 | Ω |

- (1) V_I , V_O , I_I , and I_O refer to I/O pins. V_{IN} refers to the control inputs.
(2) All typical values are at $V_{DD} = 3.3 \text{ V}$ (unless otherwise noted), $T_A = 25^\circ\text{C}$.
(3) $r_{on(Flat)}$ is the difference of r_{on} in a given channel at specified voltages.
(4) Δr_{on} is the difference of r_{on} from center (A_4 , A_5) ports to any other port.

Switching Characteristics

over recommended operating free-air temperature range, $V_{DD} = 3.3 \text{ V} \pm 0.3 \text{ V}$, $R_L = 200 \ \Omega$, $C_L = 10 \text{ pF}$
(unless otherwise noted) (see Figures 4 and 5)

| PARAMETER | FROM (INPUT) | TO (OUTPUT) | MIN | TYP ⁽¹⁾ | MAX | UNIT |
|----------------------------|-----------------|----------------|-----|--------------------|------|------|
| t_{pd} ⁽²⁾ | A or B | B or A | | 0.25 | | ns |
| t_{PZH} , t_{PZL} | SEL | A or B | 1.5 | | 11.5 | ns |
| t_{PHZ} , t_{PLZ} | SEL | A or B | 1 | | 8.5 | ns |
| $t_{sk(o)}$ ⁽³⁾ | A or B | B or A | | 0.1 | 0.2 | ns |
| $t_{sk(p)}$ ⁽⁴⁾ | | | | 0.1 | 0.2 | ns |

(1) All typical values are at $V_{DD} = 3.3 \text{ V}$ (unless otherwise noted), $T_A = 25^\circ\text{C}$.

(2) The propagation delay is the calculated RC time constant of the typical ON-state resistance of the switch and the specified load capacitance when driven by an ideal voltage source (zero output impedance).

(3) Output skew between center port (A_4 to A_5) to any other port

(4) Skew between opposite transitions of the same output in a given device $|t_{PHL} - t_{PLH}|$

Dynamic Characteristics

over recommended operating free-air temperature range, $V_{DD} = 3.3 \text{ V} \pm 0.3 \text{ V}$ (unless otherwise noted)

| PARAMETER | TEST CONDITIONS | | | TYP ⁽¹⁾ | UNIT |
|------------|------------------------|-------------------------|--------------|--------------------|------|
| X_{TALK} | $R_L = 100 \ \Omega$, | $f = 250 \text{ MHz}$, | See Figure 7 | -41 | dB |
| O_{IRR} | $R_L = 100 \ \Omega$, | $f = 250 \text{ MHz}$, | See Figure 8 | -39 | dB |
| BW | $R_L = 100 \ \Omega$, | See Figure 6 | | 900 | MHz |

(1) All typical values are at $V_{DD} = 3.3 \text{ V}$ (unless otherwise noted), $T_A = 25^\circ\text{C}$.

OPERATING CHARACTERISTICS

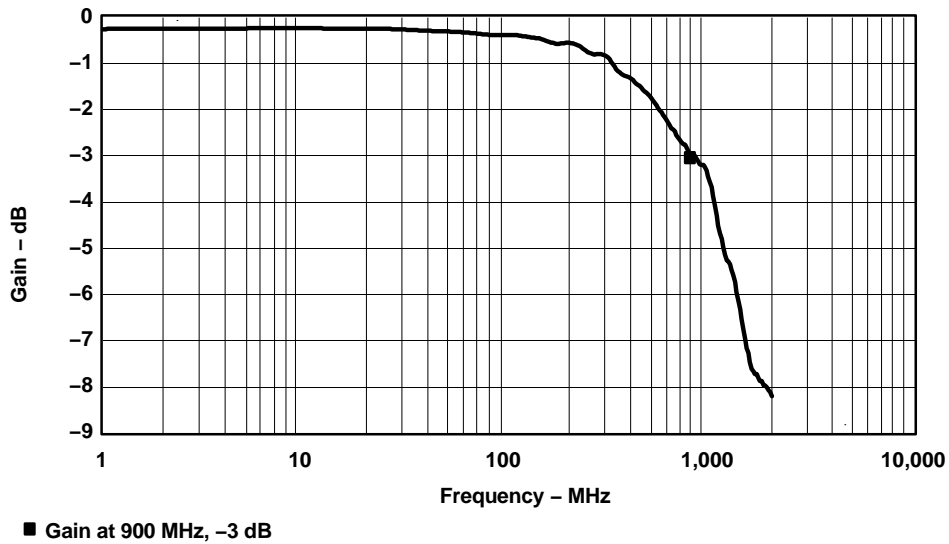


Figure 1. Gain vs Frequency

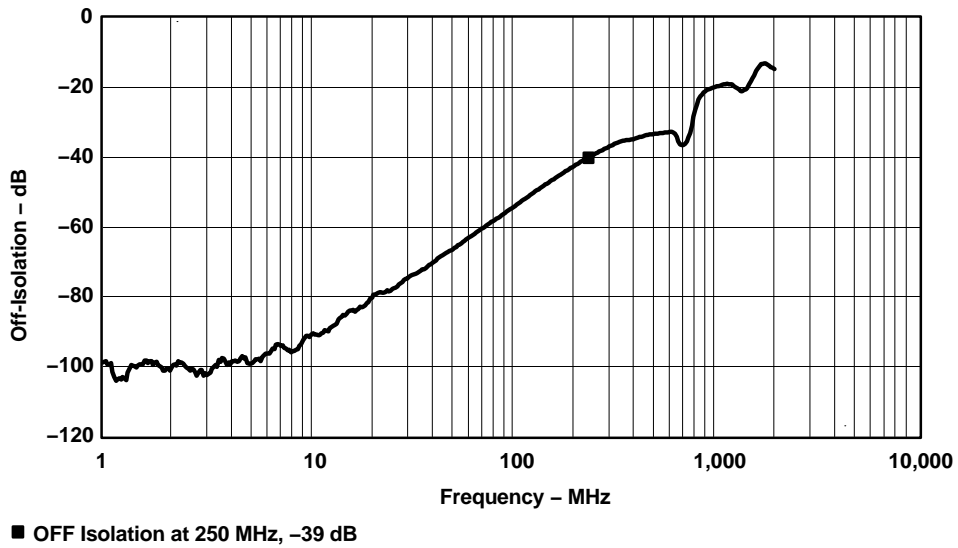


Figure 2. OFF Isolation vs Frequency

OPERATING CHARACTERISTICS (continued)

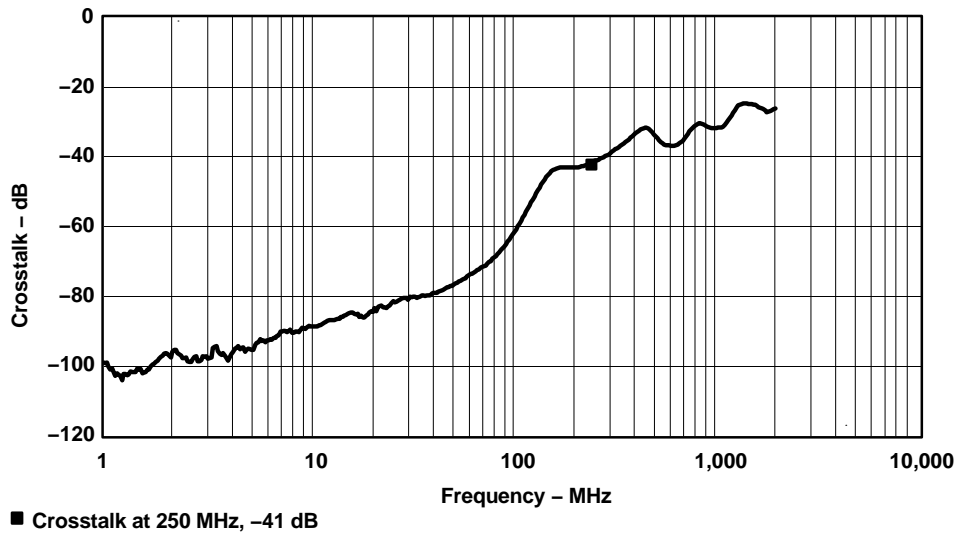
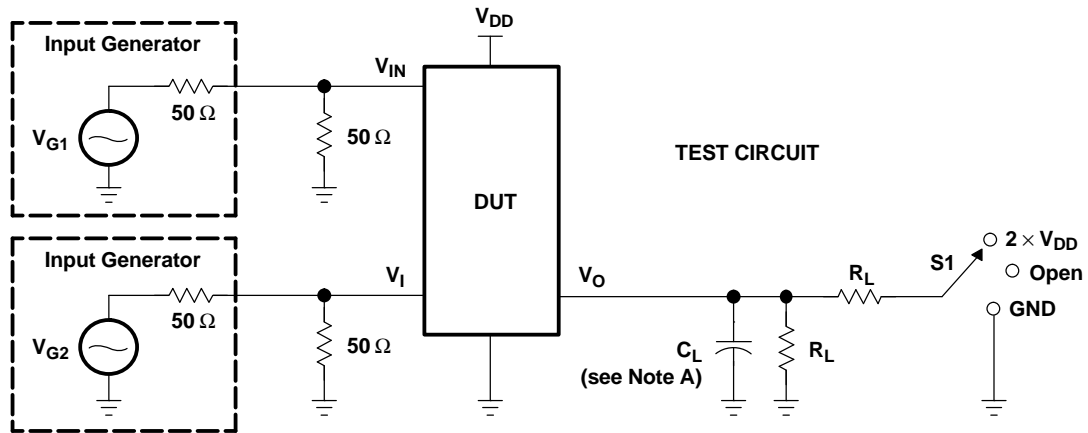
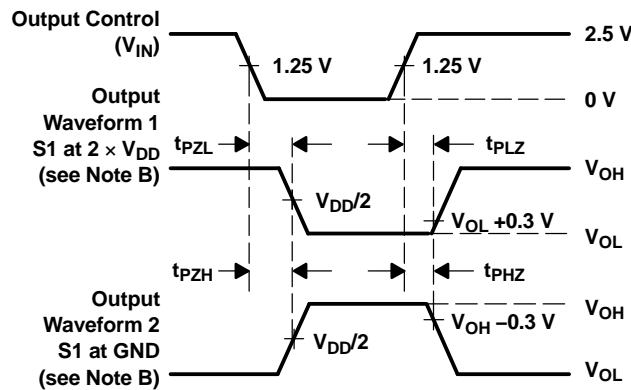


Figure 3. Crosstalk vs Frequency

PARAMETER MEASUREMENT INFORMATION
(Enable and Disable Times)



| TEST | V _{DD} | S1 | R _L | V _I | C _L | V _Δ |
|------------------------------------|-----------------|---------------------|----------------|-----------------|----------------|----------------|
| t _{PLZ} /t _{PZL} | 3.3 V ± 0.3 V | 2 × V _{DD} | 200 Ω | GND | 10 pF | 0.3 V |
| t _{PHZ} /t _{PZH} | 3.3 V ± 0.3 V | GND | 200 Ω | V _{DD} | 10 pF | 0.3 V |

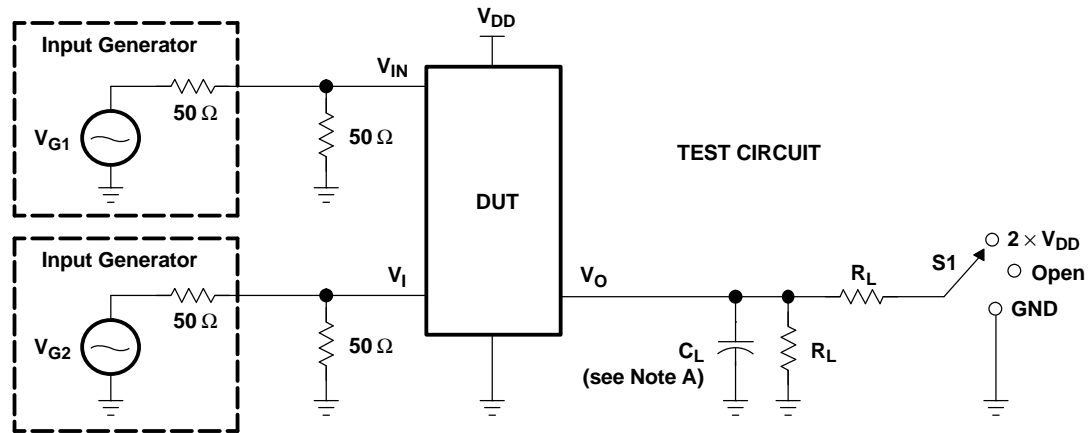


VOLTAGE WAVEFORMS
ENABLE AND DISABLE TIMES

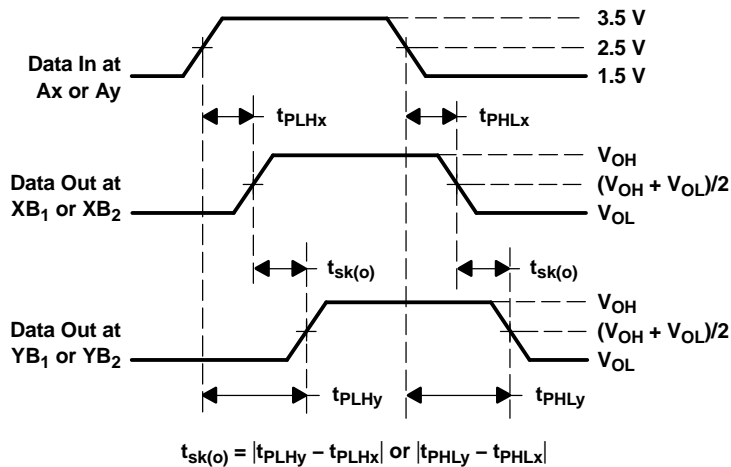
- NOTES: A. C_L includes probe and jig capacitance.
B. Waveform 1 is for an output with internal conditions such that the output is low, except when disabled by the output control. Waveform 2 is for an output with internal conditions such that the output is high, except when disabled by the output control.
C. All input pulses are supplied by generators having the following characteristics: PRR ≤ 10 MHz, Z_O = 50 Ω, t_r ≤ 2.5 ns, t_f ≤ 2.5 ns.
D. The outputs are measured one at a time, with one transition per measurement.
E. t_{PLZ} and t_{PHZ} are the same as t_{dis}.
F. t_{PZL} and t_{PZH} are the same as t_{en}.

Figure 4. Test Circuit and Voltage Waveforms

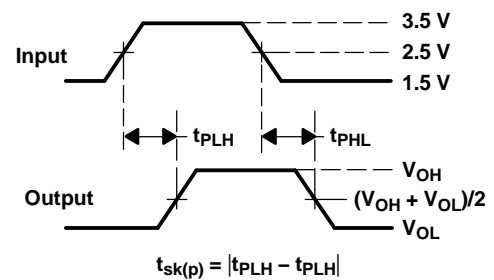
PARAMETER MEASUREMENT INFORMATION
(Skew)



| TEST | V _{DD} | S1 | R _L | V _I | C _L |
|--------------------|-----------------|------|----------------|------------------------|----------------|
| t _{sk(o)} | 3.3 V ± 0.3 V | Open | 200 Ω | V _{DD} or GND | 10 pF |
| t _{sk(p)} | 3.3 V ± 0.3 V | Open | 200 Ω | V _{DD} or GND | 10 pF |



VOLTAGE WAVEFORMS
OUTPUT SKEW [t_{sk(o)}]

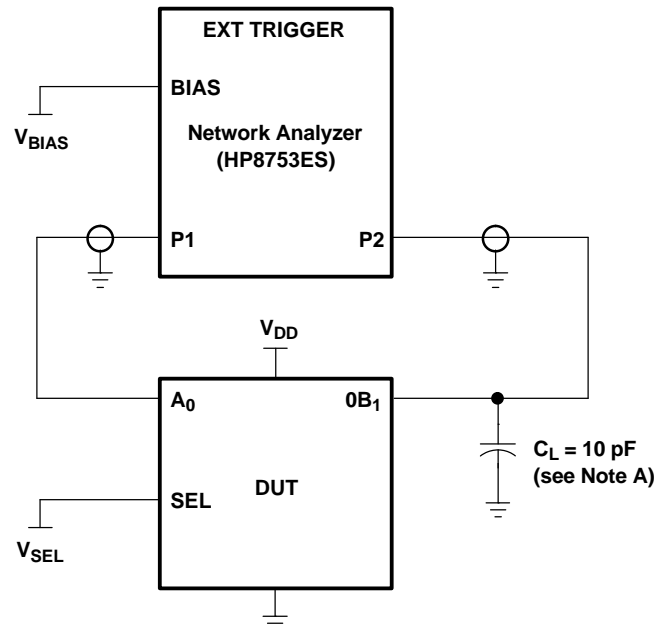


VOLTAGE WAVEFORMS
PULSE SKEW [t_{sk(p)}]

- NOTES: A. C_L includes probe and jig capacitance.
 B. Waveform 1 is for an output with internal conditions such that the output is low, except when disabled by the output control. Waveform 2 is for an output with internal conditions such that the output is high, except when disabled by the output control.
 C. All input pulses are supplied by generators having the following characteristics: PRR ≤ 10 MHz, Z_O = 50 Ω, t_r ≤ 2.5 ns, t_f ≤ 2.5 ns.
 D. The outputs are measured one at a time, with one transition per measurement.

Figure 5. Test Circuit and Voltage Waveforms

PARAMETER MEASUREMENT INFORMATION



A. C_L includes probe and jig capacitance.

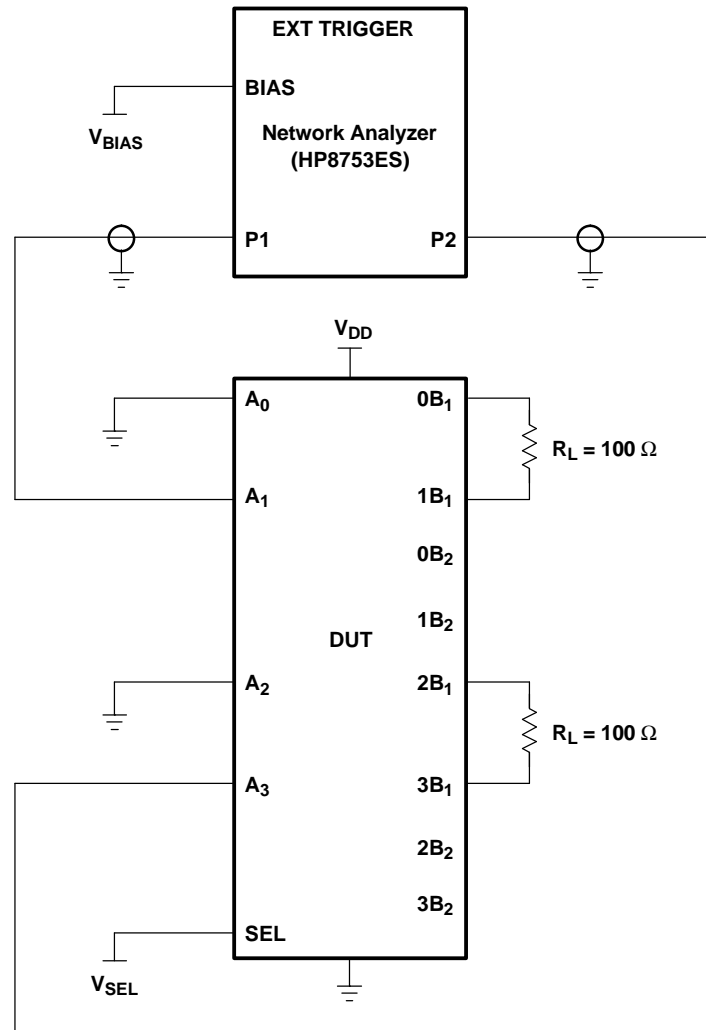
Figure 6. Test Circuit for Frequency Response (BW)

Frequency response is measured at the output of the ON channel. For example, when $V_{SEL} = 0$ and A_0 is the input, the output is measured at $0B_1$. All unused analog I/O ports are left open.

HP8753ES Setup

Average = 4
RBW = 3 kHz
 $V_{BIAS} = 0.35$ V
ST = 2 s
P1 = 0 dBm

PARAMETER MEASUREMENT INFORMATION (continued)



- A. C_L includes probe and jig capacitance.
- B. A 50- Ω termination resistor is needed to match the loading of the network analyzer.

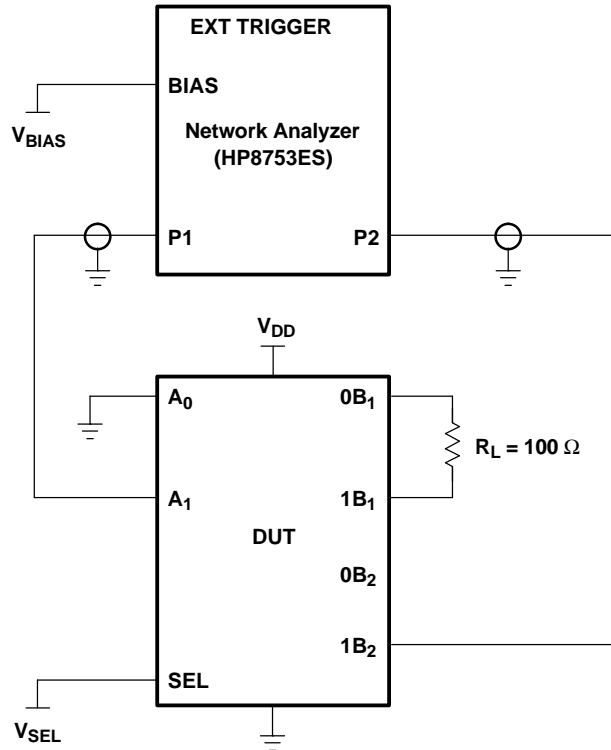
Figure 7. Test Circuit for Crosstalk (X_{TALK})

Crosstalk is measured at the output of the nonadjacent ON channel. For example, when $V_{SEL} = 0$ and A_1 is the input, the output is measured at A_3 . All unused analog input (A) ports are connected to GND, and output (B) ports are left open.

HP8753ES Setup

Average = 4
 RBW = 3 kHz
 $V_{BIAS} = 0.35$ V
 ST = 2 s
 P1 = 0 dBm

PARAMETER MEASUREMENT INFORMATION (continued)



- A. C_L includes probe and jig capacitance.
- B. A 50- Ω termination resistor is needed to match the loading of the network analyzer.

Figure 8. Test Circuit for Off Isolation (O_{IRR})

OFF isolation is measured at the output of the OFF channel. For example, when $V_{SEL} = GND$ and A_1 is the input, the output is measured at $1B_2$. All unused analog input (A) ports are connected to ground, and output (B) ports are left open.

HP8753ES Setup

Average = 4
RBW = 3 kHz
 $V_{BIAS} = 0.35$ V
ST = 2 s
P1 = 0 dBm

PACKAGING INFORMATION

| Orderable Device | Status (1) | Package Type | Package Drawing | Pins | Package Qty | Eco Plan (2) | Lead finish/ Ball material (6) | MSL Peak Temp (3) | Op Temp (°C) | Device Marking (4/5) | Samples |
|------------------|---------------|--------------|-----------------|------|-------------|-----------------|--------------------------------------|----------------------|--------------|-------------------------|-------------------------|
| TS3L301DGG | ACTIVE | TSSOP | DGG | 48 | 40 | RoHS & Green | NIPDAU | Level-1-260C-UNLIM | -40 to 85 | TS3L301 | Samples |
| TS3L301DGGR | ACTIVE | TSSOP | DGG | 48 | 2000 | RoHS & Green | NIPDAU | Level-1-260C-UNLIM | -40 to 85 | TS3L301 | Samples |
| TS3L301DGGRE4 | ACTIVE | TSSOP | DGG | 48 | 2000 | TBD | Call TI | Call TI | -40 to 85 | | Samples |
| TS3L301DGGRG4 | ACTIVE | TSSOP | DGG | 48 | 2000 | TBD | Call TI | Call TI | -40 to 85 | | Samples |
| TS3L301DGVR | ACTIVE | TVSOP | DGV | 48 | 2000 | RoHS & Green | NIPDAU | Level-1-260C-UNLIM | -40 to 85 | TK301 | Samples |

(1) The marketing status values are defined as follows:

ACTIVE: Product device recommended for new designs.

LIFEBUY: TI has announced that the device will be discontinued, and a lifetime-buy period is in effect.

NRND: Not recommended for new designs. Device is in production to support existing customers, but TI does not recommend using this part in a new design.

PREVIEW: Device has been announced but is not in production. Samples may or may not be available.

OBsolete: TI has discontinued the production of the device.

(2) **RoHS:** TI defines "RoHS" to mean semiconductor products that are compliant with the current EU RoHS requirements for all 10 RoHS substances, including the requirement that RoHS substance do not exceed 0.1% by weight in homogeneous materials. Where designed to be soldered at high temperatures, "RoHS" products are suitable for use in specified lead-free processes. TI may reference these types of products as "Pb-Free".

RoHS Exempt: TI defines "RoHS Exempt" to mean products that contain lead but are compliant with EU RoHS pursuant to a specific EU RoHS exemption.

Green: TI defines "Green" to mean the content of Chlorine (Cl) and Bromine (Br) based flame retardants meet JS709B low halogen requirements of <=1000ppm threshold. Antimony trioxide based flame retardants must also meet the <=1000ppm threshold requirement.

(3) MSL, Peak Temp. - The Moisture Sensitivity Level rating according to the JEDEC industry standard classifications, and peak solder temperature.

(4) There may be additional marking, which relates to the logo, the lot trace code information, or the environmental category on the device.

(5) Multiple Device Markings will be inside parentheses. Only one Device Marking contained in parentheses and separated by a "~" will appear on a device. If a line is indented then it is a continuation of the previous line and the two combined represent the entire Device Marking for that device.

(6) Lead finish/Ball material - Orderable Devices may have multiple material finish options. Finish options are separated by a vertical ruled line. Lead finish/Ball material values may wrap to two lines if the finish value exceeds the maximum column width.

Important Information and Disclaimer: The information provided on this page represents TI's knowledge and belief as of the date that it is provided. TI bases its knowledge and belief on information provided by third parties, and makes no representation or warranty as to the accuracy of such information. Efforts are underway to better integrate information from third parties. TI has taken and continues to take reasonable steps to provide representative and accurate information but may not have conducted destructive testing or chemical analysis on incoming materials and chemicals. TI and TI suppliers consider certain information to be proprietary, and thus CAS numbers and other limited information may not be available for release.

In no event shall TI's liability arising out of such information exceed the total purchase price of the TI part(s) at issue in this document sold by TI to Customer on an annual basis.

TAPE AND REEL INFORMATION

QUADRANT ASSIGNMENTS FOR PIN 1 ORIENTATION IN TAPE


*All dimensions are nominal

| Device | Package Type | Package Drawing | Pins | SPQ | Reel Diameter (mm) | Reel Width W1 (mm) | A0 (mm) | B0 (mm) | K0 (mm) | P1 (mm) | W (mm) | Pin1 Quadrant |
|-------------|--------------|-----------------|------|------|--------------------|--------------------|---------|---------|---------|---------|--------|---------------|
| TS3L301DGGR | TSSOP | DGG | 48 | 2000 | 330.0 | 24.4 | 8.6 | 13.0 | 1.8 | 12.0 | 24.0 | Q1 |
| TS3L301DGVR | TVSOP | DGV | 48 | 2000 | 330.0 | 16.4 | 7.1 | 10.2 | 1.6 | 12.0 | 16.0 | Q1 |

TAPE AND REEL BOX DIMENSIONS



*All dimensions are nominal

| Device | Package Type | Package Drawing | Pins | SPQ | Length (mm) | Width (mm) | Height (mm) |
|-------------|--------------|-----------------|------|------|-------------|------------|-------------|
| TS3L301DGGR | TSSOP | DGG | 48 | 2000 | 367.0 | 367.0 | 45.0 |
| TS3L301DGVR | TVSOP | DGV | 48 | 2000 | 356.0 | 356.0 | 35.0 |

TUBE


*All dimensions are nominal

| Device | Package Name | Package Type | Pins | SPQ | L (mm) | W (mm) | T (μm) | B (mm) |
|------------|--------------|--------------|------|-----|--------|--------|--------|--------|
| TS3L301DGG | DGG | TSSOP | 48 | 40 | 530 | 11.89 | 3600 | 4.9 |

DGV (R-PDSO-G**)

PLASTIC SMALL-OUTLINE

24 PINS SHOWN



4073251/E 08/00

- NOTES: A. All linear dimensions are in millimeters.
 B. This drawing is subject to change without notice.
 C. Body dimensions do not include mold flash or protrusion, not to exceed 0,15 per side.
 D. Falls within JEDEC: 24/48 Pins – MO-153
 14/16/20/56 Pins – MO-194

EXAMPLE BOARD LAYOUT

DGG0048A

TSSOP - 1.2 mm max height

SMALL OUTLINE PACKAGE



LAND PATTERN EXAMPLE
SCALE:6X



SOLDER MASK DETAILS

4214859/B 11/2020

NOTES: (continued)

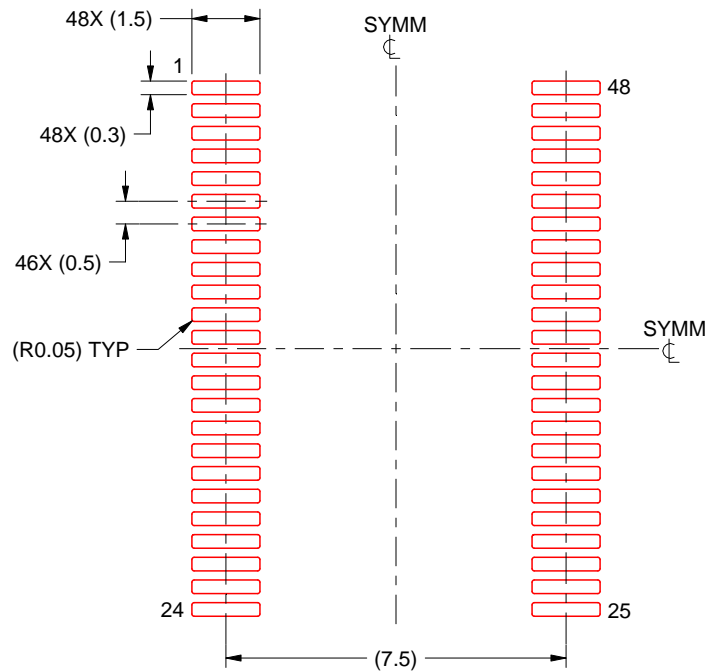
5. Publication IPC-7351 may have alternate designs.
6. Solder mask tolerances between and around signal pads can vary based on board fabrication site.

EXAMPLE STENCIL DESIGN

DGG0048A

TSSOP - 1.2 mm max height

SMALL OUTLINE PACKAGE



SOLDER PASTE EXAMPLE
BASED ON 0.125 mm THICK STENCIL
SCALE:6X

4214859/B 11/2020

NOTES: (continued)

7. Laser cutting apertures with trapezoidal walls and rounded corners may offer better paste release. IPC-7525 may have alternate design recommendations.
8. Board assembly site may have different recommendations for stencil design.

DGG (R-PDSO-G**)

PLASTIC SMALL-OUTLINE PACKAGE

48 PINS SHOWN



- NOTES:
- A. All linear dimensions are in millimeters.
 - B. This drawing is subject to change without notice.
 - C. Body dimensions do not include mold protrusion not to exceed 0,15.
 - D. Falls within JEDEC MO-153

IMPORTANT NOTICE AND DISCLAIMER

TI PROVIDES TECHNICAL AND RELIABILITY DATA (INCLUDING DATA SHEETS), DESIGN RESOURCES (INCLUDING REFERENCE DESIGNS), APPLICATION OR OTHER DESIGN ADVICE, WEB TOOLS, SAFETY INFORMATION, AND OTHER RESOURCES "AS IS" AND WITH ALL FAULTS, AND DISCLAIMS ALL WARRANTIES, EXPRESS AND IMPLIED, INCLUDING WITHOUT LIMITATION ANY IMPLIED WARRANTIES OF MERCHANTABILITY, FITNESS FOR A PARTICULAR PURPOSE OR NON-INFRINGEMENT OF THIRD PARTY INTELLECTUAL PROPERTY RIGHTS.

These resources are intended for skilled developers designing with TI products. You are solely responsible for (1) selecting the appropriate TI products for your application, (2) designing, validating and testing your application, and (3) ensuring your application meets applicable standards, and any other safety, security, regulatory or other requirements.

These resources are subject to change without notice. TI grants you permission to use these resources only for development of an application that uses the TI products described in the resource. Other reproduction and display of these resources is prohibited. No license is granted to any other TI intellectual property right or to any third party intellectual property right. TI disclaims responsibility for, and you will fully indemnify TI and its representatives against, any claims, damages, costs, losses, and liabilities arising out of your use of these resources.

TI's products are provided subject to [TI's Terms of Sale](#) or other applicable terms available either on ti.com or provided in conjunction with such TI products. TI's provision of these resources does not expand or otherwise alter TI's applicable warranties or warranty disclaimers for TI products.

TI objects to and rejects any additional or different terms you may have proposed.

Mailing Address: Texas Instruments, Post Office Box 655303, Dallas, Texas 75265
Copyright © 2022, Texas Instruments Incorporated

单击下面可查看定价，库存，交付和生命周期等信息

[>>TI\(德州仪器\)](#)