

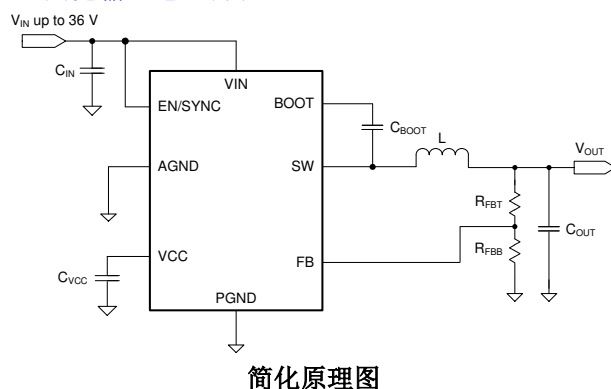
## LMR23625 SIMPLE SWITCHER® 36V、2.5A 同步降压转换器

### 1 特性

- 4V 至 36V 的输入电压范围
- 2.5A 持续输出电流
- 集成同步整流
- 电流模式控制
- 最小导通时间：60ns
- 带 PFM 和强制 PWM 模式选项的 2.1MHz 开关频率 (HSOIC)
- 仅带强制 PWM 模式的 2.1MHz 开关频率 (WSO)
- 与外部时钟频率同步
- 内置补偿功能，便于使用
- 无负载条件下的静态电流为 75 $\mu$ A
- 软启动至预偏置负载
- 支持高占空比运行模式
- 精密使能输入
- 具有断续模式的输出短路保护
- 过热保护
- 带 PowerPAD™ 的 8 引脚 HSOIC 封装
- 带 PowerPAD™ 的 12 引脚 WSO 可湿性侧面封装
- 使用 LMZM33603 模块缩短产品上市时间
- 使用 LMR23625 并借助 WEBENCH® 电源设计器创建定制设计方案

### 2 应用

- 工厂和楼宇自动化系统：PLC CPU、HVAC 控制、电梯控制
- 用于机群管理、智能电网和安防应用的 GSM 和 GPRS 模块
- 通用宽输入电压调节



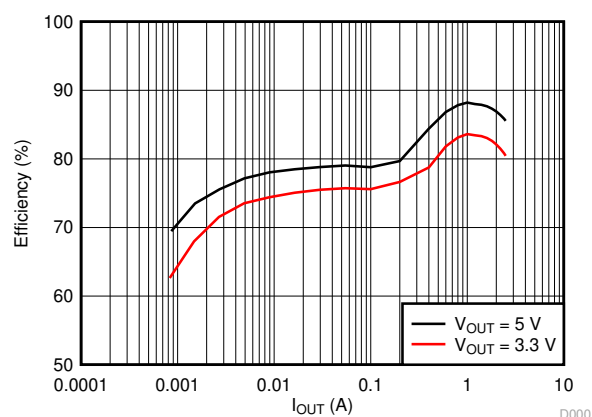
### 3 说明

LMR23625 SIMPLE SWITCHER® 是一款易于使用的 36V、2.5A 同步降压稳压器。该器件具有 4V-36V 的宽输入范围，适用于从非稳压源进行电源调节的各种工业应用。采用峰值电流模式控制来实现简单控制环路补偿和逐周期电流限制。它采用 75  $\mu$ A 的静态电流，因此适用于电池供电系统。该器件具有 2  $\mu$ A 的超低关断电流，可进一步延长电池使用寿命。内部环路补偿意味着用户不用承担设计环路补偿组件的枯燥工作。这样还能够最大限度地减少外部元件数。该器件可选用固定频率 FPWM 模式，在轻负载情况下实现小输出电压纹波。HSOIC 的扩展系列产品能够以引脚到引脚兼容封装提供 1A (LMR23610) 和 3A (LMR23630) 负载电流选项，实现简单且优化的 PCB 布局。利用精密使能端输入可以简化稳压器控制和系统电源时序。保护特性包括逐周期电流限制、间断模式短路保护和过多功率耗散而引起的热关断。

#### 器件信息

| 器件型号 (1) | 封装        | 封装尺寸 (标称值)      |
|----------|-----------|-----------------|
| LMR23625 | HSOIC (8) | 4.89mm × 3.90mm |
|          | WSO (12)  | 3.00mm × 3.00mm |

(1) 如需了解所有可用封装，请参阅数据表末尾的可订购产品附录。



## Table of Contents

|  |    |  |    |
|--|----|--|----|
| <b>1 特性</b> .....                              | 1  | <b>8 Application and Implementation</b> .....                    | 19 |
| <b>2 应用</b> .....                              | 1  | 8.1 Application Information.....                                 | 19 |
| <b>3 说明</b> .....                              | 1  | 8.2 Typical Applications.....                                    | 19 |
| <b>4 Revision History</b> .....                | 2  | <b>9 Power Supply Recommendations</b> .....                      | 26 |
| <b>5 Pin Configuration and Functions</b> ..... | 4  | <b>10 Layout</b> .....   | 26 |
| Pin Functions.....                             | 4  | 10.1 Layout Guidelines.....                                      | 26 |
| <b>6 Specifications</b> .....                  | 5  | 10.2 Layout Example.....   | 27 |
| 6.1 Absolute Maximum Ratings.....              | 5  | 10.3 Compact Layout for EMI Reduction.....                       | 28 |
| 6.2 ESD Ratings.....                           | 5  | 10.4 Ground Plane and Thermal Considerations.....                | 28 |
| 6.3 Recommended Operating Conditions.....      | 5  | 10.5 Feedback Resistors.....                                     | 29 |
| 6.4 Thermal Information.....                   | 6  | <b>11 Device and Documentation Support</b> .....                 | 30 |
| 6.5 Electrical Characteristics.....            | 6  | 11.1 Device Support.....   | 30 |
| 6.6 Timing Requirements.....                   | 8  | 11.2 Receiving Notification of Documentation Updates..           | 30 |
| 6.7 Switching Characteristics.....             | 8  | 11.3 Support Resources.....                                      | 30 |
| 6.8 Typical Characteristics.....               | 9  | 11.4 Trademarks.....   | 30 |
| <b>7 Detailed Description</b> .....            | 11 | 11.5 Electrostatic Discharge Caution.....                        | 30 |
| 7.1 Overview.....                              | 11 | 11.6 Glossary.....   | 30 |
| 7.2 Functional Block Diagram.....              | 11 | <b>12 Mechanical, Packaging, and Orderable Information</b> ..... | 30 |
| 7.3 Feature Description.....                   | 11 |  |    |
| 7.4 Device Functional Modes.....               | 18 |  |    |

## 4 Revision History

注：以前版本的页码可能与当前版本的页码不同

### Changes from Revision D (February 2018) to Revision E (July 2020) Page

|   |   |
|---|---|
| • 将 LMZM33603 项目符号添加到了 <i>节 1</i> ..... | 1 |
| • 更新了整个文档中的表格、图表和交叉参考的编号格式.....         | 1 |

### Changes from Revision C (June 2017) to Revision D (February 2018) Page

|  |    |
|--|----|
| • 将 HSOIC 和 WSON 输入范围从 HSOIC 的 4.5V 和 WSON 的 4V 更改为 4V 至 36V.....  | 1  |
| • 在应用中将“可编程逻辑控制器电源”更改为“工厂和楼宇自动化系统...” .....  | 1  |
| • 删除了“多功能打印机和工业电源”并重新编写了 <i>应用</i> .....   | 1  |
| • 将“应用”中的“HVAC 系统”更改为“通用宽输入电压调节” .....   | 1  |
| • Removing RT row on the Pin Functions .....   | 4  |
| • Added "2.2- $\mu$ F, 16-V" for VCC pin bypass capacitor .....  | 4  |
| • Added PGOOD to AGND row on Absolute Maximum Ratings .....  | 5  |
| • Consolidating all the common EC table characteristic between HSOIC and WSON, for example Operation Input Voltage, VIN_UVLO, I <sub>EN</sub> and Mimum turn-on time ..... | 6  |
| • Changed Typical Value for VIN_UVLO Rising threshold typical from 3.6-V to 3.7-V .....  | 6  |
| • Removing V <sub>EN</sub> = 0 V, V <sub>IN</sub> = 4.5 V to 36 V, T <sub>J</sub> = -40°C to 125°C (HSOIC) Test Condition.....   | 6  |
| • Changed the operating from "4.5-V" ... to "4-V" in Device Functional Modes .....   | 18 |
| • Changed from V <sub>OUT</sub> = 7 V to 36 V to V <sub>IN</sub> = 7 V to 36 V on <a href="#">图 8-9</a> .....  | 24 |

### Changes from Revision B (April 2017) to Revision C (June 2017) Page

|  |   |
|--|---|
| • 删除了“汽车蓄电池稳压”且重新编写了 <i>应用</i> .....                   | 1 |
| • 在整个数据表中添加了 WSON 封装的详细信息.....                         | 1 |
| • Added <i>Device Comparison Table</i> .....           | 0 |
| • Change EN Abs Max to EN/SYNC Abs Max .....           | 5 |
| • Adding VCCABS Max Table Note .....                   | 5 |
| • Updating ESD Ratings to include HSOIC and WSON ..... | 5 |

|   |    |
|---|----|
| • Adding PGOOD input voltage.....   | 5  |
| • Adding PGOOD pin current .....  | 5  |
| • Corrected denominator of equation 16 from " $(V_{OUT} \times V_{OS})$ " to " $(V_{OUT} + V_{OS})$ " ..... | 21 |
| • clarified equations equation 22 and equation 23.....  | 28 |

---

**Changes from Revision A (July 2016) to Revision B (April 2017) Page**

|  |   |
|--|---|
| • Changed high side current limit to 6.2 from 6.0.....   | 6 |
| • Changed low side current limit to 4.2 from 4.6.....  | 6 |
| • Changed all the four efficiency graphs D001, D002, D003 and D004 in the Typical Characteristics section..... | 9 |

---

备注

NOTE: Page numbers for previous revisions may differ from page numbers in the current version.

---

**Changes from Revision \* (December 2015) to Revision A (July 2016) Page**

|                                      |   |
|--------------------------------------|---|
| • 将“产品预发布”更改为“生产数据”，并添加了所有其余部分。..... | 1 |
|--------------------------------------|---|

---

**Device Comparison Table**

| PACKAGE   | PART NUMBER    | FIXED 2.1 MHz | ADJUSTABLE<br>FREQUENCY<br>RESISTOR | POWER GOOD | FPWM |
|-----------|----------------|---------------|-------------------------------------|------------|------|
| HSOIC (8) | LMR23625CDDA   | yes           | no                                  | no         | no   |
|           | LMR23625CFDDA  | yes           | no                                  | no         | yes  |
| WSON (12) | LMR23625CFPDRR | yes           | no                                  | yes        | yes  |

### 5 Pin Configuration and Functions

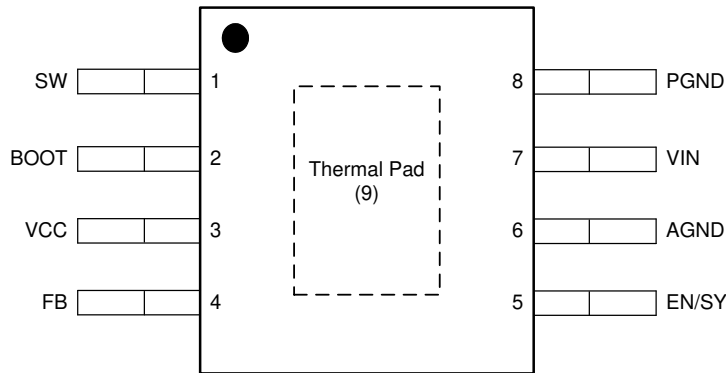


图 5-1. DDA Package 8-Pin HSOIC Top View

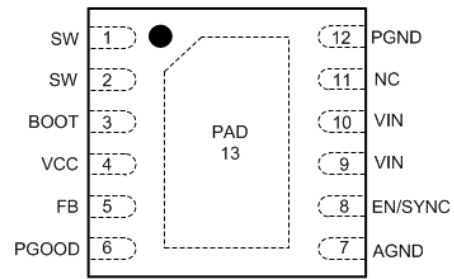


图 5-2. DRR Package 12-Pin WSON With PGOOD and Thermal Pad Top View

### Pin Functions

| PIN   |                 | I/O (1) |     | DESCRIPTION  |
|-------|-----------------|---------|-----|--|
| HSOIC | WSON With PGOOD | NAME    |     |  |
| 1     | 1, 2            | SW      | P   | Switching output of the regulator. Internally connected to both power MOSFETs. Connect to power inductor.  |
| 2     | 3               | BOOT    | P   | Boot-strap capacitor connection for high-side driver. Connect a high-quality 100nF to 470-nF capacitor from BOOT to SW.  |
| 3     | 4               | VCC     | P   | Internal bias supply output for bypassing. Connect 2.2- $\mu$ F, 16-V bypass capacitor from this pin to AGND. Do not connect external loading to this pin. Never short this pin to ground during operation.  |
| 4     | 5               | FB      | A   | Feedback input to regulator, connect the midpoint of feedback resistor divider to this pin.  |
| N/A   | 6               | PGOOD   | A   | Open drain output for power-good flag. Use a 10-k $\Omega$ to 100-k $\Omega$ pullup resistor to logic rail or other DC voltage no higher than 12 V.  |
| 5     | 8               | EN/SYNC | A   | Enable input to regulator. High = On, Low = Off. Can be connected to VIN. Do not float. Adjust the input undervoltage lockout with two resistors. The internal oscillator can be synchronized to an external clock by coupling a positive pulse into this pin through a small coupling capacitor. See <a href="#"># 7.3.3</a> for details. |
| 6     | 7               | AGND    | G   | Analog ground pin. Ground reference for internal references and logic. Connect to system ground.   |
| 7     | 9, 10           | VIN     | P   | Input supply voltage.  |
| 8     | 12              | PGND    | G   | Power ground pin, connected internally to the low side power FET. Connect to system ground, PAD, AGND, ground pins of C <sub>IN</sub> and C <sub>OUT</sub> . Path to C <sub>IN</sub> must be as short as possible.   |
| 9     | 13              | PAD     | G   | Low impedance connection to AGND. Connect to PGND on PCB. Major heat dissipation path of the die. Must be used for heat sinking to ground plane on PCB.  |
| N/A   | 11              | NC      | N/A | Not for use. Leave this pin floating.  |

(1) I = Input, O = Output, G = Ground.

## 6 Specifications

### 6.1 Absolute Maximum Ratings

Over the recommended operating junction temperature range of  $-40^{\circ}\text{C}$  to  $125^{\circ}\text{C}$  (unless otherwise noted)<sup>(1)</sup>

| PARAMETER        |                                       | MIN   | MAX                | UNIT               |
|------------------|---------------------------------------|-------|--------------------|--------------------|
| Input voltages   | VIN to PGND                           | - 0.3 | 42                 | V                  |
|                  | EN/SYNC to AGND                       | - 5.5 | $V_{IN} + 0.3$     |                    |
|                  | FB to AGND                            | - 0.3 | 4.5                |                    |
|                  | PGOOD to AGND                         | -0.3  | 15                 |                    |
|                  | AGND to PGND                          | - 0.3 | 0.3                |                    |
| Output voltages  | SW to PGND                            | - 1   | $V_{IN} + 0.3$     | V                  |
|                  | SW to PGND less than 10-ns transients | - 5   | 42                 |                    |
|                  | BOOT to SW                            | - 0.3 | 5.5                |                    |
|                  | VCC to AGND                           | - 0.3 | 4.5 <sup>(2)</sup> |                    |
| T <sub>J</sub>   | Junction temperature                  | - 40  | 150                | $^{\circ}\text{C}$ |
| T <sub>stg</sub> | Storage temperature                   | - 65  | 150                | $^{\circ}\text{C}$ |

- (1) Stresses beyond those listed under *Absolute Maximum Ratings* may cause permanent damage to the device. These are stress ratings only, which do not imply functional operation of the device at these or any other conditions beyond those indicated under *Recommended Operating Conditions*. Exposure to absolute-maximum-rated conditions for extended periods may affect device reliability.
- (2) In shutdown mode, the VCC to AGND maximum value is 5.25 V.

### 6.2 ESD Ratings

|                    |                         | VALUE  | UNIT       |
|--------------------|-------------------------|--|------------|
| V <sub>(ESD)</sub> | Electrostatic discharge | Human-body model (HBM) for HSOIC <sup>(1)</sup>          | $\pm 2000$ |
|                    |                         | Human-body model (HBM) for WSON with PGOOD               | $\pm 2500$ |
|                    |                         | Charged-device model (CDM) for HSOIC <sup>(2)</sup>      | $\pm 1000$ |
|                    |                         | Charged-device model (CDM) for WSON PGOOD <sup>(2)</sup> | $\pm 750$  |

- (1) JEDEC document JEP155 states that 500-V HBM allows safe manufacturing with a standard ESD control process.
- (2) JEDEC document JEP157 states that 250-V CDM allows safe manufacturing with a standard ESD control process.

### 6.3 Recommended Operating Conditions

Over the recommended operating junction temperature range of  $-40^{\circ}\text{C}$  to  $125^{\circ}\text{C}$  (unless otherwise noted)<sup>(1)</sup>

|                |  | MIN   | MAX | UNIT               |
|----------------|--|-------|-----|--------------------|
| Input voltage  | VIN  | 4     | 36  | V                  |
|                | EN/SYNC  | - 5   | 36  |                    |
|                | FB   | - 0.3 | 1.2 |                    |
|                | PGOOD  | - 0.3 | 12  |                    |
| Input current  | PGOOD pin current                              | 0     | 1   | mA                 |
| Output voltage | V <sub>OUT</sub>                               | 1     | 28  | V                  |
| Output current | I <sub>OUT</sub>                               | 0     | 2.5 | A                  |
| Temperature    | Operating junction temperature, T <sub>J</sub> | - 40  | 125 | $^{\circ}\text{C}$ |

- (1) Recommended Operating Ratings indicate conditions for which the device is intended to be functional, but do not ensure specific performance limits. For ensured specifications, see [# 6.5](#).

## 6.4 Thermal Information

| THERMAL METRIC <sup>(1) (2)</sup> |  | DDA (8 PINS) | DRR (12 PINS) | UNIT |
|-----------------------------------|--|--------------|---------------|------|
| $R_{\theta JA}$                   | Junction-to-ambient thermal resistance       | 42.0         | 41.5          | °C/W |
| $\psi_{JT}$                       | Junction-to-top characterization parameter   | 5.9          | 0.3           | °C/W |
| $\psi_{JB}$                       | Junction-to-board characterization parameter | 23.4         | 16.5          | °C/W |
| $R_{\theta JC(top)}$              | Junction-to-case (top) thermal resistance    | 45.8         | 39.1          | °C/W |
| $R_{\theta JC(bot)}$              | Junction-to-case (bottom) thermal resistance | 3.6          | 3.4           | °C/W |
| $R_{\theta JB}$                   | Junction-to-board thermal resistance         | 23.4         | 16.3          | °C/W |

- For more information about traditional and new thermal metrics, see the [Semiconductor and IC Package Thermal Metrics](#) application report.
- Determine power rating at a specific ambient temperature  $T_A$  with a maximum junction temperature ( $T_J$ ) of 125°C (see [# 6.3](#)).

## 6.5 Electrical Characteristics

Limits apply over the recommended operating junction temperature ( $T_J$ ) range of -40°C to +125°C, unless otherwise stated. Minimum and Maximum limits are specified through test, design or statistical correlation. Typical values represent the most likely parametric norm at  $T_J = 25^\circ\text{C}$ , and are provided for reference purposes only.

| PARAMETER                         | TEST CONDITIONS                             | MIN  | TYP  | MAX   | UNIT |               |   |
|-----------------------------------|---|--|------|-------|------|---------------|---|
| <b>POWER SUPPLY (VIN PIN)</b>     |   |  |      |       |      |               |   |
| $V_{IN}$                          | Operation input voltage                     | 4  |      | 36    | V    |               |   |
| $V_{IN\_UVLO}$                    | Undervoltage lockout thresholds             | Rising threshold   | 3.3  | 3.7   | 3.9  | V             |   |
|                                   |   | Falling threshold  | 2.9  | 3.3   | 3.5  | V             |   |
| $I_{SHDN}$                        | Shutdown supply current                     | $V_{EN} = 0\text{ V}, V_{IN} = 12\text{ V}, T_J = -40^\circ\text{C to }125^\circ\text{C}$                    |      | 2     | 4    | $\mu\text{A}$ |   |
| $I_Q$                             | Operating quiescent current (non-switching) | $V_{IN} = 12\text{ V}, V_{FB} = 1.1\text{ V}, T_J = -40^\circ\text{C to }125^\circ\text{C}, \text{PFM mode}$ |      | 75    |      | $\mu\text{A}$ |   |
| <b>ENABLE (EN/SYNC PIN)</b>       |   |  |      |       |      |               |   |
| $V_{EN\_H}$                       | Enable rising threshold Voltage             | 1.4  | 1.55 | 1.7   | V    |               |   |
| $V_{EN\_HYS}$                     | Enable hysteresis voltage                   |  | 0.4  |       | V    |               |   |
| $V_{WAKE}$                        | Wake-up threshold                           | 0.4  |      |       | V    |               |   |
| $I_{EN}$                          | Input leakage current at EN pin             | $V_{IN} = 4\text{ V to }36\text{ V}, V_{EN} = 2\text{ V}$  |      | 10    | 100  | nA            |   |
|                                   |   | $V_{IN} = 4\text{ V to }36\text{ V}, V_{EN} = 36\text{ V}$   |      |       | 1    | $\mu\text{A}$ |   |
| <b>VOLTAGE REFERENCE (FB PIN)</b> |   |  |      |       |      |               |   |
| $V_{REF}$                         | Reference voltage                           | $V_{IN} = 4\text{ V to }36\text{ V}, T_J = 25^\circ\text{C}$   |      | 0.985 | 1    | 1.015         | V |
|                                   |   | $V_{IN} = 4\text{ V to }36\text{ V}, T_J = -40^\circ\text{C to }125^\circ\text{C}$                           |      | 0.98  | 1    | 1.02          |   |
| $I_{LKG\_FB}$                     | Input leakage current at FB pin             | $V_{FB} = 1\text{ V}$  |      | 10    |      | nA            |   |

Limits apply over the recommended operating junction temperature ( $T_J$ ) range of  $-40^{\circ}\text{C}$  to  $+125^{\circ}\text{C}$ , unless otherwise stated. Minimum and Maximum limits are specified through test, design or statistical correlation. Typical values represent the most likely parametric norm at  $T_J = 25^{\circ}\text{C}$ , and are provided for reference purposes only.

| PARAMETER                     |   | TEST CONDITIONS  | MIN  | TYP   | MAX   | UNIT               |
|-------------------------------|---|--|------|-------|-------|--------------------|
| <b>POWER GOOD (PGOOD PIN)</b> |   |  |      |       |       |                    |
| $V_{PG\_OV}$                  | Power-good flag overvoltage tripping threshold  | % of reference voltage   | 104% | 107%  | 110%  |                    |
| $V_{PG\_UV}$                  | Power-good flag undervoltage tripping threshold | % of reference voltage   | 92%  | 94%   | 96.5% |                    |
| $V_{PG\_HY\ S}$               | Power-good flag recovery hysteresis             | % of reference voltage   |      | 1.5%  |       |                    |
| $V_{IN\_PG\_MIN}$             | Minimum $V_{IN}$ for valid PGOOD output         |  |      |       | 1.5   |                    |
| $V_{PG\_LOW}$                 | PGOOD low level output voltage                  |  |      |       | 0.4   |                    |
|                               |   |  |      |       | 0.4   |                    |
| <b>INTERNAL LDO (VCC PIN)</b> |   |  |      |       |       |                    |
| $V_{CC}$                      | Internal LDO output voltage                     |  |      | 4.1   |       | V                  |
| $V_{CC\_UVLO}$                | VCC undervoltage lockout thresholds             | Rising threshold   | 2.8  | 3.2   | 3.6   | V                  |
|                               |   | Falling threshold  | 2.4  | 2.8   | 3.2   |                    |
| <b>CURRENT LIMIT</b>          |   |  |      |       |       |                    |
| $I_{HS\_LIMIT}$               | Peak inductor current limit                     | HSOIC package  | 3.6  | 4.8   | 6.2   | A                  |
|                               |   | WSON package   | 4.0  | 5.5   | 6.6   |                    |
| $I_{LS\_LIMIT}$               | Valley inductor current limit                   | HSOIC package  | 2.8  | 3.5   | 4.6   | A                  |
|                               |   | WSON package   | 2.9  | 3.6   | 4.2   |                    |
| $I_{L\_ZC}$                   | Zero cross current limit                        | HSOIC and WSON packages  |      | -0.04 |       | A                  |
| $I_{L\_NEG}$                  | Negative current limit (FPWM Option)            | HSOIC and WSON packages  | -2.7 | -2    | -1.3  | A                  |
| <b>INTEGRATED MOSFETS</b>     |   |  |      |       |       |                    |
| $R_{DS\_ON\_HS}$              | High-side MOSFET ON-resistance                  | HSOIC package, $V_{IN} = 12\text{ V}$ , $I_{OUT} = 1\text{ A}$ |      | 185   |       | m $\Omega$         |
|                               |   | WSON package, $V_{IN} = 12\text{ V}$ , $I_{OUT} = 1\text{ A}$  |      | 160   |       |                    |
| $R_{DS\_ON\_LS}$              | Low-side MOSFET ON-resistance                   | HSOIC package, $V_{IN} = 12\text{ V}$ , $I_{OUT} = 1\text{ A}$ |      | 105   |       | m $\Omega$         |
|                               |   | WSON package, $V_{IN} = 12\text{ V}$ , $I_{OUT} = 1\text{ A}$  |      | 95    |       |                    |
| <b>THERMAL SHUTDOWN</b>       |   |  |      |       |       |                    |
| $T_{SHDN}$                    | Thermal shutdown threshold                      |  | 162  | 170   | 178   | $^{\circ}\text{C}$ |
| $T_{HYS}$                     | Hysteresis                                      |  |      | 15    |       | $^{\circ}\text{C}$ |

## 6.6 Timing Requirements

Over the recommended operating junction temperature range of  $-40^{\circ}\text{C}$  to  $+125^{\circ}\text{C}$  (unless otherwise noted)

|                                |  | MIN   | NOM | MAX | UNIT          |
|--------------------------------|--|---|-----|-----|---------------|
| <b>HICCUP MODE</b>             |  |   |     |     |               |
| $N_{\text{OC}}$ <sup>(1)</sup> | Number of cycles that LS current limit is tripped to enter hiccup mode |   | 64  |     | Cycles        |
| $T_{\text{OC}}$                | Hiccup retry delay time  | HSOIC package   | 5   |     | ms            |
|                                |  | WSON package  | 10  |     |               |
| <b>SOFT START</b>              |  |   |     |     |               |
| $T_{\text{SS}}$                | Internal soft-start time   | HSOIC package, the time of internal reference to increase from 0 V to 1 V | 2   |     | ms            |
|                                |  | WSON package, the time of internal reference to increase from 0 V to 1 V  | 6   |     | ms            |
| <b>POWER GOOD</b>              |  |   |     |     |               |
| $T_{\text{PGOOD\_RISE}}$       | Power-good flag rising transition deglitch delay                       |   | 150 |     | $\mu\text{s}$ |
| $T_{\text{PGOOD\_FALL}}$       | Power-good flag falling transition deglitch delay                      |   | 18  |     | $\mu\text{s}$ |

(1) Ensured by design.

## 6.7 Switching Characteristics

Over the recommended operating junction temperature range of  $-40^{\circ}\text{C}$  to  $+125^{\circ}\text{C}$  (unless otherwise noted)

| PARAMETER                            |  | MIN  | TYP  | MAX  | UNIT |
|--------------------------------------|--|------|------|------|------|
| <b>SW (SW PIN)</b>                   |  |      |      |      |      |
| $f_{\text{SW}}$                      | Default switching frequency                              | 1785 | 2100 | 2415 | kHz  |
| $T_{\text{ON\_MIN}}$                 | Minimum turnon time                                      |      | 60   | 90   | ns   |
|                                      | WSON package   |      |      |      |      |
| $T_{\text{OFF\_MIN}}$ <sup>(1)</sup> | Minimum turnoff time                                     |      | 100  |      | ns   |
| <b>SYNC (EN/SYNC PIN)</b>            |  |      |      |      |      |
| $f_{\text{SYNC}}$                    | SYNC frequency range                                     | 200  |      | 2200 | kHz  |
| $V_{\text{SYNC}}$                    | Amplitude of SYNC clock AC signal (measured at SYNC pin) | 2.8  |      | 5.5  | V    |
| $T_{\text{SYNC\_MIN}}$               | Minimum sync clock ON and OFF time                       |      | 100  |      | ns   |

(1) Specified by design.



## 6.8 Typical Characteristics

Unless otherwise specified the following conditions apply:  $V_{IN} = 12\text{ V}$ ,  $f_{SW} = 2100\text{ kHz}$ ,  $L = 2.2\text{ }\mu\text{H}$ ,  $C_{OUT} = 47\text{ }\mu\text{F}$ ,  $T_A = 25\text{ }^\circ\text{C}$ .

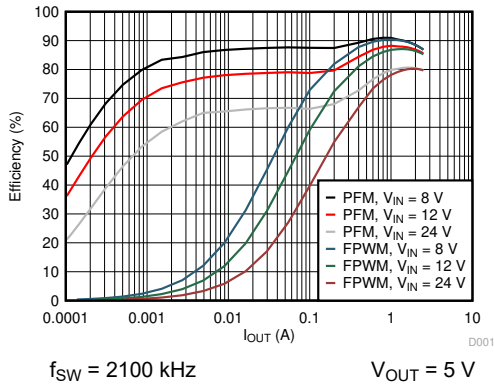


图 6-1. Efficiency vs Load Current

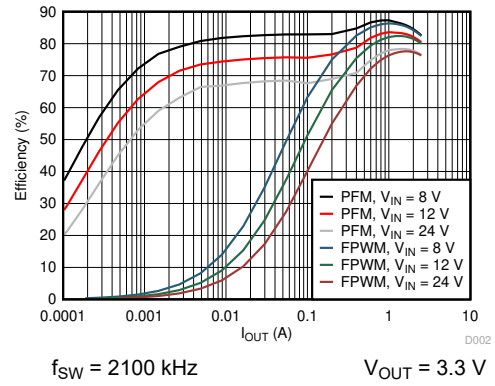


图 6-2. Efficiency vs Load Current

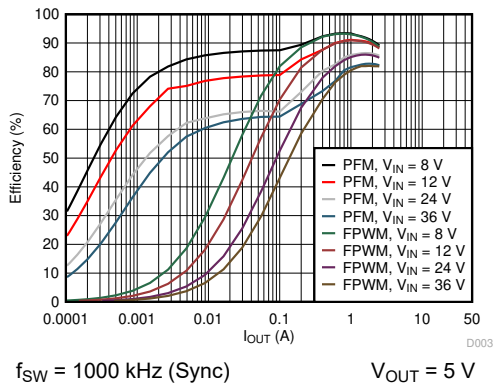


图 6-3. Efficiency vs Load Current

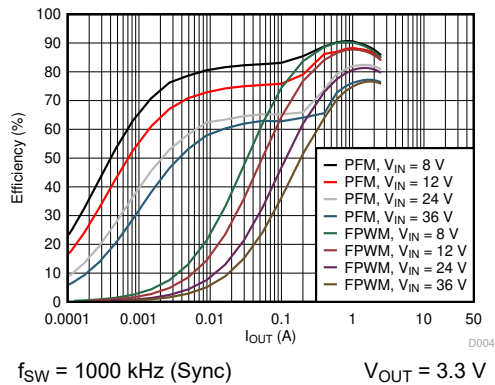


图 6-4. Efficiency vs Load Current

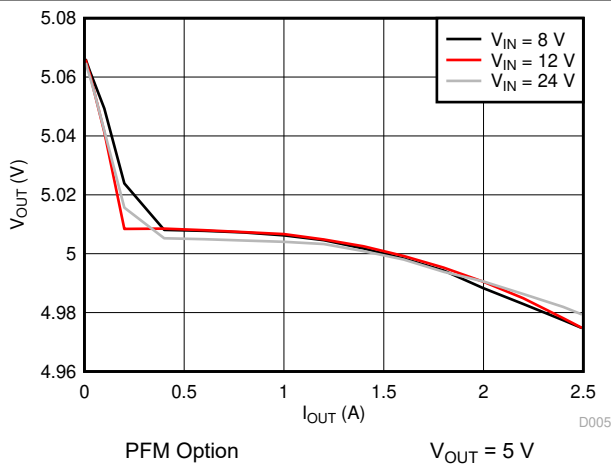


图 6-5. Load Regulation

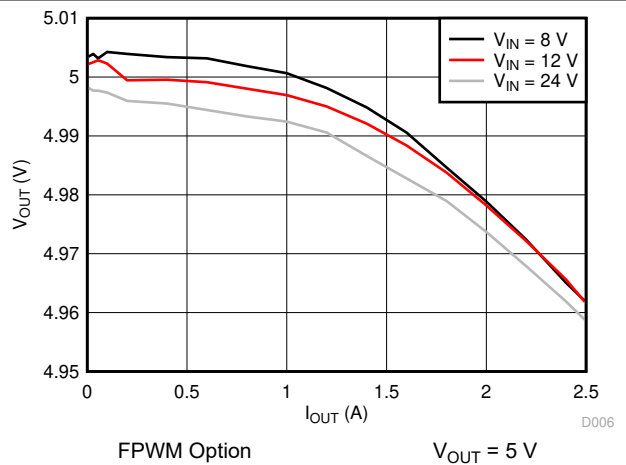


图 6-6. Load Regulation

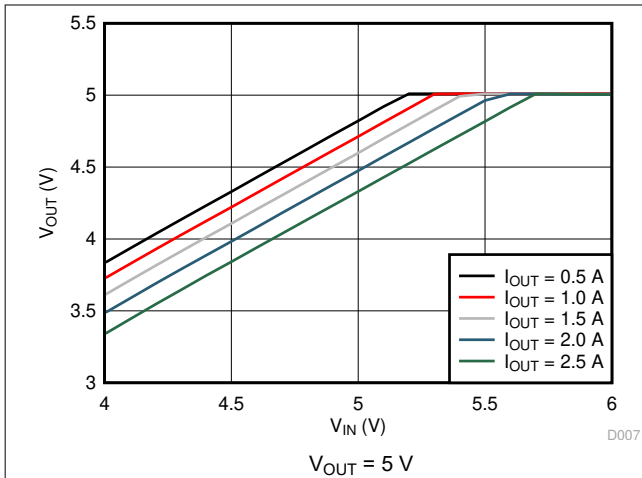


图 6-7. Dropout Curve

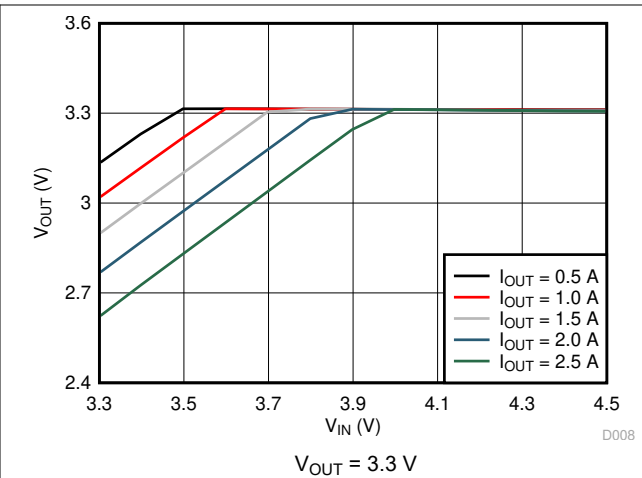


图 6-8. Dropout Curve

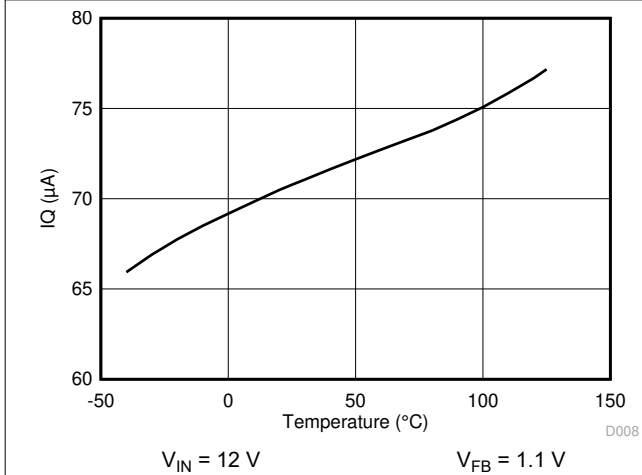


图 6-9. IQ vs Junction Temperature

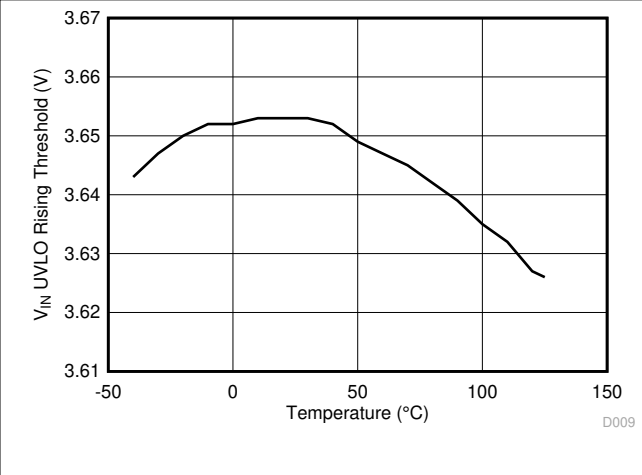


图 6-10. VIN UVLO Rising Threshold vs Junction Temperature

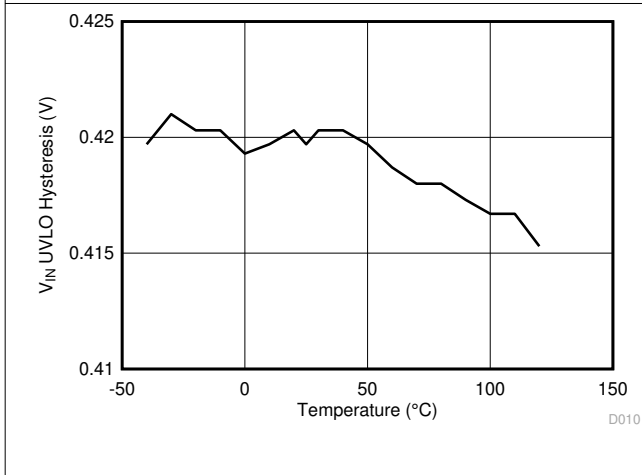


图 6-11. VIN UVLO Hysteresis vs Junction Temperature

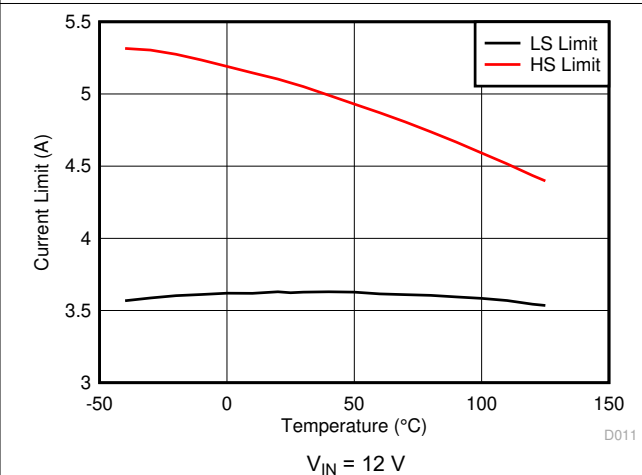


图 6-12. HS and LS Current Limit vs Junction Temperature

## 7 Detailed Description

### 7.1 Overview

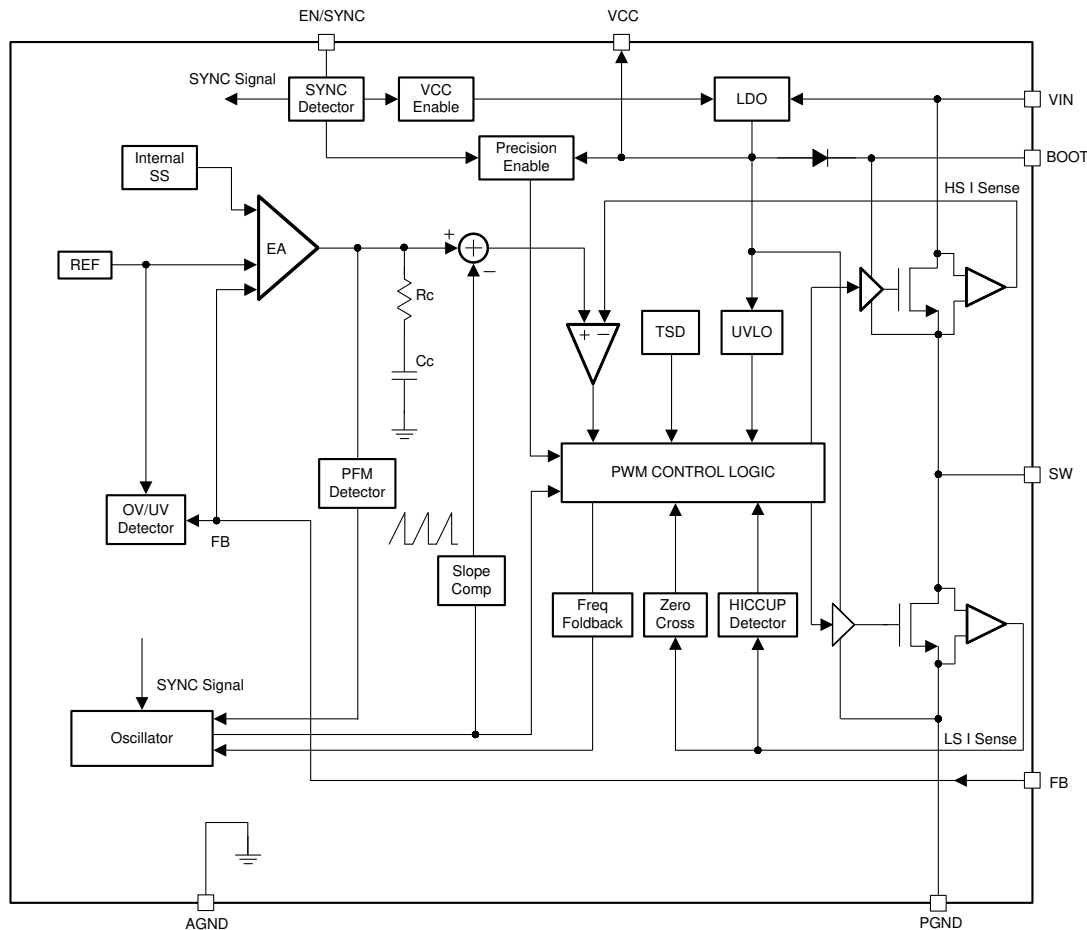
The LMR23625 SIMPLE SWITCHER® regulator is an easy-to-use synchronous step-down DC-DC converter operating from 4-V to 36-V supply voltage. The device delivers up to 2.5-A DC load current with good thermal performance in a small solution size. An extended family is available in multiple current options from 1 A to 3 A in pin-to-pin compatible packages.

The LMR23625 employs fixed frequency peak-current-mode control. The device enters PFM mode at light load to achieve high efficiency. A user-selectable FPWM option is provided to achieve low output-voltage ripple, tight output-voltage regulation, and constant switching frequency. The device is internally compensated, which reduces design time and requires few external components. The LMR23625 is capable of synchronization to an external clock within the range of 200 kHz to 2.2 MHz.

Additional features such as precision enable and internal soft start provide a flexible and easy-to-use solution for a wide range of applications. Protection features include thermal shutdown, VIN and VCC undervoltage lockout, cycle-by-cycle current limit, and hiccup-mode short-circuit protection.

The family requires very few external components and has a pinout designed for simple, optimum PCB layout.

### 7.2 Functional Block Diagram



### 7.3 Feature Description

#### 7.3.1 Fixed-Frequency Peak-Current-Mode Control

The following operating description of the LMR23625 refers to # 7.2 and to the waveforms in 图 7-1. The LMR23625 device is a step-down synchronous buck regulator with integrated high-side (HS) and low-side (LS) switches (synchronous rectifier). The device supplies a regulated output voltage by turning on the HS and LS

NMOS switches with controlled duty cycle. During high-side switch ON time, the SW pin voltage swings up to approximately  $V_{IN}$ , and the inductor current  $i_L$  increases with linear slope  $(V_{IN} - V_{OUT}) / L$ . When the HS switch is turned off by the control logic, the LS switch is turned on after an anti-shoot-through dead time. Inductor current discharges through the LS switch with a slope of  $-V_{OUT} / L$ . The control parameter of a buck converter is defined as duty cycle  $D = t_{ON} / T_{SW}$ , where  $t_{ON}$  is the high-side switch ON time and  $T_{SW}$  is the switching period. The regulator control loop maintains a constant output voltage by adjusting the duty cycle  $D$ . In an ideal buck converter, where losses are ignored,  $D$  is proportional to the output voltage and inversely proportional to the input voltage:  $D = V_{OUT} / V_{IN}$ .

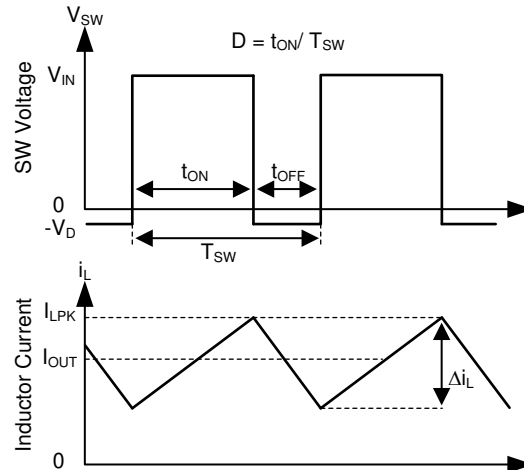


图 7-1. SW Node and Inductor Current Waveforms in Continuous Conduction Mode (CCM)

The LMR23625 employs fixed-frequency peak current mode control. A voltage feedback loop is used to get accurate DC voltage regulation by adjusting the peak current command based on voltage offset. The peak inductor current is sensed from the high-side switch and compared to the peak current threshold to control the ON time of the high-side switch. The voltage feedback loop is internally compensated, which allows for fewer external components, makes it easy to design, and provides stable operation with almost any combination of output capacitors. The regulator operates with fixed switching frequency at normal load condition. At light load condition, the LMR23625 operates in PFM mode to maintain high efficiency (PFM option) or in FPWM mode for low output-voltage ripple, tight output voltage regulation, and constant switching frequency (FPWM option).

### 7.3.2 Adjustable Output Voltage

A precision 1-V reference voltage is used to maintain a tightly regulated output voltage over the entire operating temperature range. The output voltage is set by a resistor divider from output voltage to the FB pin. TI recommends using 1% tolerance resistors with a low temperature coefficient for the FB divider. Select the low-side resistor  $R_{FBB}$  for the desired divider current and use 方程式 1 to calculate high-side  $R_{FBT}$ .  $R_{FBT}$  in the range from 10 k $\Omega$  to 100 k $\Omega$  is recommended for most applications. A lower  $R_{FBT}$  value can be used if static loading is desired to reduce  $V_{OUT}$  offset in PFM operation. Lower  $R_{FBT}$  will reduce efficiency at very light load. Less static current goes through a larger  $R_{FBT}$  and might be more desirable when light load efficiency is critical. However,  $R_{FBT}$  larger than 1 M $\Omega$  is not recommended because it makes the feedback path more susceptible to noise. Larger  $R_{FBT}$  value requires more carefully designed feedback path on the PCB. The tolerance and temperature variation of the resistor dividers affect the output voltage regulation.

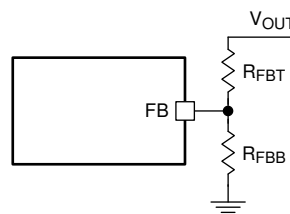


图 7-2. Output Voltage Setting

$$R_{F\text{BT}} = \frac{V_{\text{OUT}} - V_{\text{REF}}}{V_{\text{REF}}} \times R_{\text{FBB}} \quad (1)$$

### 7.3.3 Enable/Sync

The voltage on the EN/SYNC pin controls the ON or OFF operation of LMR23625. A voltage less than 1 V (typical) shuts down the device while a voltage higher than 1.6 V (typical) is required to start the regulator. The EN/SYNC pin is an input and cannot be left open or floating. The simplest way to enable the operation of the LMR23625 is to connect the EN to  $V_{\text{IN}}$ . This allows self-start-up of the LMR23625 when  $V_{\text{IN}}$  is within the operation range.

Many applications will benefit from the employment of an enable divider  $R_{\text{ENT}}$  and  $R_{\text{ENB}}$  (图 7-3) to establish a precision system UVLO level for the converter. System UVLO can be used for supplies operating from utility power as well as battery power. It can be used for sequencing, ensuring reliable operation, or supply protection, such as a battery discharge level. An external logic signal can also be used to drive EN input for system sequencing and protection.

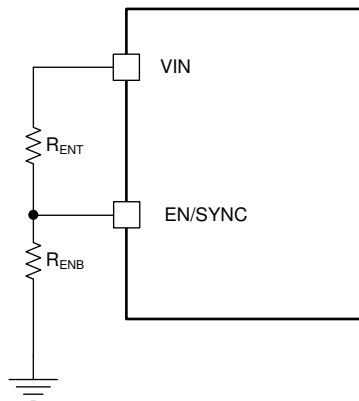


图 7-3. System UVLO by Enable Divider

The EN pin also can be used to synchronize the internal oscillator to an external clock. The internal oscillator can be synchronized by AC coupling a positive edge into the EN pin. The AC coupled peak-to-peak voltage at the EN pin must exceed the SYNC amplitude threshold of 2.8 V (typical) to trip the internal synchronization pulse detector, and the minimum SYNC clock ON and OFF time must be longer than 100ns (typical). A 3.3-V or higher amplitude pulse signal coupled through a 1-nF capacitor  $C_{\text{SYNC}}$  is a good starting point. Keeping  $R_{\text{ENT}} // R_{\text{ENB}}$  ( $R_{\text{ENT}}$  parallel with  $R_{\text{ENB}}$ ) in the 100-k $\Omega$  range is a good choice.  $R_{\text{ENT}}$  is required for this synchronization circuit, but  $R_{\text{ENB}}$  can be left unmounted if system UVLO is not needed. LMR23625 switching action can be synchronized to an external clock from 200 kHz to 2.2 MHz. 图 7-5 and 图 7-6 show the device synchronized to an external system clock.

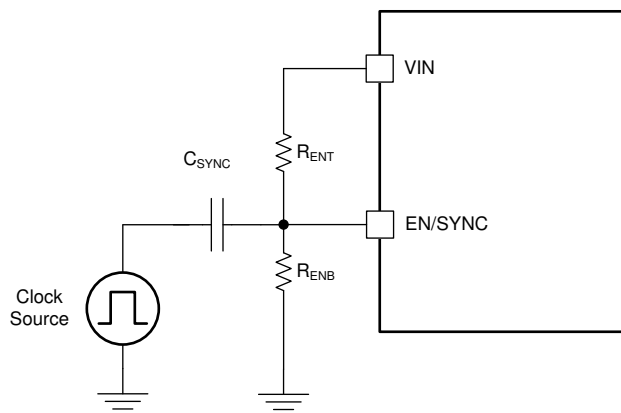


图 7-4. Synchronize to External Clock

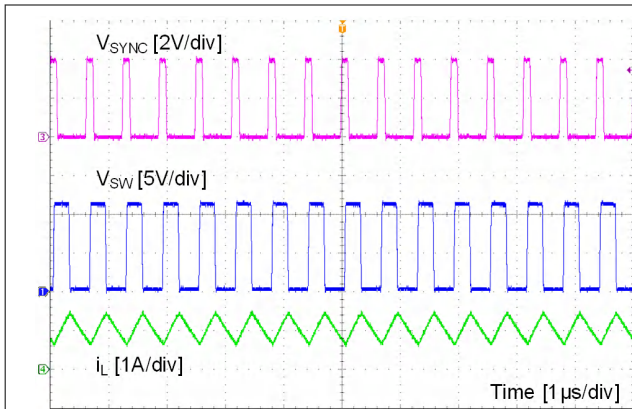


图 7-5. Synchronizing in PWM Mode

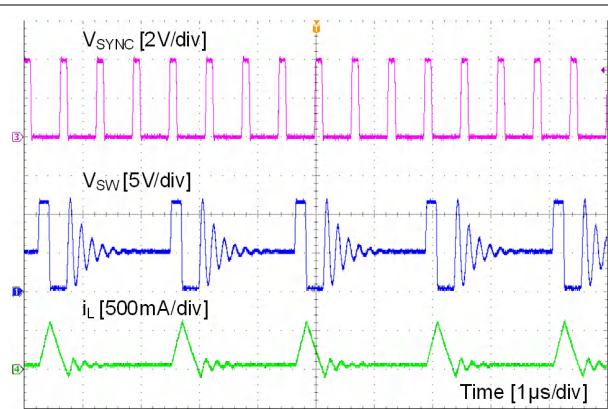


图 7-6. Synchronizing in PFM Mode

### 7.3.4 VCC, UVLO

The LMR23625 integrates an internal LDO to generate  $V_{CC}$  for control circuitry and MOSFET drivers. The nominal voltage for  $V_{CC}$  is 4.1 V. The VCC pin is the output of an LDO and must be properly bypassed. Place a high-quality ceramic capacitor with a value of 2.2  $\mu\text{F}$  to 10  $\mu\text{F}$ , 16 V or higher rated voltage as close as possible to VCC and grounded to the exposed PAD and ground pins. The VCC output pin must not be loaded, or shorted to ground during operation. Shorting VCC to ground during operation may cause damage to the LMR23625.

VCC undervoltage lockout (UVLO) prevents the LMR23625 from operating until the  $V_{CC}$  voltage exceeds 3.3 V (typical). The VCC UVLO threshold has 400 mV (typical) of hysteresis to prevent undesired shutdown due to temporary  $V_{IN}$  drops.

### 7.3.5 Minimum ON-time, Minimum OFF-time and Frequency Foldback at Drop-out Conditions

Minimum ON-time,  $T_{ON\_MIN}$ , is the smallest duration of time that the HS switch can be on.  $T_{ON\_MIN}$  is typically 60 ns in the LMR23625. Minimum OFF-time,  $T_{OFF\_MIN}$ , is the smallest duration that the HS switch can be off.  $T_{OFF\_MIN}$  is typically 100 ns in the LMR23625. In CCM operation,  $T_{ON\_MIN}$  and  $T_{OFF\_MIN}$  limit the voltage conversion range given a selected switching frequency.

The minimum duty cycle allowed is:

$$D_{MIN} = T_{ON\_MIN} \times f_{SW} \quad (2)$$

And the maximum duty cycle allowed is:

$$D_{MAX} = 1 - T_{OFF\_MIN} \times f_{SW} \quad (3)$$

Given fixed  $T_{ON\_MIN}$  and  $T_{OFF\_MIN}$ , the higher the switching frequency the narrower the range of the allowed duty cycle. In the LMR23625, a frequency foldback scheme is employed to extend the maximum duty cycle when  $T_{OFF\_MIN}$  is reached. The switching frequency decreases once longer duty cycle is needed under low  $V_{IN}$  conditions. A wide range of frequency foldback allows the LMR23625 output voltage stay in regulation with a much lower supply voltage  $V_{IN}$ . This leads to a lower effective dropout voltage.

Given an output voltage, the choice of the switching frequency affects the allowed input voltage range, solution size and efficiency. The maximum operation supply voltage can be found by:

$$V_{IN\_MAX} = \frac{V_{OUT}}{(f_{SW} \times T_{ON\_MIN})} \quad (4)$$

At lower supply voltage, the switching frequency decreases once  $T_{OFF\_MIN}$  is tripped. The minimum  $V_{IN}$  without frequency foldback can be approximated by:

$$V_{IN\_MIN} = \frac{V_{OUT}}{(1 - f_{SW} \times T_{OFF\_MIN})} \quad (5)$$

Taking considerations of power losses in the system with heavy load operation,  $V_{IN\_MAX}$  is higher than the result calculated in Equation 4. With frequency foldback,  $V_{IN\_MIN}$  is lowered by decreased  $f_{SW}$ .

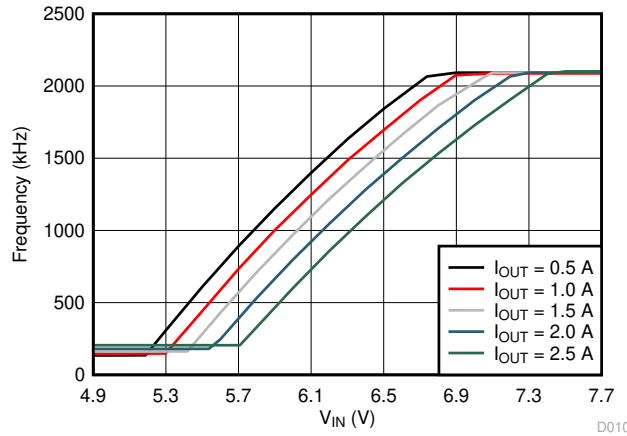


图 7-7. Frequency Foldback at Dropout ( $V_{OUT} = 5\text{ V}$ ,  $f_{SW} = 2100\text{ kHz}$ )

### 7.3.6 Internal Compensation and $C_{FF}$

The LMR23625 device is internally compensated as shown in 节 7.2. The internal compensation is designed such that the loop response is stable over the entire operating frequency and output voltage range. Depending on the output voltage, the compensation loop phase margin can be low with all ceramic capacitors. TI recommends an external feedforward capacitor  $C_{FF}$  be placed in parallel with the top resistor divider  $R_{FBT}$  for optimum transient performance.

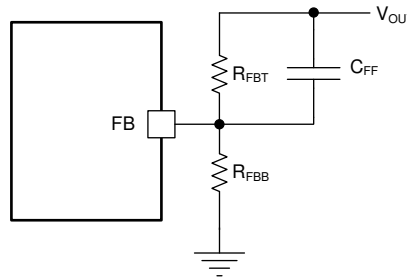


图 7-8. Feed-forward Capacitor for Loop Compensation

The feed-forward capacitor  $C_{FF}$  in parallel with  $R_{FBT}$  places an additional zero before the crossover frequency of the control loop to boost phase margin. The zero frequency can be found by:

$$f_{Z\_CFF} = \frac{1}{(2\pi \times C_{FF} \times R_{FBT})} \quad (6)$$

An additional pole is also introduced with  $C_{FF}$  at the frequency of:

$$f_{P\_CFF} = \frac{1}{(2\pi \times C_{FF} \times R_{FBT} // R_{FBT})} \quad (7)$$

The zero  $f_{Z\_CFF}$  adds phase boost at the crossover frequency and improves transient response. The pole  $f_{P\_CFF}$  helps maintaining proper gain margin at frequency beyond the crossover. 表 8-1 lists the combination of  $C_{OUT}$ ,



$C_{FF}$  and  $R_{FBT}$  for typical applications, designs with similar  $C_{OUT}$  but  $R_{FBT}$  other than recommended value, adjust  $C_{FF}$  so that  $(C_{FF} \times R_{FBT})$  is unchanged and adjust  $R_{FBB}$  such that  $(R_{FBT} / R_{FBB})$  is unchanged.

Designs with different combinations of output capacitors need different  $C_{FF}$ . Different types of capacitors have different equivalent series resistance (ESR). Ceramic capacitors have the smallest ESR and need the most  $C_{FF}$ . Electrolytic capacitors have much larger ESR than ceramic, and the ESR zero frequency location would be low enough to boost the phase up around the crossover frequency. Designs that use mostly electrolytic capacitors at the output may not need any  $C_{FF}$ . The location of this ESR zero frequency can be calculated with [Equation 8](#):

$$f_{Z\_ESR} = \frac{1}{(2\pi \times C_{OUT} \times ESR)} \quad (8)$$

The  $C_{FF}$  creates a time constant with  $R_{FBT}$  that couples in the attenuate output voltage ripple to the FB node. If the  $C_{FF}$  value is too large, it can couple too much ripple to the FB and affect  $V_{OUT}$  regulation. Therefore, calculate  $C_{FF}$  based on output capacitors used in the system. At cold temperatures, the value of  $C_{FF}$  might change based on the tolerance of the chosen component. This may reduce its impedance and ease noise coupling on the FB node. To avoid this, more capacitance can be added to the output or the value of  $C_{FF}$  can be reduced.

### 7.3.7 Bootstrap Voltage (BOOT)

The LMR23625 provides an integrated bootstrap voltage regulator. A small capacitor between the BOOT and SW pins provides the gate-drive voltage for the high-side MOSFET. The BOOT capacitor is refreshed when the high-side MOSFET is off and the low-side switch conducts. TI recommends a BOOT capacitor with a value of 0.1  $\mu$ F to 0.47  $\mu$ F. A ceramic capacitor with an X7R or X5R grade dielectric with a voltage rating of 16 V or higher is recommended for stable performance over temperature and voltage.

### 7.3.8 Overcurrent and Short-Circuit Protection

The LMR23625 is protected from overcurrent conditions by cycle-by-cycle current limit on both the peak and valley of the inductor current. Hiccup mode is activated if a fault condition persists to prevent over-heating.

High-side MOSFET over-current protection is implemented by the nature of the peak-current-mode control. The HS switch current is sensed when the HS is turned on after a set blanking time. The HS switch current is compared to the output of the error amplifier (EA) minus slope compensation every switching cycle. See [# 7.2](#) for more details. The peak current of HS switch is limited by a clamped maximum peak-current threshold  $I_{HS\_LIMIT}$  which is constant. Thus, the peak current limit of the high-side switch is not affected by the slope compensation and remains constant over the full duty cycle range.

The current going through LS MOSFET is also sensed and monitored. When the LS switch turns on, the inductor current begins to ramp down. The LS switch will not be turned OFF at the end of a switching cycle if its current is above the LS current limit  $I_{LS\_LIMIT}$ . The LS switch is kept ON so that inductor current keeps ramping down until the inductor current ramps below the LS current limit  $I_{LS\_LIMIT}$ . Then the LS switch is turned OFF, and the HS switch will be turned on after a dead time. This is somewhat different than the more typical peak current limit and results in [Equation 9](#) for the maximum load current.

$$I_{OUT\_MAX} = I_{LS\_LIMIT} + \frac{(V_{IN} - V_{OUT})}{2 \times f_{SW} \times L} \times \frac{V_{OUT}}{V_{IN}} \quad (9)$$

If the current of the LS switch is higher than the LS current limit for 64 consecutive cycles, hiccup-current-protection mode is activated. In hiccup mode, the regulator is shut down and kept off for 5 ms typically before the LMR23625 tries to start again. If an overcurrent or short-circuit fault condition still exists, hiccup repeats until the fault condition is removed. Hiccup mode reduces power dissipation under severe overcurrent conditions, prevents over-heating and potential damage to the device.

For FPWM option, the inductor current is allowed to go negative. Should this current exceed  $I_{L\_NEG}$ , the LS switch is turned off until the next clock cycle. This is used to protect the LS switch from excessive negative current.



### 7.3.9 Thermal Shutdown

The LMR23625 provides an internal thermal shutdown to protect the device when the junction temperature exceeds 170°C (typical). The device is turned off when thermal shutdown activates. Once the die temperature falls below 155°C (typical), the device reinitiates the power-up sequence controlled by the internal soft-start circuitry.

## 7.4 Device Functional Modes

### 7.4.1 Shutdown Mode

The EN pin provides electrical ON and OFF control for the LMR23625. When  $V_{EN}$  is below 1 V (typical), the device is in shutdown mode. The LMR23625 also employs  $V_{IN}$  and  $V_{CC}$  UVLO protection. If  $V_{IN}$  or  $V_{CC}$  voltage is below their respective UVLO level, the regulator is turned off.

### 7.4.2 Active Mode

The LMR23625 is in active mode when  $V_{EN}$  is above the precision enable threshold, and  $V_{IN}$  and  $V_{CC}$  are above their respective UVLO level. The simplest way to enable the LMR23625 is to connect the EN pin to  $V_{IN}$  pin. This allows self start-up when the input voltage is in the operating range 4-V to 36-V. See [§ 7.3.4](#) and [§ 7.3.3](#) for details on setting these operating levels.

In active mode, depending on the load current, the LMR23625 is in one of four modes:

1. Continuous conduction mode (CCM) with fixed switching frequency when load current is above half of the peak-to-peak inductor current ripple (for both PFM and FPWM options).
2. Discontinuous conduction mode (DCM) with fixed switching frequency when load current is lower than half of the peak-to-peak inductor current ripple in CCM operation (only for PFM option).
3. Pulse frequency modulation mode (PFM) when switching frequency is decreased at very light load (only for PFM option).
4. Forced pulse width modulation mode (FPWM) with fixed switching frequency even at light load (only for FPWM option).

### 7.4.3 CCM Mode

CCM operation is employed in the LMR23625 when the load current is higher than half of the peak-to-peak inductor current. In CCM operation, the frequency of operation is fixed, output voltage ripple is at a minimum in this mode and the maximum output current of 2.5 A can be supplied by the LMR23625.

### 7.4.4 Light Load Operation (PFM Option)

For the PFM option, when the load current is lower than half of the peak-to-peak inductor current in CCM, the LMR23625 operates in DCM, also known as diode emulation mode (DEM). In DCM, the LS switch is turned off when the inductor current drops to  $I_{L\_ZC}$  ( - 40 mA typical). Both switching losses and conduction losses are reduced in DCM, compared to forced PWM operation at light load.

At even lighter current loads, PFM is activated to maintain high efficiency operation. When either the minimum HS switch ON-time ( $t_{ON\_MIN}$ ) or the minimum peak inductor current  $I_{PEAK\_MIN}$  (300 mA typical) is reached, the switching frequency decreases to maintain regulation. In PFM, switching frequency is decreased by the control loop when load current reduces to maintain output voltage regulation. Switching loss is further reduced in PFM operation due to less frequent switching actions. The external clock synchronizing is not valid when LMR23625 enters into PFM mode.

### 7.4.5 Light Load Operation (FPWM Option)

For FPWM option, the LMR23625 device is locked in PWM mode at full load range. This operation is maintained, even at no-load, by allowing the inductor current to reverse its normal direction. This mode trades off reduced light load efficiency for low output voltage ripple, tight output voltage regulation, and constant switching frequency. In this mode, a negative current limit of  $I_{L\_NEG}$  is imposed to prevent damage to the regulators low side FET. When in FPWM mode the converter synchronizes to any valid clock signal on the EN/SYNC input.

## 8 Application and Implementation

### 备注

Information in the following applications sections is not part of the TI component specification, and TI does not warrant its accuracy or completeness. TI's customers are responsible for determining suitability of components for their purposes. Customers should validate and test their design implementation to confirm system functionality.

### 8.1 Application Information

The LMR23625 is a step down DC-to-DC regulator. It is typically used to convert a higher DC voltage to a lower DC voltage with a maximum output current of 2.5 A. The following design procedure can be used to select components for the LMR23625. Alternately, the WEBENCH® software may be used to generate complete designs. When generating a design, the WEBENCH software utilizes iterative design procedure and accesses comprehensive databases of components. See [www.ti.com](http://www.ti.com) for more details.

### 8.2 Typical Applications

The LMR23625 only requires a few external components to convert from a wide voltage range supply to a fixed output voltage. 图 8-1 shows a basic schematic.

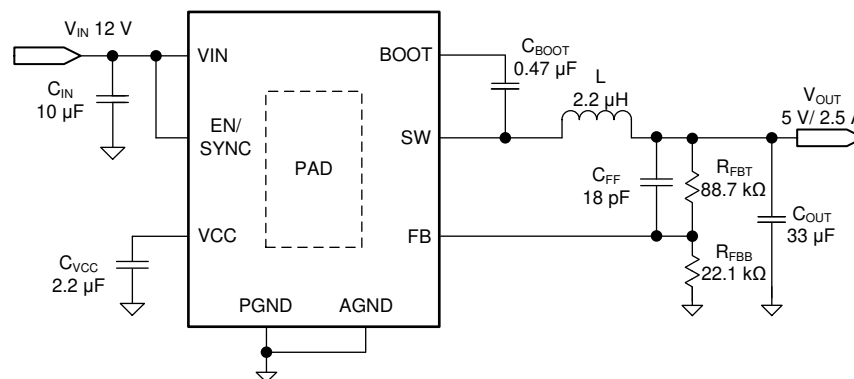


图 8-1. Application Circuit

The external components must fulfill the needs of the application, but also the stability criteria of the device control loop. 表 8-1 can be used to simplify the output filter component selection.

表 8-1. L, C<sub>OUT</sub> and C<sub>FF</sub> Typical Values

| f <sub>sw</sub> (kHz) | V <sub>OUT</sub> (V) | L (µH) <sup>(1)</sup> | C <sub>OUT</sub> (µF) <sup>(2)</sup> | C <sub>FF</sub> (pF) | R <sub>FBT</sub> (kΩ) <sup>(3) (4)</sup> |
|-----------------------|----------------------|-----------------------|--------------------------------------|----------------------|--|
| 2100                  | 3.3                  | 2.2                   | 47                                   | 33                   | 51                                       |
| 2100                  | 5                    | 2.2                   | 33                                   | 18                   | 88.7                                     |

- (1) Inductance value is calculated based on V<sub>IN</sub> = 20 V.
- (2) All the C<sub>OUT</sub> values are after derating. Add more when using ceramic capacitors.
- (3) R<sub>FBT</sub> = 0 Ω for V<sub>OUT</sub> = 1 V. R<sub>FBB</sub> = 22.1 kΩ for all other V<sub>OUT</sub> setting.
- (4) For designs with R<sub>FBT</sub> other than recommended value, adjust C<sub>FF</sub> so that (C<sub>FF</sub> × R<sub>FBT</sub>) is unchanged and adjust R<sub>FBB</sub> so that (R<sub>FBT</sub> / R<sub>FBB</sub>) is unchanged.

## 8.2.1 Design Requirements

Detailed design procedure is described based on a design example. For this design example, use the parameters listed in [表 8-2](#) as the input parameters.

**表 8-2. Design Example Parameters**

| DESIGN PARAMETER                    | EXAMPLE VALUE                        |
|-------------------------------------|--------------------------------------|
| Input voltage, $V_{IN}$             | 12 V typical, range from 8 V to 28 V |
| Output voltage, $V_{OUT}$           | 5 V                                  |
| Maximum output current $I_{O\_MAX}$ | 2.5 A                                |
| Transient response 0.2 A to 2.5 A   | 5%                                   |
| Output voltage ripple               | 50 mV                                |
| Input voltage ripple                | 400 mV                               |
| Switching frequency $f_{SW}$        | 2100 kHz                             |

## 8.2.2 Detailed Design Procedure

### 8.2.2.1 Custom Design With WEBENCH® Tools

[Click here](#) to create a custom design using the LMR23625 device with the WEBENCH® Power Designer.

1. Start by entering the input voltage ( $V_{IN}$ ), output voltage ( $V_{OUT}$ ), and output current ( $I_{OUT}$ ) requirements.
2. Optimize the design for key parameters such as efficiency, footprint, and cost using the optimizer dial.
3. Compare the generated design with other possible solutions from Texas Instruments.

The WEBENCH Power Designer provides a customized schematic along with a list of materials with real-time pricing and component availability.

In most cases, these actions are available:

- Run electrical simulations to see important waveforms and circuit performance
- Run thermal simulations to understand board thermal performance
- Export customized schematic and layout into popular CAD formats
- Print PDF reports for the design, and share the design with colleagues

Get more information about WEBENCH tools at [www.ti.com/WEBENCH](http://www.ti.com/WEBENCH).

### 8.2.2.2 Output Voltage Setpoint

The output voltage of LMR23625 is externally adjustable using a resistor divider network. The divider network is comprised of top feedback resistor  $R_{FBT}$  and bottom feedback resistor  $R_{FBB}$ . [Equation 10](#) is used to determine the output voltage:

$$R_{FBT} = \frac{V_{OUT} - V_{REF}}{V_{REF}} \times R_{FBB} \quad (10)$$

Choose the value of  $R_{FBB}$  to be 22.1 k $\Omega$ . With the desired output voltage set to 5 V and the  $V_{REF} = 1$  V, the  $R_{FBB}$  value can then be calculated using [Equation 10](#). The formula yields to a value 88.7 k $\Omega$ .

### 8.2.2.3 Switching Frequency

The default switching frequency of the LMR23625 is 2100 kHz. For other switching frequencies, the device must be synchronized to an external clock ( see [# 7.3.3](#) for more details).

### 8.2.2.4 Inductor Selection

The most critical parameters for the inductor are the inductance, saturation current, and the rated current. The inductance is based on the desired peak-to-peak ripple current  $\Delta i_L$ . Because the ripple current increases with the input voltage, the maximum input voltage is always used to calculate the minimum inductance  $L_{MIN}$ . Use [Equation 12](#) to calculate the minimum value of the output inductor.  $K_{IND}$  is a coefficient that represents the amount of inductor ripple current relative to the maximum output current of the device. A reasonable value of

$K_{IND}$  must be 20% to 40%. During an instantaneous short or over current operation event, the RMS and peak inductor current can be high. The inductor current rating must be higher than the current limit of the device.

$$\Delta i_L = \frac{V_{OUT} \times (V_{IN\_MAX} - V_{OUT})}{V_{IN\_MAX} \times L \times f_{SW}} \quad (11)$$

$$L_{MIN} = \frac{V_{IN\_MAX} - V_{OUT}}{I_{OUT} \times K_{IND}} \times \frac{V_{OUT}}{V_{IN\_MAX} \times f_{SW}} \quad (12)$$

In general, it is preferable to choose lower inductance in switching power supplies, because it usually corresponds to faster transient response, smaller DCR, and reduced size for more compact designs. However, inductance that is too low can generate an inductor current ripple that is too high so that overcurrent protection at the full load may be falsely triggered. It also generates more conduction loss and inductor core loss. Larger inductor current ripple also implies larger output voltage ripple with same output capacitors. With peak-current-mode control, TI does not recommend having an inductor current ripple that is too small. A larger peak current ripple improves the comparator signal-to-noise ratio.

For this design example, choose  $K_{IND} = 0.4$ , the minimum inductor value is calculated to be 1.9  $\mu\text{H}$ . Choose the nearest standard 2.2  $\mu\text{H}$  ferrite inductor with a capability of 3.5-A RMS current and 6-A saturation current.

### 8.2.2.5 Output Capacitor Selection

Choose the output capacitor(s),  $C_{OUT}$ , with care because it directly affects the steady-state output-voltage ripple, loop stability, and the voltage over/undershoot during load-current transients.

The output ripple is essentially composed of two parts. One is caused by the inductor current ripple going through the ESR of the output capacitors:

$$\Delta V_{OUT\_ESR} = \Delta i_L \times ESR = K_{IND} \times I_{OUT} \times ESR \quad (13)$$

The other is caused by the inductor current ripple charging and discharging the output capacitors:

$$\Delta V_{OUT\_C} = \frac{\Delta i_L}{(8 \times f_{SW} \times C_{OUT})} = \frac{K_{IND} \times I_{OUT}}{(8 \times f_{SW} \times C_{OUT})} \quad (14)$$

The two components in the voltage ripple are not in phase, so the actual peak-to-peak ripple is smaller than the sum of two peaks.

Output capacitance is usually limited by transient performance specifications if the system requires tight voltage regulation with presence of large current steps and fast slew rate. When a fast large load increase happens, output capacitors provide the required charge before the inductor current can slew up to the appropriate level. The control loop of the regulator usually needs four or more clock cycles to respond to the output voltage droop. The output capacitance must be large enough to supply the current difference for four clock cycles to maintain the output voltage within the specified range. Equation 15 shows the minimum output capacitance needed for specified output undershoot. When a sudden large load decrease happens, the output capacitors absorb energy stored in the inductor, which results in an output voltage overshoot. Equation 16 calculates the minimum capacitance required to keep the voltage overshoot within a specified range.

$$C_{OUT} > \frac{4 \times (I_{OH} - I_{OL})}{f_{SW} \times V_{US}} \quad (15)$$

$$C_{OUT} > \frac{I_{OH}^2 - I_{OL}^2}{(V_{OUT} + V_{OS})^2 - V_{OUT}^2} \times L \quad (16)$$

where

- $I_{OL}$  = Low level output current during load transient
- $I_{OH}$  = High level output current during load transient
- $V_{US}$  = Target output voltage undershoot
- $V_{OS}$  = Target output voltage overshoot

For this design example, the target output ripple is 50 mV. Presuppose  $\Delta V_{OUT\_ESR} = \Delta V_{OUT\_C} = 50$  mV, and chose  $K_{IND} = 0.4$ . Equation 13 yields ESR no larger than 50 m $\Omega$  and Equation 14 yields  $C_{OUT}$  no smaller than 1.2  $\mu$ F. For the target over/undershoot range of this design,  $V_{US} = V_{OS} = 5\% \times V_{OUT} = 250$  mV. The  $C_{OUT}$  can be calculated to be no smaller than 17.5  $\mu$ F and 5.3  $\mu$ F by Equation 15 and Equation 16, respectively. Consider of derating, one 33- $\mu$ F, 16-V ceramic capacitor with 5-m $\Omega$  ESR is used.

### 8.2.2.6 Feed-forward Capacitor

The LMR23625 is internally compensated. Depending on the  $V_{OUT}$  and frequency  $f_{SW}$ , if the output capacitor  $C_{OUT}$  is dominated by low ESR (ceramic type) capacitors, it could result in low phase margin. To improve the phase boost an external feed-forward capacitor  $C_{FF}$  can be added in parallel with  $R_{FBT}$ . Choose  $C_{FF}$  so that phase margin is boosted at the crossover frequency without  $C_{FF}$ . A simple estimation for the crossover frequency ( $f_X$ ) without  $C_{FF}$  is shown in Equation 17, assuming  $C_{OUT}$  has very small ESR, and  $C_{OUT}$  value is after derating.

$$f_X = \frac{8.32}{V_{OUT} \times C_{OUT}} \quad (17)$$

Equation 18 for  $C_{FF}$  was tested:

$$C_{FF} = \frac{1}{4\pi \times f_X \times R_{FBT}} \quad (18)$$

For designs with higher ESR,  $C_{FF}$  is not needed when  $C_{OUT}$  has very high ESR, and  $C_{FF}$  calculated from Equation 18 should be reduced with medium ESR. 表 8-1 can be used as a quick starting point.

For the application in this design example, a 18-pF, 50-V, COG capacitor is selected.

### 8.2.2.7 Input Capacitor Selection

The LMR23625 device requires high-frequency input decoupling capacitor(s) and a bulk input capacitor, depending on the application. The typical recommended value for the high-frequency decoupling capacitor is 4.7  $\mu$ F to 10  $\mu$ F. TI recommends a high-quality ceramic capacitor type X5R or X7R with sufficiency voltage rating. To compensate the derating of ceramic capacitors, a voltage rating twice the maximum input voltage is recommended. Additionally, some bulk capacitance can be required, especially if the LMR23625 circuit is not located within approximately 5 cm from the input voltage source. This capacitor is used to provide damping to the voltage spike due to the lead inductance of the cable or the trace. For this design, two 4.7- $\mu$ F, 50-V, X7R ceramic capacitors are used. A 0.1- $\mu$ F for high-frequency filtering and place it as close as possible to the device pins.

### 8.2.2.8 Bootstrap Capacitor Selection

Every LMR23625 design requires a bootstrap capacitor ( $C_{BOOT}$ ). TI recommends a capacitor of 0.47  $\mu$ F, ated 16 V or higher. The bootstrap capacitor is located between the SW pin and the BOOT pin. The bootstrap capacitor must be a high-quality ceramic type with an X7R or X5R grade dielectric for temperature stability.

### 8.2.2.9 VCC Capacitor Selection

The VCC pin is the output of an internal LDO for LMR23625. To insure stability of the device, place a minimum of 2.2-  $\mu$ F, 16-V, X7R capacitor from this pin to ground.

### 8.2.2.10 Undervoltage Lockout Set-Point

The system undervoltage lockout (UVLO) is adjusted using the external voltage divider network of  $R_{ENT}$  and  $R_{ENB}$ . The UVLO has two thresholds, one for power up when the input voltage is rising and one for power down or brown outs when the input voltage is falling. The following equation can be used to determine the  $V_{IN}$  UVLO level.

$$V_{IN\_RISING} = V_{ENH} \times \frac{R_{ENT} + R_{ENB}}{R_{ENB}} \quad (19)$$

The EN rising threshold ( $V_{ENH}$ ) for LMR23625 is set to be 1.55 V (typical). Choose the value of  $R_{ENB}$  to be 287 k $\Omega$  to minimize input current from the supply. If the desired  $V_{IN}$  UVLO level is at 6.0 V, then the value of  $R_{ENT}$  can be calculated using [Equation 20](#):

$$R_{ENT} = \left( \frac{V_{IN\_RISING}}{V_{ENH}} - 1 \right) \times R_{ENB} \quad (20)$$

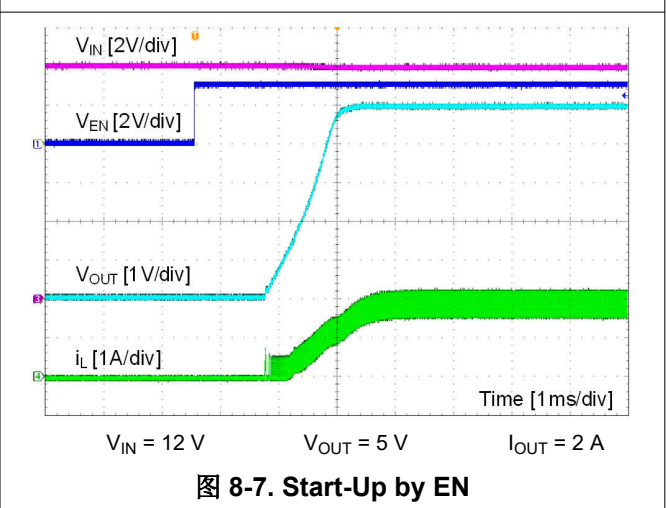
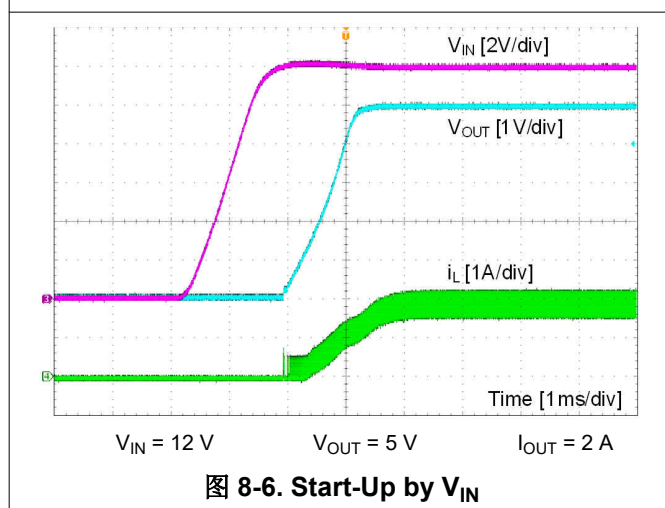
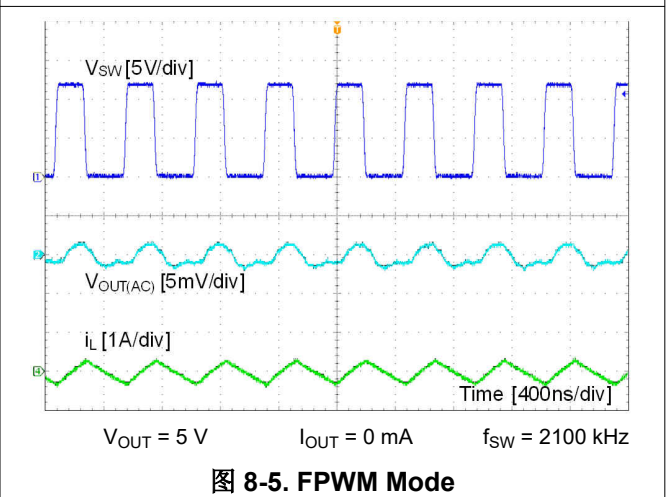
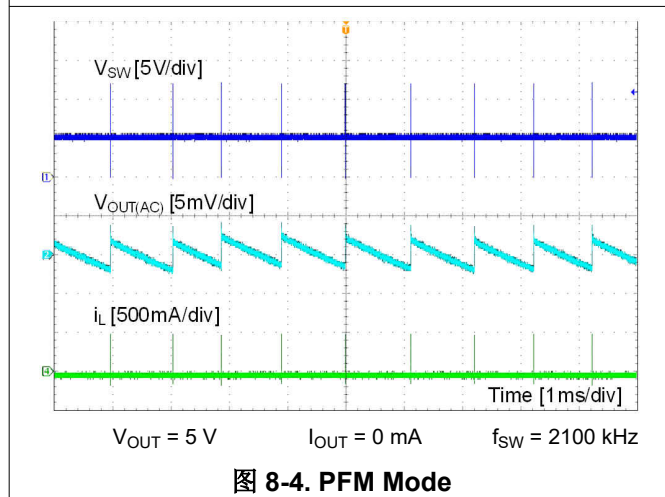
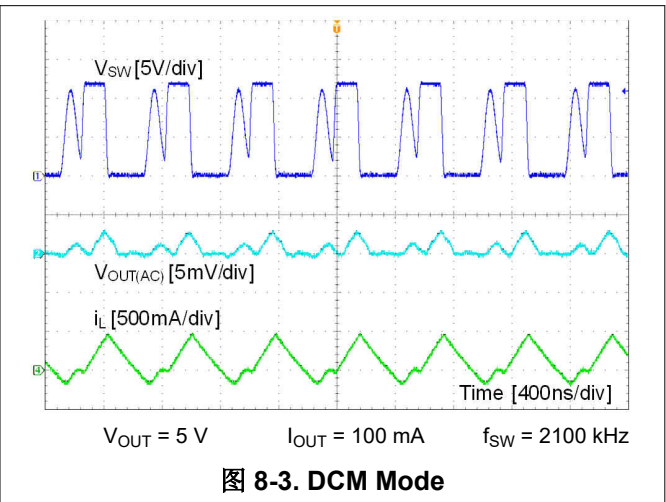
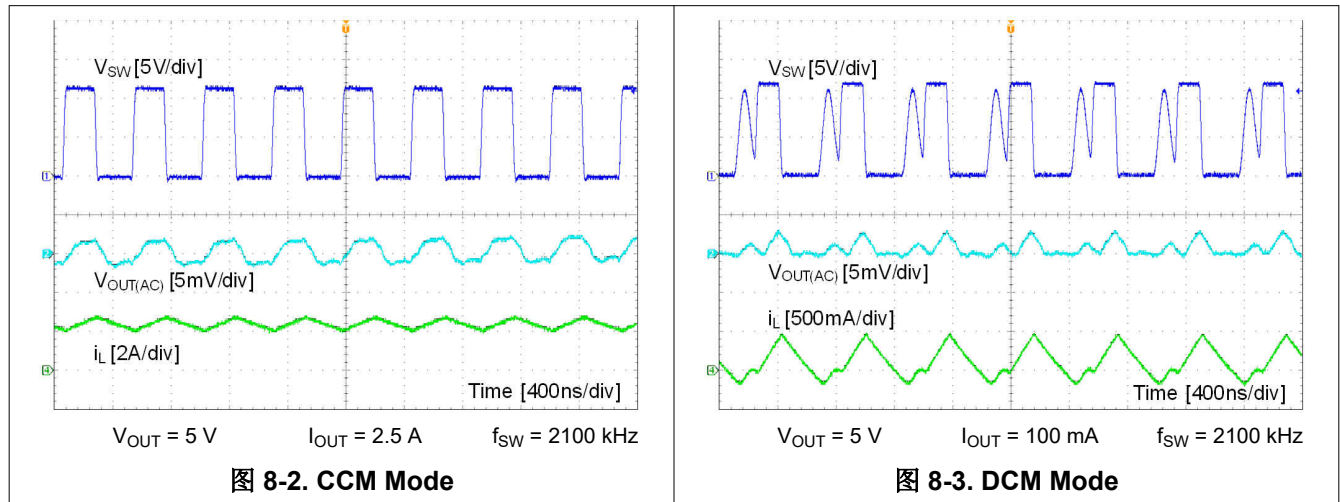
[Equation 20](#) yields a value of 820 k $\Omega$ . The resulting falling UVLO threshold, equals 4.4 V, can be calculated by [Equation 21](#), where EN hysteresis ( $V_{EN\_HYS}$ ) is 0.4 V (typical).

$$V_{IN\_FALLING} = (V_{ENH} - V_{EN\_HYS}) \times \frac{R_{ENT} + R_{ENB}}{R_{ENB}} \quad (21)$$

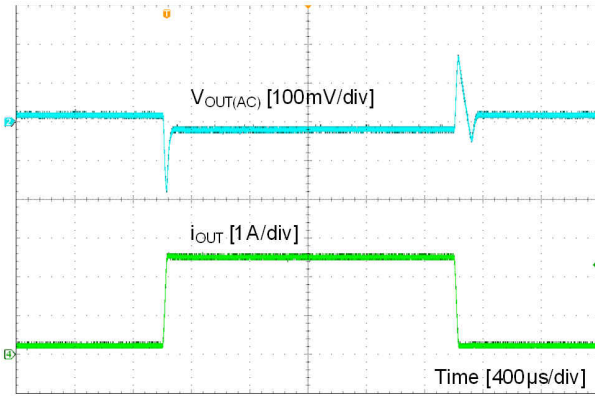


### 8.2.3 Application Curves

Unless otherwise specified the following conditions apply:  $V_{IN} = 12\text{ V}$ ,  $f_{SW} = 2100\text{ kHz}$ ,  $L = 2.2\text{ }\mu\text{H}$ ,  $C_{OUT} = 47\text{ }\mu\text{F}$ ,  $T_A = 25\text{ }^\circ\text{C}$ .

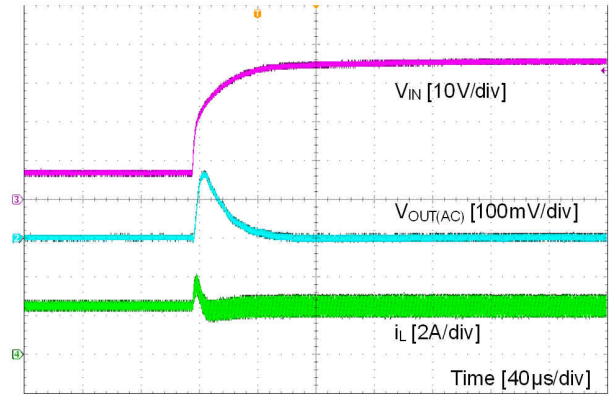






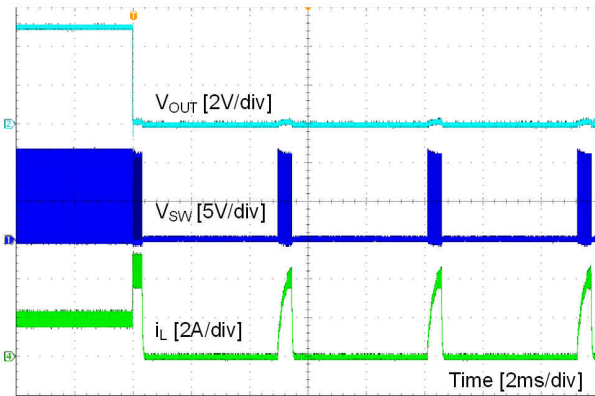
$V_{IN} = 12\text{ V}$        $I_{OUT} = 0.2\text{ A to } 2.5\text{ A}, 100\text{ mA} / \mu\text{ s}$   
 $V_{OUT} = 5\text{ V}$

**图 8-8. Load Transient**



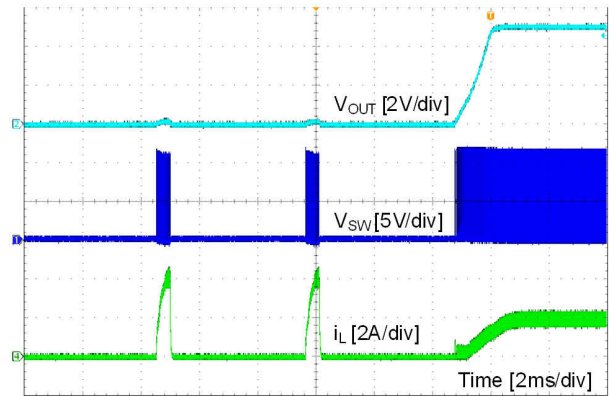
$V_{OUT} = 5\text{ V}$        $V_{IN} = 7\text{ V to } 36\text{ V}, 2\text{ V} / \mu\text{ s}$   
 $I_{OUT} = 2.5\text{ A}$

**图 8-9. Line Transient**



$V_{OUT} = 5\text{ V}$        $I_{OUT} = 1\text{ A to short}$

**图 8-10. Short Protection**



$V_{OUT} = 5\text{ V}$        $I_{OUT} = \text{short to } 1\text{ A}$

**图 8-11. Short Recovery**

## 9 Power Supply Recommendations

The LMR23625 device is designed to operate from an input voltage-supply range between 4.5 V and 36 V for the HSOIC package and 4 V to 36 V for the WSON package. This input supply must be able to withstand the maximum input current and maintain a stable voltage. The resistance of the input supply rail must be low enough that an input current transient does not cause a high enough drop at the device supply voltage that can cause a false UVLO fault triggering and system reset. If the input supply is located more than a few inches from the LMR23625, additional bulk capacitance may be required in addition to the ceramic input capacitors. The amount of bulk capacitance is not critical, but a 47-  $\mu$ F or 100-  $\mu$ F electrolytic capacitor is a typical choice.

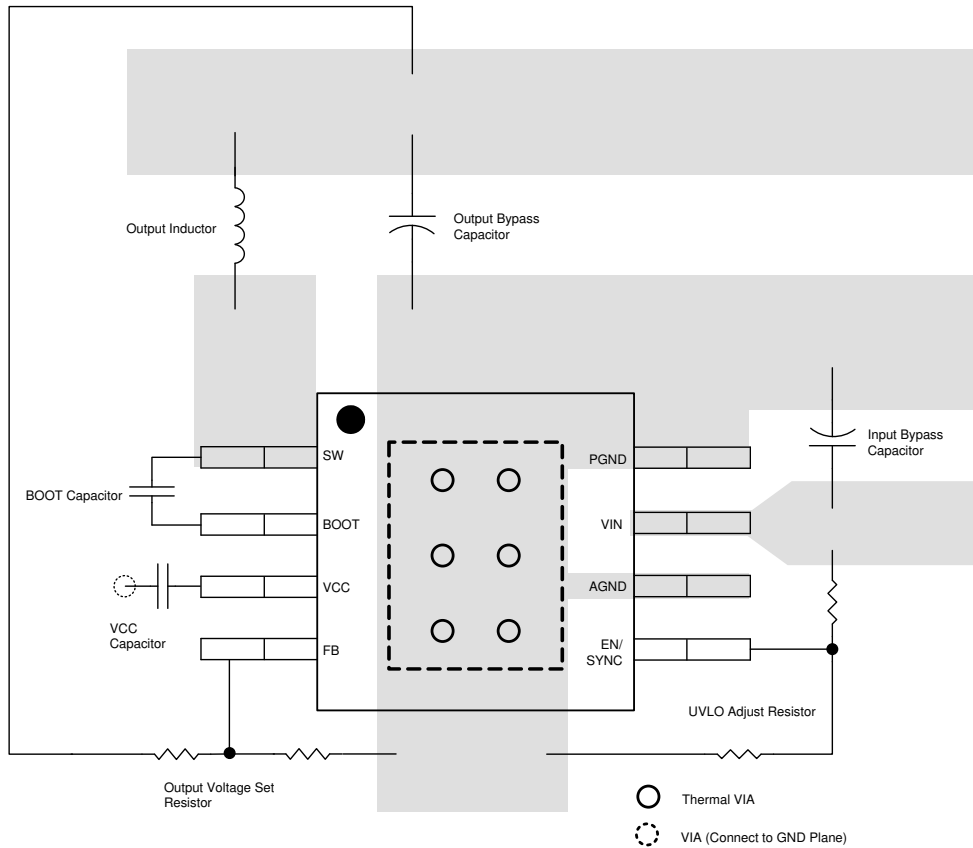
## 10 Layout

### 10.1 Layout Guidelines

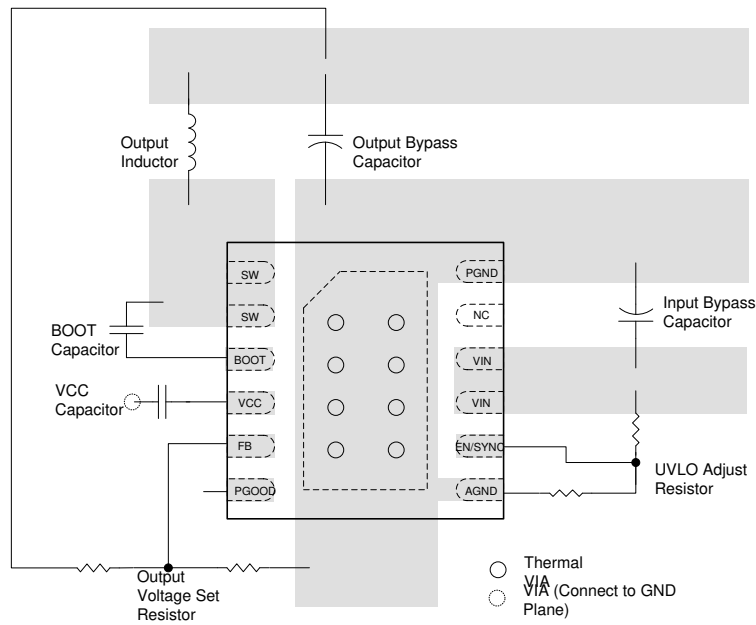
Layout is a critical portion of good power supply design. The following guidelines will help users design a PCB with the best power conversion performance, thermal performance, and minimized generation of unwanted EMI.

1. The input bypass capacitor  $C_{IN}$  must be placed as close as possible to the VIN and PGND pins. Grounding for both the input and output capacitors should consist of localized top side planes that connect to the PGND pin and PAD.
2. Place bypass capacitors for  $V_{CC}$  close to the VCC pin and ground the bypass capacitor to device ground.
3. Minimize trace length to the FB pin net. Both feedback resistors,  $R_{FBT}$  and  $R_{FBB}$  must be located close to the FB pin. Place  $C_{FF}$  directly in parallel with  $R_{FBT}$ . If  $V_{OUT}$  accuracy at the load is important, make sure  $V_{OUT}$  sense is made at the load. Route  $V_{OUT}$  sense path away from noisy nodes and preferably through a layer on the other side of a shielded layer.
4. Use ground plane in one of the middle layers as noise shielding and heat dissipation path.
5. Have a single point ground connection to the plane. The ground connections for the feedback and enable components should be routed to the ground plane. This prevents any switched or load currents from flowing in the analog ground traces. If not properly handled, poor grounding can result in degraded load regulation or erratic output voltage ripple behavior.
6. Make  $V_{IN}$ ,  $V_{OUT}$  and ground bus connections as wide as possible. This reduces any voltage drops on the input or output paths of the converter and maximizes efficiency.
7. Provide adequate device heat-sinking. Use an array of heat-sinking vias to connect the exposed pad to the ground plane on the bottom PCB layer. If the PCB has multiple copper layers, these thermal vias can also be connected to inner layer heat-spreading ground planes. Ensure enough copper area is used for heat-sinking to keep the junction temperature below 125°C.

## 10.2 Layout Example



**图 10-1. HSOIC Layout Example**



**图 10-2. WSON Layout Example**

### 10.3 Compact Layout for EMI Reduction

Radiated EMI is generated by the high di/dt components in pulsing currents in switching converters. The larger area covered by the path of a pulsing current, the more EMI is generated. High-frequency ceramic bypass capacitors at the input side provide primary path for the high di/dt components of the pulsing current. Placing ceramic bypass capacitor(s) as close as possible to the VIN and PGND pins is the key to EMI reduction.

The SW pin connecting to the inductor must be as short as possible and just wide enough to carry the load current without excessive heating. Use short, thick traces or copper pours (shapes) high current conduction path to minimize parasitic resistance. Place the output capacitors close to the V<sub>OUT</sub> end of the inductor and closely grounded to PGND pin and exposed PAD.

Place the bypass capacitors on VCC as close as possible to the pin and closely grounded to PGND and the exposed PAD.

### 10.4 Ground Plane and Thermal Considerations

TI recommends using one of the middle layers as a solid ground plane. Ground plane provides shielding for sensitive circuits and traces. It also provides a quiet reference potential for the control circuitry. Connect the AGND and PGND pins to the ground plane using vias right next to the bypass capacitors. PGND pin is connected to the source of the internal LS switch. They must be connected directly to the grounds of the input and output capacitors. The PGND net contains noise at switching frequency and may bounce due to load variations. PGND trace, as well as VIN and SW traces, must be constrained to one side of the ground plane. The other side of the ground plane contains much less noise and should be used for sensitive routes.

TI also recommends providing adequate device heat sinking by utilizing the PAD of the device as the primary thermal path. Use a minimum 4 by 2 array of 12 mil thermal vias to connect the PAD to the system ground plane heat sink. The vias must be evenly distributed under the PAD. Use as much copper as possible, for system ground plane, on the top and bottom layers for the best heat dissipation. Use a four-layer board with the copper thickness for the four layers, starting from the top of, 2 oz / 1 oz / 1 oz / 2 oz. Four-layer boards with enough copper thickness provides low current conduction impedance, proper shielding, and lower thermal resistance.

The thermal characteristics of the LMR23625 are specified using the parameter  $R_{\theta JA}$ , which characterize the junction temperature of silicon to the ambient temperature in a specific system. Although the value of  $R_{\theta JA}$  is dependent on many variables, it still can be used to approximate the operating junction temperature of the device. To obtain an estimate of the device junction temperature, one may use the following relationship:

$$T_J = P_D \times R_{\theta JA} + T_A \quad (22)$$

$$P_D = V_{IN} \times I_{IN} \times (1 - \text{Efficiency}) - 1.1 \times I_{OUT}^2 \times \text{DCR in watt} \quad (23)$$

where

- $T_J$  = junction temperature in °C
- $P_D$  = device power dissipation in watt
- $R_{\theta JA}$  = junction-to-ambient thermal resistance of the device in °C/W
- $T_A$  = ambient temperature in °C
- DCR = inductor DC parasitic resistance in ohm

The recommended operating junction temperature of the LMR23625 is 125°C.  $R_{\theta JA}$  is highly related to PCB size and layout, as well as environmental factors such as heat sinking and air flow.

## 10.5 Feedback Resistors

To reduce noise sensitivity of the output voltage feedback path, it is important to place the resistor divider and CFF close to the FB pin, rather than close to the load. The FB pin is the input to the error amplifier, so it is a high impedance node and very sensitive to noise. Placing the resistor divider and CFF closer to the FB pin reduces the trace length of FB signal and reduces noise coupling. The output node is a low impedance node, so the trace from  $V_{OUT}$  to the resistor divider can be long if short path is not available.

If voltage accuracy at the load is important, make sure voltage sense is made at the load. Doing so corrects for voltage drops along the traces and provide the best output accuracy. Route the voltage sense trace from the load to the feedback resistor divider away from the SW node path and the inductor to avoid contaminating the feedback signal with switch noise, while also minimizing the trace length. This is most important when high-value resistors are used to set the output voltage. TI recommends routing the voltage sense trace and place the resistor divider on a different layer than the inductor and SW node path, such that there is a ground plane in between the feedback trace and inductor/SW node polygon. This provides further shielding for the voltage feedback path from EMI noises.

## 11 Device and Documentation Support

### 11.1 Device Support

#### 11.1.1 Development Support

##### 11.1.1.1 Custom Design With WEBENCH® Tools

[Click here](#) to create a custom design using the LMR23625 device with the WEBENCH® Power Designer.

1. Start by entering the input voltage ( $V_{IN}$ ), output voltage ( $V_{OUT}$ ), and output current ( $I_{OUT}$ ) requirements.
2. Optimize the design for key parameters such as efficiency, footprint, and cost using the optimizer dial.
3. Compare the generated design with other possible solutions from Texas Instruments.

The WEBENCH Power Designer provides a customized schematic along with a list of materials with real-time pricing and component availability.

In most cases, these actions are available:

- Run electrical simulations to see important waveforms and circuit performance
- Run thermal simulations to understand board thermal performance
- Export customized schematic and layout into popular CAD formats
- Print PDF reports for the design, and share the design with colleagues

Get more information about WEBENCH tools at [www.ti.com/WEBENCH](http://www.ti.com/WEBENCH).

### 11.2 Receiving Notification of Documentation Updates

To receive notification of documentation updates, navigate to the device product folder on [ti.com](http://ti.com). Click on *Subscribe to updates* to register and receive a weekly digest of any product information that has changed. For change details, review the revision history included in any revised document.

### 11.3 Support Resources

[TI E2E™ support forums](#) are an engineer's go-to source for fast, verified answers and design help — straight from the experts. Search existing answers or ask your own question to get the quick design help you need.

Linked content is provided "AS IS" by the respective contributors. They do not constitute TI specifications and do not necessarily reflect TI's views; see TI's [Terms of Use](#).

### 11.4 Trademarks

PowerPAD™ is a trademark of TI.

TI E2E™ is a trademark of Texas Instruments.

SIMPLE SWITCHER® and WEBENCH® are registered trademarks of Texas Instruments.

are registered trademarks of TI.

所有商标均为其各自所有者的财产。

### 11.5 Electrostatic Discharge Caution



This integrated circuit can be damaged by ESD. Texas Instruments recommends that all integrated circuits be handled with appropriate precautions. Failure to observe proper handling and installation procedures can cause damage.

ESD damage can range from subtle performance degradation to complete device failure. Precision integrated circuits may be more susceptible to damage because very small parametric changes could cause the device not to meet its published specifications.

### 11.6 Glossary

[TI Glossary](#) This glossary lists and explains terms, acronyms, and definitions.

## 12 Mechanical, Packaging, and Orderable Information

The following pages include mechanical, packaging, and orderable information. This information is the most current data available for the designated devices. This data is subject to change without notice and revision of this document. For browser-based versions of this data sheet, refer to the left-hand navigation.

## PACKAGING INFORMATION

| Orderable Device | Status<br>(1) | Package Type | Package Drawing | Pins | Package Qty | Eco Plan<br>(2) | Lead finish/<br>Ball material<br>(6) | MSL Peak Temp<br>(3) | Op Temp (°C) | Device Marking<br>(4/5) | Samples                 |
|------------------|---------------|--------------|-----------------|------|-------------|-----------------|--------------------------------------|----------------------|--------------|-------------------------|-------------------------|
| LMR23625CDDA     | ACTIVE        | SO PowerPAD  | DDA             | 8    | 75          | RoHS & Green    | NIPDAU   NIPDAUAG                    | Level-2-260C-1 YEAR  | -40 to 125   | F25C                    | <a href="#">Samples</a> |
| LMR23625CDDAR    | ACTIVE        | SO PowerPAD  | DDA             | 8    | 2500        | RoHS & Green    | NIPDAU   NIPDAUAG                    | Level-2-260C-1 YEAR  | -40 to 125   | F25C                    | <a href="#">Samples</a> |
| LMR23625CFDDA    | ACTIVE        | SO PowerPAD  | DDA             | 8    | 75          | RoHS & Green    | NIPDAU   NIPDAUAG                    | Level-2-260C-1 YEAR  | -40 to 125   | F25CF                   | <a href="#">Samples</a> |
| LMR23625CFDDAR   | ACTIVE        | SO PowerPAD  | DDA             | 8    | 2500        | RoHS & Green    | NIPDAU   NIPDAUAG                    | Level-2-260C-1 YEAR  | -40 to 125   | F25CF                   | <a href="#">Samples</a> |
| LMR23625CFPDRRR  | ACTIVE        | WSON         | DRR             | 12   | 3000        | RoHS & Green    | SN                                   | Level-2-260C-1 YEAR  | -40 to 125   | 3625P                   | <a href="#">Samples</a> |
| LMR23625CFPDRRT  | ACTIVE        | WSON         | DRR             | 12   | 250         | RoHS & Green    | SN                                   | Level-2-260C-1 YEAR  | -40 to 125   | 3625P                   | <a href="#">Samples</a> |

(1) The marketing status values are defined as follows:

**ACTIVE:** Product device recommended for new designs.

**LIFEBUY:** TI has announced that the device will be discontinued, and a lifetime-buy period is in effect.

**NRND:** Not recommended for new designs. Device is in production to support existing customers, but TI does not recommend using this part in a new design.

**PREVIEW:** Device has been announced but is not in production. Samples may or may not be available.

**OBSOLETE:** TI has discontinued the production of the device.

(2) **RoHS:** TI defines "RoHS" to mean semiconductor products that are compliant with the current EU RoHS requirements for all 10 RoHS substances, including the requirement that RoHS substance do not exceed 0.1% by weight in homogeneous materials. Where designed to be soldered at high temperatures, "RoHS" products are suitable for use in specified lead-free processes. TI may reference these types of products as "Pb-Free".

**RoHS Exempt:** TI defines "RoHS Exempt" to mean products that contain lead but are compliant with EU RoHS pursuant to a specific EU RoHS exemption.

**Green:** TI defines "Green" to mean the content of Chlorine (Cl) and Bromine (Br) based flame retardants meet JS709B low halogen requirements of <=1000ppm threshold. Antimony trioxide based flame retardants must also meet the <=1000ppm threshold requirement.

(3) MSL, Peak Temp. - The Moisture Sensitivity Level rating according to the JEDEC industry standard classifications, and peak solder temperature.

(4) There may be additional marking, which relates to the logo, the lot trace code information, or the environmental category on the device.

(5) Multiple Device Markings will be inside parentheses. Only one Device Marking contained in parentheses and separated by a "~" will appear on a device. If a line is indented then it is a continuation of the previous line and the two combined represent the entire Device Marking for that device.

(6) Lead finish/Ball material - Orderable Devices may have multiple material finish options. Finish options are separated by a vertical ruled line. Lead finish/Ball material values may wrap to two lines if the finish value exceeds the maximum column width.

**Important Information and Disclaimer:** The information provided on this page represents TI's knowledge and belief as of the date that it is provided. TI bases its knowledge and belief on information provided by third parties, and makes no representation or warranty as to the accuracy of such information. Efforts are underway to better integrate information from third parties. TI has taken and continues to take reasonable steps to provide representative and accurate information but may not have conducted destructive testing or chemical analysis on incoming materials and chemicals. TI and TI suppliers consider certain information to be proprietary, and thus CAS numbers and other limited information may not be available for release.

In no event shall TI's liability arising out of such information exceed the total purchase price of the TI part(s) at issue in this document sold by TI to Customer on an annual basis.

**OTHER QUALIFIED VERSIONS OF LMR23625 :**

- Automotive : [LMR23625-Q1](#)

NOTE: Qualified Version Definitions:

- Automotive - Q100 devices qualified for high-reliability automotive applications targeting zero defects



**TAPE AND REEL INFORMATION**

**QUADRANT ASSIGNMENTS FOR PIN 1 ORIENTATION IN TAPE**


\*All dimensions are nominal

| Device          | Package Type | Package Drawing | Pins | SPQ  | Reel Diameter (mm) | Reel Width W1 (mm) | A0 (mm) | B0 (mm) | K0 (mm) | P1 (mm) | W (mm) | Pin1 Quadrant |
|-----------------|--------------|-----------------|------|------|--------------------|--------------------|---------|---------|---------|---------|--------|---------------|
| LMR23625CFPDRRR | WSON         | DRR             | 12   | 3000 | 330.0              | 12.4               | 3.3     | 3.3     | 1.0     | 8.0     | 12.0   | Q2            |
| LMR23625CFPDRRT | WSON         | DRR             | 12   | 250  | 180.0              | 12.4               | 3.3     | 3.3     | 1.0     | 8.0     | 12.0   | Q2            |

## TAPE AND REEL BOX DIMENSIONS



\*All dimensions are nominal

| Device          | Package Type | Package Drawing | Pins | SPQ  | Length (mm) | Width (mm) | Height (mm) |
|-----------------|--------------|-----------------|------|------|-------------|------------|-------------|
| LMR23625CFPDRRR | WSON         | DRR             | 12   | 3000 | 367.0       | 367.0      | 38.0        |
| LMR23625CFPDRRT | WSON         | DRR             | 12   | 250  | 213.0       | 191.0      | 35.0        |

**TUBE**


\*All dimensions are nominal

| Device        | Package Name | Package Type | Pins | SPQ | L (mm) | W (mm) | T (μm) | B (mm) |
|---------------|--------------|--------------|------|-----|--------|--------|--------|--------|
| LMR23625CDDA  | DDA          | HSOIC        | 8    | 75  | 517    | 7.87   | 635    | 4.25   |
| LMR23625CDDA  | DDA          | HSOIC        | 8    | 75  | 507    | 8      | 3940   | 4.32   |
| LMR23625CFDDA | DDA          | HSOIC        | 8    | 75  | 507    | 8      | 3940   | 4.32   |
| LMR23625CFDDA | DDA          | HSOIC        | 8    | 75  | 517    | 7.87   | 635    | 4.25   |

# DDA0008B



# PACKAGE OUTLINE

PowerPAD™ SOIC - 1.7 mm max height

PLASTIC SMALL OUTLINE



4214849/A 08/2016

## NOTES:

PowerPAD is a trademark of Texas Instruments.

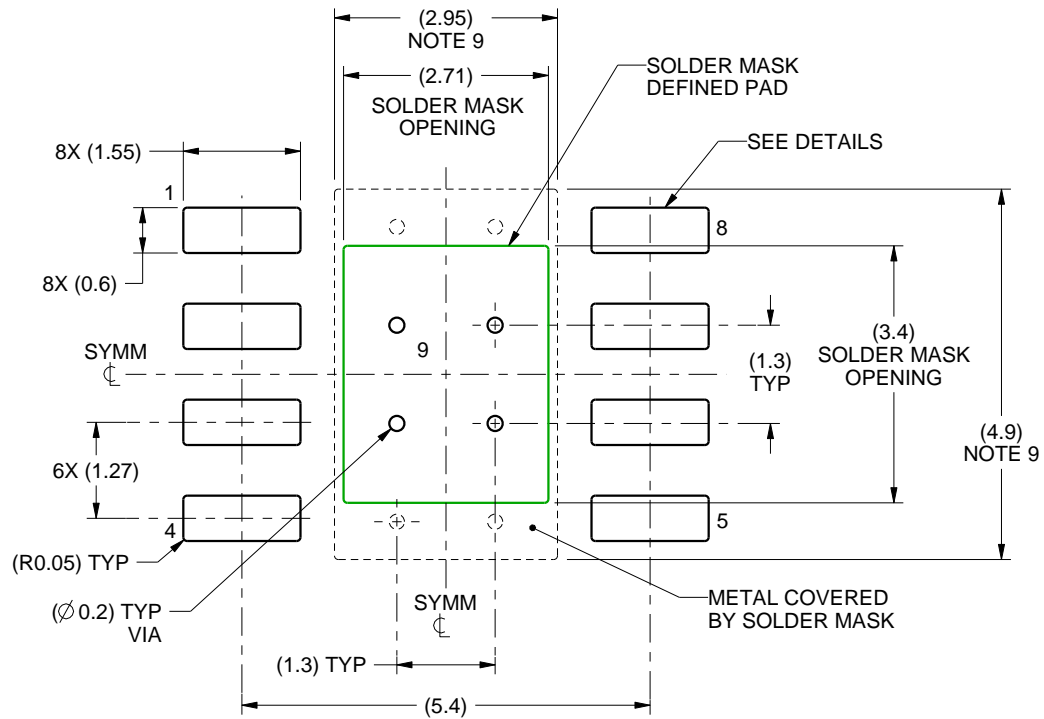
1. All linear dimensions are in millimeters. Any dimensions in parenthesis are for reference only. Dimensioning and tolerancing per ASME Y14.5M.
2. This drawing is subject to change without notice.
3. This dimension does not include mold flash, protrusions, or gate burrs. Mold flash, protrusions, or gate burrs shall not exceed 0.15 mm per side.
4. This dimension does not include interlead flash. Interlead flash shall not exceed 0.25 mm per side.
5. Reference JEDEC registration MS-012.

# EXAMPLE BOARD LAYOUT

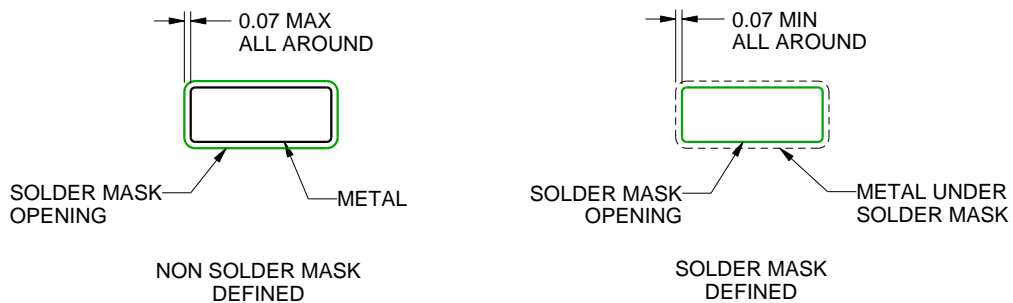
DDA0008B

PowerPAD™ SOIC - 1.7 mm max height

PLASTIC SMALL OUTLINE



LAND PATTERN EXAMPLE  
SCALE:10X



SOLDER MASK DETAILS  
PADS 1-8

4214849/A 08/2016

NOTES: (continued)

6. Publication IPC-7351 may have alternate designs.
7. Solder mask tolerances between and around signal pads can vary based on board fabrication site.
8. This package is designed to be soldered to a thermal pad on the board. For more information, see Texas Instruments literature numbers SLMA002 ([www.ti.com/lit/slma002](http://www.ti.com/lit/slma002)) and SLMA004 ([www.ti.com/lit/slma004](http://www.ti.com/lit/slma004)).
9. Size of metal pad may vary due to creepage requirement.
10. Vias are optional depending on application, refer to device data sheet. If any vias are implemented, refer to their locations shown on this view. It is recommended that vias under paste be filled, plugged or tented.

# EXAMPLE STENCIL DESIGN

DDA0008B

PowerPAD™ SOIC - 1.7 mm max height

PLASTIC SMALL OUTLINE



SOLDER PASTE EXAMPLE  
EXPOSED PAD  
100% PRINTED SOLDER COVERAGE BY AREA  
SCALE:10X

| STENCIL THICKNESS | SOLDER STENCIL OPENING |
|-------------------|------------------------|
| 0.1               | 3.03 X 3.80            |
| 0.125             | 2.71 X 3.40 (SHOWN)    |
| 0.150             | 2.47 X 3.10            |
| 0.175             | 2.29 X 2.87            |

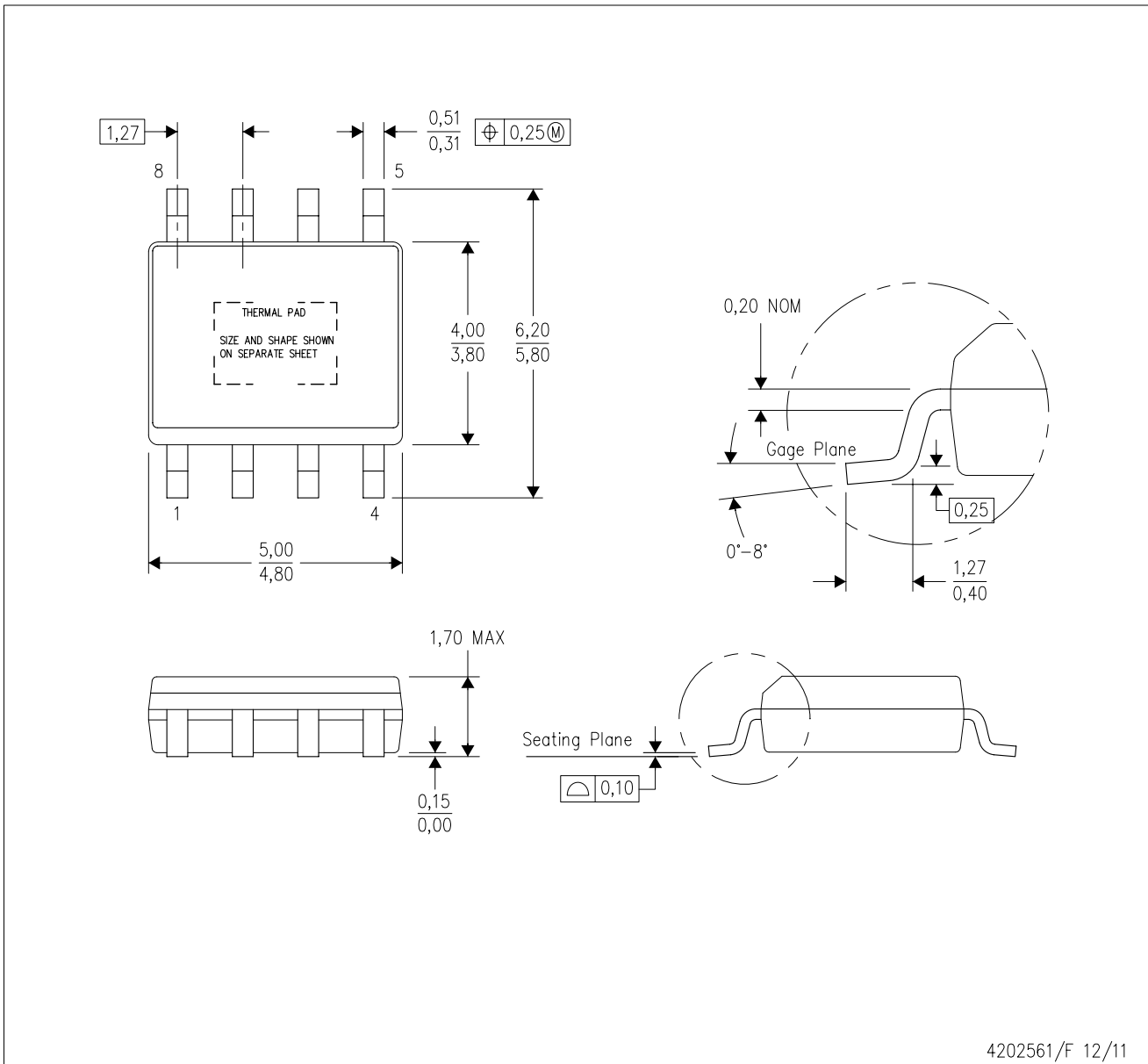
4214849/A 08/2016

NOTES: (continued)

11. Laser cutting apertures with trapezoidal walls and rounded corners may offer better paste release. IPC-7525 may have alternate design recommendations.
12. Board assembly site may have different recommendations for stencil design.

DDA (R-PDSO-G8)

PowerPAD™ PLASTIC SMALL-OUTLINE



4202561/F 12/11

- NOTES:
- A. All linear dimensions are in millimeters. Dimensioning and tolerancing per ASME Y14.5-1994.
  - B. This drawing is subject to change without notice.
  - C. Body dimensions do not include mold flash or protrusion not to exceed 0,15.
  - D. This package is designed to be soldered to a thermal pad on the board. Refer to Technical Brief, PowerPad Thermally Enhanced Package, Texas Instruments Literature No. SLMA002 for information regarding recommended board layout. This document is available at [www.ti.com](http://www.ti.com) <<http://www.ti.com>>.
  - E. See the additional figure in the Product Data Sheet for details regarding the exposed thermal pad features and dimensions.
  - F. This package complies to JEDEC MS-012 variation BA

PowerPAD is a trademark of Texas Instruments.

DDA (R-PDSO-G8)

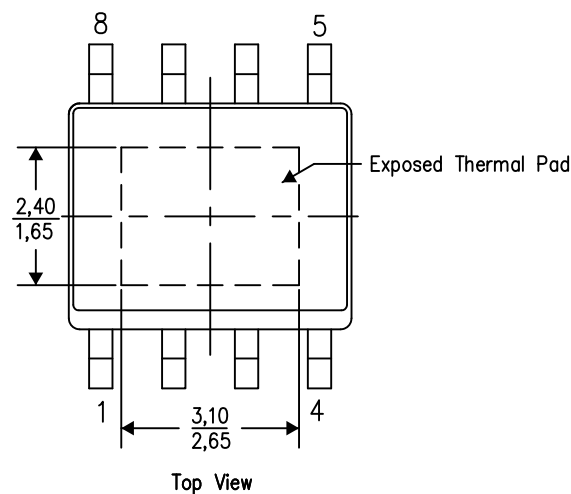
PowerPAD™ PLASTIC SMALL OUTLINE

## THERMAL INFORMATION

This PowerPAD™ package incorporates an exposed thermal pad that is designed to be attached to a printed circuit board (PCB). The thermal pad must be soldered directly to the PCB. After soldering, the PCB can be used as a heatsink. In addition, through the use of thermal vias, the thermal pad can be attached directly to the appropriate copper plane shown in the electrical schematic for the device, or alternatively, can be attached to a special heatsink structure designed into the PCB. This design optimizes the heat transfer from the integrated circuit (IC).

For additional information on the PowerPAD package and how to take advantage of its heat dissipating abilities, refer to Technical Brief, PowerPAD Thermally Enhanced Package, Texas Instruments Literature No. SLMA002 and Application Brief, PowerPAD Made Easy, Texas Instruments Literature No. SLMA004. Both documents are available at [www.ti.com](http://www.ti.com).

The exposed thermal pad dimensions for this package are shown in the following illustration.



Exposed Thermal Pad Dimensions

4206322-6/L 05/12

NOTE: A. All linear dimensions are in millimeters

PowerPAD is a trademark of Texas Instruments





4208951-6/D 04/12

- NOTES:
- A. All linear dimensions are in millimeters.
  - B. This drawing is subject to change without notice.
  - C. Publication IPC-7351 is recommended for alternate designs.
  - D. This package is designed to be soldered to a thermal pad on the board. Refer to Technical Brief, PowerPad Thermally Enhanced Package, Texas Instruments Literature No. SLMA002, SLMA004, and also the Product Data Sheets for specific thermal information, via requirements, and recommended board layout. These documents are available at [www.ti.com](http://www.ti.com) <<http://www.ti.com>>. Publication IPC-7351 is recommended for alternate designs.
  - E. Laser cutting apertures with trapezoidal walls and also rounding corners will offer better paste release. Customers should contact their board assembly site for stencil design recommendations. Example stencil design based on a 50% volumetric metal load solder paste. Refer to IPC-7525 for other stencil recommendations.
  - F. Customers should contact their board fabrication site for solder mask tolerances between and around signal pads.

PowerPAD is a trademark of Texas Instruments.

## GENERIC PACKAGE VIEW

DRR 12

WSO - 0.8 mm max height

PLASTIC SMALL OUTLINE - NO LEAD



Images above are just a representation of the package family, actual package may vary.  
Refer to the product data sheet for package details.

4223490/A

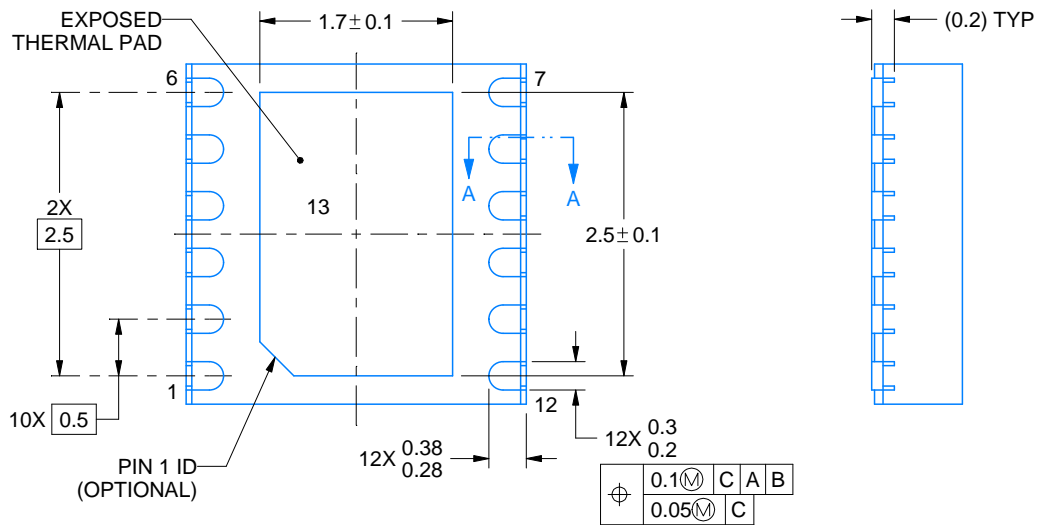
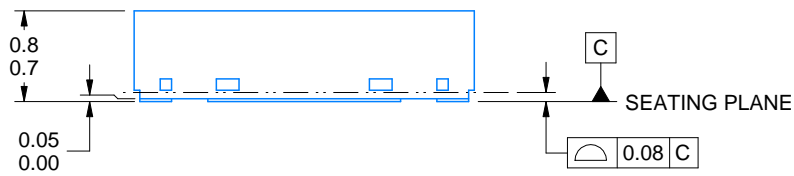
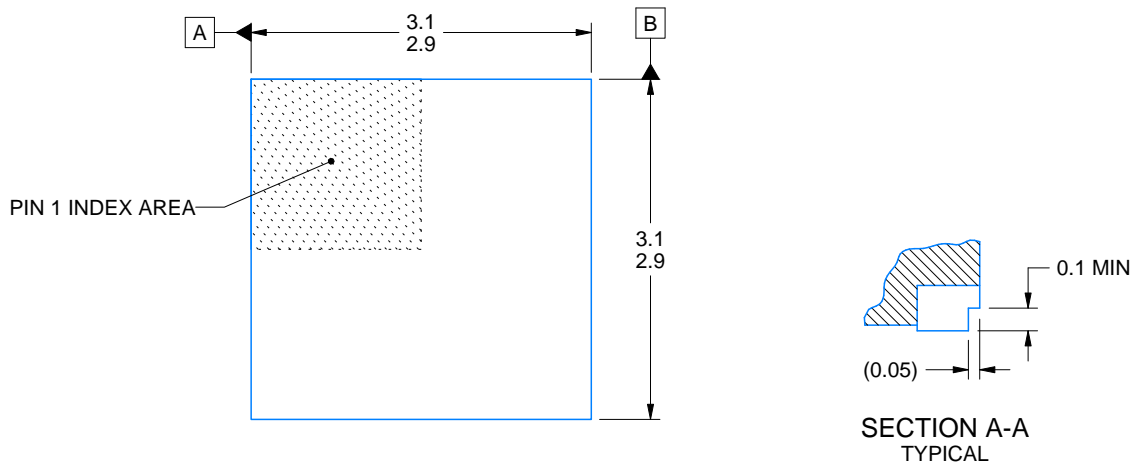
DRR0012D



# PACKAGE OUTLINE

WSON - 0.8 mm max height

PLASTIC SMALL OUTLINE - NO LEAD



4223146/D 10/2018

## NOTES:

1. All linear dimensions are in millimeters. Any dimensions in parenthesis are for reference only. Dimensioning and tolerancing per ASME Y14.5M.
2. This drawing is subject to change without notice.
3. The package thermal pad must be soldered to the printed circuit board for thermal and mechanical performance.





## 重要声明和免责声明

TI“按原样”提供技术和可靠性数据（包括数据表）、设计资源（包括参考设计）、应用或其他设计建议、网络工具、安全信息和其他资源，不保证没有瑕疵且不做任何明示或暗示的担保，包括但不限于对适销性、某特定用途方面的适用性或不侵犯任何第三方知识产权的暗示担保。

这些资源可供使用 TI 产品进行设计的熟练开发人员使用。您将自行承担以下全部责任：(1) 针对您的应用选择合适的 TI 产品，(2) 设计、验证并测试您的应用，(3) 确保您的应用满足相应标准以及任何其他功能安全、信息安全、监管或其他要求。

这些资源如有变更，恕不另行通知。TI 授权您仅可将这些资源用于研发本资源所述的 TI 产品的应用。严禁对这些资源进行其他复制或展示。您无权使用任何其他 TI 知识产权或任何第三方知识产权。您应全额赔偿因在这些资源的使用中对 TI 及其代表造成的任何索赔、损害、成本、损失和债务，TI 对此概不负责。

TI 提供的产品受 [TI 的销售条款](#) 或 [ti.com](#) 上其他适用条款/TI 产品随附的其他适用条款的约束。TI 提供这些资源并不会扩展或以其他方式更改 TI 针对 TI 产品发布的适用的担保或担保免责声明。

TI 反对并拒绝您可能提出的任何其他或不同的条款。

邮寄地址：Texas Instruments, Post Office Box 655303, Dallas, Texas 75265

Copyright © 2023，德州仪器 (TI) 公司

单击下面可查看定价，库存，交付和生命周期等信息

[>>TI\(德州仪器\)](#)