

TMS320VC5416

Fixed-Point Digital Signal Processor

Data Manual



PRODUCTION DATA information is current as of publication date. Products conform to specifications per the terms of the Texas Instruments standard warranty. Production processing does not necessarily include testing of all parameters.

Literature Number: SPRS095P
March 1999–Revised October 2008

Revision History

NOTE: Page numbers for previous revisions may differ from page numbers in the current version.

This data sheet revision history highlights the technical changes made to the SPRS095O device-specific data sheet to make it an SPRS095P revision.

Scope: This document has been reviewed for technical accuracy; the technical content is up-to-date as of the specified release date with the following corrections.

ADDITIONS/CHANGES/DELETIONS
<p>Table 2-2, Signal Descriptions:</p> <ul style="list-style-type: none">• Updated DESCRIPTION of $\overline{\text{TRST}}$• Added footnote about $\overline{\text{TRST}}$

Contents

Revision History	2
1 TMS320VC5416 Features	9
2 Introduction	10
2.1 Description	10
2.2 Pin Assignments	10
2.2.1 Terminal Assignments for the GGU Package	10
2.2.2 Pin Assignments for the PGE Package	12
2.2.3 Signal Descriptions	13
3 Functional Overview	17
3.1 Memory	17
3.1.1 Data Memory	17
3.1.2 Program Memory	18
3.1.3 Extended Program Memory	18
3.2 On-Chip ROM With Bootloader	18
3.3 On-Chip RAM	19
3.4 On-Chip Memory Security	19
3.5 Memory Map	20
3.5.1 Relocatable Interrupt Vector Table	21
3.6 On-Chip Peripherals	23
3.6.1 Software-Programmable Wait-State Generator	23
3.6.2 Programmable Bank-Switching	25
3.6.3 Bus Holders	26
3.7 Parallel I/O Ports	26
3.7.1 Enhanced 8-/16-Bit Host-Port Interface (HPI8/16)	27
3.7.2 HPI Nonmultiplexed Mode	28
3.8 Multichannel Buffered Serial Ports (McBSPs)	30
3.9 Hardware Timer	32
3.10 Clock Generator	32
3.11 Enhanced External Parallel Interface (XIO2)	34
3.12 DMA Controller	37
3.12.1 Features	37
3.12.2 DMA External Access	37
3.12.3 DMA Memory Maps	39
3.12.4 DMA Priority Level	40
3.12.5 DMA Source/Destination Address Modification	40
3.12.6 DMA in Autoinitialization Mode	41
3.12.7 DMA Transfer Counting	41
3.12.8 DMA Transfer in Doubleword Mode	41
3.12.9 DMA Channel Index Registers	42
3.12.10 DMA Interrupts	42
3.12.11 DMA Controller Synchronization Events	42
3.13 General-Purpose I/O Pins	43
3.13.1 McBSP Pins as General-Purpose I/O	43
3.13.2 HPI Data Pins as General-Purpose I/O	44
3.14 Device ID Register	44
3.15 Memory-Mapped Registers	45
3.16 McBSP Control Registers and Subaddresses	47
3.17 DMA Subbank Addressed Registers	48
3.18 Interrupts	50
4 Support	51

4.1	Documentation Support	51
4.2	Device and Development-Support Tool Nomenclature.....	52
5	Electrical Specifications	53
5.1	Absolute Maximum Ratings	53
5.2	Recommended Operating Conditions	53
5.3	Electrical Characteristics	54
5.3.1	Test Loading	54
5.3.2	Timing Parameter Symbology	55
5.3.3	Internal Oscillator With External Crystal.....	56
5.4	Clock Options	57
5.4.1	Divide-By-Two and Divide-By-Four Clock Options.....	57
5.4.2	Multiply-By-N Clock Option (PLL Enabled).....	59
5.5	Memory and Parallel I/O Interface Timing	60
5.5.1	Memory Read	60
5.5.2	Memory Write	63
5.5.3	I/O Read	64
5.5.4	I/O Write	65
5.5.5	Ready Timing for Externally Generated Wait States	66
5.5.6	HOLD and HOLDA Timings.....	71
5.5.7	Reset, \overline{BIO} , Interrupt, and $\overline{MP/\overline{MC}}$ Timings.....	73
5.5.8	Instruction Acquisition (\overline{IAQ}) and Interrupt Acknowledge (\overline{IACK}) Timings	75
5.5.9	External Flag (XF) and TOUT Timings	76
5.5.10	Multichannel Buffered Serial Port (McBSP) Timing.....	77
5.5.10.1	McBSP Transmit and Receive Timings	77
5.5.10.2	McBSP General-Purpose I/O Timing	80
5.5.10.3	McBSP as SPI Master or Slave Timing	81
5.5.11	Host-Port Interface Timing	85
5.5.11.1	HPI8 Mode	85
5.5.11.2	HPI16 Mode.....	89
6	Mechanical Data	92
6.1	Package Thermal Resistance Characteristics.....	92

List of Figures

2-1	144-Ball GGU MicroStar BGA™ (Bottom View)	10
2-2	144-Pin PGE Low-Profile Quad Flatpack (Top View)	12
3-1	TMS320VC5416 Functional Block Diagram.....	17
3-2	Program and Data Memory Map	20
3-3	Extended Program Memory Map	21
3-4	Process Mode Status Register	22
3-5	Software Wait-State Register (SWWSR) [Memory-Mapped Register (MMR) Address 0028h]	23
3-6	Software Wait-State Register (SWWSR) [Memory-Mapped Register (MMR) Address 0028h]	24
3-7	Bank-Switching Control Register BSCR)[MMR Address 0029h]	25
3-8	Host-Port Interface — Nonmultiplexed Mode	28
3-9	HPI Memory Map	29
3-10	Multichannel Control Register (MCR1)	31
3-11	Multichannel Control Register (MCR2)	31
3-12	Pin Control Register (PCR)	31
3-13	Nonconsecutive Memory Read and I/O Read Bus Sequence	34
3-14	Consecutive Memory Read Bus Sequence (n = 3 reads)	35
3-15	Memory Write and I/O Write Bus Sequence	36
3-16	DMA Transfer Mode Control Register (DMMCRn)	37
3-17	On-Chip DMA Memory Map for Program Space (DLAXS = 0 and SLAXS = 0).....	39
3-18	On-Chip DMA Memory Map for Data and IO Space (DLAXS = 0 and SLAXS = 0)	40
3-19	DMPREC Register	41
3-20	General-Purpose I/O Control Register (GPIOCR) [MMR Address 003Ch]	44
3-21	General-Purpose I/O Status Register (GPIOSR) [MMR Address 003Dh]	44
3-22	Device ID Register (CSIDR) [MMR Address 003Eh]	44
3-23	IFR and IMR Registers	50
5-1	Tester Pin Electronics	54
5-2	Internal Divide-By-Two Clock Option With External Crystal	56
5-3	External Divide-By-Two Clock Timing.....	58
5-4	Multiply-By-One Clock Timing.....	59
5-5	Nonconsecutive Mode Memory Reads	61
5-6	Consecutive Mode Memory Reads.....	62
5-7	Memory Write ($\overline{\text{MSTRB}} = 0$).....	63
5-8	Parallel I/O Port Read ($\overline{\text{IOSTRB}} = 0$)	64
5-9	Parallel I/O Port Write ($\overline{\text{IOSTRB}} = 0$).....	65
5-10	Memory Read With Externally Generated Wait States	67
5-11	Memory Write With Externally Generated Wait States	68
5-12	I/O Read With Externally Generated Wait States	69
5-13	I/O Write With Externally Generated Wait States	70
5-14	$\overline{\text{HOLD}}$ and $\overline{\text{HOLDA}}$ Timings (HM = 1).....	72

5-15	Reset and $\overline{\text{BIO}}$ Timings	73
5-16	Interrupt Timing	74
5-17	$\text{MP}/\overline{\text{MC}}$ Timing	74
5-18	Instruction Acquisition ($\overline{\text{IAQ}}$) and Interrupt Acknowledge ($\overline{\text{IACK}}$) Timings.....	75
5-19	External Flag (XF) Timing	76
5-20	TOUT Timing	76
5-21	McBSP Receive Timings	78
5-22	McBSP Transmit Timings.....	79
5-23	McBSP General-Purpose I/O Timings	80
5-24	McBSP Timing as SPI Master or Slave: $\text{CLKSTP} = 10\text{b}$, $\text{CLKXP} = 0$	81
5-25	McBSP Timing as SPI Master or Slave: $\text{CLKSTP} = 11\text{b}$, $\text{CLKXP} = 0$	82
5-26	McBSP Timing as SPI Master or Slave: $\text{CLKSTP} = 10\text{b}$, $\text{CLKXP} = 1$	83
5-27	McBSP Timing as SPI Master or Slave: $\text{CLKSTP} = 11\text{b}$, $\text{CLKXP} = 1$	84
5-28	Using $\overline{\text{HDS}}$ to Control Accesses ($\overline{\text{HCS}}$ Always Low).....	87
5-29	Using $\overline{\text{HCS}}$ to Control Accesses	88
5-30	$\overline{\text{HINT}}$ Timing	88
5-31	GPIOx Timings	88
5-32	Nonmultiplexed Read Timings	90
5-33	Nonmultiplexed Write Timings	91
5-34	HRDY Relative to CLKOUT	91

List of Tables

2-1	Terminal Assignments for the TMS320VC5416GGU (144-Pin BGA Package)	11
2-2	Signal Descriptions	13
3-1	Standard On-Chip ROM Layout	19
3-2	Processor Mode Status (PMST) Register Bit Fields	22
3-3	Software Wait-State Register (SWWSR) Bit Fields	24
3-4	Software Wait-State Control Register (SWCR) Bit Fields	24
3-5	Bank-Switching Control Register (BSCR) Fields.....	25
3-6	Bus Holder Control Bits	26
3-7	Sample Rate Input Clock Selection	32
3-8	Clock Mode Settings at Reset	33
3-9	DMD Section of the DMMCRn Register	38
3-10	DMA Reload Register Selection	41
3-11	DMA Interrupts	42
3-12	DMA Synchronization Events	42
3-13	DMA Channel Interrupt Selection.....	43
3-14	Device ID Register (CSIDR) Bits.....	44
3-15	CPU Memory-Mapped Registers.....	45
3-16	Peripheral Memory-Mapped Registers for Each DSP Subsystem	45
3-17	McBSP Control Registers and Subaddresses.....	47
3-18	DMA Subbank Addressed Registers	48
3-19	Interrupt Locations and Priorities.....	50
5-1	Input Clock Frequency Characteristics	56
5-2	Clock Mode Pin Settings for the Divide-By-2 and By Divide-By-4 Clock Options.....	57
5-3	Divide-By-2 and Divide-By-4 Clock Options Timing Requirements	57
5-4	Divide-By-2 and Divide-By-4 Clock Options Switching Characteristics.....	57
5-5	Multiply-By-N Clock Option Timing Requirements	59
5-6	Multiply-By-N Clock Option Switching Characteristics	59
5-7	Memory Read Timing Requirements	60
5-8	Memory Read Switching Characteristics	60
5-9	Memory Write Switching Characteristics	63
5-10	I/O Read Timing Requirements	64
5-11	I/O Read Switching Characteristics	64
5-12	I/O Write Switching Characteristics.....	65
5-13	Ready Timing Requirements for Externally Generated Wait States	66
5-14	Ready Switching Characteristics for Externally Generated Wait States.....	66
5-15	$\overline{\text{HOLD}}$ and $\overline{\text{HOLDA}}$ Timing Requirements	71
5-16	$\overline{\text{HOLD}}$ and $\overline{\text{HOLDA}}$ Switching Characteristics	71
5-17	Reset, $\overline{\text{BIO}}$, Interrupt, and $\overline{\text{MP/MC}}$ Timing Requirements	73
5-18	Instruction Acquisition ($\overline{\text{IAQ}}$) and Interrupt Acknowledge ($\overline{\text{IACK}}$) Switching Characteristics.....	75

TMS320VC5416

Fixed-Point Digital Signal Processor



SPRS095P–MARCH 1999–REVISED OCTOBER 2008

www.ti.com

5-19	External Flag (XF) and TOUT Switching Characteristics.....	76
5-20	McBSP Transmit and Receive Timing Requirements.....	77
5-21	McBSP Transmit and Receive Switching Characteristics	78
5-22	McBSP General-Purpose I/O Timing Requirements	80
5-23	McBSP General-Purpose I/O Switching Characteristics	80
5-24	McBSP as SPI Master or Slave Timing Requirements (CLKSTP = 10b, CLKXP = 0)	81
5-25	McBSP as SPI Master or Slave Switching Characteristics (CLKSTP = 10b, CLKXP = 0).....	81
5-26	McBSP as SPI Master or Slave Timing Requirements (CLKSTP = 11b, CLKXP = 0)	82
5-27	McBSP as SPI Master or Slave Switching Characteristics (CLKSTP = 11b, CLKXP = 0).....	82
5-28	McBSP as SPI Master or Slave Timing Requirements (CLKSTP = 10b, CLKXP = 1)	83
5-29	McBSP as SPI Master or Slave Switching Characteristics (CLKSTP = 10b, CLKXP = 1).....	83
5-30	McBSP as SPI Master or Slave Timing Requirements (CLKSTP = 11b, CLKXP = 1)	84
5-31	McBSP as SPI Master or Slave Switching Characteristics (CLKSTP = 11b, CLKXP = 1).....	84
5-32	HPI8 Mode Timing Requirements	85
5-33	HPI8 Mode Switching Characteristics	86
5-34	HPI16 Mode Timing Requirements.....	89
5-35	HPI16 Mode Switching Characteristics	90
6-1	Thermal Resistance Characteristics	92

1 TMS320VC5416 Features

- **Advanced Multibus Architecture With Three Separate 16-Bit Data Memory Buses and One Program Memory Bus**
- **40-Bit Arithmetic Logic Unit (ALU) Including a 40-Bit Barrel Shifter and Two Independent 40-Bit Accumulators**
- **17- × 17-Bit Parallel Multiplier Coupled to a 40-Bit Dedicated Adder for Non-Pipelined Single-Cycle Multiply/Accumulate (MAC) Operation**
- **Compare, Select, and Store Unit (CSSU) for the Add/Compare Selection of the Viterbi Operator**
- **Exponent Encoder to Compute an Exponent Value of a 40-Bit Accumulator Value in a Single Cycle**
- **Two Address Generators With Eight Auxiliary Registers and Two Auxiliary Register Arithmetic Units (ARAUs)**
- **Data Bus With a Bus Holder Feature**
- **Extended Addressing Mode for 8M × 16-Bit Maximum Addressable External Program Space**
- **128K × 16-Bit On-Chip RAM Composed of:**
 - **Eight Blocks of 8K × 16-Bit On-Chip Dual-Access Program/Data RAM**
 - **Eight Blocks of 8K × 16-Bit On-Chip Single-Access Program RAM**
- **16K × 16-Bit On-Chip ROM Configured for Program Memory**
- **Enhanced External Parallel Interface (XIO2)**
- **Single-Instruction-Repeat and Block-Repeat Operations for Program Code**
- **Block-Memory-Move Instructions for Better Program and Data Management**
- **Instructions With a 32-Bit Long Word Operand**
- **Instructions With Two- or Three-Operand Reads**
- **Arithmetic Instructions With Parallel Store and Parallel Load**
- **Conditional Store Instructions**
- **Fast Return From Interrupt**
- **On-Chip Peripherals**
 - **Software-Programmable Wait-State Generator and Programmable Bank-Switching**
 - **On-Chip Programmable Phase-Locked Loop (PLL) Clock Generator With External Clock Source**
 - **One 16-Bit Timer**
 - **Six-Channel Direct Memory Access (DMA) Controller**
 - **Three Multichannel Buffered Serial Ports (McBSPs)**
 - **8/16-Bit Enhanced Parallel Host-Port Interface (HPI8/16)**
- **Power Consumption Control With IDLE1, IDLE2, and IDLE3 Instructions With Power-Down Modes**
- **CLKOUT Off Control to Disable CLKOUT**
- **On-Chip Scan-Based Emulation Logic, IEEE Std 1149.1 (JTAG) Boundary Scan Logic⁽¹⁾**
- **144-Pin Ball Grid Array (BGA)(GGU Suffix)**
- **144-Pin Low-Profile Quad Flatpack (LQFP)(PGE Suffix)**
- **6.25-ns Single-Cycle Fixed-Point Instruction Execution Time (160 MIPS)**
- **8.33-ns Single-Cycle Fixed-Point Instruction Execution Time (120 MIPS)**
- **3.3-V I/O Supply Voltage (160 and 120 MIPS)**
- **1.6-V Core Supply Voltage (160 MIPS)**
- **1.5-V Core Supply Voltage (120 MIPS)**

(1) IEEE Standard 1149.1-1990 Standard-Test-Access Port and Boundary Scan Architecture

TMS320C54x, TMS320 are trademarks of Texas Instruments.
All other trademarks are the property of their respective owners.

PRODUCTION DATA information is current as of publication date.
Products conform to specifications per the terms of the Texas
Instruments standard warranty. Production processing does not
necessarily include testing of all parameters.

Copyright © 1999–2008, Texas Instruments Incorporated

2 Introduction

This section describes the main features of the TMS320VC5416, lists the pin assignments, and describes the function of each pin. This data manual also provides a detailed description section, electrical specifications, parameter measurement information, and mechanical data about the available packaging.

NOTE

This data manual is designed to be used in conjunction with the *TMS320C54x™ DSP Functional Overview* (literature number SPRU307).

2.1 Description

The TMS320VC5416 fixed-point, digital signal processor (DSP) (hereafter referred to as the device unless otherwise specified) is based on an advanced modified Harvard architecture that has one program memory bus and three data memory buses. This processor provides an arithmetic logic unit (ALU) with a high degree of parallelism, application-specific hardware logic, on-chip memory, and additional on-chip peripherals. The basis of the operational flexibility and speed of this DSP is a highly specialized instruction set.

Separate program and data spaces allow simultaneous access to program instructions and data, providing a high degree of parallelism. Two read operations and one write operation can be performed in a single cycle. Instructions with parallel store and application-specific instructions can fully utilize this architecture. In addition, data can be transferred between data and program spaces. Such parallelism supports a powerful set of arithmetic, logic, and bit-manipulation operations that can all be performed in a single machine cycle. The device also includes the control mechanisms to manage interrupts, repeated operations, and function calls.

2.2 Pin Assignments

Figure 2-1 illustrates the ball locations for the 144-pin ball grid array (BGA) package and is used in conjunction with Table 2-1 to locate signal names and ball grid numbers. Figure 2-2 provides the pin assignments for the 144-pin low-profile quad flatpack (LQFP) package.

2.2.1 Terminal Assignments for the GGU Package

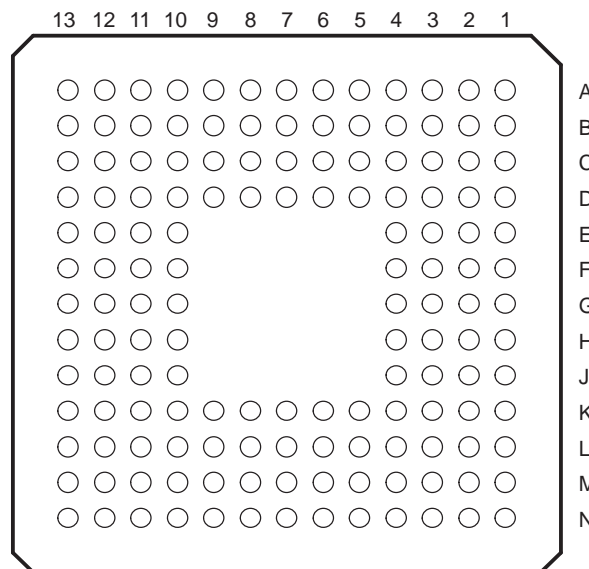


Figure 2-1. 144-Ball GGU MicroStar BGA™ (Bottom View)

Table 2-1 lists each signal name and BGA ball number for the 144-pin TMS320VC5416GGU package. Table 2-2 lists each terminal name, terminal function, and operating modes for the TMS320VC5416. In Table 2-1, DV_{DD} is the power supply for the I/O pins while CV_{DD} is the power supply for the core CPU.

Table 2-1. Terminal Assignments for the TMS320VC5416GGU (144-Pin BGA Package)

SIGNAL QUADRANT 1	BGA BALL #	SIGNAL QUADRANT 2	BGA BALL #	SIGNAL QUADRANT 3	BGA BALL #	SIGNAL QUADRANT 4	BGA BALL #
CV_{SS}	A1	BFSX1	N13	CV_{SS}	N1	A19	A13
A22	B1	BDX1	M13	BCLKR1	N2	A20	A12
CV_{SS}	C2	DV_{DD}	L12	HCNTL0	M3	CV_{SS}	B11
DV_{DD}	C1	DV_{SS}	L13	DV_{SS}	N3	DV_{DD}	A11
A10	D4	CLKMD1	K10	BCLKR0	K4	D6	D10
HD7	D3	CLKMD2	K11	BCLKR2	L4	D7	C10
A11	D2	CLKMD3	K12	BFSR0	M4	D8	B10
A12	D1	HPI16	K13	BFSR2	N4	D9	A10
A13	E4	HD2	J10	BDR0	K5	D10	D9
A14	E3	TOUT	J11	HCNTL1	L5	D11	C9
A15	E2	EMU0	J12	BDR2	M5	D12	B9
CV_{DD}	E1	$EMU1/\overline{OFF}$	J13	BCLKX0	N5	HD4	A9
\overline{HAS}	F4	TDO	H10	BCLKX2	K6	D13	D8
DV_{SS}	F3	TDI	H11	CV_{SS}	L6	D14	C8
CV_{SS}	F2	\overline{TRST}	H12	\overline{HINT}	M6	D15	B8
CV_{DD}	F1	TCK	H13	CV_{DD}	N6	HD5	A8
\overline{HCS}	G2	TMS	G12	BFSX0	M7	CV_{DD}	B7
$\overline{HR/W}$	G1	CV_{SS}	G13	BFSX2	N7	CV_{SS}	A7
READY	G3	CV_{DD}	G11	HRDY	L7	$\overline{HDS1}$	C7
\overline{PS}	G4	HPIENA	G10	DV_{DD}	K7	DV_{SS}	D7
\overline{DS}	H1	DV_{SS}	F13	DV_{SS}	N8	$\overline{HDS2}$	A6
\overline{IS}	H2	CLKOUT	F12	HD0	M8	DV_{DD}	B6
$\overline{R/W}$	H3	HD3	F11	BDX0	L8	A0	C6
\overline{MSTRB}	H4	X1	F10	BDX2	K8	A1	D6
\overline{IOSTRB}	J1	X2/CLKIN	E13	\overline{IACK}	N9	A2	A5
\overline{MSC}	J2	\overline{RS}	E12	HBIL	M9	A3	B5
XF	J3	D0	E11	\overline{NMI}	L9	HD6	C5
\overline{HOLDA}	J4	D1	E10	$\overline{INT0}$	K9	A4	D5
\overline{IAQ}	K1	D2	D13	$\overline{INT1}$	N10	A5	A4
\overline{HOLD}	K2	D3	D12	$\overline{INT2}$	M10	A6	B4
\overline{BIO}	K3	D4	D11	$\overline{INT3}$	L10	A7	C4
$\overline{MP/MC}$	L1	D5	C13	CV_{DD}	N11	A8	A3
DV_{DD}	L2	A16	C12	HD1	M11	A9	B3
CV_{SS}	L3	DV_{SS}	C11	CV_{SS}	L11	CV_{DD}	C3
BDR1	M1	A17	B13	BCLKX1	N12	A21	A2
BFSR1	M2	A18	B12	DV_{SS}	M12	DV_{SS}	B2

2.2.2 Pin Assignments for the PGE Package

The TMS320VC5416PGE 144-pin low-profile quad flatpack (LQFP) pin assignments are shown in Figure 2-2. DV_{DD} is the power supply for the I/O pins while CV_{DD} is the power supply for the core CPU. V_{SS} is the ground for both the I/O pins and the core CPU.

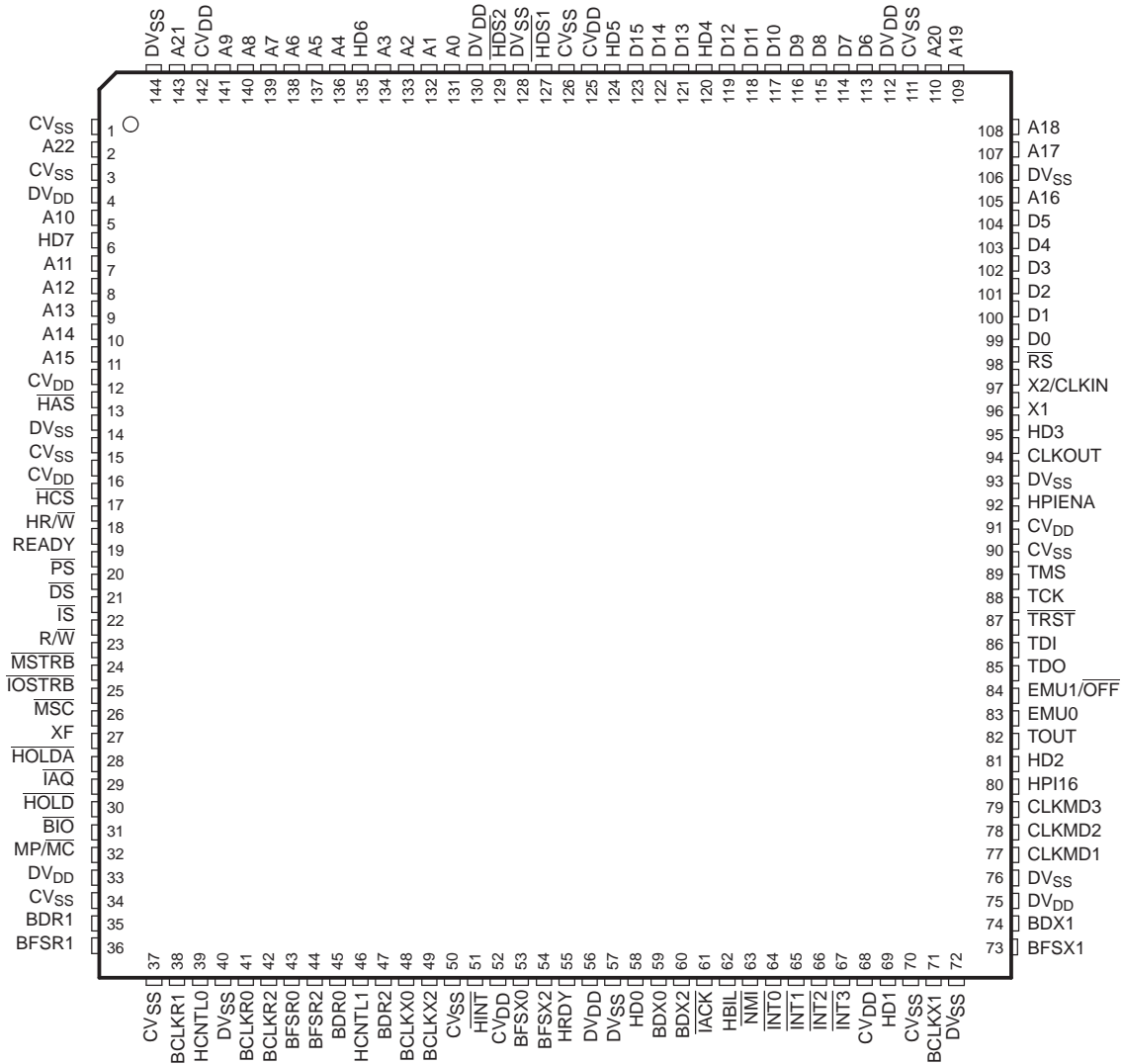


Figure 2-2. 144-Pin PGE Low-Profile Quad Flatpack (Top View)

2.2.3 Signal Descriptions

Table 2-2 lists each signal, function, and operating mode(s) grouped by function.

Table 2-2. Signal Descriptions

TERMINAL NAME	I/O ⁽¹⁾	DESCRIPTION
DATA SIGNALS		
A22 (MSB), A21, A20, A19, A18, A17, A16, A15, A14, A13, A12, A11, A10, A9, A8, A7, A6, A5, A4, A3, A2, A1, A0 (LSB)	I/O/Z ⁽²⁾⁽³⁾	Parallel address bus A22 [most significant bit (MSB)] through A0 [least significant bit (LSB)]. The sixteen LSB lines, A0 to A15, are multiplexed to address external memory (program, data) or I/O. The seven MSB lines, A16 to A22, address external program space memory. A22-A0 is placed in the high-impedance state in the hold mode. A22-A0 also goes into the high-impedance state when $\overline{\text{OFF}}$ is low. A17-A0 are inputs in HPI16 mode. These pins can be used to address internal memory via the host-port interface (HPI) when the HPI16 pin is high. These pins also have Schmitt trigger inputs. The address bus has a bus holder feature that eliminates passive components and the power dissipation associated with them. The bus holder keeps the address bus at the previous logic level when the bus goes into a high-impedance state.
D15 (MSB), D14, D13, D12, D11, D10, D9, D8, D7, D6, D5, D4, D3, D2, D1, D0 (LSB)	I/O/Z ⁽²⁾⁽³⁾	Parallel data bus D15 (MSB) through D0 (LSB). D15-D0 is multiplexed to transfer data between the core CPU and external data/program memory or I/O devices or HPI in HPI16 mode (when HPI16 pin is high). D15-D0 is placed in the high-impedance state when not outputting data or when $\overline{\text{RS}}$ or $\overline{\text{HOLD}}$ is asserted. D15-D0 also goes into the high-impedance state when $\overline{\text{OFF}}$ is low. These pins also have Schmitt trigger inputs. The data bus has a bus holder feature that eliminates passive components and the power dissipation associated with them. The bus holder keeps the data bus at the previous logic level when the bus goes into the high-impedance state. The bus holders on the data bus can be enabled/disabled under software control.
INITIALIZATION, INTERRUPT AND RESET OPERATIONS		
$\overline{\text{IACK}}$	O/Z	Interrupt acknowledge signal. $\overline{\text{IACK}}$ indicates receipt of an interrupt and that the program counter is fetching the interrupt vector location designated by A15-A0. $\overline{\text{IACK}}$ also goes into the high-impedance state when $\overline{\text{OFF}}$ is low.
$\overline{\text{INT0}}^{(2)}$ $\overline{\text{INT1}}^{(2)}$ $\overline{\text{INT2}}^{(2)}$ $\overline{\text{INT3}}^{(2)}$	I	External user interrupt inputs. $\overline{\text{INT0}}-\overline{\text{INT3}}$ are maskable and are prioritized by the interrupt mask register (IMR) and the interrupt mode bit. $\overline{\text{INT0}}-\overline{\text{INT3}}$ can be polled and reset by way of the interrupt flag register (IFR).
$\overline{\text{NMI}}^{(2)}$	I	Nonmaskable interrupt. $\overline{\text{NMI}}$ is an external interrupt that cannot be masked by way of the INTM or the IMR. When NMI is activated, the processor traps to the appropriate vector location.
$\overline{\text{RS}}^{(2)}$	I	Reset. $\overline{\text{RS}}$ causes the digital signal processor (DSP) to terminate execution and forces the program counter to 0FF80h. When $\overline{\text{RS}}$ is brought to a high level, execution begins at location 0FF80h of program memory. $\overline{\text{RS}}$ affects various registers and status bits.
MP/ $\overline{\text{MC}}$	I	Microprocessor/microcomputer mode select. If active low at reset, microcomputer mode is selected, and the internal program ROM is mapped into the upper 16K words of program memory space. If the pin is driven high during reset, microprocessor mode is selected, and the on-chip ROM is removed from program space. This pin is only sampled at reset, and the MP/MC bit of the processor mode status (PMST) register can override the mode that is selected at reset.
MULTIPROCESSING SIGNALS		
$\overline{\text{BIO}}^{(2)}$	I	Branch control. A branch can be conditionally executed when $\overline{\text{BIO}}$ is active. If low, the processor executes the conditional instruction. The $\overline{\text{BIO}}$ condition is sampled during the decode phase of the pipeline for the XC instruction, and all other instructions sample $\overline{\text{BIO}}$ during the read phase of the pipeline.
XF	O/Z	External flag output (latched software-programmable signal). XF is set high by the SSBX XF instruction, set low by RSBX XF instruction or by loading ST1. XF is used for signaling other processors in multiprocessor configurations or used as a general-purpose output pin. XF goes into the high-impedance state when $\overline{\text{OFF}}$ is low, and is set high at reset.
MEMORY CONTROL SIGNALS		
$\overline{\text{DS}}$ $\overline{\text{PS}}$ $\overline{\text{IS}}$	O/Z	Data, program, and I/O space select signals. $\overline{\text{DS}}$, $\overline{\text{PS}}$, and $\overline{\text{IS}}$ are always high unless driven low for communicating to a particular external space. Active period corresponds to valid address information. $\overline{\text{DS}}$, $\overline{\text{PS}}$, and $\overline{\text{IS}}$ are placed into the high-impedance state in the hold mode; these signals also go into the high-impedance state when $\overline{\text{OFF}}$ is low.
$\overline{\text{MSTRB}}$	O/Z	Memory strobe signal. $\overline{\text{MSTRB}}$ is always high unless low-level asserted to indicate an external bus access to data or program memory. $\overline{\text{MSTRB}}$ is placed in the high-impedance state in the hold mode; it also goes into the high-impedance state when $\overline{\text{OFF}}$ is low.

(1) I = Input, O = Output, Z = High-impedance, S = Supply

(2) These pins have Schmitt trigger inputs.

(3) This pin has an internal bus holder controlled by way of the BSCR register.

Table 2-2. Signal Descriptions (continued)

TERMINAL NAME	I/O ⁽¹⁾	DESCRIPTION
READY	I	Data ready. READY indicates that an external device is prepared for a bus transaction to be completed. If the device is not ready (READY is low), the processor waits one cycle and checks READY again. Note that the processor performs ready detection if at least two software wait states are programmed. The READY signal is not sampled until the completion of the software wait states.
R/ \overline{W}	O/Z	Read/write signal. R/ \overline{W} indicates transfer direction during communication to an external device. R/ \overline{W} is normally in the read mode (high), unless it is asserted low when the DSP performs a write operation. R/ \overline{W} is placed in the high-impedance state in the hold mode; and it also goes into the high-impedance state when \overline{OFF} is low.
\overline{IOSTRB}	O/Z	I/O strobe signal. \overline{IOSTRB} is always high unless low-level asserted to indicate an external bus access to an I/O device. \overline{IOSTRB} is placed in the high-impedance state in the hold mode; it also goes into the high-impedance state when \overline{OFF} is low.
\overline{HOLD}	I	Hold input. \overline{HOLD} is asserted to request control of the address, data, and control lines. When acknowledged by the device, these lines go into the high-impedance state.
\overline{HOLDA}	O/Z	Hold acknowledge. \overline{HOLDA} indicates to the external circuitry that the processor is in a hold state and that the address, data, and control lines are in the high-impedance state, allowing them to be available to the external circuitry. \overline{HOLDA} also goes into the high-impedance state when \overline{OFF} is low. Figure 2-2 This pin is driven high during reset.
\overline{MSC}	O/Z	Microstate complete. \overline{MSC} indicates completion of all software wait states. When two or more software wait states are enabled, the \overline{MSC} pin goes active at the beginning of the first software wait state and goes inactive high at the beginning of the last software wait state. If connected to the READY input, \overline{MSC} forces one external wait state after the last internal wait state is completed. \overline{MSC} also goes into the high-impedance state when \overline{OFF} is low.
\overline{IAQ}	O/Z	Instruction acquisition signal. \overline{IAQ} is asserted (active low) when there is an instruction address on the address bus and goes into the high-impedance state when \overline{OFF} is low.
TIMER SIGNALS		
CLKOUT	O/Z	Clock output signal. CLKOUT can represent the machine-cycle rate of the CPU divided by 1, 2, 3, or 4 as configured in the bank-switching control register (BSCR). Following reset, CLKOUT represents the machine-cycle rate divided by 4.
CLKMD1 ⁽²⁾ CLKMD2 ⁽²⁾ CLKMD3 ⁽²⁾	I	Clock mode select signals. CLKMD1-CLKMD3 allow the selection and configuration of different clock modes such as crystal, external clock, and PLL mode. The external CLKMD1-CLKMD3 pins are sampled to determine the desired clock generation mode while \overline{RS} is low. Following reset, the clock generation mode can be reconfigured by writing to the internal clock mode register in software.
X2/CLKIN ⁽²⁾	I	Clock/oscillator input. If the internal oscillator is not being used, X2/CLKIN functions as the clock input. (This is revision-dependent, see Section 3.10 for additional information.)
X1	O	Output pin from the internal oscillator for the crystal. If the internal oscillator is not used, X1 should be left unconnected. X1 does not go into the high-impedance state when \overline{OFF} is low. (This is revision-dependent, see Section 3.10 for additional information.)
TOUT	O/Z	Timer output. TOUT signals a pulse when the on-chip timer counts down past zero. The pulse is one CLKOUT cycle wide. TOUT also goes into the high-impedance state when \overline{OFF} is low.
MULTICHANNEL BUFFERED SERIAL PORT 0 (McBSP #0), MULTICHANNEL BUFFERED SERIAL PORT 1 (McBSP #1), AND MULTICHANNEL BUFFERED SERIAL PORT 2 (McBSP #2) SIGNALS		
BCLKR0 ⁽²⁾ BCLKR1 ⁽²⁾ BCLKR2 ⁽²⁾	I/O/Z	Receive clock input. BCLKR can be configured as an input or an output; it is configured as an input following reset. BCLKR serves as the serial shift clock for the buffered serial port receiver.
BDR0, BDR1, BDR2	I	Serial data receive input
BFSR0, BFSR1, BFSR2	I/O/Z	Frame synchronization pulse for receive input. BFSR can be configured as an input or an output; it is configured as an input following reset. The BFSR pulse initiates the receive data process over BDR.
BCLKX0 ⁽²⁾ BCLKX1 ⁽²⁾ BCLKX2 ⁽²⁾	I/O/Z	Transmit clock. BCLKX serves as the serial shift clock for the McBSP transmitter. BCLKX can be configured as an input or an output, and is configured as an input following reset. BCLKX enters the high-impedance state when \overline{OFF} goes low.
BDX0, BDX1, BDX2	O/Z	Serial data transmit output. BDX is placed in the high-impedance state when not transmitting, when \overline{RS} is asserted, or when \overline{OFF} is low.
BFSX0, BFSX1, BFSX2	I/O/Z	Frame synchronization pulse for transmit input/output. The BFSX pulse initiates the data transmit process over BDX. BFSX can be configured as an input or an output, and is configured as an input following reset. BFSX goes into the high-impedance state when \overline{OFF} is low.

Table 2-2. Signal Descriptions (continued)

TERMINAL NAME	I/O ⁽¹⁾	DESCRIPTION
HOST-PORT INTERFACE SIGNALS		
HD0-HD7 ⁽²⁾⁽³⁾	I/O/Z	Parallel bidirectional data bus. The HPI data bus is used by a host device bus to exchange information with the HPI registers. These pins can also be used as general-purpose I/O pins. HD0-HD7 is placed in the high-impedance state when not outputting data or when $\overline{\text{OFF}}$ is low. The HPI data bus includes bus holders to reduce the static power dissipation caused by floating, unused pins. When the HPI data bus is not being driven by the device, the bus holders keep the pins at the previous logic level. The HPI data bus holders are disabled at reset and can be enabled/disabled via the HBH bit of the BSCR. These pins also have Schmitt trigger inputs.
HCNTL0 ⁽⁴⁾ HCNTL1 ⁽⁴⁾	I	Control inputs. HCNTL0 and HCNTL1 select a host access to one of the three HPI registers. The control inputs have internal pullups that are only enabled when HPIENA = 0. These pins are not used when HPI16 = 1.
HBIL ⁽⁴⁾	I	Byte identification. HBIL identifies the first or second byte of transfer. The HPIL input has an internal pullup resistor that is only enabled when HPIENA = 0. This pin is not used when HPI16 = 1.
$\overline{\text{HCS}}$ ^{(2) (4)}	I	Chip select. $\overline{\text{HCS}}$ is the select input for the HPI and must be driven low during accesses. The chip select input has an internal pullup resistor that is only enabled when HPIENA = 0.
$\overline{\text{HDS1}}$ ⁽²⁾⁽⁴⁾ $\overline{\text{HDS2}}$ ⁽²⁾⁽⁴⁾	I	Data strobe. $\overline{\text{HDS1}}$ and $\overline{\text{HDS2}}$ are driven by the host read and write strobes to control the transfer. The strobe inputs have internal pullup resistors that are only enabled when HPIENA = 0.
$\overline{\text{HAS}}$ ^{(2) (4)}	I	Address strobe. Host with multiplexed address and data pins requires $\overline{\text{HAS}}$ to latch the address in the HPIA register. $\overline{\text{HAS}}$ input has an internal pullup resistor that is only enabled when HPIENA = 0.
HR $\overline{\text{W}}$ ⁽⁴⁾	I	Read/write. HR $\overline{\text{W}}$ controls the direction of the HPI transfer. HR $\overline{\text{W}}$ has an internal pullup resistor that is only enabled when HPIENA = 0.
HRDY	O/Z	Ready output. HRDY goes into the high-impedance state when $\overline{\text{OFF}}$ is low. The ready output informs the host when the HPI is ready for the next transfer. This pin is driven high during reset.
$\overline{\text{HINT}}$	O/Z	Interrupt output. This output is used to interrupt the host. When the DSP is in reset, $\overline{\text{HINT}}$ is driven high. $\overline{\text{HINT}}$ goes into the high-impedance state when $\overline{\text{OFF}}$ is low. This pin is not used when HPI16 = 1.
HPIENA ⁽⁵⁾	I	HPI module select. HPIENA must be tied to DV _{DD} to have HPI selected. If HPIENA is left open or connected to ground, the HPI module is not selected, internal pullup for the HPI input pins are enabled, and the HPI data bus has holders set. HPIENA is provided with an internal pulldown resistor that is always active. HPIENA is sampled when $\overline{\text{RS}}$ goes high and is ignored until $\overline{\text{RS}}$ goes low again. This pin should never be changed while reset is high.
HPI16 ⁽⁵⁾	I	HPI16 mode selection. This pin must be tied to DV _{DD} to enable HPI16 mode. The pin has an internal pulldown resistor which is always active. If HPI16 is left open or driven low, the HPI16 mode is disabled.
SUPPLY PINS		
CV _{SS}	S	Ground. Dedicated ground for the core CPU
CV _{DD}	S	+V _{DD} . Dedicated power supply for the core CPU
DV _{SS}	S	Ground. Dedicated ground for I/O pins
DV _{DD}	S	+V _{DD} . Dedicated power supply for I/O pins
TEST PINS		
TCK ⁽²⁾⁽⁴⁾	I	IEEE standard 1149.1 test clock. TCK is normally a free-running clock signal with a 50% duty cycle. The changes on test access port (TAP) of input signals TMS and TDI are clocked into the TAP controller, instruction register, or selected test data register on the rising edge of TCK. Changes at the TAP output signal (TDO) occur on the falling edge of TCK.
TDI ⁽⁴⁾	I	IEEE standard 1149.1 test data input. Pin with internal pullup device. TDI is clocked into the selected register (instruction or data) on a rising edge of TCK.
TDO	O/Z	IEEE standard 1149.1 test data output. The contents of the selected register (instruction or data) are shifted out of TDO on the falling edge of TCK. TDO is in the high-impedance state except when the scanning of data is in progress. TDO also goes into the high-impedance state when $\overline{\text{OFF}}$ is low.
TMS ⁽⁴⁾	I	IEEE standard 1149.1 test mode select. Pin with internal pullup device. This serial control input is clocked into the TAP controller on the rising edge of TCK.
$\overline{\text{TRST}}$ ^{(5) (6)}	I	IEEE standard 1149.1 test reset. $\overline{\text{TRST}}$, when high, gives the IEEE standard 1149.1 scan system control of the operations of the device. If $\overline{\text{TRST}}$ is driven low, the device operates in its functional mode, and the IEEE standard 1149.1 signals are ignored. Pin with internal pulldown device.

(4) This pin has an internal pullup resistor.

(5) This pin has an internal pulldown resistor.

(6) Although this pin includes an internal pulldown resistor, a 470-Ω external pulldown is required. If the $\overline{\text{TRST}}$ pin is connected to multiple DSPs, a buffer is recommended to ensure the V_{IL} and V_{IH} specifications are met.

Table 2-2. Signal Descriptions (continued)

TERMINAL NAME	I/O ⁽¹⁾	DESCRIPTION
EMU0 ⁽⁷⁾	I/O/Z	Emulator 0 pin. When $\overline{\text{TRST}}$ is driven low, EMU0 must be high for activation of the $\overline{\text{OFF}}$ condition. When $\overline{\text{TRST}}$ is driven high, EMU0 is used as an interrupt to or from the emulator system and is defined as input/output by way of the IEEE standard 1149.1 scan system.
EMU1/ $\overline{\text{OFF}}$ ⁽⁷⁾	I/O/Z	Emulator 1 pin/disable all outputs. When $\overline{\text{TRST}}$ is driven high, EMU1/ $\overline{\text{OFF}}$ is used as an interrupt to or from the emulator system and is defined as input/output by way of IEEE standard 1149.1 scan system. When $\overline{\text{TRST}}$ is driven low, EMU1/ $\overline{\text{OFF}}$ is configured as $\overline{\text{OFF}}$. The EMU1/ $\overline{\text{OFF}}$ signal, when active low, puts all output drivers into the high-impedance state. Note that $\overline{\text{OFF}}$ is used exclusively for testing and emulation purposes (not for multiprocessing applications). Therefore, for the $\overline{\text{OFF}}$ condition, the following apply: $\overline{\text{TRST}}$ = low, EMU0 = high EMU1/ $\overline{\text{OFF}}$ = low

(7) This pin must be pulled up with a 4.7-k Ω resistor to ensure the device is operable in functional mode or emulation mode.

3 Functional Overview

The following functional overview is based on the block diagram in [Figure 3-1](#).

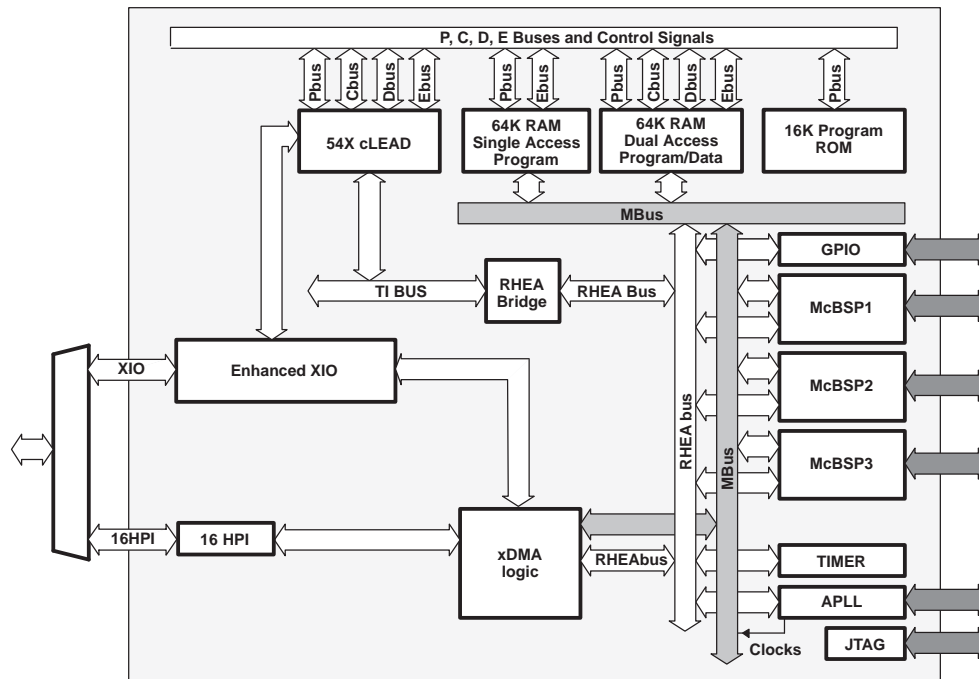


Figure 3-1. TMS320VC5416 Functional Block Diagram

3.1 Memory

The device provides both on-chip ROM and RAM memories to aid in system performance and integration.

3.1.1 Data Memory

The data memory space addresses up to 64K of 16-bit words. The device automatically accesses the on-chip RAM when addressing within its bounds. When an address is generated outside the RAM bounds, the device automatically generates an external access.

The advantages of operating from on-chip memory are as follows:

- Higher performance because no wait states are required
- Higher performance because of better flow within the pipeline of the central arithmetic logic unit (CALU)
- Lower cost than external memory
- Lower power than external memory

The advantage of operating from off-chip memory is the ability to access a larger address space.

3.1.2 Program Memory

Software can configure their memory cells to reside inside or outside of the program address map. When the cells are mapped into program space, the device automatically accesses them when their addresses are within bounds. When the program-address generation (PAGEN) logic generates an address outside its bounds, the device automatically generates an external access. The advantages of operating from on-chip memory are as follows:

- Higher performance because no wait states are required
- Lower cost than external memory
- Lower power than external memory

The advantage of operating from off-chip memory is the ability to access a larger address space.

3.1.3 Extended Program Memory

The device uses a paged extended memory scheme in program space to allow access of up to 8192K of program memory. In order to implement this scheme, the device includes several features which are also present on C548/549/5410:

- Twenty-three address lines, instead of sixteen
- An extra memory-mapped register, the XPC
- Six extra instructions for addressing extended program space

Program memory in the device is organized into 128 pages that are each 64K in length.

The value of the XPC register defines the page selection. This register is memory-mapped into data space to address 001Eh. At a hardware reset, the XPC is initialized to 0.

3.2 On-Chip ROM With Bootloader

The device features a 16K-word \times 16-bit on-chip maskable ROM that can only be mapped into program memory space.

Customers can arrange to have the ROM of the device programmed with contents unique to any particular application.

A bootloader is available in the standard on-chip ROM. This bootloader can be used to automatically transfer user code from an external source to anywhere in the program memory at power up. If $\overline{\text{MP}}/\overline{\text{MC}}$ of the device is sampled low during a hardware reset, execution begins at location FF80h of the on-chip ROM. This location contains a branch instruction to the start of the bootloader program.

The standard devices provide different ways to download the code to accommodate various system requirements:

- Parallel from 8-bit or 16-bit-wide EPROM
- Parallel from I/O space, 8-bit or 16-bit mode
- Serial boot from serial ports, 8-bit or 16-bit mode
- Host-port interface boot
- Warm boot

The standard on-chip ROM layout is shown in [Table 3-1](#).

Table 3-1. Standard On-Chip ROM Layout

ADDRESS RANGE	DESCRIPTION
C000h-D4FFh	ROM tables for the GSM EFR speech codec
D500h-F7FFh	Reserved
F800h-FBFFh	Bootloader
FC00h-FCFFh	μ-Law expansion table
FD00h-FDFFh	A-Law expansion table
FE00h-FEFFh	Sine look-up table
FF00h-FF7Fh	Reserved ⁽¹⁾
FF80h-FFFFh	Interrupt vector table

(1) In the ROM, 128 words are reserved for factory device-testing purposes. Application code to be implemented in on-chip ROM must reserve these 128 words at addresses FF00h-FF7Fh in program space.

3.3 On-Chip RAM

The device contains 64K-word × 16-bit of on-chip dual-access RAM (DARAM) and 64K-word × 16-bit of on-chip single-access RAM (SARAM).

The DARAM is composed of eight blocks of 8K words each. Each block in the DARAM can support two reads in one cycle, or a read and a write in one cycle. Four blocks of DARAM are located in the address range 0080h-7FFFh in data space, and can be mapped into program/data space by setting the OVLY bit to one. The other four blocks of DARAM are located in the address range 18000h-1FFFFh in program space. The DARAM located in the address range 18000h-1FFFFh in program space can be mapped into data space by setting the DROM bit to one.

The SARAM is composed of eight blocks of 8K words each. Each of these eight blocks is a single-access memory. For example, an instruction word can be fetched from one SARAM block in the same cycle as a data word is written to another SARAM block. The SARAM is located in the address range 28000h-2FFFFh, and 38000h-3FFFFh in program space.

3.4 On-Chip Memory Security

The device has a maskable option to protect the contents of on-chip memories.

When the *RAM/ROM* security option is selected, the following restrictions apply:

- Only the on-chip ROM originating instructions can read the contents of the on-chip ROM; on-chip RAM and external RAM originating instruction can not read data from ROM: instead 0FFFFh is read. Code can still branch to ROM from on-chip RAM or external program memory.
- The contents of on-chip RAM can be read by all instructions, even by instructions fetched from external memory. To protect the internal RAM, the user must never branch to external memory.
- The security feature completely disables the scan-based emulation capability of the 54x to prevent the use of a debugger utility. This only affects emulation and does not prevent the use of the JTAG boundary scan test capability.
- The device is internally forced into microcomputer mode at reset (MP/\overline{MC} bit forced to zero), preventing the ROM from being disabled by the external MP/\overline{MC} pin. The status of the MP/\overline{MC} bit in the PMST register can be changed after reset by the user application.
- HPI writes have no restriction, but HPI reads are restricted to the 4000h - 5FFFh address range.

If the ROM-only security option is selected the following restrictions apply:

- Only the on-chip ROM originating instructions can read the contents of the on-chip ROM; on-chip RAM and external RAM originating instruction cannot read data from ROM: instead 0FFFFh is read. Code can still branch to ROM from on-chip RAM or external program memory.
- The contents of on-chip RAM can be read by all instructions, even by instructions fetched from external memory. To protect the internal RAM the user must never branch to external memory.
- The security feature completely disables the scan-based emulation capability of the 54x to prevent the use of a debugger utility. This only affects emulation and does not prevent the use of the JTAG boundary scan test capability.
- The device can be started in either microcomputer mode or microprocessor mode at reset (depends on the MP/MC pin).
- HPI read and writes have no restriction.

3.5 Memory Map

The program and data memory map is shown in Figure 3-2. Address ranges for on-chip DARAM in data memory are:

- DARAM0: 0080h-1FFFh
- DARAM1: 2000h-3FFFh
- DARAM2: 4000h-5FFFh
- DARAM3: 6000h-7FFFh
- DARAM4: 8000h-9FFFh
- DARAM5: A000h-BFFFh
- DARAM6: C000h-DFFFh
- DARAM7: E000h-FFFFh

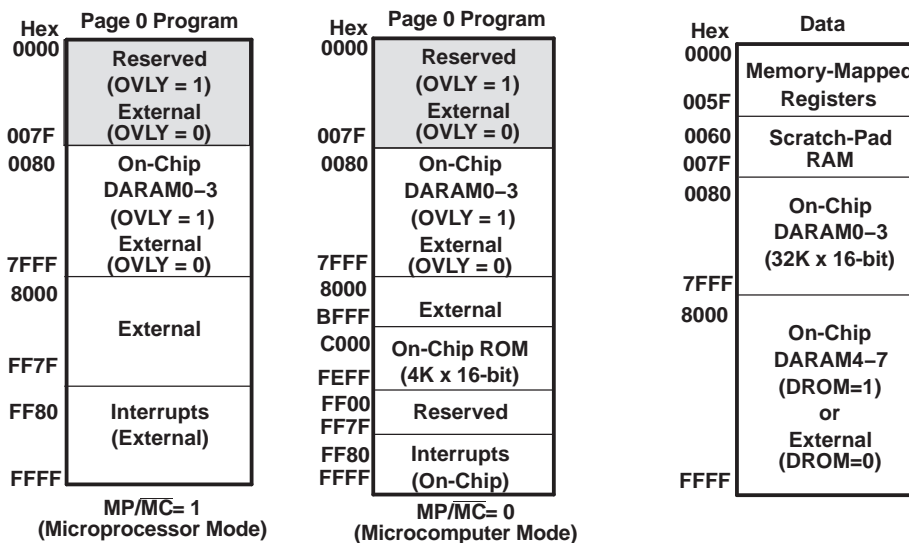


Figure 3-2. Program and Data Memory Map

The extended program memory map is shown in Figure 3-3. Address ranges for on-chip DARAM in data memory are:

- DARAM4: 018000h-019FFFh
- DARAM5: 01A000h-01BFFFh
- DARAM6: 01C000h-01DFFFh
- DARAM7: 01E000h-01FFFFh

Address ranges for on-chip SARAM in program memory are:

- SARAM0: 028000h-029FFFh
- SARAM1: 02A000h-02BFFFh
- SARAM2: 02C000h-02DFFFh
- SARAM3: 02E000h-02FFFFh
- SARAM4: 038000h-039FFFh
- SARAM5: 03A000h-03BFFFh
- SARAM6: 03C000h-03DFFFh
- SARAM7: 03E000h-03FFFFh

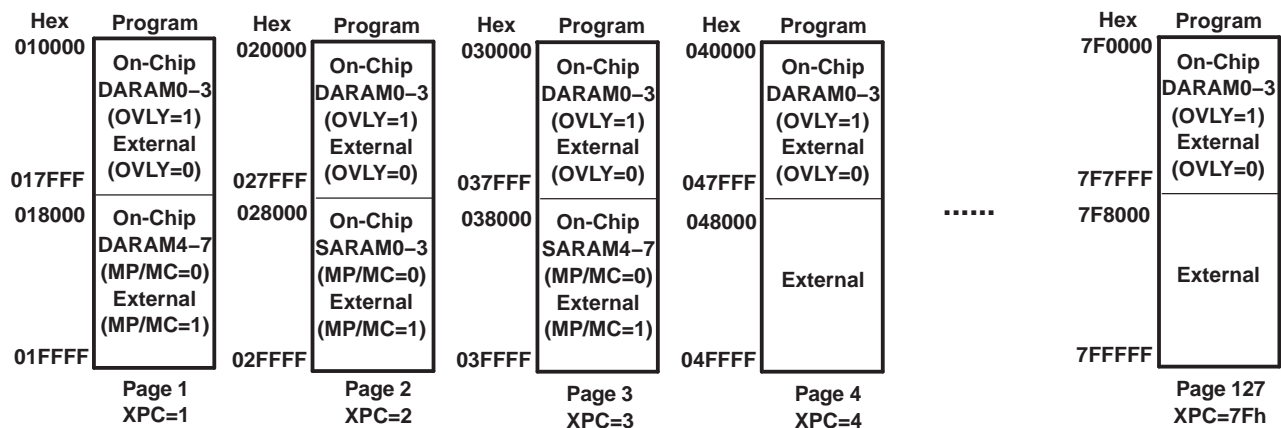


Figure 3-3. Extended Program Memory Map

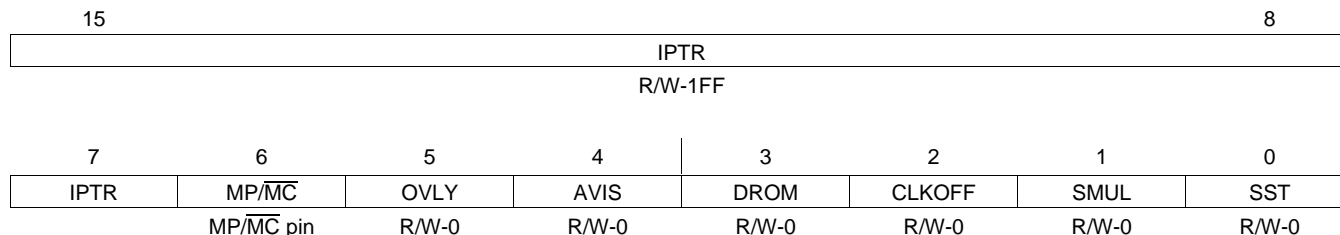
3.5.1 Relocatable Interrupt Vector Table

The reset, interrupt, and trap vectors are addressed in program space. These vectors are soft — meaning that the processor, when taking the trap, loads the program counter (PC) with the trap address and executes the code at the vector location. Four words, either two 1-word instructions or one 2-word instruction, are reserved at each vector location to accommodate a delayed branch instruction which allows branching to the appropriate interrupt service routine without the overhead.

At device reset, the reset, interrupt, and trap vectors are mapped to address FF80h in program space. However, these vectors can be remapped to the beginning of any 128-word page in program space after device reset. This is done by loading the interrupt vector pointer (IPTR) bits in the PMST register with the appropriate 128-word page boundary address. After loading IPTR, any user interrupt or trap vector is mapped to the new 128-word page.

NOTE

The hardware reset (\overline{RS}) vector cannot be remapped because the hardware reset loads the IPTR with 1s. Therefore, the reset vector is always fetched at location FF80h in program space.



LEGEND: R = Read, W = Write, n = value present after reset

Figure 3-4. Process Mode Status Register

Table 3-2. Processor Mode Status (PMST) Register Bit Fields

BIT NO.	BIT NAME	RESET VALUE	FUNCTION
15-7	IPTR	1FFh	Interrupt vector pointer. The 9-bit IPTR field points to the 128-word program page where the interrupt vectors reside. The interrupt vectors can be remapped to RAM for boot-loaded operations. At reset, these bits are all set to 1; the reset vector always resides at address FF80h in program memory space. The RESET instruction does not affect this field.
6	MP/MC	MP/MC pin	Microprocessor/microcomputer mode. MP/MC enables/disables the on-chip ROM to be addressable in program memory space. <ul style="list-style-type: none"> • MP/MC = 0: The on-chip ROM is enabled and addressable. • MP/MC = 1: The on-chip ROM is not available. MP/MC is set to the value corresponding to the logic level on the MP/MC pin when sampled at reset. This pin is not sampled again until the next reset. The RESET instruction does not affect this bit. This bit can also be set or cleared by software.
5	OVLY	0	RAM overlay. OVLY enables on-chip dual-access data RAM blocks to be mapped into program space. The values for the OVLY bit are: <ul style="list-style-type: none"> • OVLY = 0: The on-chip RAM is addressable in data space but not in program space. • OVLY = 1: The on-chip RAM is mapped into program space and data space. Data page 0 (addresses 0h to 7Fh), however, is not mapped into program space.
4	AVIS	0	Address visibility mode. AVIS enables/disables the internal program address to be visible at the address pins. <ul style="list-style-type: none"> • AVIS = 0: The external address lines do not change with the internal program address. Control and data lines are not affected and the address bus is driven with the last address on the bus. • AVIS = 1: This mode allows the internal program address to appear at the pins of the device so that the internal program address can be traced. Also, it allows the interrupt vector to be decoded in conjunction with IACK when the interrupt vectors reside on on-chip memory.
3	DROM	0	DROM enables on-chip DARAM4-7 to be mapped into data space. The DROM bit values are: <ul style="list-style-type: none"> • DROM = 0: The on-chip DARAM4-7 is not mapped into data space. • DROM = 1: The on-chip DARAM4-7 is mapped into data space.
2	CLKOFF	0	CLOCKOUT off. When the CLKOFF bit is 1, the output of CLKOUT is disabled and remains at a high level.
1	SMUL	N/A	Saturation on multiplication. When SMUL = 1, saturation of a multiplication result occurs before performing the accumulation in a MAC of MAS instruction. The SMUL bit applies only when OVM = 1 and FRCT = 1.
0	SST	N/A	Saturation on store. When SST = 1, saturation of the data from the accumulator is enabled before storing in memory. The saturation is performed after the shift operation.

3.6 On-Chip Peripherals

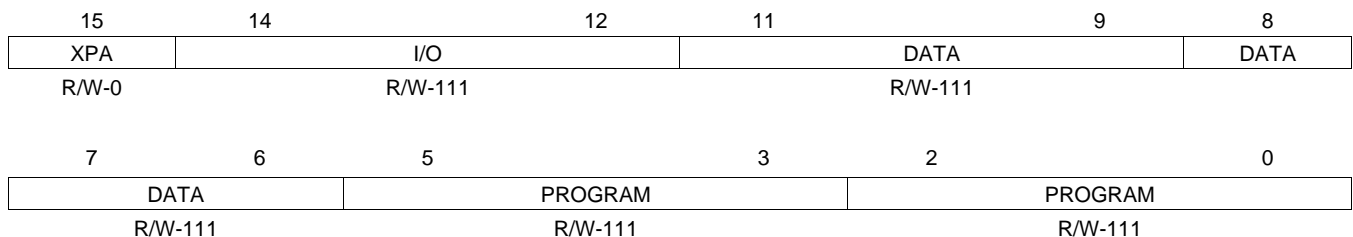
The device has the following peripherals:

- Software-programmable wait-state generator
- Programmable bank-switching
- A host-port interface (HPI8/16)
- Three multichannel buffered serial ports (McBSPs)
- A hardware timer
- A clock generator with a multiple phase-locked loop (PLL)
- Enhanced external parallel interface (XIO2)
- A DMA controller (DMA)

3.6.1 Software-Programmable Wait-State Generator

The software wait-state generator of the device can extend external bus cycles by up to fourteen machine cycles. Devices that require more than fourteen wait states can be interfaced using the hardware READY line. When all external accesses are configured for zero wait states, the internal clocks to the wait-state generator are automatically disabled. Disabling the wait-state generator clocks reduces the power consumption.

The software wait-state register (SWWSR) controls the operation of the wait-state generator. The 14 LSBs of the SWWSR specify the number of wait states (0 to 7) to be inserted for external memory accesses to five separate address ranges. This allows a different number of wait states for each of the five address ranges. Additionally, the software wait-state multiplier (SWSM) bit of the software wait-state control register (SWCR) defines a multiplication factor of 1 or 2 for the number of wait states. At reset, the wait-state generator is initialized to provide seven wait states on all external memory accesses. The SWWSR bit fields are shown in [Figure 3-5](#) and described in [Table 3-3](#).



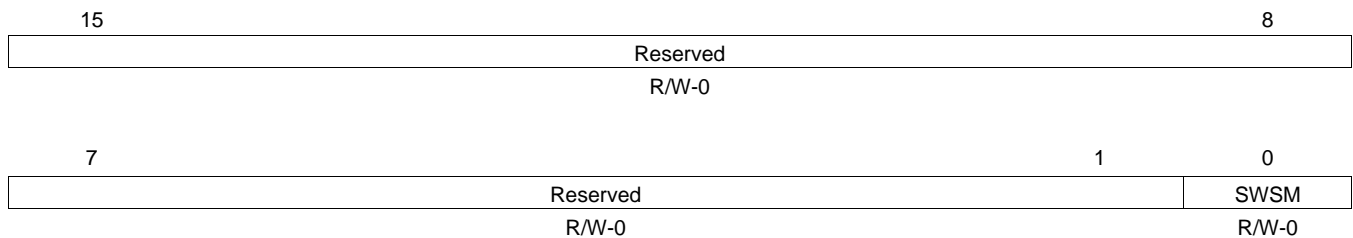
LEGEND: R = Read, W = Write, *n* = value present after reset

Figure 3-5. Software Wait-State Register (SWWSR) [Memory-Mapped Register (MMR) Address 0028h]

Table 3-3. Software Wait-State Register (SWWSR) Bit Fields

BIT NO.	BIT NAME	RESET VALUE	FUNCTION
15	XPA	0	Extended program address control bit. XPA is used in conjunction with the program space fields (bits 0 through 5) to select the address range for program space wait states.
14-12	I/O	111	I/O space. The field value (0-7) corresponds to the base number of wait states for I/O space accesses within addresses 0000-FFFFh. The SWSM bit of the SWCR defines a multiplication factor of 1 or 2 for the base number of wait states.
11-9	Data	111	Upper data space. The field value (0-7) corresponds to the base number of wait states for external data space accesses within addresses 8000-FFFFh. The SWSM bit of the SWCR defines a multiplication factor of 1 or 2 for the base number of wait states.
8-6	Data	111	Lower data space. The field value (0-7) corresponds to the base number of wait states for external data space accesses within addresses 0000-7FFFh. The SWSM bit of the SWCR defines a multiplication factor of 1 or 2 for the base number of wait states.
5-3	Program	111	Upper program space. The field value (0-7) corresponds to the base number of wait states for external program space accesses within the following addresses: <ul style="list-style-type: none"> XPA = 0: xx8000 - xxFFFFh XPA = 1: 400000h - 7FFFFFFh The SWSM bit of the SWCR defines a multiplication factor of 1 or 2 for the base number of wait states.
2-0	Program	111	Program space. The field value (0-7) corresponds to the base number of wait states for external program space accesses within the following addresses: <ul style="list-style-type: none"> XPA = 0: xx0000 - xx7FFFh XPA = 1: 000000 - 3FFFFFFh. The SWSM bit of the SWCR defines a multiplication factor of 1 or 2 for the base number of wait states.

The software wait-state multiplier bit of the software wait-state control register (SWCR) is used to extend the base number of wait states selected by the SWWSR. The SWCR bit fields are shown in [Figure 3-6](#) and described in [Table 3-4](#).



LEGEND: R = Read, W = Write, n = value present after reset

Figure 3-6. Software Wait-State Register (SWWSR) [Memory-Mapped Register (MMR) Address 0028h]

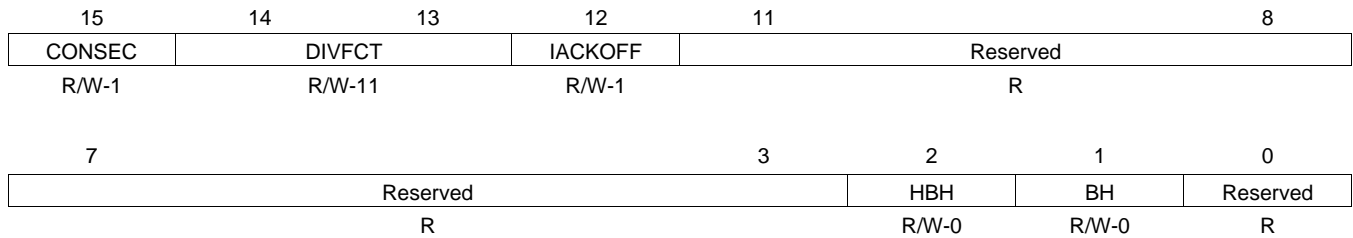
Table 3-4. Software Wait-State Control Register (SWCR) Bit Fields

PIN NO.	PIN NAME	RESET VALUE	FUNCTION
15-1	Reserved	0	These bits are reserved and are unaffected by writes.
0	SWSM	0	Software wait-state multiplier. Used to multiply the number of wait states defined in the SWWSR by a factor of 1 or 2. <ul style="list-style-type: none"> SWSM = 0: wait-state base values are unchanged (multiplied by 1) SWSM = 1: wait-state base values are multiplied by 2 for a maximum of 14 wait states

3.6.2 Programmable Bank-Switching

Programmable bank-switching logic allows the device to switch between external memory banks without requiring external wait states for memories that need additional time to turn off. The bank-switching logic automatically inserts one cycle when accesses cross a 32K-word memory-bank boundary inside program or data space.

Bank-switching is defined by the bank-switching control register (BSCR), which is memory-mapped at address 0029h. The bit fields of the BSCR are shown in Figure 3-7 and are described in Table 3-5.



LEGEND: R = Read, W = Write, n = value present after reset

Figure 3-7. Bank-Switching Control Register BSCR[MMR Address 0029h]

Table 3-5. Bank-Switching Control Register (BSCR) Fields

BIT	NAME	RESET VALUE	FUNCTION
15	$\overline{\text{CONSEC}}$ (1)	1	Consecutive bank-switching. Specifies the bank-switching mode. <ul style="list-style-type: none"> $\overline{\text{CONSEC}} = 0$: Bank-switching on 32K bank boundaries only. This bit is cleared if fast access is desired for continuous memory reads (i.e., no starting and trailing cycles between read cycles). $\overline{\text{CONSEC}} = 1$: Consecutive bank switches on external memory reads. Each read cycle consists of 3 cycles: starting cycle, read cycle, and trailing cycle.
14-13	DIVFCT	11	CLKOUT output divide factor. The CLKOUT output is driven by an on-chip source having a frequency equal to $1/(\text{DIVFCT}+1)$ of the DSP clock. <ul style="list-style-type: none"> DIVFCT = 00: CLKOUT is not divided. DIVFCT = 01: CLKOUT is divided by 2 from the DSP clock. DIVFCT = 10: CLKOUT is divided by 3 from the DSP clock. DIVFCT = 11: CLKOUT is divided by 4 from the DSP clock (default value following reset).
12	IACKOFF	11	$\overline{\text{IACK}}$ signal output off. Controls the output of the $\overline{\text{IACK}}$ signal. IACKOFF is set to 1 at reset. <ul style="list-style-type: none"> IACKOFF = 0: The $\overline{\text{IACK}}$ signal output off function is disabled. IACKOFF = 1: The $\overline{\text{IACK}}$ signal output off function is enabled.
11-3	Rsvd		Reserved
2	HBH	0	HPI bus holder. Controls the HPI bus holder. HBH is cleared to 0 at reset. <ul style="list-style-type: none"> HBH = 0: The bus holder is disabled except when HPI16 = 1. HBH = 1: The bus holder is enabled. When not driven, the HPI data bus, HD[7:0] is held in the previous logic level.
1	BH	0	Bus holder. Controls the bus holder. BH is cleared to 0 at reset. <ul style="list-style-type: none"> BH = 0: The bus holder is disabled. BH = 1: The bus holder is enabled. When not driven, the data bus, D[15:0] is held in the previous logic level.
0	Rsvd		Reserved

(1) For additional information, see Section 3.11 of this document.

The device has an internal register that holds the MSB of the last address used for a read or write operation in program or data space. In the non-consecutive bank switches ($\overline{\text{CONSEC}} = 0$), if the MSB of the address used for the current read does not match that contained in this internal register, the $\overline{\text{MSTRB}}$ (memory strobe) signal is not asserted for one CLKOUT cycle. During this extra cycle, the address bus switches to the new address. The contents of the internal register are replaced with the MSB for the read of the current address. If the MSB of the address used for the current read matches the bits in the register, a normal read cycle occurs.

In non-consecutive bank switches ($\overline{\text{CONSEC}} = 0$), if repeated reads are performed from the same memory bank, no extra cycles are inserted. When a read is performed from a different memory bank, memory conflicts are avoided by inserting an extra cycle. For more information, see [Section 3.11](#) of this document.

The bank-switching mechanism automatically inserts one extra cycle in the following cases:

- A memory read followed by another memory read from a different memory bank.
- A program-memory read followed by a data-memory read.
- A data-memory read followed by a program-memory read.
- A program-memory read followed by another program-memory read from a different page.

3.6.3 Bus Holders

The device has two bus holder control bits, BH (BSCR[1]) and HBH (BSCR[2]), to control the bus keepers of the address bus (A[17-0]), data bus (D[15-0]), and the HPI data bus (HD[7-0]). Bus keeper enabling/disabling is described in [Table 3-6](#).

Table 3-6. Bus Holder Control Bits

HPI16 PIN	BH	HBH	D[15-0]	A[17-0]	HD[7-0]
0	0	0	OFF	OFF	OFF
0	0	1	OFF	OFF	ON
0	1	0	ON	OFF	OFF
0	1	1	ON	OFF	ON
1	0	0	OFF	OFF	ON
1	0	1	OFF	ON	ON
1	1	0	ON	OFF	ON
1	1	1	ON	ON	ON

3.7 Parallel I/O Ports

The device has a total of 64K I/O ports. These ports can be addressed by the PORTR instruction or the PORTW instruction. The $\overline{\text{IS}}$ signal indicates a read/write operation through an I/O port. The device can interface easily with external devices through the I/O ports while requiring minimal off-chip address-decoding circuits.

3.7.1 Enhanced 8-/16-Bit Host-Port Interface (HPI8/16)

The host-port interface, also referred to as the HPI8/16, is an enhanced version of the standard 8-bit HPI found on earlier TMS320C54x™ DSPs (542, 545, 548, and 549). The HPI can be used to interface to an 8-bit or 16-bit host. When the address and data buses for external I/O is not used (to interface to external devices in program/data/IO spaces), the HPI can be configured as an HPI16 to interface to a 16-bit host. This configuration can be accomplished by connecting the HPI16 pin to logic "1".

When the HPI16 pin is connected to a logic "0", the HPI is configured as an HPI8. The HPI8 is an 8-bit parallel port for interprocessor communication. The features of the HPI8 include:

Standard features:

- Sequential transfers (with autoincrement) or random-access transfers
- Host interrupt and C54x™ interrupt capability
- Multiple data strobes and control pins for interface flexibility

The HPI8 interface consists of an 8-bit bidirectional data bus and various control signals. Sixteen-bit transfers are accomplished in two parts with the HBIL input designating high or low byte. The host communicates with the HPI8 through three dedicated registers — the HPI address register (HPIA), the HPI data register (HPID), and the HPI control register (HPIC). The HPIA and HPID registers are only accessible by the host, and the HPIC register is accessible by both the host and the device.

Enhanced features:

- Access to entire on-chip RAM through DMA bus
- Capability to continue transferring during emulation stop

The HPI16 is an enhanced 16-bit version of the TMS320C54x™ DSP 8-bit host-port interface (HPI8). The HPI16 is designed to allow a 16-bit host to access the DSP on-chip memory, with the host acting as the master of the interface. Some of the features of the HPI16 include:

- 16-bit bidirectional data bus
- Multiple data strobes and control signals to allow glueless interfacing to a variety of hosts
- Only nonmultiplexed address/data modes are supported
- 18-bit address bus used in nonmultiplexed mode to allow access to all internal memory (including internal extended address pages)
- HRDY signal to hold off host accesses due to DMA latency
- The HPI16 acts as a slave to a 16-bit host processor and allows access to the on-chip memory of the DSP.

NOTE

Only the nonmultiplexed mode is supported when the HPI is configured as a HPI16.

The HPI functions as a slave and enables the host processor to access the on-chip memory. A major enhancement to the HPI over previous versions is that it allows host access to the entire on-chip memory range of the DSP. The host and the DSP both have access to the on-chip RAM at all times and host accesses are always synchronized to the DSP clock. If the host and the DSP contend for access to the same location, the host has priority, and the DSP waits for one cycle. Note that since host accesses are always synchronized to the device clock, an active input clock (CLKIN) is required for HPI accesses during IDLE states, and host accesses are not allowed while the device reset pin is asserted.

3.7.2 HPI Nonmultiplexed Mode

In *nonmultiplexed* mode, a host with separate address/data buses can access the HPI16 data register (HPID) via the HD 16-bit bidirectional data bus, and the address register (HPIA) via the 18-bit HA address bus. The host initiates the access with the strobe signals ($\overline{\text{HDS1}}$, $\overline{\text{HDS2}}$, $\overline{\text{HCS}}$) and controls the direction of the access with the $\overline{\text{HR/W}}$ signal. The HPI16 can stall host accesses via the $\overline{\text{HRDY}}$ signal. Note that the HPIC register is not available in *nonmultiplexed* mode since there are no $\overline{\text{HCNTL}}$ signals available. All host accesses initiate a DMA read or write access. Figure 3-8 shows a block diagram of the HPI16 in *nonmultiplexed* mode. Figure 3-9 shows the HPI memory map.

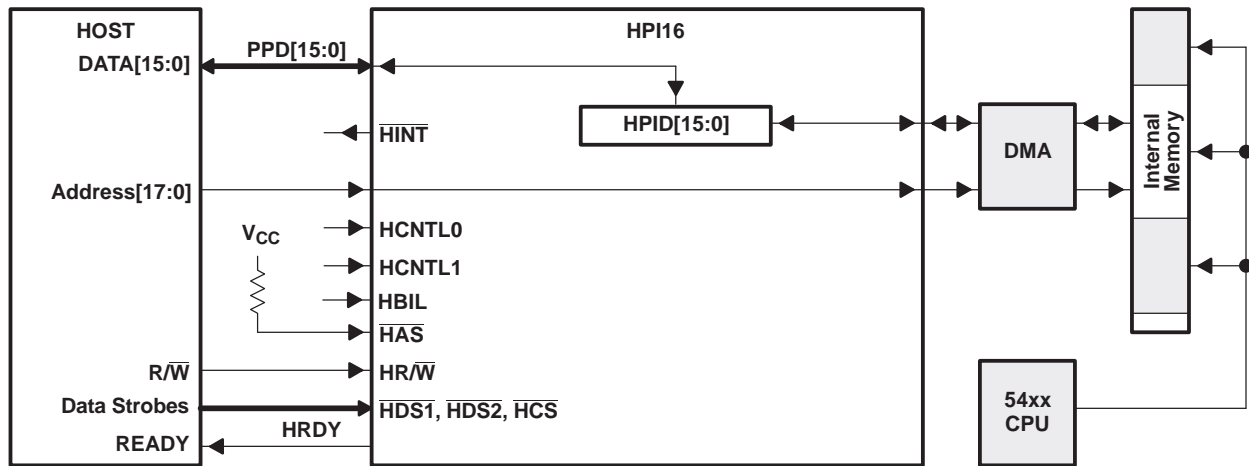


Figure 3-8. Host-Port Interface — Nonmultiplexed Mode

Address (Hex)	
000 0000	Reserved
000 005F 000 0060	
000 007F 000 0080	Scratch-Pad RAM
000 7FFF 000 8000	DARAM0 – DARAM3
001 7FFF 001 8000	Reserved
001 FFFF 002 0000	
002 7FFF 002 8000	DARAM4 – DARAM7
002 FFFF 003 0000	Reserved
003 7FFF 003 8000	
003 FFFF 004 0000	SARAM0 – SARAM3
004 0000	Reserved
003 FFFF 004 0000	
07F FFFF	SARAM4 – SARAM7
	Reserved

Figure 3-9. HPI Memory Map

3.8 Multichannel Buffered Serial Ports (McBSPs)

The device provides three high-speed, full-duplex, multichannel buffered serial ports that allow direct interface to other C54x/LC54x devices, codecs, and other devices in a system. The McBSPs are based on the standard serial-port interface found on other 54x devices. Like their predecessors, the McBSPs provide:

- Full-duplex communication
- Double-buffer data registers, which allow a continuous data stream
- Independent framing and clocking for receive and transmit

In addition, the McBSPs have the following capabilities:

- Direct interface to:
 - T1/E1 framers
 - MVIP switching compatible and ST-BUS compliant devices
 - IOM-2 compliant devices
 - AC97-compliant devices
 - IIS-compliant devices
 - Serial peripheral interface
- Multichannel transmit and receive of up to 128 channels
- A wide selection of data sizes, including 8, 12, 16, 20, 24, or 32 bits
- μ -law and A-law companding
- Programmable polarity for both frame synchronization and data clocks
- Programmable internal clock and frame generation

The McBSP consists of a data path and control path. The six pins, BDX, BDR, BFSX, BFSR, BCLKX, and BCLKR, connect the control and data paths to external devices. The implemented pins can be programmed as general-purpose I/O pins if they are not used for serial communication.

The data is communicated to devices interfacing to the McBSP by way of the data transmit (BDX) pin for transmit and the data receive (BDR) pin for receive. The CPU or DMA reads the received data from the data receive register (DRR) and writes the data to be transmitted to the data transmit register (DXR). Data written to the DXR is shifted out to BDX by way of the transmit shift register (XSR). Similarly, receive data on the BDR pin is shifted into the receive shift register (RSR) and copied into the receive buffer register (RBR). RBR is then copied to DRR, which can be read by the CPU or DMA. This allows internal data movement and external data communications simultaneously.

Control information in the form of clocking and frame synchronization is communicated by way of BCLKX, BCLKR, BFSX, and BFSR. The device communicates to the McBSP by way of 16-bit-wide control registers accessible via the internal peripheral bus.

The control block consists of internal clock generation, frame synchronization signal generation, and their control, and multichannel selection. This control block sends notification of important events to the CPU and DMA by way of two interrupt signals, XINT and RINT, and two event signals, XEVT and REVT.

The on-chip companding hardware allows compression and expansion of data in either μ -law or A-law format. When companding is used, transmitted data is encoded according to the specified companding law and received data is decoded to 2s complement format.

The sample rate generator provides the McBSP with several means of selecting clocking and framing for both the receiver and transmitter. Both the receiver and transmitter can select clocking and framing independently.

The McBSP allows the multiple channels to be independently selected for the transmitter and receiver. When multiple channels are selected, each frame represents a time-division multiplexed (TDM) data stream. In using time-division multiplexed data streams, the CPU may only need to process a few of them. Thus, to save memory and bus bandwidth, multichannel selection allows independent enabling of particular channels for transmission and reception. All 128 channels in a bit stream consisting of a maximum of 128 channels can be enabled.

15				10		9	8
Reserved						XMCME	XPBBLK
R						R/W	R/W
7		6	5	4	2	1	0
XPBBLK	XPABLK		XCBLK			Reserved	XMCM
R/W	R/W		R			R	R/W

LEGEND: R = Read, W = Write, n = value present after reset

Figure 3-10. Multichannel Control Register (MCR1)

15				10		9	8
Reserved						RMCME	RPBBLK
R						R/W	R/W
7		6	5	4	2	1	0
RPBBLK	RPABLK		RCBLK			Reserved	RMCM
R/W	R/W		R			R	R/W

LEGEND: R = Read, W = Write, n = value present after reset

Figure 3-11. Multichannel Control Register (MCR2)

The McBSP has two working modes:

- In the first mode, when (R/X)MCME = 0, it is comparable with the McBSPs used in the 5410 where the normal 32-channel selection is enabled (default).
- In the second mode, when (R/X)MCME = 1, it has 128-channel selection capability. Multichannel control register Bit 9, (R/X)MCME, is used as the 128-channel selection enable bit. Once (R/X)MCME = 1, twelve new registers ((R/X)CERC - (R/X)CERH) are used to enable the 128-channel selection.

The clock stop mode (CLKSTP) in the McBSP provides compatibility with the serial port interface protocol. Clock stop mode works with only single-phase frames and one word per frame. The word sizes supported by the McBSP are programmable for 8-, 12-, 16-, 20-, 24-, or 32-bit operation. When the McBSP is configured to operate in SPI mode, both the transmitter and the receiver operate together as a master or as a slave.

Although the BCLKS pin is not available on the device PGE and GGU packages, the device is capable of synchronization to external clock sources. BCLKX or BCLKR can be used by the sample rate generator for external synchronization. The sample rate clock mode extended (SCLKME) bit field is located in the PCR to accommodate this option.

15		14	13	12	11	10	9	8
Reserved		XIOEN	RIOEN	FSXM	FSRM	CLKXM	CLKRM	
R/W		R/W	R/W	R/W	R/W	R/W	R/W	
7		6	5	4	3	2	1	0
SCLKME	CLKS STAT	DX STAT	DR STAT	FSXP	FSRP	CLKXP	CLKRP	
R/W	R/W	R/W	R/W	R/W	R/W	R/W	R/W	

LEGEND: R = Read, W = Write, n = value present after reset

Figure 3-12. Pin Control Register (PCR)

The selection of sample rate input clock is made by the combination of the CLKSM (bit 13 in SRGR2) bit value and the SCLKME bit value as shown in [Table 3-7](#).

Table 3-7. Sample Rate Input Clock Selection

SCLKME	CLKSM	SAMPLE RATE CLOCK MODE
0	0	Reserved (CLKS pin unavailable)
0	1	CPU clock
1	0	BCLKR
1	1	BCLKX

When the SCLKME bit is cleared to 0, the CLKSM bit is used, as before, to select either the CPU clock or the CLKS pin (not bonded out on the device package) as the sample rate input clock. Setting the SCLKME bit to 1 enables the CLKSM bit to select between the BCLKR pin or BCLKX pin for the sample rate input clock.

When either the BCLKR or CLKX is configured this way, the output buffer for the selected pin is automatically disabled. For example, with SCLKME = 1 and CLKSM = 0, the BCLKR pin is configured as the input of the sample rate generator. Both the transmitter and receiver circuits can be synchronized to the sample rate generator output by setting the CLKXM and CLKRM bits of the pin configuration register (PCR) to 1. Note that the sample rate generator output will only be driven on the BCLKX pin since the BCLKR output buffer is automatically disabled.

The McBSP is fully static and operates at arbitrary low clock frequencies. For maximum operating frequency, see [Section 5.5.10](#).

3.9 Hardware Timer

The device features a 16-bit timing circuit with a 4-bit prescaler. The timer counter is decremented by one every CLKOUT cycle. Each time the counter decrements to 0, a timer interrupt is generated. The timer can be stopped, restarted, reset, or disabled by specific status bits.

3.10 Clock Generator

The clock generator provides clocks to the device, and consists of a phase-locked loop (PLL) circuit. The clock generator requires a reference clock input, which can be provided from an external clock source. The reference clock input is then divided by two (DIV mode) to generate clocks for the device, or the PLL circuit can be used (PLL mode) to generate the device clock by multiplying the reference clock frequency by a scale factor, allowing use of a clock source with a lower frequency than that of the CPU. The PLL is an adaptive circuit that, once synchronized, locks onto and tracks an input clock signal.

When the PLL is initially started, it enters a transitional mode during which the PLL acquires lock with the input signal. Once the PLL is locked, it continues to track and maintain synchronization with the input signal. Then, other internal clock circuitry allows the synthesis of new clock frequencies for use as master clock for the device.

This clock generator allows system designers to select the clock source. The sources that drive the clock generator are:

- A crystal resonator circuit. The crystal resonator circuit is connected across the X1 and X2/CLKIN pins of the device to enable the internal oscillator.
- An external clock. The external clock source is directly connected to the X2/CLKIN pin, and X1 is left unconnected.

NOTE

The crystal oscillator function is not supported by all die revisions of the device. See the *TMS320VC5416 Digital Signal Processor Silicon Errata* (literature number SPRZ172) to verify which die revisions support this functionality.

The software-programmable PLL features a high level of flexibility, and includes a clock scaler that provides various clock multiplier ratios, capability to directly enable and disable the PLL, and a PLL lock timer that can be used to delay switching to PLL clocking mode of the device until lock is achieved. Devices that have a built-in software-programmable PLL can be configured in one of two clock modes:

- PLL mode. The input clock (X2/CLKIN) is multiplied by 1 of 31 possible ratios.
- DIV (divider) mode. The input clock is divided by 2 or 4. Note that when DIV mode is used, the PLL can be completely disabled in order to minimize power dissipation.

The software-programmable PLL is controlled using the 16-bit memory-mapped (address 0058h) clock mode register (CLKMD). The CLKMD register is used to define the clock configuration of the PLL clock module. Note that upon reset, the CLKMD register is initialized with a predetermined value dependent only upon the state of the CLKMD1 - CLKMD3 pins. For more programming information, see the *TMS320C54x DSP Reference Set, Volume 1: CPU and Peripherals* (literature number SPRU131). The CLKMD pin configured clock options are shown in [Table 3-8](#).

Table 3-8. Clock Mode Settings at Reset

CLKMD1	CLKMD2	CLKMD3	CLKMD RESET VALUE	CLOCK MODE ⁽¹⁾
0	0	0	0000h	1/2 (PLL disabled)
0	0	1	9007h	PLL x 10
0	1	0	4007h	PLL x 5
1	0	0	1007h	PLL x 2
1	1	0	F007h	PLL x 1
1	1	1	0000h	1/2 (PLL disabled)
1	0	1	F000h	1/4 (PLL disabled)
0	1	1	—	Reserved (Bypass mode)

(1) The external CLKMD1-CLKMD3 pins are sampled to determine the desired clock generation mode while \overline{RS} is low. Following reset, the clock generation mode can be reconfigured by writing to the internal clock mode register in software.

3.11 Enhanced External Parallel Interface (XIO2)

The device external interface has been redesigned to include several improvements, including: simplification of the bus sequence, more immunity to bus contention when transitioning between read and write operations, the ability for external memory access to the DMA controller, and optimization of the power-down modes.

The bus sequence on the device still maintains all of the same interface signals as on previous 54x devices, but the signal sequence has been simplified. Most external accesses now require 3 cycles composed of a leading cycle, an active (read or write) cycle, and a trailing cycle. The leading and trailing cycles provide additional immunity against bus contention when switching between read operations and write operations. To maintain high-speed read access, a consecutive read mode that performs single-cycle reads as on previous 54x devices is available.

Figure 3-13 shows the bus sequence for three cases: all I/O reads, memory reads in nonconsecutive mode, or single memory reads in consecutive mode. The accesses shown in Figure 3-13 always require 3 CLKOUT cycles to complete.

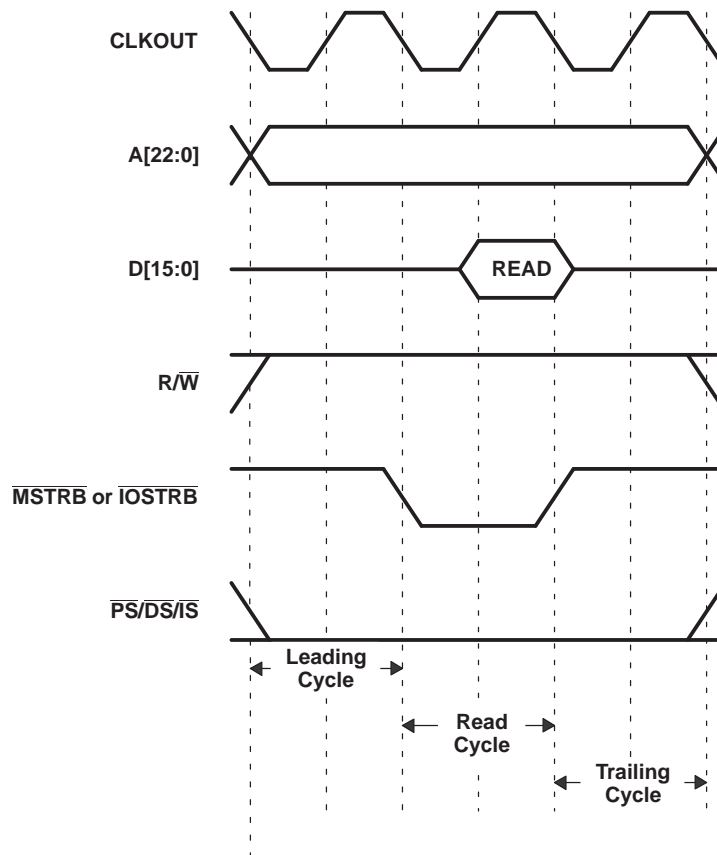


Figure 3-13. Nonconsecutive Memory Read and I/O Read Bus Sequence

Figure 3-14 shows the bus sequence for repeated memory reads in consecutive mode. The accesses shown in Figure 3-14 require $(2 + n)$ CLKOUT cycles to complete, where n is the number of consecutive reads performed.

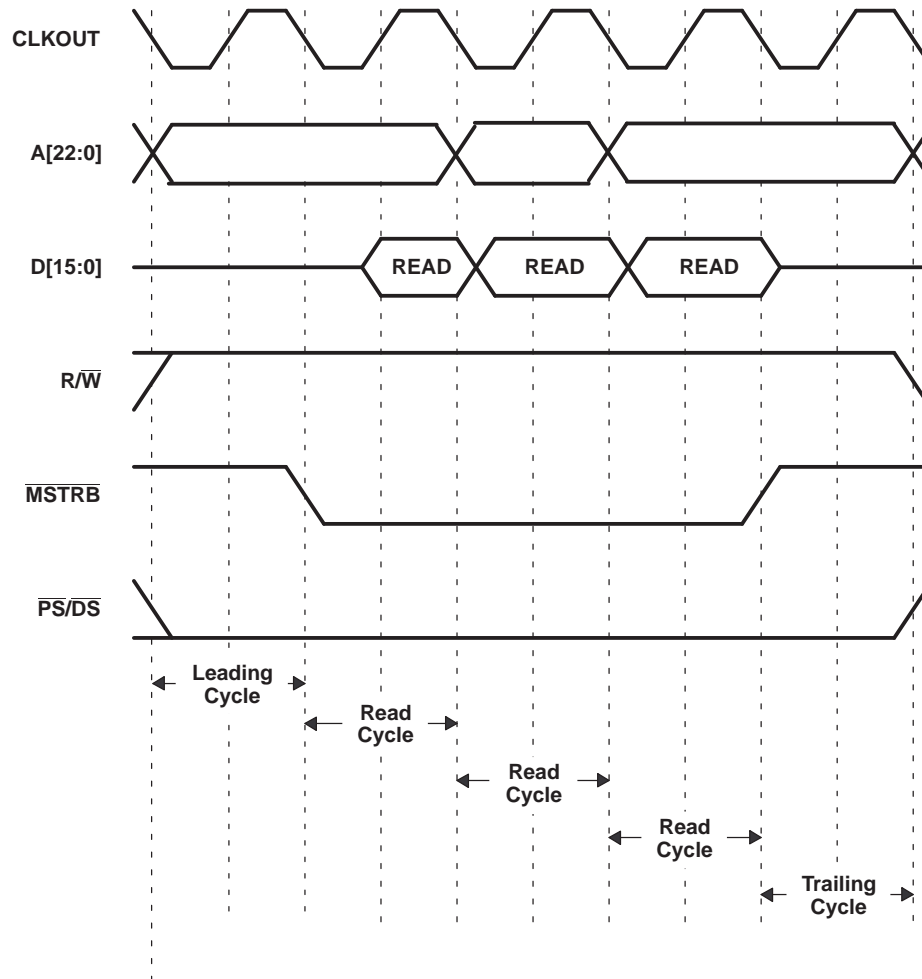


Figure 3-14. Consecutive Memory Read Bus Sequence ($n = 3$ reads)

Figure 3-15 shows the bus sequence for all memory writes and I/O writes. The accesses shown in Figure 3-15 always require 3 CLKOUT cycles to complete.

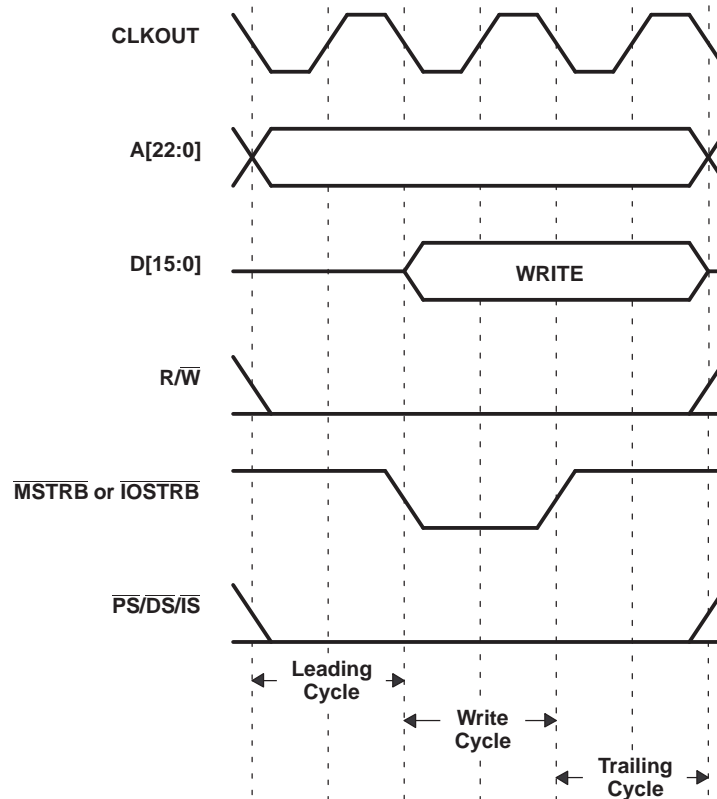


Figure 3-15. Memory Write and I/O Write Bus Sequence

The enhanced interface also provides the ability for DMA transfers to extend to external memory. For more information on DMA capability, see the DMA sections that follow.

The enhanced interface improves the low-power performance already present on the TMS320C5000™ DSP platform by switching off the internal clocks to the interface when it is not being used. This power-saving feature is automatic, requires no software setup, and causes no latency in the operation of the interface.

Additional features integrated in the enhanced interface are the ability to automatically insert bank-switching cycles when crossing 32K memory boundaries (see Section 3.6.2), the ability to program up to 14 wait states through software (see Section 3.6.1), and the ability to divide down CLKOUT by a factor of 1, 2, 3, or 4. Dividing down CLKOUT provides an alternative to wait states when interfacing to slower external memory or peripheral devices. While inserting wait states extends the bus sequence during read or write accesses, it does not slow down the bus signal sequences at the beginning and the end of the access. Dividing down CLKOUT provides a method of slowing the entire bus sequence when necessary. The CLKOUT divide-down factor is controlled through the DIVFCT field in the bank-switching control register (BSCR) (see Table 3-5).

3.12 DMA Controller

The device direct memory access (DMA) controller transfers data between points in the memory map without intervention by the CPU. The DMA allows movements of data to and from internal program/data memory, internal peripherals (such as the McBSPs), or external memory devices to occur in the background of CPU operation. The DMA has six independent programmable channels, allowing six different contexts for DMA operation.

3.12.1 Features

The DMA has the following features:

- The DMA operates independently of the CPU.
- The DMA has six channels. The DMA can keep track of the contexts of six independent block transfers.
- The DMA has higher priority than the CPU for both internal and external accesses.
- Each channel has independently programmable priorities.
- Each channel's source and destination address registers can have configurable indexes through memory on each read and write transfer, respectively. The address may remain constant, be post-incremented, be post-decremented, or be adjusted by a programmable value.
- Each read or write internal transfer may be initialized by selected events.
- On completion of a half- or entire-block transfer, each DMA channel may send an interrupt to the CPU.
- The DMA can perform double-word internal transfers (a 32-bit transfer of two 16-bit words).

3.12.2 DMA External Access

The DMA supports external accesses to data, I/O, and extended program memory. These overlay pages are only visible to the DMA controller. A maximum of two DMA channels can be used for external memory accesses. The DMA external accesses require a minimum of 8 cycles for external writes and a minimum of 11 cycles for external reads assuming the XIO02 is in consecutive mode ($CONSEC = 1$), wait state is set to two, and CLKOUT is not divided ($DIVFCT = 00$).

The control of the bus is arbitrated between the CPU and the DMA. While the DMA or CPU is in control of the external bus, the other will be held-off via wait states until the current transfer is complete. The DMA takes precedence over XIO requests.

- Only two channels are available for external accesses. (One for external reads and one for external writes.)
- Single-word (16-bit) transfers are supported for external accesses.
- The DMA does not support transfers from the peripherals to external memory.
- The DMA does not support transfers from external memory to the peripherals.
- The DMA does not support external-to-external accesses.
- The DMA does not support synchronized external accesses.

15	14	13	12	11	10	8
AUTOINIT	DINM	IMOD	CTMOD	SLAXS	SIND	
7	6	5	4	2	1	0
DMS		DLAXS	DIND		DMD	

LEGEND: R = Read, W = Write, *n* = value present after reset

Figure 3-16. DMA Transfer Mode Control Register (DMMCr_n)

These new bit fields were created to allow the user to define the space-select for the DMA (internal/external). The functions of the DLAXS and SLAXS bits are as follows:

- DLAXS(DMMCRn[5]) Destination
 - 0 = No external access (default internal)
 - 1 = External access
- SLAXS(DMMCRn[11]) Source
 - 0 = No external access (default internal)
 - 1 = External access

Table 3-9 lists the DMD bit values and their corresponding destination space.

Table 3-9. DMD Section of the DMMCRn Register

DMD	Destination Space
00	PS
01	DS
10	I/O
11	Reserved

For the CPU external access, software can configure the memory cells to reside inside or outside the program address map. When the cells are mapped into program space, the device automatically accesses them when their addresses are within bounds. When the address generation logic generates an address outside its bounds, the device automatically generates an external access.

3.12.3 DMA Memory Maps

The DMA memory maps, shown in Figure 3-17 and Figure 3-18, allows the DMA transfer to be unaffected by the status of the MP/MC, DROM, and OVLY bits.

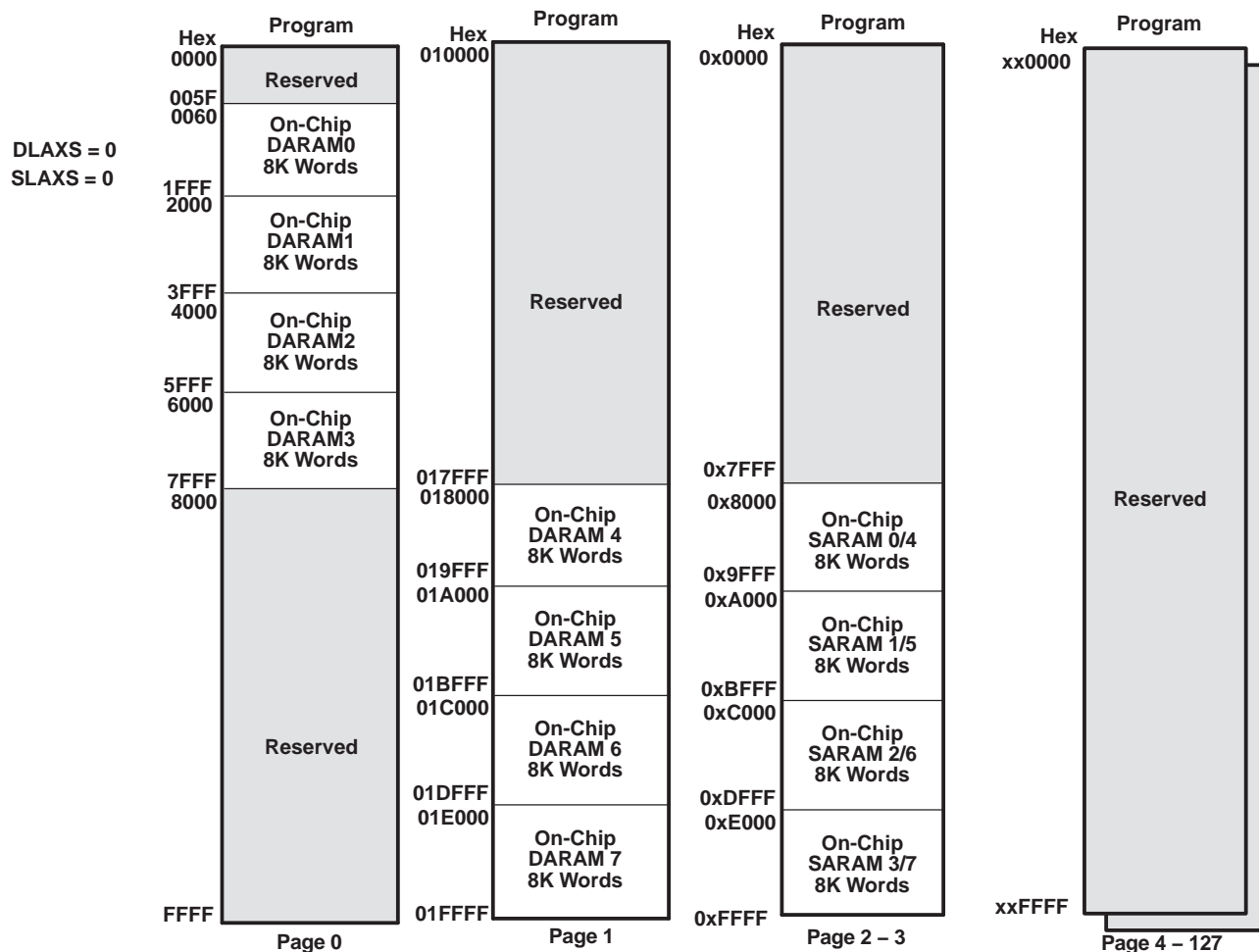


Figure 3-17. On-Chip DMA Memory Map for Program Space (DLAXS = 0 and SLAXS = 0)

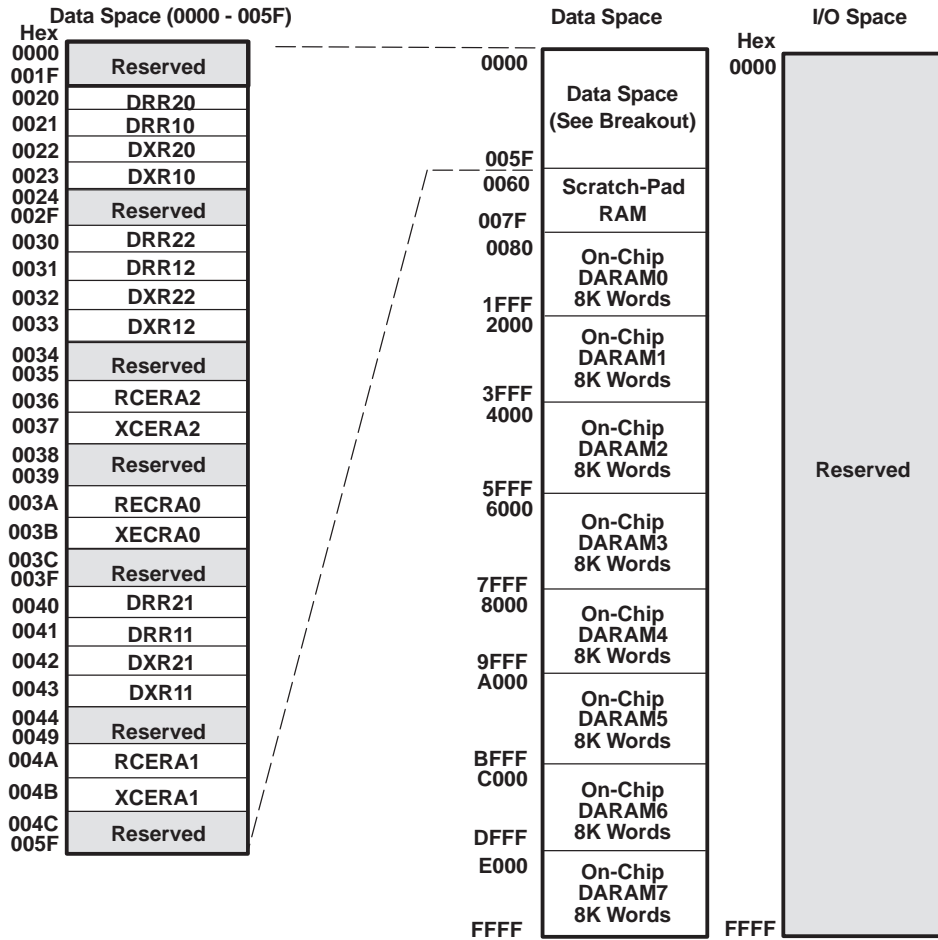


Figure 3-18. On-Chip DMA Memory Map for Data and IO Space (DLAXS = 0 and SLAXS = 0)

3.12.4 DMA Priority Level

Each DMA channel can be independently assigned high- or low-priority relative to each other. Multiple DMA channels that are assigned to the same priority level are handled in a round-robin manner.

3.12.5 DMA Source/Destination Address Modification

The DMA provides flexible address-indexing modes for easy implementation of data management schemes such as autobuffering and circular buffers. Source and destination addresses can be indexed separately and can be post-incremented, post-decremented, or post-incremented with a specified index offset.

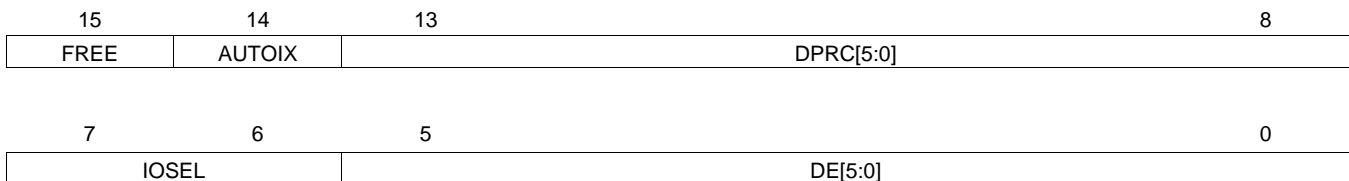
3.12.6 DMA in Autoinitialization Mode

The DMA can automatically reinitialize itself after completion of a block transfer. Some of the DMA registers can be preloaded for the next block transfer through the DMA reload registers (DMGSA, DMGDA, DMGCR, and DMGFR). Autoinitialization allows:

- Continuous operation: Normally, the CPU would have to reinitialize the DMA immediately after the completion of the current block transfers, but with the reload registers, it can reinitialize these values for the next block transfer any time after the current block transfer begins.
- Repetitive operation: The CPU does not preload the reload register with new values for each block transfer but only loads them on the first block transfer.

The DMA has been enhanced to expand the DMA reload register sets. Each DMA channel now has its own DMA reload register set. For example, the DMA reload register set for channel 0 has DMGSA0, DMGDA0, DMGCR0, and DMGFR0 while DMA channel 1 has DMGSA1, DMGDA1, DMGCR1, and DMGFR1, etc.

To utilize the additional DMA reload registers, the AUTOIX bit is added to the DMPREC register as shown in [Figure 3-19](#).



LEGEND: R = Read, W = Write, n = value present after reset

Figure 3-19. DMPREC Register

Table 3-10. DMA Reload Register Selection

AUTOIX	DMA RELOAD REGISTER USAGE IN AUTO INIT MODE
0 (default)	All DMA channels use DMGSA0, DMGDA0, DMGCR0 and DMGFR0
1	Each DMA channel uses its own set of reload registers

3.12.7 DMA Transfer Counting

The DMA channel element count register (DMCTR_x) and the frame count register (DMFRC_x) contain bit fields that represent the number of frames and the number of elements per frame to be transferred.

- Frame count. This 8-bit value defines the total number of frames in the block transfer. The maximum number of frames per block transfer is 128 (FRAME COUNT= 0FFh). The counter is decremented upon the last read transfer in a frame transfer. Once the last frame is transferred, the selected 8-bit counter is reloaded with the DMA global frame reload register (DMGFR) if the AUTOINIT bit is set to 1. A frame count of 0 (default value) means the block transfer contains a single frame.
- Element count. This 16-bit value defines the number of elements per frame. This counter is decremented after the read transfer of each element. The maximum number of elements per frame is 65536 (DMCTR_n = 0FFFFh). In autoinitialization mode, once the last frame is transferred, the counter is reloaded with the DMA global count reload register (DMGCR).

3.12.8 DMA Transfer in Doubleword Mode

Doubleword mode allows the DMA to transfer 32-bit words in any index mode. In doubleword mode, two consecutive 16-bit transfers are initiated and the source and destination addresses are automatically updated following each transfer. In this mode, each 32-bit word is considered to be one element.

3.12.9 DMA Channel Index Registers

The particular DMA channel index register is selected by way of the SIND and DIND fields in the DMA transfer mode control register (DMMCRn). Unlike basic address adjustment, in conjunction with the frame index DMFRI0 and DMFRI1, the DMA allows different adjustment amounts depending on whether or not the element transfer is the last in the current frame. The normal adjustment value (element index) is contained in the element index registers DMIDX0 and DMIDX1. The adjustment value (frame index) for the end of the frame, is determined by the selected DMA frame index register, either DMFRI0 or DMFRI1.

The element index and the frame index affect address adjustment as follows:

- Element index: For all except the last transfer in the frame, the element index determines the amount to be added to the DMA channel for the source/destination address register (DMSRCx/DMDSTx) as selected by the SIND/DIND bits.
- Frame index: If the transfer is the last in a frame, frame index is used for address adjustment as selected by the SIND/DIND bits. This occurs in both single-frame and multiframe transfers.

3.12.10 DMA Interrupts

The ability of the DMA to interrupt the CPU based on the status of the data transfer is configurable and is determined by the IMOD and DINM bits in the DMA transfer mode control register (DMMCRn). The available modes are shown in [Table 3-11](#).

Table 3-11. DMA Interrupts

MODE	DINM	IMOD	INTERRUPT
ABU (non-decrement)	1	0	At full buffer only
ABU (non-decrement)	1	1	At half buffer and full buffer
Multiframe	1	0	At block transfer complete (DMCTRn = DMSEFCn[7:0] = 0)
Multiframe	1	1	At end of frame and end of block (DMCTRn = 0)
Either	0	X	No interrupt generated
Either	0	X	No interrupt generated

3.12.11 DMA Controller Synchronization Events

The transfers associated with each DMA channel can be synchronized to one of several events. The DSYN bit field of the DMSEFCn register selects the synchronization event for a channel. The list of possible events and the DSYN values are shown in [Table 3-12](#).

Table 3-12. DMA Synchronization Events

DSYN VALUE	DMA SYNCHRONIZATION EVENT
0000b	No synchronization used
0001b	McBSP0 receive event
0010b	McBSP0 transmit event
0011b	McBSP2 receive event
0100b	McBSP2 transmit event
0101b	McBSP1 receive event
0110b	McBSP1 transmit event
0111b	McBSP0 receive event - ABIS mode
1000b	McBSP0 transmit event - ABIS mode
1001b	McBSP2 receive event - ABIS mode
1010b	McBSP2 transmit event - ABIS mode
1011b	McBSP1 receive event - ABIS mode
1100b	McBSP1 transmit event - ABIS mode
1101b	Timer interrupt event

Table 3-12. DMA Synchronization Events (continued)

DSYN VALUE	DMA SYNCHRONIZATION EVENT
1110b	$\overline{\text{INT3}}$ goes active
1111b	Reserved

The DMA controller can generate a CPU interrupt for each of the six channels. However, due to a limit on the number of internal CPU interrupt inputs, channels 0, 1, 2, and 3 are multiplexed with other interrupt sources. DMA channels 0, 1, 2, and 3 share an interrupt line with the receive and transmit portions of the McBSP. When the device is reset, the interrupts from these three DMA channels are deselected. The INTSEL bit field in the DMPREC register can be used to select these interrupts, as shown in [Table 3-13](#).

Table 3-13. DMA Channel Interrupt Selection

INTSEL Value	IMR/IFR[6]	IMR/IFR[7]	IMR/IFR[10]	IMR/IFR[11]
00b (reset)	BRINT2	BXINT2	BRINT1	BXINT1
01b	BRINT2	BXINT2	DMAC2	DMAC3
10b	DMAC0	DMAC1	DMAC2	DMAC3
11b	Reserved			

3.13 General-Purpose I/O Pins

In addition to the standard $\overline{\text{BIO}}$ and XF pins, the device has pins that can be configured for general-purpose I/O. These pins are:

- 18 McBSP pins
 - BCLKX0/1/2,
 - BCLKR0/1/2
 - BDR0/1/2
 - BFSX0/1/2
 - BFSR0/1/2
 - BDX0/1/2
- 8 HPI data pins
 - HD0-HD7

The general-purpose I/O function of these pins is only available when the primary pin function is not required.

3.13.1 McBSP Pins as General-Purpose I/O

When the receive or transmit portion of a McBSP is in reset, its pins can be configured as general-purpose inputs or outputs. For more details on this feature, see [Section 3.8](#).

3.13.2 HPI Data Pins as General-Purpose I/O

The 8-bit bidirectional data bus of the HPI can be used as general-purpose input/output (GPIO) pins when the HPI is disabled (HPIENA = 0) or when the HPI is used in HPI16 mode (HPI16 = 1). Two memory-mapped registers are used to control the GPIO function of the HPI data pins—the general-purpose I/O control register (GPIOCR) and the general-purpose I/O status register (GPIOSR). The GPIOCR is shown in [Figure 3-20](#).

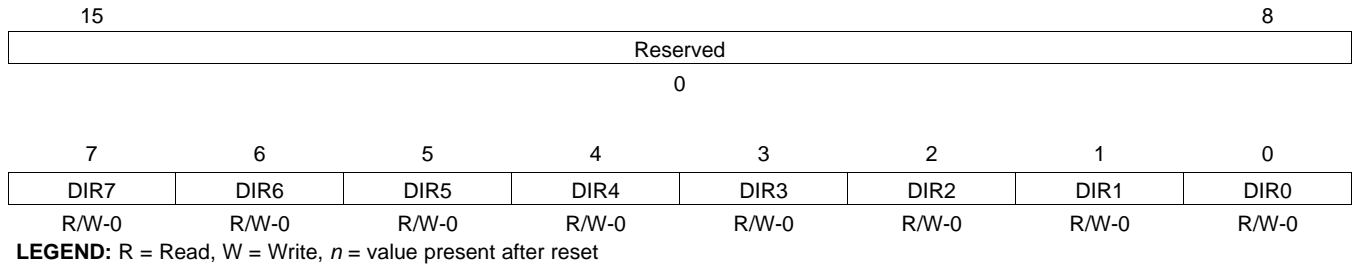


Figure 3-20. General-Purpose I/O Control Register (GPIOCR) [MMR Address 003Ch]

The direction bits (DIRx) are used to configure HD0-HD7 as inputs or outputs.

The status of the GPIO pins can be monitored using the bits of the GPIOSR. The GPIOSR is shown in [Figure 3-21](#).

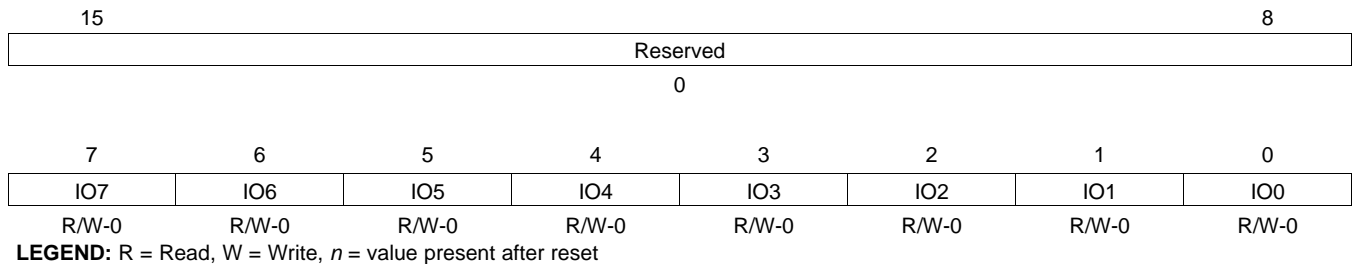


Figure 3-21. General-Purpose I/O Status Register (GPIOSR) [MMR Address 003Dh]

3.14 Device ID Register

A read-only memory-mapped register has been added to the device to allow user application software to identify on which device the program is being executed.

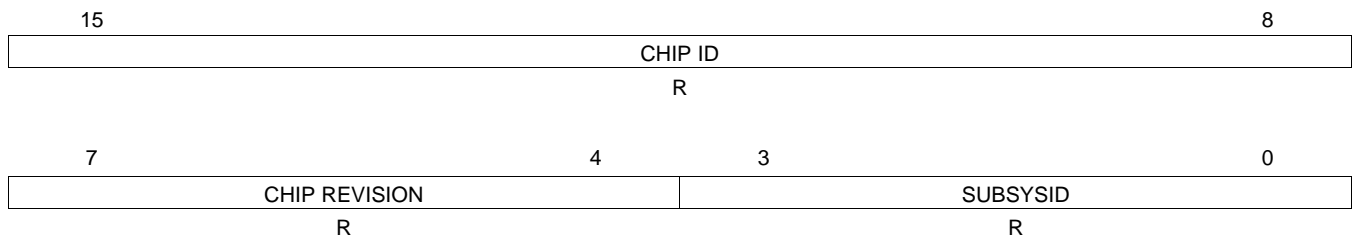


Figure 3-22. Device ID Register (CSIDR) [MMR Address 003Eh]

Table 3-14. Device ID Register (CSIDR) Bits

BIT	FUNCTION
15-8	Chip ID (hex code of 16)
7-4	Chip revision ID
3-0	Subsystem ID (0000b for single core devices)

3.15 Memory-Mapped Registers

The device has 27 memory-mapped CPU registers, which are mapped in data memory space address 0h to 1Fh. Each device also has a set of memory-mapped registers associated with peripherals. [Table 3-15](#) gives a list of CPU memory-mapped registers (MMRs) available. [Table 3-16](#) shows additional peripheral MMRs associated with the device.

Table 3-15. CPU Memory-Mapped Registers

NAME	ADDRESS		DESCRIPTION
	DEC	HEX	
IMR	0	0	Interrupt mask register
IFR	1	1	Interrupt flag register
—	2-5	2-5	Reserved for testing
ST0	6	6	Status register 0
ST1	7	7	Status register 1
AL	8	8	Accumulator A low word (15-0)
AH	9	9	Accumulator A high word (31-16)
AG	10	A	Accumulator A guard bits (39-32)
BL	11	B	Accumulator B low word (15-0)
BH	12	C	Accumulator B high word (31-16)
BG	13	D	Accumulator B guard bits (39-32)
TREG	14	E	Temporary register
TRN	15	F	Transition register
AR0	16	10	Auxiliary register 0
AR1	17	11	Auxiliary register 1
AR2	18	12	Auxiliary register 2
AR3	19	13	Auxiliary register 3
AR4	20	14	Auxiliary register 4
AR5	21	15	Auxiliary register 5
AR6	22	16	Auxiliary register 6
AR7	23	17	Auxiliary register 7
SP	24	18	Stack pointer register
BK	25	19	Circular buffer size register
BRC	26	1A	Block repeat counter
RSA	27	1B	Block repeat start address
REA	28	1C	Block repeat end address
PMST	29	1D	Processor mode status (PMST) register
XPC	30	1E	Extended program page register
—	31	1F	Reserved

Table 3-16. Peripheral Memory-Mapped Registers for Each DSP Subsystem

NAME	ADDRESS		DESCRIPTION
	DEC	HEX	
DRR20	32	20	McBSP 0 Data Receive Register 2
DRR10	33	21	McBSP 0 Data Receive Register 1
DXR20	34	22	McBSP 0 Data Transmit Register 2
DXR10	35	23	McBSP 0 Data Transmit Register 1
TIM	36	24	Timer Register
PRD	37	25	Timer Period Register
TCR	38	26	Timer Control Register

Table 3-16. Peripheral Memory-Mapped Registers for Each DSP Subsystem (continued)

NAME	ADDRESS		DESCRIPTION
	DEC	HEX	
—	39	27	Reserved
SWWSR	40	28	Software Wait-State Register
BSCR	41	29	Bank-Switching Control Register
—	42	2A	Reserved
SWCR	43	2B	Software Wait-State Control Register
HPIC	44	2C	HPI Control Register (HMODE = 0 only)
—	45-47	2D-2F	Reserved
DRR22	48	30	McBSP 2 Data Receive Register 2
DRR12	49	31	McBSP 2 Data Receive Register 1
DXR22	50	32	McBSP 2 Data Transmit Register 2
DXR12	51	33	McBSP 2 Data Transmit Register 1
SPSA2	52	34	McBSP 2 Subbank Address Register ⁽¹⁾
SPSD2	53	35	McBSP 2 Subbank Data Register ⁽¹⁾
—	54-55	36-37	Reserved
SPSA0	56	38	McBSP 0 Subbank Address Register ⁽¹⁾
SPSD0	57	39	McBSP 0 Subbank Data Register ⁽¹⁾
—	58-59	3A-3B	Reserved
GPIOCR	60	3C	General-Purpose I/O Control Register
GPIOSR	61	3D	General-Purpose I/O Status Register
CSIDR	62	3E	Device ID Register
—	63	3F	Reserved
DRR21	64	40	McBSP 1 Data Receive Register 2
DRR11	65	41	McBSP 1 Data Receive Register 1
DXR21	66	42	McBSP 1 Data Transmit Register 2
DXR11	67	43	McBSP 1 Data Transmit Register 1
—	68-71	44-47	Reserved
SPSA1	72	48	McBSP 1 Subbank Address Register ⁽¹⁾
SPSD1	73	49	McBSP 1 Subbank Data Register ⁽¹⁾
—	74-83	4A-53	Reserved
DMPREC	84	54	DMA Priority and Enable Control Register
DMSA	85	55	DMA Subbank Address Register ⁽²⁾
DMSDI	86	56	DMA Subbank Data Register with Autoincrement ⁽²⁾
DMSDN	87	57	DMA Subbank Data Register ⁽²⁾
CLKMD	88	58	Clock Mode Register (CLKMD)
—	89-95	59-5F	Reserved

(1) See [Table 3-17](#) for a detailed description of the McBSP control registers and their subaddresses.

(2) See [Table 3-18](#) for a detailed description of the DMA subbank addressed registers.

3.16 McBSP Control Registers and Subaddresses

The control registers for the multichannel buffered serial port (McBSP) are accessed using the subbank addressing scheme. This allows a set or subbank of registers to be accessed through a single memory location. The McBSP subbank address register (SPSA) is used as a pointer to select a particular register within the subbank. The McBSP data register (SPSDx) is used to access (read or write) the selected register. [Table 3-17](#) shows the McBSP control registers and their corresponding subaddresses.

Table 3-17. McBSP Control Registers and Subaddresses

McBSP0		McBSP1		McBSP2		SUB-ADDRESS	DESCRIPTION
NAME	ADDRESS	NAME	ADDRESS	NAME	ADDRESS		
SPCR10	39h	SPCR11	49h	SPCR12	35h	00h	Serial port control register 1
SPCR20	39h	SPCR21	49h	SPCR22	35h	01h	Serial port control register 2
RCR10	39h	RCR11	49h	RCR12	35h	02h	Receive control register 1
RCR20	39h	RCR21	49h	RCR22	35h	03h	Receive control register 2
XCR10	39h	XCR11	49h	XCR12	35h	04h	Transmit control register 1
XCR20	39h	XCR21	49h	XCR22	35h	05h	Transmit control register 2
SRGR10	39h	SRGR11	49h	SRGR12	35h	06h	Sample rate generator register 1
SRGR20	39h	SRGR21	49h	SRGR22	35h	07h	Sample rate generator register 2
MCR10	39h	MCR11	49h	MCR12	35h	08h	Multichannel control register 1
MCR20	39h	MCR21	49h	MCR22	35h	09h	Multichannel control register 2
RCERA0	39h	RCERA1	49h	RCERA2	35h	0Ah	Receive channel enable register partition A
RCERB0	39h	RCERB1	49h	RCERA2	35h	0Bh	Receive channel enable register partition B
XCERA0	39h	XCERA1	49h	XCERA2	35h	0Ch	Transmit channel enable register partition A
XCERB0	39h	XCERB1	49h	XCERA2	35h	0Dh	Transmit channel enable register partition B
PCR0	39h	PCR1	49h	PCR2	35h	0Eh	Pin control register
RCERC0	39h	RCERC1	49h	RCERC2	35h	010h	Additional channel enable register for 128-channel selection
RCERD0	39h	RCERD1	49h	RCERD2	35h	011h	Additional channel enable register for 128-channel selection
XCERC0	39h	XCERC1	49h	XCERC2	35h	012h	Additional channel enable register for 128-channel selection
XCERD0	39h	XCERD1	49h	XCERD2	35h	013h	Additional channel enable register for 128-channel selection
RCERE0	39h	RCERE1	49h	RCERE2	35h	014h	Additional channel enable register for 128-channel selection
RCERF0	39h	RCERF1	49h	RCERF2	35h	015h	Additional channel enable register for 128-channel selection
XCERE0	39h	XCERE1	49h	XCERE2	35h	016h	Additional channel enable register for 128-channel selection
XCERF0	39h	XCERF1	49h	XCERF2	35h	017h	Additional channel enable register for 128-channel selection
RCERG0	39h	RCERG1	49h	RCERG2	35h	018h	Additional channel enable register for 128-channel selection
RCERH0	39h	RCERH1	49h	RCERH2	35h	019h	Additional channel enable register for 128-channel selection
XCERG0	39h	XCERG1	49h	XCERG2	35h	01Ah	Additional channel enable register for 128-channel selection
XCERH0	39h	XCERH1	49h	XCERH2	35h	01Bh	Additional channel enable register for 128-channel selection

3.17 DMA Subbank Addressed Registers

The direct memory access (DMA) controller has several control registers associated with it. The main control register (DMPREC) is a standard memory-mapped register. However, the other registers are accessed using the subbank addressing scheme. This allows a set or subbank of registers to be accessed through a single memory location. The DMA subbank address (DMSA) register is used as a pointer to select a particular register within the subbank, while the DMA subbank data (DMSD) register or the DMA subbank data register with autoincrement (DMSDI) is used to access (read or write) the selected register.

When the DMSDI register is used to access the subbank, the subbank address is automatically postincremented so that a subsequent access affects the next register within the subbank. This autoincrement feature is intended for efficient, successive accesses to several control registers. If the autoincrement feature is not required, the DMSDN register should be used to access the subbank.

Table 3-18 shows the DMA controller subbank addressed registers and their corresponding subaddresses.

Table 3-18. DMA Subbank Addressed Registers

NAME	ADDRESS	SUB-ADDRESS	DESCRIPTION
DMSRC0	56h/57h	00h	DMA channel 0 source address register
DMDST0	56h/57h	01h	DMA channel 0 destination address register
DMCTR0	56h/57h	02h	DMA channel 0 element count register
DMSFC0	56h/57h	03h	DMA channel 0 sync select and frame count register
DMMCR0	56h/57h	04h	DMA channel 0 transfer mode control register
DMSRC1	56h/57h	05h	DMA channel 1 source address register
DMDST1	56h/57h	06h	DMA channel 1 destination address register
DMCTR1	56h/57h	07h	DMA channel 1 element count register
DMSFC1	56h/57h	08h	DMA channel 1 sync select and frame count register
DMMCR1	56h/57h	09h	DMA channel 1 transfer mode control register
DMSRC2	56h/57h	0Ah	DMA channel 2 source address register
DMDST2	56h/57h	0Bh	DMA channel 2 destination address register
DMCTR2	56h/57h	0Ch	DMA channel 2 element count register
DMSFC2	56h/57h	0Dh	DMA channel 2 sync select and frame count register
DMMCR2	56h/57h	0Eh	DMA channel 2 transfer mode control register
DMSRC3	56h/57h	0Fh	DMA channel 3 source address register
DMDST3	56h/57h	10h	DMA channel 3 destination address register
DMCTR3	56h/57h	11h	DMA channel 3 element count register
DMSFC3	56h/57h	12h	DMA channel 3 sync select and frame count register
DMMCR3	56h/57h	13h	DMA channel 3 transfer mode control register
DMSRC4	56h/57h	14h	DMA channel 4 source address register
DMDST4	56h/57h	15h	DMA channel 4 destination address register
DMCTR4	56h/57h	16h	DMA channel 4 element count register
DMSFC4	56h/57h	17h	DMA channel 4 sync select and frame count register
DMMCR4	56h/57h	18h	DMA channel 4 transfer mode control register
DMSRC5	56h/57h	19h	DMA channel 5 source address register
DMDST5	56h/57h	1Ah	DMA channel 5 destination address register
DMCTR5	56h/57h	1Bh	DMA channel 5 element count register
DMSFC5	56h/57h	1Ch	DMA channel 5 sync select and frame count register
DMMCR5	56h/57h	1Dh	DMA channel 5 transfer mode control register
DMSRCP	56h/57h	1Eh	DMA source program page address (common channel)
DMDSTP	56h/57h	1Fh	DMA destination program page address (common channel)
DMIDX0	56h/57h	20h	DMA element index address register 0
DMIDX1	56h/57h	21h	DMA element index address register 1

Table 3-18. DMA Subbank Addressed Registers (continued)

NAME	ADDRESS	SUB-ADDRESS	DESCRIPTION
DMFRI0	56h/57h	22h	DMA frame index register 0
DMFRI1	56h/57h	23h	DMA frame index register 1
DMGSA0	56h/57h	24h	DMA global source address reload register, channel 0
DMGDA0	56h/57h	25h	DMA global destination address reload register, channel 0
DMGCR0	56h/57h	26h	DMA global count reload register, channel 0
DMGFR0	56h/57h	27h	DMA global frame count reload register, channel 0
XSRCDP	56h/57h	28h	DMA extended source data page (currently not supported)
XDSTDP	56h/57h	29h	DMA extended destination data page (currently not supported)
DMGSA1	56h/57h	2Ah	DMA global source address reload register, channel 1
DMGDA1	56h/57h	2Bh	DMA global destination address reload register, channel 1
DMGCR1	56h/57h	2Ch	DMA global count reload register, channel 1
DMGFR1	56h/57h	2Dh	DMA global frame count reload register, channel 1
DMGSA2	56h/57h	2Eh	DMA global source address reload register, channel 2
DMGDA2	56h/57h	2Fh	DMA global destination address reload register, channel 2
DMGCR2	56h/57h	30h	DMA global count reload register, channel 2
DMGFR2	56h/57h	31h	DMA global frame count reload register, channel 2
DMGSA3	56h/57h	32h	DMA global source address reload register, channel 3
DMGDA3	56h/57h	33h	DMA global destination address reload register, channel 3
DMGCR3	56h/57h	34h	DMA global count reload register, channel 3
DMGFR3	56h/57h	35h	DMA global frame count reload register, channel 3
DMGSA4	56h/57h	36h	DMA global source address reload register, channel 4
DMGDA4	56h/57h	37h	DMA global destination address reload register, channel 4
DMGCR4	56h/57h	38h	DMA global count reload register, channel 4
DMGFR4	56h/57h	39h	DMA global frame count reload register, channel 4
DMGSA5	56h/57h	3Ah	DMA global source address reload register, channel 5
DMGDA5	56h/57h	3Bh	DMA global destination address reload register, channel 5
DMGCR5	56h/57h	3Ch	DMA global count reload register, channel 5
DMGFR5	56h/57h	3Dh	DMA global frame count reload register, channel 5

3.18 Interrupts

Vector-relative locations and priorities for all internal and external interrupts are shown in [Table 3-19](#).

Table 3-19. Interrupt Locations and Priorities

NAME	TRAP/INTR NUMBER (K)	LOCATION DECIMAL HEX		PRIORITY	FUNCTION
\overline{RS} , SINTR	0	0	00	1	Reset (hardware and software reset)
\overline{NMI} , SINT16	1	4	04	2	Nonmaskable interrupt
SINT17	2	8	08	—	Software interrupt #17
SINT18	3	12	0C	—	Software interrupt #18
SINT19	4	16	10	—	Software interrupt #19
SINT20	5	20	14	—	Software interrupt #20
SINT21	6	24	18	—	Software interrupt #21
SINT22	7	28	1C	—	Software interrupt #22
SINT23	8	32	20	—	Software interrupt #23
SINT24	9	36	24	—	Software interrupt #24
SINT25	10	40	28	—	Software interrupt #25
SINT26	11	44	2C	—	Software interrupt #26
SINT27	12	48	30	—	Software interrupt #27
SINT28	13	52	34	—	Software interrupt #28
SINT29	14	56	38	—	Software interrupt #29
SINT30	15	60	3C	—	Software interrupt #30
$\overline{INT0}$, SINT0	16	64	40	3	External user interrupt #0
$\overline{INT1}$, SINT1	17	68	44	4	External user interrupt #1
$\overline{INT2}$, SINT2	18	72	48	5	External user interrupt #2
TINT, SINT3	19	76	4C	6	Timer interrupt
RINT0, SINT4	20	80	50	7	McBSP #0 receive interrupt (default)
XINT0, SINT5	21	84	54	8	McBSP #0 transmit interrupt (default)
RINT2, SINT6	22	88	58	9	McBSP #2 receive interrupt (default)
XINT2, SINT7	23	92	5C	10	McBSP #2 transmit interrupt (default)
$\overline{INT3}$, SINT8	24	96	60	11	External user interrupt #3
\overline{HINT} , SINT9	25	100	64	12	HPI interrupt
RINT1, SINT10	26	104	68	13	McBSP #1 receive interrupt (default)
XINT1, SINT11	27	108	6C	14	McBSP #1 transmit interrupt (default)
DMAC4,SINT12	28	112	70	15	DMA channel 4 (default)
DMAC5,SINT13	29	116	74	16	DMA channel 5 (default)
Reserved	30-31	120-127	78-7F	—	Reserved

The bit layout of the interrupt flag register (IFR) and the interrupt mask register (IMR) is shown in [Figure 3-23](#).



LEGEND: R = Read, W = Write, *n* = value present after reset

Figure 3-23. IFR and IMR Registers

4 Support

4.1 Documentation Support

Extensive documentation supports all TMS320™ DSP family of devices from product announcement through applications development. The following types of documentation are available to support the design and use of the C5000™ platform of DSPs:

SPRU307: [TMS320C54x DSP Family Functional Overview](#)

Provides a functional overview of the devices included in the TMS320C54x™ DSP generation of digital signal processors. Included are descriptions of the CPU architecture, bus structure, memory structure, on-chip peripherals, and instruction set.

SPRA164: [Calculation of TMS320LC54x Power Dissipation](#)

Describes the power-saving features of the TMS320LC54x and presents techniques for analyzing systems and device conditions to determine operating current levels and power dissipation. From this information, informed decisions can be made regarding power supply requirements and thermal management considerations.

The five-volume *TMS320C54x DSP Reference Set* consists of:

SPRU131: [TMS320C54x DSP Reference Set, Volume 1: CPU](#)

Describes the TMS320C54x 16-bit fixed-point general-purpose digital signal processors. Covered are its architecture, internal register structure, data and program addressing, and the instruction pipeline. Also includes development support information, parts lists, and design considerations for using the XDS510 emulator.

SPRU172: [TMS320C54x DSP Reference Set, Volume 2: Mnemonic Instruction Set](#)

Describes the TMS320C54x digital signal processor mnemonic instructions individually. Also includes a summary of instruction set classes and cycles.

SPRU179: [TMS320C54x DSP Reference Set, Volume 3: Algebraic Instruction Set](#)

Describes the TMS320C54x digital signal processor algebraic instructions individually. Also includes a summary of instruction set classes and cycles.

SPRU173: [TMS320C54x DSP Reference Set, Volume 4: Applications Guide](#)

Describes software and hardware applications for the TMS320C54x digital signal processor. Also includes development support information, parts lists, and design considerations for using the XDS510 emulator.

SPRU302: [TMS320C54x DSP Reference Set, Volume 5: Enhanced Peripherals](#)

Describes the enhanced peripherals available on the TMS320C54x digital signal processors. Includes the multichannel buffered serial ports (McBSPs), direct memory access (DMA) controller, interprocessor communications, and the HPI-8 and HPI-16 host port interfaces.

The reference set describes in detail the TMS320C54x™ DSP products currently available and the hardware and software applications, including algorithms, for fixed-point TMS320™ DSP family of devices.

A series of DSP textbooks is published by Prentice-Hall and John Wiley & Sons to support digital signal processing research and education. The TMS320 DSP newsletter, *Details on Signal Processing*, is published quarterly and distributed to update TMS320 DSP customers on product information.

Information regarding TI DSP products is also available on the web at www.ti.com.

4.2 Device and Development-Support Tool Nomenclature

To designate the stages in the product development cycle, TI assigns prefixes to the part numbers of all TMS320 DSP devices and support tools. Each TMS320 DSP commercial family member has one of three prefixes: TMX, TMP, or TMS (e.g., TMS320C6412GDK600). Texas Instruments recommends two of three possible prefix designators for its support tools: TMDX and TMDS. These prefixes represent evolutionary stages of product development from engineering prototypes (TMX/TMDX) through fully qualified production devices/tools (TMS/TMDS).

Device development evolutionary flow:

- TMX** Experimental device that is not necessarily representative of the final device's electrical specifications
- TMP** Final silicon die that conforms to the device's electrical specifications but has not completed quality and reliability verification
- TMS** Fully qualified production device

Support tool development evolutionary flow:

- TMDX** Development-support product that has not yet completed Texas Instruments internal qualification testing.
- TMDS** Fully qualified development-support product

TMX and TMP devices and TMDX development-support tools are shipped with appropriate disclaimers describing their limitations and intended uses.

"Developmental product is intended for internal evaluation purposes."

TMS devices and TMDS development-support tools have been characterized fully, and the quality and reliability of the device have been demonstrated fully. TI's standard warranty applies.

Predictions show that prototype devices (TMX or TMP) have a greater failure rate than the standard production devices. Texas Instruments recommends that these devices not be used in any production system because their expected end-use failure rate still is undefined. Only qualified production devices are to be used.

5 Electrical Specifications

This section provides the absolute maximum ratings and the recommended operating conditions for the TMS320VC5416 DSP.

5.1 Absolute Maximum Ratings

The absolute maximum ratings are measure over operating case temperature range. Stresses beyond those listed under "absolute maximum ratings" may cause permanent damage to the device. These are stress ratings only, and functional operation of the device at these or any other conditions beyond those indicated under [Section 5.3.1](#) is not implied. Exposure to absolute-maximum-rated conditions for extended periods may affect device reliability. All voltage values are with respect to DV_{SS} .

DV_{DD}	Supply voltage I/O range	– 0.3 V to 4.0 V
CV_{DD}	Supply voltage core range	– 0.3 V to 2.0 V
V_I	Input voltage range	– 0.3 V to 4.5 V
V_O	Output voltage range	– 0.3 V to 4.5 V
T_C	Operating case temperature range	– 40°C to 100°C
T_{stg}	Storage temperature range	– 55°C to 150°C

5.2 Recommended Operating Conditions

		MIN	NOM	MAX	UNIT	
DV_{DD}	Device supply voltage, I/O	2.7	3.3	3.6	V	
CV_{DD}	Device supply voltage, core (VC5416-160)	1.55	1.6	1.65	V	
CV_{DD}	Device supply voltage, core (VC5416-120)	1.42	1.5	1.65	V	
DV_{SS} CV_{SS}	Supply voltage, GND	0			V	
V_{IH}	High-level input voltage, I/O	\overline{RS} , \overline{INTn} , \overline{NMI} , X2/CLKIN, \overline{CLKMDn} , \overline{BCLKRn} , \overline{BCLKXn} , \overline{HCS} , $\overline{HDS1}$, $\overline{HDS2}$, \overline{HAS} , \overline{TRST} , \overline{BIO} , Dn , An , HDn , TCK $DV_{DD} = 2.7\text{ V to }3.6\text{ V}$		2.4	$DV_{DD} + 0.3$	V
		All other inputs		2	$DV_{DD} + 0.3$	
V_{IL}	Low-level input voltage	– 0.3		0.8	V	
I_{OH}	High-level output current ⁽¹⁾⁽²⁾			– 8	mA	
I_{OL}	Low-level output current ⁽¹⁾⁽²⁾			8	mA	
T_C	Operating case temperature	– 40		100	°C	

(1) The maximum output currents are DC values only. Transient currents may exceed these values.

(2) These output current limits are used for the test conditions on V_{OL} and V_{OH} , except where noted otherwise.

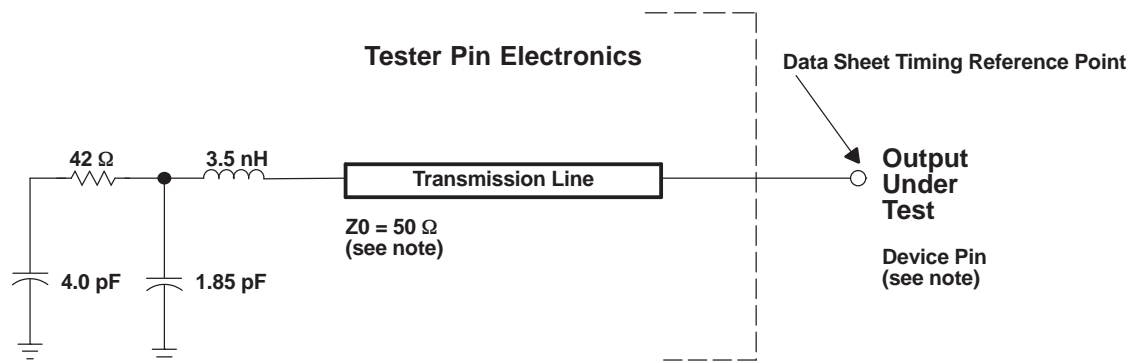
5.3 Electrical Characteristics

The electrical characteristics are measured over recommended operating case temperature range (unless otherwise noted). All values are typical unless otherwise specified.

PARAMETER		TEST CONDITIONS	MIN	TYP	MAX	UNIT
V _{OH}	High-level output voltage ⁽¹⁾	DV _{DD} = 2.7 V to 3 V, I _{OH} = - 2 mA	2.2			V
		DV _{DD} = 3 V to 3.6 V, I _{OH} = MAX	2.4			
V _{OL}	Low-level output voltage ⁽¹⁾	I _{OL} = MAX			0.4	V
I _i	Input current (V _I = DV _{SS} to DV _{DD})	X2/CLKIN		- 40	40	μA
		TRST, HPI16	With internal pulldown	- 10	800	
		HPIENA	With internal pulldown, RS = 0	- 10	400	
		TMS, TCK, TDI, HPI ⁽²⁾	With internal pullups	- 400	10	
		A[17:0], D[15:0], HD[7:0]	Bus holders enabled, DV _{DD} = MAX ⁽³⁾	- 275	275	
	All other input-only pins		- 5	5		
I _{DCC}	Supply current, core CPU	CV _{DD} = 1.6 V, f _x = 160, ⁽⁴⁾ T _C = 25°C		60 ⁽⁵⁾		mA
I _{DDP}	Supply current, pins	DV _{DD} = 3.0 V, f _x = 160 MHz, ⁽⁴⁾ T _C = 25°C		40 ⁽⁶⁾		mA
I _{DD}	Supply current, standby	IDLE2	PLL × 1 mode, 20 MHz input		2	mA
		IDLE3 Divide-by-two mode, CLKIN stopped	T _C = 25°C		1	
			T _C = 100°C		30	
C _i	Input capacitance			5		pF
C _o	Output capacitance			5		pF

- (1) All input and output voltage levels except RS, INT0-INT3, NMI, X2/CLKIN, CLKMD1-CLKMD3, BCLKRn, BCLKXn, HCS, HAS, HDS1, HDS2, BIO, TCK, TRST, Dn, An, HDn are LVTTTL-compatible.
- (2) HPI input signals except for HPIENA and HPI16, when HPIENA = 0.
- (3) V_{IL(MIN)} ≤ V_I ≤ V_{IL(MAX)} or V_{IH(MIN)} ≤ V_I ≤ V_{IH(MAX)}
- (4) Clock mode: PLL × 1 with external source
- (5) This value was obtained with 50% usage of MAC and 50% usage of NOP instructions. Actual operating current varies with program being executed.
- (6) This value was obtained with single-cycle external writes, CLKOFF = 0 and load = 15 pF. For more details on how this calculation is performed, refer to the *Calculation of TMS320LC54x Power Dissipation* application report (literature number SPRA164).

5.3.1 Test Loading



NOTE: The data sheet provides timing at the device pin. For output timing analysis, the tester pin electronics and its transmission line effects must be taken into account. A transmission line with a delay of 2 ns or longer can be used to produce the desired transmission line effect. The transmission line is intended as a load only. It is not necessary to add or subtract the transmission line delay (2 ns or longer) from the data sheet timings.

Input requirements in this data sheet are tested with an input slew rate of < 4 Volts per nanosecond (4 V/ns) at the device pin.

Figure 5-1. Tester Pin Electronics

5.3.2 Timing Parameter Symbology

Timing parameter symbols used in the timing requirements and switching characteristics tables are created in accordance with JEDEC Standard 100. To shorten the symbols, some of the pin names and other related terminology have been abbreviated as follows:

Lowercase subscripts and their meanings:

a	access time
c	cycle time (period)
d	delay time
dis	disable time
en	enable time
f	fall time
h	hold time
r	rise time
su	setup time
t	transition time
v	valid time
w	pulse duration (width)
X	Unknown, changing, or don't care level

Letters and symbols and their meanings:

H	High
L	Low
V	Valid
Z	High impedance

5.3.3 Internal Oscillator With External Crystal

The internal oscillator is enabled by selecting the appropriate clock mode at reset (this is device-dependent; see [Section 3.10](#)) and connecting a crystal or ceramic resonator across X1 and X2/CLKIN. The CPU clock frequency is one-half, one-fourth, or a multiple of the oscillator frequency. The multiply ratio is determined by the bit settings in the CLKMD register.

The crystal should be in fundamental-mode operation, and parallel resonant, with an effective series resistance of 30Ω maximum and power dissipation of 1 mW. The connection of the required circuit, consisting of the crystal and two load capacitors, is shown in [Figure 5-2](#). The load capacitors, C₁ and C₂, should be chosen such that the equation below is satisfied. C_L (recommended value of 10 pF) in the equation is the load specified for the crystal.

$$C_L = \frac{C_1 C_2}{(C_1 + C_2)}$$

Table 5-1. Input Clock Frequency Characteristics

	MIN	MAX	Unit
f _x Input clock frequency	10 ⁽¹⁾	20 ⁽²⁾	MHz

- (1) This device utilizes a fully static design and therefore can operate with t_{c(C1)} approaching ∞. The device is characterized at frequencies approaching 0 Hz
- (2) It is recommended that the PLL multiply by N clocking option be used for maximum frequency operation.

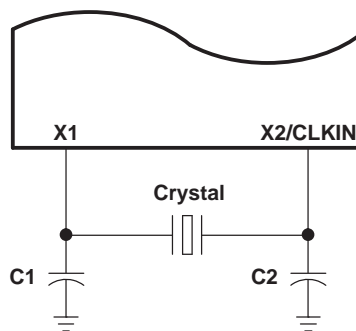


Figure 5-2. Internal Divide-By-Two Clock Option With External Crystal

5.4 Clock Options

The frequency of the reference clock provided at the CLKIN pin can be divided by a factor of two or four or multiplied by one of several values to generate the internal machine cycle.

5.4.1 Divide-By-Two and Divide-By-Four Clock Options

The frequency of the reference clock provided at the X2/CLKIN pin can be divided by a factor of two or four to generate the internal machine cycle. The selection of the clock mode is described in [Section 3.10](#).

When an external clock source is used, the frequency injected must conform to specifications listed in [Table 5-3](#).

An external frequency source can be used by applying an input clock to X2/CLKIN with X1 left unconnected.

[Table 5-2](#) shows the configuration options for the CLKMD pins that generate the external divide-by-2 or divide-by-4 clock option. [Table 5-3](#) and [Table 5-4](#) assume testing over recommended operating conditions and $H = 0.5t_{c(CO)}$ (see [Figure 5-3](#)).

Table 5-2. Clock Mode Pin Settings for the Divide-By-2 and By Divide-By-4 Clock Options

CLKMD1	CLKMD2	CLKMD3	Clock Mode
0	0	0	1/2, PLL disabled
1	0	1	1/4, PLL disabled
1	1	1	1/2, PLL disabled

Table 5-3. Divide-By-2 and Divide-By-4 Clock Options Timing Requirements

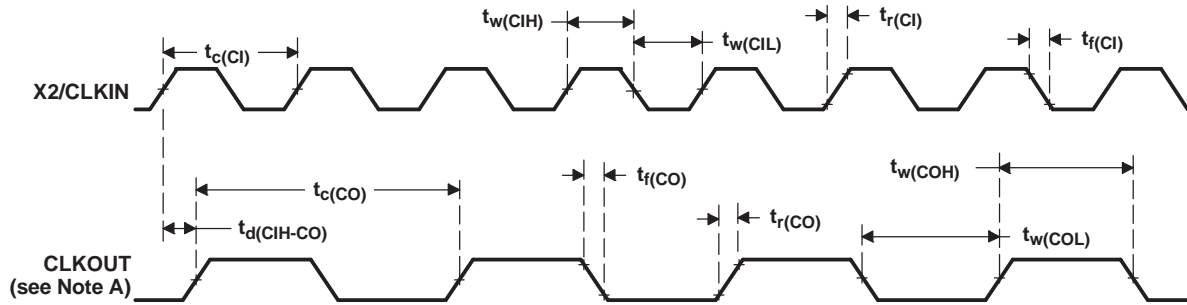
		5416-120 5416-160		Unit
		MIN	MAX	
$t_{c(CI)}$	Cycle time, X2/CLKIN	20		ns
$t_{f(CI)}$	Fall time, X2/CLKIN	4		ns
$t_{r(CI)}$	Rise time, X2/CLKIN	4		ns
$t_{w(CIL)}$	Pulse duration, X2/CLKIN low	4		ns
$t_{w(CIH)}$	Pulse duration, X2/CLKIN high	4		ns

Table 5-4. Divide-By-2 and Divide-By-4 Clock Options Switching Characteristics

PARAMETER		5416-120			5416-160			Unit
		MIN	TYP	MAX	MIN	TYP	MAX	
$t_{c(CO)}$	Cycle time, CLKOUT	8.33 ⁽¹⁾		⁽²⁾	6.25 ⁽¹⁾		⁽²⁾	ns
$t_{d(CIH-CO)}$	Delay time, X2/CLKIN high to CLKOUT high/low	4	7	11	4	7	11	ns
$t_{f(CO)}$	Fall time, CLKOUT	1			1			ns
$t_{r(CO)}$	Rise time, CLKOUT	1			1			ns
$t_{w(COL)}$	Pulse duration, CLKOUT low	H – 2	H	H + 1	H – 2	H	H + 1	ns
$t_{w(COH)}$	Pulse duration, CLKOUT high	H – 2	H	H + 1	H – 2	H	H + 1	ns

(1) It is recommended that the PLL clocking operation be used for maximum frequency operation.

(2) This device utilizes a fully static design and therefore can operate with $t_{c(CI)}$ approaching ∞ . The device is characterized at frequencies approaching 0 Hz.



- A. The CLKOUT timing in this diagram assumes the CLKOUT divide factor (DIVFCT field in the BSCR) is configured as 00 (CLKOUT not divided). DIVFCT is configured as CLKOUT divided-by-4 mode following reset.

Figure 5-3. External Divide-By-Two Clock Timing

5.4.2 Multiply-By-N Clock Option (PLL Enabled)

The frequency of the reference clock provided at the X2/CLKIN pin can be multiplied by a factor of N to generate the internal machine cycle. The selection of the clock mode and the value of N is described in Section 3.10. Following reset, the software PLL can be programmed for the desired multiplication factor. Refer to the *TMS320C54x DSP Reference Set, Volume 1: CPU and Peripherals* (literature number SPRU131) for detailed information on programming the PLL.

When an external clock source is used, the external frequency injected must conform to specifications listed in Table 5-5.

Table 5-5 and Table 5-6 assume testing over recommended operating conditions and $H = 0.5t_{c(CO)}$ (see Figure 5-4).

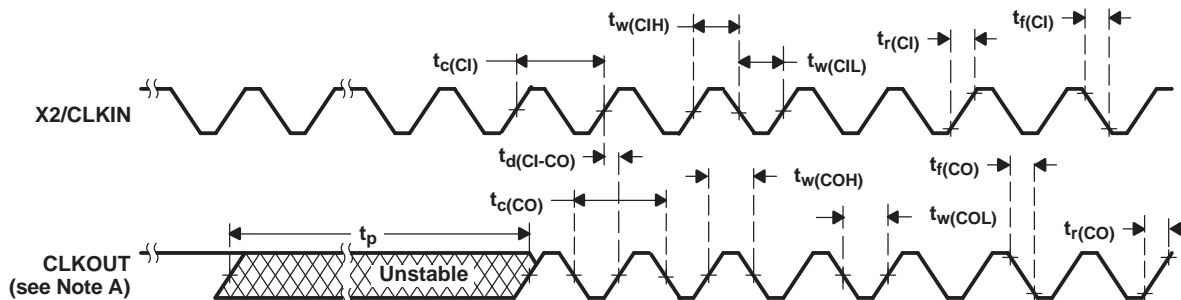
Table 5-5. Multiply-By-N Clock Option Timing Requirements

		5416-120 5416-160		Unit
		MIN	MAX	
$t_{c(CI)}$ Cycle time, X2/CLKIN	Integer PLL multiplier N (N = 1-15) ⁽¹⁾	20	200	ns
	PLL multiplier N = x.5 ⁽¹⁾	20	100	
	PLL multiplier N = x.25, x.75 ⁽¹⁾	20	50	
$t_{f(CI)}$ Fall time, X2/CLKIN			4	ns
$t_{r(CI)}$ Rise time, X2/CLKIN			4	ns
$t_{w(CIL)}$ Pulse duration, X2/CLKIN low			4	ns
$t_{w(CIH)}$ Pulse duration, X2/CLKIN high			4	ns

(1) N is the multiplication factor.

Table 5-6. Multiply-By-N Clock Option Switching Characteristics

PARAMETER	5416-120			5416-160			Unit
	MIN	TYP	MAX	MIN	TYP	MAX	
$t_{c(CO)}$ Cycle time, CLKOUT	8.33			6.25			ns
$t_{d(CI-CO)}$ Delay time, X2/CLKIN high/low to CLKOUT high/low	4	7	11	4	7	11	ns
$t_{f(CO)}$ Fall time, CLKOUT		2			2		ns
$t_{r(CO)}$ Rise time, CLKOUT		2			2		ns
$t_{w(COL)}$ Pulse duration, CLKOUT low	H - 2	H	H + 1	H - 2	H	H + 1	ns
$t_{w(COH)}$ Pulse duration, CLKOUT high	H - 2	H	H + 1	H - 2	H	H + 1	ns
t_p Transitory phase, PLL lock-up time			30			30	ms



A. The CLKOUT timing in this diagram assumes the CLKOUT divide factor (DIVFCT field in the BSCR) is configured as 00 (CLKOUT not divided). DIVFCT is configured as CLKOUT divided-by-4 mode following reset.

Figure 5-4. Multiply-By-One Clock Timing

5.5 Memory and Parallel I/O Interface Timing

5.5.1 Memory Read

External memory reads can be performed in consecutive or nonconsecutive mode under control of the $\overline{\text{CONSEC}}$ bit in the BSCR. Table 5-7 and Table 5-8 assume testing over recommended operating conditions with $\text{MSTRB} = 0$ and $H = 0.5t_{c(\text{CO})}$ (see Figure 5-5 and Figure 5-6).

Table 5-7. Memory Read Timing Requirements

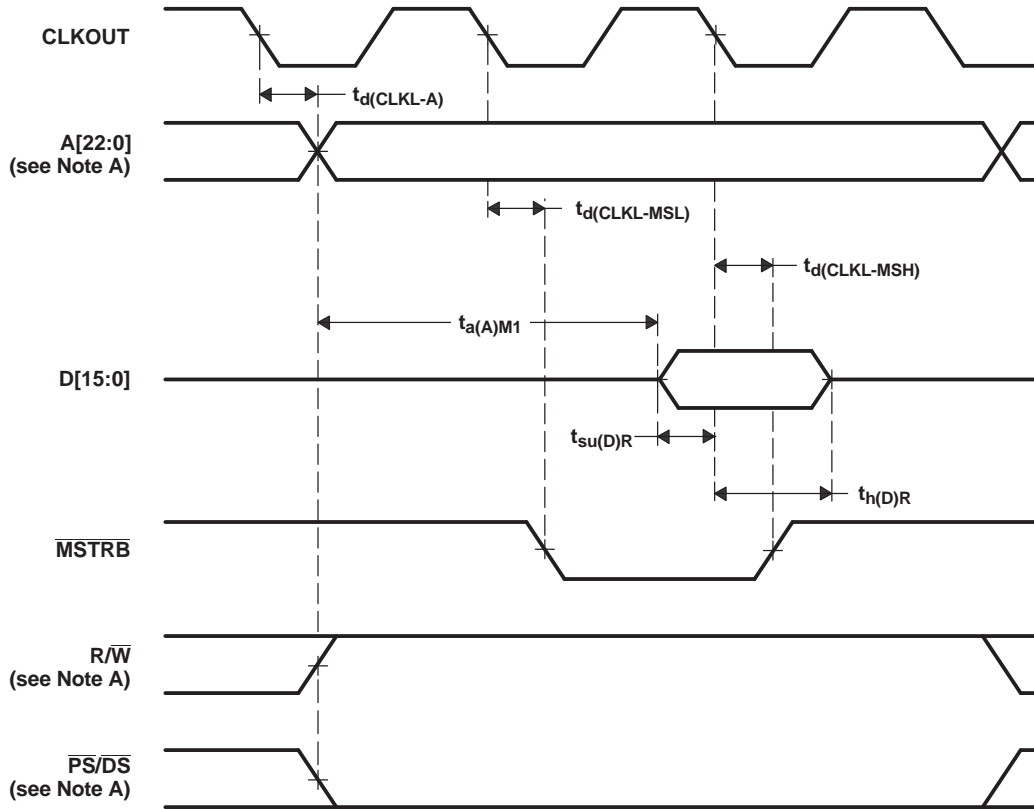
		5416-120 5416-160		UNIT
		MIN	MAX	
$t_{a(A)M1}$	Access time, read data access from address valid, first read access ⁽¹⁾	4H–9		ns
$t_{a(A)M2}$	Access time, read data access from address valid, consecutive read accesses ⁽¹⁾	2H–9		ns
$t_{su(D)R}$	Setup time, read data valid before CLKOUT low	7		ns
$t_{h(D)R}$	Hold time, read data valid after CLKOUT low	0		ns

(1) Address, $\overline{\text{R/W}}$, $\overline{\text{PS}}$, $\overline{\text{DS}}$, and $\overline{\text{IS}}$ timings are all included in timings referenced as address.

Table 5-8. Memory Read Switching Characteristics

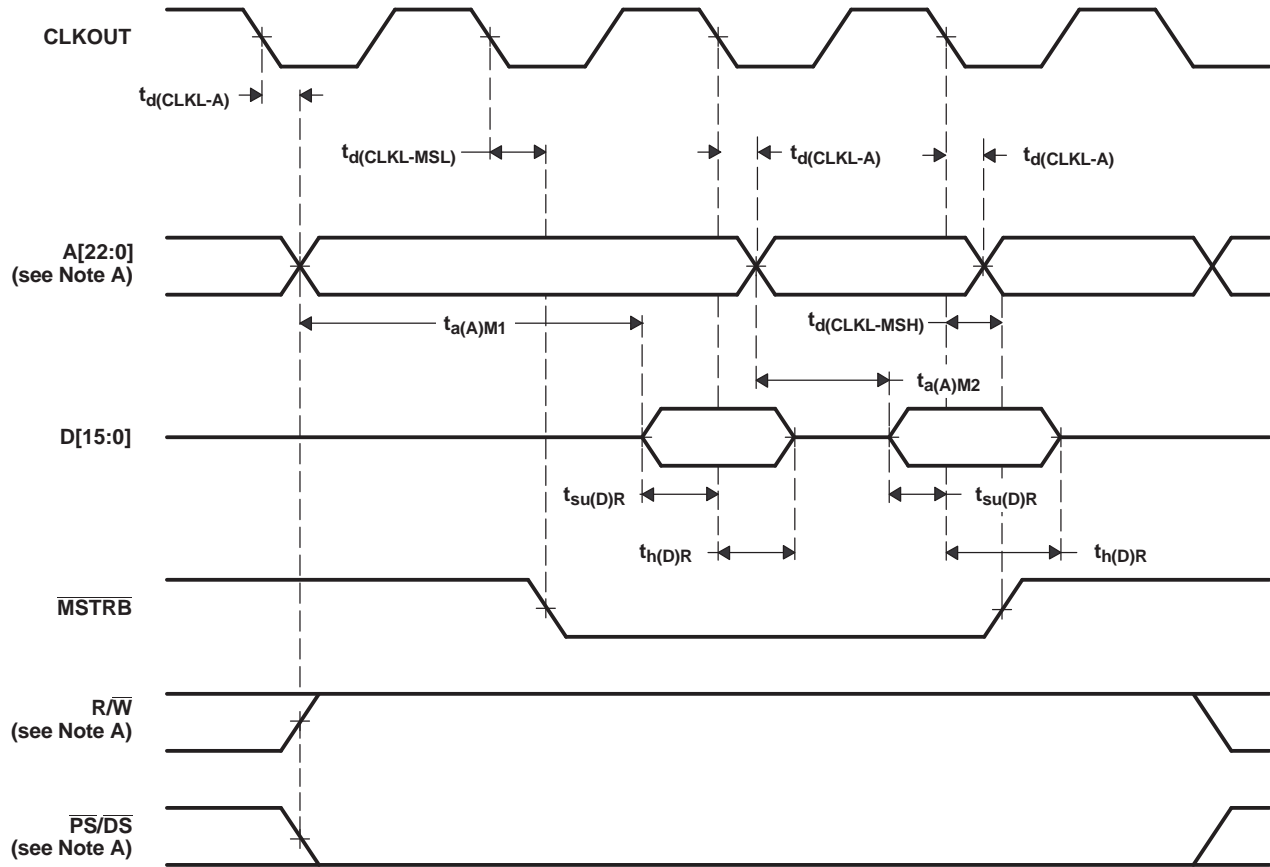
PARAMETER		5416-120 5416-160		UNIT
		MIN	MAX	
$t_{d(\text{CLKL-A})}$	Delay time, CLKOUT low to address valid ⁽¹⁾	–1	4	ns
$t_{d(\text{CLKL-MSL})}$	Delay time, CLKOUT low to $\overline{\text{MSTRB}}$ low	–1	4	ns
$t_{d(\text{CLKL-MSH})}$	Delay time, CLKOUT low to $\overline{\text{MSTRB}}$ high	0	4	ns

(1) Address, $\overline{\text{R/W}}$, $\overline{\text{PS}}$, $\overline{\text{DS}}$, and $\overline{\text{IS}}$ timings are all included in timings referenced as address.



A. Address, $\overline{\text{R/W}}$, $\overline{\text{PS}}$, $\overline{\text{DS}}$, and $\overline{\text{IS}}$ timings are all included in timings referenced as address.

Figure 5-5. Nonconsecutive Mode Memory Reads



A. Address, $\overline{\text{R/W}}$, $\overline{\text{PS}}$, $\overline{\text{DS}}$, and $\overline{\text{IS}}$ timings are all included in timings referenced as address.

Figure 5-6. Consecutive Mode Memory Reads

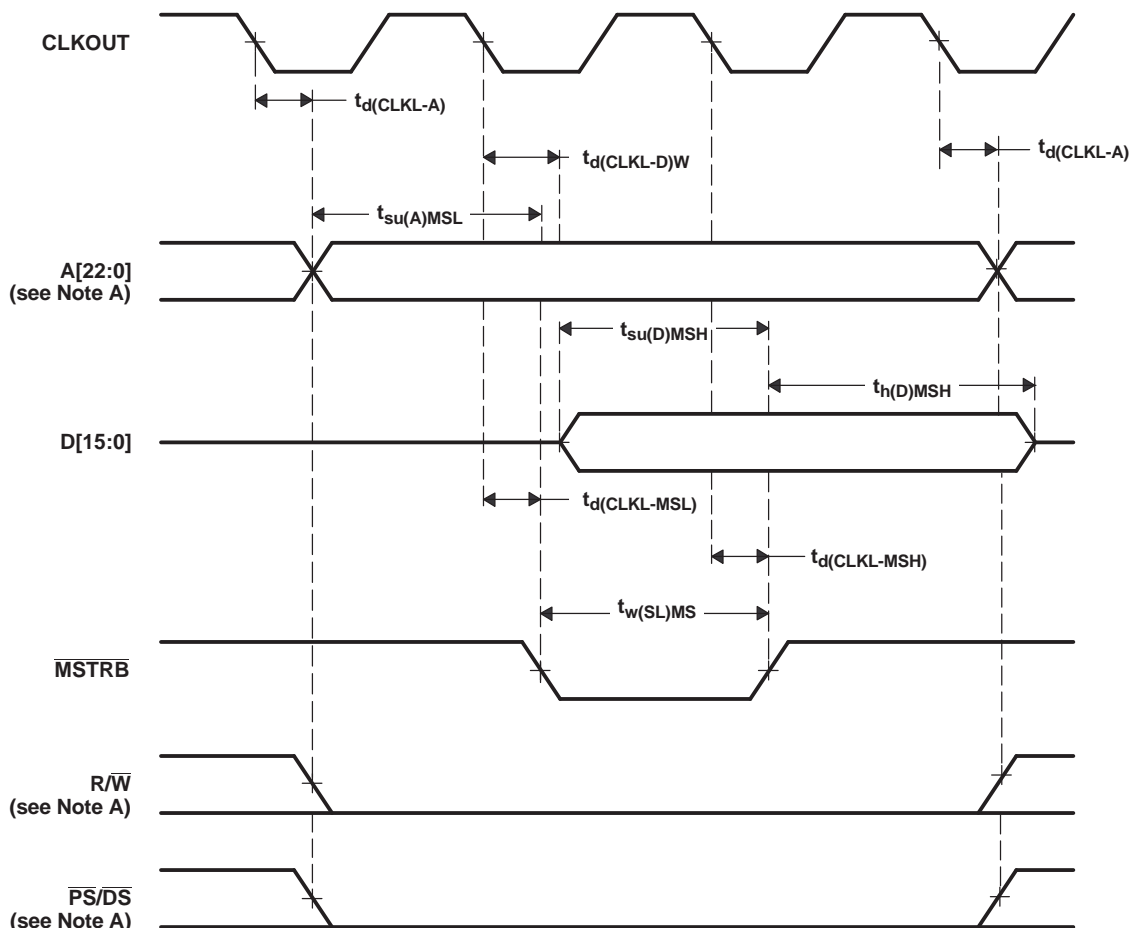
5.5.2 Memory Write

Table 5-9 assumes testing over recommended operating conditions with $\overline{\text{MSTRB}} = 0$ and $H = 0.5t_{c(CO)}$ (see Figure 5-7).

Table 5-9. Memory Write Switching Characteristics

PARAMETER	5416-120 5416-160		UNIT	
	MIN	MAX		
$t_{d(\text{CLKL-A})}$	Delay time, CLKOUT low to address valid ⁽¹⁾	-1	4	ns
$t_{su(\text{A})\text{MSL}}$	Setup time, address valid before $\overline{\text{MSTRB}}$ low ⁽¹⁾	2H - 3		ns
$t_{d(\text{CLKL-D})\text{W}}$	Delay time, CLKOUT low to data valid	-1	4	ns
$t_{su(\text{D})\text{MSH}}$	Setup time, data valid before $\overline{\text{MSTRB}}$ high	2H - 4	2H + 6	ns
$t_{h(\text{D})\text{MSH}}$	Hold time, data valid after $\overline{\text{MSTRB}}$ high	2H - 5	2H + 6	ns
$t_{d(\text{CLKL-MSL})}$	Delay time, CLKOUT low to $\overline{\text{MSTRB}}$ low	-1	4	ns
$t_{w(\text{SL})\text{MS}}$	Pulse duration, $\overline{\text{MSTRB}}$ low	2H - 2		ns
$t_{d(\text{CLKL-MSH})}$	Delay time, CLKOUT low to $\overline{\text{MSTRB}}$ high	0	4	ns

(1) Address, $\overline{\text{R/W}}$, $\overline{\text{PS}}$, $\overline{\text{DS}}$, and $\overline{\text{IS}}$ timings are all included in timings referenced as address.



A. Address, $\overline{\text{R/W}}$, $\overline{\text{PS}}$, $\overline{\text{DS}}$, and $\overline{\text{IS}}$ timings are all included in timings referenced as address.

Figure 5-7. Memory Write ($\overline{\text{MSTRB}} = 0$)

5.5.3 I/O Read

Table 5-10 and Table 5-11 assume testing over recommended operating conditions, $\overline{\text{IOSTRB}} = 0$, and $H = 0.5t_{c(\text{CO})}$ (see Figure 5-8).

Table 5-10. I/O Read Timing Requirements

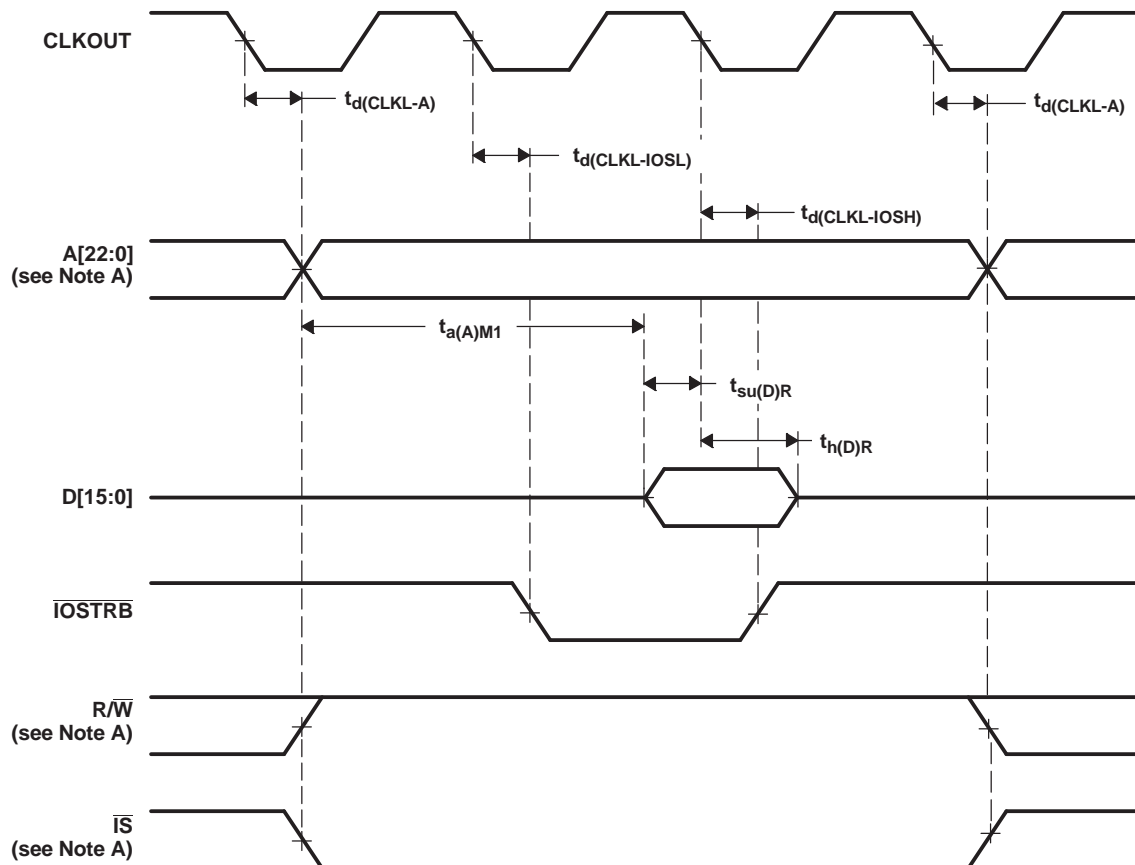
		5416-120 5416-160		UNIT
		MIN	MAX	
$t_{a(\text{A})\text{M1}}$	Access time, read data access from address valid, first read access ⁽¹⁾	4H – 9		ns
$t_{\text{su}(\text{D})\text{R}}$	Setup time, read data valid before CLKOUT low	7		ns
$t_{\text{h}(\text{D})\text{R}}$	Hold time, read data valid after CLKOUT low	0		ns

(1) Address, $\overline{\text{R/W}}$, $\overline{\text{PS}}$, $\overline{\text{DS}}$, and $\overline{\text{IS}}$ timings are all included in timings referenced as address.

Table 5-11. I/O Read Switching Characteristics

PARAMETER	5416-120 5416-160		UNIT
	MIN	MAX	
$t_{\text{d}(\text{CLKL}-\text{A})}$	– 1	4	ns
$t_{\text{d}(\text{CLKL}-\text{IOSL})}$	– 1	4	ns
$t_{\text{d}(\text{CLKL}-\text{IOSH})}$	0	4	ns

(1) Address, $\overline{\text{R/W}}$, $\overline{\text{PS}}$, $\overline{\text{DS}}$, and $\overline{\text{IS}}$ timings are all included in timings referenced as address.



A. Address, $\overline{\text{R/W}}$, $\overline{\text{PS}}$, $\overline{\text{DS}}$, and $\overline{\text{IS}}$ timings are all included in timings referenced as address.

Figure 5-8. Parallel I/O Port Read ($\overline{\text{IOSTRB}} = 0$)

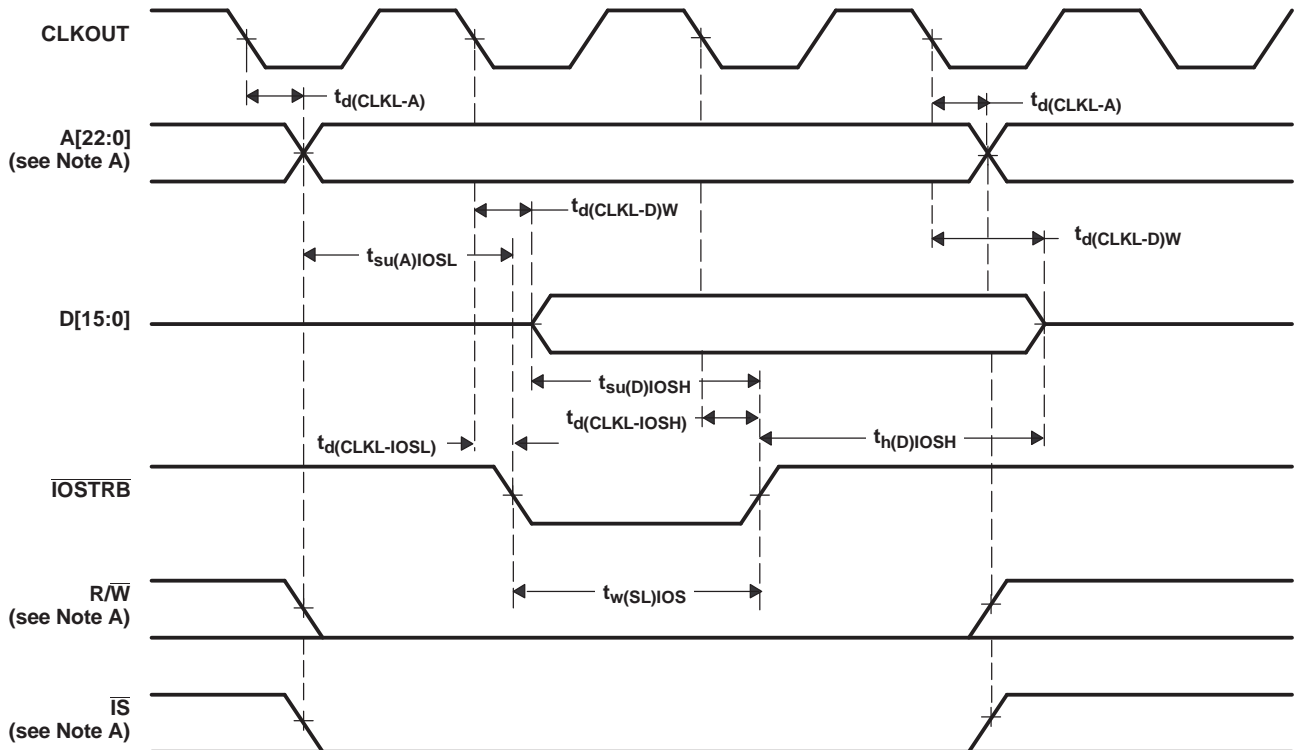
5.5.4 I/O Write

Table 5-12 assumes testing over recommended operating conditions, $\overline{\text{IOSTRB}} = 0$, and $H = 0.5t_{c(\text{CO})}$ (see Figure 5-9).

Table 5-12. I/O Write Switching Characteristics

PARAMETER	5416-120 5416-160		UNIT
	MIN	MAX	
$t_{d(\text{CLKL-A})}$	-1	4	ns
$t_{su(\text{A})\text{IOSL}}$	2H - 3		ns
$t_{d(\text{CLKL-D})\text{W}}$	-1	4	ns
$t_{su(\text{D})\text{IOSH}}$	2H - 4	2H + 6	ns
$t_{h(\text{D})\text{IOSH}}$	2H - 5	2H + 6	ns
$t_{d(\text{CLKL-IOSL})}$	-1	4	ns
$t_{w(\text{SL})\text{IOS}}$	2H - 2		ns
$t_{d(\text{CLKL-IOSH})}$	0	4	ns

(1) Address, $\text{R}/\overline{\text{W}}$, $\overline{\text{PS}}$, $\overline{\text{DS}}$, and $\overline{\text{IS}}$ timings are all included in timings referenced as address.



A. Address, $\text{R}/\overline{\text{W}}$, $\overline{\text{PS}}$, $\overline{\text{DS}}$, and $\overline{\text{IS}}$ timings are all included in timings referenced as address.

Figure 5-9. Parallel I/O Port Write ($\overline{\text{IOSTRB}} = 0$)

5.5.5 Ready Timing for Externally Generated Wait States

Table 5-13 and Table 5-14 assume testing over recommended operating conditions and $H = 0.5t_{c(CO)}$ (see Figure 5-10, Figure 5-11, Figure 5-12, and Figure 5-13).

Table 5-13. Ready Timing Requirements for Externally Generated Wait States⁽¹⁾

		5416-120 5416-160		UNIT
		MIN	MAX	
$t_{su(RDY)}$	Setup time, READY before CLKOUT low	7		ns
$t_{h(RDY)}$	Hold time, READY after CLKOUT low	0		ns
$t_{v(RDY)MSTRB}$	Valid time, READY after \overline{MSTRB} low ⁽²⁾	4H	4	ns
$t_{h(RDY)MSTRB}$	Hold time, READY after \overline{MSTRB} low ⁽²⁾	4H		ns
$t_{v(RDY)IOSTRB}$	Valid time, READY after \overline{IOSTRB} low ⁽²⁾	4H	4	ns
$t_{h(RDY)IOSTRB}$	Hold time, READY after \overline{IOSTRB} low ⁽²⁾	4H		ns

- (1) The hardware wait states can be used only in conjunction with the software wait states to extend the bus cycles. To generate wait states by READY, as least two software wait states must be programmed. READY is not sampled until the completion of the internal software wait states.
- (2) These timings are included for reference only. The critical timings for READY are those referenced to CLKOUT.

Table 5-14. Ready Switching Characteristics for Externally Generated Wait States⁽¹⁾

PARAMETER		5416-120 5416-160		UNIT
		MIN	MAX	
$t_{d(MSCL)}$	Delay time, CLKOUT low to \overline{MSC} low	0	4	ns
$t_{d(MSCH)}$	Delay time, CLKOUT low to \overline{MSC} high	0	4	ns

- (1) The hardware wait states can be used only in conjunction with the software wait states to extend the bus cycles. To generate wait states by READY, as least two software wait states must be programmed. READY is not sampled until the completion of the internal software wait states.

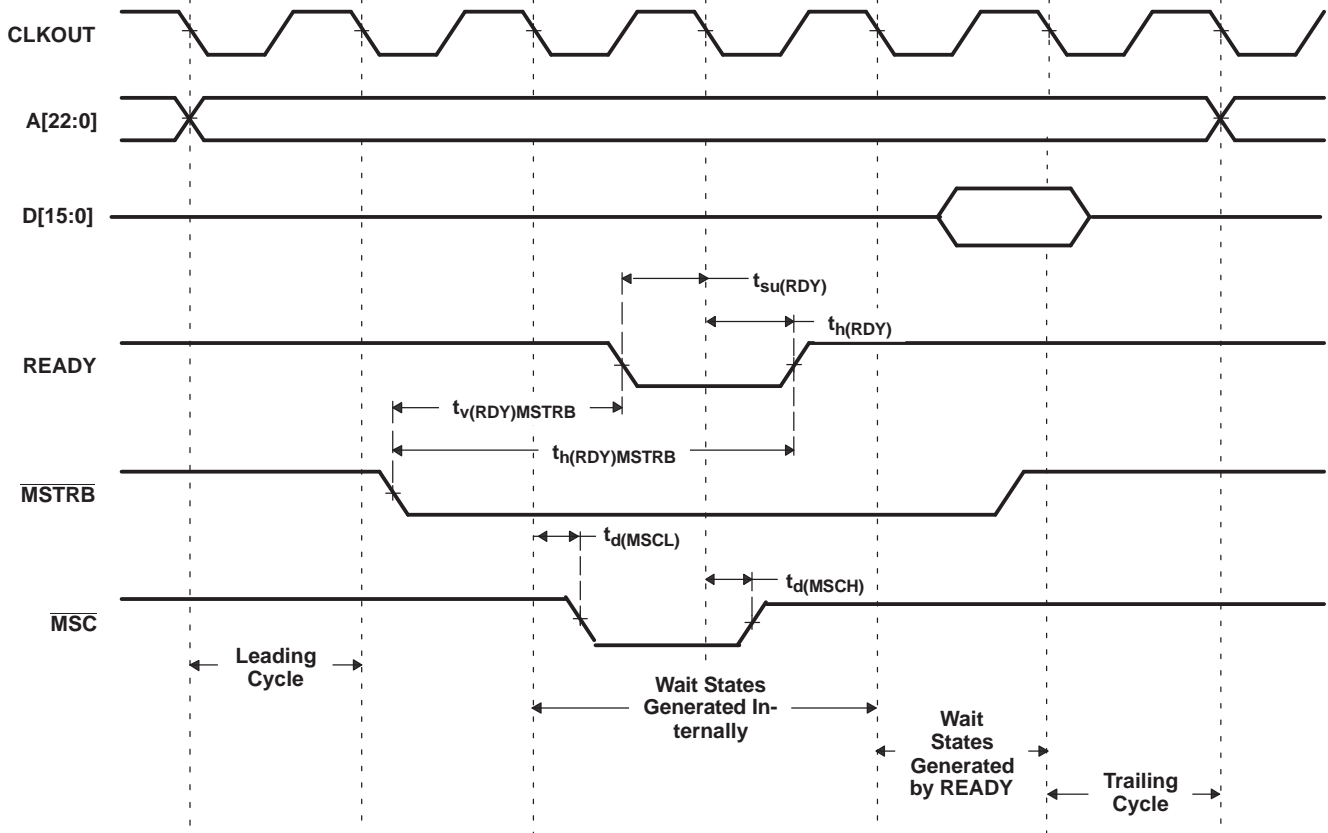


Figure 5-10. Memory Read With Externally Generated Wait States

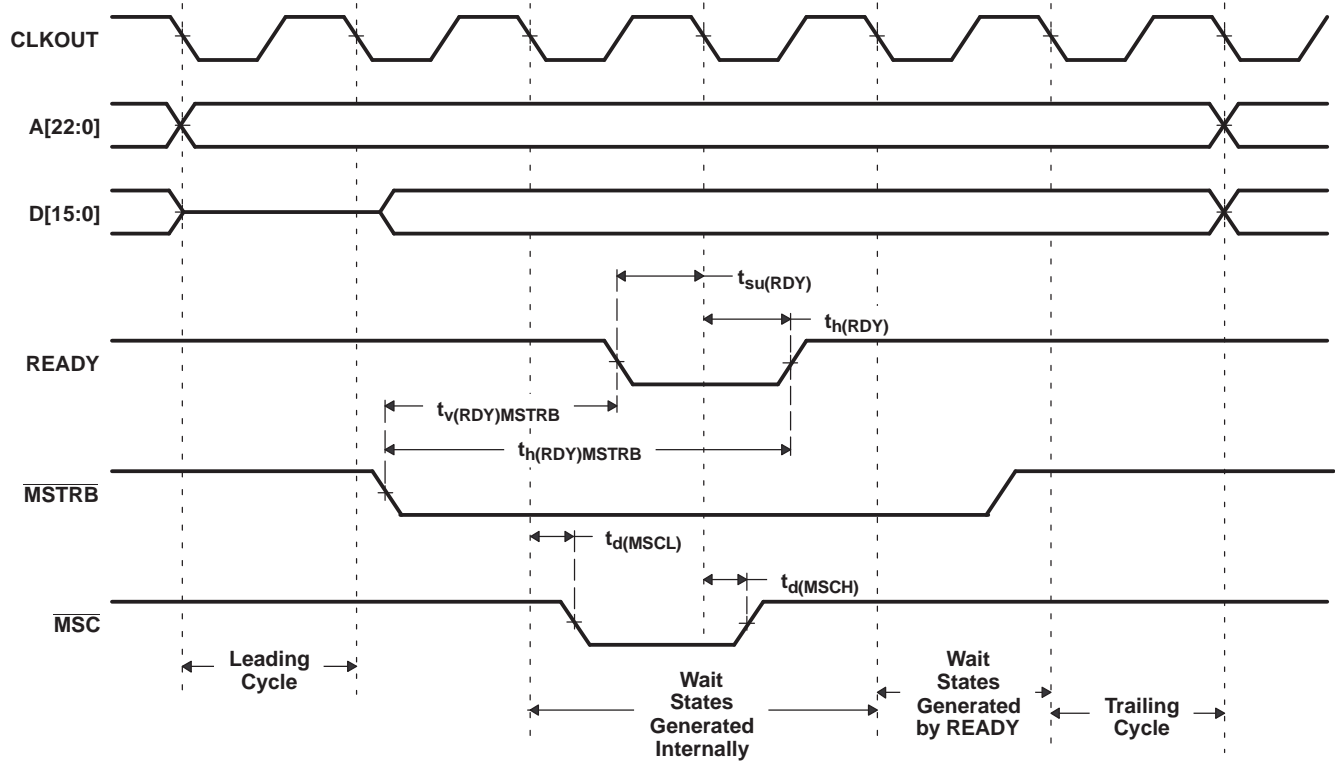


Figure 5-11. Memory Write With Externally Generated Wait States

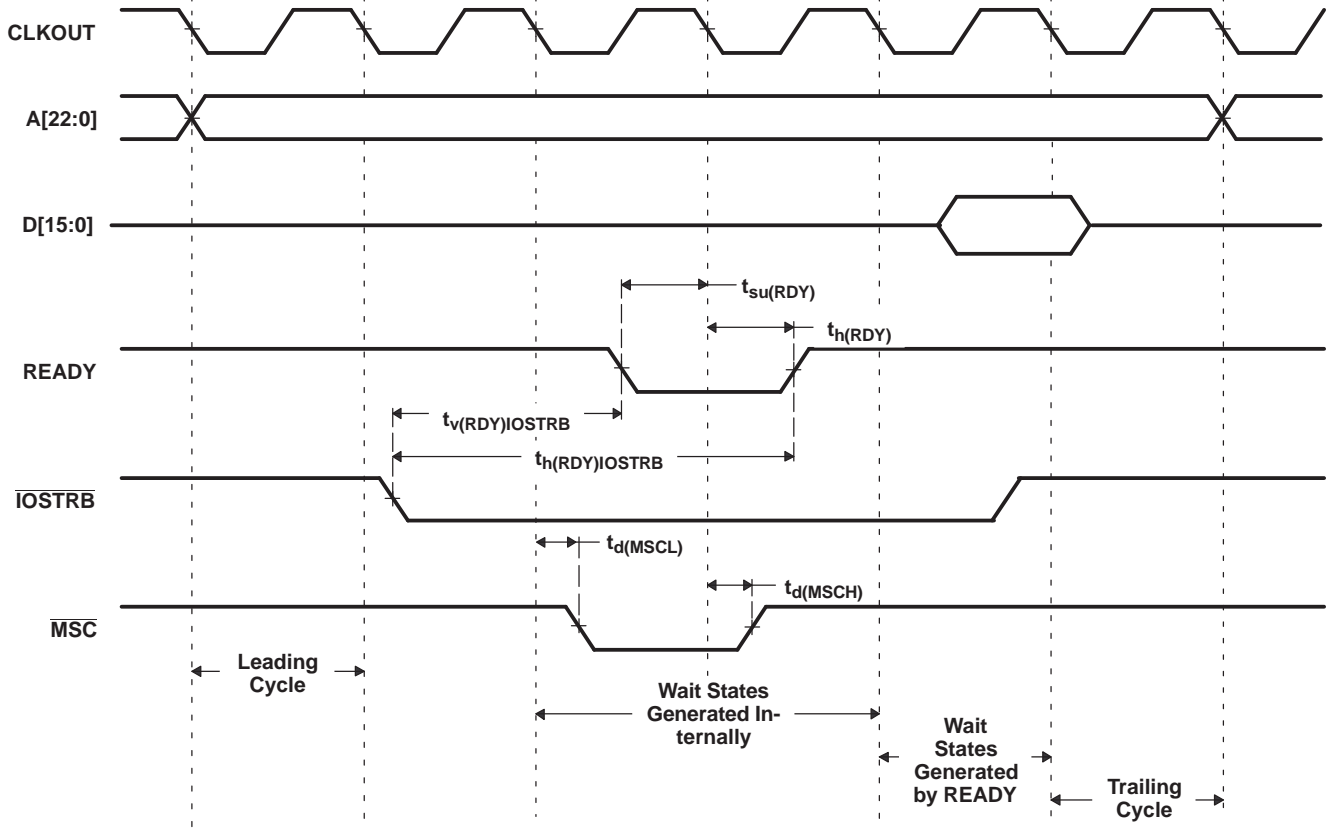


Figure 5-12. I/O Read With Externally Generated Wait States

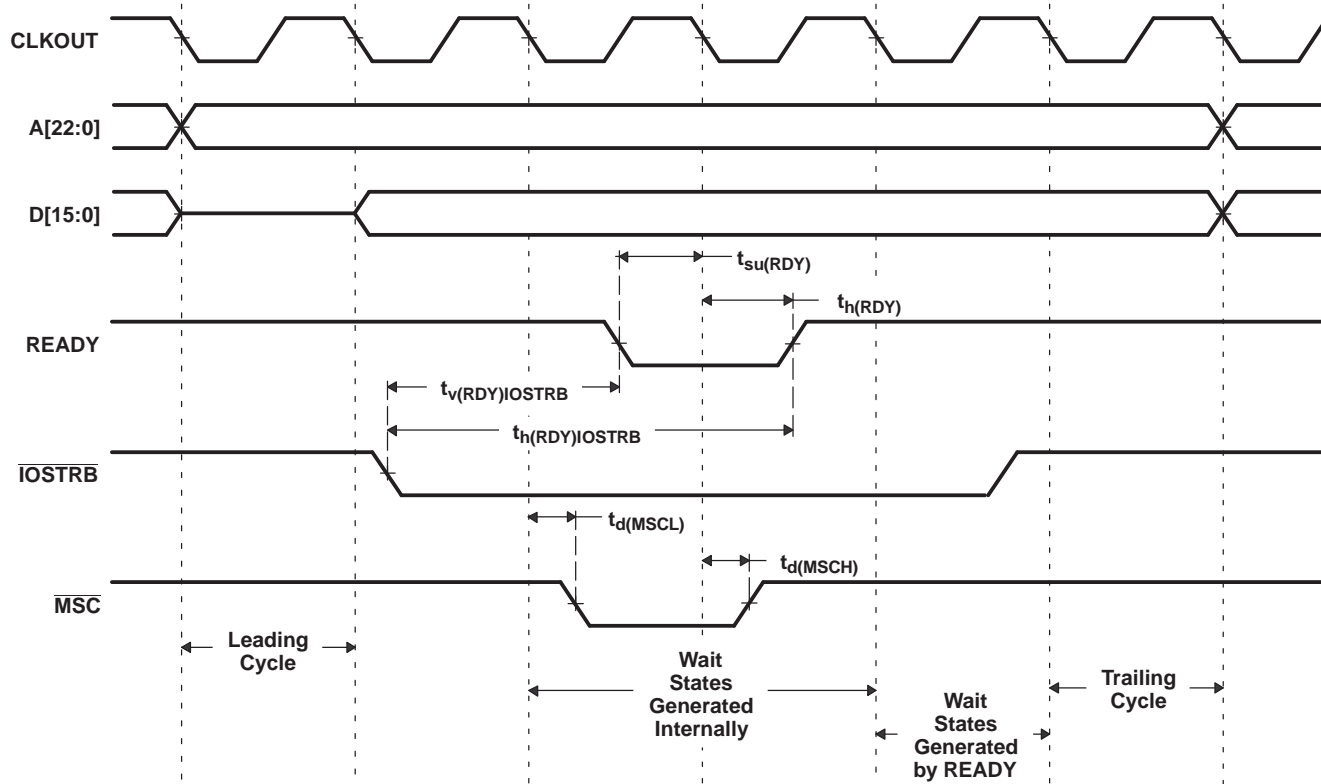


Figure 5-13. I/O Write With Externally Generated Wait States

5.5.6 $\overline{\text{HOLD}}$ and $\overline{\text{HOLDA}}$ Timings

Table 5-15 and Table 5-16 assume testing over recommended operating conditions and $H = 0.5t_{c(\text{CO})}$ (see Figure 5-14).

Table 5-15. $\overline{\text{HOLD}}$ and $\overline{\text{HOLDA}}$ Timing Requirements

		5416-120 5416-160		UNIT
		MIN	MAX	
$t_{\text{w}(\overline{\text{HOLD}})}$	Pulse duration, $\overline{\text{HOLD}}$ low duration	4H+8		ns
$t_{\text{su}(\overline{\text{HOLD}})}$	Setup time, $\overline{\text{HOLD}}$ before CLKOUT low ⁽¹⁾	7		ns

(1) This input can be driven from an asynchronous source, therefore, there are no specific timing requirements with respect to CLKOUT. However, if this timing is met, the input will be recognized on the CLKOUT edge referenced.

Table 5-16. $\overline{\text{HOLD}}$ and $\overline{\text{HOLDA}}$ Switching Characteristics

PARAMETER		5416-120 5416-160		UNIT
		MIN	MAX	
$t_{\text{dis}(\text{CLKL-A})}$	Disable time, Address, $\overline{\text{PS}}$, $\overline{\text{DS}}$, $\overline{\text{IS}}$ high impedance from CLKOUT low	3		ns
$t_{\text{dis}(\text{CLKL-RW})}$	Disable time, $\overline{\text{R/W}}$ high impedance from CLKOUT low	3		ns
$t_{\text{dis}(\text{CLKL-S})}$	Disable time, $\overline{\text{MSTRB}}$, $\overline{\text{IOSTRB}}$ high impedance from CLKOUT low	3		ns
$t_{\text{en}(\text{CLKL-A})}$	Enable time, Address, $\overline{\text{PS}}$, $\overline{\text{DS}}$, $\overline{\text{IS}}$ valid from CLKOUT low	2H+3		ns
$t_{\text{en}(\text{CLKL-RW})}$	Enable time, $\overline{\text{R/W}}$ enabled from CLKOUT low	2H+3		ns
$t_{\text{en}(\text{CLKL-S})}$	Enable time, $\overline{\text{MSTRB}}$, $\overline{\text{IOSTRB}}$ enabled from CLKOUT low	2	2H+3	ns
$t_{\text{v}(\overline{\text{HOLDA}})}$	Valid time, $\overline{\text{HOLDA}}$ low after CLKOUT low	- 1	4	ns
	Valid time, $\overline{\text{HOLDA}}$ high after CLKOUT low	- 1	4	ns
$t_{\text{w}(\overline{\text{HOLDA}})}$	Pulse duration, $\overline{\text{HOLDA}}$ low duration	2H-3		ns

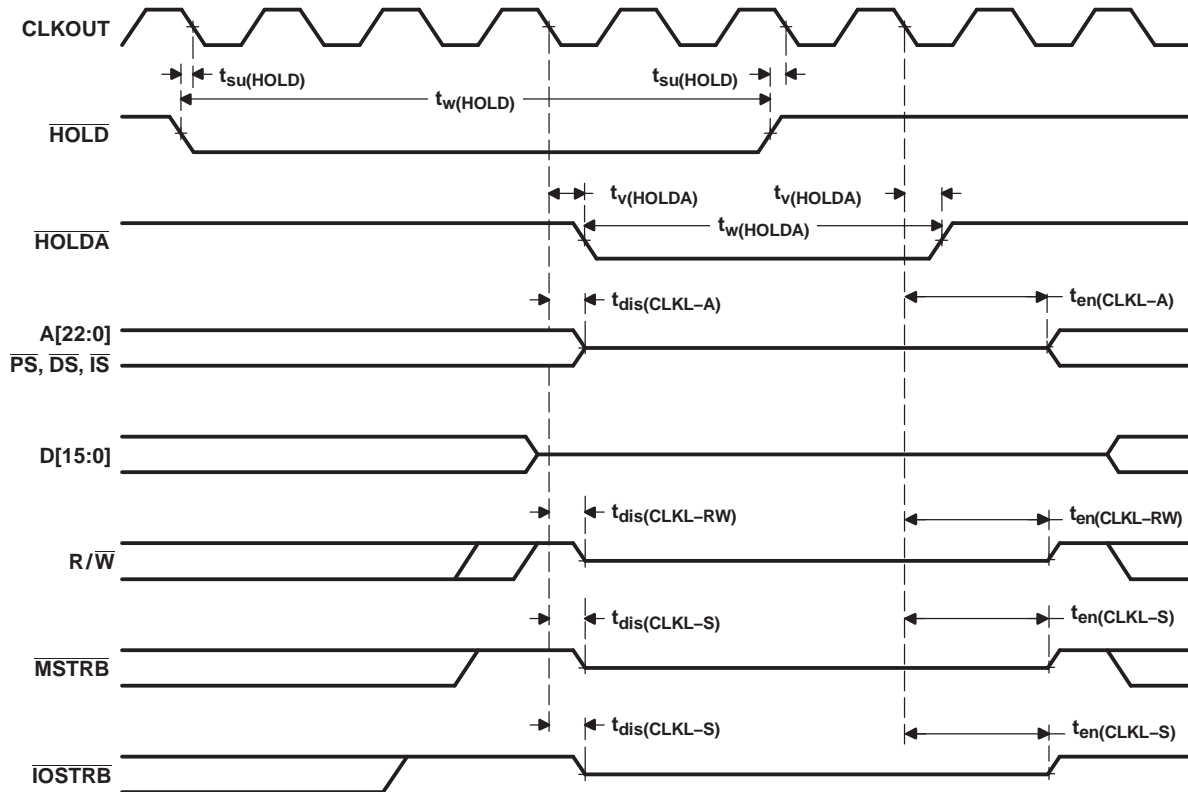


Figure 5-14. \overline{HOLD} and \overline{HOLDA} Timings (HM = 1)

5.5.7 Reset, $\overline{\text{BIO}}$, Interrupt, and $\text{MP}/\overline{\text{MC}}$ Timings

Table 5-17 assumes testing over recommended operating conditions and $H = 0.5t_{c(\text{CO})}$ (see Figure 5-15, Figure 5-16, and Figure 5-17).

Table 5-17. Reset, $\overline{\text{BIO}}$, Interrupt, and $\text{MP}/\overline{\text{MC}}$ Timing Requirements

		5416-120 5416-160		UNIT
		MIN	MAX	
$t_{h(\text{RS})}$	Hold time, $\overline{\text{RS}}$ after CLKOUT low ⁽¹⁾	2		ns
$t_{h(\text{BIO})}$	Hold time, $\overline{\text{BIO}}$ after CLKOUT low ⁽¹⁾	4		ns
$t_{h(\text{INT})}$	Hold time, $\overline{\text{INTn}}$, $\overline{\text{NMI}}$, after CLKOUT low ⁽¹⁾⁽²⁾	0		ns
$t_{h(\text{MPMC})}$	Hold time, $\text{MP}/\overline{\text{MC}}$ after CLKOUT low ⁽¹⁾	4		ns
$t_{w(\text{RSL})}$	Pulse duration, $\overline{\text{RS}}$ low ⁽³⁾⁽⁴⁾	4H + 3		ns
$t_{w(\text{BIO}S)}$	Pulse duration, $\overline{\text{BIO}}$ low, synchronous	2H + 3		ns
$t_{w(\text{BIO}A)}$	Pulse duration, $\overline{\text{BIO}}$ low, asynchronous	4H		ns
$t_{w(\text{INT}H)S}$	Pulse duration, $\overline{\text{INTn}}$, $\overline{\text{NMI}}$ high (synchronous)	2H + 2		ns
$t_{w(\text{INT}H)A}$	Pulse duration, $\overline{\text{INTn}}$, $\overline{\text{NMI}}$ high (asynchronous)	4H		ns
$t_{w(\text{INT}L)S}$	Pulse duration, $\overline{\text{INTn}}$, $\overline{\text{NMI}}$ low (synchronous)	2H + 2		ns
$t_{w(\text{INT}L)A}$	Pulse duration, $\overline{\text{INTn}}$, $\overline{\text{NMI}}$ low (asynchronous)	4H		ns
$t_{w(\text{INT}L)WKP}$	Pulse duration, $\overline{\text{INTn}}$, $\overline{\text{NMI}}$ low for IDLE2/IDLE3 wakeup	7		ns
$t_{su(\text{RS})}$	Setup time, $\overline{\text{RS}}$ before X2/CLKIN low ⁽²⁾⁽¹⁾	3		ns
$t_{su(\text{BIO})}$	Setup time, $\overline{\text{BIO}}$ before CLKOUT low ⁽¹⁾	7		ns
$t_{su(\text{INT})}$	Setup time, $\overline{\text{INTn}}$, $\overline{\text{NMI}}$, $\overline{\text{RS}}$ before CLKOUT low ⁽¹⁾	7		ns
$t_{su(\text{MPMC})}$	Setup time, $\text{MP}/\overline{\text{MC}}$ before CLKOUT low ⁽¹⁾	5		ns

- (1) These inputs can be driven from an asynchronous source, therefore, there are no specific timing requirements with respect to CLKOUT, however, if setup and hold timings are met, the input will be recognized on the CLKOUT edge referenced.
- (2) The external interrupts ($\overline{\text{INT0}}\text{-}\overline{\text{INT3}}$, $\overline{\text{NMI}}$) are synchronized to the core CPU by way of a two-flip-flop synchronizer that samples these inputs with consecutive falling edges of CLKOUT. The input to the interrupt pins is required to represent a 1-0-0 sequence at the timing that is corresponding to three CLKOUTs sampling sequence.
- (3) If the PLL mode is selected, then at power-on sequence, or at wakeup from IDLE3, $\overline{\text{RS}}$ must be held low for at least 50 μs to ensure synchronization and lock-in of the PLL.
- (4) Note that $\overline{\text{RS}}$ may cause a change in clock frequency, therefore changing the value of H.

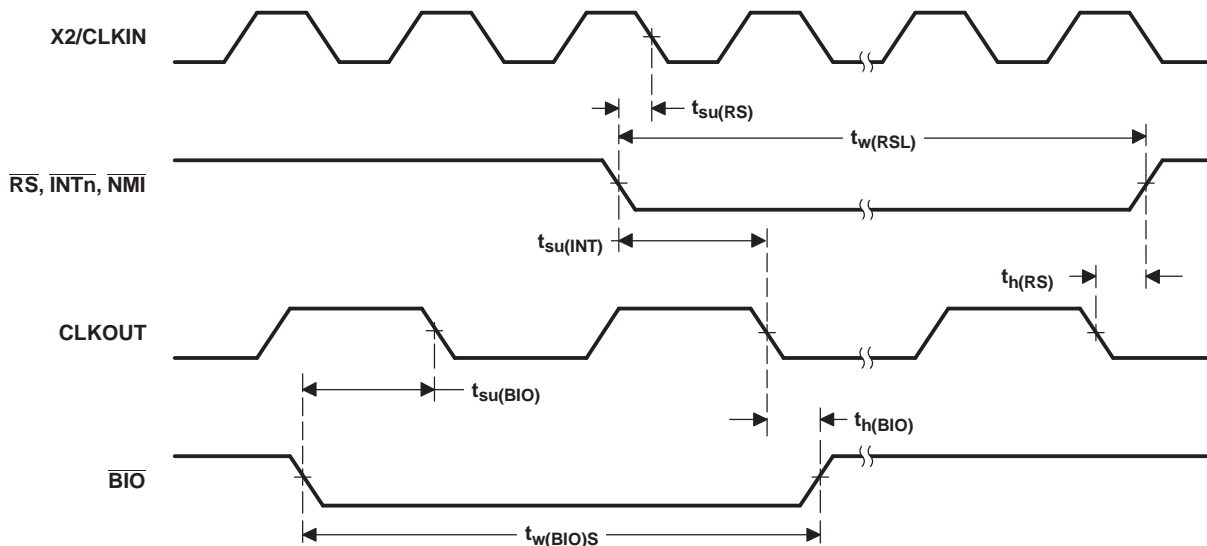


Figure 5-15. Reset and $\overline{\text{BIO}}$ Timings

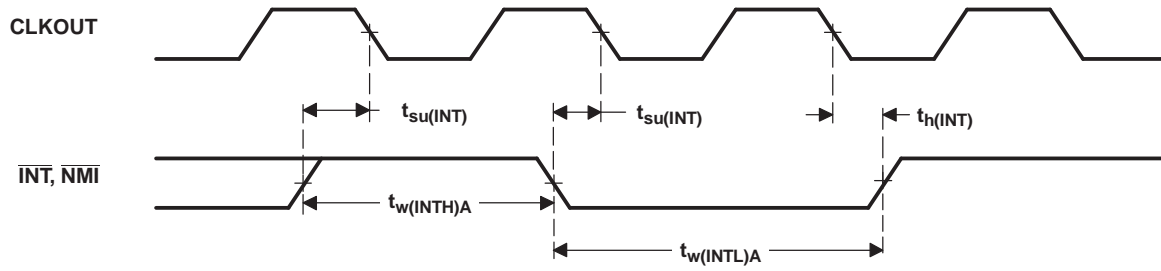


Figure 5-16. Interrupt Timing

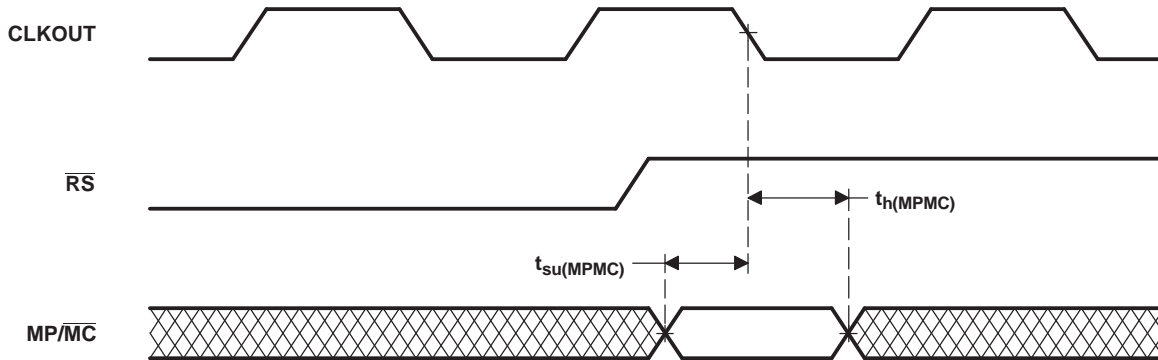


Figure 5-17. MP/MC Timing

5.5.8 Instruction Acquisition ($\overline{\text{IAQ}}$) and Interrupt Acknowledge ($\overline{\text{IACK}}$) Timings

Table 5-18 assumes testing over recommended operating conditions and $H = 0.5t_{c(CO)}$ (see Figure 5-18).

Table 5-18. Instruction Acquisition ($\overline{\text{IAQ}}$) and Interrupt Acknowledge ($\overline{\text{IACK}}$) Switching Characteristics

PARAMETER	5416-120 5416-160		UNIT
	MIN	MAX	
$t_{d(\text{CLKL-IAQL})}$	-1	4	ns
$t_{d(\text{CLKL-IAQH})}$	-1	4	ns
$t_{d(\text{CLKL-IACKL})}$	-1	4	ns
$t_{d(\text{CLKL-IACKH})}$	-1	4	ns
$t_{d(\text{CLKL-A})}$	-1	4	ns
$t_w(\text{IAQL})$	2H - 2		ns
$t_w(\text{IACKL})$	2H - 2		ns

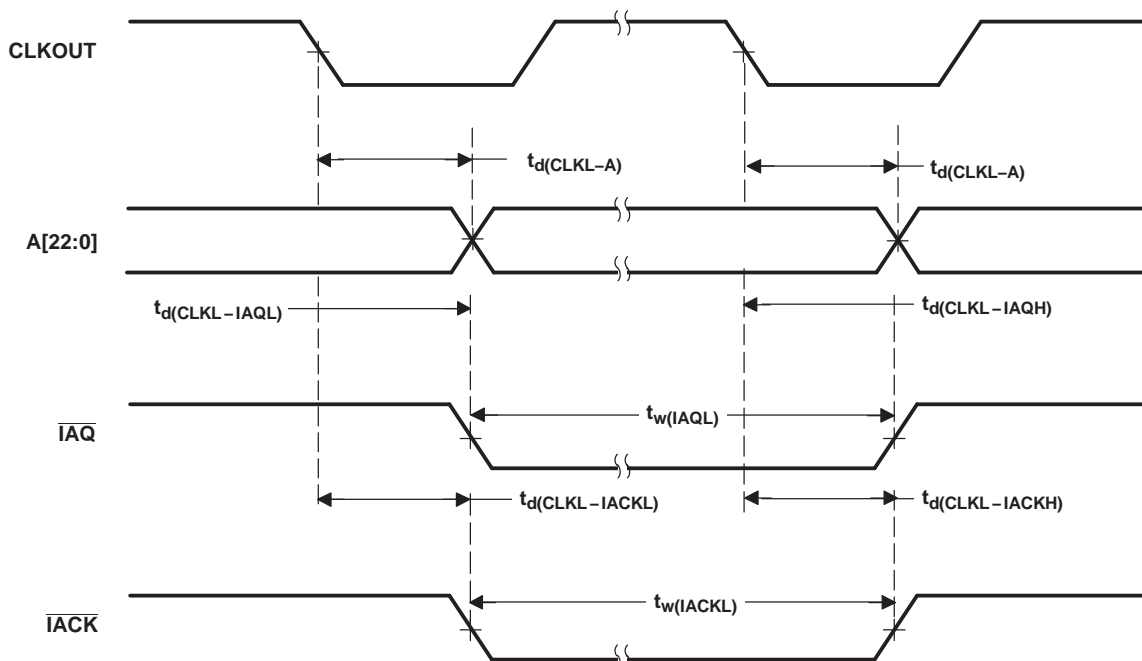


Figure 5-18. Instruction Acquisition ($\overline{\text{IAQ}}$) and Interrupt Acknowledge ($\overline{\text{IACK}}$) Timings

5.5.9 External Flag (XF) and TOUT Timings

Table 5-19 assumes testing over recommended operating conditions and $H = 0.5t_{c(CO)}$ (see Figure 5-19 and Figure 5-20).

Table 5-19. External Flag (XF) and TOUT Switching Characteristics

PARAMETER		5416-120 5416-160		UNIT
		MIN	MAX	
$t_{d(XF)}$	Delay time, CLKOUT low to XF high	-1	4	ns
	Delay time, CLKOUT low to XF low	-1	4	
$t_{d(TOUTH)}$	Delay time, CLKOUT low to TOUT high	-1	4	ns
$t_{d(TOURL)}$	Delay time, CLKOUT low to TOUT low	-1	4	ns
$t_w(TOUT)$	Pulse duration, TOUT	2H - 4		ns

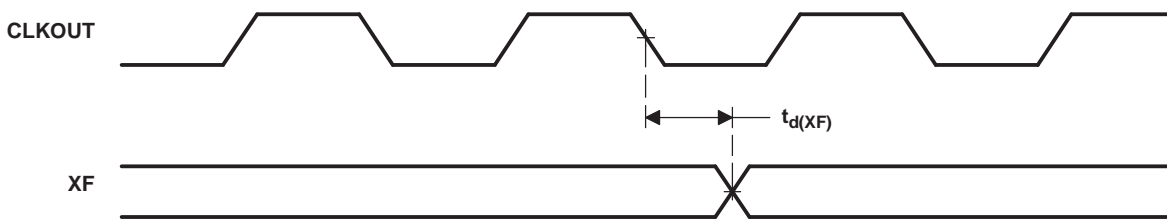


Figure 5-19. External Flag (XF) Timing

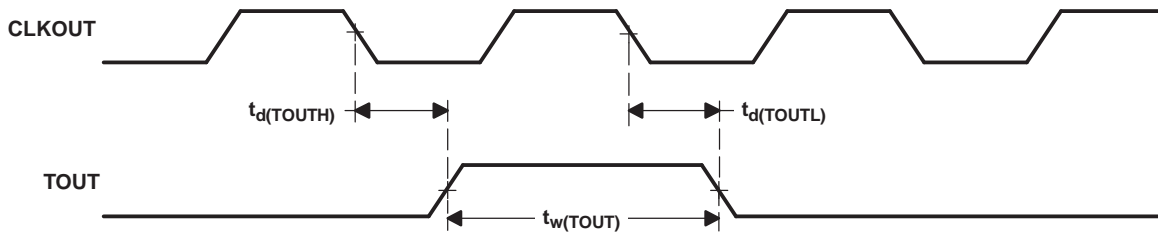


Figure 5-20. TOUT Timing

5.5.10 Multichannel Buffered Serial Port (McBSP) Timing

5.5.10.1 McBSP Transmit and Receive Timings

Table 5-20 and Table 5-21 assume testing over recommended operating conditions (see Figure 5-21 and Figure 5-22).

Table 5-20. McBSP Transmit and Receive Timing Requirements⁽¹⁾

			5416-120 5416-160		UNIT
			MIN	MAX	
$t_{c(BCKRX)}$	Cycle time, BCLKR/X ⁽²⁾	BCLKR/X ext	4P ⁽³⁾		ns
$t_{w(BCKRX)}$	Pulse duration, BCLKR/X high or BCLKR/X low ⁽²⁾	BCLKR/X ext	2P–1 ⁽³⁾		ns
$t_{su(BFRH-BCKRL)}$	Setup time, external BFSR high before BCLKR low	BCLKR int	8		ns
		BCLKR ext	1		
$t_{h(BCKRL-BFRH)}$	Hold time, external BFSR high after BCLKR low	BCLKR int	1		ns
		BCLKR ext	2		
$t_{su(BDRV-BCKRL)}$	Setup time, BDR valid before BCLKR low	BCLKR int	7		ns
		BCLKR ext	1		
$t_{h(BCKRL-BDRV)}$	Hold time, BDR valid after BCLKR low	BCLKR int	2		ns
		BCLKR ext	3		
$t_{su(BFXH-BCKXL)}$	Setup time, external BFSX high before BCLKX low	BCLKX int	8		ns
		BCLKX ext	1		
$t_{h(BCKXL-BFXH)}$	Hold time, external BFSX high after BCLKX low	BCLKX int	0		ns
		BCLKX ext	2		
$t_{r(BCKRX)}$	Rise time, BCKR/X	BCLKR/X ext	6		ns
$t_{f(BCKRX)}$	Fall time, BCKR/X	BCLKR/X ext	6		ns

- (1) CLKRP = CLKXP = FSRP = FSXP = 0. If the polarity of any of the signals is inverted, then the timing references of that signal are also inverted.
- (2) Note that in some cases, for example when driving another 54x device McBSP, maximum serial port clocking rates may not be achievable at maximum CPU clock frequency due to transmitted data timings and corresponding receive timing requirements. A separate detailed timing analysis should be performed for each specific McBSP interface.
- (3) P = 0.5 * processor clock.

Table 5-21. McBSP Transmit and Receive Switching Characteristics⁽¹⁾

PARAMETER			5416-120 5416-160		UNIT	
			MIN	MAX		
$t_{c(BCKRX)}$	Cycle time, BCLKR/X ⁽²⁾	BCLKR/X int	4P ⁽³⁾		ns	
$t_{w(BCKRXH)}$	Pulse duration, BCLKR/X high ⁽²⁾	BCLKR/X int	D - 1 ⁽⁴⁾	D + 1 ⁽⁴⁾	ns	
$t_{w(BCKRXL)}$	Pulse duration, BCLKR/X low ⁽²⁾	BCLKR/X int	C - 1 ⁽⁴⁾	C + 1 ⁽⁴⁾	ns	
$t_{d(BCKRH-BFRV)}$	Delay time, BCLKR high to internal BFSR valid	BCLKR int	- 3	3	ns	
		BCLKR ext	0	6	ns	
$t_{d(BCKXH-BFXV)}$	Delay time, BCLKX high to internal BFSX valid	BCLKX int	- 1	5	ns	
		BCLKX ext	3	11		
$t_{dis(BCKXH-BDXHZ)}$	Disable time, BCLKX high to BDX high impedance following last data bit of transfer	BCLKX int		6	ns	
		BCLKX ext		10		
$t_{d(BCKXH-BDXV)}$	Delay time, BCLKX high to BDX valid	DXENA = 0	BCLKX int	- 1 ⁽⁵⁾	10	ns
			BCLKX ext	3	20	
		DXENA = 1	BCLKX int	- 1 ⁽⁵⁾	20	
			BCLKX ext	3	30	
$t_{d(BFXH-BDXV)}$	Delay time, BFSX high to BDX valid ONLY applies when in data delay 0 (XDATDLY = 00b) mode	BFSX int	-1 ⁽⁵⁾	7	ns	
		BFSX ext	3	11		

- (1) CLKRP = CLKXP = FSRP = FSXP = 0. If the polarity of any of the signals is inverted, then the timing references of that signal are also inverted.
- (2) Note that in some cases, for example when driving another 54x device McBSP, maximum serial port clocking rates may not be achievable at maximum CPU clock frequency due to transmitted data timings and corresponding receive timing requirements. A separate detailed timing analysis should be performed for each specific McBSP interface.
- (3) P = 0.5 * processor clock.
- (4) T = BCLKRX period = (1 + CLKGDV) * 2P
C = BCLKRX low pulse width = T/2 when CLKGDV is odd or zero and = (CLKGDV/2) * 2P when CLKGDV is even
D = BCLKRX high pulse width = T/2 when CLKGDV is odd or zero and = (CLKGDV/2 + 1) * 2P when CLKGDV is even
- (5) Minimum delay times also represent minimum output hold times.

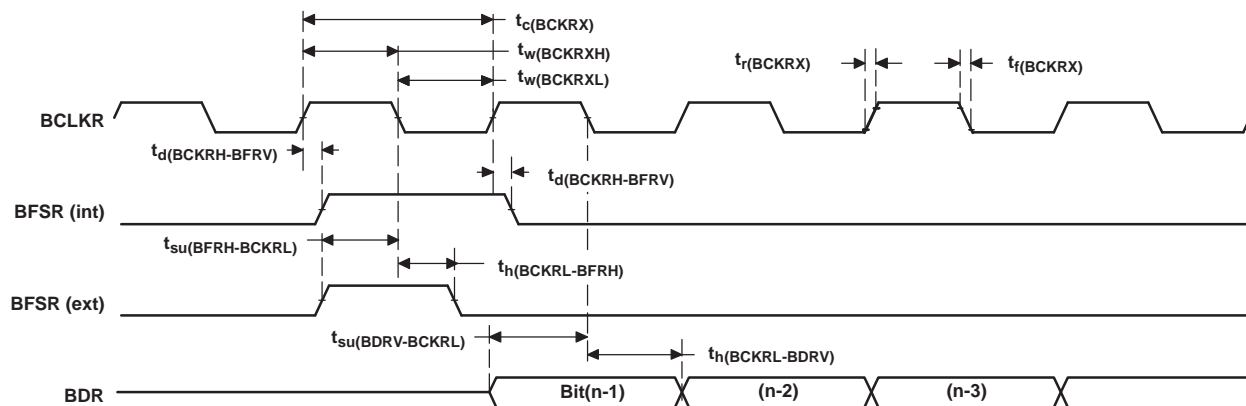


Figure 5-21. McBSP Receive Timings

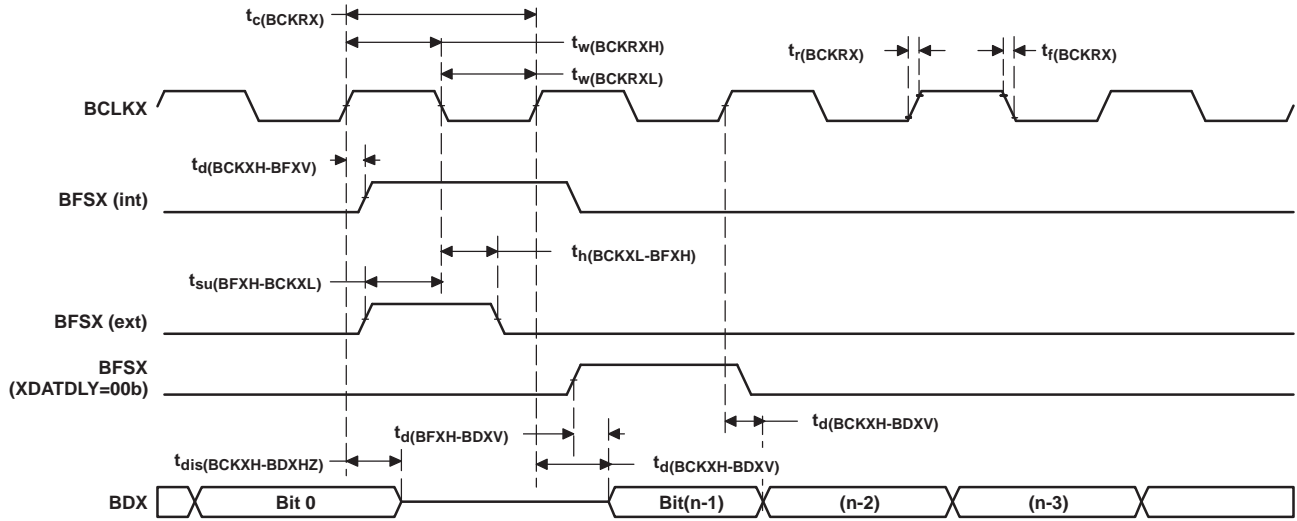


Figure 5-22. McBSP Transmit Timings

5.5.10.2 McBSP General-Purpose I/O Timing

Table 5-22 and Table 5-23 assume testing over recommended operating conditions (see Figure 5-23).

Table 5-22. McBSP General-Purpose I/O Timing Requirements

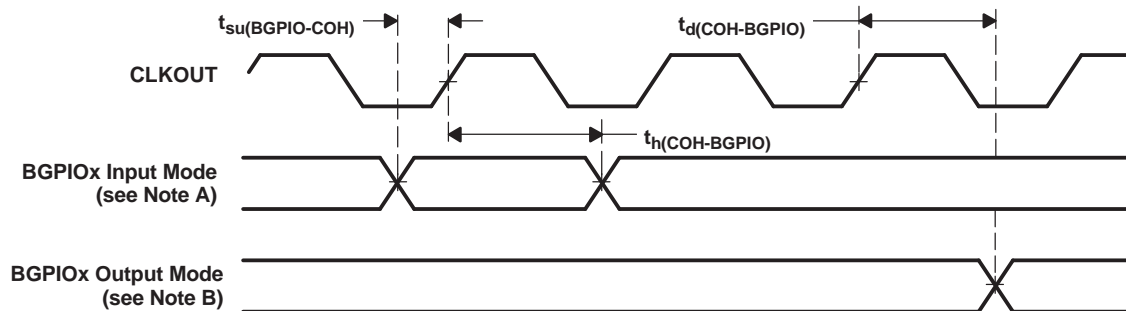
		5416-120 5416-160		UNIT
		MIN	MAX	
$t_{su}(BGPIO-COH)$	Setup time, BGPIOx input mode before CLKOUT high ⁽¹⁾	7		ns
$t_h(COH-BGPIO)$	Hold time, BGPIOx input mode after CLKOUT high ⁽¹⁾	0		ns

(1) BGPIOx refers to BCLKRx, BFSRx, BDRx, BCLKXx, or BFSXx when configured as a general-purpose input.

Table 5-23. McBSP General-Purpose I/O Switching Characteristics

PARAMETER	5416-120 5416-160		UNIT	
	MIN	MAX		
$t_d(COH-BGPIO)$	Delay time, CLKOUT high to BGPIOx output mode ⁽¹⁾	-2	4	ns

(1) BGPIOx refers to BCLKRx, BFSRx, BDRx, BCLKXx, or BFSXx when configured as a general-purpose output.



- A. BGPIOx refers to BCLKRx, BFSRx, BDRx, BCLKXx, or BFSXx when configured as a general-purpose input.
- B. BGPIOx refers to BCLKRx, BFSRx, BCLKXx, BFSXx, or BDx when configured as a general-purpose output.

Figure 5-23. McBSP General-Purpose I/O Timings

5.5.10.3 McBSP as SPI Master or Slave Timing

Table 5-24 to Table 5-31 assume testing over recommended operating conditions (see Figure 5-24, Figure 5-25, Figure 5-26, and Figure 5-27).

Table 5-24. McBSP as SPI Master or Slave Timing Requirements (CLKSTP = 10b, CLKXP = 0)⁽¹⁾

		5416-120 5416-160				UNIT
		MASTER		SLAVE		
		MIN	MAX	MIN	MAX	
$t_{su}(BDRV-BCKXL)$	Setup time, BDR valid before BCLKX low	12		2 – 6P ⁽²⁾		ns
$t_h(BCKXL-BDRV)$	Hold time, BDR valid after BCLKX low	4		5 + 12P ⁽²⁾		ns

- (1) For all SPI slave modes, CLKG is programmed as 1/2 of the CPU clock by setting CLKSM = CLKGDV = 1.
- (2) P = 0.5 * processor clock.

Table 5-25. McBSP as SPI Master or Slave Switching Characteristics (CLKSTP = 10b, CLKXP = 0)⁽¹⁾

PARAMETER		5416-120 5416-160				UNIT
		MASTER ⁽²⁾		SLAVE		
		MIN	MAX	MIN	MAX	
$t_h(BCKXL-BFXL)$	Hold time, BFSX low after BCLKX low ⁽³⁾	T – 3	T + 4			ns
$t_d(BFXL-BCKXH)$	Delay time, BFSX low to BCLKX high ⁽⁴⁾	C – 4	C + 3			ns
$t_d(BCKXH-BDXV)$	Delay time, BCLKX high to BDX valid	– 4	5	6P + 2 ⁽⁵⁾	10P + 17 ⁽⁵⁾	ns
$t_{dis}(BCKXL-BDXHZ)$	Disable time, BDX high impedance following last data bit from BCLKX low	C – 2	C + 3			ns
$t_{dis}(BFXH-BDXHZ)$	Disable time, BDX high impedance following last data bit from BFSX high			2P – 4 ⁽⁵⁾	6P + 17 ⁽⁵⁾	ns
$t_d(BFXL-BDXV)$	Delay time, BFSX low to BDX valid			4P + 2 ⁽⁵⁾	8P + 17 ⁽⁵⁾	ns

- (1) For all SPI slave modes, CLKG is programmed as 1/2 of the CPU clock by setting CLKSM = CLKGDV = 1.
- (2) T = BCLKX period = (1 + CLKGDV) * 2P
C = BCLKX low pulse width = T/2 when CLKGDV is odd or zero and = (CLKGDV/2) * 2P when CLKGDV is even
- (3) FSRP = FSXP = 1. As a SPI master, BFSX is inverted to provide active-low slave-enable output. As a slave, the active-low signal input on BFSX and BFSR is inverted before being used internally.
CLKXM = FSXM = 1, CLKRM = FRSRM = 2 for master McBSP
CLKXM = CLKRM = FSXM = FSRM = 0 for slave McBSP
- (4) BFSX should be low before the rising edge of clock to enable slave devices and then begin a SPI transfer at the rising edge of the master clock (BCLKX).
- (5) P = 0.5 * processor clock.

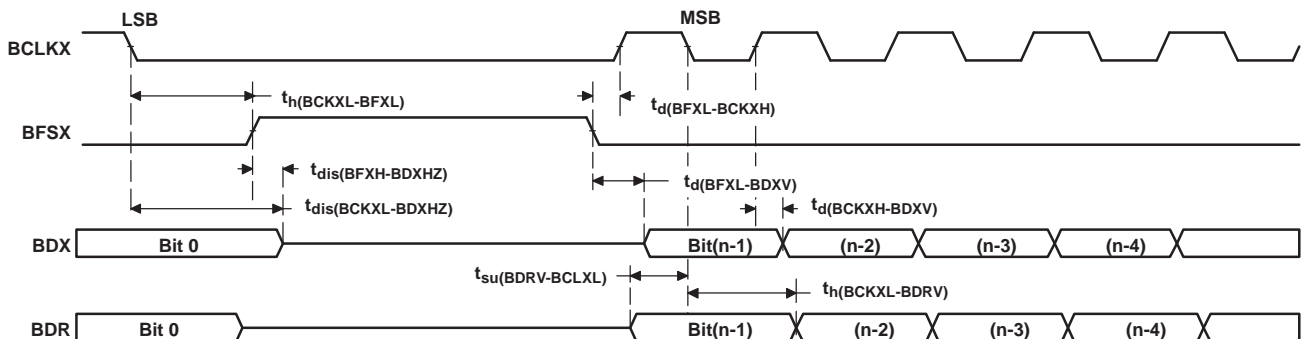


Figure 5-24. McBSP Timing as SPI Master or Slave: CLKSTP = 10b, CLKXP = 0

Table 5-26. McBSP as SPI Master or Slave Timing Requirements (CLKSTP = 11b, CLKXP = 0)⁽¹⁾

		5416-120 5416-160				UNIT
		MASTER		SLAVE		
		MIN	MAX	MIN	MAX	
$t_{su}(BDRV-BCKXL)$	Setup time, BDR valid before BCLKX low	12		2 – 6P ⁽²⁾		ns
$t_h(BCKXH-BDRV)$	Hold time, BDR valid after BCLKX high	4		5 + 12P ⁽²⁾		ns

- (1) For all SPI slave modes, CLKG is programmed as 1/2 of the CPU clock by setting CLKSM = CLKGDV = 1.
 (2) P = 0.5 * processor clock.

Table 5-27. McBSP as SPI Master or Slave Switching Characteristics (CLKSTP = 11b, CLKXP = 0)⁽¹⁾

PARAMETER		5416-120 5416-160				UNIT
		MASTER ⁽²⁾		SLAVE		
		MIN	MAX	MIN	MAX	
$t_h(BCKXL-BFXL)$	Hold time, BFSX low after BCLKX low ⁽³⁾	C – 3	C + 4			ns
$t_d(BFXL-BCKXH)$	Delay time, BFSX low to BCLKX high ⁽⁴⁾	T – 4	T + 3			ns
$t_d(BCKXL-BDXV)$	Delay time, BCLKX low to BDX valid	– 4	5	6P + 2 ⁽⁵⁾	10P + 17 ⁽⁵⁾	ns
$t_{dis}(BCKXL-BDXHZ)$	Disable time, BDX high impedance following last data bit from BCLKX low	– 2	4	6P – 4 ⁽⁵⁾	10P + 17 ⁽⁵⁾	ns
$t_d(BFXL-BDXV)$	Delay time, BFSX low to BDX valid	D – 2	D + 4	4P + 2 ⁽⁵⁾	8P + 17 ⁽⁵⁾	ns

- (1) For all SPI slave modes, CLKG is programmed as 1/2 of the CPU clock by setting CLKSM = CLKGDV = 1.
 (2) T = BCLKX period = (1 + CLKGDV) * 2P
 C = BCLKX low pulse width = T/2 when CLKGDV is odd or zero and = (CLKGDV/2) * 2P when CLKGDV is even
 D = BCLKX high pulse width = T/2 when CLKGDV is odd or zero and (CLKGDV/2 + 1) * 2P when CLKGDV is even
 (3) FSRP = FSXP = 1. As a SPI master, BFSX is inverted to provide active-low slave-enable output. As a slave, the active-low signal input on BFSX and BFSR is inverted before being used internally.
 CLKXM = FSXM = 1, CLKRM = FRSRM = 2 for master McBSP
 CLKXM = CLKRM = FSXM = FSRM = 0 for slave McBSP
 (4) BFSX should be low before the rising edge of clock to enable slave devices and then begin a SPI transfer at the rising edge of the master clock (BCLKX).
 (5) P = 0.5 * processor clock.

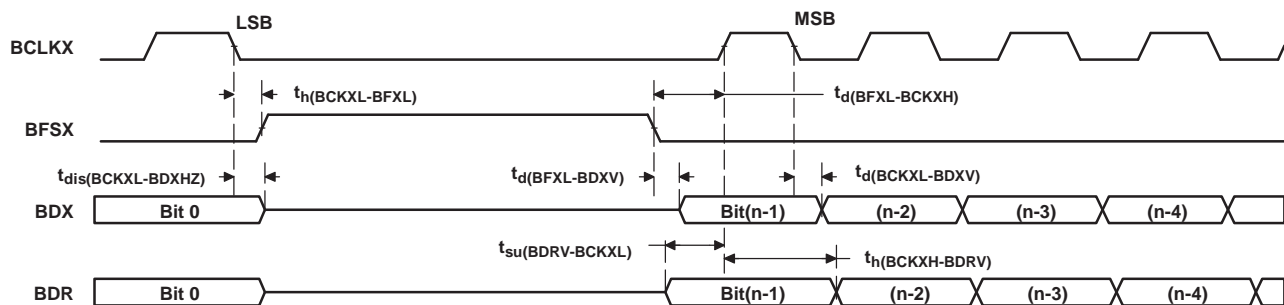


Figure 5-25. McBSP Timing as SPI Master or Slave: CLKSTP = 11b, CLKXP = 0

Table 5-28. McBSP as SPI Master or Slave Timing Requirements (CLKSTP = 10b, CLKXP = 1)⁽¹⁾

		5416-120 5416-160				UNIT
		MASTER		SLAVE		
		MIN	MAX	MIN	MAX	
$t_{su}(BDRV-BCKXH)$	Setup time, BDR valid before BCLKX high	12		2 – 6P ⁽²⁾		ns
$t_h(BCKXH-BDRV)$	Hold time, BDR valid after BCLKX high	4		5 + 12P ⁽²⁾		ns

- (1) For all SPI slave modes, CLKG is programmed as 1/2 of the CPU clock by setting CLKSM = CLKGDV = 1.
 (2) P = 0.5 * processor clock.

Table 5-29. McBSP as SPI Master or Slave Switching Characteristics (CLKSTP = 10b, CLKXP = 1)⁽¹⁾

PARAMETER		5416-120 5416-160				UNIT
		MASTER ⁽²⁾		SLAVE		
		MIN	MAX	MIN	MAX	
$t_h(BCKXH-BFXL)$	Hold time, BFSX low after BCLKX high ⁽³⁾	T – 3	T + 4			ns
$t_d(BFXL-BCKXL)$	Delay time, BFSX low to BCLKX low ⁽⁴⁾	D – 4	D + 3			ns
$t_d(BCKXL-BDXV)$	Delay time, BCLKX low to BDX valid	– 4	5	6P + 2 ⁽⁵⁾	10P + 17 ⁽⁵⁾	ns
$t_{dis}(BCKXH-BDXHZ)$	Disable time, BDX high impedance following last data bit from BCLKX high	D – 2	D + 3			ns
$t_{dis}(BFXH-BDXHZ)$	Disable time, BDX high impedance following last data bit from BFSX high			2P – 4 ⁽⁵⁾	6P + 17 ⁽⁵⁾	ns
$t_d(BFXL-BDXV)$	Delay time, BFSX low to BDX valid			4P + 2 ⁽⁵⁾	8P + 17 ⁽⁵⁾	ns

- (1) For all SPI slave modes, CLKG is programmed as 1/2 of the CPU clock by setting CLKSM = CLKGDV = 1.
 (2) T = BCLKX period = (1 + CLKGDV) * 2P
 D = BCLKX high pulse width = T/2 when CLKGDV is odd or zero and (CLKGDV/2 + 1) * 2P when CLKGDV is even
 (3) FSRP = FSXP = 1. As a SPI master, BFSX is inverted to provide active-low slave-enable output. As a slave, the active-low signal input on BFSX and BFSR is inverted before being used internally.
 CLKXM = FSXM = 1, CLKRM = FRSRM = 2 for master McBSP
 CLKXM = CLKRM = FSXM = FSRM = 0 for slave McBSP
 (4) BFSX should be low before the rising edge of clock to enable slave devices and then begin a SPI transfer at the rising edge of the master clock (BCLKX).
 (5) P = 0.5 * processor clock.

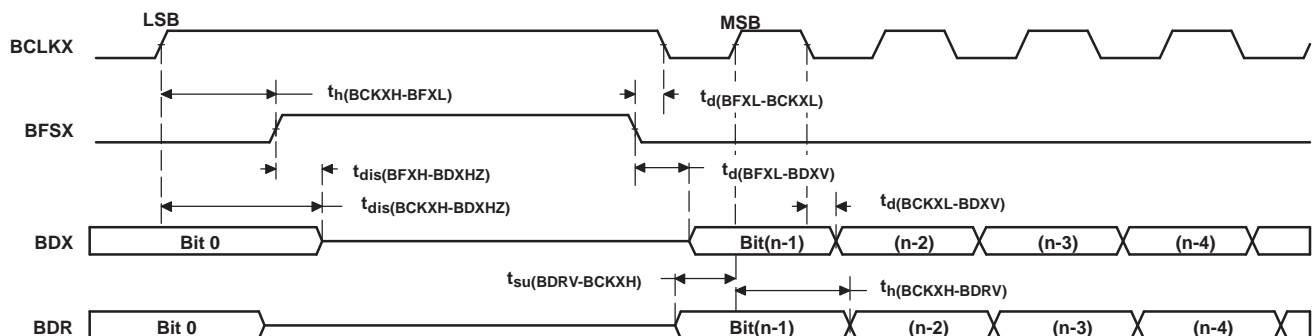


Figure 5-26. McBSP Timing as SPI Master or Slave: CLKSTP = 10b, CLKXP = 1

Table 5-30. McBSP as SPI Master or Slave Timing Requirements (CLKSTP = 11b, CLKXP = 1)^{ns}

		5416-120 5416-160				UNIT
		MASTER		SLAVE		
		MIN	MAX	MIN	MAX	
$t_{su}(BDRV-BCKXL)$	Setup time, BDR valid before BCLKX low	12		2 – 6P ⁽²⁾		ns
$t_h(BCKXL-BDRV)$	Hold time, BDR valid after BCLKX low	4		5 + 12P ⁽²⁾		ns

- (1) For all SPI slave modes, CLKG is programmed as 1/2 of the CPU clock by setting CLKSM = CLKGDV = 1.
 (2) P = 0.5 * processor clock.

Table 5-31. McBSP as SPI Master or Slave Switching Characteristics (CLKSTP = 11b, CLKXP = 1)^{ns}

PARAMETER		5416-120 5416-160				UNIT
		MASTER ⁽²⁾		SLAVE		
		MIN	MAX	MIN	MAX	
$t_h(BCKXH-BFXL)$	Hold time, BFSX low after BCLKX high ⁽³⁾	D – 3	D + 4			ns
$t_d(BFXL-BCKXL)$	Delay time, BFSX low to BCLKX low ⁽⁴⁾	T – 4	T + 3			ns
$t_d(BCKXH-BDXV)$	Delay time, BCLKX high to BDX valid	– 4	5	6P + 2 ⁽⁵⁾	10P + 17 ⁽⁵⁾	ns
$t_{dis}(BCKXH-BDXHZ)$	Disable time, BDX high impedance following last data bit from BCLKX high	– 2	4	6P – 4 ⁽⁵⁾	10P + 17 ⁽⁵⁾	ns
$t_d(BFXL-BDXV)$	Delay time, BFSX low to BDX valid	C – 2	C + 4	4P + 2 ⁽⁵⁾	8P + 17 ⁽⁵⁾	ns

- (1) For all SPI slave modes, CLKG is programmed as 1/2 of the CPU clock by setting CLKSM = CLKGDV = 1.
 (2) T = BCLKX period = (1 + CLKGDV) * 2P
 C = BCLKX low pulse width = T/2 when CLKGDV is odd or zero and = (CLKGDV/2) * 2P when CLKGDV is even
 D = BCLKX high pulse width = T/2 when CLKGDV is odd or zero and (CLKGDV/2 + 1) * 2P when CLKGDV is even
 (3) FSRP = FSXP = 1. As a SPI master, BFSX is inverted to provide active-low slave-enable output. As a slave, the active-low signal input on BFSX and BFSR is inverted before being used internally.
 CLKXM = FSXM = 1, CLKRM = FRSRM = 2 for master McBSP
 CLKXM = CLKRM = FSXM = FSRM = 0 for slave McBSP
 (4) BFSX should be low before the rising edge of clock to enable slave devices and then begin a SPI transfer at the rising edge of the master clock (BCLKX).
 (5) P = 0.5 * processor clock.

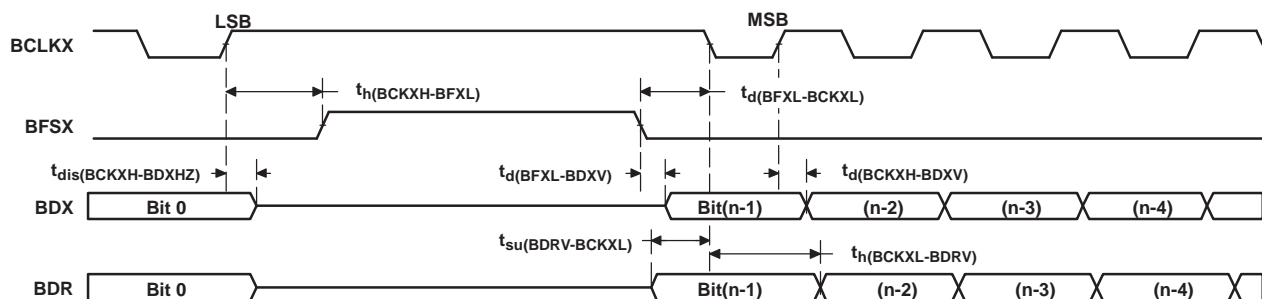


Figure 5-27. McBSP Timing as SPI Master or Slave: CLKSTP = 11b, CLKXP = 1

5.5.11 Host-Port Interface Timing

5.5.11.1 HPI8 Mode

Table 5-32 and Table 5-33 assume testing over recommended operating conditions and $P = 0.5$ * processor clock (see Figure 5-28 through Figure 5-31). In the following tables, DS refers to the logical OR of \overline{HCS} , $\overline{HDS1}$, and $\overline{HDS2}$. HD refers to any of the HPI data bus pins (HD0, HD1, HD2, etc.). HAD stands for HCNTL0, HCNTL1, and $\overline{HR/W}$.

Table 5-32. HPI8 Mode Timing Requirements

		5416-120 5416-160		UNIT
		MIN	MAX	
$t_{su}(DSL-HBV)$	Setup time, HBIL and HAD valid before DS low (when \overline{HAS} is not used), or HBIL and HAD valid before \overline{HAS} low	6		ns
$t_h(DSL-HBV)$	Hold time, HBIL and HAD valid after DS low (when \overline{HAS} is not used), or HBIL and HAD valid after \overline{HAS} low	3		ns
$t_{su}(HSL-DSL)$	Setup time, \overline{HAS} low before DS low	8		ns
$t_w(DSL)$	Pulse duration, DS low	13		ns
$t_w(DSH)$	Pulse duration, DS high	7		ns
$t_{su}(HDV-DSH)$	Setup time, HD valid before DS high, HPI write	3		ns
$t_h(DSH-HDV)W$	Hold time, HD valid after DS high, HPI write	2		ns
$t_{su}(GPIO-COH)$	Setup time, HDx input valid before CLKOUT high, HDx configured as general-purpose input	3		ns
$t_h(GPIO-COH)$	Hold time, HDx input valid before CLKOUT high, HDx configured as general-purpose input	0		ns

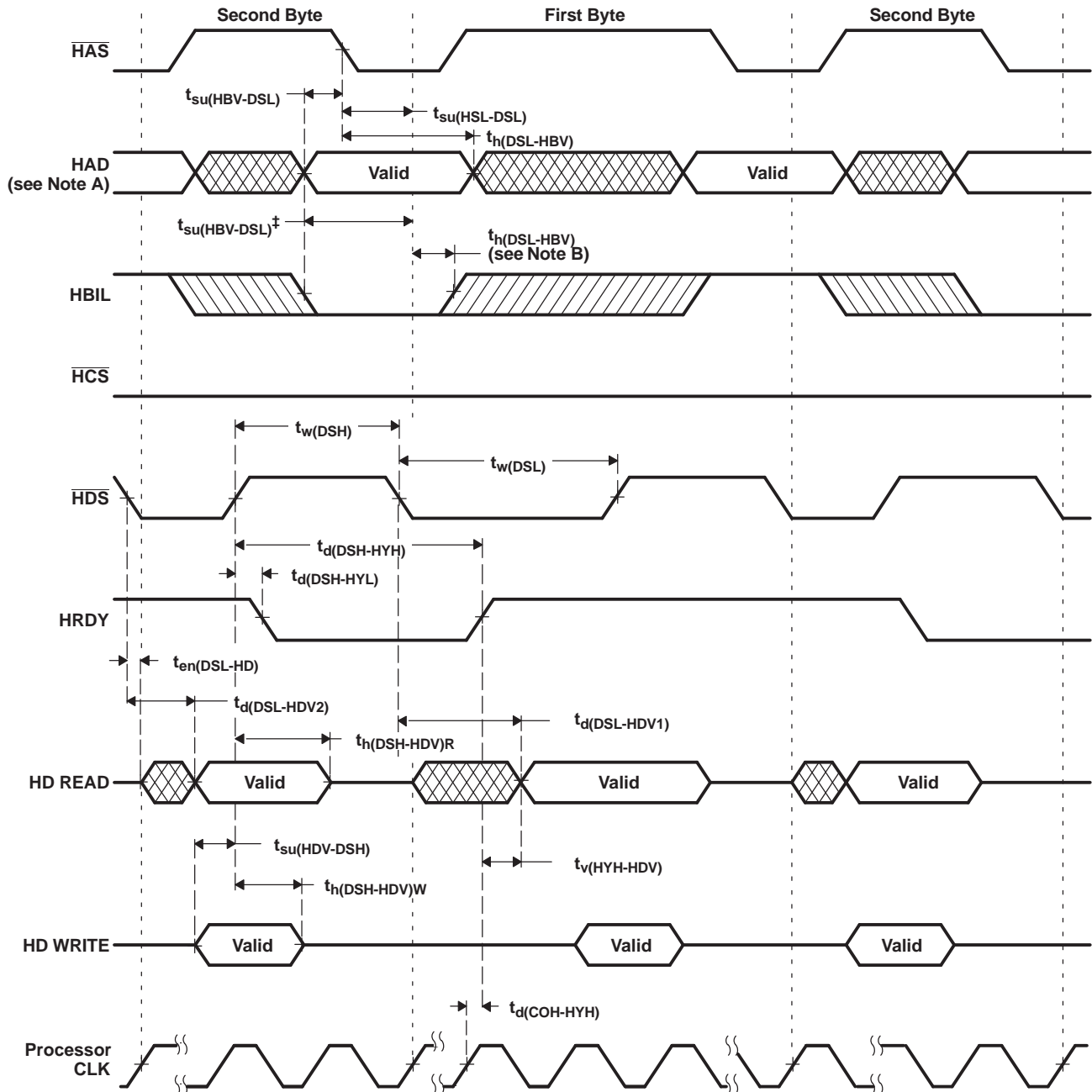
Table 5-33. HPI8 Mode Switching Characteristics

PARAMETER		5416-120 5416-160		UNIT
		MIN	MAX	
$t_{en(DSL-HD)}$	Enable time, HD driven from DS low	0	10	ns
$t_{d(DSL-HDV1)}$	Delay time, DS low to HD valid for first byte of an HPI read	Case 1a: Memory accesses when DMAC is active in 32-bit mode and $t_{w(DSH)} < 36P^{(1)}$	$36P + 10 - t_{w(DSH)}$	ns
		Case 1b: Memory accesses when DMAC is active in 32-bit mode and $t_{w(DSH)} \geq 36P^{(1)}$	10	
		Case 1c: Memory accesses when DMAC is active in 16-bit mode and $t_{w(DSH)} < 18P^{(1)}$	$18P + 10 - t_{w(DSH)}$	
		Case 1d: Memory accesses when DMAC is active in 16-bit mode and $t_{w(DSH)} \geq 18P^{(1)}$	10	
		Case 2a: Memory accesses when DMAC is inactive and $t_{w(DSH)} < 10P^{(1)}$	$10P + 10 - t_{w(DSH)}$	
		Case 2b: Memory accesses when DMAC is inactive and $t_{w(DSH)} \geq 10P^{(1)}$	10	
		Case 3: Register accesses	10	
$t_{d(DSL-HDV2)}$	Delay time, DS low to HD valid for second byte of an HPI read		10	ns
$t_{h(DSH-HDV)R}$	Hold time, HD valid after DS high, for a HPI read	0		ns
$t_{v(HYH-HDV)}$	Valid time, HD valid after HRDY high		2	ns
$t_{d(DSH-HYL)}$	Delay time, DS high to HRDY low ⁽²⁾		8	ns
$t_{d(DSH-HYH)}$	Delay time, DS high to HRDY high ⁽²⁾	Case 1a: Memory accesses when DMAC is active in 16-bit mode ⁽¹⁾	$18P + 6$	ns
		Case 1b: Memory accesses when DMAC is active in 32-bit mode ⁽¹⁾	$36P + 6$	
		Case 2: Memory accesses when DMAC is inactive ⁽¹⁾	$10P + 6$	
		Case 3: Write accesses to HPIC register ⁽³⁾	$6P + 6$	
$t_{d(HCS-HRDY)}$	Delay time, \overline{HCS} low/high to HRDY low/high		6	ns
$t_{d(COH-HYH)}$	Delay time, CLKOUT high to HRDY high		9	ns
$t_{d(COH-HTX)}$	Delay time, CLKOUT high to \overline{HINT} change		6	ns
$t_{d(COH-GPIO)}$	Delay time, CLKOUT high to HDx output change. HDx is configured as a general-purpose output		5	ns

(1) DMAS stands for direct memory access controller. The HPI8 shares the internal DMA bus with the DMAC, thus HPI8 access times are affected by DMAC activity.

(2) The HRDY output is always high when the \overline{HCS} input is high, regardless of DS timings.

(3) This timing applies when writing a one to the DSPINT bit or HINT bit of the HPIC register. All other writes to the HPIC occur asynchronously, and do not cause HRDY to be deasserted.



- A. HAD refers to HCNTL0, HCNTL1, and $HR\overline{W}$.
- B. When \overline{HAS} is not used (\overline{HAS} always high)

Figure 5-28. Using \overline{HDS} to Control Accesses (\overline{HCS} Always Low)

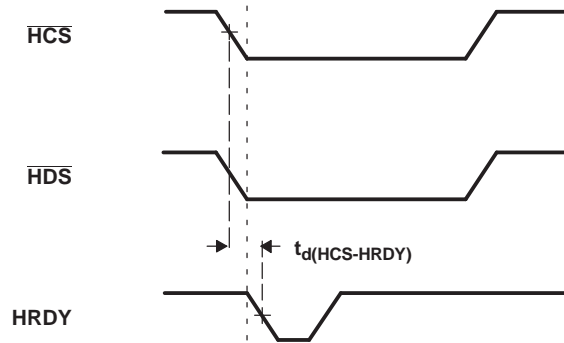


Figure 5-29. Using $\overline{\text{HCS}}$ to Control Accesses

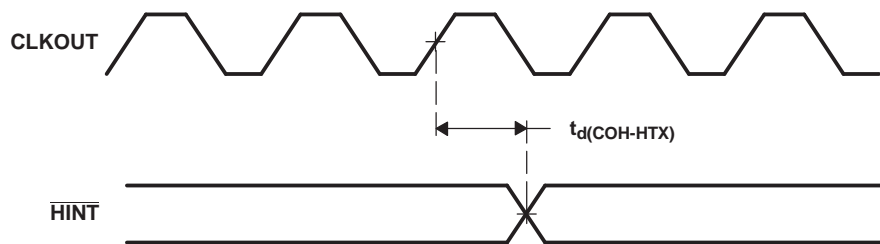


Figure 5-30. $\overline{\text{HINT}}$ Timing

In Figure 5-31, GPIOx refers to HD0, HD1, HD2, ...HD7, when the HD bus is configured for general-purpose input/output (I/O).

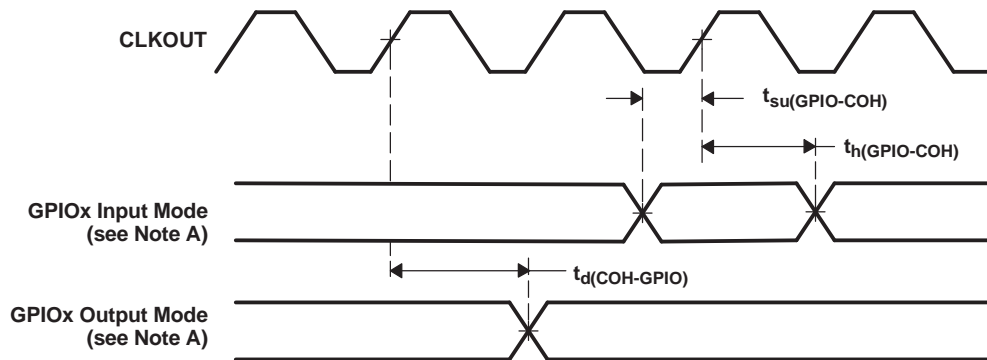


Figure 5-31. GPIOx Timings

5.5.11.2 HPI16 Mode

Table 5-34 and Table 5-35 assume testing over recommended operating conditions and $P = 0.5$ * processor clock (see Figure 5-32 through Figure 5-34). In the following tables, DS refers to the logical OR of HCS, HDS1, and HDS2, and HD refers to any of the HPI data bus pins (HD0, HD1, HD2, etc.). These timings are shown assuming that HDS is the signal controlling the transfer. See the *TMS320C54x DSP Reference Set, Volume 5: Enhanced Peripherals* (literature number SPRU302) for additional information.

Table 5-34. HPI16 Mode Timing Requirements

		5416-120 5416-160		UNIT	
		MIN	MAX		
$t_{su(HBV-DSL)}$	Setup time, HR/\overline{W} valid before DS falling edge	6		ns	
$t_{h(DSL-HBV)}$	Hold time, HR/\overline{W} valid after DS falling edge	5		ns	
$t_{su(HAV-DSH)}$	Setup time, address valid before DS rising edge (write)	5		ns	
$t_{su(HAV-DSL)}$	Setup time, address valid before DS falling edge (read)	$-(4P - 6)^{(1)}$		ns	
$t_{h(DSH-HAV)}$	Hold time, address valid after DS rising edge	1		ns	
$t_w(DSL)$	Pulse duration, DS low	30		ns	
$t_w(DSH)$	Pulse duration, DS high	10		ns	
$t_{c(DSH-DSH)}$	Cycle time, DS rising edge to next DS rising edge	Memory accesses with no DMA activity.	Reads	$10P + 30^{(1)}$	ns
			Writes	$10P + 10^{(1)}$	
		Memory accesses with 16-bit DMA activity.	Reads	$16P + 30^{(1)}$	
			Writes	$16P + 10^{(1)}$	
		Memory accesses with 32-bit DMA activity.	Reads	$24P + 30^{(1)}$	
			Writes	$24P + 10^{(1)}$	
$t_{su(HDV-DSH)W}$	Setup time, HD valid before DS rising edge	8		ns	
$t_{h(DSH-HDV)W}$	Hold time, HD valid after DS rising edge, write	2		ns	

(1) $P = 0.5$ * processor clock.

Table 5-35. HPI16 Mode Switching Characteristics

PARAMETER		5416-120 5416-160		UNIT
		MIN	MAX	
$t_{d(DSL-HDD)}$	Delay time, DS low to HD driven	0	10	
$t_{d(DSL-HDV1)}$	Delay time, DS low to HD valid for first word of an HPI read	Case 1a: Memory accesses initiated immediately following a write when DMAC is active in 32-bit mode and $t_{w(DSH)}$ was < 26P	$48P + 20 - t_{w(DSH)}$	ns
		Case 1b: Memory access not immediately following a write when DMAC is active in 32-bit mode	$24P + 20$	
		Case 1c: Memory accesses initiated immediately following a write when DMAC is active in 16-bit mode and $t_{w(DSH)}$ was < 18P	$32P + 20 - t_{w(DSH)}$	
		Case 1d: Memory accesses not immediately following a write when DMAC is active in 16-bit mode	$16P + 20$	
		Case 2a: Memory accesses initiated immediately following a write when DMAC is inactive and $t_{w(DSH)}$ was < 10P	$20P + 20 - t_{w(DSH)}$	
		Case 2b: Memory accesses not immediately following a write when DMAC is inactive	$10P + 20$	
$t_{d(DSH-HYH)}$	Delay time, DS high to HRDY high	Memory writes when no DMA is active	$10P + 5$	ns
		Memory writes with one or more 16-bit DMA channels active	$16P + 5$	
		Memory writes with one or more 32-bit DMA channels active	$24P + 5$	
$t_{v(HYH-HDV)}$	Valid time, HD valid after HRDY high		7	ns
$t_{h(DSH-HDV)R}$	Hold time, HD valid after DS rising edge, read	1	6	ns
$t_{d(COH-HYH)}$	Delay time, CLKOUT rising edge to HRDY high		5	ns
$t_{d(DSL-HYL)}$	Delay time, DS low to HRDY low		12	ns
$t_{d(DSH-HYL)}$	Delay time, DS high to HRDY low		12	ns

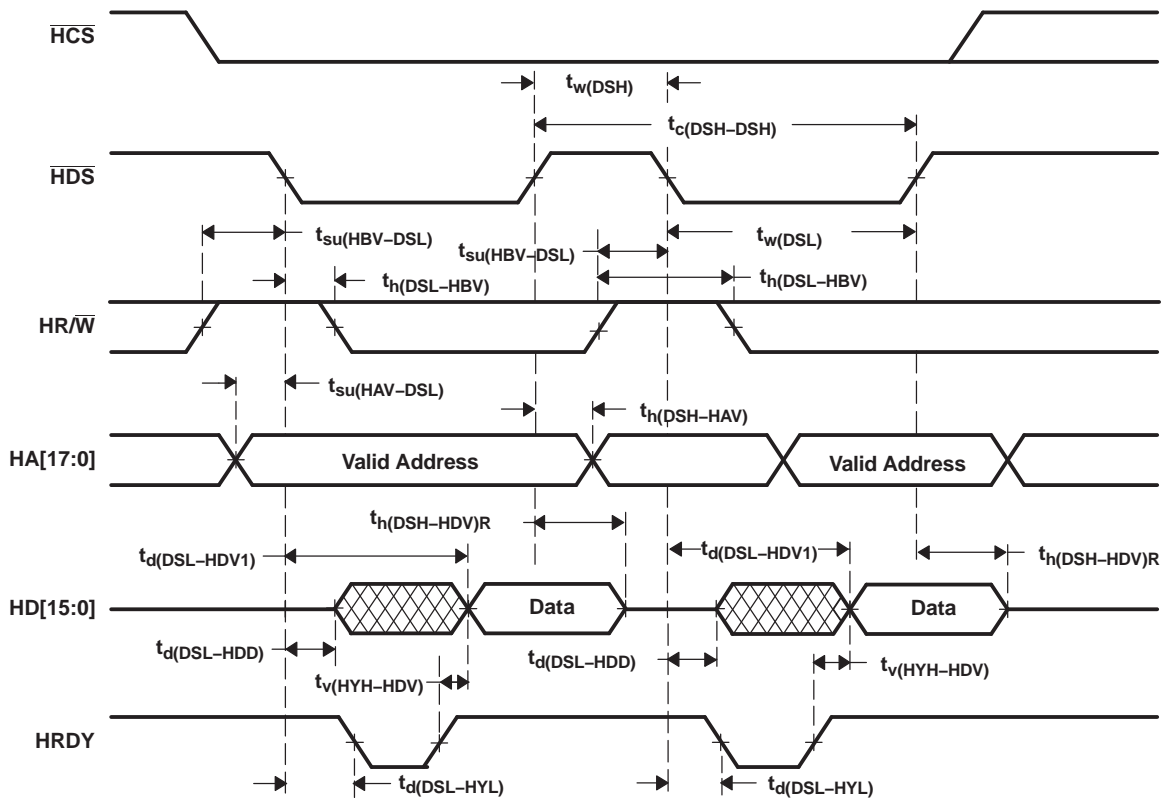


Figure 5-32. Nonmultiplexed Read Timings

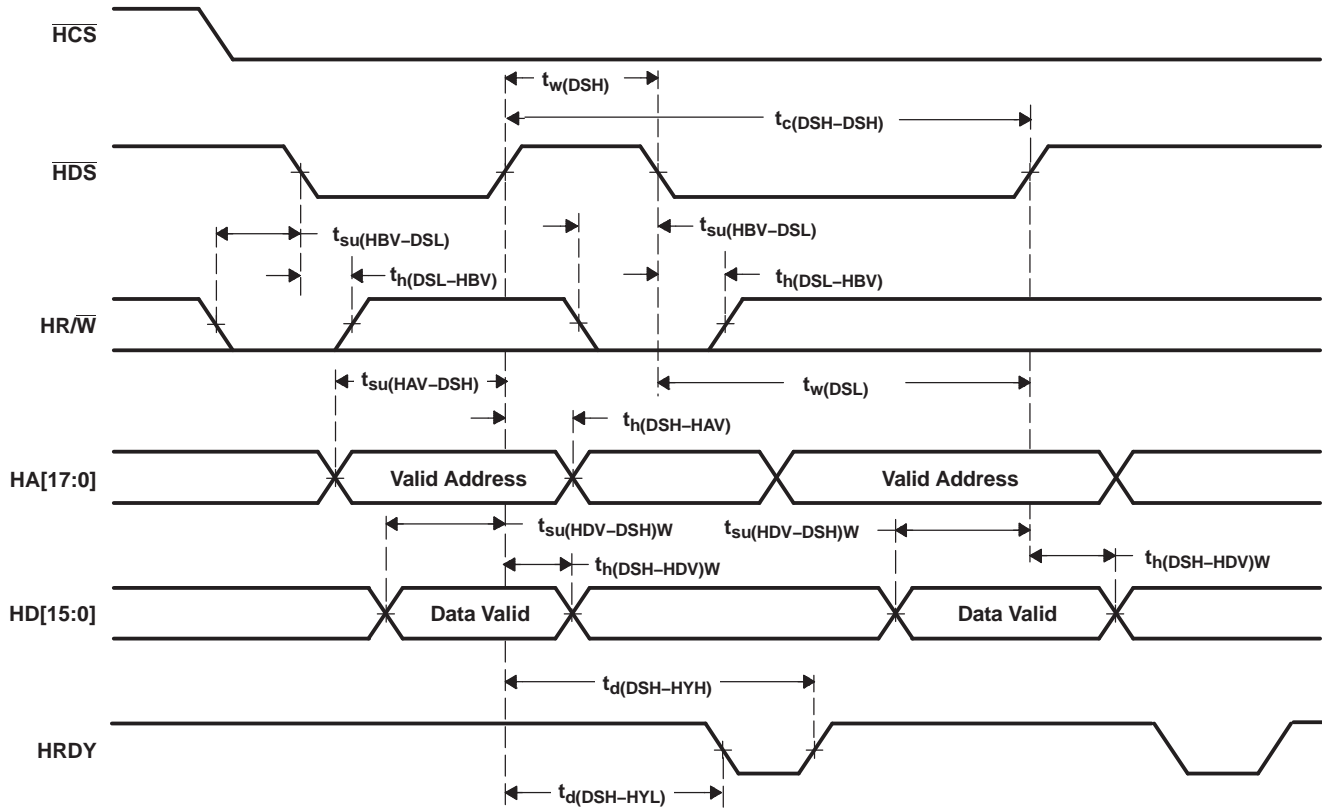


Figure 5-33. Nonmultiplexed Write Timings

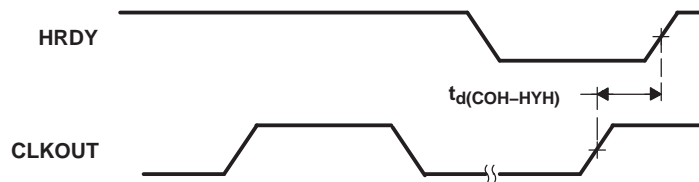


Figure 5-34. HRDY Relative to CLKOUT

6 Mechanical Data

The following mechanical package diagram(s) reflect the most current released mechanical data available for the designated device(s).

6.1 Package Thermal Resistance Characteristics

Table 6-1 provides the estimated thermal resistance characteristics for the recommended package types used on the device.

Table 6-1. Thermal Resistance Characteristics

PARAMETER	GGU PACKAGE	PGE PACKAGE	UNIT
$R_{\theta JA}$	38	56	°C/W
$R_{\theta JC}$	5	5	°C/W

PACKAGING INFORMATION

Orderable Device	Status (1)	Package Type	Package Drawing	Pins	Package Qty	Eco Plan (2)	Lead finish/ Ball material (6)	MSL Peak Temp (3)	Op Temp (°C)	Device Marking (4/5)	Samples
DVC5416PGE160IDWLD	ACTIVE	LQFP	PGE	144	60	RoHS & Green	NIPDAU	Level-1-260C-UNLIM	0 to 0	320VC5416 PGE 160 TMS	Samples
TMS320VC5416GWS120	ACTIVE	NFBGA	GWS	144	160	Non-RoHS & Green	SNPB	Level-3-220C-168 HR	-40 to 85	DVC5416GWS 120	Samples
TMS320VC5416GWS160	ACTIVE	NFBGA	GWS	144	160	Non-RoHS & Green	SNPB	Level-3-220C-168 HR	-40 to 85	DVC5416GWS 160	Samples
TMS320VC5416PGE120	ACTIVE	LQFP	PGE	144	60	RoHS & Green	NIPDAU	Level-1-260C-UNLIM	0 to 0	320VC5416PGE 120 TMS	Samples
TMS320VC5416PGE160	ACTIVE	LQFP	PGE	144	60	RoHS & Green	NIPDAU	Level-1-260C-UNLIM	0 to 0	320VC5416 PGE 160 TMS	Samples
TMS320VC5416ZWS120	ACTIVE	NFBGA	ZWS	144	160	RoHS & Green	SNAGCU	Level-3-260C-168 HR	-40 to 85	DVC5416ZWS 120	Samples
TMS320VC5416ZWS160	ACTIVE	NFBGA	ZWS	144	160	RoHS & Green	SNAGCU	Level-3-260C-168 HR	-40 to 85	DVC5416ZWS 160	Samples
TX5416PGE	ACTIVE	LQFP	PGE	144	60	RoHS & Green	NIPDAU	Level-1-260C-UNLIM	0 to 0	320VC5416 PGE 160 TMS	Samples

(1) The marketing status values are defined as follows:

ACTIVE: Product device recommended for new designs.

LIFEBUY: TI has announced that the device will be discontinued, and a lifetime-buy period is in effect.

NRND: Not recommended for new designs. Device is in production to support existing customers, but TI does not recommend using this part in a new design.

PREVIEW: Device has been announced but is not in production. Samples may or may not be available.

OBSELETE: TI has discontinued the production of the device.

(2) **RoHS:** TI defines "RoHS" to mean semiconductor products that are compliant with the current EU RoHS requirements for all 10 RoHS substances, including the requirement that RoHS substance do not exceed 0.1% by weight in homogeneous materials. Where designed to be soldered at high temperatures, "RoHS" products are suitable for use in specified lead-free processes. TI may reference these types of products as "Pb-Free".

RoHS Exempt: TI defines "RoHS Exempt" to mean products that contain lead but are compliant with EU RoHS pursuant to a specific EU RoHS exemption.

Green: TI defines "Green" to mean the content of Chlorine (Cl) and Bromine (Br) based flame retardants meet JS709B low halogen requirements of ≤ 1000 ppm threshold. Antimony trioxide based flame retardants must also meet the ≤ 1000 ppm threshold requirement.

(3) MSL, Peak Temp. - The Moisture Sensitivity Level rating according to the JEDEC industry standard classifications, and peak solder temperature.

(4) There may be additional marking, which relates to the logo, the lot trace code information, or the environmental category on the device.

(5) Multiple Device Markings will be inside parentheses. Only one Device Marking contained in parentheses and separated by a "~" will appear on a device. If a line is indented then it is a continuation of the previous line and the two combined represent the entire Device Marking for that device.

(6) Lead finish/Ball material - Orderable Devices may have multiple material finish options. Finish options are separated by a vertical ruled line. Lead finish/Ball material values may wrap to two lines if the finish value exceeds the maximum column width.

Important Information and Disclaimer: The information provided on this page represents TI's knowledge and belief as of the date that it is provided. TI bases its knowledge and belief on information provided by third parties, and makes no representation or warranty as to the accuracy of such information. Efforts are underway to better integrate information from third parties. TI has taken and continues to take reasonable steps to provide representative and accurate information but may not have conducted destructive testing or chemical analysis on incoming materials and chemicals. TI and TI suppliers consider certain information to be proprietary, and thus CAS numbers and other limited information may not be available for release.

In no event shall TI's liability arising out of such information exceed the total purchase price of the TI part(s) at issue in this document sold by TI to Customer on an annual basis.

OTHER QUALIFIED VERSIONS OF TMS320VC5416 :

- Military : [SMJ320VC5416](#)

NOTE: Qualified Version Definitions:

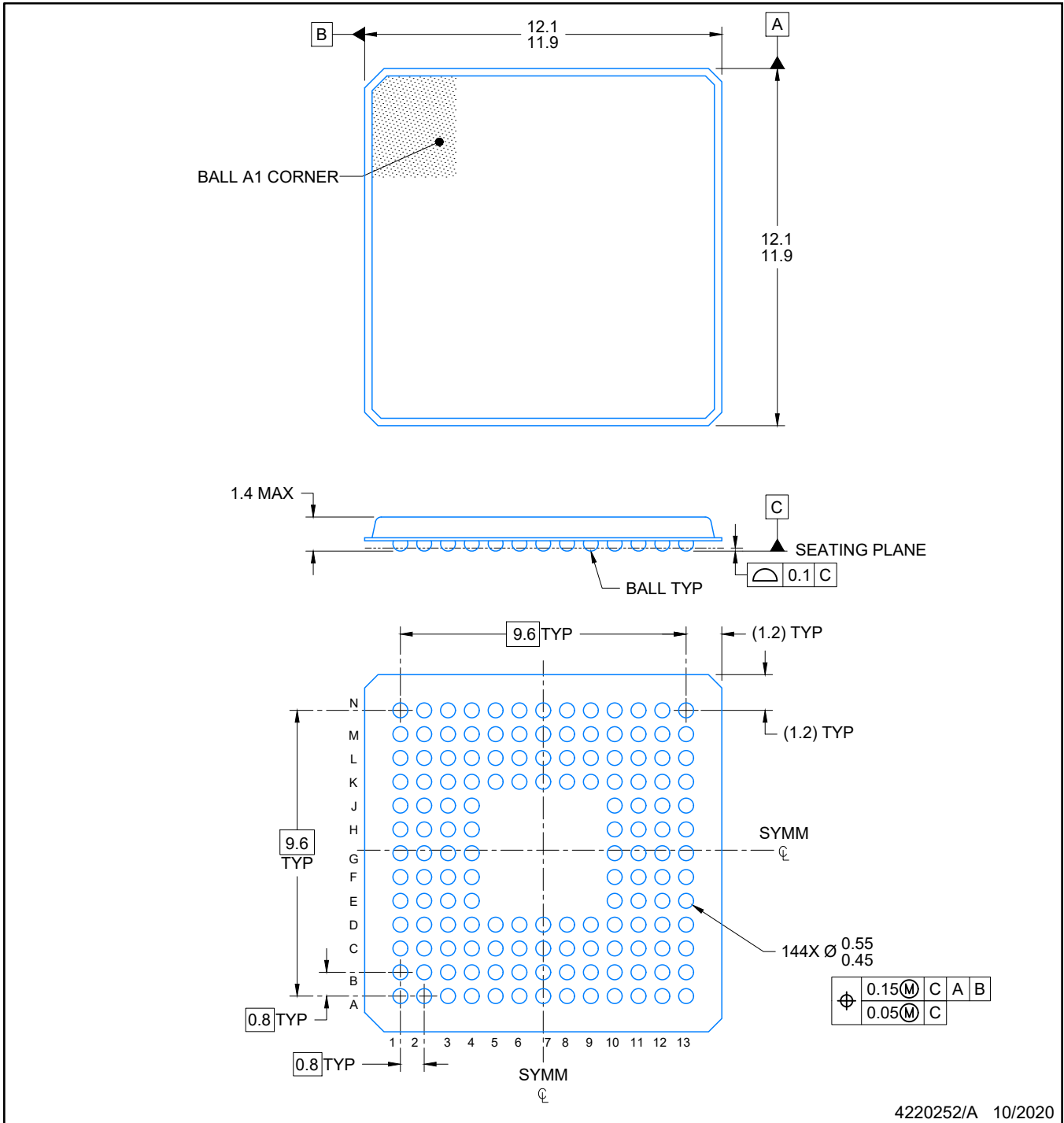
- Military - QML certified for Military and Defense Applications

PGE (S-PQFP-G144)

PLASTIC QUAD FLATPACK

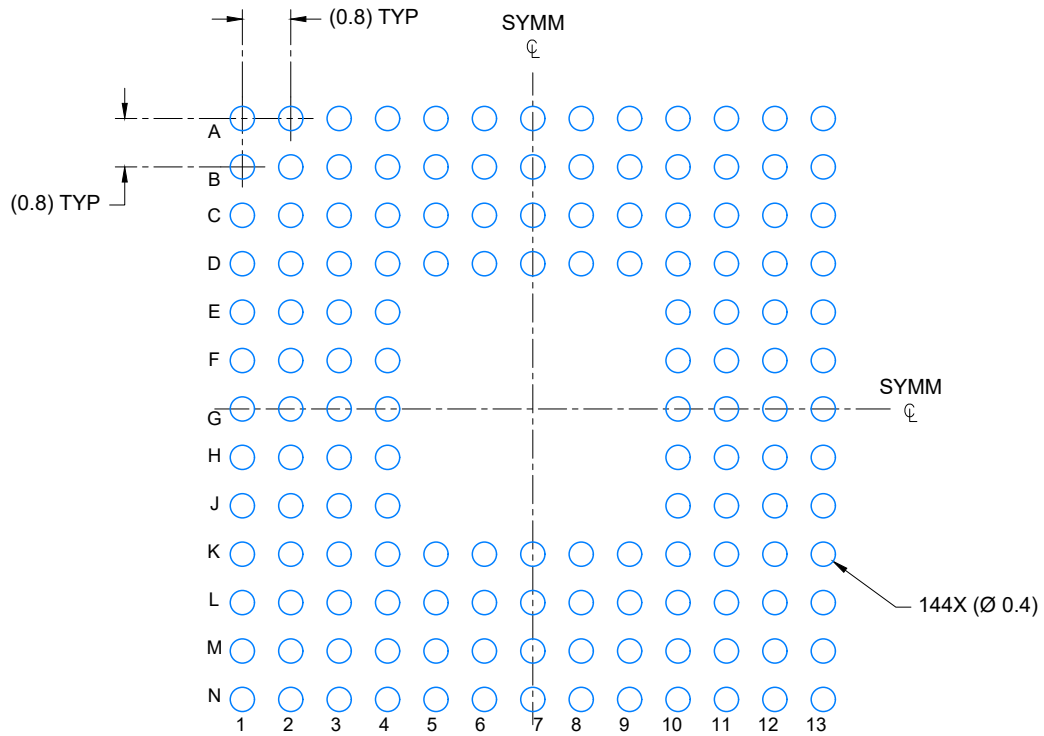


- NOTES: A. All linear dimensions are in millimeters.
 B. This drawing is subject to change without notice.
 C. Falls within JEDEC MS-026

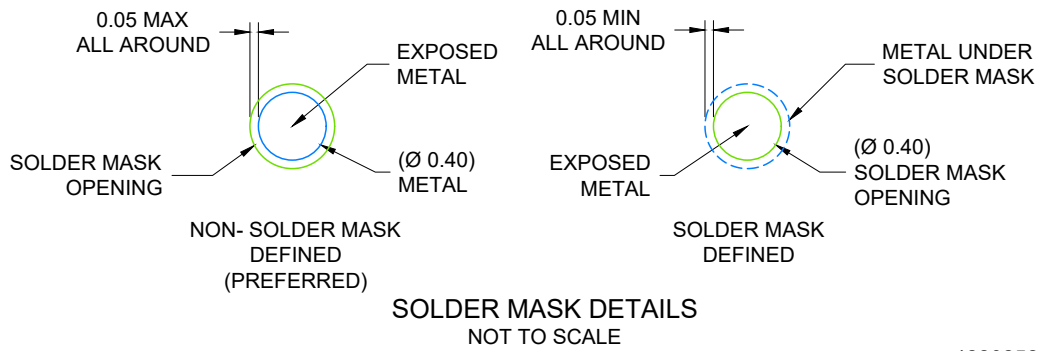


NOTES:

1. All linear dimensions are in millimeters. Any dimensions in parenthesis are for reference only. Dimensioning and tolerancing per ASME Y14.5M.
2. This drawing is subject to change without notice.
3. This is a Pb-Free ball design.



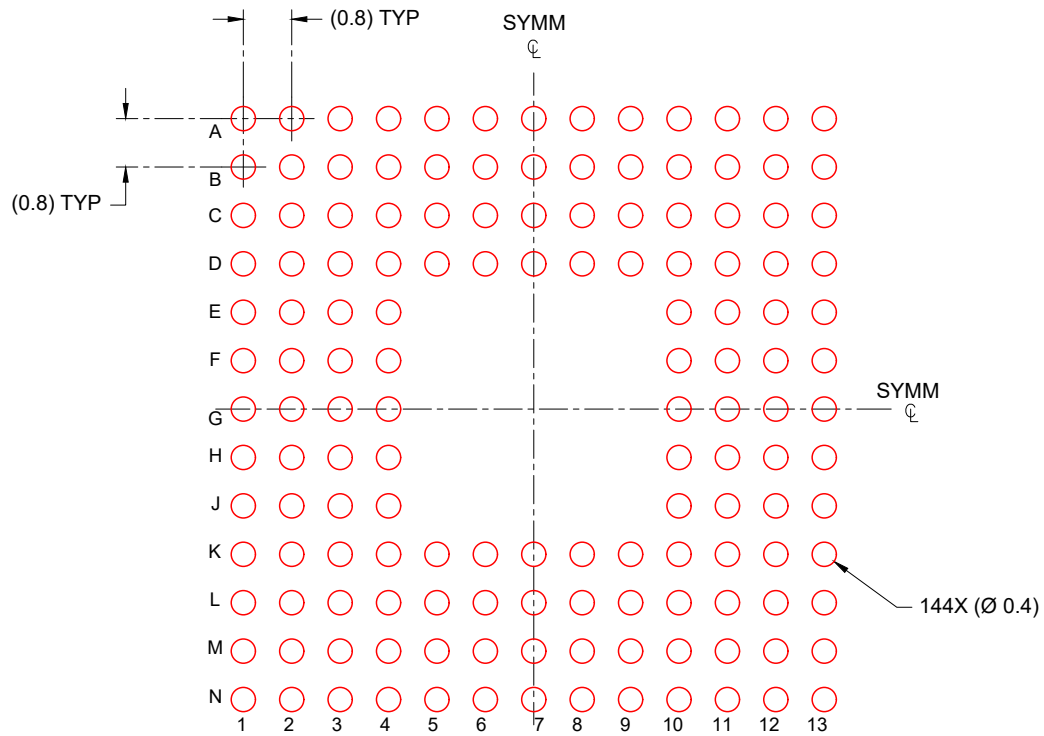
LAND PATTERN EXAMPLE
SCALE: 8X



4220252/A 10/2020

NOTES: (continued)

- 4. Final dimensions may vary due to manufacturing tolerance considerations and also routing constraints.



SOLDER PASTE EXAMPLE
BASED ON 0.150 mm THICK STENCIL
SCALE: 8X

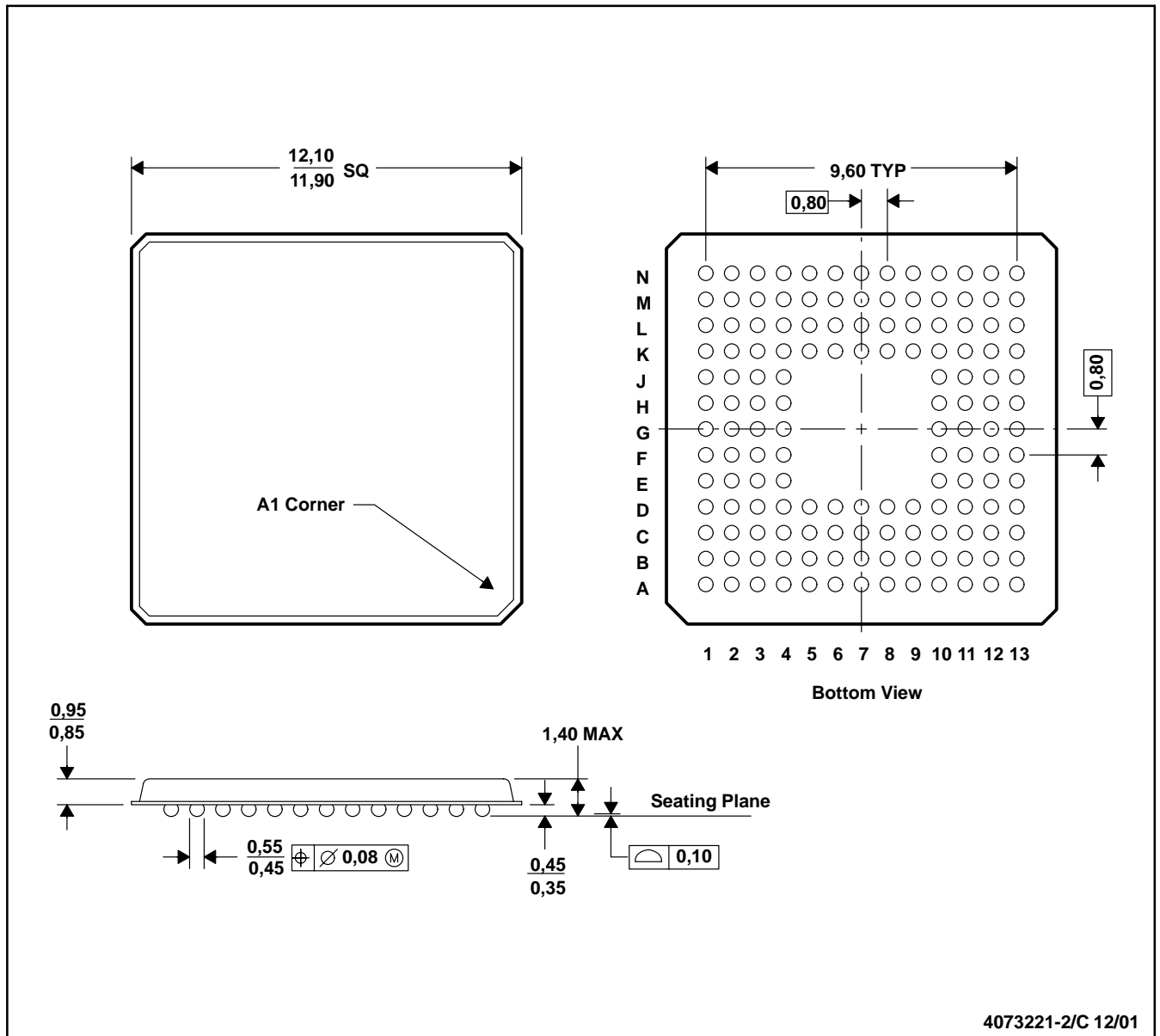
4220252/A 10/2020

NOTES: (continued)

- 5. For alternate stencil design recommendations see IPC-7525 or board assembly site preference.

GGU (S-PBGA-N144)

PLASTIC BALL GRID ARRAY



- NOTES: A. All linear dimensions are in millimeters.
 B. This drawing is subject to change without notice
 C. MicroStar BGA™ configuration

MicroStar BGA is a trademark of Texas Instruments Incorporated.



IMPORTANT NOTICE AND DISCLAIMER

TI PROVIDES TECHNICAL AND RELIABILITY DATA (INCLUDING DATASHEETS), DESIGN RESOURCES (INCLUDING REFERENCE DESIGNS), APPLICATION OR OTHER DESIGN ADVICE, WEB TOOLS, SAFETY INFORMATION, AND OTHER RESOURCES "AS IS" AND WITH ALL FAULTS, AND DISCLAIMS ALL WARRANTIES, EXPRESS AND IMPLIED, INCLUDING WITHOUT LIMITATION ANY IMPLIED WARRANTIES OF MERCHANTABILITY, FITNESS FOR A PARTICULAR PURPOSE OR NON-INFRINGEMENT OF THIRD PARTY INTELLECTUAL PROPERTY RIGHTS.

These resources are intended for skilled developers designing with TI products. You are solely responsible for (1) selecting the appropriate TI products for your application, (2) designing, validating and testing your application, and (3) ensuring your application meets applicable standards, and any other safety, security, or other requirements. These resources are subject to change without notice. TI grants you permission to use these resources only for development of an application that uses the TI products described in the resource. Other reproduction and display of these resources is prohibited. No license is granted to any other TI intellectual property right or to any third party intellectual property right. TI disclaims responsibility for, and you will fully indemnify TI and its representatives against, any claims, damages, costs, losses, and liabilities arising out of your use of these resources.

TI's products are provided subject to TI's Terms of Sale (<https://www.ti.com/legal/termsofsale.html>) or other applicable terms available either on [ti.com](https://www.ti.com) or provided in conjunction with such TI products. TI's provision of these resources does not expand or otherwise alter TI's applicable warranties or warranty disclaimers for TI products.

Mailing Address: Texas Instruments, Post Office Box 655303, Dallas, Texas 75265
Copyright © 2021, Texas Instruments Incorporated

单击下面可查看定价，库存，交付和生命周期等信息

[>>TI\(德州仪器\)](#)