

## 18V, 45mΩ R<sub>ds(on)</sub> Power Switch with Programmable Soft-start

### FEATURES

- 2.7V to 18V Input Voltage Range
- Low R<sub>ds(on)</sub>: 45mΩ at V<sub>IN</sub>=12V typical
- Low Quiescent Current: 48μA typical
- Low Shutdown Current: 4μA typical
- Externally Programmable Soft-start Time
- Output Auto Discharge Function
- Over Current Protection
- Output Short Protection
- Thermal Shutdown Protection
- Input Over Voltage Protection (OVP)
- SOT23-5 Package

### GENERAL DESCRIPTION

The TMI6240 is a single channel line power switch with low on-resistance. Input voltage range could support from 2.7V to 18V. The switch is controlled by an active high enable pin. A programmable soft-start function could be used to set the proper rising time to reduce inrush current caused by large load capacitance. Current protection and thermal shutdown function protect the device against over current and high junction temperature.

This device is available in a space-saving SOT23-5 package.

### APPLICATIONS

- Flat Panel Television and Monitor
- Digital Set Top Boxes
- Industrial Systems
- Distributed Power Systems
- Surveillance Systems

### TYPICAL APPILICATION

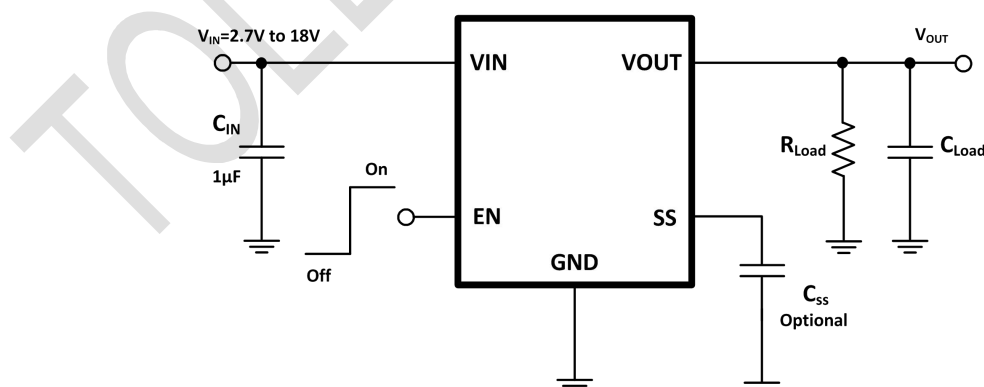


Figure 1. Typical Application Circuits

单击下面可查看定价，库存，交付和生命周期等信息

[>>TMI](#)