

Wide-Input Range CC/CV Step-Down Synchronous DC/DC Converter

FEATURES

- 36V Input Voltage Surge
- Wide input voltage: 8V~30V
- Up to 2.4A Output Current at 5V Output
- 130kHz~500kHz Adjustable Frequency
- $\pm 6\%$ CC Accuracy
- Internal Compensation
- 32V Input OVP Protection
- Output OVP Protection
- Efficiency up to 93% at 2.4A
- 0.2V~2V Output Line Drop Compensation
- $\pm 2\%$ Feedback Voltage Accuracy
- Integrated Soft Start
- Thermal Shutdown
- Secondary Cycle-by-Cycle Current Limit
- EMI Consideration
- ESOP8 Package

GENERAL DESCRIPTION

TMI2242 is a wide input voltage, high efficiency Active CC step-down DC/DC converter that operates in either CV(Constant Output Voltage) mode or CC(Constant Output Current) mode. TMI2242 provides up to total 2.4A output current at 5V output. Switching frequency can be set by external resistor. Maximum 93% efficient be obtained at 2.4A and 5V output. One current sensor pin ensures two channel CC control. TMI2242 internal Integrate 80m Ω internal high side and 60m Ω internal low side power MOSFET. Advanced production features include UVLO, Thermal Shutdown, Soft Start, OVP.

APPLICATIONS

- Car Charger/ Adaptor
- Rechargeable Portable Devices
- General-Purpose CC/CV Supply

TYPICAL APPLICATION

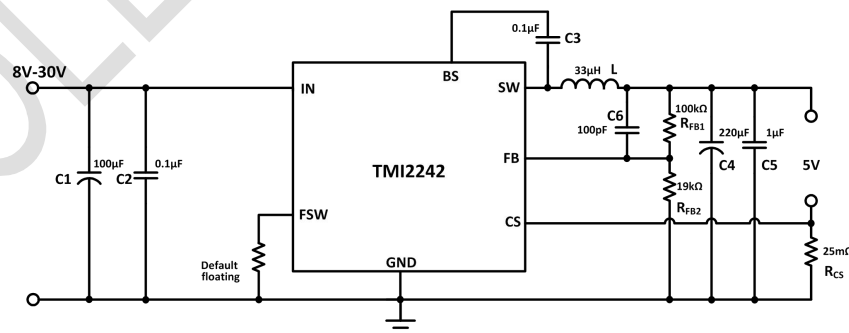


Figure 1. Basic Application Circuit

单击下面可查看定价，库存，交付和生命周期等信息

[>>TMI](#)