

XC6240 Series

ETR03114-002

Charging ICs for Rechargeable Batteries Compatible with CV Charging
(0.8 μ A Low Power Consumption Voltage Regulator)

■ GENERAL DESCRIPTION

The XC6240 series of products consists of regulators which have achieved an ultra-low supply current of 0.8 μ A, and can be used for charging rechargeable batteries compatible with CV (Constant Voltage) charging.

The output voltage of these products is internally fixed to be compatible with the CV voltages of rechargeable batteries.

Even if fluctuations are taken into account, the CV voltages of rechargeable batteries will not be exceeded, so charging can be performed without concern.

The addition of a diode on the input side also allows the sink current flowing from a rechargeable battery to the regulator to be suppressed to 0.24 μ A, which can greatly contribute to extending the battery-driven time while charging is not being performed.

The CE function can turn the regulator output off and put the IC into a shutdown state where the supply current can be substantially reduced. The available package lineup consists of SSOT-24, USPN-4, and USP-6B06, which are ideal for applications such as mobile devices which require high-density mounting, or smart cards which require thin elements.

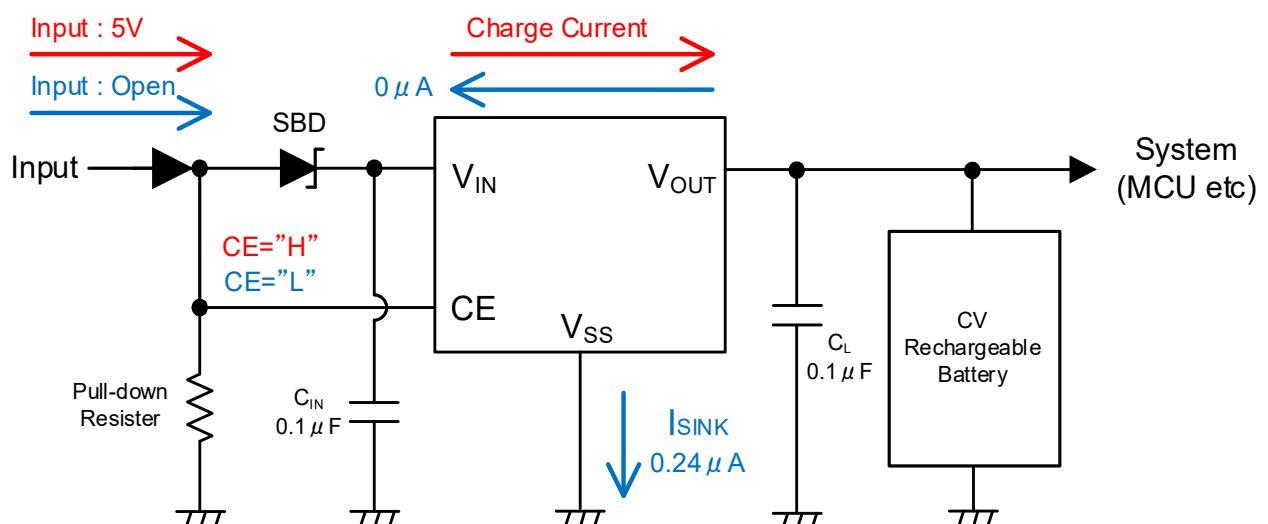
■ APPLICATIONS

- Rechargeable Batteries Compatible with CV Charging
- IoT devices
- Smart cards

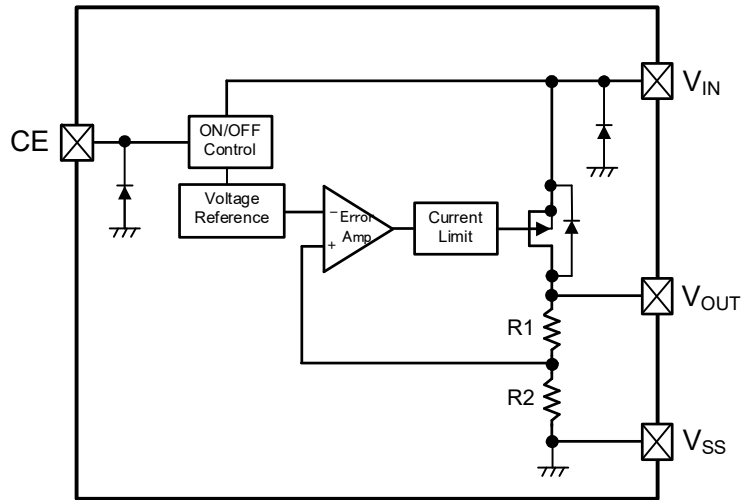
■ FEATURES

Operating Voltage Range	: 1.5V ~ 6.0V
Output Voltage	: 2.63V \pm 1.5%
Maximum Output Current	: 150mA (300mA Limit)
Dropout Voltage	: 450mV@ $I_{OUT}=100mA$
Low Supply Current	: 0.8 μ A
V_{OUT} Pin Sink Current	: 0.24 μ A
Stand-by Current	: 0.01 μ A
Operating Temperature Range	: -40°C ~ 85°C
Protective Function	: Current Limit
Output Capacitor	: Ceramic capacitor
Packages	: SSOT-24 (2.00 x 2.10 x 1.10mm) USPN-4 (0.90 x 1.20 x 0.40mm) USP-6B06 (1.80 x 1.50 x 0.33mm)
Environmentally Friendly	: EU RoHS Compliant, Pb Free

■ TYPICAL APPLICATION CIRCUIT



■ BLOCK DIAGRAMS



* Diodes inside the circuits are ESD protection diodes and parasitic diodes

■ PRODUCT CLASSIFICATION

● Ordering Information

XC6240①②③④⑤⑥-⑦

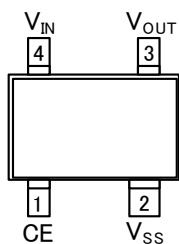
DESIGNATOR	ITEM	SYMBOL	DESCRIPTION
①	Type	A	CE High Active
②③④	Output Voltage	263	2.63V ($\pm 1.5\%$ Accuracy)
⑤⑥-⑦ (*1)	Packages (Order Unit)	NR-G(*1)	SSOT-24 (3,000pcs/Reel)
		7R-G(*1)	USPN-4 (5,000pcs/Reel)
		8R-G(*1)	USP-6B06 (5,000pcs/Reel)

(*1) "-G" suffix denotes Halogen and Antimony free as well as being fully EU RoHS compliant.

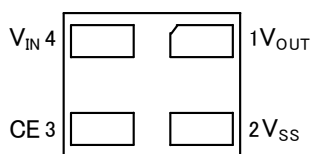
● Selection Guide

Type	Rechargeable Battery CV Voltage	Output Voltage TYP.	Output Voltage MAX.
XC6240A263	2.7V	2.630V	2.700V

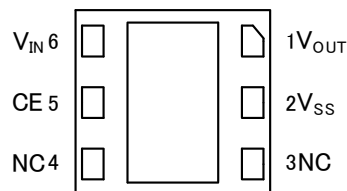
■ PIN CONFIGURATION



SSOT-24
(TOP VIEW)



USPN-4
(BOTTOM VIEW)



USP-6B06
(BOTTOM VIEW)

* For mounting intensity and heat dissipation, please refer to recommended mounting pattern and recommended metal mask when soldering the pad of USP-6B06. Mounting should be electrically isolated or connected to the V_{ss} (No.2) pin.

■ PIN ASSIGNMENT

PIN NUMBER			PIN NAME	FUNCTIONS
SSOT-24	USPN-4	USP-6B06		
1	3	5	CE	ON/OFF Control
2	2	2	V _{ss}	Ground
3	1	1	V _{OUT}	Output
4	4	6	V _{IN}	Power Input
-	-	3,4	NC	No Connection

■ FUNCTION CHART

XC6240 Series

PIN NAME	SIGNAL	STATUS
CE	L	Stand-by
	H	Active
	OPEN	Undefined state*

* Please do not leave the CE pin open. Each should have a certain voltage.

■ ABSOLUTE MAXIMUM RATINGS

PARAMETER		SYMBOL	RATINGS	UNITS
Input Voltage		V_{IN}	-0.3 ~ 7.0	V
Output Voltage		V_{OUT}	-0.3 ~ $V_{IN} + 0.3$	V
CE Input Voltage		V_{CE}	-0.3 ~ 7.0	V
Power Dissipation ($T_a=25^\circ\text{C}$)	SSOT-24	Pd	680 (JESD51-7 Board) ^(*)	mW
	USPN-4		600 (40mm x 40mm Standard Board) ^(*)	
	USP-6B06		900 (40mm x 40mm Standard Board) ^(*)	
Operating Ambient Temperature		T_{opr}	-40 ~ 85	$^\circ\text{C}$
Storage Temperature		T_{stg}	-55 ~ 125	$^\circ\text{C}$

All voltages are described based on the V_{SS} .

^(*) The power dissipation figure shown is PCB mounted and is for reference only.

The mounting condition is please refer to PACKAGING INFORMATION.

■ ELECTRICAL CHARACTERISTICS

XC6240 Series

Ta=25°C

PARAMETER	SYMBOL	CONDITIONS		MIN.	TYP.	MAX.	UNITS	CIRCUIT
Input Voltage	V _{IN}			1.5	-	6.0	V	-
Output Voltage	V _{OUT(E)} ⁽¹⁾	V _{IN} =V _{CE} =3.63V I _{OUT} =1mA	Ta=25°C	2.591	2.630	2.669	V	①
			-40°C ≤ Ta ≤ 85°C ⁽³⁾	-	2.630	2.700		
Maximum Output Current	I _{OUTMAX}	V _{IN} =V _{CE} =3.63V		150	-	-	mA	①
Load Regulation	ΔV _{OUT}	V _{IN} =V _{CE} =3.63V 1mA ≤ I _{OUT} ≤ 100mA		-	15	70	mV	①
Dropout Voltage	V _{dif} ⁽²⁾	V _{CE} =V _{IN} I _{OUT} =100mA		-	450	580	mV	①
Supply Current	I _{SS}	V _{IN} =V _{CE} =3.63V		-	0.8	1.5	μA	②
Stand-by Current	I _{STB}	V _{IN} =3.63V V _{CE} =V _{SS}		-	0.01	0.10	μA	②
V _{OUT} Pin Sink Current	I _{SINK}	V _{IN} =V _{OUT} =2.7V V _{CE} =V _{SS}		-	0.24	0.60	μA	③
Line Regulation	ΔV _{OUT} / (ΔV _{IN} · V _{OUT})	3.13V ≤ V _{IN} ≤ 6.0V I _{OUT} =30mA V _{CE} =V _{IN}		-	0.05	0.15	%/V	①
Output Voltage Temperature Characteristics	ΔV _{OUT} / (ΔT _{opr} · V _{OUT})	V _{IN} =V _{CE} =3.63V I _{OUT} =30mA -40°C ≤ T _{opr} ≤ 85°C		-	±100	-	ppm/°C	①
Current Limit	I _{LIM}	V _{IN} =V _{CE} =4.63V V _{OUT} =2.50V		200	300	-	mA	①
Short Circuit Current	I _{SHORT}	V _{IN} =V _{CE} =3.63V V _{OUT} =0V		-	50	-	mA	①
CE "H" Voltage	V _{CEH}	V _{IN} =3.63V	Ta=25°C	1.0	-	6.0	V	①
			-40°C ≤ Ta ≤ 85°C ⁽³⁾					
CE "L" Voltage	V _{CEL}	V _{IN} =3.63V	Ta=25°C	V _{SS}	-	0.3	V	①
			-40°C ≤ Ta ≤ 85°C ⁽³⁾					
CE "H" Current	I _{CEH}	V _{IN} =V _{CE} =3.63V		-0.1	0.0	0.1	μA	②
CE "L" Current	I _{CEL}	V _{IN} =3.63V V _{CE} =V _{SS}		-0.1	0.0	0.1	μA	②

⁽¹⁾ V_{OUT(E)} : Effective output voltage. Unless otherwise stated regarding input voltage conditions, (V_{IN}=3.63V).

⁽²⁾ V_{dif} = { V_{IN1} - V_{OUT1} }

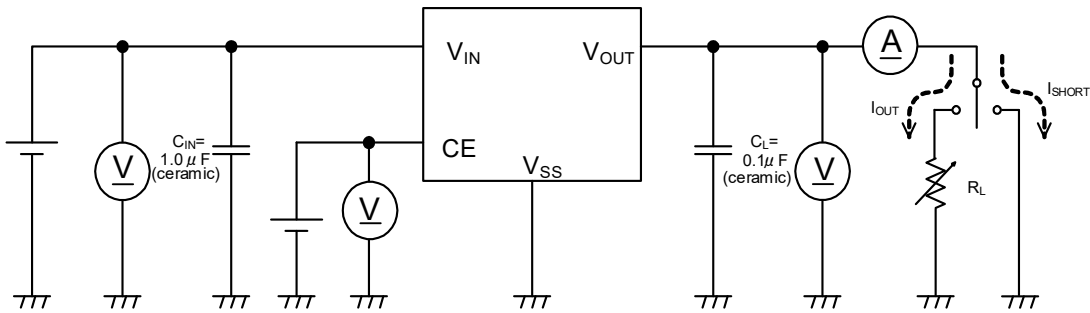
V_{IN1} : The input voltage when V_{OUT1} appears as input voltage is gradually decreased.

V_{OUT1} : A voltage equal to 98% of the output voltage whenever an amply stabilized I_{OUT} { V_{IN}=3.63V } is input.

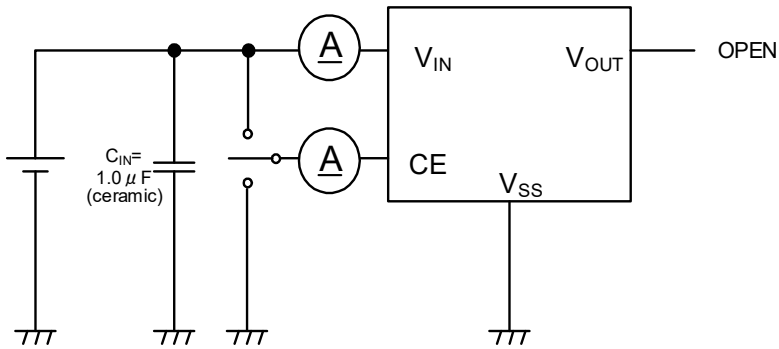
⁽³⁾ The ambient temperature range (-40°C ≤ Ta ≤ 85°C) is design Value.

TEST CIRCUITS

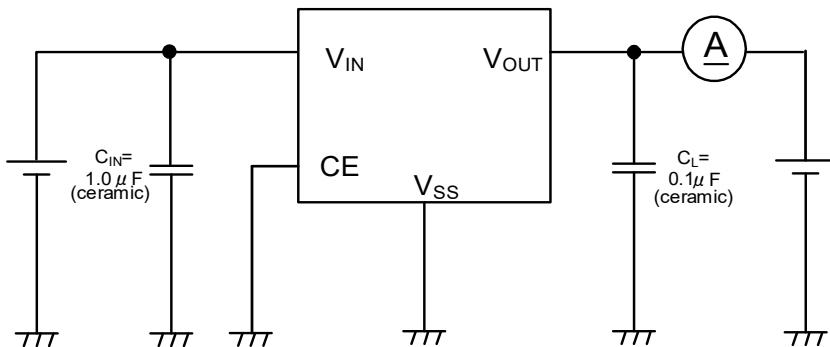
TEST CIRCUITS ①



TEST CIRCUITS ②

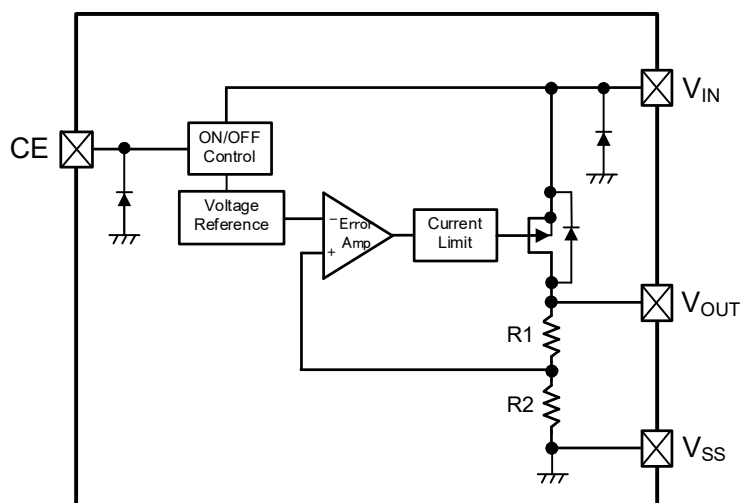


TEST CIRCUITS ③



■ OPERATIONAL EXPLANATION

The voltage divided by resistors R1 & R2 is compared with the internal voltage reference by the error amplifier. The P-channel MOSFET, which is connected to the V_{OUT} pin, is then driven by the subsequent output signal. The output voltage at the V_{OUT} pin is controlled and stabilized by a system of negative feedback.



* Diodes inside the circuits are ESD protection diodes and parasitic diodes.

< Current Limit, Short-Circuit Protection >

The XC6240 series limit output current by current fold-back circuit. When the output current reaches the current limit level (TYP. 300mA), the current fold-back circuit operates and the output current also drops as the output voltage drops. The output voltage drops further and output current decreases. When the output pin is shorted, the output current is I_{SHORT} (TYP. 50mA).

< CE Function >

The IC's internal circuitry can be shutdown via the signal from the CE pin with the XC6240 series. In shutdown mode, output at the V_{OUT} pin will be pulled down to the V_{SS} level via R1 & R2.

The output voltage becomes unstable, when the CE pin is open. Please input a certain voltage within an electrical characteristic into CE pin.

If this IC is used with the correct output voltage for the CE pin, the logic is fixed and the IC will operate normally. However, supply current may increase as a result of through current in the IC's internal circuitry when medium voltage is input.

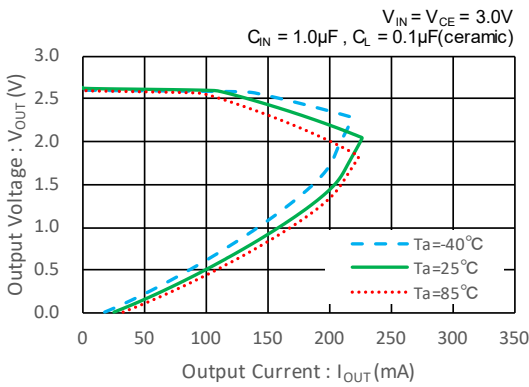
■ NOTES ON USE

- 1) For temporary, transitional voltage drop or voltage rising phenomenon, the IC is liable to malfunction should the ratings be exceeded.
- 2) Where wiring impedance is high, operations may become unstable due to noise and/or phase lag depending on output current.
Please strengthen V_{IN} and V_{SS} wiring in particular.
- 3) As for the XC6240 series, internally achieved phase compensation makes a stable operation of the IC possible even when there is no output capacitor (C_L).
In order to stabilize the input power supply during use, mount a low-ESR capacitor with an effective capacity of 0.1μF or greater between the V_{IN} and V_{SS} pins as an input capacitor (C_{IN}).
Also, during transient fluctuation conditions when there are concerns of undershoot or overshoot, it is recommended to mount an output capacitor (C_L) between the V_{OUT} and V_{SS} pins with an effective capacity of roughly 0.1μF~10μF. If an output capacitor (C_L) which differs from the recommended values is used, the output stability may be affected.
However, please wire the input capacitor (C_{IN}) and the output capacitor (C_L) as close to the IC as possible.
- 4) Torex places an importance on improving our products and its reliability. However, by any possibility, we would request user fail-safe design and post-aging treatment on system or equipment.

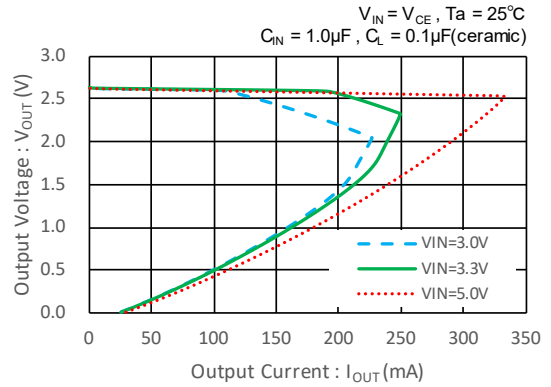
TYPICAL PERFORMANCE CHARACTERISTICS

(1) Output Voltage vs. Output Current

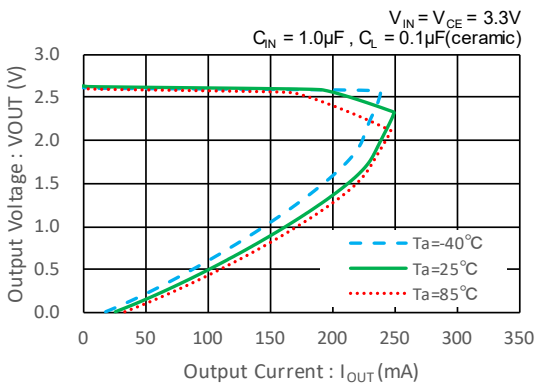
XC6240A263



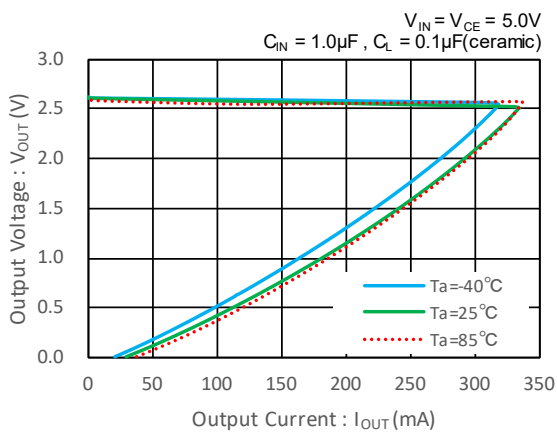
XC6240A263



XC6240A263

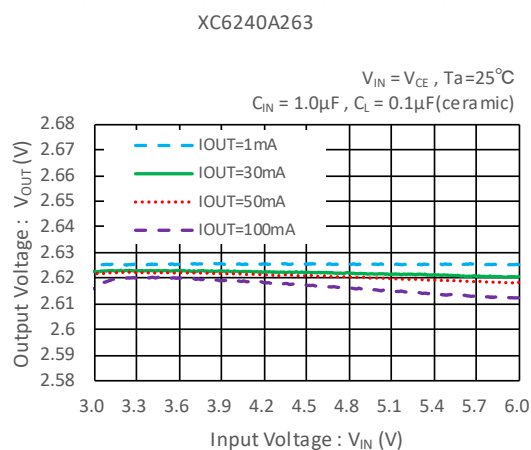
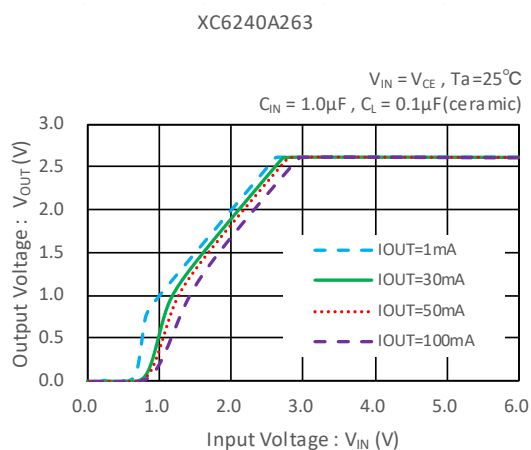


XC6240A263

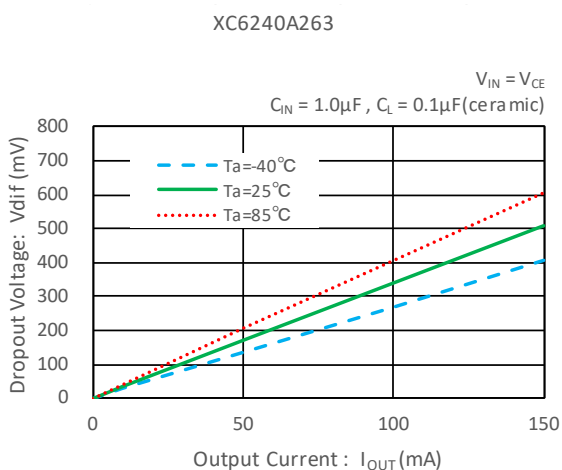


■ TYPICAL PERFORMANCE CHARACTERISTICS (Continued)

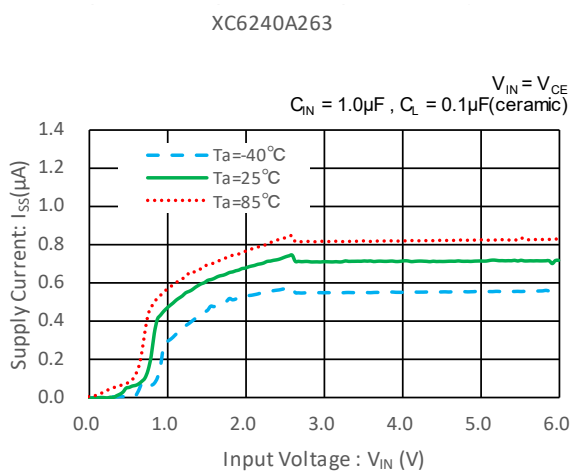
(2) Output Voltage vs. Input Voltage



(3) Dropout Voltage vs. Output Current

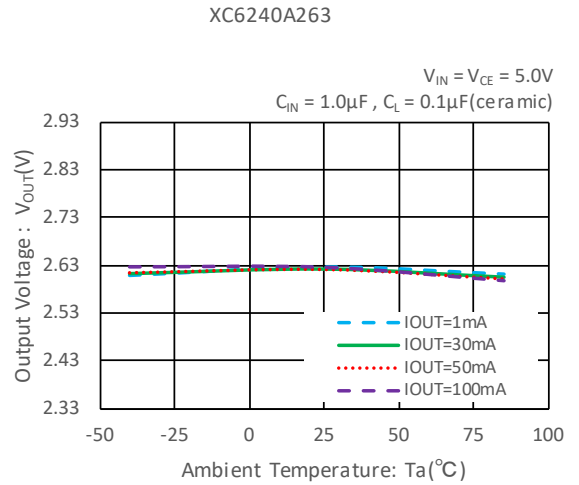
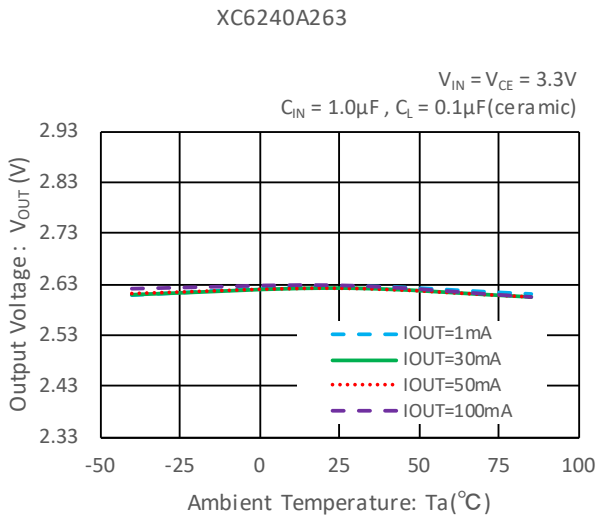


(4) Supply Current vs. Input Voltage

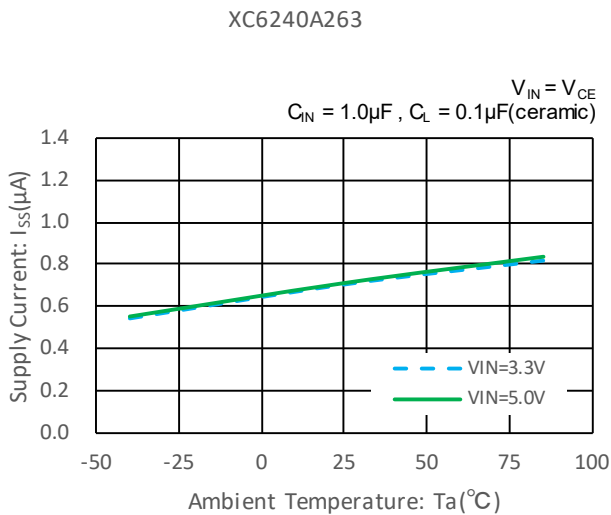


TYPICAL PERFORMANCE CHARACTERISTICS (Continued)

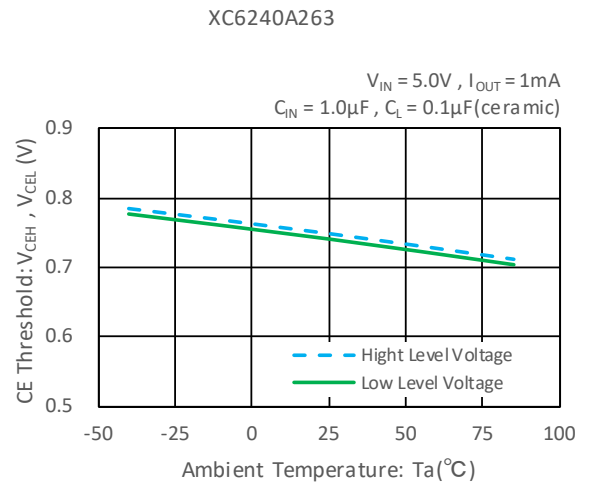
(5) Output Voltage vs. Ambient Temperature



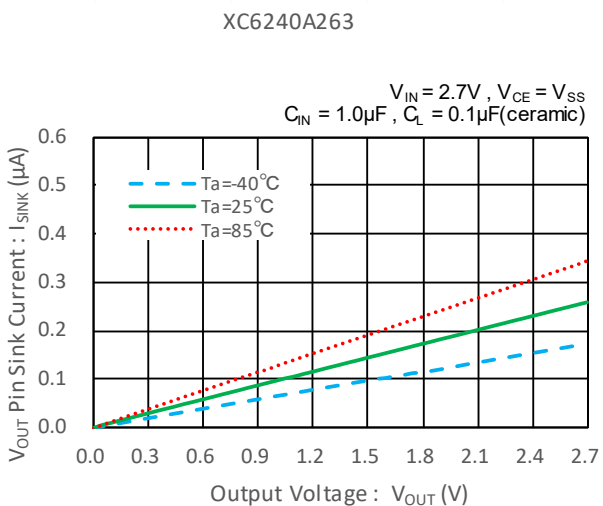
(6) Supply Current vs. Ambient Temperature



(7) CE Threshold Voltage vs. Ambient Temperature

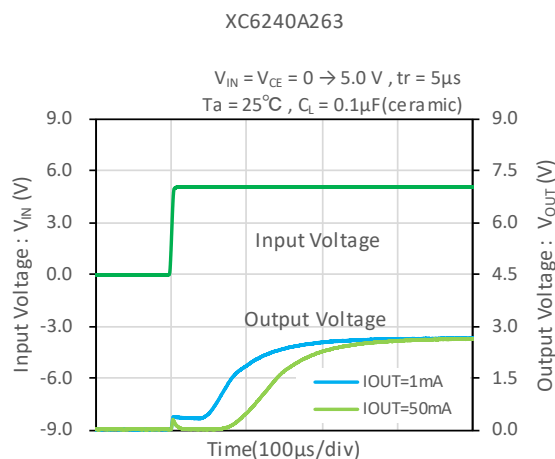
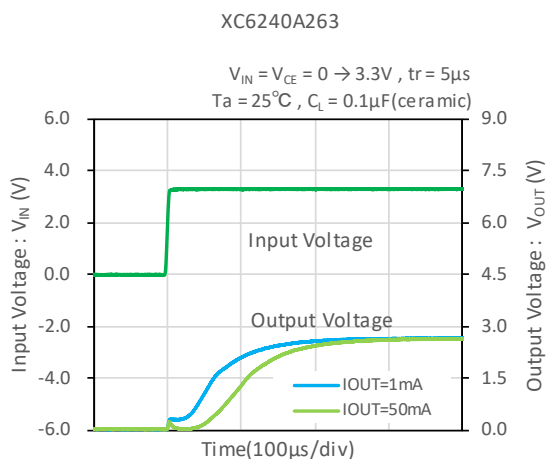


(8) V_{OUT} Pin Sink Current vs. Output Voltage

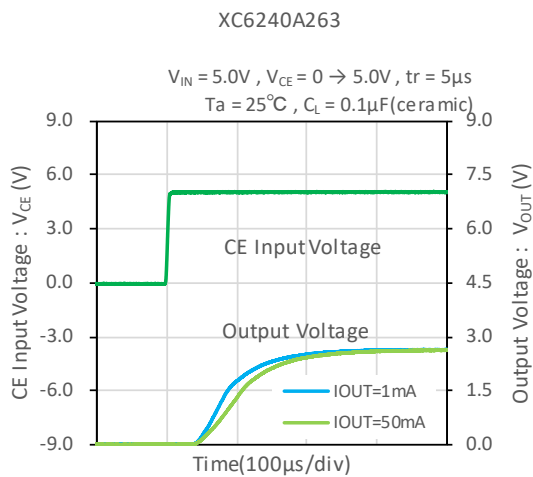
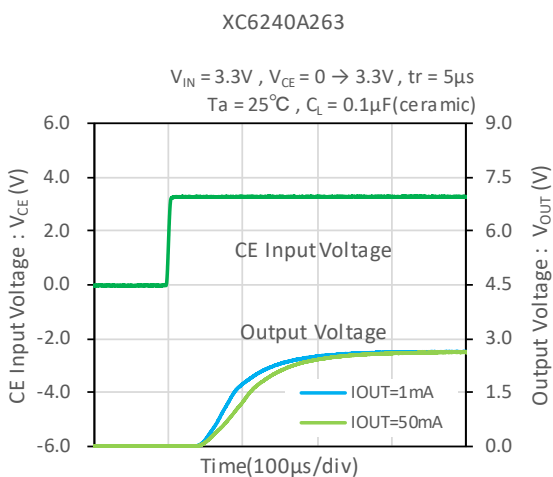


■ TYPICAL PERFORMANCE CHARACTERISTICS (Continued)

(9) Turn-On Response



(10) CE Transient Response



■ PACKAGING INFORMATION

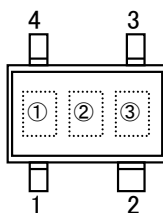
For the latest package information go to, www.torexsemi.com/technical-support/packages

PACKAGE	OUTLIN / LAND PATTERN	THERMAL CHARACTERISTICS	
SSOT-24	SSOT-24 PKG	JESD51-7 Board	SSOT-24 Power Dissipation
USPN-4	USPN-4 PKG	Standard Board	USPN-4 Power Dissipation
USP-6B06	USP-6B06 PKG	Standard Board	USP-6B06 Power Dissipation

MARKING RULE

● SSOT-24

SSOT-24



① represents type of regulator and output voltage range

MARK	Regulator type	OUTPUT VOLTAGE RANGE	PRODUCT SERIES
V	CE "H" Active, Without pulldown resistor	2.63V	XC6240A263*

② represents output voltage.

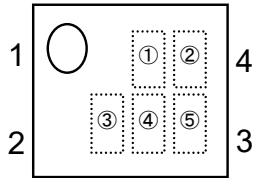
MARK	OUTPUT VOLTAGE(V)
U	2.63

③ represents production lot number 0~9, A~Z in order.
(G, I, J, O, Q, W excepted) *No character inversion used.

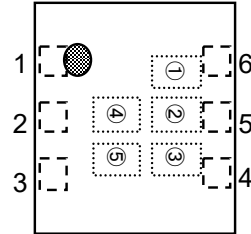
MARKING RULE

●USPN-4 / USP-6B06

USPN-4



USP-6B06



①represents product number

MARK	PRODUCT SERIES
E	XC6240*****

②represents type of regulator and output voltage range

MARK	Regulator type	OUTPUT VOLTAGE RANGE	PRODUCT SERIES
A	CE "H" Active, Without pulldown resistor	2.63V	XC6240A263*

③represents output voltage

MARK	OUTPUT VOLTAGE (V)
U	2.63

④,⑤ represents production lot number. 01~09, 0A~0Z, 11...9Z, A1~A9, AA...Z9, ZA~ZZ in order.
(G, I, J, O, Q, W excepted) *No character inversion used.

1. The product and product specifications contained herein are subject to change without notice to improve performance characteristics. Consult us, or our representatives before use, to confirm that the information in this datasheet is up to date.
2. The information in this datasheet is intended to illustrate the operation and characteristics of our products. We neither make warranties or representations with respect to the accuracy or completeness of the information contained in this datasheet nor grant any license to any intellectual property rights of ours or any third party concerning with the information in this datasheet.
3. Applicable export control laws and regulations should be complied and the procedures required by such laws and regulations should also be followed, when the product or any information contained in this datasheet is exported.
4. The product is neither intended nor warranted for use in equipment of systems which require extremely high levels of quality and/or reliability and/or a malfunction or failure which may cause loss of human life, bodily injury, serious property damage including but not limited to devices or equipment used in 1) nuclear facilities, 2) aerospace industry, 3) medical facilities, 4) automobile industry and other transportation industry and 5) safety devices and safety equipment to control combustions and explosions. Do not use the product for the above use unless agreed by us in writing in advance.
5. Although we make continuous efforts to improve the quality and reliability of our products; nevertheless Semiconductors are likely to fail with a certain probability. So in order to prevent personal injury and/or property damage resulting from such failure, customers are required to incorporate adequate safety measures in their designs, such as system fail safes, redundancy and fire prevention features.
6. Our products are not designed to be Radiation-resistant.
7. Please use the product listed in this datasheet within the specified ranges.
8. We assume no responsibility for damage or loss due to abnormal use.
9. All rights reserved. No part of this datasheet may be copied or reproduced unless agreed by Torex Semiconductor Ltd in writing in advance.

TOREX SEMICONDUCTOR LTD.

单击下面可查看定价，库存，交付和生命周期等信息

[>>Torex Semiconductor\(特瑞仕\)](#)