

# XC9242/XC9243 Series

ETR0521-012

## 2A Synchronous Step-Down DC/DC Converters

GreenOperation Compatible

### GENERAL DESCRIPTION

The XC9242/XC9243 series is a group of synchronous-rectification step-down DC/DC converters with a built-in 0.11 (TYP.) P-channel MOS driver transistor and 0.12 (TYP.) N-channel MOS switching transistor, designed to allow the use of ceramic capacitors. The small on-resistances of these two internal driver transistors enable a high efficiency, stable power supply with an output current up to 2A. The XC9242/XC9243 series has operating voltage range of 2.7V~6.0V and a 0.8V ( $\pm 2.0\%$ ) reference voltage, and using externally connected resistors, the output voltage can be set freely from 0.9V. With an internal switching frequency of 1.2MHz or 2.4MHz, small external components can be used.

The XC9242 series is PWM control, and the XC9243 series is PWM/PFM, which automatically switches from PWM to PFM during light loads and provides high efficiency, high load response, low voltage ripple, can be achieved over a wide range of load conditions. The series have a high speed soft-start as fast as 1ms in typical for quick turn-on. It's suitable for large-current application due to limit current is configured 4.0A in typical. During stand-by, all circuits are shutdown to reduce current consumption to as low as 1.0  $\mu$ A or less. The integrated  $C_L$  discharge function which enables the electric charge at the output capacitor  $C_L$  to be discharged via the internal discharge switch located between the  $L_X$  and  $V_{SS}$  pins. Due to  $C_L$  discharge function, malfunction on  $L_X$  is prevented when Stand-by mode. With the built-in UVLO (Under Voltage Lock Out) function, the internal P-channel driver transistor is forced OFF when input voltage becomes 2.5V or lower. The series are available in USP-10B, SOP-8FD packages.

### APPLICATIONS

Smart phones / Mobile phones  
Bluetooth  
Mobile devices / terminals  
Portable game consoles  
Digital still cameras / Camcorders

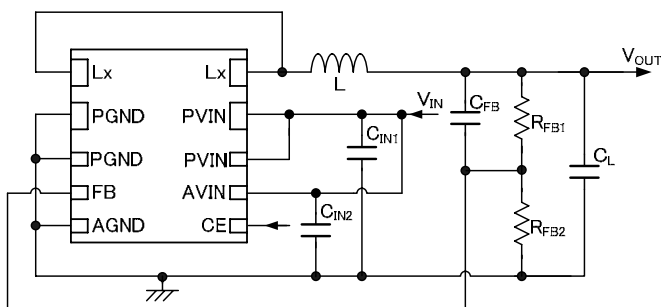
### FEATURES

Driver Transistor	: 0.11 $\Omega$ P-ch Driver Transistor 0.12 $\Omega$ N-ch Switching Transistor
Input Voltage Range	: 2.7V ~ 6.0V
Output Voltage Setting	: 0.9V ~ $V_{IN}$
FB Voltage	: 0.8V $\pm 2.0\%$
High Efficiency	: 95%(TYP.)*
Output Current	: 2.0A
Oscillation Frequency	: 1.2MHz $\pm 15\%$ , 2.4MHz $\pm 15\%$
Maximum Duty Cycle	: 100%
Functions	: Soft-Start Circuit Built-In $C_L$ Discharge Current Limit Circuit (automatic return) Thermal Shutdown UVLO
Output Capacitor	: Low ESR Ceramic Capacitor
Control Methods	: PWM control (XC9242) PWM/PFM Auto (XC9243)
Operating Ambient Temperature	: -40 ~ +85
Packages	: USP-10B, SOP-8FD
Environmentally Friendly	: EU RoHS Compliant, Pb Free

\* Performance depends on external components and wiring on the PCB.

### TYPICAL APPLICATION CIRCUIT

XC9242/XC9243 Series (FB Type)

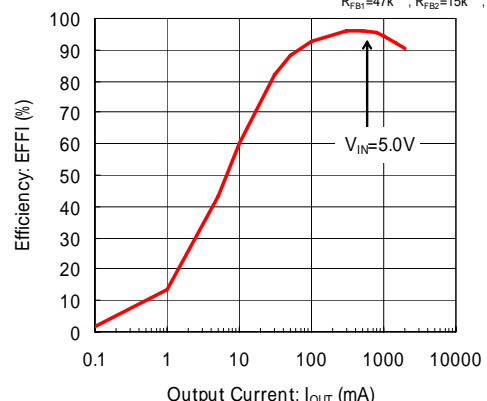


### TYPICAL PERFORMANCE CHARACTERISTICS

Efficiency vs. Output Current (fosc=1.2MHz,  $V_{OUT}=3.3V$ )

#### XC9242B08C

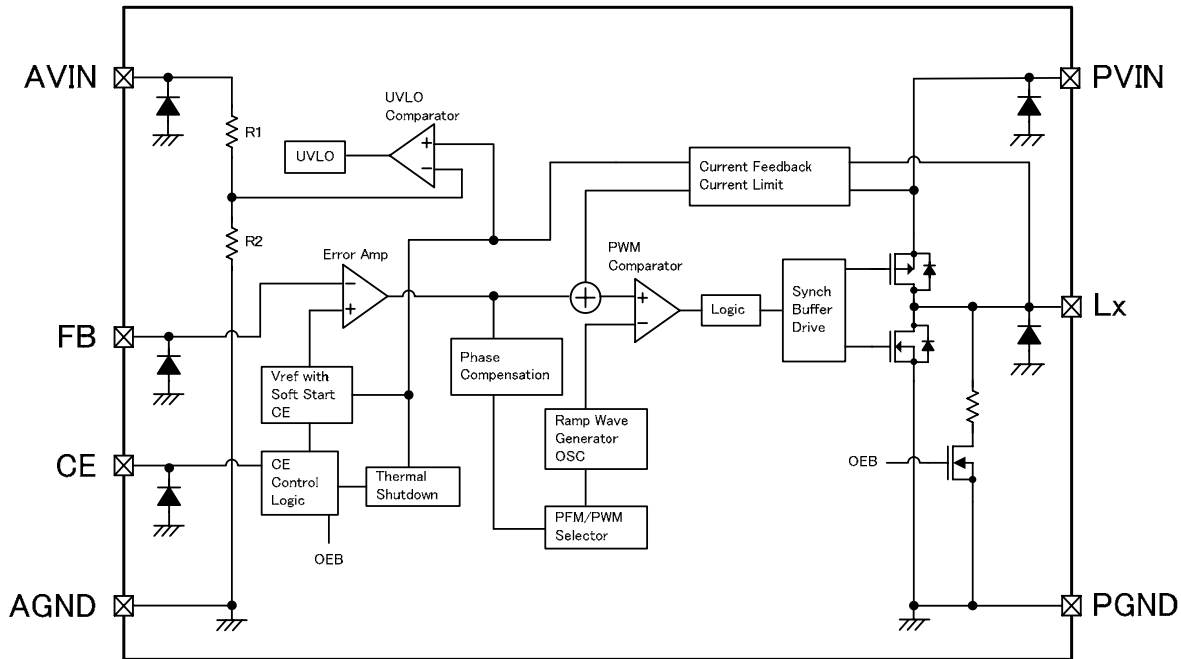
$L=4.7\ \mu H$  (SLF7055),  $C_{IN1}=20\ \mu F$  (LMK212ABJ106KGx2)  
 $C_{IN2}=1\ \mu F$  (LMK107BJ105KAX1),  $C_L=20\ \mu F$  (LMK212ABJ106KGx2)  
 $R_{FB1}=47k$ ,  $R_{FB2}=15k$ ,  $C_F=330pF$



# XC9242/XC9243 Series

## BLOCK DIAGRAM

XC9242/XC9243 Series



\* Diodes inside the circuits are ESD protection diodes and parasitic diodes.

## PRODUCT CLASSIFICATION

### Ordering Information

XC9242	-	<sup>(*)1</sup>	Fixed PWM control
XC9243	-	<sup>(*)1</sup>	PWM / PFM automatic switching control

DESIGNATOR	ITEM	SYMBOL	DESCRIPTION
	Functional Selection	B	C <sub>L</sub> Discharge
	Output Voltage	08	Reference Voltage is fixed at 0.8V
	Oscillation Frequency	C	1.2MHz
		D	2.4MHz
-	<sup>(*)1</sup> Package (Order Unit)	DR-G	USP-10B (3,000/Reel) <sup>(*)2</sup>
		QR-G	SOP-8FD (1,000/Reel)

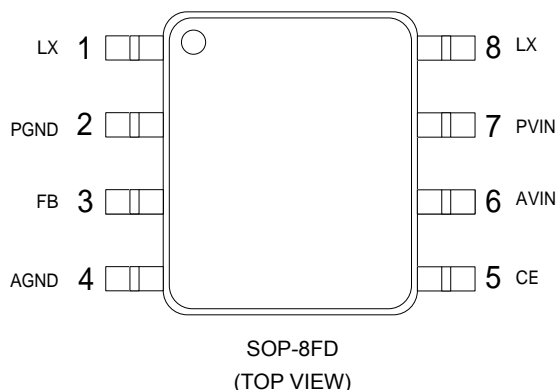
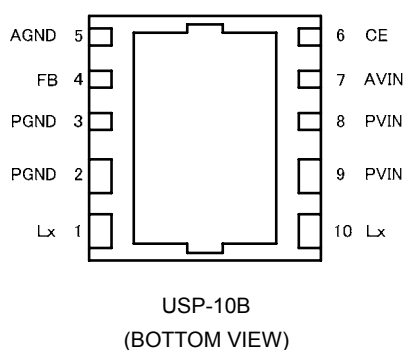
<sup>(\*)1</sup> The "-G" suffix denotes Halogen and Antimony free as well as being fully EU RoHS compliant.

<sup>(\*)2</sup> The USP-10B reels are shipped in a moisture-proof packing.

### Selection Guide

TYPE	SOFT-START TIME	CHIP ENABLE	CURRENT LIMITER	THERMAL SHUTDOWN	UVLO	C <sub>L</sub> AUTO-DISCHARGE
B	Fixed	Yes	Yes	Yes	Yes	Yes

## PIN CONFIGURATION



### USP-10B

- \* Please connect the power input pins (No.8 and No.9) and analog input pin (No.7) when operating.
- \* Please connect the two Lx pins (No.1 and 10).
- \* Please connect the power ground pins (No.2 and 3) and analog ground pin (No.5) when operating.
- \* It is recommended that the heat dissipation pad of the USP-10B package is soldered by using the reference mount pattern and metal mask pattern for mounting strength. The mount pattern should be electrically opened or connected to AGND pin (No.5) and PGND pin (No.2, and 3).

### SOP-8FD

- \* Please connect the power input pin (No.7) and analog input pin (No.6) when operating.
- \* Please connect the two Lx pins (No.1 and 8).
- \* Please connect the two power ground pins (No.2 and 4).
- \* It is recommended that the heat dissipation pad of the SOP-8FD package is soldered by using the reference mount pattern and metal mask pattern for mounting strength. The mount pattern should be electrically opened or connected to AGND pin (No.6) and PGND pin (No.7).

## PIN ASSIGNMENT

PIN NUMBER		PIN NAME	FUNCTIONS
USP-10B	SOP-8FD		
1,10	1,8	Lx	Switching Output
2,3	2	PGND	Power Ground
4	3	FB	Output Voltage Monitor
5	4	AGND	Analog Ground
6	5	CE	Chip Enable
7	6	AVIN	Analog Input
8,9	7	PVIN	Power Input

## CE PIN FUNCTION

PIN NAME	SIGNAL	STATUS
CE	H	Active
	L	Stand-by

- \* Please do not leave the CE pin open.

## ABSOLUTE MAXIMUM RATINGS

Ta=25

PARAMETER		SYMBOL	RATINGS	UNIT
PVIN Pin Voltage		$V_{PVIN}$	-0.3 ~ +7.0 <sup>(*1)</sup>	V
AVIN Pin Voltage		$V_{AVIN}$		
CE Pin Voltage		$V_{CE}$	-0.3 ~ +7.0	V
FB Pin Voltage		$V_{FB}$	-0.3 ~ +7.0	V
Lx Pin Voltage		$V_{Lx}$	-0.3 ~ +7.0 or $V_{PVIN} + 0.3$ <sup>(*2)</sup>	V
Lx Pin Current		$I_{Lx}$	$\pm 6.0$ <sup>(*3)</sup>	A
Power Dissipation	USP-10B	$P_d$	150	mW
	SOP-8FD	$P_d$	300	mW
Operating Ambient Temperature		$T_{opr}$	-40 ~ +85	
Storage Temperature		$T_{stg}$	-55 ~ +125	

All voltages are described based on the ground voltage of AGND and PGND.

(\*1) Please connect PVIN pin and AVIN pin for use.

(\*2) The maximum value should be either +7.0 or  $V_{PVIN} + 0.3$  in the lowest.

(\*3) It is measured when the two Lx pins (USP-10B No.1 and 10, SOP-8FD No.1 and 8) are tied up to each other.

## ELECTRICAL CHARACTERISTICS

XC9242/XC9243,  $f_{OSC}=1.2\text{MHz}$ ,  $T_a=25$

PARAMETER	SYMBOL	CONDITIONS	MIN	TYP.	MAX.	UNIT	CIRCUIT
FB Voltage	$V_{FB}$	$V_{IN}=5.0\text{V}$ , $V_{CE}=5.0\text{V}$ Voltage to start oscillation while $V_{FB}=0.72\text{V} \rightarrow 0.88\text{V}$	0.784	0.800	0.816	V	
Operating Voltage Range	$V_{IN}$	When connected to external components	2.7	-	6.0	V	
Maximum Output Current	$I_{OUTMAX}$	$V_{IN}=V_{CE}=5.0\text{V}$ <sup>(1,2)</sup> When connected to external components	2.0	-	-	A	
UVLO Voltage	$V_{UVLO}$	$V_{CE}=5.0\text{V}$ , $V_{FB}=0.72\text{V}$ Voltage which Lx pin holding "L" level <sup>(3)</sup>	2.00	-	2.68	V	
Quiescent Current	$I_q$	$V_{IN}=V_{CE}=5.0\text{V}$ , $V_{FB}=0.88\text{V}$	-	41	78	$\mu\text{A}$	
Stand-by Current	$I_{STB}$	$V_{IN}=5.0\text{V}$ , $V_{CE}=0\text{V}$ , $V_{FB}=0.88\text{V}$	-	0.01	1.00	$\mu\text{A}$	
Oscillation Frequency	$f_{OSC}$	$V_{IN}=V_{CE}=5.0\text{V}$ , $I_{OUT}=300\text{mA}$ When connected to external components	1020	1200	1380	kHz	
PFM Switch Current <sup>(4)</sup>	$I_{PFM}$	$V_{IN}=V_{CE}=4.0\text{V}$ , $I_{OUT}=1\text{mA}$ When connected to external components	-	280	-	mA	
PFM Duty Limit <sup>(4)</sup>	$DTY_{LIMIT\_PFM}$	$V_{IN}=V_{CE}=2.7\text{V}$ , $I_{OUT}=1\text{mA}$ When connected to external components	-	180	250	%	
Maximum Duty Limit	$D_{MAX}$	$V_{IN}=V_{CE}=5.0\text{V}$ , $V_{FB}=0.72\text{V}$	100	-	-	%	
Minimum Duty Limit	$D_{MIN}$	$V_{IN}=V_{CE}=5.0\text{V}$ , $V_{FB}=0.88\text{V}$	-	-	0	%	
Efficiency	EFFI	$V_{IN}=V_{CE}=5.0\text{V}$ , $I_{OUT}=500\text{mA}$ <sup>(5)</sup> $R_{FB1}=47\text{k}\Omega$ , $R_{FB2}=15\text{k}\Omega$ , $C_{FB}=330\text{pF}$	-	95	-	%	
LXSW"H"ON Resistance	$R_{LxH}$	$V_{IN}=V_{CE}=4.0\text{V}$ , $V_{FB}=0.72\text{V}$ <sup>(6)</sup>	-	0.11	0.21		
LXSW"L"ON Resistance	$R_{LxL}$		-	0.12	0.30 <sup>(7)</sup>		-
LXSW"H" Leakage Current	$I_{LeakH}$	$V_{IN}=5.0\text{V}$ , $V_{CE}=0\text{V}$ , $V_{FB}=0.88\text{V}$ , $V_{Lx}=0\text{V}$	-	0.01	1.00 <sup>(8)</sup>	$\mu\text{A}$	
Current Limit	$I_{LIM}$	$V_{IN}=V_{CE}=5.0\text{V}$ , $V_{FB}=0.72\text{V}$ <sup>(9)</sup>	-	4.0	-	A	
Output Voltage Temperature Characteristics	$\frac{\Delta V_{OUT}}{V_{OUT} \cdot \Delta T_{opr}}$	$I_{OUT}=100\text{mA}$ -40 $T_{opr}$ 85 When connected to external components	-	$\pm 100$	-	ppm/	
CE"H" Voltage	$V_{CEH}$	$V_{IN}=5.0\text{V}$ , $V_{FB}=0.72\text{V}$ Applied voltage to $V_{CE}$ Voltage changes Lx to "H" level	1.2	-	$V_{IN}$	V	
CE"L" Voltage	$V_{CEL}$	$V_{IN}=5.0\text{V}$ , $V_{FB}=0.72\text{V}$ Applied to $V_{CE}$ Voltage changes Lx to "L" level	AGND	-	0.4	V	
CE"H" Current	$I_{CEH}$	$V_{IN}=5.0\text{V}$ , $V_{CE}=5.0\text{V}$ , $V_{FB}=0\text{V}$	-0.1	-	0.1	$\mu\text{A}$	
CE"L" Current	$I_{CEL}$	$V_{IN}=5.0\text{V}$ , $V_{CE}=0\text{V}$ , $V_{FB}=0\text{V}$	-0.1	-	0.1	$\mu\text{A}$	
FB"H" Current	$I_{FBH}$	$V_{IN}=5.0\text{V}$ , $V_{CE}=0\text{V}$ , $V_{FB}=5.0\text{V}$	-0.1	-	0.1	$\mu\text{A}$	
FB"L" Current	$I_{FBL}$	$V_{IN}=5.0\text{V}$ , $V_{CE}=0\text{V}$ , $V_{FB}=0\text{V}$	-0.1	-	0.1	$\mu\text{A}$	
Soft-Start Time	$t_{SS}$	$V_{IN}=5.0\text{V}$ , $V_{CE}=0\text{V} \rightarrow 5.0\text{V}$ , $I_{OUT}=1\text{mA}$ When connected to external components	0.3	1.0	2.0	ms	
Thermal Shutdown Temperature	$T_{TSD}$		-	150	-		-
Hysteresis Width	$T_{HYS}$		-	20	-		-
$C_L$ Discharge	$R_{DCHG}$	$V_{IN}=5.0\text{V}$ , $V_{CE}=0\text{V}$ , $V_{FB}=0.72\text{V}$ , $V_{Lx}=1.0\text{V}$	80	130	160		

NOTE:

External Components:  $C_{IN1}=20\ \mu\text{F}$  (ceramic),  $C_{IN2}=1\ \mu\text{F}$  (ceramic),  $L=4.7\ \mu\text{H}$  (SLF7055T-4R7 TDK),  $C_L=20\ \mu\text{F}$  (ceramic)  
 $R_{FB1}=15\text{k}\Omega$ ,  $R_{FB2}=30\text{k}\Omega$ ,  $C_{FB}=1000\text{pF}$

Condition: Unless otherwise stated, "H"= $V_{IN} - 1.2\text{V}$ , "L"= $+0.1\text{V} \sim -0.1\text{V}$

(\*1) Mount conditions affect heat dissipation. Maximum output current is not guaranteed when  $T_{TSD}$  starts to operate earlier.

(\*2) When the difference between the input and the output is small, some cycles may be skipped completely before current maximizes.

If current is further pulled from this state, output voltage will decrease because of P-ch driver ON resistance.

(\*3) These values include UVLO detect voltage, UVLO release voltage and hysteresis operating voltage range.

UVLO release voltage is defined as the  $V_{IN}$  voltage which makes Lx pin "H".

(\*4) XC9242 series exclude  $I_{PFM}$  and  $DTY_{LIMIT\_PFM}$  because those are only for the PFM control's functions.

(\*5)  $EFFI = \{ (\text{output voltage} \times \text{output current}) / (\text{input voltage} \times \text{input current}) \} \times 100$

(\*6) On resistance =  $(V_{IN} - \text{Lx pin measurement voltage}) / 100\text{mA}$

(\*7) Design value

(\*8) When temperature is high, a current of approximately  $20\ \mu\text{A}$  (maximum) may leak.

(\*9) Current limit denotes the level of detection at peak of coil current.

# XC9242/XC9243 Series

## ELECTRICAL CHARACTERISTICS (Continued)

XC9242/XC9243,  $f_{OSC}=2.4\text{MHz}$ ,  $T_a=25$

PARAMETER	SYMBOL	CONDITIONS	MIN.	TYP.	MAX.	UNIT	CIRCUIT
FB Voltage	$V_{FB}$	$V_{IN}=V_{CE}=5.0\text{V}$ Voltage to start oscillation while $V_{FB}=0.72\text{V}$ 0.88V	0.784	0.800	0.816	V	
Operating Voltage Range	$V_{IN}$	When connected to external components	2.7	-	6.0	V	
Maximum Output Current	$I_{OUTMAX}$	$V_{IN}=V_{CE}=5.0\text{V}$ (*1,*2) When connected to external components	2.0	-	-	A	
UVLO Voltage	$V_{UVLO}$	$V_{CE}=5.0\text{V}$ , $V_{FB}=0.72\text{V}$ Voltage which Lx pin holding "L" level (*3)	2.00	-	2.68	V	
Quiescent Current	$I_q$	$V_{IN}=V_{CE}=5.0\text{V}$ , $V_{FB}=0.88\text{V}$	-	53	92	$\mu\text{A}$	
Stand-by Current	$I_{STB}$	$V_{IN}=5.0\text{V}$ , $V_{CE}=0\text{V}$ , $V_{FB}=0.88\text{V}$	-	0.01	1.00	$\mu\text{A}$	
Oscillation Frequency	$f_{OSC}$	$V_{IN}=V_{CE}=5.0\text{V}$ , $I_{OUT}=1000\text{mA}$ When connected to external components	2040	2400	2760	kHz	
PFM Switch Current (*4)	$I_{PFM}$	$V_{IN}=V_{CE}=6.0\text{V}$ , $I_{OUT}=1\text{mA}$ When connected to external components	-	680	-	mA	
PFM Duty Limit (*4)	$DTY_{LIMIT\_PFM}$	$V_{IN}=V_{CE}=2.7\text{V}$ , $I_{OUT}=1\text{mA}$ When connected to external components	-	180	250	%	
Maximum Duty Limit	$D_{MAX}$	$V_{IN}=V_{CE}=5.0\text{V}$ , $V_{FB}=0.72\text{V}$	100	-	-	%	
Minimum Duty Limit	$D_{MIN}$	$V_{IN}=V_{CE}=5.0\text{V}$ , $V_{FB}=0.88\text{V}$	-	-	0	%	
Efficiency	EFFI	$V_{IN}=V_{CE}=5.0\text{V}$ , $I_{OUT}=500\text{mA}$ (*5) $R_{FB1}=47\text{k}$ , $R_{FB2}=15\text{k}$ , $C_{FB}=330\text{pF}$	-	95	-	%	
LXSW"H"ON Resistance	$R_{LXH}$	$V_{IN}=V_{CE}=4.0\text{V}$ , $V_{FB}=0.72\text{V}$ (*6)	-	0.11	0.21		
LXSW"L"ON Resistance	$R_{LXL}$		-	0.12	0.30 (*7)		-
LXSW"H" Leakage Current	$I_{LeakH}$	$V_{IN}=5.0\text{V}$ , $V_{CE}=0\text{V}$ , $V_{FB}=0.88\text{V}$ , $V_{Lx}=0\text{V}$	-	0.01	1.00 (*8)	$\mu\text{A}$	
Current Limit	$I_{LIM}$	$V_{IN}=V_{CE}=5.0\text{V}$ , $V_{FB}=0.72\text{V}$ (*9)	-	4.0	-	A	
Output Voltage Temperature Characteristics	$V_{OUT}/(V_{OUT} \cdot \text{topr})$	$I_{OUT}=100\text{mA}$ -40 Topr 85 When connected to external components	-	$\pm 100$	-	ppm/	
CE"H" Voltage	$V_{CEH}$	$V_{IN}=5.0\text{V}$ , $V_{FB}=0.72\text{V}$ Applied voltage to $V_{CE}$ Voltage changes Lx to "H" level	1.2	-	$V_{IN}$	V	
CE"L" Voltage	$V_{CEL}$	$V_{IN}=5.0\text{V}$ , $V_{FB}=0.72\text{V}$ Applied voltage to $V_{CE}$ Voltage changes Lx to "L" level	AGND	-	0.4	V	
CE"H" Current	$I_{CEH}$	$V_{IN}=5.0\text{V}$ , $V_{CE}=5.0\text{V}$ , $V_{FB}=0\text{V}$	-0.1	-	0.1	$\mu\text{A}$	
CE"L" Current	$I_{CEL}$	$V_{IN}=5.0\text{V}$ , $V_{CE}=0\text{V}$ , $V_{FB}=0\text{V}$	-0.1	-	0.1	$\mu\text{A}$	
FB"H" Current	$I_{FBH}$	$V_{IN}=5.0\text{V}$ , $V_{CE}=0\text{V}$ , $V_{FB}=5.0\text{V}$	-0.1	-	0.1	$\mu\text{A}$	
FB"L" Current	$I_{FBL}$	$V_{IN}=5.0\text{V}$ , $V_{CE}=0\text{V}$ , $V_{FB}=0\text{V}$	-0.1	-	0.1	$\mu\text{A}$	
Soft-Start Time	$t_{SS}$	$V_{IN}=5.0\text{V}$ , $V_{CE}=0\text{V}$ 5.0V, $I_{OUT}=1\text{mA}$ When connected to external components	0.3	1.0	2.0	ms	
Thermal Shutdown Temperature	$T_{TSD}$		-	150	-		-
Hysteresis Width	$T_{HYS}$		-	20	-		-
$C_L$ Discharge	$R_{DCHG}$	$V_{IN}=5.0\text{V}$ , $V_{CE}=0\text{V}$ , $V_{FB}=0.72\text{V}$ , $V_{Lx}=1.0\text{V}$	80	130	160		

### NOTE:

External Components:  $C_{IN1}=20\mu\text{F}$  (ceramic),  $C_{IN2}=1\mu\text{F}$  (ceramic),  $L=2.2\mu\text{H}$  (SLF7055T-2R2 TDK),  $C_L=20\mu\text{F}$  (ceramic)

$R_{FB1}=15\text{k}\Omega$ ,  $R_{FB2}=30\text{k}\Omega$ ,  $C_{FB}=1000\text{pF}$

Condition: Unless otherwise stated, "H" =  $V_{IN} - V_{IN} - 1.2\text{V}$ , "L" =  $+0.1\text{V} \sim -0.1\text{V}$

(\*1) Mount conditions affect heat dissipation. Maximum output current is not guaranteed when  $T_{TSD}$  starts to operate earlier.

(\*2) When the difference between the input and the output is small, some cycles may be skipped completely before current maximizes.

If current is further pulled from this state, output voltage will decrease because of P-ch driver ON resistance.

(\*3) These values include UVLO detect voltage, UVLO release voltage and hysteresis operating voltage range.

UVLO release voltage is defined as the  $V_{IN}$  voltage which makes Lx pin "H".

(\*4) XC9242 series exclude  $I_{PFM}$  and  $DTY_{LIMIT\_PFM}$  because those are only for the PFM control's functions.

(\*5)  $EFFI = \{ (\text{output voltage} \times \text{output current}) / (\text{input voltage} \times \text{input current}) \} \times 100$

(\*6) On resistance =  $(V_{IN} - Lx \text{ pin measurement voltage}) / 100\text{mA}$

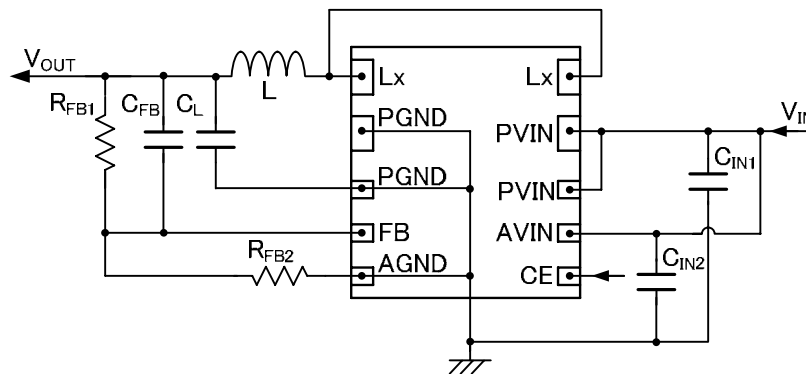
(\*7) Design value

(\*8) When temperature is high, a current of approximately  $20\mu\text{A}$  (maximum) may leak.

(\*9) Current limit denotes the level of detection at peak of coil current.

## TYPICAL APPLICATION CIRCUIT

XC9242/XC9243 Series



### External Components

	1.2MHz		2.4MHz
L:	4.7 $\mu$ H (SLF7055T-4R7)	L:	2.2 $\mu$ H (SLF7055T-2R2)
	4.7 $\mu$ H (SPM6530T-4R7)		2.2 $\mu$ H (SPM6530T-2R2)
C <sub>IN1</sub> :	20 $\mu$ F (LMK212ABJ106KG 10V/10 $\mu$ F x2)	C <sub>IN1</sub> :	20 $\mu$ F (LMK212ABJ106KG 10V/10 $\mu$ F x2)
C <sub>IN2</sub> :	1 $\mu$ F (LMK107BJ105KA 10V/1 $\mu$ F x1)	C <sub>IN2</sub> :	1 $\mu$ F (LMK107BJ105KA 10V/1 $\mu$ F x1)
C <sub>L</sub> :	20 $\mu$ F (LMK212ABJ106KG 10V/10 $\mu$ F x2)	C <sub>L</sub> :	20 $\mu$ F (LMK212ABJ106KG 10V/10 $\mu$ F x2)

### <Output Voltage Setting>

Output voltage can be set by adding external split resistors. Output voltage is determined by the following equation, based on the values of R<sub>FB1</sub> and R<sub>FB2</sub>. The sum of R<sub>FB1</sub> and R<sub>FB2</sub> should normally be 100k $\Omega$  or less. Output voltage range is 0.9V~5.5V by a 0.8V ( $\pm 2.0\%$ ) reference voltage. When input voltage ( $V_{IN}$ ) setting output voltage, output voltage ( $V_{OUT}$ ) can not output the power more than input voltage ( $V_{IN}$ ).

$$V_{OUT} = 0.8 \times (R_{FB1} + R_{FB2}) / R_{FB2}$$

The value of C<sub>FB</sub>, speed-up capacitor for phase compensation, should be  $f_{zFB} = 1 / (2 \times \pi \times C_{FB} \times R_{FB1})$  which is equal to 10kHz. Adjustments are required from 1kHz to 10kHz depending on the application, value of inductance (L), and value of load capacitance (C<sub>L</sub>).

### [Example of calculation]

When R<sub>FB1</sub>=47k $\Omega$ , R<sub>FB2</sub>=15k $\Omega$ ,  $V_{OUT} = 0.8 \times (47k\Omega + 15k\Omega) / 15k\Omega = 3.3V$

When C<sub>FB</sub>=330pF,  $f_{zfb} = 1 / (2 \times \pi \times 330pF \times 47k\Omega) = 10.26kHz$

V <sub>OUT</sub> (V)	R <sub>FB1</sub> (k $\Omega$ )	R <sub>FB2</sub> (k $\Omega$ )	C <sub>FB</sub> (pF)	V <sub>OUT</sub> (V)	R <sub>FB1</sub> (k $\Omega$ )	R <sub>FB2</sub> (k $\Omega$ )	C <sub>FB</sub> (pF)
1.0	7.5	30	2000	2.5	51	24	300
1.2	15	30	1000	3.0	33	12	470
1.5	26	30	560	3.3	47	15	330
1.8	30	24	510	5.0	43	8.2	390

## OPERATIONAL DESCRIPTION

The XC9242/XC9243 series consists of a reference voltage source, ramp wave circuit, error amplifier, PWM comparator, phase compensation circuit, output voltage adjustment resistors, P-channel MOS driver transistor, N-channel MOS switching transistor for the synchronous switch, current limiter circuit, UVLO circuit and others. (See the block diagram above.) The series ICs compare, using the error amplifier, the voltage of the internal voltage reference source with the feedback voltage from the FB pin. Phase compensation is performed on the resulting error amplifier output, to input a signal to the PWM comparator to determine the turn-on time during PWM operation. The PWM comparator compares, in terms of voltage level, the signal from the error amplifier with the ramp wave from the ramp wave circuit, and delivers the resulting output to the buffer driver circuit to cause the Lx pin to output a switching duty cycle. This process is continuously performed to ensure stable output voltage. The current feedback circuit monitors the P-channel MOS driver transistor current for each switching operation, and modulates the error amplifier output signal to provide multiple feedback signals. This enables a stable feedback loop even when a low ESR capacitor such as a ceramic capacitor is used ensuring stable output voltage.

### <Reference Voltage Source>

The reference voltage source provides the reference voltage to ensure stable output voltage of the DC/DC converter.

### <Ramp Wave Circuit>

The ramp wave circuit determines switching frequency. The frequency is fixed internally and can be selected from 1.2MHz or 2.4MHz. Clock pulses generated in this circuit are used to produce ramp waveforms needed for PWM operation, and to synchronize all the internal circuits.

### <Error Amplifier>

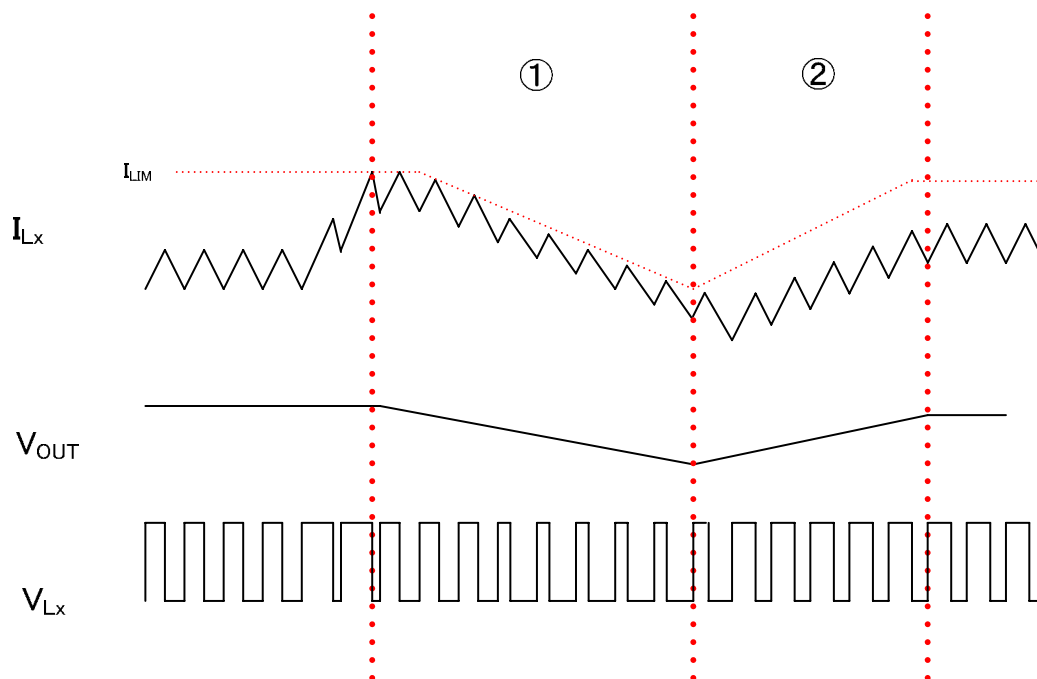
The error amplifier is designed to monitor output voltage. The amplifier compares the reference voltage with the feedback voltage divided by the external split resistors, R1 and R2. When a voltage lower than the reference voltage is fed back, the output voltage of the error amplifier increases. The gain and frequency characteristics of the error amplifier output are fixed internally to deliver an optimized signal to the mixer.

### <Current Limit>

The XC9242/XC0243 series includes a fold-back circuit, which aids the operation of the current limiter and circuit protection. The XC9242/XC9243 series monitors the current flowing through the P-channel MOS driver transistor

When current flowing through P-channel MOS driver transistor reaches current limit  $I_{LM}$ , the current limiter circuit operates to limit the inductor current  $I_{Lx}$ . If this state continues, the fold-back circuit operates and limit the output current in order to protect the IC from damage.

The output voltage is automatically resumed if the load goes light. When it is resumed, the soft-start function operates.





## OPERATIONAL DESCRIPTION (Continued)

### <Thermal Shutdown>

For protection against heat damage, the thermal shutdown function monitors chip temperature. When the chip's temperature reaches 150°C (TYP.), the thermal shutdown circuit starts operating and the P-channel driver transistor will be turned off. At the same time, the output voltage decreases. When the temperature drops to 130°C (TYP.) after shutting off the current flow, the IC performs the soft start function to initiate output startup operation.

### <Function of CE pin >

The XC9242/XC9243 series will enter into stand-by mode by inputting a low level signal to the CE pin. During a stand-by mode, the current consumption of the IC becomes 0 μA (TYP.). The IC starts its operation by inputting a high level signal to the CE pin. The input of the CE pin is a CMOS input and the sink current is 0 μA (TYP.).

### <UVLO>

When the VIN pin voltage becomes 2.4V (TYP.) or lower, the P-channel MOS driver transistor output driver transistor is forced OFF to prevent false pulse output caused by unstable operation of the internal circuitry. When the VIN pin voltage becomes 2.68V (MAX.) or higher, switching operation takes place. By releasing the UVLO function, the IC performs the soft start function to initiate output startup operation. The soft start function operates even when the VIN pin voltage falls momentarily below the UVLO operating voltage. The UVLO circuit does not cause a complete shutdown of the IC, but causes pulse output to be suspended; therefore, the internal circuitry remains in operation.

### <Soft Start>

The XC9242/XC9243 series provide 1.0ms (TYP). Soft start time is defined as the time interval to reach 90% of the output voltage from the time when the V<sub>CE</sub> is turned on.

### <C<sub>L</sub> High Speed Discharge>

The XC9242/XC9243 series can quickly discharge the electric charge at the output capacitor (C<sub>L</sub>) when a low signal to the CE pin which enables a whole IC circuit put into OFF state, is inputted via the N-channel MOS switch transistor located between the L<sub>X</sub> pin and the V<sub>GND</sub> pin. When the IC is disabled, electric charge at the output capacitor (C<sub>L</sub>) is quickly discharged so that it may avoid application malfunction. Discharge time of the output capacitor (C<sub>L</sub>) is set by the C<sub>L</sub> auto-discharge resistance (R) and the output capacitor (C<sub>L</sub>). By setting time constant of a C<sub>L</sub> auto-discharge resistance value [R] and an output capacitor value (C<sub>L</sub>) as (τ = C × R), discharge time of the output voltage after discharge via the N-channel transistor is calculated by the following formulas.

$$V = V_{OUT(E)} \times e^{-t/\tau} \quad \text{or} \quad t = -\ln(V/V_{OUT(E)}) \times \tau$$

V : Output voltage after discharge

V<sub>OUT(E)</sub> : Output voltage

t : Discharge time

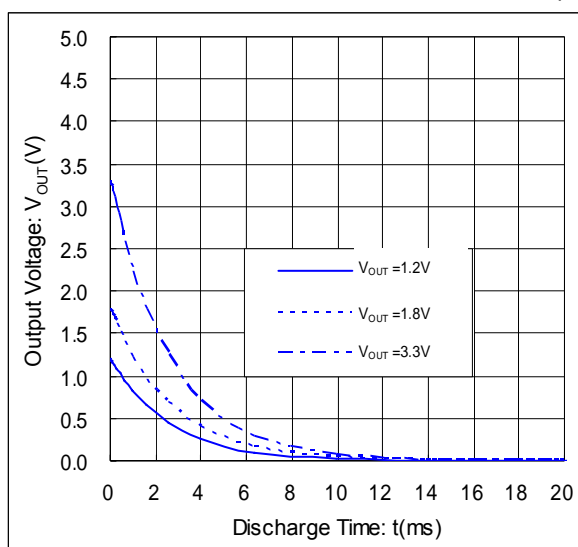
τ : C<sub>L</sub> × R<sub>DCHG</sub>

C<sub>L</sub> : Capacitance of Output capacitor

R<sub>DCHG</sub> : C<sub>L</sub> auto-discharge resistance

### Output Voltage Discharge characteristics

R<sub>DCHG</sub> = 130Ω(TYP.) C<sub>L</sub> = 20 μF



## OPERATIONAL DESCRIPTION (Continued)

<PFM Switch Current> <sup>(\*)</sup>

In PFM control operation, until coil current reaches to a specified level ( $I_{PFM}$ ), the IC keeps the P-channel MOS driver transistor on. In this case, time that the P-channel MOS driver transistor is kept on ( $t_{ON}$ ) can be given by the following formula. Please refer to  $I_{PFM}$

$$t_{ON} = L \times I_{PFM} / (V_{IN} - V_{OUT})$$

< PFM Duty Limit > <sup>(\*)</sup>

In PFM control operation, the PFM duty limit ( $DTY_{LIMIT\_PFM}$ ) is set to 200% (TYP.). Therefore, under the condition that the duty increases (e.g. the condition that the step-down ratio is small), it's possible for P-channel MOS driver transistor to be turned off even when coil current doesn't reach to  $I_{PFM}$ . Please refer to  $I_{PFM}$

<sup>(\*)</sup> XC9242 Series is excluded.

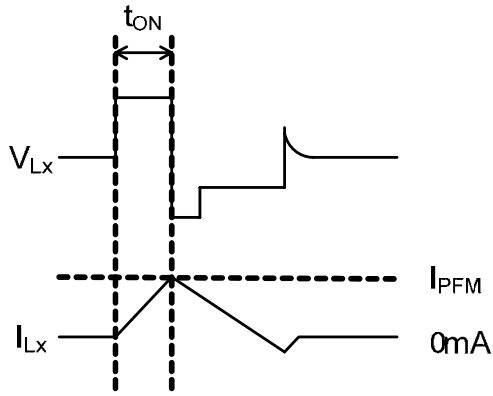


Fig.  $I_{PFM}$  ①

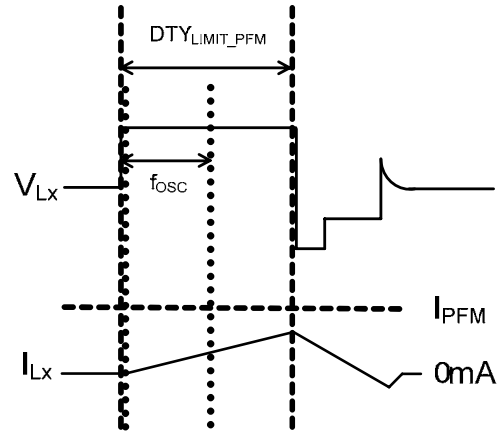


Fig.  $I_{PFM}$  ②

## NOTE ON USE

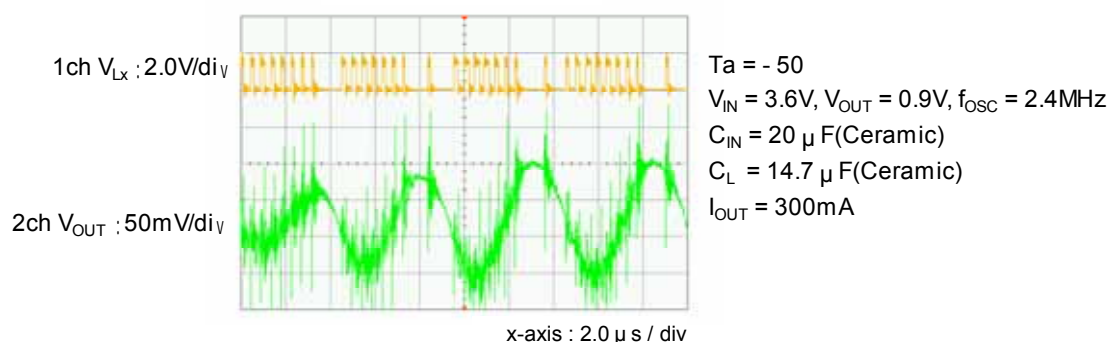
1. Please use this IC within the stated maximum ratings. For temporary, transitional voltage drop or voltage rising phenomenon, the IC is liable to malfunction should the ratings be exceeded.
2. Where wiring impedance is high, operations may become unstable due to noise and/or phase lag depending on output current. Please wire the input capacitor ( $C_{IN}$ ) and the output capacitor ( $C_L$ ) as close to the IC as possible.
3. When the difference between  $V_{IN}$  and  $V_{OUT}$  is large in PWM control, very narrow pulses will be outputted, and there is the possibility that some cycles may be skipped completely.
4. When the difference between  $V_{IN}$  and  $V_{OUT}$  is small, and the load current is heavy, very wide pulses will be outputted and there is the possibility that some cycles may be skipped completely.
5. With the IC, the peak current of the coil is controlled by the current limit circuit. Since the peak current increases when dropout voltage or load current is high, current limit starts operation, and this can lead to instability. When peak current becomes high, please adjust the coil inductance value and fully check the circuit operation. In addition, please calculate the peak current according to the following formula:

$$I_{pk} = (V_{IN} - V_{OUT}) \times \text{OnDuty} / (2 \times L \times f_{OSC}) + I_{OUT}$$

L : Coil Inductance Value

$f_{OSC}$ : Oscillation Frequency

6. Use of the IC at voltages below the recommended voltage range may lead to instability.
7. This IC should be used within the stated absolute maximum ratings in order to prevent damage to the device.
8. When the IC is used in high temperature, output voltage may increase up to input voltage level at no load because of the leak current of the P-channel driver transistor.
9. The XC9242/XC9243 uses fold-back circuit limiter. However, fold-back may become "droop" affected by the wiring conditions. Care must be taken especially for  $C_{IN}$  distance and position.
10. If  $C_L$  capacitance reduction happens such as in the case of low temperature, the IC may enter unstable operation. Care must be taken for  $C_L$  capacitor selection and its capacitance value.



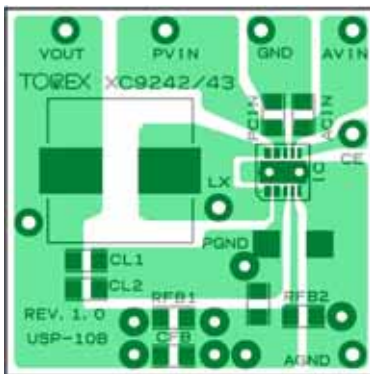
11. Torex places an importance on improving our products and its reliability. However, by any possibility, we would request user fail-safe design and post-aging treatment on system or equipment.

## NOTE ON USE (Continued)

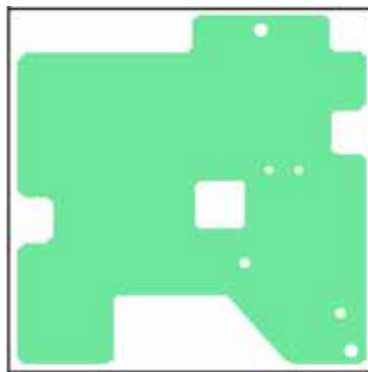
### Instructions of pattern layouts

1. In order to stabilize  $V_{IN}$  voltage level, we recommend that a by-pass capacitor ( $C_{IN}$ ) be connected as close as possible to the PVIN & PGND pins and the AVIN & AGND pins.
2. Make sure to avoid noise from the PVIN pin to the AVIN pin. Please connect the AGND pin and PGND pin in the shortest length for wiring.
3. Please mount each external component as close to the IC as possible.
4. Wire external components as close to the IC as possible and use thick, short connecting traces to reduce the circuit impedance.
5. This series' internal driver transistors bring on heat because of the output current and ON resistance of P-channel and N-channel MOS driver transistors.
6. Make sure that the PCB GND traces are as thick as possible, as variations in ground potential caused by high ground currents at the time of switching may result in instability of the IC.

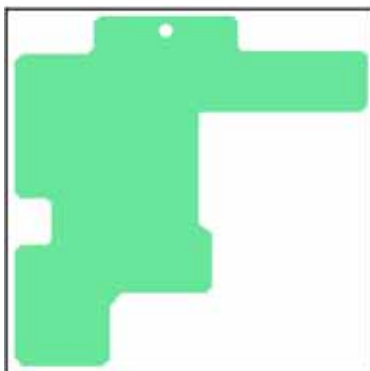
1<sup>st</sup> Layer(USP-10B)



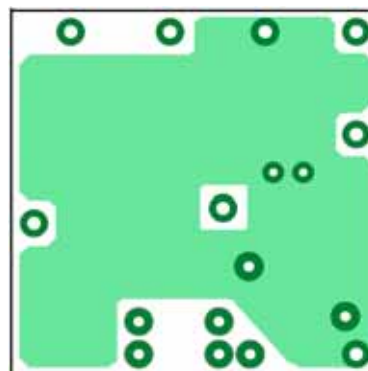
2<sup>nd</sup> Layer(USP-10B)



3<sup>rd</sup> Layer(USP-10B)

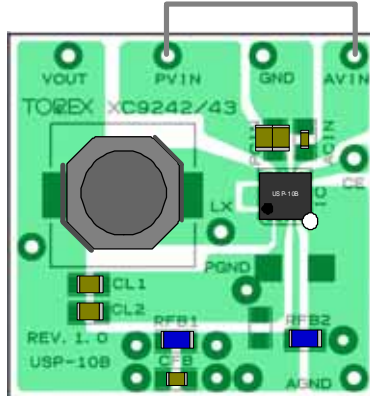


4<sup>th</sup> Layer(USP-10B)



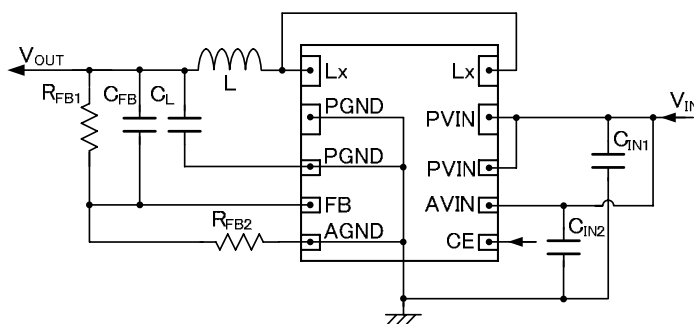
PCB (USP-10B)

1) XC9242/XC9243 Series



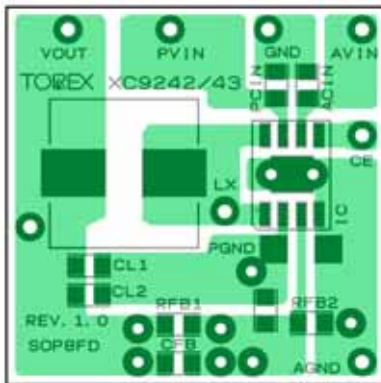
Typical Application Circuit (USP-10B)

1) XC9242/XC9243 Series

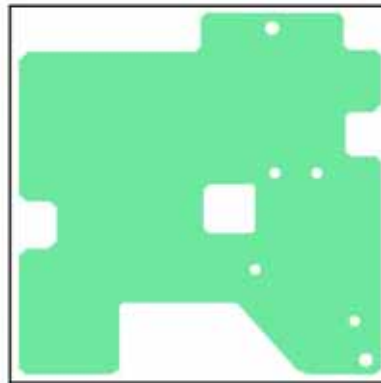


## NOTE ON USE (Continued)

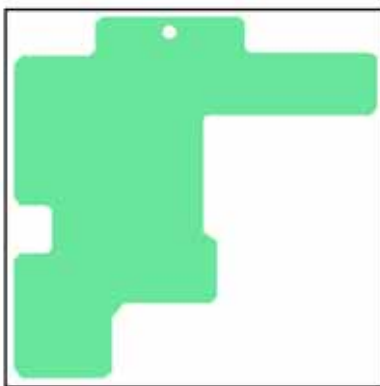
1<sup>st</sup> Layer(SOP-8FD)



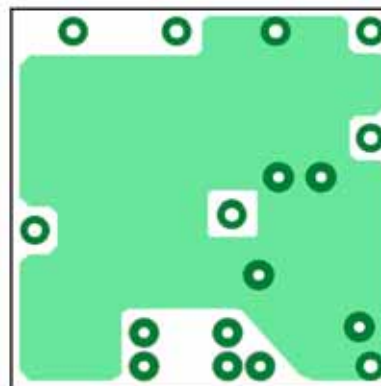
2<sup>nd</sup> Layer(SOP-8FD)



3<sup>rd</sup> Layer(SOP-8FD)

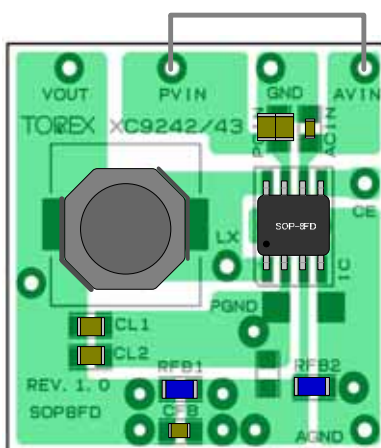


4<sup>th</sup> Layer(SOP-8FD)



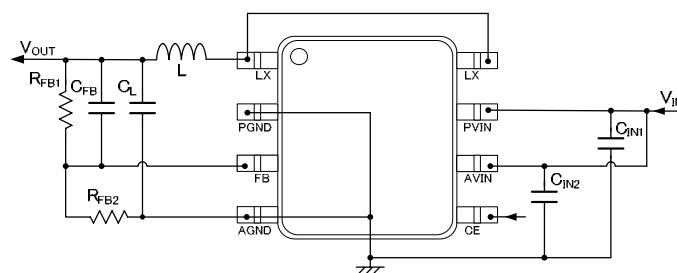
### PCB ( SOP8-FD)

1) XC9242/XC9243 Series



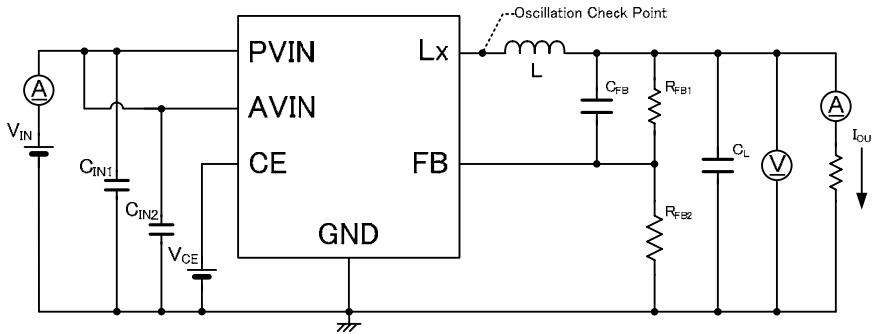
### Typical Application Circuit ( SOP8-FD)

1) XC9242/XC9243 Series



## TEST CIRCUITS

### 1) CIRCUIT ①

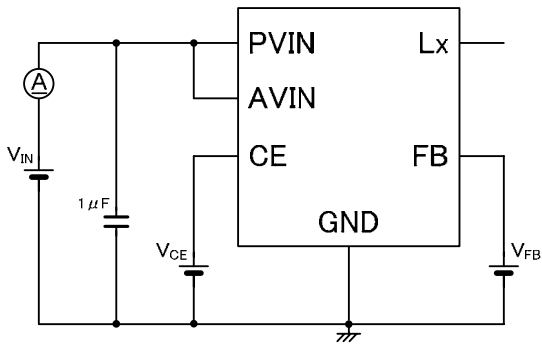


※External components  
 $C_{IN1}$  : 20  $\mu$ F (ceramic)  
 $C_{IN2}$  : 1  $\mu$ F (ceramic)  
 $C_L$  : 20  $\mu$ F (ceramic)  
 $R_{FB1}$  : 15k $\Omega$   
 $R_{FB2}$  : 30k $\Omega$   
 $C_{FB}$  : 1000pF

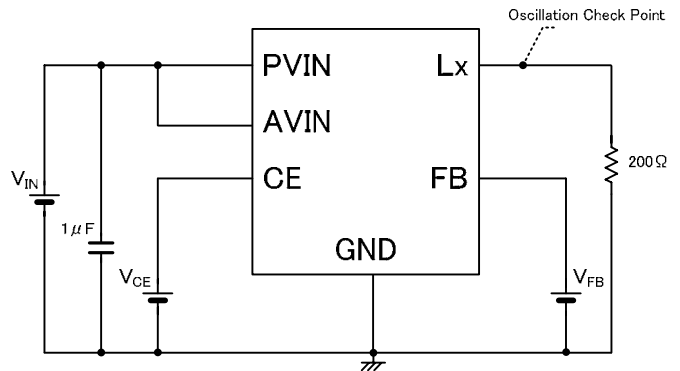
(\*)XC924xB08C TYPE  
 $L$  : 4.7  $\mu$ H (SLF7055T-4R7 : TDK)  
 XC924xB08D TYPE  
 $L$  : 2.2  $\mu$ H (SLF7055T-2R2 : TDK)

※The condition to measure EFFI  
 $R_{FB1}$  : 47k $\Omega$   
 $R_{FB2}$  : 15k $\Omega$   
 $C_{FB}$  : 330pF

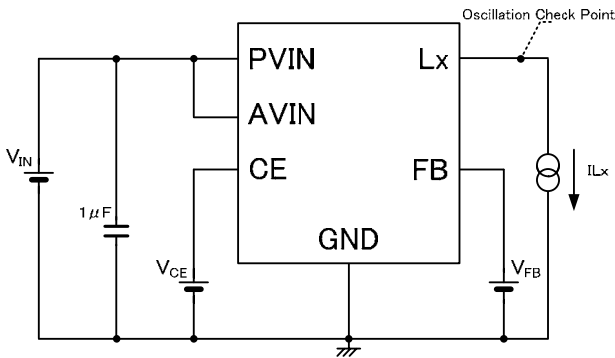
### 2) CIRCUIT ②



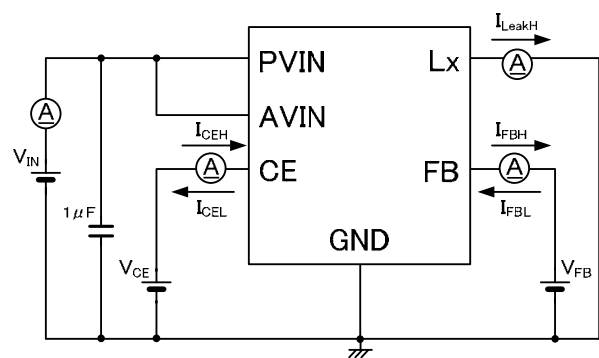
### 3) CIRCUIT ③



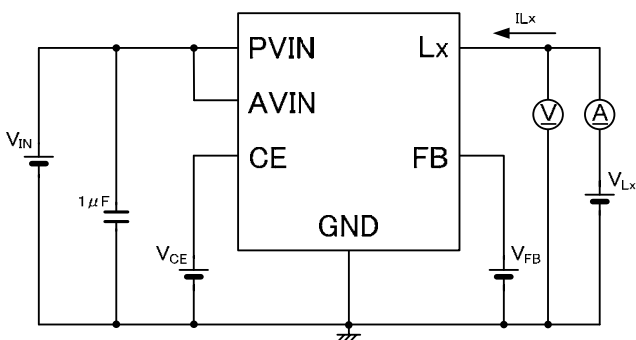
### 4) CIRCUIT ④



### 5) CIRCUIT ⑤



### 6) CIRCUIT ⑥

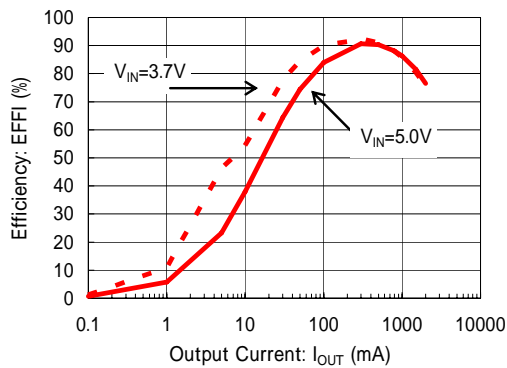


# TYPICAL PERFORMANCE CHARACTERISTICS

## (1) Efficiency vs. Output Current

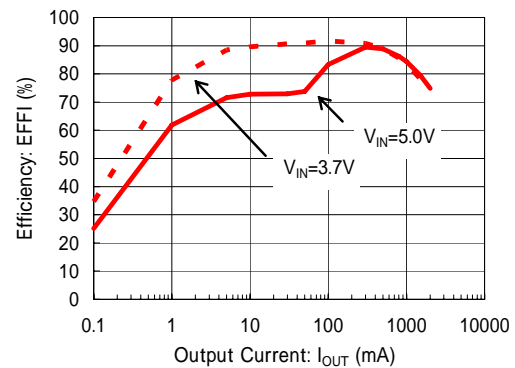
**XC9242B08C ( $V_{OUT}=1.2V$ )**

$L=4.7\ \mu H$  (SLF7055),  $C_{IN}=20\ \mu F$  (LMK212ABJ106KGx2)  
 $C_{IN}=1\ \mu F$  (LMK107BJ105KAx1),  $C_L=20\ \mu F$  (LMK212ABJ106KGx2)  
 $R_{FB1}=15k$ ,  $R_{FB2}=30k$ ,  $C_{FB}=1000pF$



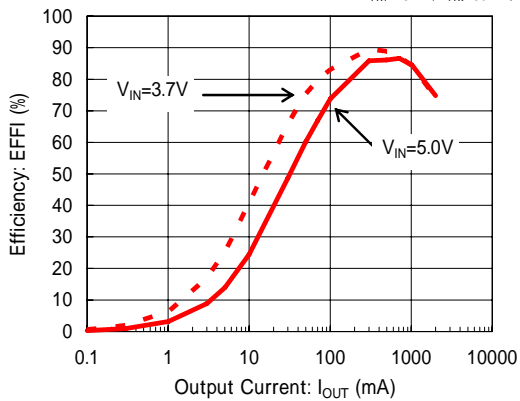
**XC9243B08C ( $V_{OUT}=1.2V$ )**

$L=4.7\ \mu H$  (SLF7055),  $C_{IN}=20\ \mu F$  (LMK212ABJ106KGx2)  
 $C_{IN}=1\ \mu F$  (LMK107BJ105KAx1),  $C_L=20\ \mu F$  (LMK212ABJ106KGx2)  
 $R_{FB1}=15k$ ,  $R_{FB2}=30k$ ,  $C_{FB}=1000pF$



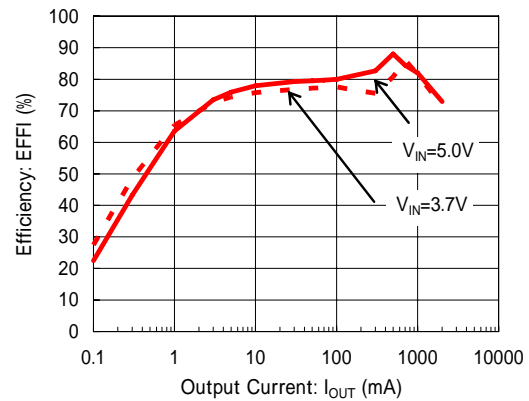
**XC9242B08D ( $V_{OUT}=1.2V$ )**

$L=2.2\ \mu H$  (SLF7055),  $C_{IN}=20\ \mu F$  (LMK212ABJ106KGx2)  
 $C_{IN}=1\ \mu F$  (LMK107BJ105KAx1),  $C_L=20\ \mu F$  (LMK212ABJ106KGx2)  
 $R_{FB1}=15k$ ,  $R_{FB2}=30k$ ,  $C_{FB}=1000pF$



**XC9243B08D ( $V_{OUT}=1.2V$ )**

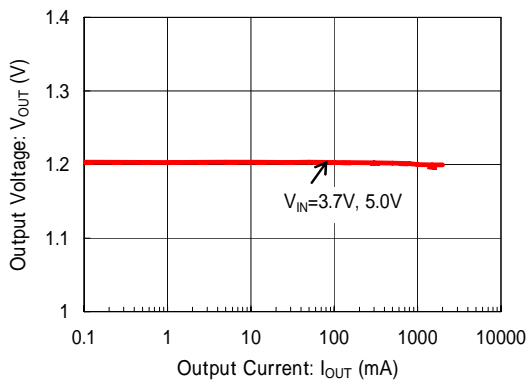
$L=2.2\ \mu H$  (SLF7055),  $C_{IN}=20\ \mu F$  (LMK212ABJ106KGx2)  
 $C_{IN}=1\ \mu F$  (LMK107BJ105KAx1),  $C_L=20\ \mu F$  (LMK212ABJ106KGx2)  
 $R_{FB1}=15k$ ,  $R_{FB2}=30k$ ,  $C_{FB}=1000pF$



## (2) Output Voltage vs. Output Current

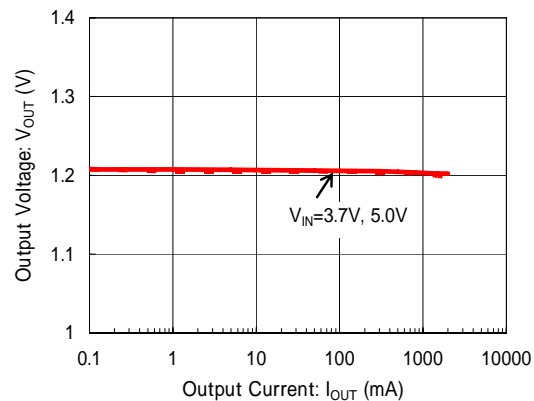
**XC9242B08C ( $V_{OUT}=1.2V$ )**

$L=4.7\ \mu H$  (SLF7055),  $C_{IN}=20\ \mu F$  (LMK212ABJ106KGx2)  
 $C_{IN}=1\ \mu F$  (LMK107BJ105KAx1),  $C_L=20\ \mu F$  (LMK212ABJ106KGx2)  
 $R_{FB1}=15k$ ,  $R_{FB2}=30k$ ,  $C_{FB}=1000pF$



**XC9243B08C ( $V_{OUT}=1.2V$ )**

$L=4.7\ \mu H$  (SLF7055),  $C_{IN}=20\ \mu F$  (LMK212ABJ106KGx2)  
 $C_{IN}=1\ \mu F$  (LMK107BJ105KAx1),  $C_L=20\ \mu F$  (LMK212ABJ106KGx2)  
 $R_{FB1}=15k$ ,  $R_{FB2}=30k$ ,  $C_{FB}=1000pF$



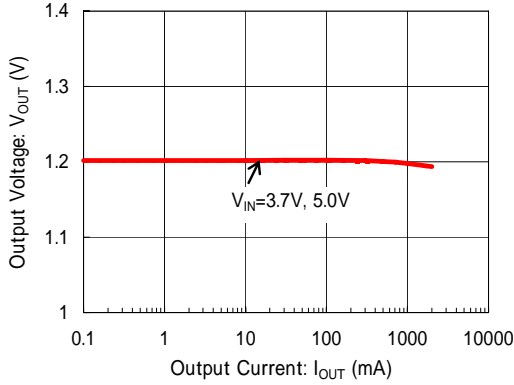
# XC9242/XC9243 Series

## TYPICAL PERFORMANCE CHARACTERISTICS (Continued)

### (2) Output Voltage vs. Output Current

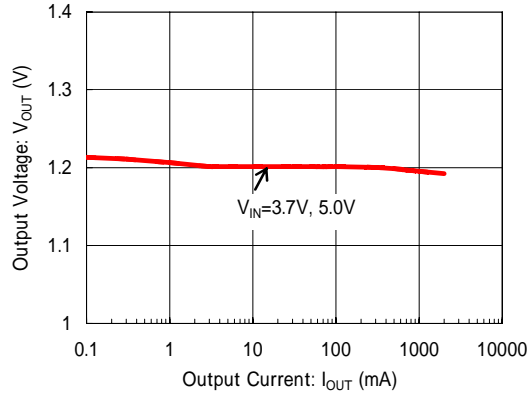
**XC9242B08D ( $V_{OUT}=1.2V$ )**

$L=2.2\ \mu H$  (SLF7055),  $C_{IN}=20\ \mu F$  (LMK212ABJ106KGx2)  
 $C_{IN}=1\ \mu F$  (LMK107BJ105KAx1),  $C_L=20\ \mu F$  (LMK212ABJ106KGx2)  
 $R_{FB1}=15k$ ,  $R_{FB2}=30k$ ,  $C_{FB}=1000pF$



**XC9243B08D ( $V_{OUT}=1.2V$ )**

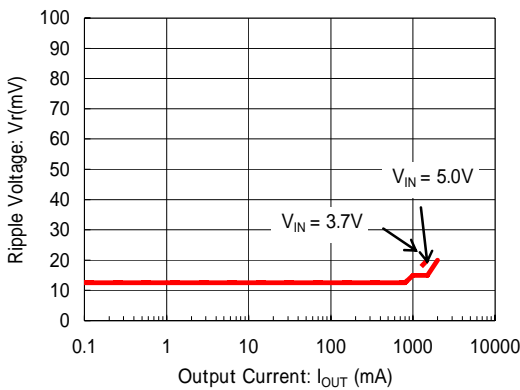
$L=2.2\ \mu H$  (SLF7055),  $C_{IN}=20\ \mu F$  (LMK212ABJ106KGx2)  
 $C_{IN}=1\ \mu F$  (LMK107BJ105KAx1),  $C_L=20\ \mu F$  (LMK212ABJ106KGx2)  
 $R_{FB1}=15k$ ,  $R_{FB2}=30k$ ,  $C_{FB}=1000pF$



### (3) Ripple Voltage vs. Output Current

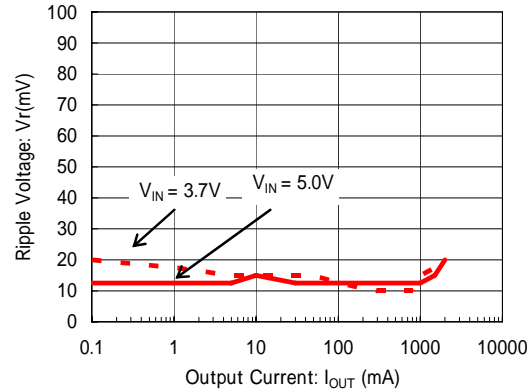
**XC9242B08C ( $V_{OUT}=1.2V$ )**

$L=4.7\ \mu H$  (SLF7055),  $C_{IN}=20\ \mu F$  (LMK212ABJ106KGx2)  
 $C_{IN}=1\ \mu F$  (LMK107BJ105KAx1),  $C_L=20\ \mu F$  (LMK212ABJ106KGx2)  
 $R_{FB1}=15k$ ,  $R_{FB2}=30k$ ,  $C_{FB}=1000pF$



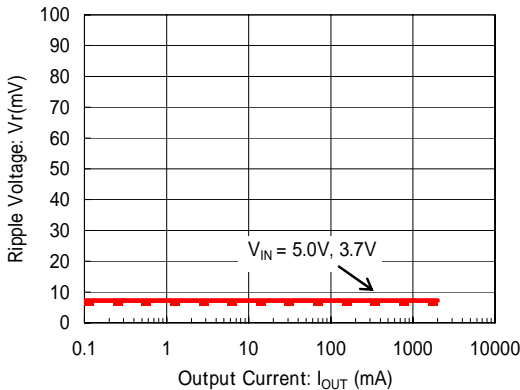
**XC9243B08C ( $V_{OUT}=1.2V$ )**

$L=4.7\ \mu H$  (SLF7055),  $C_{IN}=20\ \mu F$  (LMK212ABJ106KGx2)  
 $C_{IN}=1\ \mu F$  (LMK107BJ105KAx1),  $C_L=20\ \mu F$  (LMK212ABJ106KGx2)  
 $R_{FB1}=15k$ ,  $R_{FB2}=30k$ ,  $C_{FB}=1000pF$



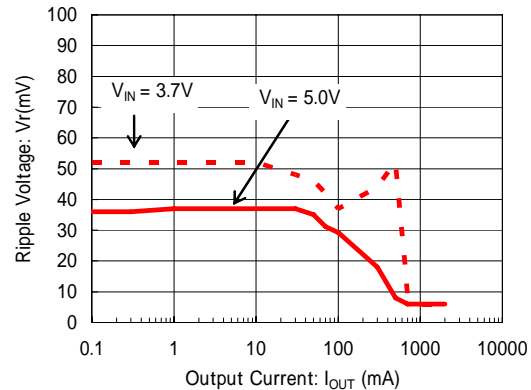
**XC9242B08D ( $V_{OUT}=1.2V$ )**

$L=2.2\ \mu H$  (SLF7055),  $C_{IN}=20\ \mu F$  (LMK212ABJ106KGx2)  
 $C_{IN}=1\ \mu F$  (LMK107BJ105KAx1),  $C_L=20\ \mu F$  (LMK212ABJ106KGx2)  
 $R_{FB1}=15k$ ,  $R_{FB2}=30k$ ,  $C_{FB}=1000pF$



**XC9243B08D ( $V_{OUT}=1.2V$ )**

$L=2.2\ \mu H$  (SLF7055),  $C_{IN}=20\ \mu F$  (LMK212ABJ106KGx2)  
 $C_{IN}=1\ \mu F$  (LMK107BJ105KAx1),  $C_L=20\ \mu F$  (LMK212ABJ106KGx2)  
 $R_{FB1}=15k$ ,  $R_{FB2}=30k$ ,  $C_{FB}=1000pF$

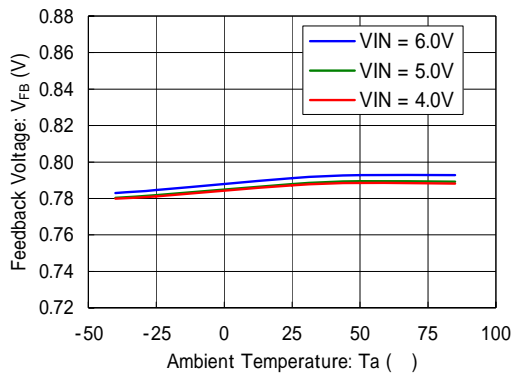




## TYPICAL PERFORMANCE CHARACTERISTICS (Continued)

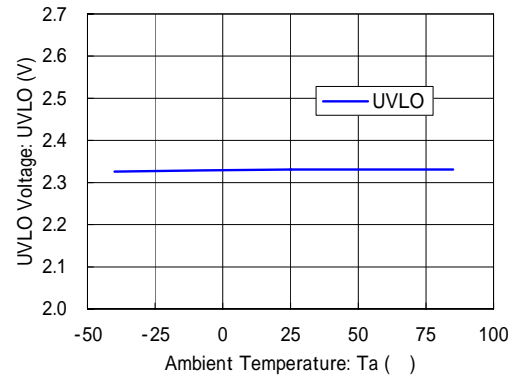
(4) FB Voltage vs. Ambient Temperature

XC9242B08C



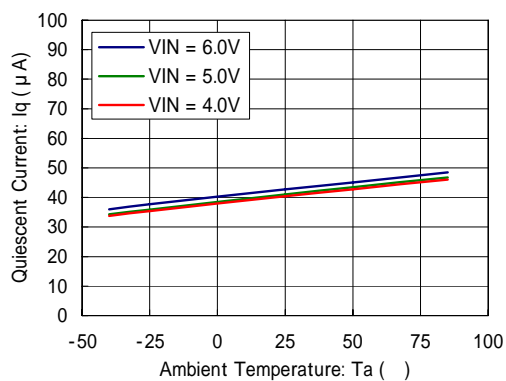
(5) UVLO Voltage vs. Ambient Temperature

XC9242B08C

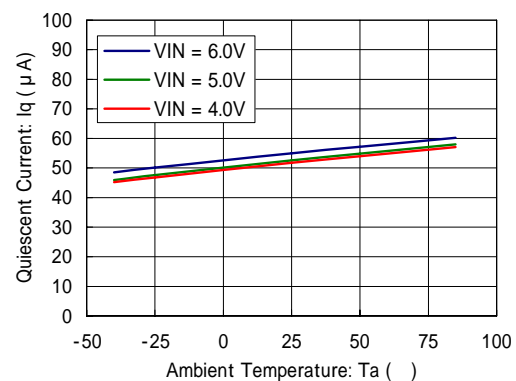


(6) Quiescent Current vs. Ambient Temperature

XC9242B08C

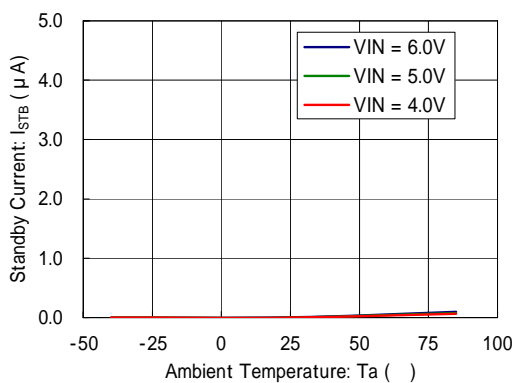


XC9242B08D

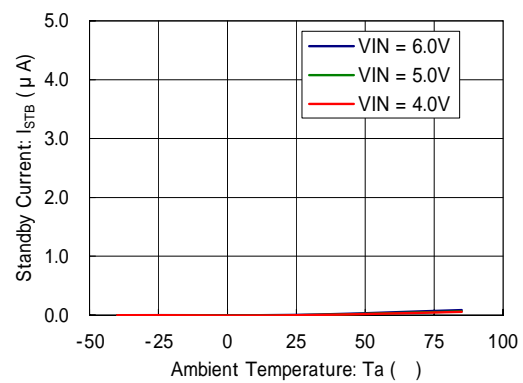


(7) Stand-by Current vs. Ambient Temperature

XC9242B08C



XC9242B08D

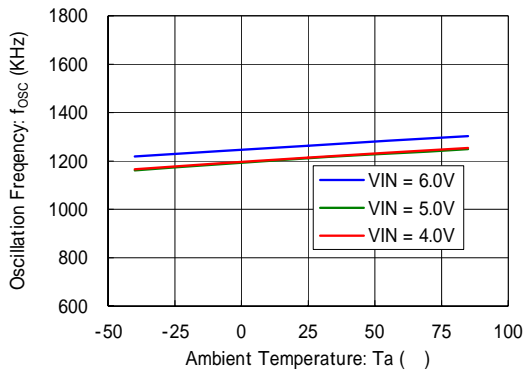


# XC9242/XC9243 Series

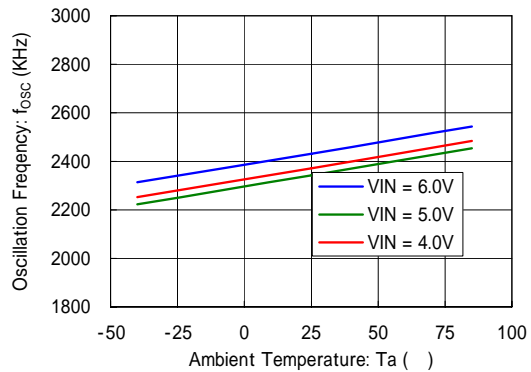
## TYPICAL PERFORMANCE CHARACTERISTICS (Continued)

(8) Oscillation Frequency vs. Ambient Temperature

XC9242B08C

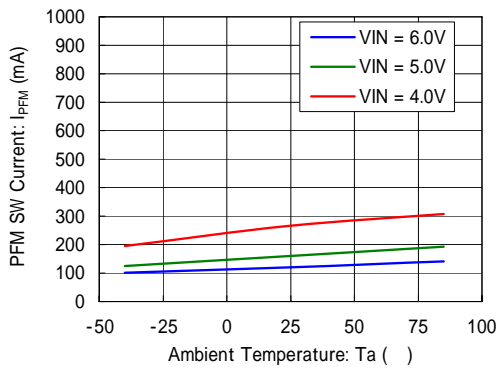


XC9242B08D

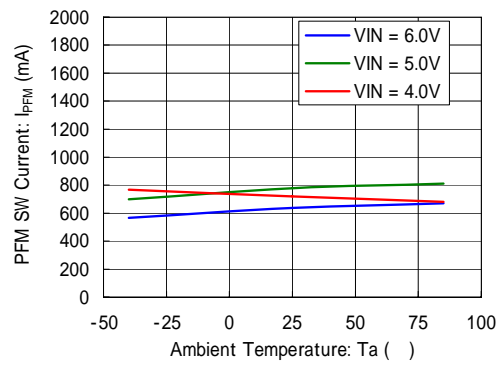


(9) PFM Switching Current vs. Ambient Temperature

XC9243B08C

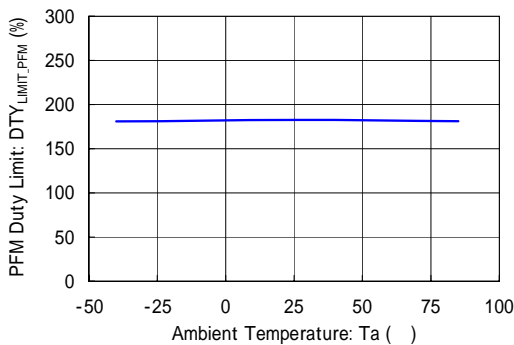


XC9243B08D

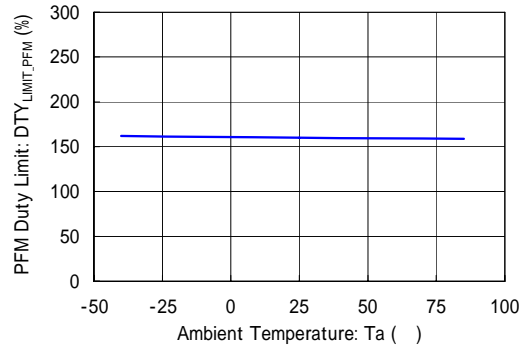


(10) PFM Duty Limit vs. Ambient Temperature

XC9243B08C



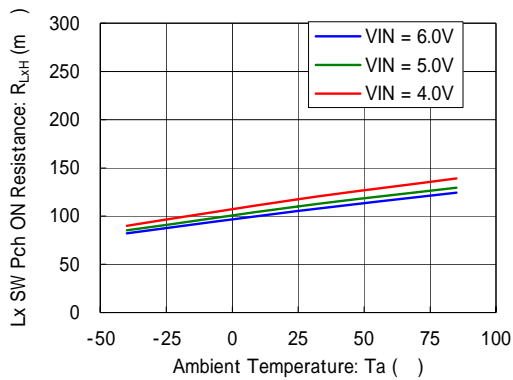
XC9243B08D



## TYPICAL PERFORMANCE CHARACTERISTICS (Continued)

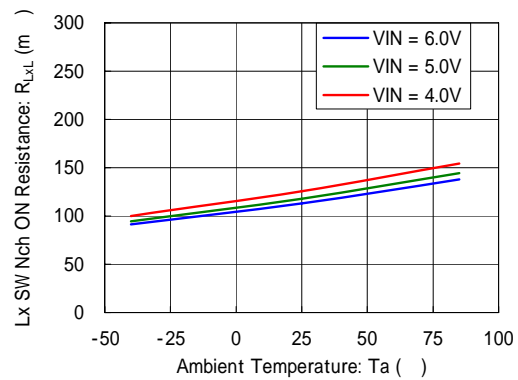
(11) Pch Driver ON Resistance vs. Ambient Temperature

XC9242B08C



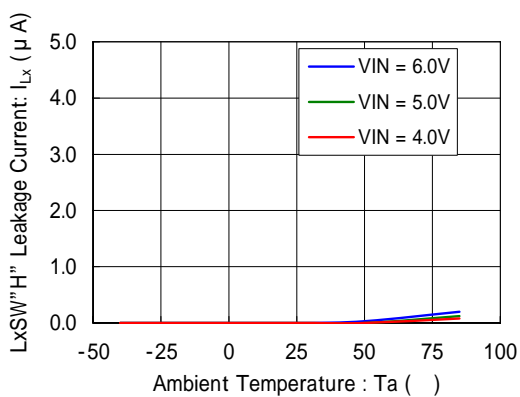
(12) Nch Driver ON Resistance vs. Ambient Temperature

XC9242B08C



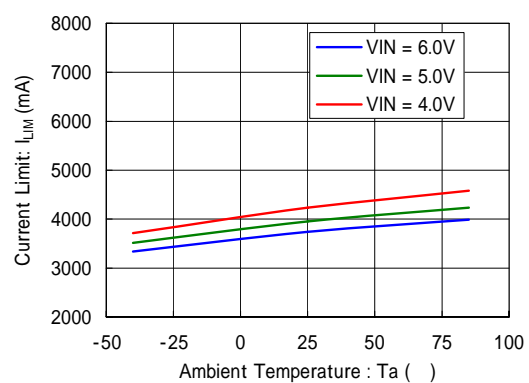
(13) LxSW<sup>H</sup> Leakage Current vs. Ambient Temperature

XC9242B08C



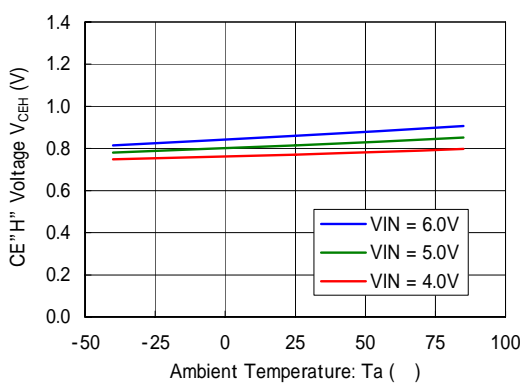
(14) Current Limit vs. Ambient Temperature

XC9242B08C



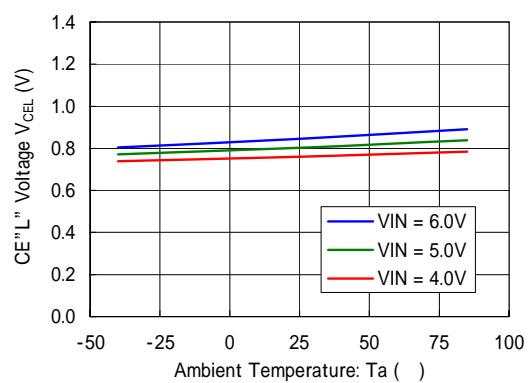
(15) CE<sup>H</sup> Voltage vs. Ambient Temperature

XC9242B08C



(16) CE<sup>L</sup> Voltage vs. Ambient Temperature

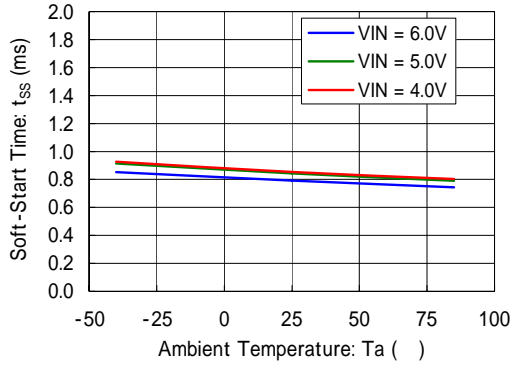
XC9242B08C



## TYPICAL PERFORMANCE CHARACTERISTICS (Continued)

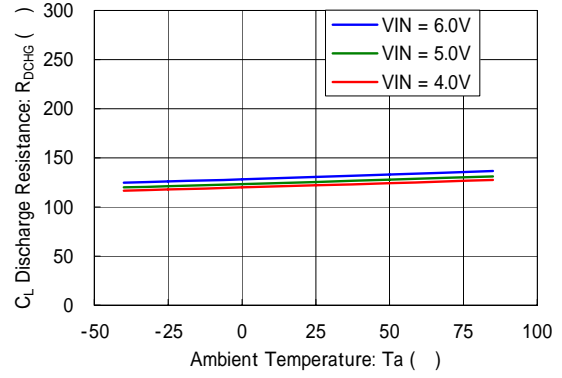
(17) Soft-Start Time vs. Ambient Temperature

XC9242B08C



(18) C<sub>L</sub> Discharge Resistance vs. Ambient Temperature

XC9242B08C

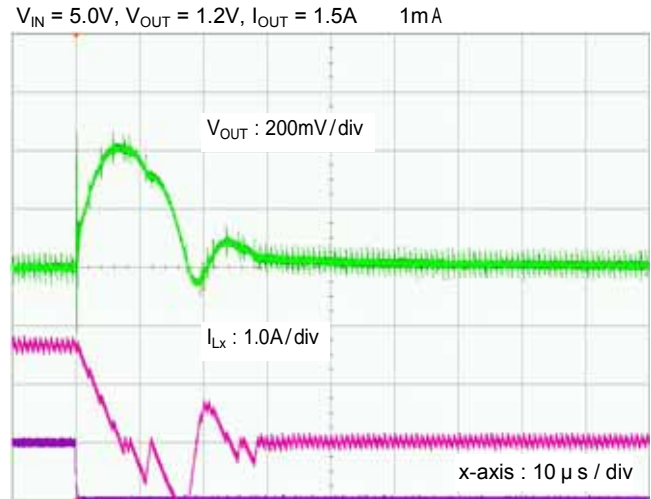
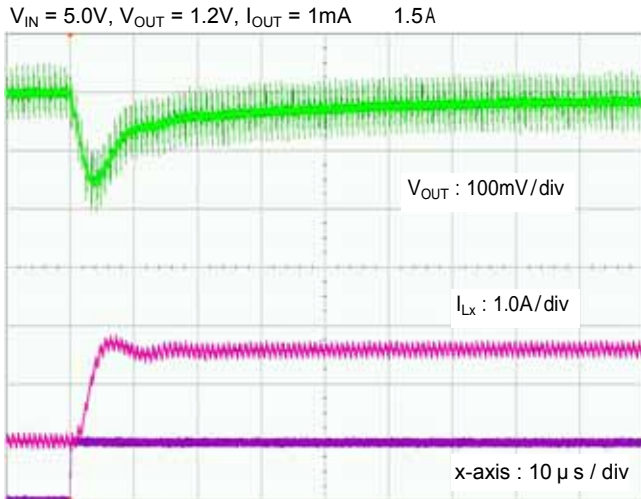


# TYPICAL PERFORMANCE CHARACTERISTICS (Continued)

## (19) Load Transient Response

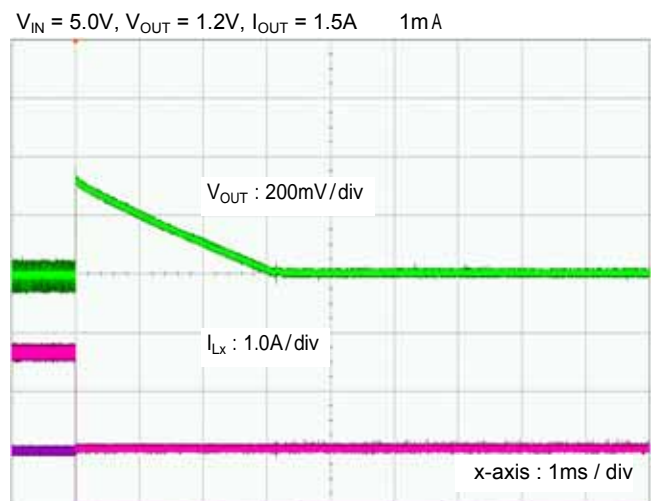
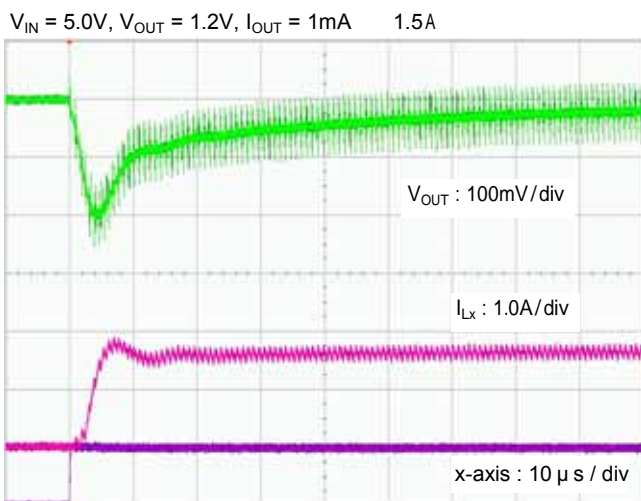
### XC9242B08C

$L=4.7\ \mu\text{H}$  (SLF7055),  $C_{IN1}=20\ \mu\text{F}$  (LMK212ABJ106KGx2)  
 $C_{IN2}=1\ \mu\text{F}$  (LMK107BJ105KAX1),  $C_L=20\ \mu\text{F}$  (LMK212ABJ106KGx2)  
 $R_{FB1}=15\text{k}\Omega$ ,  $R_{FB2}=30\text{k}\Omega$ ,  $C_{FB}=1000\text{pF}$



### XC9243B08C

$L=4.7\ \mu\text{H}$  (SLF7055),  $C_{IN1}=20\ \mu\text{F}$  (LMK212ABJ106KGx2)  
 $C_{IN2}=1\ \mu\text{F}$  (LMK107BJ105KAX1),  $C_L=20\ \mu\text{F}$  (LMK212ABJ106KGx2)  
 $R_{FB1}=15\text{k}\Omega$ ,  $R_{FB2}=30\text{k}\Omega$ ,  $C_{FB}=1000\text{pF}$



# XC9242/XC9243 Series

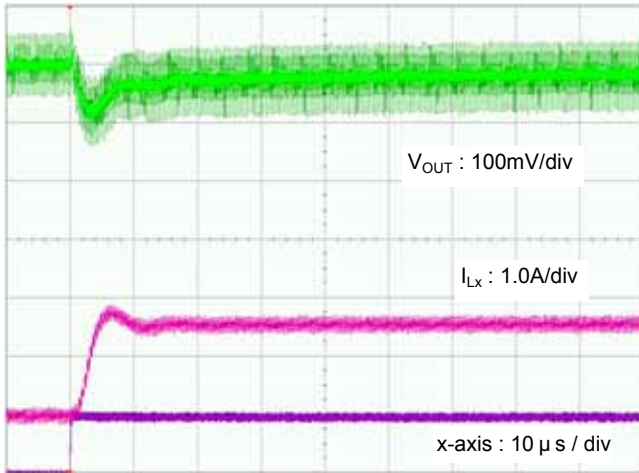
## TYPICAL PERFORMANCE CHARACTERISTICS (Continued)

### (19) Load Transient Response

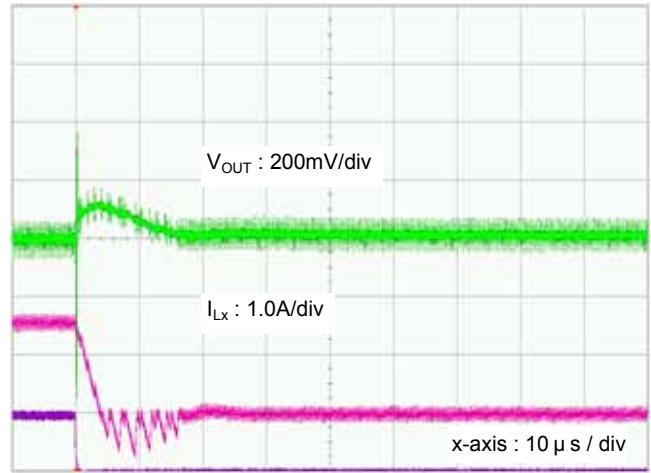
#### XC9242B08D

$L=2.2\ \mu\text{H}$  (SLF7055),  $C_{IN1}=20\ \mu\text{F}$  (LMK212ABJ106KGx2)  
 $C_{IN2}=1\ \mu\text{F}$  (LMK107BJ105KAx1),  $C_L=20\ \mu\text{F}$  (LMK212ABJ106KGx2)  
 $R_{FB1}=15\text{k}\Omega$ ,  $R_{FB2}=30\text{k}\Omega$ ,  $C_{FB}=1000\text{pF}$

$V_{IN} = 5.0\text{V}$ ,  $V_{OUT} = 1.2\text{V}$ ,  $I_{OUT} = 1\text{mA}$     1.5A



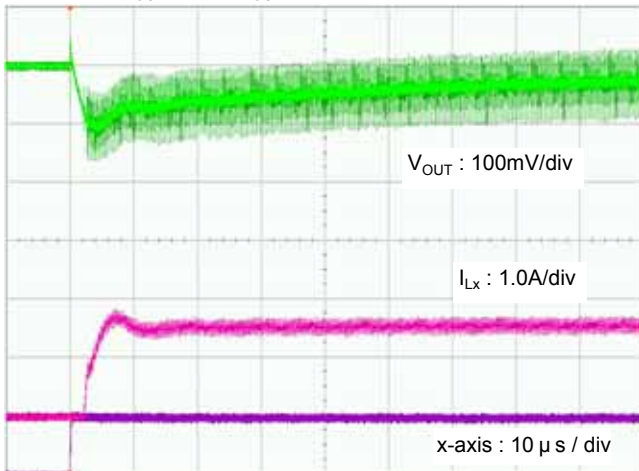
$V_{IN} = 5.0\text{V}$ ,  $V_{OUT} = 1.2\text{V}$ ,  $I_{OUT} = 1.5\text{A}$     1mA



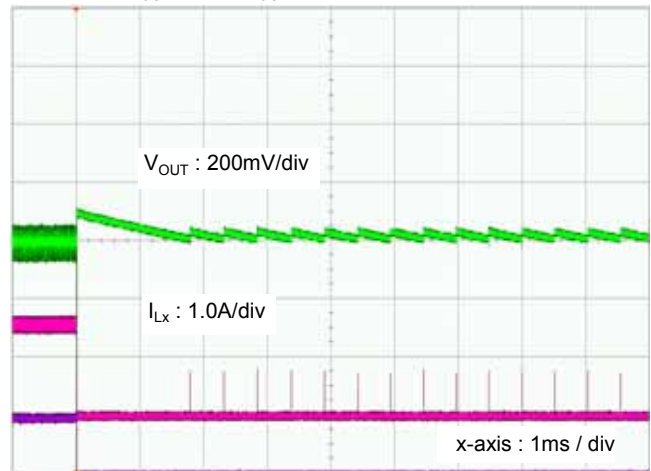
#### XC9243B08D

$L=2.2\ \mu\text{H}$  (SLF7055),  $C_{IN1}=20\ \mu\text{F}$  (LMK212ABJ106KGx2)  
 $C_{IN2}=1\ \mu\text{F}$  (LMK107BJ105KAx1),  $C_L=20\ \mu\text{F}$  (LMK212ABJ106KGx2)  
 $R_{FB1}=15\text{k}\Omega$ ,  $R_{FB2}=30\text{k}\Omega$ ,  $C_{FB}=1000\text{pF}$

$V_{IN} = 5.0\text{V}$ ,  $V_{OUT} = 1.2\text{V}$ ,  $I_{OUT} = 1\text{mA}$     1.5A



$V_{IN} = 5.0\text{V}$ ,  $V_{OUT} = 1.2\text{V}$ ,  $I_{OUT} = 1.5\text{A}$     1mA



## TYPICAL PERFORMANCE CHARACTERISTICS (Continued)

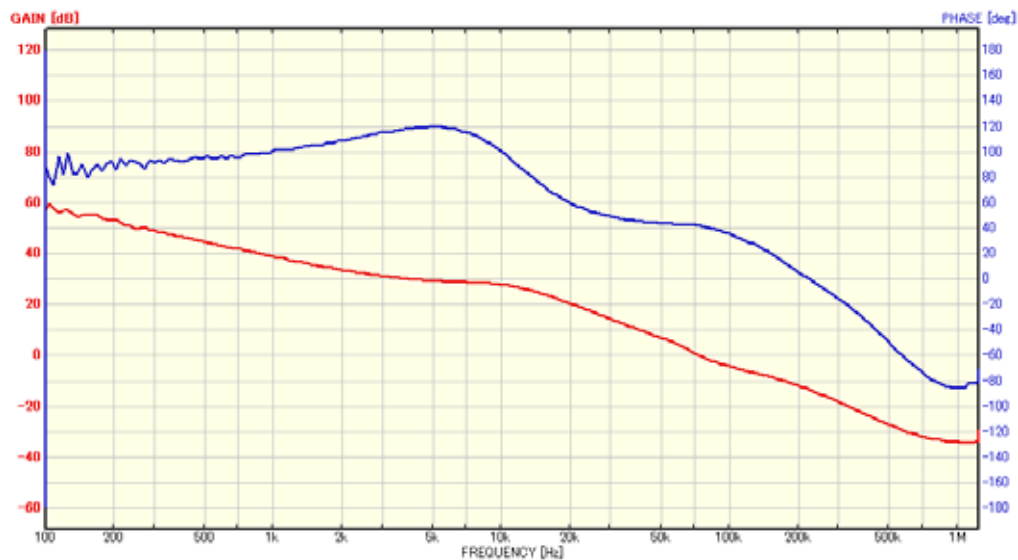
### (20) Frequency Response

Test Condition:

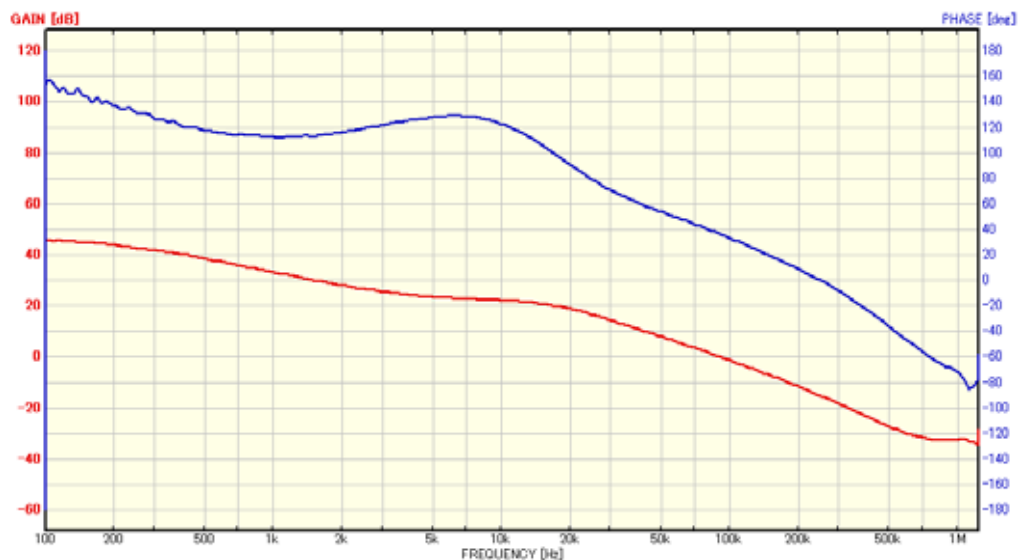
Measurement equipment:NF FRA5097 Version:3.00  
 OSC amplitude=20.0mVpeak OSC.Dcbias=0.00V  
 OSC waveform:SIN, Sweep minimum frequency=1Hz  
 Sweep maximum frequency=15MHz  
 Sweep resolution=300steps/sweep  
 Integration period=100cycle, Delay time=0cycle  
 Order of harmonic analysis=1, Measure mode:CH1&CH2  
 Auto integration:OFF, Amplitude compression:OFF  
 Slow sweep:OFF

#### XC9242B08CDR

$L=4.7\ \mu\text{H}$  (SLF7055),  $C_{IN}=20\ \mu\text{F}$  (LMK212ABJ106KGx2)  
 $C_{IN}=1\ \mu\text{F}$  (LMK107BJ105KAX1),  $C_L=20\ \mu\text{F}$  (LMK212ABJ106KGx2)  
 $R_{FB1}=15\text{k}\Omega$ ,  $R_{FB2}=30\text{k}\Omega$ ,  $C_{FB}=1000\text{pF}$   
 $V_{IN}=5.0\text{V}$ ,  $V_{CE}=V_{IN}$ ,  $V_{OUT}=1.2\text{V}$ ,  $I_{OUT}=1\text{mA}$



$L=4.7\ \mu\text{H}$  (SLF7055),  $C_{IN}=20\ \mu\text{F}$  (LMK212ABJ106KGx2)  
 $C_{IN}=1\ \mu\text{F}$  (LMK107BJ105KAX1),  $C_L=20\ \mu\text{F}$  (LMK212ABJ106KGx2)  
 $R_{FB1}=15\text{k}\Omega$ ,  $R_{FB2}=30\text{k}\Omega$ ,  $C_{FB}=1000\text{pF}$   
 $V_{IN}=5.0\text{V}$ ,  $V_{CE}=V_{IN}$ ,  $V_{OUT}=1.2\text{V}$ ,  $I_{OUT}=1000\text{mA}$



# XC9242/XC9243 Series

## TYPICAL PERFORMANCE CHARACTERISTICS (Continued)

### (20) Frequency Response (Continued)

Test Condition:

Measurement equipment:NF FRA5097 Version:3.00

OSC amplitude=20.0mVpeak OSC.Dcbias=0.00V

OSC waveform:SIN, Sweep minimum frequency=1Hz

Sweep maximum frequency=15MHz

Sweep resolution=300steps/sweep

Integration period=100cycle, Delay time=0cycle

Order of harmonic analysis=1, Measure mode:CH1&CH2

Auto integration:OFF, Amplitude compression:OFF

Slow sweep:OFF

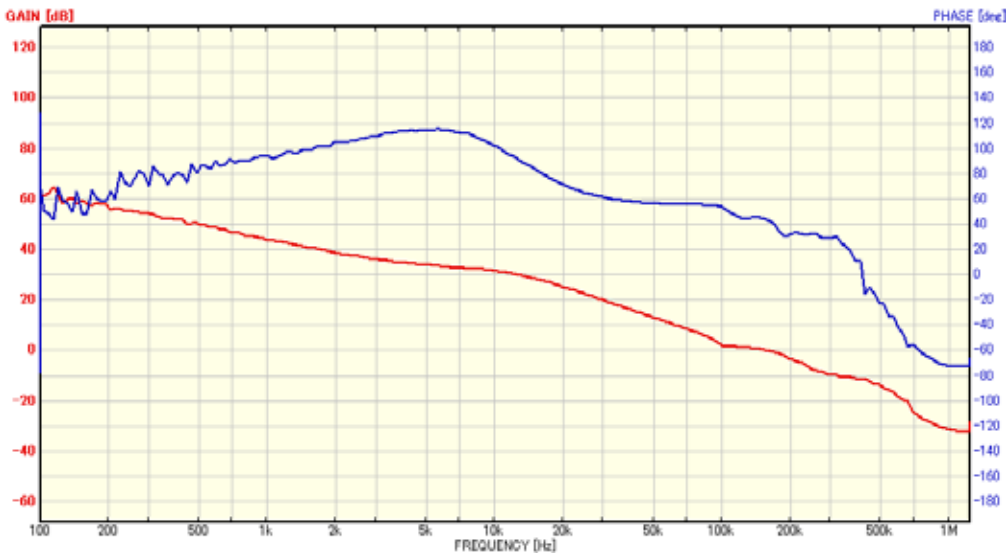
### XC9242B08DDR

$L=2.2\ \mu\text{H}$  (SLF7055),  $C_{IN}=20\ \mu\text{F}$  (LMK212ABJ106KGx2)

$C_{IN}=1\ \mu\text{F}$  (LMK107BJ105KAx1),  $C_L=20\ \mu\text{F}$  (LMK212ABJ106KGx2)

$R_{FB1}=15\text{k}\Omega$ ,  $R_{FB2}=30\text{k}\Omega$ ,  $C_{FB}=1000\text{pF}$

$V_{IN}=5.0\text{V}$ ,  $V_{CE}=V_{IN}$ ,  $V_{OUT}=1.2\text{V}$ ,  $I_{OUT}=1\text{mA}$

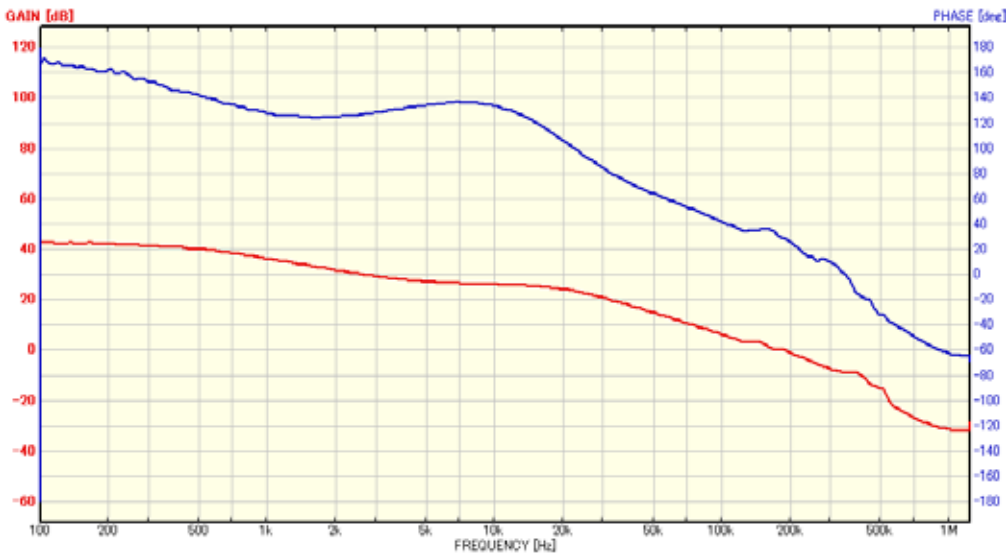


$L=2.2\ \mu\text{H}$  (SLF7055),  $C_{IN}=20\ \mu\text{F}$  (LMK212ABJ106KGx2)

$C_{IN}=1\ \mu\text{F}$  (LMK107BJ105KAx1),  $C_L=20\ \mu\text{F}$  (LMK212ABJ106KGx2)

$R_{FB1}=15\text{k}\Omega$ ,  $R_{FB2}=30\text{k}\Omega$ ,  $C_{FB}=1000\text{pF}$

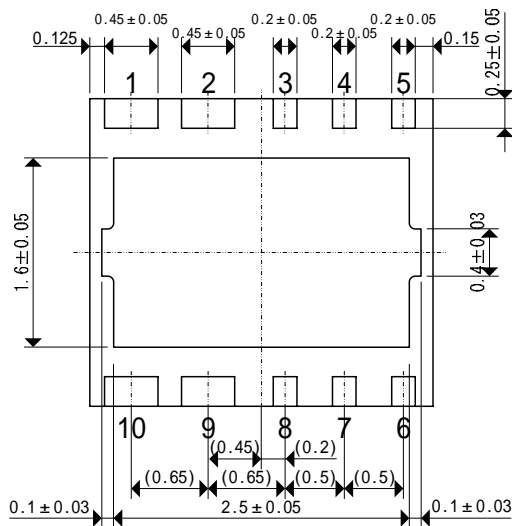
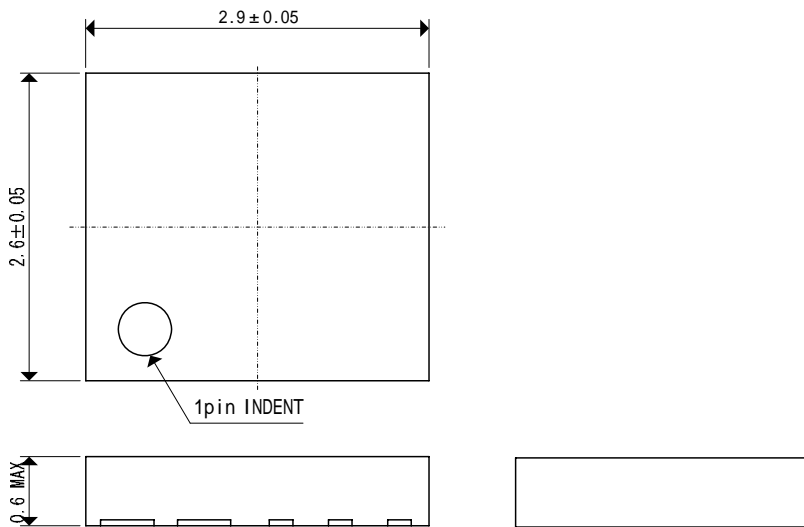
$V_{IN}=5.0\text{V}$ ,  $V_{CE}=V_{IN}$ ,  $V_{OUT}=1.2\text{V}$ ,  $I_{OUT}=1000\text{mA}$



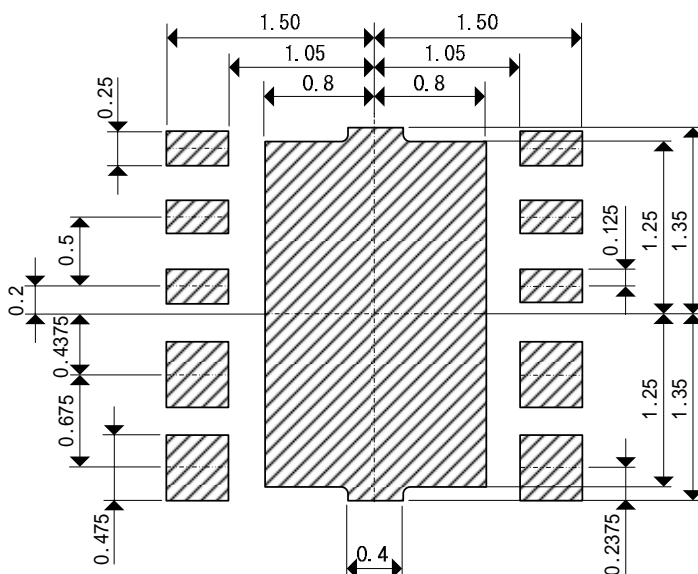


# PACKAGING INFORMATION

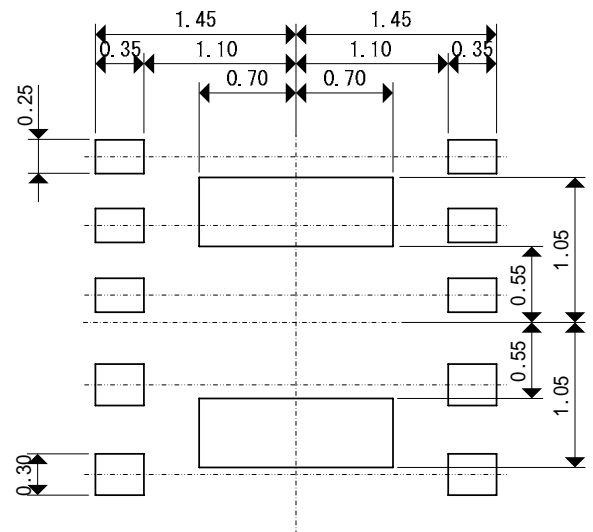
USP-10B (unit: mm)



USP-10B Reference Pattern Layout (unit: mm)



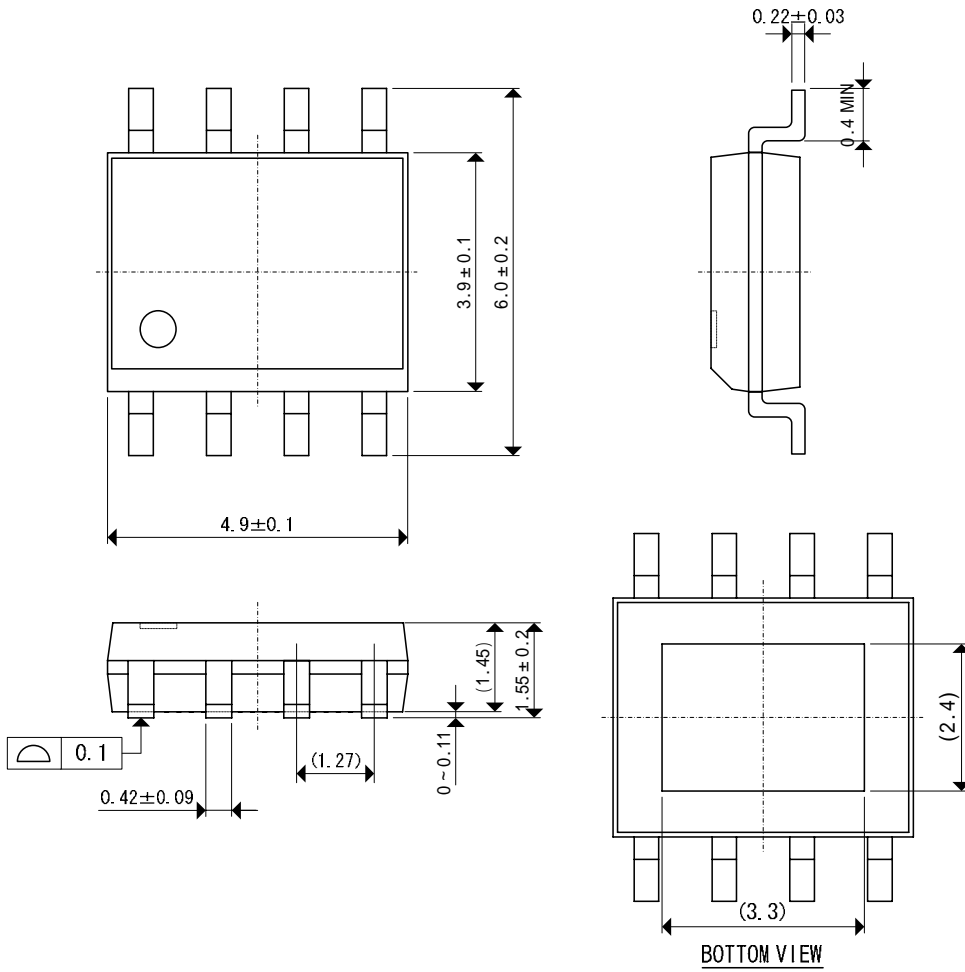
USP-10B Reference Metal Mask Design (unit: mm)



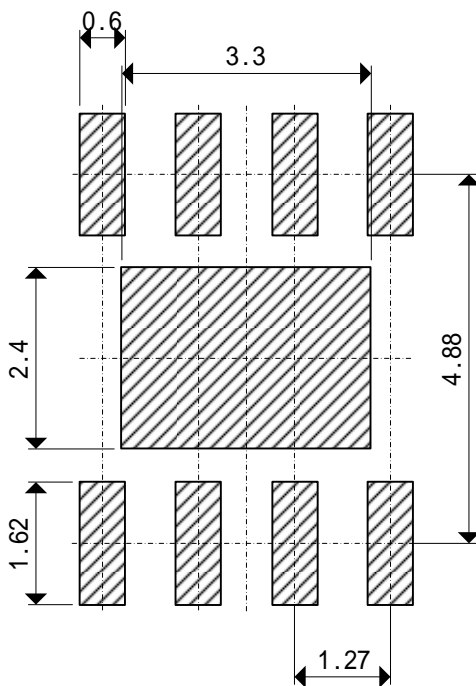
# XC9242/XC9243 Series

## PACKAGING INFORMATION (Continued)

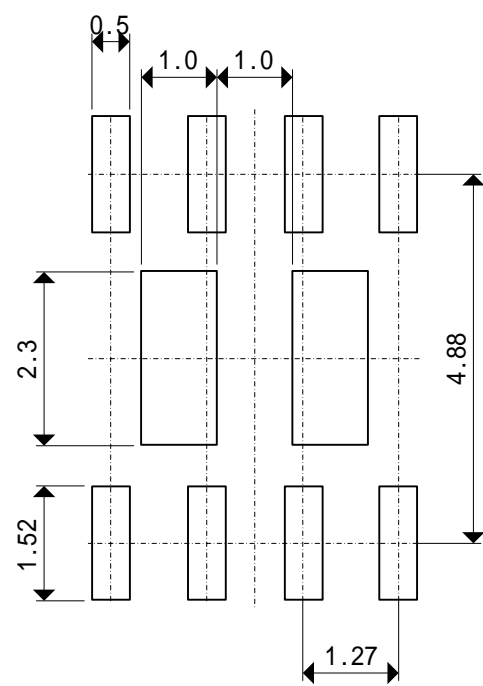
SOP-8FD (unit: mm)



SOP-8FD Reference Pattern Layout (unit: mm)

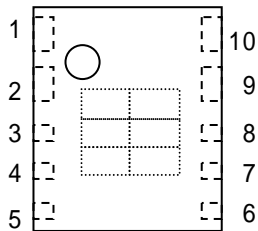


SOP-8FD Reference Metal Mask Design (unit: mm)



## MARKING RULE

USP-10B



represents product series

MARK	PRODUCT SERIES
B	XC9242*****-G
C	XC9243*****-G

represents product function

MARK	FUNCTION	PRODUCT SERIES
B	C <sub>L</sub> High Speed Discharge	XC924*B*****-G

represents reference voltage

MARK	OUTPUT VOLTAGE (V)	PRODUCT SERIES
8	0.8	XC924*B08***-G

represents oscillation frequency

MARK	OSCILLATION FREQUENCY (MHz)	PRODUCT SERIES
C	1.2	XC924*B**C**-G
D	2.4	XC924*B**D**-G

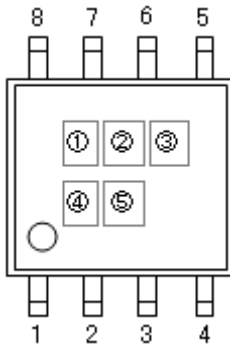
represents production lot number

01 to 09, 0A to 0Z, 11 to 9Z, A1 to A9, AA to AZ, B1 to ZZ repeated  
(G, I, J, O, Q, W excluded)

\*No character inversion used.

## MARKING RULE (Continued)

SOP-8FD



represents product series

MARK	PRODUCT SERIES
B	XC9242*****-G
C	XC9243*****-G

represents product function

MARK	FUNCTION	PRODUCT SERIES
B	C <sub>L</sub> High Speed Discharge	XC924*B*****-G

represents oscillation frequency

MARK	OSCILLATION FREQUENCY (MHz)	PRODUCT SERIES
C	1.2	XC924*B**C**-G
D	2.4	XC924*B**D**-G

represents production lot number

01 to 09, 0A to 0Z, A1 to A9, AA to AZ, B1 to ZZ repeated  
(G, I, J, O, Q, W excluded)

\*No character inversion used.

1. The products and product specifications contained herein are subject to change without notice to improve performance characteristics. Consult us, or our representatives before use, to confirm that the information in this datasheet is up to date.
2. We assume no responsibility for any infringement of patents, patent rights, or other rights arising from the use of any information and circuitry in this datasheet.
3. Please ensure suitable shipping controls (including fail-safe designs and aging protection) are in force for equipment employing products listed in this datasheet.
4. The products in this datasheet are not developed, designed, or approved for use with such equipment whose failure or malfunction can be reasonably expected to directly endanger the life of, or cause significant injury to, the user.  
(e.g. Atomic energy; aerospace; transport; combustion and associated safety equipment thereof.)
5. Please use the products listed in this datasheet within the specified ranges.  
Should you wish to use the products under conditions exceeding the specifications, please consult us or our representatives.
6. We assume no responsibility for damage or loss due to abnormal use.
7. All rights reserved. No part of this datasheet may be copied or reproduced without the prior permission of TOREX SEMICONDUCTOR LTD.

**TOREX SEMICONDUCTOR LTD.**

单击下面可查看定价，库存，交付和生命周期等信息

[>>Torex Semiconductor\(特瑞仕\)](#)