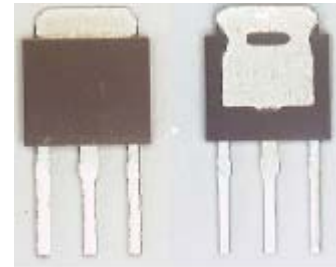




## Semiconductor & Storage Products Company

### NPN Bipolar Transistors for AC Adaptors and DC-DC Converters: TTC008, TTC012

We have developed NPN bipolar transistors for AC adaptors and DC-DC converters. The product lineup includes the TTC008 (for AC100 V power supply) and the TTC012 (for AC200 V power supply), which have a higher current rating than our well received products for the same purpose, the 2SC6010 (for AC100 V power supply) and the 2SC6042 (for AC200 V power supply). Since they have a higher current rating than the previous models, they can be used for higher output AC adaptors.



New PW-Mold2

#### Features

High-speed switching

High collector-emitter voltage

High current amplification factor ( $h_{FE}$ )  $h_{FE}=100$  to  $200$  ( $V_{CE}=5V$ ,  $I_C=0.3A$ )

The products are standardized for low current ( $I_C=1mA$ )  $h_{FE}$  and so they have excellent low temperature start-up characteristics:  
 $h_{FE} = 80$  (min) ( $V_{CE}=5V$ ,  $I_C=1mA$ )

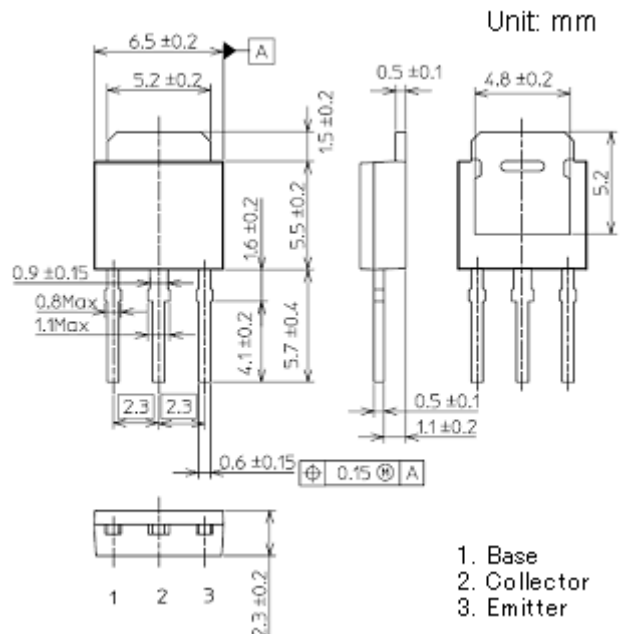
#### Uses

high-speed high-voltage switching

switching regulators

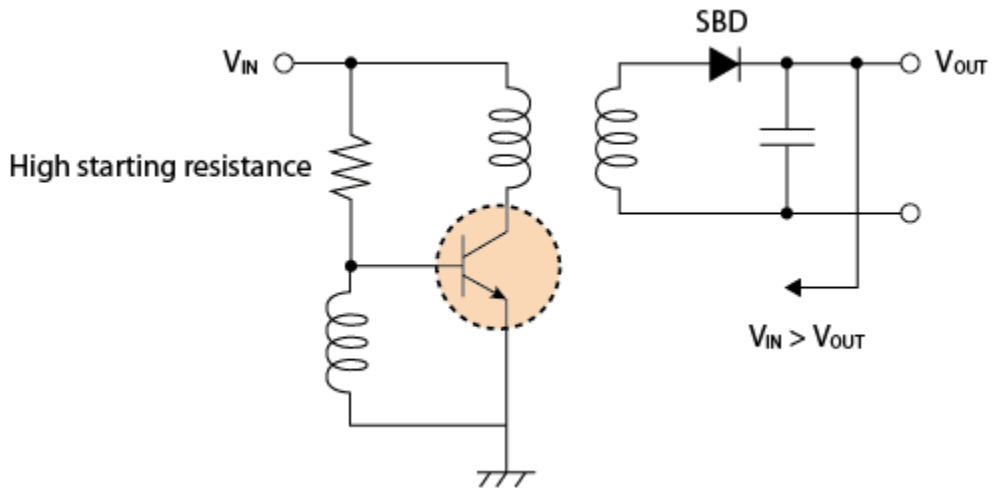
high-speed DC-DC converters

**Outline Drawing**

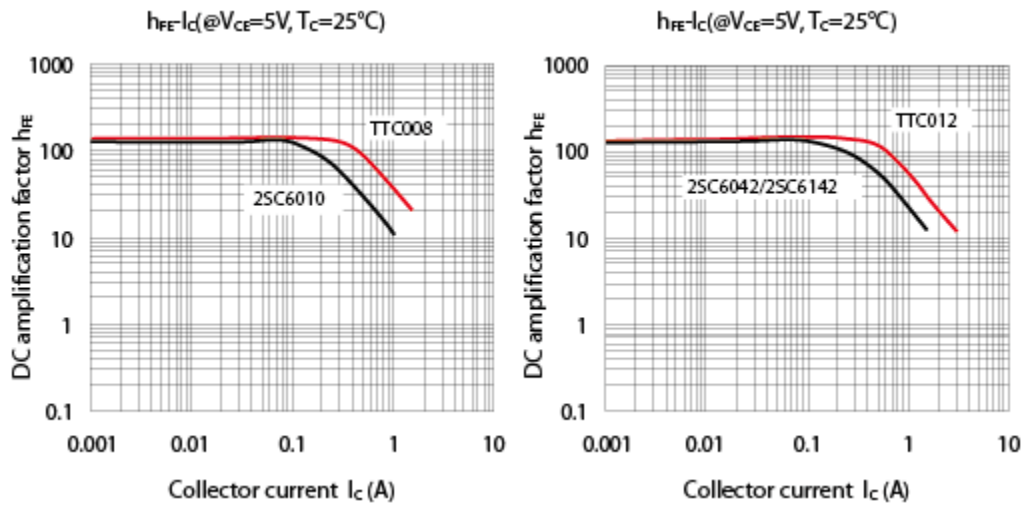


**Circuit Example**

AC adaptors, self-excited DC-DC converters



**Main Specifications**



**Lineup**

Lineup of Bipolar Transistors for AC Adaptors and DC-DC Converters

Purpose	Package	Part number	$V_{CBO}$ (V)	$V_{CEO}$ (V)	$I_C$ (A)	$h_{FE}$
AC100V power supply	New PW-Mold2	TTC003	600	400	3	20 to 60 (@ $V_{CE}=5V$ , $I_C=0.3A$ )
		TTC008 <sup>(*1)</sup>	600	285	1.5	100 to 200 (@ $V_{CE}=5V$ , $I_C=0.3A$ )
	MSTM	2SC6010	600	285	1	100 to 200 (@ $V_{CE}=5V$ , $I_C=0.1A$ )
		2SC6034	600	285	1	125 to 250 (@ $V_{CE}=5V$ , $I_C=0.1A$ )
		2SC5930	600	285	1	40 to 100 (@ $V_{CE}=5V$ , $I_C=0.2A$ )
AC200V power supply	New PW-Mold2	TTC012 <sup>(*1)</sup>	800	375	2	100 to 200 (@ $V_{CE}=5V$ , $I_C=0.3A$ )
		2SC6142	800	375	1.5	100 to 200 (@ $V_{CE}=5V$ , $I_C=0.1A$ )
	MSTM	2SC6042	800	375	1	100 to 200 (@ $V_{CE}=5V$ , $I_C=0.1A$ )
		2SC6040	800	410	1	60 to 120 (@ $V_{CE}=5V$ , $I_C=0.1A$ )

\*1: New product

[Top of this page](#)

单击下面可查看定价，库存，交付和生命周期等信息

[>>Toshiba\(东芝\)](#)