

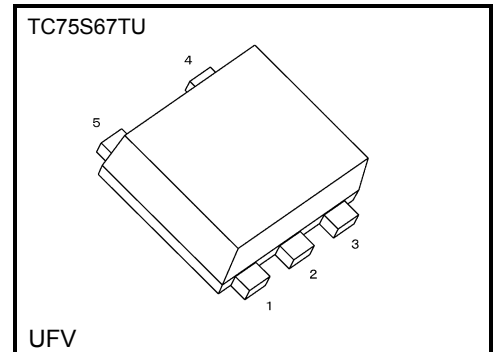
TOSHIBA CMOS Linear Integrated Circuit Silicon Monolithic

TC75S67TU

Single Operational Amplifier (Ultra Low Noise Operational Amplifier)

Features

- Ultra Low Noise. $V_{NI} = 6 \text{ nV}/\sqrt{\text{Hz}}$ (typ.) @ $V_{DD} = 2.5 \text{ V}$
- Low-current supply. $430 \text{ }\mu\text{A}$ (typ.) @ $V_{DD} = 2.5 \text{ V}$
- Ultra-compact package.



Weight: 7 mg (typ.)

Absolute Maximum Ratings (Note) ($T_a = 25^\circ\text{C}$)

Characteristics	Symbol	Rating	Unit
Supply voltage	V_{DD}, V_{SS}	6	V
Differential input voltage	DV_{IN}	± 6	V
Input voltage	V_{IN}	V_{DD} to V_{SS}	V
Output current	I_{OUT}	± 4	mA
Power dissipation (Note 1)	P_D	450	mW
Operating temperature	T_{opr}	-40 to 85	$^\circ\text{C}$
Storage temperature	T_{stg}	-55 to 125	$^\circ\text{C}$

Note: Exceeding any of the absolute maximum ratings, even briefly, lead to deterioration in IC performance or even destruction.

Using continuously under heavy loads (e.g. the application of high temperature/current/voltage and the significant change in temperature, etc.) may cause this product to decrease in the reliability significantly even if the operating conditions (i.e. operating temperature/current/voltage, etc.) are within the absolute maximum ratings and the operating ranges.

Please design the appropriate reliability upon reviewing the Toshiba Semiconductor Reliability Handbook ("Handling Precautions"/"Derating Concept and Methods") and individual reliability data (i.e. reliability test report and estimated failure rate, etc).

Note 1: Mounted on a glass epoxy circuit board of 30 mm \times 30 mm. Pad dimension of 35mm²

Operating Ratings (Note) ($T_a = 25^\circ\text{C}$)

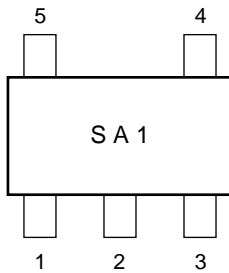
Characteristics	Symbol	Rating	Unit
Supply voltage	V_{DD}, V_{SS}	2.2 to 5.5	V

Note: Do not use this product in a voltage follower circuit or outside the range of the common mode input voltage. (For the common mode input voltage, see DC Characteristics on Page 2). Failure to follow this instruction may cause a circuit oscillation.

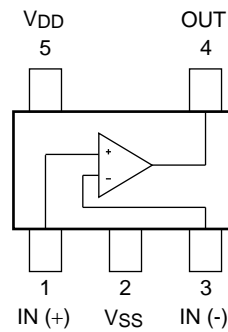
A higher load capacitance will increase the risk of voltage oscillation, even if this product is used within the range of the common mode input voltage. Allow sufficient capacitance value margin when designing your circuit and using this product to prevent a circuit oscillation.

Start of commercial production
2017-08

Marking (top view)



Pin Connection (top view)



Electrical Characteristics

DC Characteristics (V_{DD} = 2.5 V, V_{SS} = GND, T_a = 25°C)

Characteristics	Symbol	Test Circuit	Test Condition	Min	Typ.	Max	Unit
Input offset voltage	V _{IO}	1	R _S = 1 kΩ, R _F = 100 kΩ	-	0.5	3	mV
Input offset voltage drift	V _{IO} drift	1	R _S = 1 kΩ, R _F = 100 kΩ	-	2	-	μV/°C
Input offset current	I _{IO}	-	-	-	1	-	pA
Input bias current	I _I	-	-	-	1	-	pA
Common mode input voltage	CMV _{IN}	2	R _S = 1 kΩ, R _F = 100 kΩ	0	-	1.4	V
Voltage gain (open loop)	G _V	-	-	80	100	-	dB
Maximum output voltage	V _{OH}	3	R _L ≥ 100 kΩ	2.4	-	-	V
	V _{OL}	4	R _L ≥ 100 kΩ	-	-	0.1	
Common mode input signal rejection ratio	CMRR	2	V _{IN} = 0 to 1.4 V	70	100	-	dB
Supply voltage rejection ratio	SVRR	1	V _{DD} = 2.2 to 5.5V	70	100	-	dB
Supply current	I _{DD}	5	-	-	430	700	μA
Source current	I _{source}	6	-	2000	2500	-	μA
Sink current	I _{sink}	7	-	2000	3500	-	μA

AC Characteristics (V_{DD} = 2.5 V, V_{SS} = GND, T_a = 25°C)

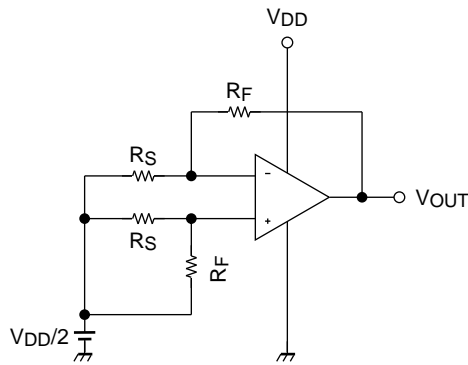
Characteristics	Symbol	Test Circuit	Test Condition	Min	Typ.	Max	Unit
Equivalent input Noise Voltage	V _{NI}	-	f = 10 Hz, G _V = 40 dB, R _S = 100 Ω, R _f = 10 kΩ	-	16	40	nV/√Hz
			f = 1 kHz, G _V = 40 dB, R _S = 100 Ω, R _f = 10 kΩ	-	6	10	
Unity Gain Cross Frequency	f _T	9	-	3.0	3.5	-	MHz
Phase delay	φ _D	8	f = 10 kHz	-	-10.5	-	degrees
Phase margin	φ _m	9	G _V = 6 dB (A _v = 2)	-	55	-	degrees

AC Characteristics (V_{DD} = 1.25 V, V_{SS} = -1.25 V, T_a = 25°C)

Characteristics	Symbol	Test Circuit	Test Condition	Min	Typ.	Max	Unit
Slew Rate	SR	10	G _V = 12 dB, V _{IN} = 0.25 V _{p-p}	-	1.0	-	V/μs

Test Circuit

1. SVRR, V_{IO}



- SVRR
- For each of the two V_{DD} values, measure the V_{OUT} value, as indicated below, and calculate the value of SVRR using the equation shown.

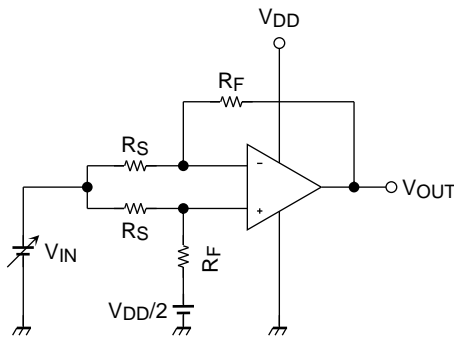
When $V_{DD} = 2.2\text{ V}$, $V_{DD} = V_{DD1}$ and $V_{OUT} = V_{OUT1}$
 When $V_{DD} = 5.5\text{ V}$, $V_{DD} = V_{DD2}$ and $V_{OUT} = V_{OUT2}$

$$SVRR = 20 \log \left(\left| \frac{V_{DD1} - V_{DD2}}{\left(V_{OUT1} - \left(\frac{V_{DD1}}{2} \right) \right) - \left(V_{OUT2} - \left(\frac{V_{DD2}}{2} \right) \right)} \right| \times \frac{R_F + R_S}{R_S} \right)$$

- V_{IO}
Measure the value of V_{OUT} and calculate the value of V_{IO} using the following equation.

$$V_{IO} = \left(V_{OUT} - \frac{V_{DD}}{2} \right) \times \left(\frac{R_S}{R_F + R_S} \right)$$

2. CMRR, CMV_{IN}



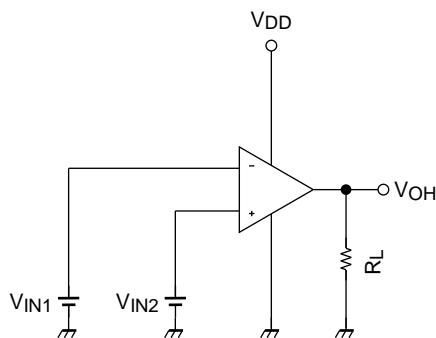
- CMRR
Measure the V_{OUT} value, as indicated below, and calculate the value of the CMRR using the equation shown.

When $V_{IN} = 0\text{ V}$, $V_{IN} = V_{IN1}$ and $V_{OUT} = V_{OUT1}$
 When $V_{IN} = 1.4\text{ V}$, $V_{IN} = V_{IN2}$ and $V_{OUT} = V_{OUT2}$

$$CMRR = 20 \log \left(\left| \frac{V_{IN1} - V_{IN2}}{V_{OUT1} - V_{OUT2}} \right| \times \frac{R_F + R_S}{R_S} \right)$$

- CMV_{IN}
Input range within which the CMRR specification guarantees V_{OUT} value (as varied by the V_{IN} value).

3. V_{OH}

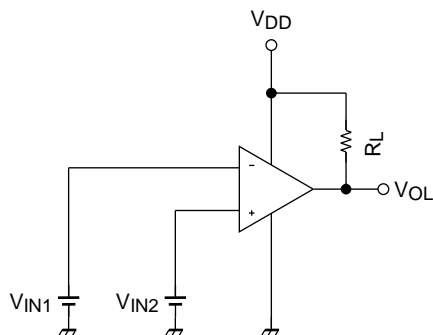


- V_{OH}

$$V_{IN1} = \frac{V_{DD}}{2} - 0.1\text{ V}$$

$$V_{IN2} = \frac{V_{DD}}{2}$$

4. V_{OL}

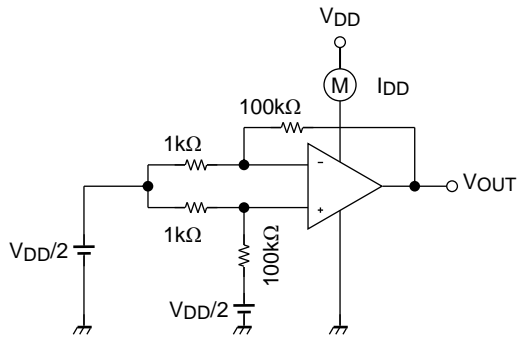


- V_{OL}

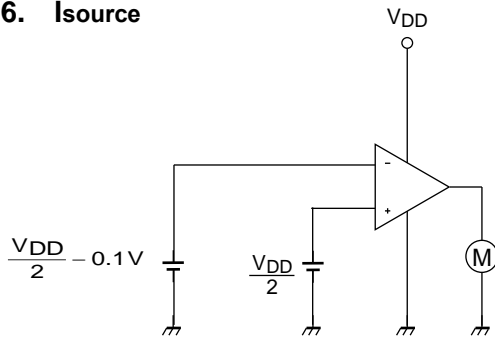
$$V_{IN1} = \frac{V_{DD}}{2}$$

$$V_{IN2} = \frac{V_{DD}}{2} - 0.1\text{ V}$$

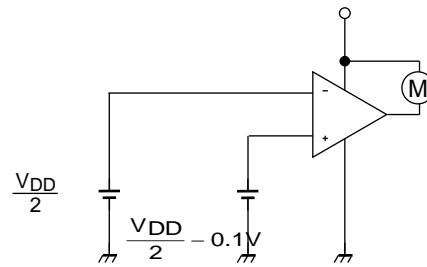
5. I_{DD}



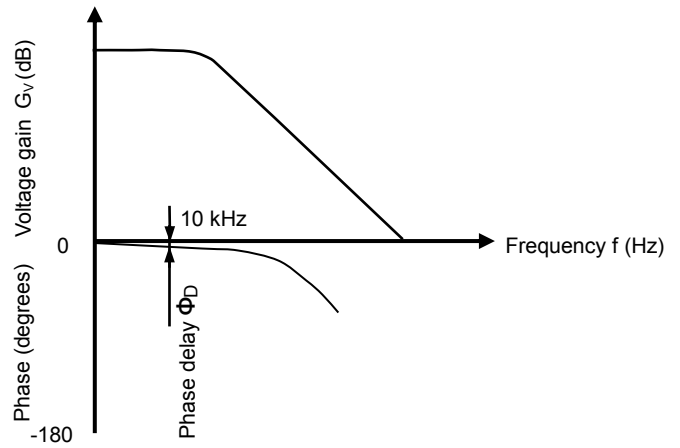
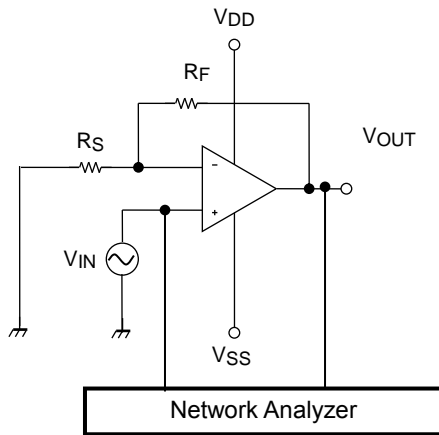
6. I_{source}



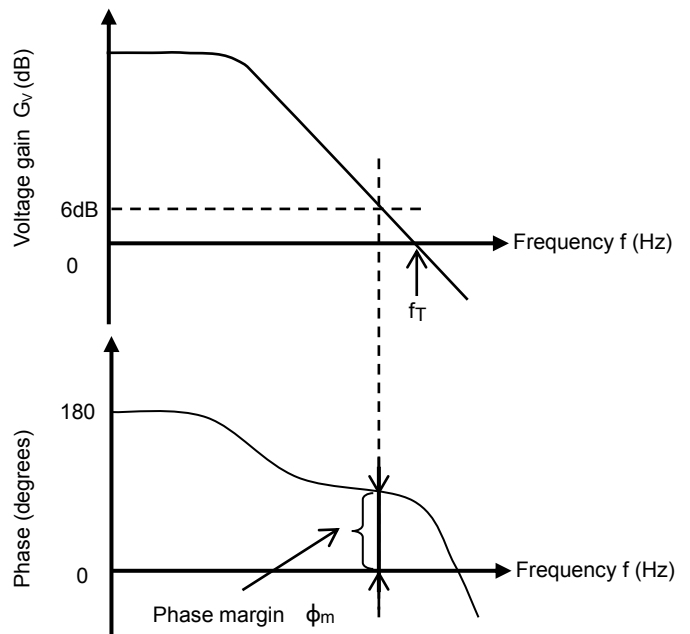
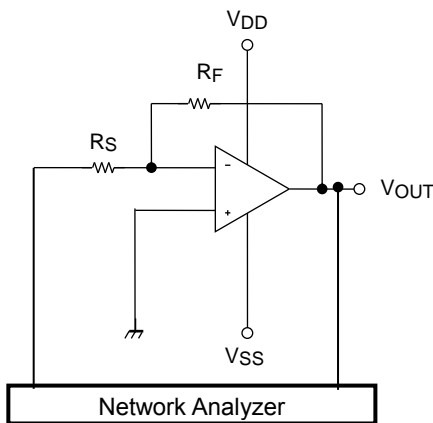
7. I_{sink}



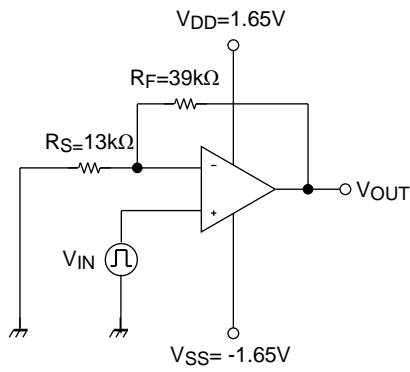
8. ϕ_D



9. f_T, ϕ_m



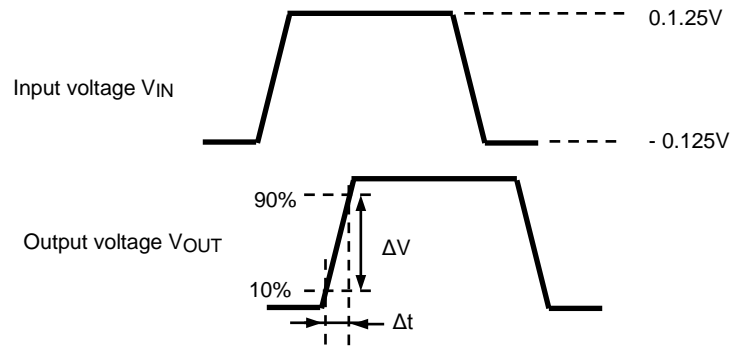
10. SR

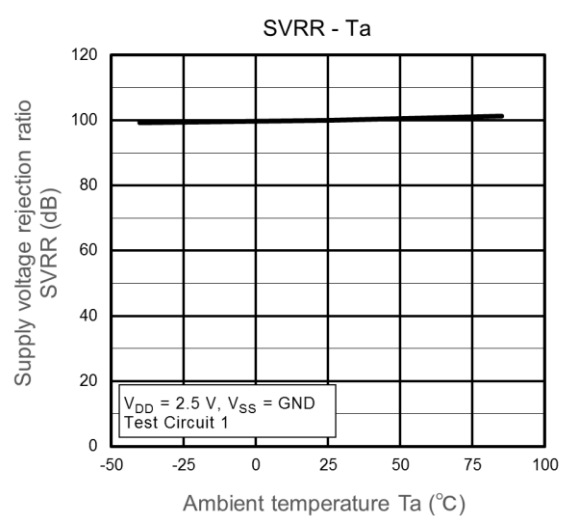
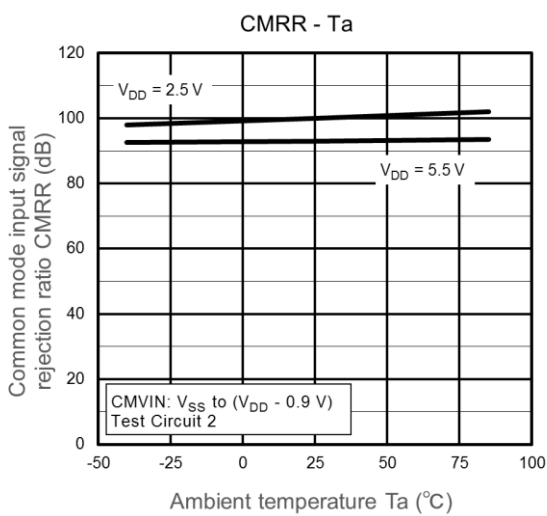
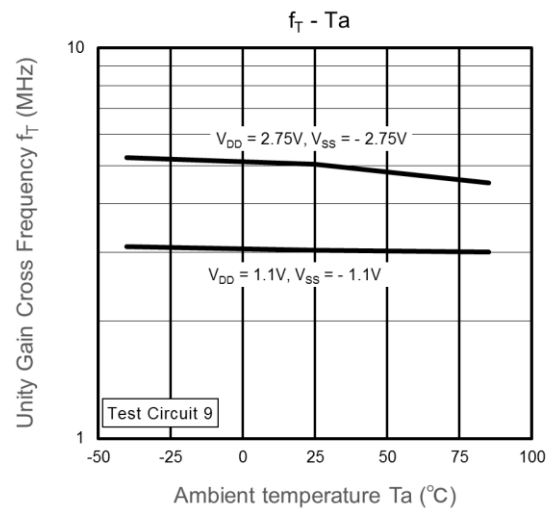
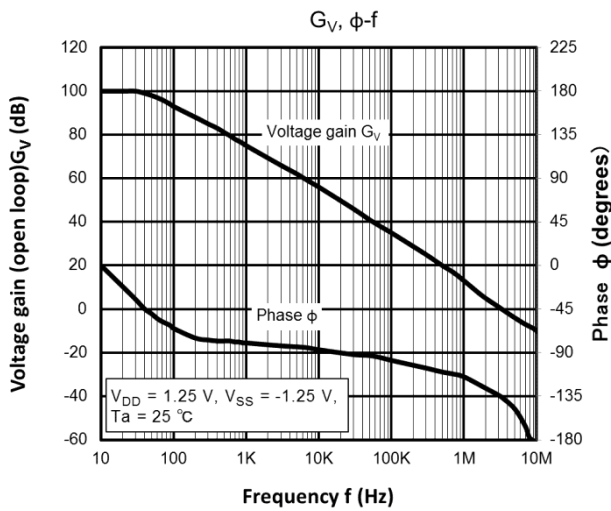
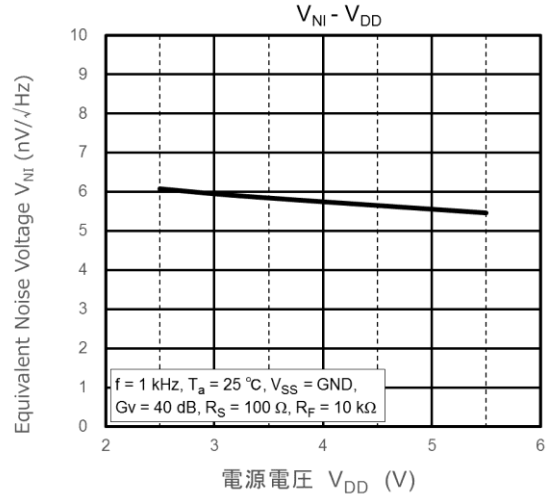
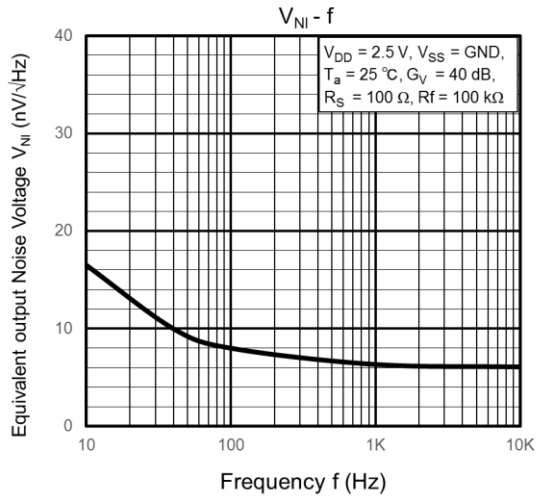


- SR

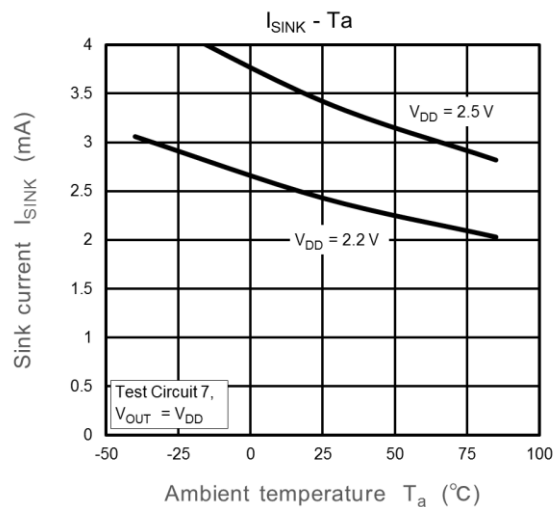
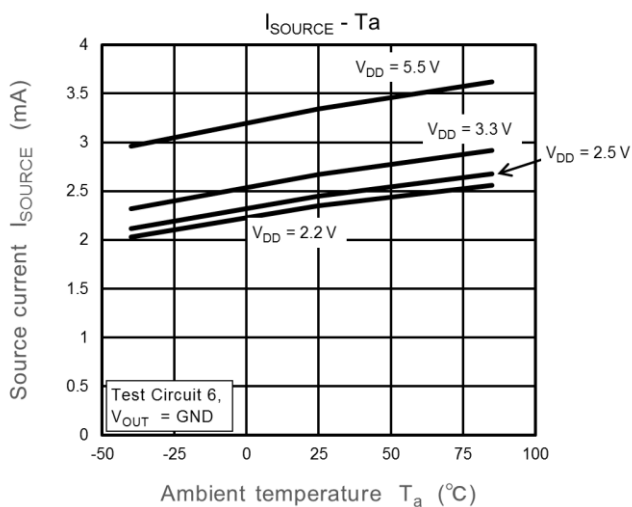
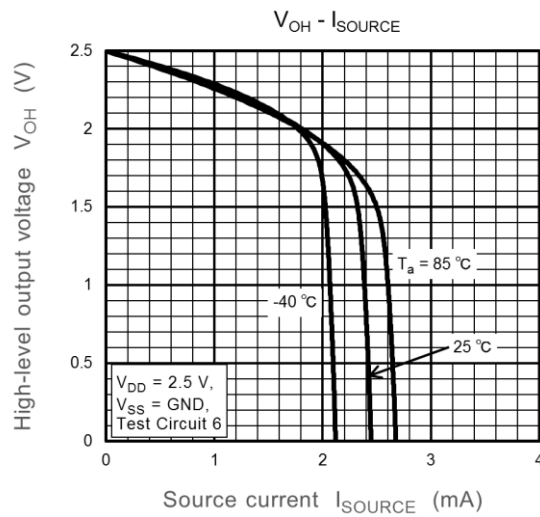
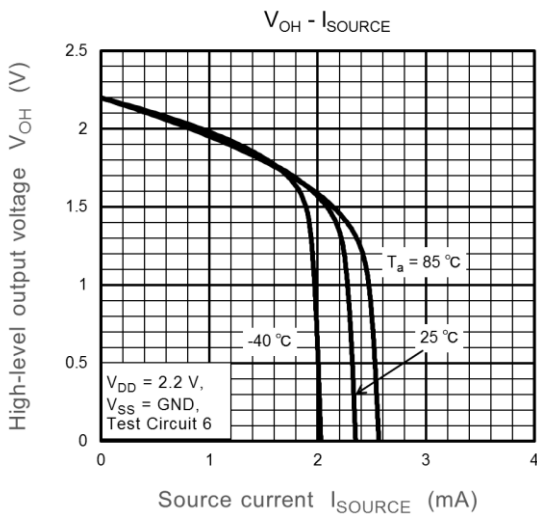
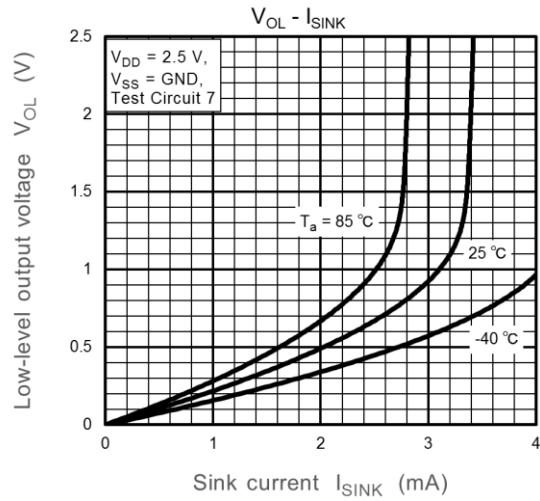
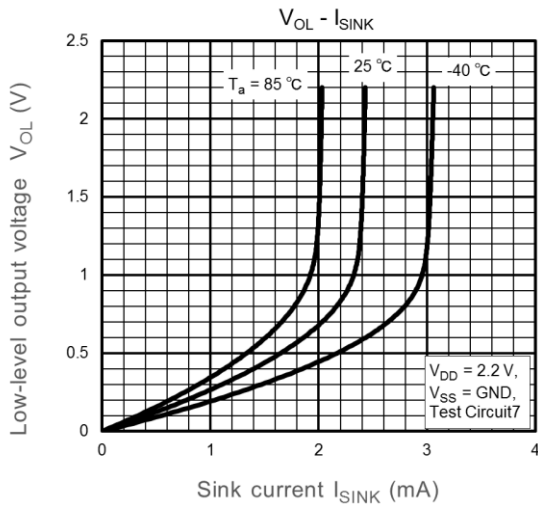
$$G_V = 1 + \frac{R_F}{R_S} = 12 \text{ dB}$$

$$SR = \frac{\Delta t}{\Delta V}$$

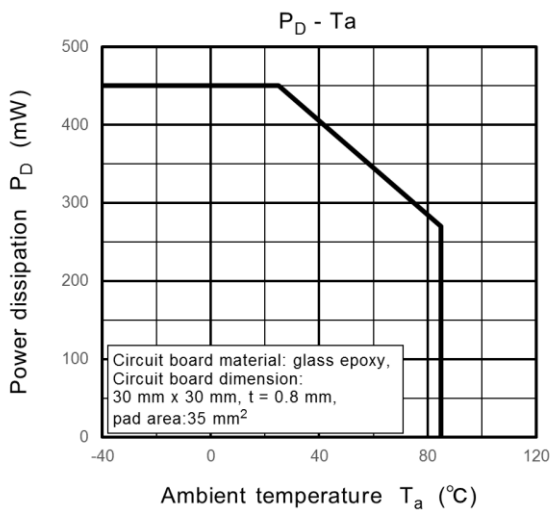
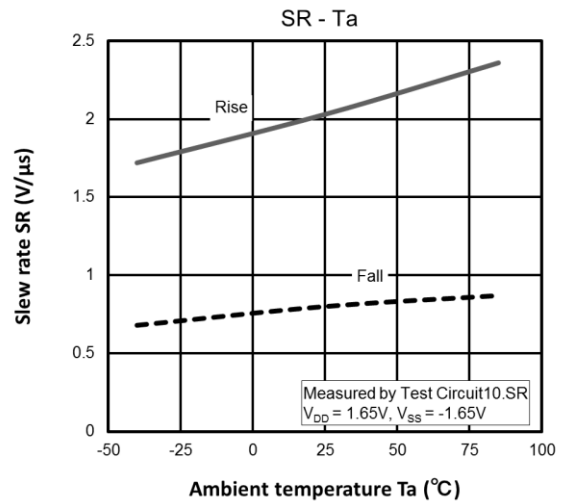
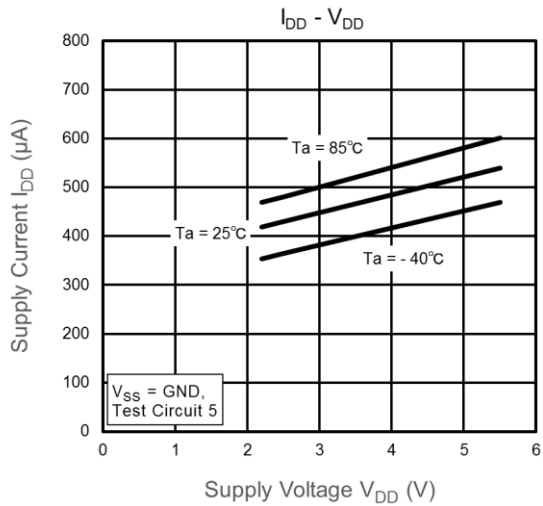




The above characteristics curves are presented for reference only and not guaranteed by production test, unless otherwise noted.

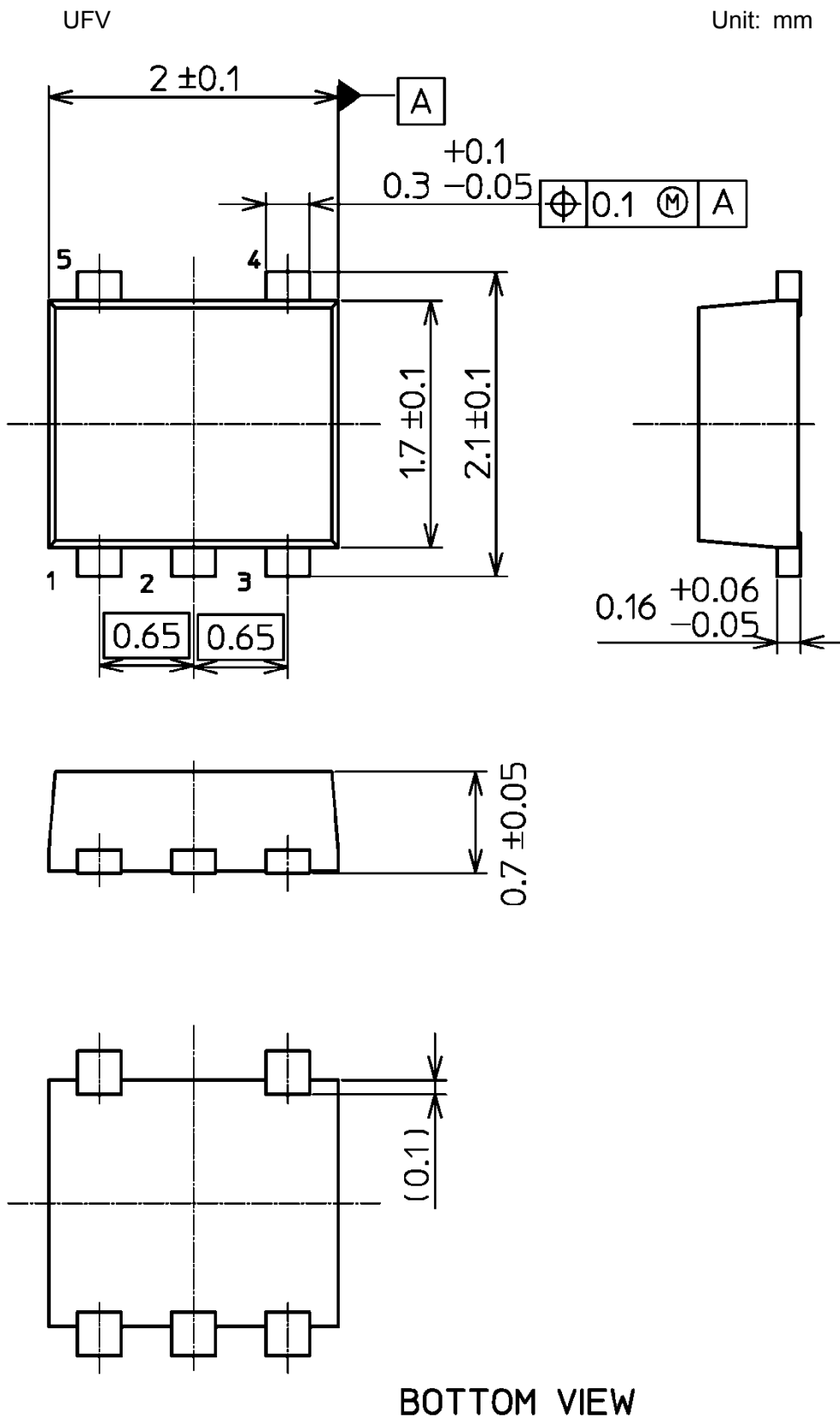


The above characteristics curves are presented for reference only and not guaranteed by production test, unless otherwise noted.



The above characteristics curves are presented for reference only and not guaranteed by production test, unless otherwise noted.

Package Dimensions



Weight: 7 mg (typ.)

RESTRICTIONS ON PRODUCT USE

Toshiba Corporation and its subsidiaries and affiliates are collectively referred to as "TOSHIBA". Hardware, software and systems described in this document are collectively referred to as "Product".

- TOSHIBA reserves the right to make changes to the information in this document and related Product without notice.
- This document and any information herein may not be reproduced without prior written permission from TOSHIBA. Even with TOSHIBA's written permission, reproduction is permissible only if reproduction is without alteration/omission.
- Though TOSHIBA works continually to improve Product's quality and reliability, Product can malfunction or fail. Customers are responsible for complying with safety standards and for providing adequate designs and safeguards for their hardware, software and systems which minimize risk and avoid situations in which a malfunction or failure of Product could cause loss of human life, bodily injury or damage to property, including data loss or corruption. Before customers use the Product, create designs including the Product, or incorporate the Product into their own applications, customers must also refer to and comply with (a) the latest versions of all relevant TOSHIBA information, including without limitation, this document, the specifications, the data sheets and application notes for Product and the precautions and conditions set forth in the "TOSHIBA Semiconductor Reliability Handbook" and (b) the instructions for the application with which the Product will be used with or for. Customers are solely responsible for all aspects of their own product design or applications, including but not limited to (a) determining the appropriateness of the use of this Product in such design or applications; (b) evaluating and determining the applicability of any information contained in this document, or in charts, diagrams, programs, algorithms, sample application circuits, or any other referenced documents; and (c) validating all operating parameters for such designs and applications. **TOSHIBA ASSUMES NO LIABILITY FOR CUSTOMERS' PRODUCT DESIGN OR APPLICATIONS.**
- **PRODUCT IS NEITHER INTENDED NOR WARRANTED FOR USE IN EQUIPMENTS OR SYSTEMS THAT REQUIRE EXTRAORDINARILY HIGH LEVELS OF QUALITY AND/OR RELIABILITY, AND/OR A MALFUNCTION OR FAILURE OF WHICH MAY CAUSE LOSS OF HUMAN LIFE, BODILY INJURY, SERIOUS PROPERTY DAMAGE AND/OR SERIOUS PUBLIC IMPACT ("UNINTENDED USE").** Except for specific applications as expressly stated in this document, Unintended Use includes, without limitation, equipment used in nuclear facilities, equipment used in the aerospace industry, lifesaving and/or life supporting medical equipment, equipment used for automobiles, trains, ships and other transportation, traffic signaling equipment, equipment used to control combustions or explosions, safety devices, elevators and escalators, and devices related to power plant. **IF YOU USE PRODUCT FOR UNINTENDED USE, TOSHIBA ASSUMES NO LIABILITY FOR PRODUCT.** For details, please contact your TOSHIBA sales representative or contact us via our website.
- Do not disassemble, analyze, reverse-engineer, alter, modify, translate or copy Product, whether in whole or in part.
- Product shall not be used for or incorporated into any products or systems whose manufacture, use, or sale is prohibited under any applicable laws or regulations.
- The information contained herein is presented only as guidance for Product use. No responsibility is assumed by TOSHIBA for any infringement of patents or any other intellectual property rights of third parties that may result from the use of Product. No license to any intellectual property right is granted by this document, whether express or implied, by estoppel or otherwise.
- **ABSENT A WRITTEN SIGNED AGREEMENT, EXCEPT AS PROVIDED IN THE RELEVANT TERMS AND CONDITIONS OF SALE FOR PRODUCT, AND TO THE MAXIMUM EXTENT ALLOWABLE BY LAW, TOSHIBA (1) ASSUMES NO LIABILITY WHATSOEVER, INCLUDING WITHOUT LIMITATION, INDIRECT, CONSEQUENTIAL, SPECIAL, OR INCIDENTAL DAMAGES OR LOSS, INCLUDING WITHOUT LIMITATION, LOSS OF PROFITS, LOSS OF OPPORTUNITIES, BUSINESS INTERRUPTION AND LOSS OF DATA, AND (2) DISCLAIMS ANY AND ALL EXPRESS OR IMPLIED WARRANTIES AND CONDITIONS RELATED TO SALE, USE OF PRODUCT, OR INFORMATION, INCLUDING WARRANTIES OR CONDITIONS OF MERCHANTABILITY, FITNESS FOR A PARTICULAR PURPOSE, ACCURACY OF INFORMATION, OR NONINFRINGEMENT.**
- Do not use or otherwise make available Product or related software or technology for any military purposes, including without limitation, for the design, development, use, stockpiling or manufacturing of nuclear, chemical, or biological weapons or missile technology products (mass destruction weapons). Product and related software and technology may be controlled under the applicable export laws and regulations including, without limitation, the Japanese Foreign Exchange and Foreign Trade Law and the U.S. Export Administration Regulations. Export and re-export of Product or related software or technology are strictly prohibited except in compliance with all applicable export laws and regulations.
- Please contact your TOSHIBA sales representative for details as to environmental matters such as the RoHS compatibility of Product. Please use Product in compliance with all applicable laws and regulations that regulate the inclusion or use of controlled substances, including without limitation, the EU RoHS Directive. **TOSHIBA ASSUMES NO LIABILITY FOR DAMAGES OR LOSSES OCCURRING AS A RESULT OF NONCOMPLIANCE WITH APPLICABLE LAWS AND REGULATIONS.**

Toshiba Electronic Devices & Storage Corporation

<https://toshiba.semicon-storage.com/>

单击下面可查看定价，库存，交付和生命周期等信息

[>>Toshiba\(东芝\)](#)