

TLP2166A

Plasma Display Panels (PDPs)

High-Speed Interfaces

3.3-V Voltage Source

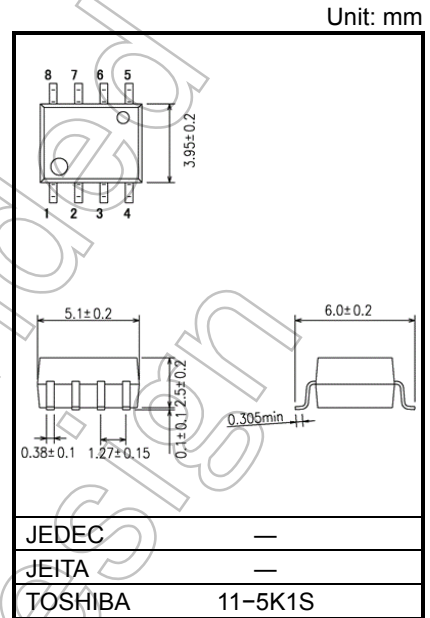
The Toshiba TLP2166A consists of an infrared emitting diode and an integrated high-gain, high-speed photodetector. The TLP2166A is housed in the 8-pin SO package. Since the TLP2166A contains two photocouplers, it saves board space. The TLP2166A operates with a 3.3-V supply voltage.

- Inverting logic output (totem-pole output)
- SO8 package
- Guaranteed performance over -40 to 100°C
- Power supply voltage: 3.0 to 3.6 V
- Input threshold current: $I_{FHL} = 3 \text{ mA (max)}$
- Switching time (t_{pHL} / t_{pLH}): 75 ns (max)
- Switching speed: 15 MBd (typ.)(NRZ)
- Common-mode transient immunity: $\pm 15 \text{ kV}/\mu\text{s}$
- Isolation voltage: 2500 V_{RMS}
- UL-recognized: UL 1577, File No.E67349
- cUL-recognized: CSA Component Acceptance Service No.5A File No.E67349
- VDE-approved: EN 60747-5-5 (Note 1)

Note 1 : When a VDE approved type is needed, please designate the **Option(V4)**.

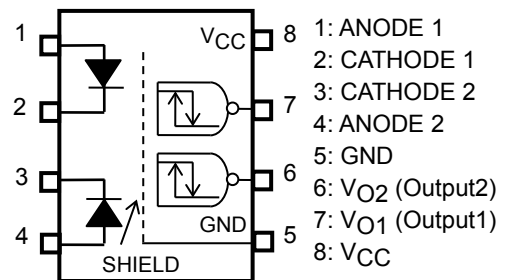
Truth Table

Input	LED1(2)	M1(3)	M2(4)	Output 1(2)
H	ON	OFF	ON	L
L	OFF	ON	OFF	H

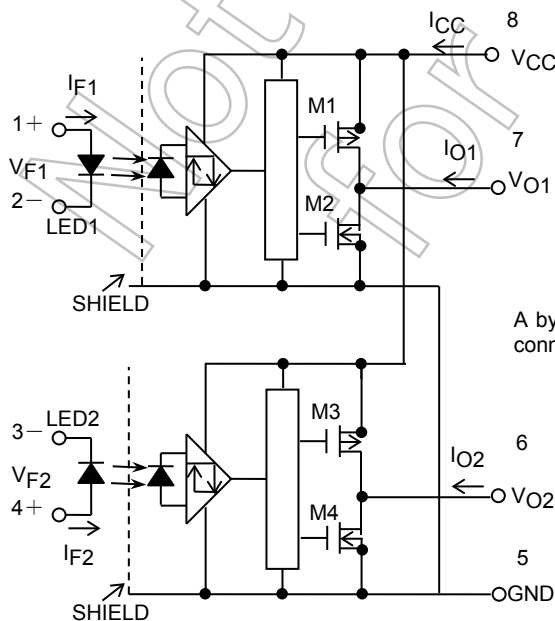


Weight: 0.11 g (typ.)

Pin Configuration (Top View)



Schematic



A bypass capacitor of 0.1 μ F must be connected between pins 8 and 5.

Start of commercial production
2008-07

Absolute Maximum Ratings (Ta=25°C)

CHARACTERISTIC		SYMBOL	RATING	UNIT
LED	Forward Current (Note 1)	I _F	15	mA
	Forward Current Derating (Ta ≥ 95°C) (Note 1)	ΔI _F /ΔTa	-0.5	mA/°C
	Peak Transient Forward Current (Note 1, 2)	I _{FP}	1	A
	Reverse Voltage (Note 1)	V _R	5	V
	Input Power Dissipation (Note 1)	P _D	40	mW
	Input Power Dissipation Derating (Ta ≥ 95°C) (Note 1)	ΔP _D /°C	-1.3	mW/°C
DETECTOR	Output Current (Note 1)	I _O	10	mA
	Output Voltage (Note 1)	V _O	6	V
	Supply Voltage	V _{CC}	6	V
	Output Power Dissipation	P _O	40	mW
	Output Power Dissipation Derating (Ta ≥ 25°C)	ΔP _O /°C	-0.4	mW/°C
Operating Temperature Range		T _{opr}	-40 to 100	°C
Storage Temperature Range		T _{stg}	-55 to 125	°C
Lead Soldering Temperature (10 s)		T _{sol}	260	°C
Isolation Voltage (AC, 60 s, R.H. ≤ 60 %) (Note 3)		BV _S	2500	V _{rms}

Note: Using continuously under heavy loads (e.g. the application of high temperature/current/voltage and the significant change in temperature, etc.) may cause this product to decrease in the reliability significantly even if the operating conditions (i.e. operating temperature/current/voltage, etc.) are within the absolute maximum ratings. Please design the appropriate reliability upon reviewing the Toshiba Semiconductor Reliability Handbook ("Handling Precautions"/"Derating Concept and Methods") and individual reliability data (i.e. reliability test report and estimated failure rate, etc).

Note 1: Each Channel.

Note 2: Pulse width ≤ 1 μs, 300 pps.

Note 3: This device is regarded as a two terminal device: pins 1, 2, 3 and 4 are shorted together, as are pins 5, 6, 7 and 8.

Recommended Operating Conditions

CHARACTERISTIC	SYMBOL	MIN	TYP.	MAX	UNIT
Input Current, ON (Note 1)	I _{F(ON)}	5	—	10	mA
Input Voltage, OFF (Note 1)	V _{F(OFF)}	0	—	0.8	V
Supply Voltage* (Note 4)	V _{CC}	3.0	3.3	3.6	V
Operating Temperature	T _{opr}	-40	—	100	°C

* This item denotes operating range, not meaning of recommended operating conditions.

Note 4: The detector of this product requires a power supply voltage (V_{CC}) of 3.0 V or higher for stable operation.

If the V_{CC} is lower than this value, an ICCH may increase, or an output may be unstable.

Be sure to use the product after checking the supply current, and the operation of a power-on/-off

Note: A ceramic capacitor (0.1 μF) should be connected from pin 8 (V_{CC}) to pin 5 (GND) to stabilize the operation of the high gain linear amplifier. Failure to provide the bypass may impair the switching property.

The total lead length between capacitor and coupler should not exceed 1 cm.

Electrical Characteristics

(Unless otherwise specified, Ta = -40 to 100 °C, VCC = 3.0 to 3.6 V)

Characteristic	Symbol	Test Circuit	Condition	Min	Typ.	Max	Unit
Input Forward Voltage (Note 1)	V _F	—	I _F = 10 mA, Ta = 25 °C	1.3	1.65	1.75	V
Temperature Coefficient of Forward Voltage (Note 1)	ΔV _F /ΔTa	—	I _F = 10 mA	—	-2.0	—	mV/°C
Input Reverse Current (Note 1)	I _R	—	V _R = 5 V, Ta = 25 °C	—	—	10	μA
Input Capacitance (Note 1)	C _T	—	V = 0 V, f = 1 MHz, Ta = 25 °C	—	45	—	pF
Logic Low Output Voltage (Note 1)	V _{OL}	1	I _{OL} = 1.6 mA, I _F = 10 mA, V _{CC} = 3.3 V	—	0.3	0.6	V
Logic High Output Voltage (Note 1)	V _{OH}	2	I _{OH} = -0.02 mA, V _F = 1.05 V, V _{CC} = 3.3 V	2.0	2.6	—	V
Logic Low Supply Current	I _{CCL}	3	I _F = 10 mA	—	7.0	10.0	mA
Logic High Supply Current	I _{CCH}	4	V _F = 0 V (Note 4)	—	4.0	10.0	mA
Operating Supply Voltage	V _{CC}	—	—	3.0	—	3.6	V
Input Current Logic Low Output (Note 1)	I _{FHL}	—	I _O = 1.6 mA, V _O < 0.6 V	—	—	3	mA
Input Voltage Logic High Output (Note 1)	V _{FLH}	—	I _O = -0.02 mA, V _O > 2.0 V	0.8	—	—	V

*All typical values are at Ta=25°C.

Isolation Characteristics (Ta = 25°C)

Characteristic	Symbol	Test Condition	Min	Typ.	Max	Unit
Capacitance input to output	C _S	V _S = 0 V, f = 1 MHz (Note 3)	—	0.8	—	pF
Isolation resistance	R _S	R.H. ≤ 60 %, V _S = 500 V (Note 3)	1×10 ¹²	10 ¹⁴	—	Ω
Isolation voltage	B _V S	AC, 60 s (Note 3)	2500	—	—	V _{rms}

Switching Characteristics

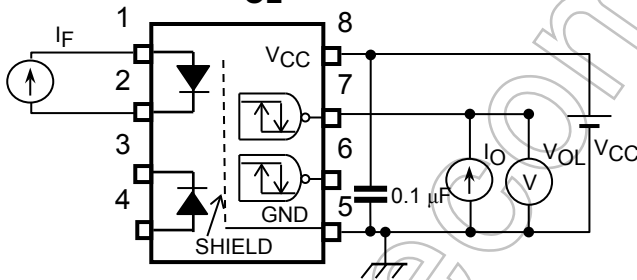
(Unless otherwise specified, $T_a = -40$ to 100°C , $V_{CC} = 3.0$ to 3.6 V)(Each Channel)

Characteristic	Symbol	Test Circuit	Condition	Min	Typ.	Max	Unit
Propagation Delay Time to Logic Low output	t_{pHL}	5	$I_F = 0 \rightarrow 7.5$ mA	—	—	75	ns
Propagation Delay Time to Logic High output	t_{pLH}		$I_F = 7.5 \rightarrow 0$ mA				
Switching Time Dispersion between ON and OFF	$ t_{pHL} - t_{pLH} $		$I_F = 7.5$ mA, $R_{IN} = 100 \Omega$, $C_L = 15$ pF (Note 6)	—	—	45	ns
Fall Time (90 – 10 %)	t_f		$I_F = 0 \rightarrow 7.5$ mA	—	5	—	ns
Rise Time (10 – 90 %)	t_r		$I_F = 7.5 \rightarrow 0$ mA				
Common Mode transient Immunity at High Level Output	CM_H	6	$V_{CM} = 1000$ V _{p-p} , $I_F = 0$ mA, $V_O(\text{min}) = 2$ V, $T_a = 25^\circ\text{C}$	15000	—	—	V/ μs
Common Mode transient Immunity at Low Level Output	CM_L		$V_{CM} = 1000$ V _{p-p} , $I_F = 7.5$ mA, $V_O(\text{max}) = 0.6$ V, $T_a = 25^\circ\text{C}$	-15000	—	—	V/ μs

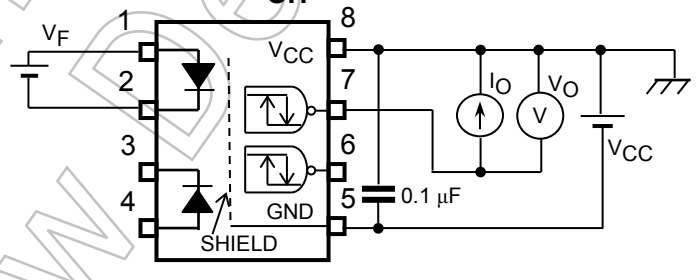
*All typical values are at $T_a = 25^\circ\text{C}$, $V_{CC} = 3.3$ V.

Note 6: C_L is approximately 15 pF which includes probe and jig/stray wiring capacitance.

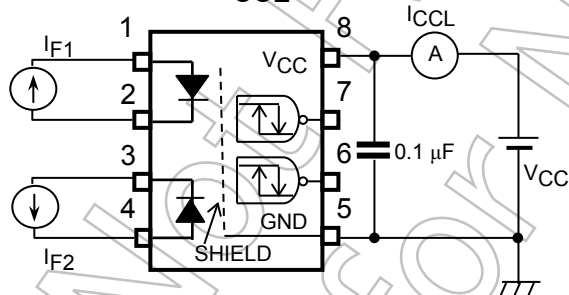
TEST CIRCUIT 1: V_{OL} Test Circuit



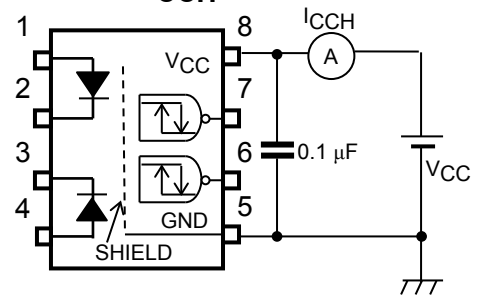
TEST CIRCUIT 2: V_{OH} Test Circuit



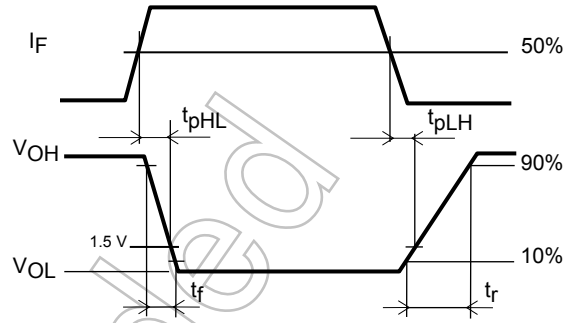
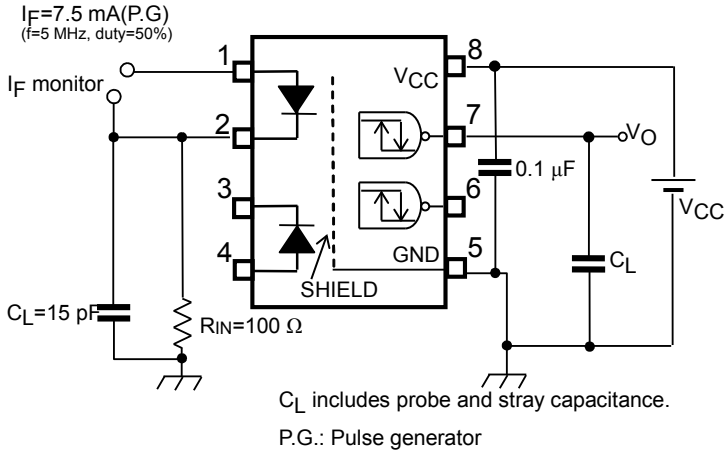
TEST CIRCUIT 3: I_{CCL} Test Circuit



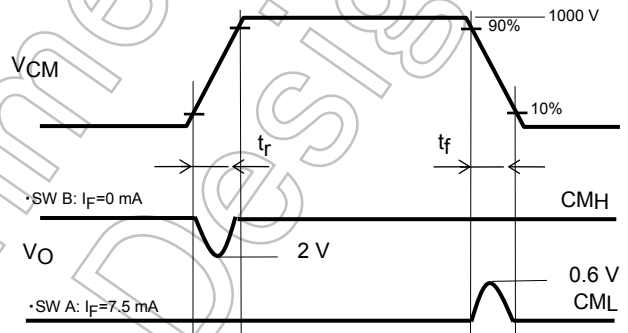
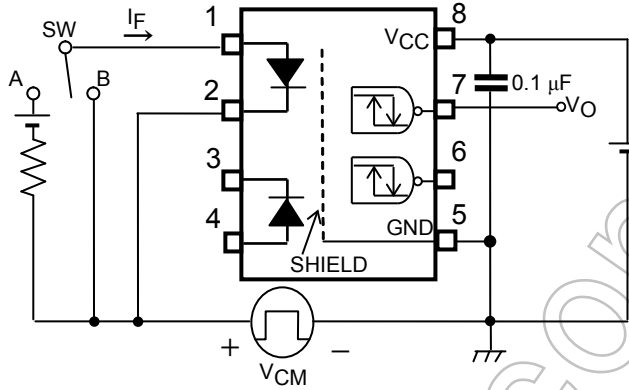
TEST CIRCUIT 4: I_{CCH} Test Circuit



TEST CIRCUIT 5: Switching Time Test Circuit



TEST CIRCUIT 6: Common-Mode Transient Immunity Test Circuit



$$CM_H = \frac{800(V)}{tr(\mu s)} \quad CM_L = \frac{800(V)}{tf(\mu s)}$$

Specification for Embossed–Tape Packing (TP) for SO8 Coupler

1. Applicable Package

Package	Product Type
SO8	Photocoupler

2. Product Naming System

Type of package used for shipment is denoted by a symbol suffix after a product number. The method of classification is as below.

(Example)



3. Tape Dimensions

3.1 Orientation of Device in Relation to Direction of Tape Movement

Device orientation in the recesses is as shown in Figure 1.

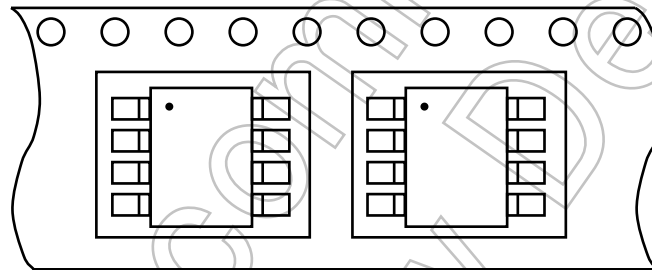


Figure 1 Device Orientation

3.2 Tape Packing Quantity: 2500 devices per reel

3.3 Empty Device Recesses Are as Shown in Table 1.

Table 1 Empty Device Recesses

	Standard	Remarks
Occurrences of 2 or more successive empty device recesses	0 device	Within any given 40-mm section of tape, not including leader and trailer
Single empty device recesses	6 devices (max) per reel	Not including leader and trailer

3.4 Start and End of Tape

The start of the tape has 50 or more empty holes. The end of tape has 50 or more empty holes and two empty turns only for a cover tape.

3.5 Tape Specification

- (1) Tape material: Plastic (protection against electrostatics)
- (2) Dimensions: The tape dimensions are as shown in Figure 2 and table 2.

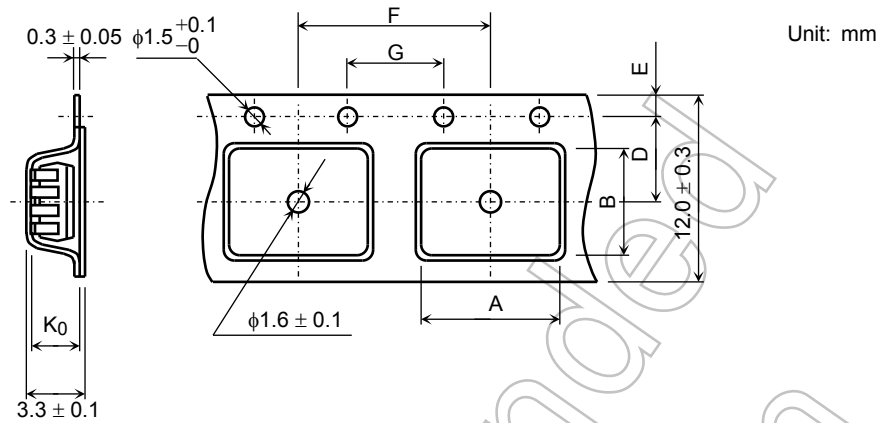


Figure 2 Tape Forms

Table 2 Tape Dimensions

Unit: mm
Unless otherwise specified: ±0.1

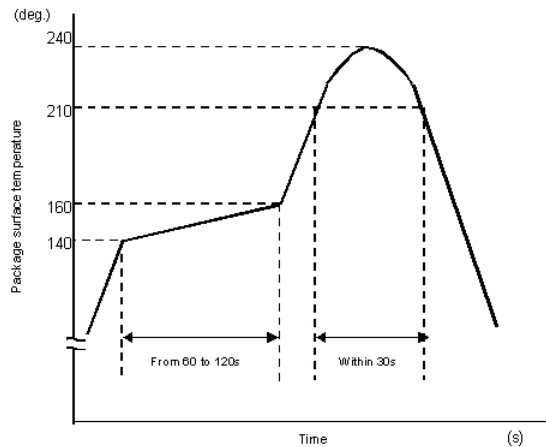
Symbol	Dimension	Remark
A	6.5	—
B	5.6	—
D	5.5	Center line of indented square hole and sprocket hole
E	1.75	Distance between tape edge and hole center
F	8.0	Cumulative error $\begin{matrix} +0.1 \\ -0.3 \end{matrix}$ (max) per 10 feed holes
G	4.0	Cumulative error $\begin{matrix} +0.1 \\ -0.3 \end{matrix}$ (max) per 10 feed holes
K ₀	3.1	Internal space

Precautions of Surface Mounting Type Photocoupler Soldering & General Storage

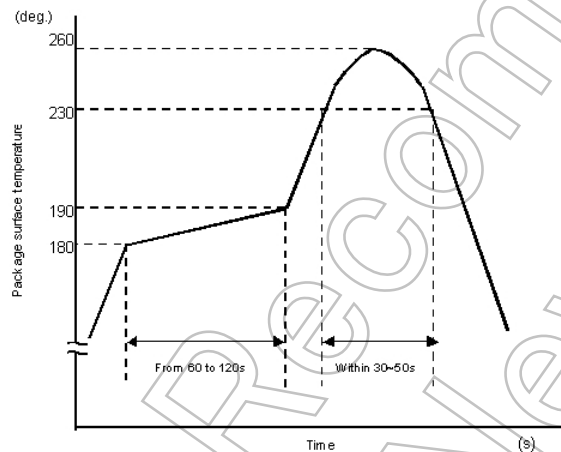
(1) Precautions for Soldering

1) When Using Soldering Reflow

- An example of a temperature profile when Sn-Pb eutectic solder is used:



- An example of a temperature profile when lead(Pb)-free solder is used:



- Reflow soldering must be performed once or twice.
- The mounting should be completed with the interval from the first to the last mountings being 2 weeks.

2) When using soldering Flow (Applicable to both eutectic solder and Lead(Pb)-Free solder)

- Apply preheating of 150 °C for 60 to 120 seconds.
- Mounting condition of 260 °C or less within 10 seconds is recommended.
- Flow soldering must be performed once

3) When using soldering Iron (Applicable to both eutectic solder and Lead(Pb)-Free solder)

- Complete soldering within 10 seconds for lead temperature not exceeding °C or within 3 seconds not exceeding 350 °C.
- Heating by soldering iron must be only once per 1 lead

(2) Precautions for General Storage

- 1) Do not store devices at any place where they will be exposed to moisture or direct sunlight.
- 2) When transportation or storage of devices, follow the cautions indicated on the carton box.
- 3) The storage area temperature should be kept within a temperature range of 5 °C to 35 °C, and relative humidity should be maintained at between 45% and 75%.
- 4) Do not store devices in the presence of harmful (especially corrosive) gases, or in dusty conditions.
- 5) Use storage areas where there is minimal temperature fluctuation. Because rapid temperature changes can cause condensation to occur on stored devices, resulting in lead oxidation or corrosion, as a result, the solderability of the leads will be degraded.
- 6) When repacking devices, use anti-static containers.
- 7) Do not apply any external force or load directly to devices while they are in storage.
- 8) If devices have been stored for more than two years, even though the above conditions have been followed, it is recommended that solderability of them should be tested before they are used.

Not Recommended for New Design

RESTRICTIONS ON PRODUCT USE

Toshiba Corporation and its subsidiaries and affiliates are collectively referred to as "TOSHIBA". Hardware, software and systems described in this document are collectively referred to as "Product".

- TOSHIBA reserves the right to make changes to the information in this document and related Product without notice.
- This document and any information herein may not be reproduced without prior written permission from TOSHIBA. Even with TOSHIBA's written permission, reproduction is permissible only if reproduction is without alteration/omission.
- Though TOSHIBA works continually to improve Product's quality and reliability, Product can malfunction or fail. Customers are responsible for complying with safety standards and for providing adequate designs and safeguards for their hardware, software and systems which minimize risk and avoid situations in which a malfunction or failure of Product could cause loss of human life, bodily injury or damage to property, including data loss or corruption. Before customers use the Product, create designs including the Product, or incorporate the Product into their own applications, customers must also refer to and comply with (a) the latest versions of all relevant TOSHIBA information, including without limitation, this document, the specifications, the data sheets and application notes for Product and the precautions and conditions set forth in the "TOSHIBA Semiconductor Reliability Handbook" and (b) the instructions for the application with which the Product will be used with or for. Customers are solely responsible for all aspects of their own product design or applications, including but not limited to (a) determining the appropriateness of the use of this Product in such design or applications; (b) evaluating and determining the applicability of any information contained in this document, or in charts, diagrams, programs, algorithms, sample application circuits, or any other referenced documents; and (c) validating all operating parameters for such designs and applications. **TOSHIBA ASSUMES NO LIABILITY FOR CUSTOMERS' PRODUCT DESIGN OR APPLICATIONS.**
- **PRODUCT IS NEITHER INTENDED NOR WARRANTED FOR USE IN EQUIPMENTS OR SYSTEMS THAT REQUIRE EXTRAORDINARILY HIGH LEVELS OF QUALITY AND/OR RELIABILITY, AND/OR A MALFUNCTION OR FAILURE OF WHICH MAY CAUSE LOSS OF HUMAN LIFE, BODILY INJURY, SERIOUS PROPERTY DAMAGE AND/OR SERIOUS PUBLIC IMPACT ("UNINTENDED USE").** Except for specific applications as expressly stated in this document, Unintended Use includes, without limitation, equipment used in nuclear facilities, equipment used in the aerospace industry, lifesaving and/or life supporting medical equipment, equipment used for automobiles, trains, ships and other transportation, traffic signaling equipment, equipment used to control combustions or explosions, safety devices, elevators and escalators, and devices related to power plant. **IF YOU USE PRODUCT FOR UNINTENDED USE, TOSHIBA ASSUMES NO LIABILITY FOR PRODUCT.** For details, please contact your TOSHIBA sales representative or contact us via our website.
- Do not disassemble, analyze, reverse-engineer, alter, modify, translate or copy Product, whether in whole or in part.
- Product shall not be used for or incorporated into any products or systems whose manufacture, use, or sale is prohibited under any applicable laws or regulations.
- The information contained herein is presented only as guidance for Product use. No responsibility is assumed by TOSHIBA for any infringement of patents or any other intellectual property rights of third parties that may result from the use of Product. No license to any intellectual property right is granted by this document, whether express or implied, by estoppel or otherwise.
- **ABSENT A WRITTEN SIGNED AGREEMENT, EXCEPT AS PROVIDED IN THE RELEVANT TERMS AND CONDITIONS OF SALE FOR PRODUCT, AND TO THE MAXIMUM EXTENT ALLOWABLE BY LAW, TOSHIBA (1) ASSUMES NO LIABILITY WHATSOEVER, INCLUDING WITHOUT LIMITATION, INDIRECT, CONSEQUENTIAL, SPECIAL, OR INCIDENTAL DAMAGES OR LOSS, INCLUDING WITHOUT LIMITATION, LOSS OF PROFITS, LOSS OF OPPORTUNITIES, BUSINESS INTERRUPTION AND LOSS OF DATA, AND (2) DISCLAIMS ANY AND ALL EXPRESS OR IMPLIED WARRANTIES AND CONDITIONS RELATED TO SALE, USE OF PRODUCT, OR INFORMATION, INCLUDING WARRANTIES OR CONDITIONS OF MERCHANTABILITY, FITNESS FOR A PARTICULAR PURPOSE, ACCURACY OF INFORMATION, OR NONINFRINGEMENT.**
- GaAs (Gallium Arsenide) is used in Product. GaAs is harmful to humans if consumed or absorbed, whether in the form of dust or vapor. Handle with care and do not break, cut, crush, grind, dissolve chemically or otherwise expose GaAs in Product.
- Do not use or otherwise make available Product or related software or technology for any military purposes, including without limitation, for the design, development, use, stockpiling or manufacturing of nuclear, chemical, or biological weapons or missile technology products (mass destruction weapons). Product and related software and technology may be controlled under the applicable export laws and regulations including, without limitation, the Japanese Foreign Exchange and Foreign Trade Law and the U.S. Export Administration Regulations. Export and re-export of Product or related software or technology are strictly prohibited except in compliance with all applicable export laws and regulations.
- Please contact your TOSHIBA sales representative for details as to environmental matters such as the RoHS compatibility of Product. Please use Product in compliance with all applicable laws and regulations that regulate the inclusion or use of controlled substances, including without limitation, the EU RoHS Directive. **TOSHIBA ASSUMES NO LIABILITY FOR DAMAGES OR LOSSES OCCURRING AS A RESULT OF NONCOMPLIANCE WITH APPLICABLE LAWS AND REGULATIONS.**

单击下面可查看定价，库存，交付和生命周期等信息

[>>Toshiba\(东芝\)](#)