

Toshiba BiCD process integrated circuit silicon monolithic

TB67H401FTG

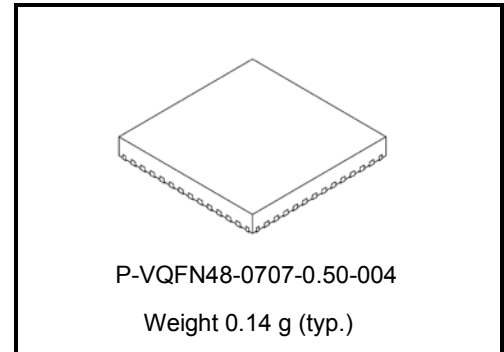
Brushed DC Motor driver with Dual H-bridge mode

The TB67H401FTG is a brushed DC motor driver with dual integrated H-bridges. The internal H-bridges can be controlled independently.

Fabricated with the BiCD process, the TB67H401FTG is rated at 50 V, 3.0 A/ch.

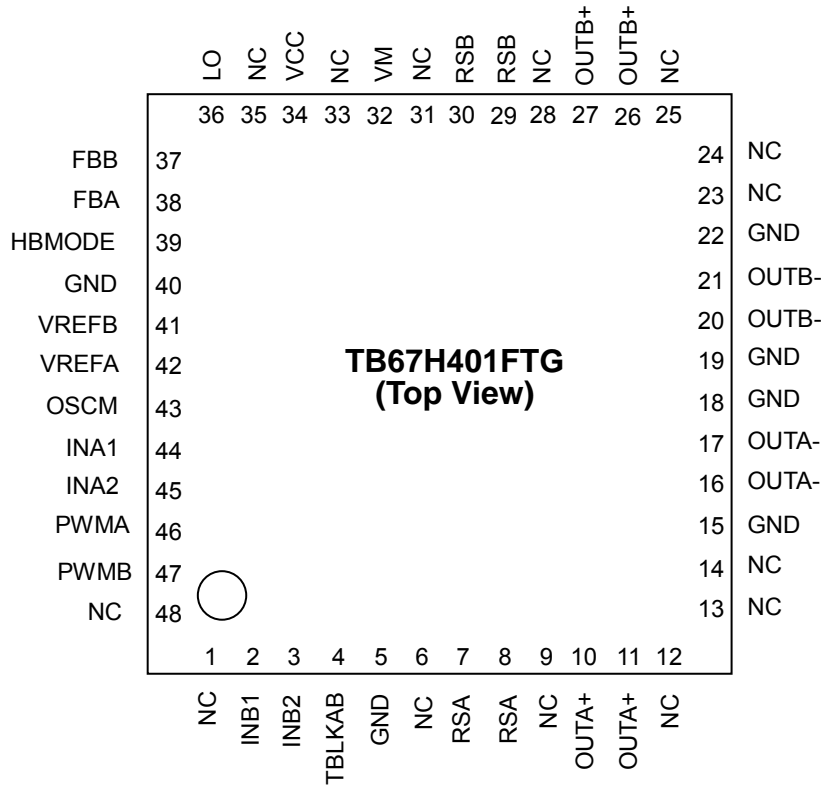
Features

- Supporting 50 V, 3.0 A/ch 2 brushed DC motor operation
- Capable of driving two brushed DC motors using dual H-Bridge mode (3.0 A/ch)
- Capable of driving one brushed DC motor with large current, using single H-bridge mode (6.0 A)
- Current limit and current limit detection output for each H-bridge
- Low Ron (on) MOSFETs (High side + Low side=0.49 Ω (typ.), in the dual H-bridge mode)
- Error detection features (Thermal shutdown (TSD), Over current detection (ISD), Power-on-reset (POR))
- Error detection signal output (Error Output)
- Internal VCC (5 V) regulator enables the driver to be operated with a single power supply (VM)
- Adjustable internal PWM frequency using external components
- Small package with thermal pad. (QFN48: 7.0 mm x 7.0 mm)



Note: Please consider the heat condition when using the TB67H401FTG.

Pin assignment



Note: Please solder the corner pad and the bottom thermal pad of the QFN package, to the GND pattern of the PCB.
 Note: Pin names in the above figure are in the state when HBMODE pin is low level.

Pin description

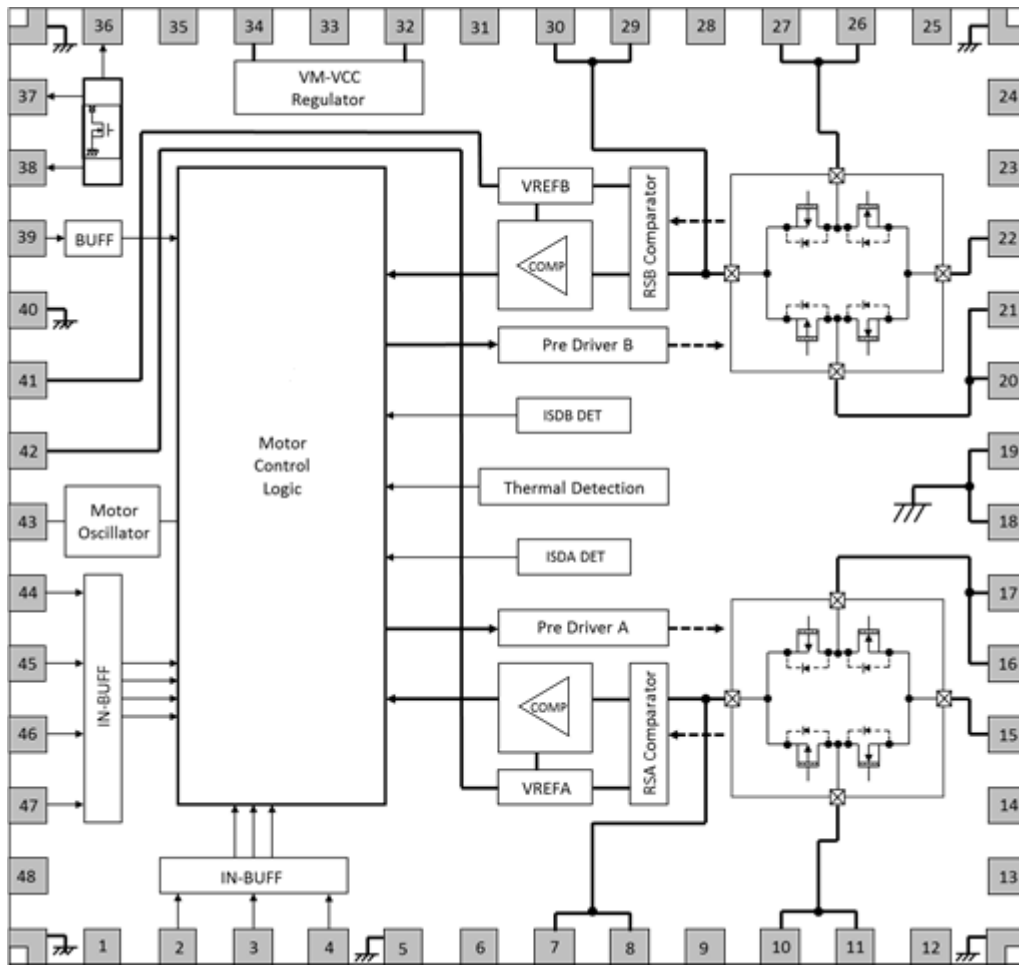
| HBMODE=Low | | | HBMODE=High | | |
|------------|----------|---|-------------|----------|---|
| Pin No. | Pin name | Pin function | Pin No. | Pin name | Pin function |
| 1 | NC | Non connection | 1 | NC | Non connection |
| 2 | INB1 | H-bridge control pin No.1 for Bch | 2 | NC | Non connection |
| 3 | INB2 | H-bridge control pin No.2 for Bch | 3 | NC | Non connection |
| 4 | TBLKAB | Noise filter setting pin for constant current circuit | 4 | TBLK | Noise filter setting pin for constant current circuit |
| 5 | GND | Ground pin | 5 | GND | Ground pin |
| 6 | NC | Non connection | 6 | NC | Non connection |
| 7 | RSA | Current sense pin for Ach | 7 | RS | Current sense pin |
| 8 | RSA | Current sense pin for Ach | 8 | RS | Current sense pin |
| 9 | NC | Non connection | 9 | NC | Non connection |
| 10 | OUTA+ | Motor output (+) pin for Ach | 10 | OUT+ | Motor output (+) pin |
| 11 | OUTA+ | Motor output (+) pin for Ach | 11 | OUT+ | Motor output (+) pin |
| 12 | NC | Non connection | 12 | NC | Non connection |
| 13 | NC | Non connection | 13 | NC | Non connection |
| 14 | NC | Non connection | 14 | NC | Non connection |
| 15 | GND | Power ground pin for H-bridge | 15 | GND | Power ground pin for H-bridge |
| 16 | OUTA- | Motor output (-) pin for Ach | 16 | OUT+ | Motor output (+) pin |
| 17 | OUTA- | Motor output (-) pin for Ach | 17 | OUT+ | Motor output (+) pin |
| 18 | GND | Ground pin | 18 | GND | Ground pin |
| 19 | GND | Ground pin | 19 | GND | Ground pin |
| 20 | OUTB- | Motor output (-) pin for Bch | 20 | OUT- | Motor output (-) pin |
| 21 | OUTB- | Motor output (-) pin for Bch | 21 | OUT- | Motor output (-) pin |
| 22 | GND | Power ground pin for H-bridge | 22 | GND | Power ground pin for H-bridge |
| 23 | NC | Non connection | 23 | NC | Non connection |
| 24 | NC | Non connection | 24 | NC | Non connection |
| 25 | NC | Non connection | 25 | NC | Non connection |
| 26 | OUTB+ | Motor output (+) pin for Bch | 26 | OUT- | Motor output (-) pin |
| 27 | OUTB+ | Motor output (+) pin for Bch | 27 | OUT- | Motor output (-) pin |
| 28 | NC | Non connection | 28 | NC | Non connection |
| 29 | RSB | Current sense pin for Bch | 29 | RS | Current sense pin |
| 30 | RSB | Current sense pin for Bch | 30 | RS | Current sense pin |
| 31 | NC | Non connection | 31 | NC | Non connection |
| 32 | VM | Motor power supply pin | 32 | VM | Motor power supply pin |
| 33 | NC | Non connection | 33 | NC | Non connection |
| 34 | VCC | Internal regulator voltage monitor pin | 34 | VCC | Internal regulator voltage monitor pin |
| 35 | NC | Non connection | 35 | NC | Non connection |
| 36 | LO | Error detection flag | 36 | LO | Error detection flag |
| 37 | FBB | Current detection flag for Bch | 37 | GND | Need GND connect |
| 38 | FBA | Current detection flag for Ach | 38 | FB | Current detection flag |
| 39 | HBMODE | H-bridge drive mode setting pin | 39 | HBMODE | H-bridge drive mode setting pin |
| 40 | GND | Ground pin | 40 | GND | Ground pin |
| 41 | VREFB | Current threshold reference pin for Bch | 41 | GND | Need GND connect |
| 42 | VREFA | Current threshold reference pin for Ach | 42 | VREF | Current threshold reference pin |
| 43 | OSCM | Internal oscillator frequency setting pin | 43 | OSCM | Internal oscillator frequency setting pin |
| 44 | INA1 | H-bridge control pin No.1 for Ach | 44 | IN1 | H-bridge control pin No.1 |
| 45 | INA2 | H-bridge control pin No.2 for Ach | 45 | IN2 | H-bridge control pin No.2 |
| 46 | PWMA | Short brake pin for Ach | 46 | PWM | Short brake pin |
| 47 | PWMB | Short brake pin for Bch | 47 | NC | Non connection |
| 48 | NC | Non connection | 48 | NC | Non connection |

Note: Please do not connect any PCB pattern to the NC pins.

Note: For pins with the same pin name; tie the pins together at the nearest point of the IC.

Note: Some pin names are written differently depending on the state of HBMODE. Hereafter, they are unified in the state when HBMODE is low level.

Block diagram



Some of the functional blocks, circuits, or constants in the block diagram may be omitted or simplified for explanatory purpose.

Note: When using TB67H401FTG, the GND pattern of PCB should be a solid pattern and be externally terminated at only one point. Also, a grounding method should be considered for efficient heat dissipation.

Careful attention should be paid to the layout of the output, VM and GND traces, to avoid short circuits across output pins or to the power supply or ground. If such a short circuit occurs, the device may be permanently damaged.

Also, the utmost care should be taken for pattern designing and implementation of the device since it has power supply pins (VM, GND, OUT+, OUT-) through which a particularly large current may run. If these pins are wired incorrectly, an operation error may occur or the device may be destroyed.

The logic input pins must also be wired correctly. Otherwise, the device may be damaged owing to a current running through the IC that is larger than the specified current. Careful attention should be paid to design patterns and mountings.

Input/Output equivalent circuit 1

| Pin name | Input/Output signal | Input/Output equivalent circuit |
|--|---|---|
| TBLKAB HBMODE PWMA PWMB INA1 INA2 INB1 INB2 | Logic input pin voltage $0\text{ V} \leq V_{IN(L)} \leq 0.8\text{ V}$ $2.0\text{ V} \leq V_{IN(H)} \leq 5.5\text{ V}$ | <p>Logic input pin</p> <p>1 kΩ</p> <p>100 kΩ</p> <p>GND</p> |
| FBA FBB LO | Logic output pin $0\text{ V} \leq V_{O(L)} \leq 0.5\text{ V}$ $4.5\text{ V} \leq V_{O(H)} \leq 5.5\text{ V}$ | <p>Logic output pin</p> <p>10 kΩ to 100 kΩ</p> <p>VCC</p> |
| OSCM | OSCM frequency range $0.64\text{ MHz} \leq f_{OSCM} \leq 2.4\text{ MHz}$ | <p>VCC</p> <p>OSCM</p> <p>1 kΩ</p> <p>500 Ω</p> |

The equivalent circuit diagrams may be simplified or omitted for explanatory purposes.

Input/Output equivalent circuit 2

| Pin name | Input/Output signal | Input/Output equivalent circuit |
|--|--|---------------------------------|
| VCC VREFA VREFB | VCC voltage range $4.75\text{ V} \leq VCC \leq 5.25\text{ V}$ VREF input voltage range $GND \leq VREF \leq 4.0\text{ V}$ | |
| OUTA+ OUTA- OUTB+ OUTB- RSA RSB | VM operation voltage range $10\text{ V} \leq VM \leq 47\text{ V}$ Output pin voltage range $10\text{ V} \leq VM \leq 47\text{ V}$ | |

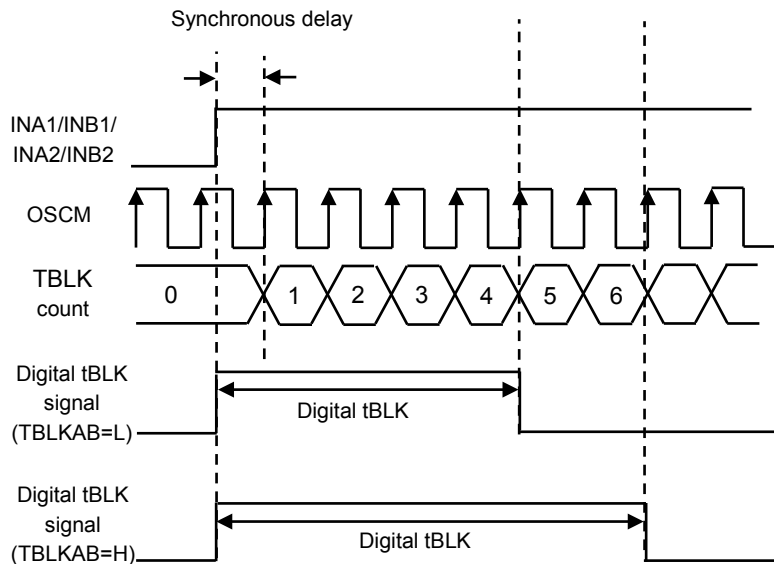
The equivalent circuit diagrams may be simplified or omitted for explanatory purposes.

◆Motor control functions

1. TBLKAB function

This pin will set the noise rejection time.

| TBLKAB | TBLK noise rejection time |
|--------|------------------------------|
| L | Digital tBLK = tOSCM × 4 clk |
| H | Digital tBLK = tOSCM × 6 clk |



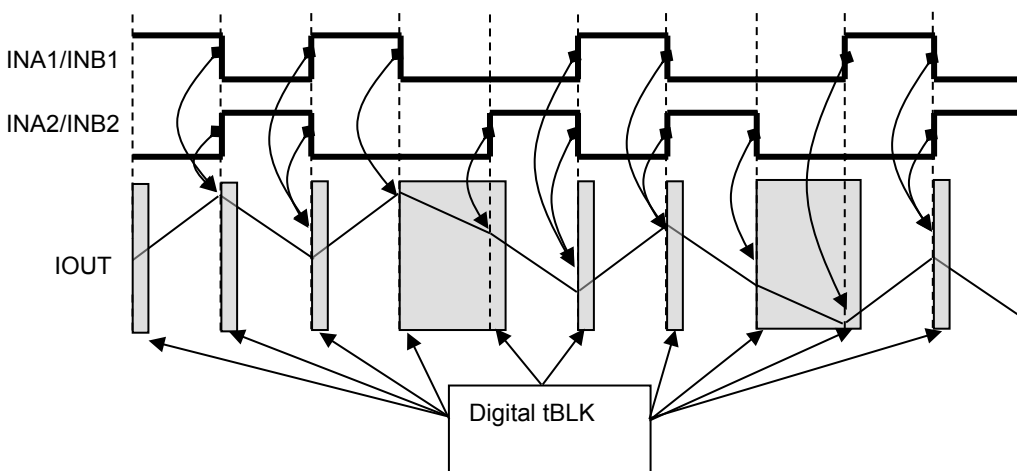
Please note that the timing charts or constants may be omitted or simplified for explanatory.

* The Digital tBLK is used to avoid error judgment of varistor recovery current that occurs in charge drive mode when H-bridges are used with DC motors. The Digital tBLK time can be controlled with TBLKAB pin.

By setting Digital tBLK, direct PWM control and constant current control is possible, but the motor current will rise above the predefined current level (NF) while digital tBLK is active.

* Besides Digital tBLK, Analog tBLK (400 ns (typ.)) settled by an internal constant of IC is also attached.

• Digital tBLK timing for Brushed DC Motor



The Digital tBLK is inserted at the beginning of each charge period of the constant current chopping, and also when either of INA1, INA2, INB1, or INB2 is switched.

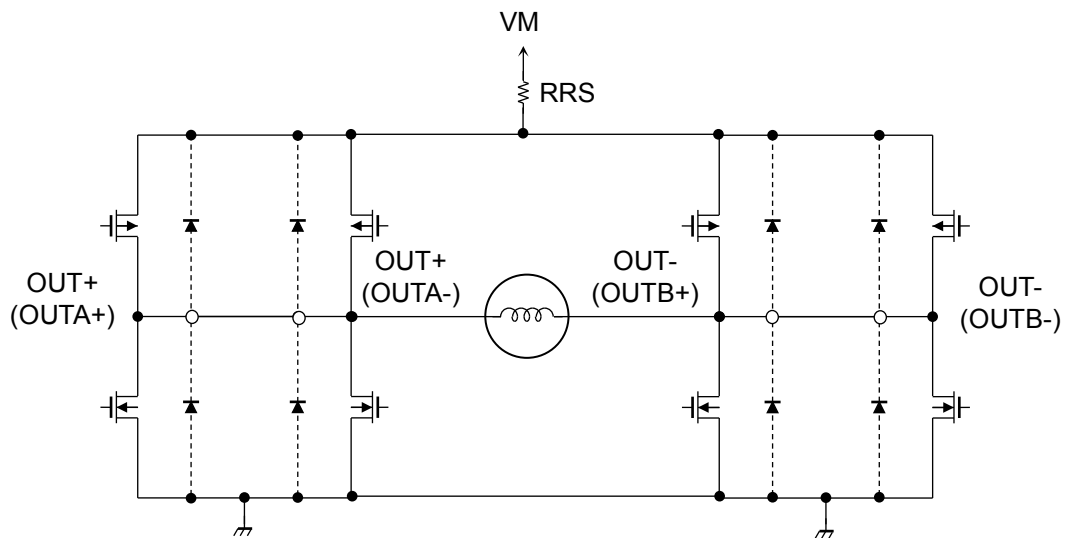
Please note that the timing charts or constants may be omitted or simplified for explanatory.

2. HBMODE function

Driving mode of the motor output is set by the HBMODE pin.

| HBMODE | Function |
|---------------------------|--|
| High (connect to VCC) | Single H-bridge mode (Two H-bridges are controlled in parallel as one H-bridge.) |
| Low (connect to GND) | Dual H-bridge mode (Two H-bridges are controlled individually.) |

HBMODE=High (Single H-bridge mode)



H-bridge function

| PWM | IN1 | IN2 | OUT+ | OUT- | Drive mode |
|------|------|------|------|------|------------------------|
| Low | Low | Low | Hi-Z | Hi-Z | Standby |
| | High | Low | Low | Low | Short brake |
| | Low | High | | | |
| | High | High | | | |
| High | Low | Low | Hi-Z | Hi-Z | STOP (OFF) |
| | High | Low | High | Low | CW (Forward rotation) |
| | Low | High | Low | High | CCW (Reverse rotation) |
| | High | High | Low | Low | Short brake |

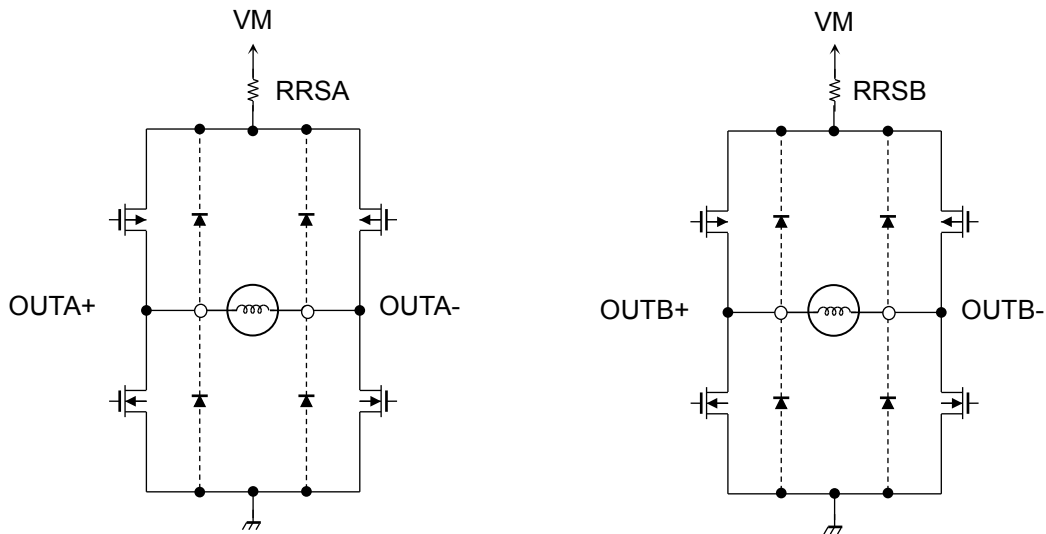
Note: When using the single H-bridge mode, the impedance within the PCB layout should be balanced. Also, there are multiple pins with the same pin name. For these pins (like VM, OUT+, OUT-, GND, RS, etc.) same named pins should be connected to each other.

Note: The logic input level of the HBMODE pin cannot be switched during operation. Therefore when setting the HBMODE pin to high, connect to the VCC, and when setting it to low, connect to the GND by PCB pattern. Switching the HBMODE pin while the motor is operating may damage or destroy the device and the motor.

Note: Control pins are different depending on the HBMODE pin setting. For details, please refer to the section '3. INA1/INB1, INA2/INB2, and PWMA/PWMB functions'.

Note: The internal circuits are designed to avoid EMF or leakage current; when the logic signal is applied while the VM is not. Please consider the control signal timing before supplying the VM.

HBMODE=Low (Dual H-bridge mode)



The equivalent circuit diagrams may be simplified or some parts of them may be omitted for explanatory purposes.

3. INA1/INB1, INA2/INB2, and PWMA/PWMB functions

H-bridges are controlled by INA1/INB1, INA2/INB2, and PWMA/PWMB pins. When HBMODE pin is set to high, both H-bridges are controlled by INA1, INA2, and PWMA pins; the INB1, INB2, and PWMB pins will be invalid (Don't care). When HBMODE is set to low, H-bridge Ach is controlled by INA1, INA2, and PWMA pins, and H-bridge Bch is controlled by INB1, INB2, and PWMB pins.

H-bridge (Ach) function

| PWMA | INA1 | INA2 | OUTA+ | OUTA- | Drive mode |
|------|------|------|-------|-------|------------------------|
| Low | Low | Low | Hi-Z | Hi-Z | (Note) |
| | High | Low | Low | Low | Short brake |
| | Low | High | | | |
| | High | High | | | |
| High | Low | Low | Hi-Z | Hi-Z | STOP (OFF) |
| | High | Low | High | Low | CW (Forward rotation) |
| | Low | High | Low | High | CCW (Reverse rotation) |
| | High | High | Low | Low | Short brake |

H-bridge (Bch) function

| PWMB | INB1 | INB2 | OUTB+ | OUTB- | Drive mode |
|------|------|------|-------|-------|------------------------|
| Low | Low | Low | Hi-Z | Hi-Z | (Note) |
| | High | Low | Low | Low | Short brake |
| | Low | High | | | |
| | High | High | | | |
| High | Low | Low | Hi-Z | Hi-Z | STOP (OFF) |
| | High | Low | High | Low | CW (Forward rotation) |
| | Low | High | Low | High | CCW (Reverse rotation) |
| | High | High | Low | Low | Short brake |

Note: When INA1, INA2, and PWMA are set to low, output pin of a H-bridge (Ach) will be Hi-Z. When INB1, INB2, and PWMB are set to low, output pin of a H-bridge (Bch) will be Hi-Z. The standby mode is only enabled when all 6 logic inputs (INA1, INA2, PWMA, INB1, INB2, and PWMB) are set to low. (When HBMODE pin is set to high, the standby mode will be enabled by setting all 3 inputs, INA1, INA2, and PWMA, to low.)

3-1. INA1/INB1, INA2/INB2, and PWMA/PWMB setting examples

There are 3 control signals (INA1/INB1, INA2/INB2, PWMA/PWMB) for each H-bridges, but will basically require only 1 or 2 signals to control each motor. Below are few examples of how you should control the motor using the control signals.

1 signal control. (ex. single direction control, forward rotation)

H-bridge function

| PWMA/PWMB | INA1/INB1 | INA2/INB2 | OUTA+/OUTB+ | OUTA-/OUTB- | Drive mode |
|-----------|------------|------------|-------------|-------------|-----------------------|
| Low | Low | Low | Hi-Z | Hi-Z | (Note) |
| | Tie to VCC | Tie to GND | Low | Low | Short brake |
| | Low | High | | | |
| | High | High | | | |
| High | Low | Low | Hi-Z | Hi-Z | STOP (OFF) |
| | Tie to VCC | Tie to GND | High | Low | CW (Forward rotation) |
| | Low | High | Low | High | CCW(Reverse rotation) |
| | High | High | Low | Low | Short brake |

If you only need to rotate the motor in a single direction, tie the INA1/INB1 to VCC and INA2/INB2 to GND and switch only the PWMA/PWMB pin. This will allow a single signal control of the motor.

2 signal control. (ex. both direction control, forward/reverse rotation)

H-bridge function

| PWMA/PWMB | INA1/INB1 | INA2/INB2 | OUTA+/OUTB+ | OUTA-/OUTB- | Drive mode |
|------------|-----------|-----------|-------------|-------------|-----------------------|
| Low | Low | Low | Hi-Z | Hi-Z | (Note) |
| | High | Low | Low | Low | Short brake |
| | Low | High | | | |
| | High | High | | | |
| Tie to VCC | Low | Low | Hi-Z | Hi-Z | STOP (OFF) |
| | High | Low | High | Low | CW (Forward rotation) |
| | Low | High | Low | High | CCW(Reverse rotation) |
| | High | High | Low | Low | Short brake |

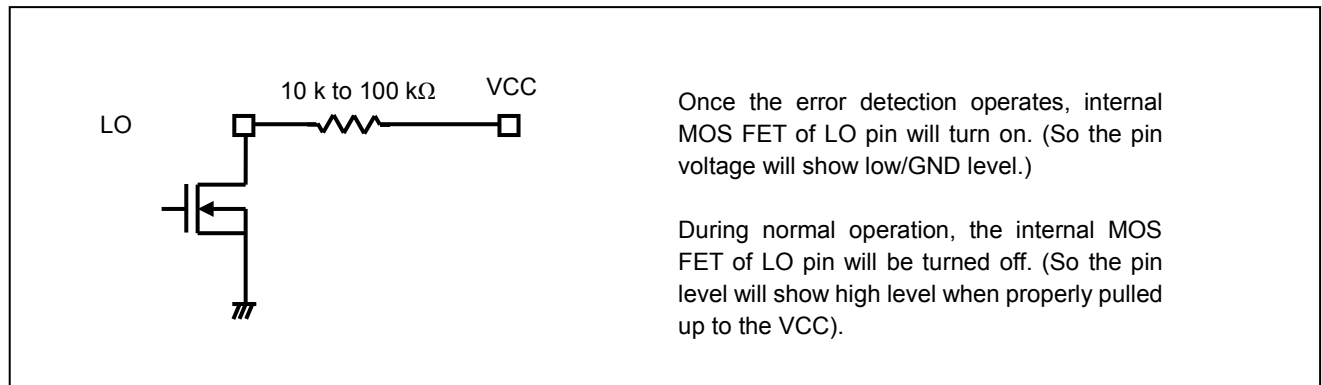
If you need to rotate the motor for both direction (forward and reverse), tie the PWMA/PWMB pin to VCC and switch the INA1/INB1 and INA2/INB2 pins for Forward/Reverse/Stop and Brake.

4. LO (Logic Output: error detect signal output) function

The LO pin signals the MCU/CPU that the TB67H401FTG has detected either the over current (ISD) or the over thermal (TSD) condition. The LO pin is an open drain pin, so it needs to be pulled up to the VCC, for proper usage. Use a pull-up resistor in the range of 10 k to 100 kΩ. The pin will stay High when the TB67H401FTG is operating normally, and once it detects over current (ISD) or over thermal (TSD), the pin will show Low level.

Once the error status is released by reasserting the VM or using the standby mode, LO pin will show “normal operation” status. (Leave the pins open if this function is not used.)

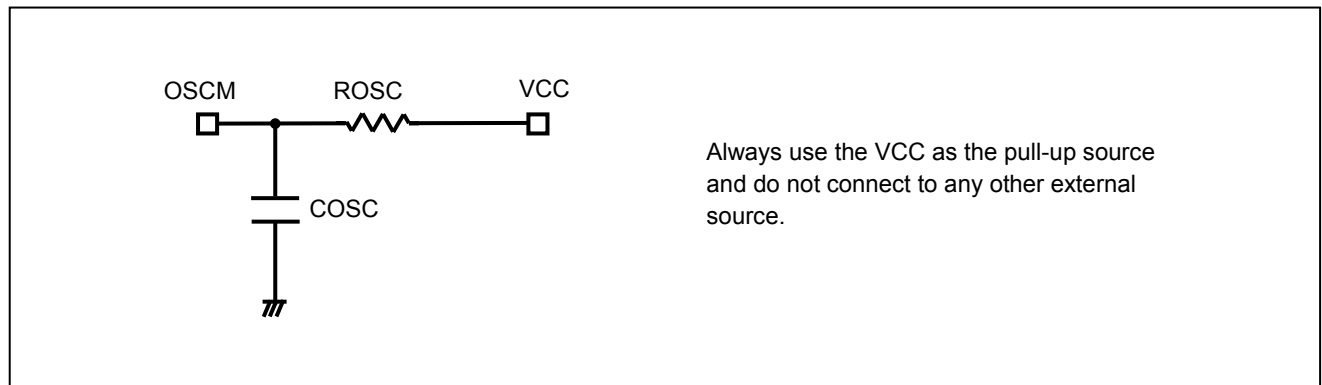
| LO | Function |
|-----|---|
| VCC | Normal status (Normal operation) |
| Low | Detected over current (ISD) or over thermal (TSD) |



The equivalent circuit diagrams may be simplified or some parts of them may be omitted for explanatory purposes.

5. OSCM (internal oscillator) function

OSCM pin is used to adjust the internal oscillator frequency for constant current PWM control. The values of the resistor and the capacitor connected to OSCM pin will set the internal oscillator frequency. Use the VCC to connect the ROSC to OSCM pin, and do not connect to any other external power source.



The equivalent circuit diagrams may be omitted for explanatory purposes.

Note: The oscillator frequency will be set by resistor (ROSC) and capacitor (COSC). When adjusting the frequency, set the COSC to 270 pF, and change the value of the ROSC resistor. For details, please refer to the following descriptions.

OSCM oscillator frequency (chopping frequency) calculation

OSCM oscillator frequency can be calculated by using the external component values (ROSC and COSC), and the formula shown below. (This is only effective when the COSC is set to 270 pF.)

$$f_{OSCM} = 4.0 \times ROSC^{-0.8}$$

COSC and ROSC are external components required to set the oscillator frequency. To adjust the oscillator frequency, use 270 pF for COSC and change the value of ROSC.

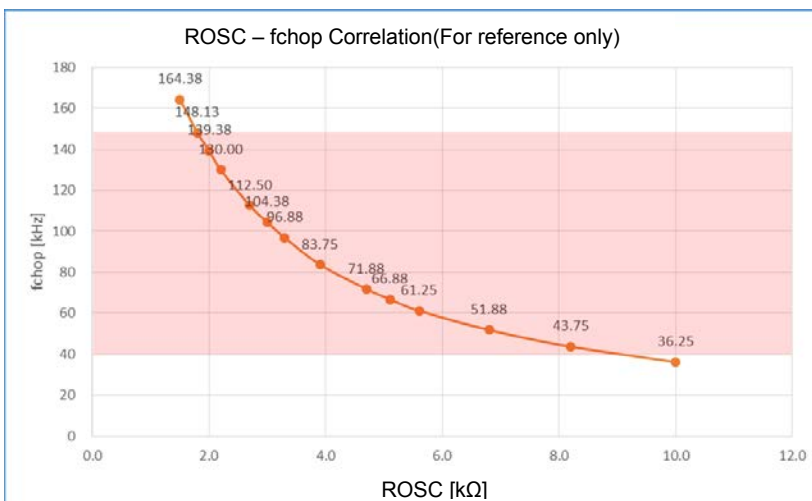
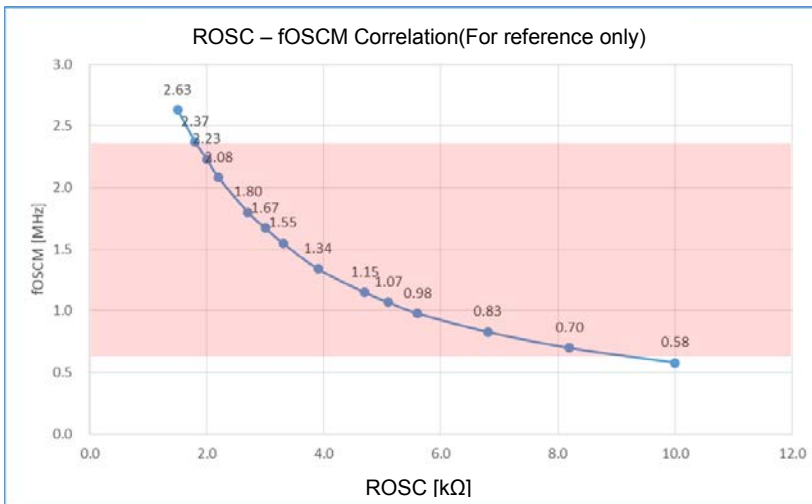
The correlation between the PWM chopping frequency (fchop) and the OSCM oscillator frequency (fOSCM) is as shown below.

$$f_{chop} = f_{OSCM} / 16$$

For normal operation, setting the frequency in the range of 50 kHz to 70 kHz and adjust by usage conditions if needed.

When the chopping frequency is set to high, the current ripple becomes smaller, which leads to a higher reproducibility of a waveform. However, the chopping frequency per unit time is increased and so the gate loss and the switching loss of the integrated MOSFET become larger, which leads to an additional heat generation. On the other hand, when the chopping frequency is set to low, the current ripple becomes larger but the heat generation is reduced. Please set the frequency according to the usage conditions and environment.

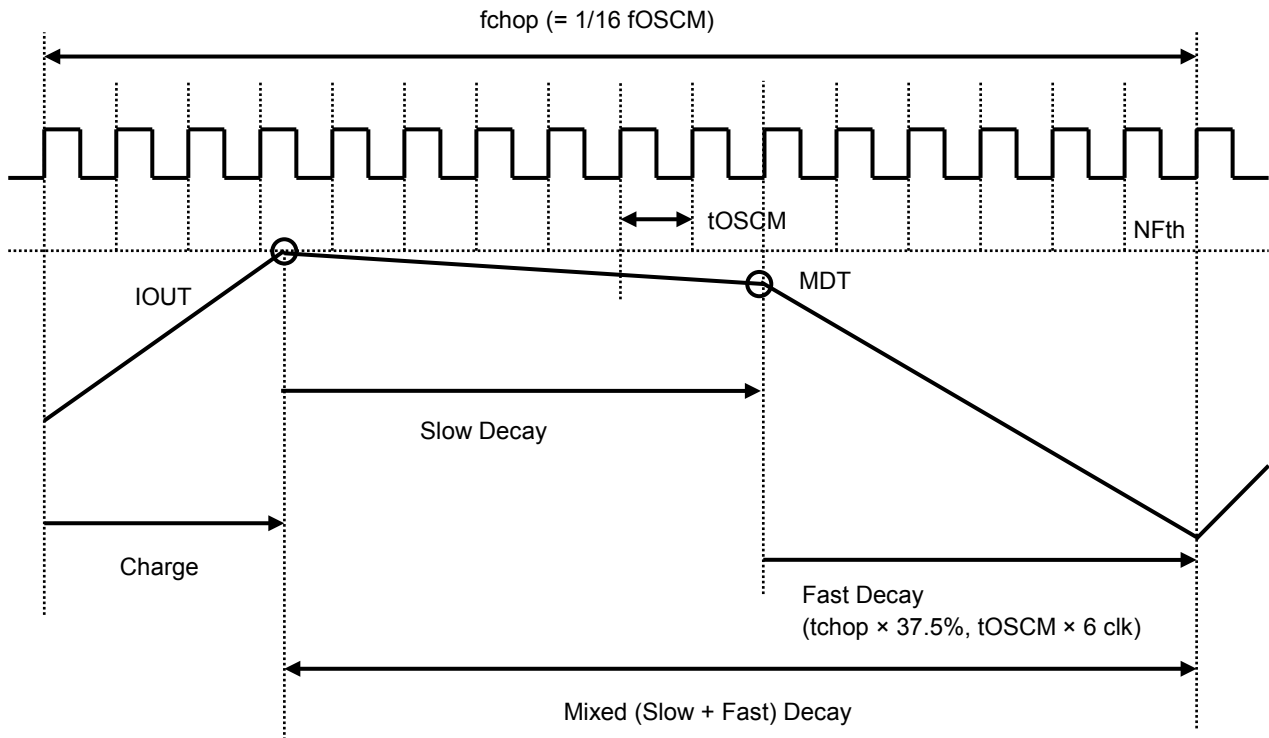
Note: Please see the correlation graph shown below, between the ROSC - fOSCM, and ROSC - fchop for reference. (The COSC capacitor value is set to 270 pF.)



6. Current limit (Internal PWM / Mixed Decay) control

Current limit (Internal PWM / Mixed Decay) control

The TB67H401FTG has a current limit (Internal PWM / Mixed Decay) control capability which monitors the motor current during PWM control, and limits the current to avoid exceeding the set threshold in a Mixed Decay manner.



Timing charts may be simplified for explanatory purposes.

The internal PWM cycle is a loop of Charge → Slow Decay → Fast Decay → Charge → ... to keep the peak current below the NF threshold (NFth). The chopping frequency (f_{chop}) is a period of 16 counts per cycle of OSCM oscillator frequency (f_{OSCM}). The sequence of Charge, Slow Decay, and Fast Decay is basically switched within this f_{chop} cycle.

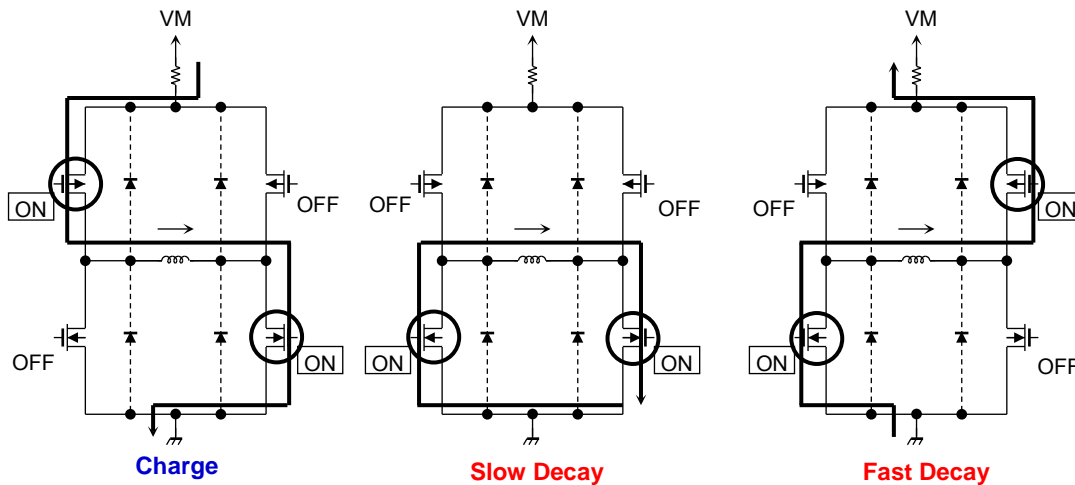
First, the current flows in from the power supply to the motor through the H-bridge (Charge) until it reaches the current limit threshold (NFth), which is set by VREF and sense resistor (RRS). Once the motor current reaches NFth, the H-bridge will switch to Slow Decay mode (gradual discharge mode) until it is at the MDT (Mixed Decay Timing).

The MDT is a fixed value, which is set for the last 6 counts of each PWM cycle. Once it reaches the MDT, the H-bridge will then switch to Fast Decay mode and recirculates the current back to the power supply for the rest of the f_{chop} cycle.

If the motor current reaches NFth, and the time left within that f_{chop} cycle is less than $t_{OSCM} \times 6 \text{ clk}$ ($t_{chop} \times 37.5\%$), the Slow Decay sequence will be skipped, and the H-bridge will switch directly to Fast Decay mode and will continue for the rest of the f_{chop} cycle.

The internal PWM cycle is completely asynchronous to the external PWM, but the external signal has the higher priority so it can be switched regardless of the internal PWM cycle.

Motor output MOSFET switching sequence



* The TB67H401FTG has a 400ns (design target, fixed value) dead time to avoid any flow-through current during switching.

The equivalent circuits may be simplified or omitted for explanatory purposes.

Current limit threshold calculation (for each H-bridge)

The current limit threshold is set by the VREF voltage and the value of the sense resistor (RRS).

$$I_{OUT} = V_{REF} \times 0.2 \times 1/RRS$$

Example: When the VREF voltage is set to 2.0 V and the current sense resistor (RRS) is 0.22 Ω, the current limit threshold is calculated as follows.

$$I_{OUT} = 2.0 \times 0.2 \times 1/0.22 = 1.82 \text{ A}$$

Absolute maximum ratings (Ta = 25°C)

| Characteristics | Symbol | Rating | Unit | Remarks |
|-----------------------------|-----------|------------|------|---------|
| Motor power supply | VM | 50 | V | — |
| Motor output voltage | VOUT | 50 | V | — |
| Motor output current | IOUT(SHB) | 6.0 | A | (Note1) |
| | IOUT(DHB) | 3.0 | A/ch | (Note2) |
| Internal Logic power supply | VCC | 6.0 | V | — |
| Logic input voltage | VIN(H) | 6.0 | V | — |
| | VIN(L) | -0.4 | V | — |
| LO output voltage | VLO | 6.0 | V | — |
| LO Inflow current | ILO | 6.0 | mA | — |
| Power dissipation | PD | 1.3 | W | (Note3) |
| Operating temperature | Topr | -20 to 85 | °C | — |
| Storage temperature | Tstg | -55 to 150 | °C | — |
| Junction temperature | Tj (max) | 150 | °C | — |

Note1: When HBMODE pin is set to high. Please make sure that the peak current level of each H-bridge is kept under 3.0 A at all times. Also, calculate the generating heat and set the maximum current with a reasonable margin. The motor current may be limited depending on ambient temperature and PCB layouts (heat conditions).

Note2: When HBMODE pin is set to low. Please make sure that the current level of each H-bridge is kept under 3.0 A at all times. Also, calculate the generating heat and set the maximum current with a reasonable margin. The motor current may be limited depending on ambient temperature and PCB layouts (heat conditions).

Note3: Device alone (Ta = 25°C)

Ta: Ambient temperature

Topr: Ambient temperature while the IC is active

Tj: Junction temperature while the IC is active. Tj (max) is limited by the thermal shutdown (TSD) threshold.

Please set the usage conditions so that the peak Tj is kept under 120°C for indication.

Caution) Absolute maximum ratings

The absolute maximum ratings of a semiconductor device are a set of ratings that must not be exceeded, even for a moment. Do not exceed any of these ratings. Exceeding the rating (s) may cause device breakdown, damage or deterioration, and may result in injury by explosion or combustion. The value of even one parameter of the absolute maximum ratings should not be exceeded under any circumstances. All voltage ratings, including supply voltages, must always be followed. Other notes and considerations described in the datasheet should also be referred to.

Operation ranges (Ta=-20 to 85°C)

| Characteristics | Symbol | Min | Typ. | Max | Unit | Remarks |
|----------------------|---------------|-----|------|-----|------|---------|
| Motor power supply | VM | 10 | 24 | 47 | V | — |
| Motor output current | IOUT(SHB) | — | 3.0 | 6.0 | A | (Note1) |
| | IOUT(DHB) | — | 1.5 | 3.0 | A/ch | (Note2) |
| LO output voltage | VLO | — | 3.3 | VCC | V | — |
| Chopping frequency | fchop (range) | 40 | 70 | 150 | kHz | — |
| VREF input voltage | VREF | GND | 2.0 | 4.0 | V | — |

Note1: When HBMODE pin is set to high. Please make sure that the peak current level of each H-bridge is kept under 3.0 A at all times. Also, calculate the generating heat under the usage condition, and set the maximum current with a reasonable margin. The motor current may be limited depending on ambient temperature and PCB layouts (heat conditions).

Note2: When HBMODE pin is set to low. Please make sure that the current level of each H-bridge is kept under 3.0 A at all times. Also, calculate the generating heat under the usage condition, and set the maximum current with a reasonable margin. The motor current may be limited depending on ambient temperature and PCB layouts (heat conditions).

Electrical characteristics 1 (Ta = 25°C and VM = 24 V, unless otherwise specified)

| Characteristics | | Symbol | Test condition | Min | Typ. | Max | Unit |
|--|-----------|----------|--|-----|------|-----|------|
| Logic input voltage | HIGH | VIN(H) | High level (Note) | 2.0 | — | 5.5 | V |
| | LOW | VIN(L) | Low level (Note) | 0 | — | 0.8 | V |
| Logic input hysteresis voltage | | VIN(HYS) | Hysteresis voltage | 0.1 | — | 0.3 | V |
| Logic input current | HIGH | IIN(H) | Input voltage = 3.3 V | — | 33 | — | μA |
| | LOW | IIN(L) | Input voltage = 0 V | — | — | 1 | μA |
| Logic output pin voltage (FBB,FBA,LO) | HIGH | VO(H) | IOL = 5 mA LO = Low (10 kΩ,5V Pull Up) | 4.5 | 4.8 | 5.5 | V |
| | LOW | VO(L) | | 0 | 0.2 | 0.5 | V |
| Current consumption | | IM1 | Standby mode | — | 2 | — | mA |
| | | IM2 | OUT: OPEN, INA1, INA2, INB1, and INB2: Low, Standby mode: Release | — | 3.5 | 5.5 | mA |
| | | IM3 | OUT: OPEN, Standby mode: Release | — | 5.5 | 7 | mA |
| Output leakage current | High-side | IOH | VM = 50 V, VOUT = 0 V | — | — | 1 | μA |
| | Low-side | IOL | VM = VOUT = 50 V | 1 | — | — | μA |
| Motor current channel differential | | ΔIOUT1 | Current differential between channels | -5 | 0 | 5 | % |
| Motor current setting differential | | ΔIOUT2 | IOUT = 1.6 A, HBMODE = Low | -5 | 0 | 5 | % |
| Motor output ON-resistance (High-side + Low-side) | | Ron(H+L) | Tj = 25°C, Forward direction (High side + Low side) | — | 0.49 | 0.6 | Ω |

Note: VIN(H) is defined as the VIN voltage that causes the outputs (OUTA+, OUTA-, OUTB+ and OUTB-) to change when a pin under test is gradually raised from 0 V. VIN(L) is defined as the VIN voltage that causes the outputs (OUTA+, OUTA-, OUTB+ and OUTB-) to change when the pin is then gradually lowered. The difference between VIN(H) and VIN(L) is defined as the VIN(HYS).

Electrical characteristics 2 (Ta = 25°C and VM = 24 V, unless otherwise specified)

| Characteristics | Symbol | Test condition | Min | Typ. | Max | Unit |
|--|------------|-------------------------------|-------|-------|-------|------|
| VREF input current | IREF | VREF = 2.0 V | — | 0 | 1 | μA |
| VCC voltage | VCC | ICC = 5.0 mA | 4.75 | 5.0 | 5.25 | V |
| VCC current | ICC | VCC = 5.0 V | — | 2.5 | 5.0 | mA |
| VREF gain | VREF(gain) | VREF = 2.0 V, HBMODE = Low | 1/5.2 | 1/5.0 | 1/4.8 | — |
| Thermal shutdown (TSD) threshold (Note1) | TjTSD | — | 145 | 160 | 175 | °C |
| VM power-on-reset threshold | VMPOR | Power-on-reset release | 7.0 | 8.0 | 9.0 | V |
| Over current detection (ISD) threshold (Note2) | ISD | — | 4.1 | 4.9 | 5.7 | A |

Note1: Thermal shutdown (TSD)

When the TB67H401FTG detects an over temperature, the internal circuit turns off the output MOSFETs. Noise filter is built in to avoid TSD misdetection, which may be triggered by external noise. Reassert the VM power supply or use the standby mode (INA1, INA2, INB1, INB2, PWMA, PWMB = Low) to restart the device. The TSD is triggered when the device is over heated irregularly. Make sure not to use the TSD function aggressively.

Note2: Over current detection (ISD)

When the TB67H401FTG detects an over current, the internal circuits turns off the output MOSFETs. Noise filter is built in to avoid ISD misdetection, which may be triggered by external noise. Reassert the VM power supply or use the standby mode (INA1, INA2, INB1, INB2, PWMA, PWMB = Low) to restart the device. The ISD is triggered when the motor current is over rated irregularly. Make sure not to use the ISD function aggressively.

Back-EMF

While a motor is rotating, there is a timing at which power is fed back to the power supply. At that timing, the motor current recirculates back to the power supply due to the effect of the motor back-EMF.

If the power supply does not have enough sink capability, the power supply and output pins of the device might rise above the rated voltages. The magnitude of the motor back-EMF varies with usage conditions and motor characteristics. It must be fully verified that there is no risk that the TB67H401FTG or other components will be damaged or fail due to the motor back-EMF.

Cautions on Overcurrent Shutdown (ISD) and Thermal Shutdown (TSD)

The ISD and TSD circuits are only intended to provide temporary protection against irregular conditions such as an output short-circuit; they do not necessarily guarantee the complete IC safety.

If the device is used beyond the specified operating ranges, these circuits may not operate properly: then the device may be damaged due to an output short-circuit.

The ISD circuit is only intended to provide a temporary protection against an output short-circuit. If such a condition persists for a long time, the device may be damaged due to overstress. Overcurrent conditions must be removed immediately by external hardware.

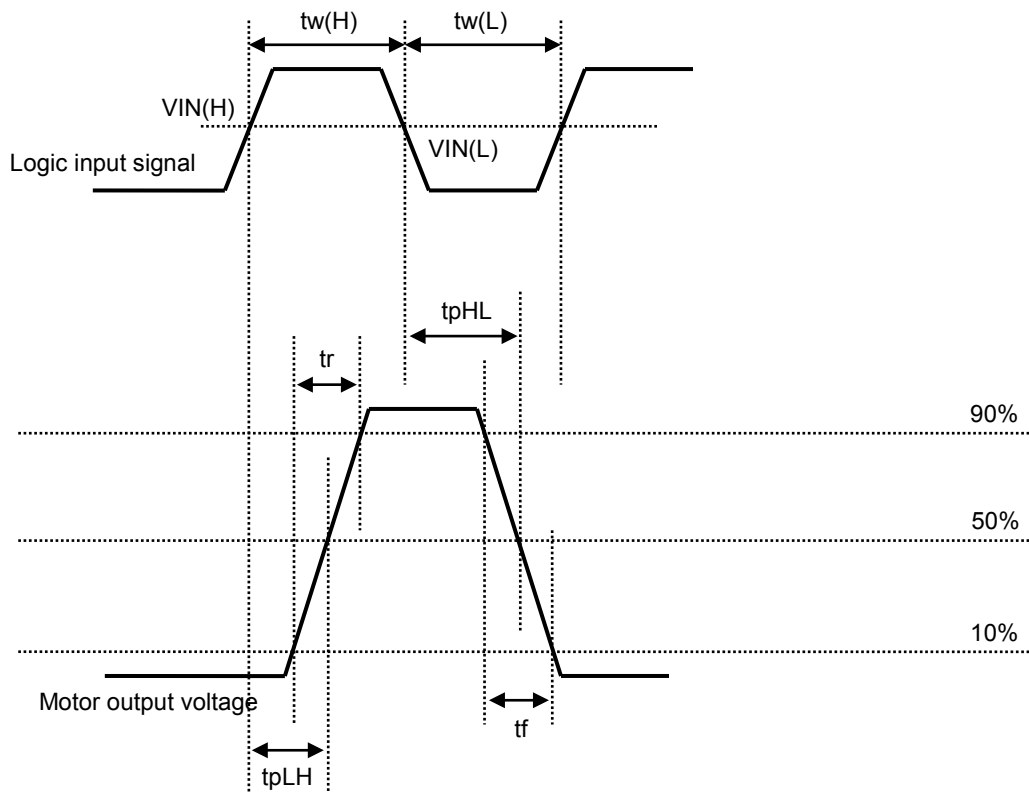
IC Mounting

Do not insert devices incorrectly or in the wrong orientation. Otherwise, it may cause breakdown, damage and/or deterioration of the device.

AC electrical characteristics (Ta = 25°C and VM = 24 V, unless otherwise specified)

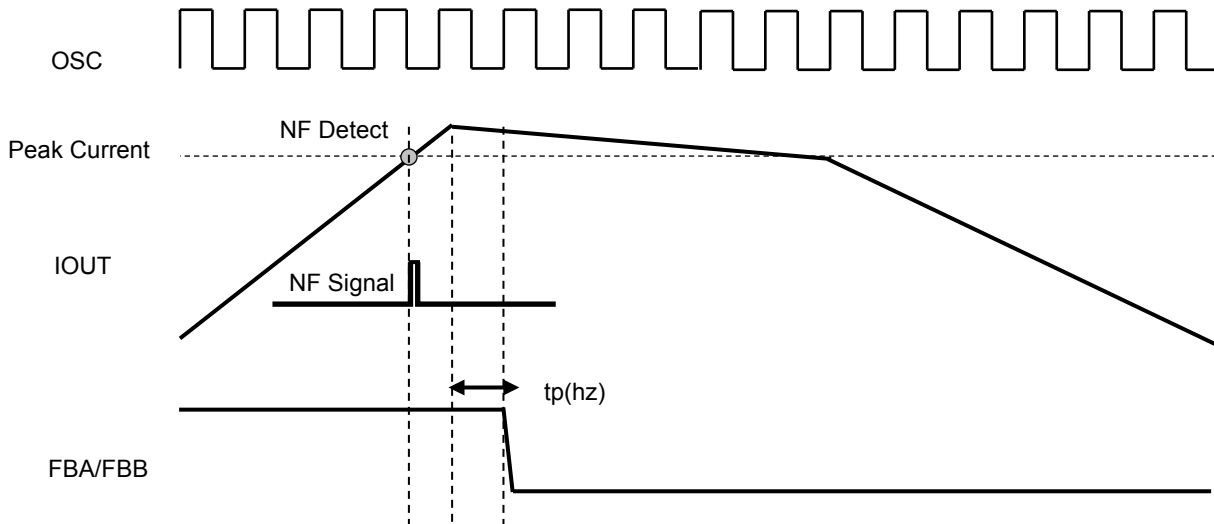
| Characteristics | Symbol | Test condition | Min | Typ. | Max | Unit |
|--|-------------------|--|-----|------|------|------|
| Minimum logic 'High' pulse width | tw(H) | Logic input signal | 500 | — | — | ns |
| Minimum logic 'Low' pulse width | tw(L) | Logic input signal | 500 | — | — | ns |
| Output MOSFET switching specifications | tr | — | 30 | 80 | 130 | ns |
| | tf | — | 40 | 90 | 140 | ns |
| | tpLH | INA1/INB1, INA2/INB2 and PWMA/PWMB to OUT | 250 | — | 1200 | ns |
| | tpHL | INA1/INB1, INA2/INB2 and PWMA/PWMB to OUT | 250 | — | 1200 | ns |
| Logic output delay time | tp(hz) | Current limit (NF Detect) - FBA/FBB (On) Pull up 10 kΩ to 5 V (OD ON) | 135 | — | 355 | ns |
| | tp(zh) | INA1/INB1, INA2/INB2, PWMA/PWMB - FBA/FBB (OFF) Pull up 10 kΩ to 5 V (OD OFF) | 135 | — | 535 | |
| OSCM oscillator accuracy | Δf_{OSCM} | COSC = 270 pF, RO SC = 5.1 kΩ | -15 | — | +15 | % |
| OSCM oscillator frequency | fOSCM | COSC = 270 pF, RO SC = 5.1 kΩ | — | 1120 | — | kHz |

AC characteristics timing chart



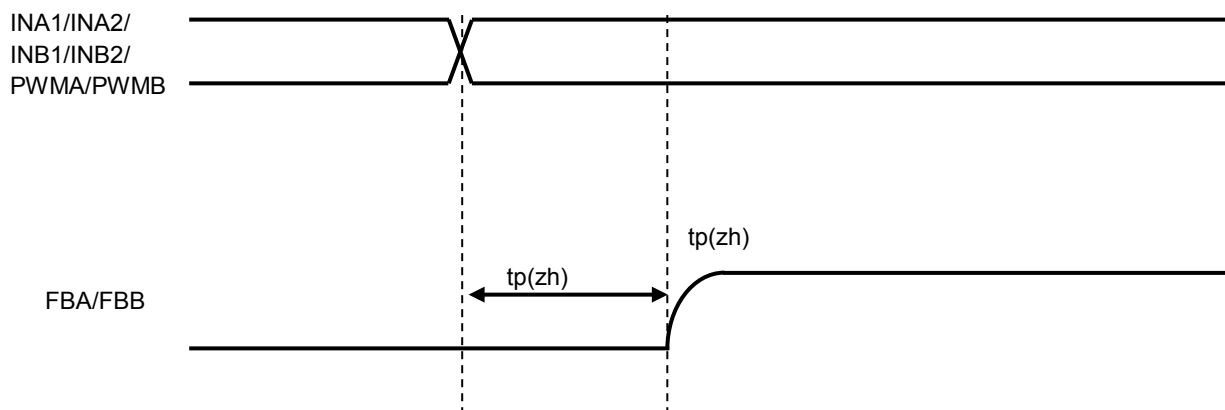
The timing chart may be simplified for explanatory purpose.

Peak current (NF Detect) - FBA/FBB(On) Timing charts



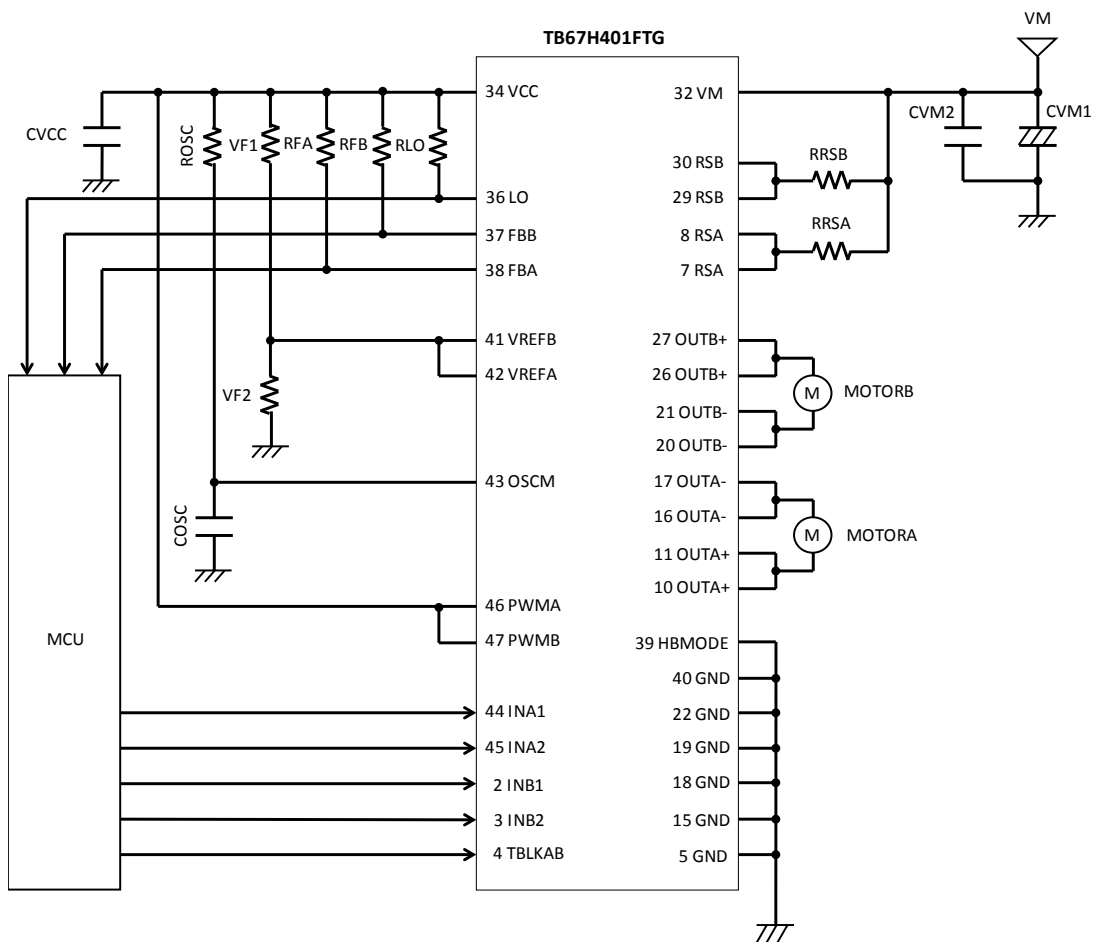
Timing charts may be simplified for explanatory purposes.

INA1/INA2/INB1/INB2/PWMA/PWMB - FBA/FBB (OFF) Timing charts



Timing charts may be simplified for explanatory purposes.

Application circuit example (Dual H-bridge mode)



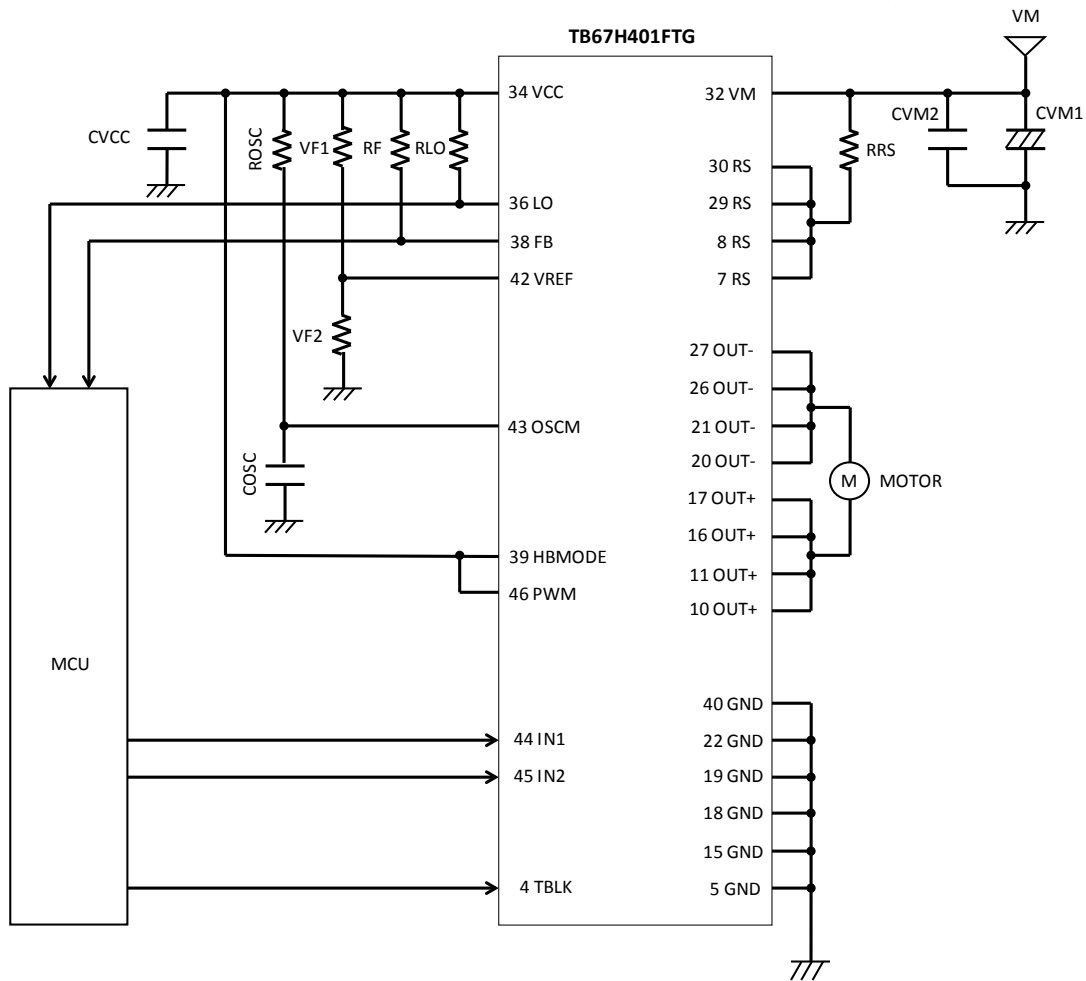
The application circuits shown in this document are provided for reference purposes only, and are not guaranteed for mass production.

Component values (for reference)

| Symbol | Component | Reference value for each components |
|---------------|------------------------|--|
| CVM1 | Electrolytic capacitor | 100 μ F (CVM1 \geq 10 μ F) |
| CVM2 | Ceramic capacitor | (0.1 μ F) |
| RRSA, RRSB | Current sense resistor | 0.22 Ω (0.1 $\Omega \leq$ RRSA/RRSB) |
| VF1, VF2 | Voltage divider | (10 k $\Omega \leq$ VF1+ VF2 \leq 50 k Ω if needed) |
| CVCC | Ceramic capacitor | 0.1 μ F |
| ROSC | Resistor | 5.1 k Ω (1.8 k Ω to 8.2 k Ω) |
| COSC | Ceramic capacitor | 270 pF |
| RLO, RFA, RFB | Pull-up resistor | 10 k Ω (10 k Ω to 100 k Ω) |

Values mentioned in the table above are for reference only. Each value can be adjusted per each usage condition.

Application circuit example (Single H-bridge mode)



The application circuits shown in this document are provided for reference purposes only, and are not guaranteed for mass production.

Component values (for reference)

| Symbol | Component | Reference value for each components |
|----------|------------------------|--|
| CVM1 | Electrolytic capacitor | 100 μ F (CVM1 \geq 10 μ F) |
| CVM2 | Ceramic capacitor | (0.1 μ F) |
| RRS | Current sense resistor | 0.22 Ω (0.1 $\Omega \leq$ RRS) |
| VF1, VF2 | Voltage divider | (10 k $\Omega \leq$ VF1+ VF2 \leq 50 k Ω if needed) |
| CVCC | Ceramic capacitor | 0.1 μ F |
| ROSC | Resistor | 5.1 k Ω (1.8 k Ω to 8.2 k Ω) |
| COSC | Ceramic capacitor | 270 pF |
| RLO, RF | Pull-up resistor | 10 k Ω (10 k Ω to 100 k Ω) |

Values mentioned in the table above are for reference only. Each value can be adjusted per each usage condition.

Notes on Contents

1. Block Diagrams

Some of the functional blocks, circuits, or constants in the block diagram may be omitted or simplified for explanatory purposes.

2. Equivalent Circuits

The equivalent circuit diagrams may be simplified or some parts of them may be omitted for explanatory purposes.

3. Timing Charts

Timing charts may be simplified for explanatory purposes.

4. Application Circuits

The application circuits shown in this document are provided for reference purposes only. Thorough evaluation is required at the mass production design stage. Any license to any industrial property rights is not granted by provision of these application circuit examples.

IC Usage Considerations

Notes on handling of ICs

- (1) The absolute maximum ratings of a semiconductor device are a set of ratings that must not be exceeded, even for a moment. Do not exceed any of these ratings. Exceeding the rating(s) may cause device breakdown, damage or deterioration, and may result in injury by explosion or combustion.
- (2) Use an appropriate power supply fuse to ensure that a large current does not continuously flow in the case of over-current and/or IC failure. The IC will fully break down when used under conditions that exceed its absolute maximum ratings, when the wiring is routed improperly or when an abnormal pulse noise occurs from the wiring or load, causing a large current to continuously flow and the breakdown can lead to smoke or ignition. To minimize the effects of the flow of a large current in the case of breakdown, appropriate settings, such as fuse capacity, fusing time and insertion circuit location, are required.
- (3) If your design includes an inductive load such as a motor coil, incorporate a protection circuit into the design to prevent device malfunction or breakdown caused by the current resulting from the inrush current at power ON or the negative current resulting from the back electromotive force at power OFF. IC breakdown may cause injury, smoke or ignition. Use a stable power supply with ICs with built-in protection functions. If the power supply is unstable, the protection function may not operate, causing IC breakdown. IC breakdown may cause injury, smoke or ignition.
- (4) Do not insert devices in the wrong orientation or incorrectly. Make sure that the positive and negative terminals of power supplies are connected properly. Otherwise, the current or power consumption may exceed the absolute maximum rating, and exceeding the rating(s) may cause device breakdown, damage or deterioration, and may result in injury by explosion or combustion. In addition, do not use any device that has been inserted incorrectly.
- (5) Please take extra care when selecting external components (such as power amps and regulators) or external devices (for instance, speakers). When large amounts of leak current occur from capacitors, the DC output level may increase. If the output is connected to devices such as speakers with low resist voltage, overcurrent or IC failure may cause smoke or ignition. (The over-current may cause smoke or ignition from the IC itself.) In particular, please pay attention when using a Bridge Tied Load (BTL) connection-type IC that inputs output DC voltage to a speaker directly.

Points to remember on handling of ICs**Over current detection circuit**

Over current detection circuits (referred to as current limiter circuits) do not necessarily protect ICs under all circumstances. If the Over current detection circuits operate against the over current, clear the over current status immediately.

Depending on the method of use and usage conditions, such as exceeding absolute maximum ratings can cause the over current protection circuit to not operate properly or IC breakdown before operation. In addition, depending on the method of use and usage conditions, if over current continues to flow for a long time after operation, the IC may generate heat resulting in breakdown.

Thermal Shutdown Circuit

Thermal shutdown circuits do not necessarily protect ICs under all circumstances. If the thermal shutdown circuits operate against the over temperature, clear the heat generation status immediately.

Depending on the method of use and usage conditions, such as exceeding absolute maximum ratings can cause the thermal shutdown circuit to not operate properly or IC breakdown before operation.

Heat Radiation Design

In using an IC with large current flow such as power amp, regulator or driver, please design the device so that heat is appropriately radiated, not to exceed the specified junction temperature (T_J) at any time and condition. These ICs generate heat even during normal use. An inadequate IC heat radiation design can lead to decrease in IC life, deterioration of IC characteristics or IC breakdown. In addition, please design the device taking into consideration the effect of IC heat radiation with peripheral components.

Back-EMF

When a motor rotates in the reverse direction, stops or slows down abruptly, a current flows back to the motor's power supply due to the effect of back-EMF. If the current sink capability of the power supply is small, the device's motor power supply and output pins might be exposed to conditions beyond maximum ratings. To avoid this problem, take the effect of back-EMF into consideration in system design.

RESTRICTIONS ON PRODUCT USE

Toshiba Corporation and its subsidiaries and affiliates are collectively referred to as "TOSHIBA". Hardware, software and systems described in this document are collectively referred to as "Product".

- TOSHIBA reserves the right to make changes to the information in this document and related Product without notice.
- This document and any information herein may not be reproduced without prior written permission from TOSHIBA. Even with TOSHIBA's written permission, reproduction is permissible only if reproduction is without alteration/omission.
- Though TOSHIBA works continually to improve Product's quality and reliability, Product can malfunction or fail. Customers are responsible for complying with safety standards and for providing adequate designs and safeguards for their hardware, software and systems which minimize risk and avoid situations in which a malfunction or failure of Product could cause loss of human life, bodily injury or damage to property, including data loss or corruption. Before customers use the Product, create designs including the Product, or incorporate the Product into their own applications, customers must also refer to and comply with (a) the latest versions of all relevant TOSHIBA information, including without limitation, this document, the specifications, the data sheets and application notes for Product and the precautions and conditions set forth in the "TOSHIBA Semiconductor Reliability Handbook" and (b) the instructions for the application with which the Product will be used with or for. Customers are solely responsible for all aspects of their own product design or applications, including but not limited to (a) determining the appropriateness of the use of this Product in such design or applications; (b) evaluating and determining the applicability of any information contained in this document, or in charts, diagrams, programs, algorithms, sample application circuits, or any other referenced documents; and (c) validating all operating parameters for such designs and applications. **TOSHIBA ASSUMES NO LIABILITY FOR CUSTOMERS' PRODUCT DESIGN OR APPLICATIONS.**
- **PRODUCT IS NEITHER INTENDED NOR WARRANTED FOR USE IN EQUIPMENTS OR SYSTEMS THAT REQUIRE EXTRAORDINARILY HIGH LEVELS OF QUALITY AND/OR RELIABILITY, AND/OR A MALFUNCTION OR FAILURE OF WHICH MAY CAUSE LOSS OF HUMAN LIFE, BODILY INJURY, SERIOUS PROPERTY DAMAGE AND/OR SERIOUS PUBLIC IMPACT ("UNINTENDED USE").** Except for specific applications as expressly stated in this document, Unintended Use includes, without limitation, equipment used in nuclear facilities, equipment used in the aerospace industry, medical equipment, equipment used for automobiles, trains, ships and other transportation, traffic signaling equipment, equipment used to control combustions or explosions, safety devices, elevators and escalators, devices related to electric power, and equipment used in finance-related fields. **IF YOU USE PRODUCT FOR UNINTENDED USE, TOSHIBA ASSUMES NO LIABILITY FOR PRODUCT.** For details, please contact your TOSHIBA sales representative.
- Do not disassemble, analyze, reverse-engineer, alter, modify, translate or copy Product, whether in whole or in part.
- Product shall not be used for or incorporated into any products or systems whose manufacture, use, or sale is prohibited under any applicable laws or regulations.
- The information contained herein is presented only as guidance for Product use. No responsibility is assumed by TOSHIBA for any infringement of patents or any other intellectual property rights of third parties that may result from the use of Product. No license to any intellectual property right is granted by this document, whether express or implied, by estoppel or otherwise.
- **ABSENT A WRITTEN SIGNED AGREEMENT, EXCEPT AS PROVIDED IN THE RELEVANT TERMS AND CONDITIONS OF SALE FOR PRODUCT, AND TO THE MAXIMUM EXTENT ALLOWABLE BY LAW, TOSHIBA (1) ASSUMES NO LIABILITY WHATSOEVER, INCLUDING WITHOUT LIMITATION, INDIRECT, CONSEQUENTIAL, SPECIAL, OR INCIDENTAL DAMAGES OR LOSS, INCLUDING WITHOUT LIMITATION, LOSS OF PROFITS, LOSS OF OPPORTUNITIES, BUSINESS INTERRUPTION AND LOSS OF DATA, AND (2) DISCLAIMS ANY AND ALL EXPRESS OR IMPLIED WARRANTIES AND CONDITIONS RELATED TO SALE, USE OF PRODUCT, OR INFORMATION, INCLUDING WARRANTIES OR CONDITIONS OF MERCHANTABILITY, FITNESS FOR A PARTICULAR PURPOSE, ACCURACY OF INFORMATION, OR NONINFRINGEMENT.**
- Do not use or otherwise make available Product or related software or technology for any military purposes, including without limitation, for the design, development, use, stockpiling or manufacturing of nuclear, chemical, or biological weapons or missile technology products (mass destruction weapons). Product and related software and technology may be controlled under the applicable export laws and regulations including, without limitation, the Japanese Foreign Exchange and Foreign Trade Law and the U.S. Export Administration Regulations. Export and re-export of Product or related software or technology are strictly prohibited except in compliance with all applicable export laws and regulations.
- Please contact your TOSHIBA sales representative for details as to environmental matters such as the RoHS compatibility of Product. Please use Product in compliance with all applicable laws and regulations that regulate the inclusion or use of controlled substances, including without limitation, the EU RoHS Directive. **TOSHIBA ASSUMES NO LIABILITY FOR DAMAGES OR LOSSES OCCURRING AS A RESULT OF NONCOMPLIANCE WITH APPLICABLE LAWS AND REGULATIONS.**

单击下面可查看定价，库存，交付和生命周期等信息

[>>Toshiba\(东芝\)](#)