

TOSHIBA CMOS DIGITAL INTEGRATED CIRCUIT SILICON MONOLITHIC

TC7S14F, TC7S14FU

SCHMITT INVERTER

The TC7S14 is a high speed C²MOS SCHMITT INVERTER fabricated with silicon gate C²MOS technology. It achieves a high speed operation similar to equivalent LSTTL while maintaining the C²MOS low power dissipation.

Pin Configuration and function are the same as the TC7SU04F but input have 25% V_{CC} hysteresis and with its schmitt trigger function, the TC7S14F can be used as line receivers which will receive slow input signal.

Input is equipped with protection circuits against static discharge or transient excess voltage.

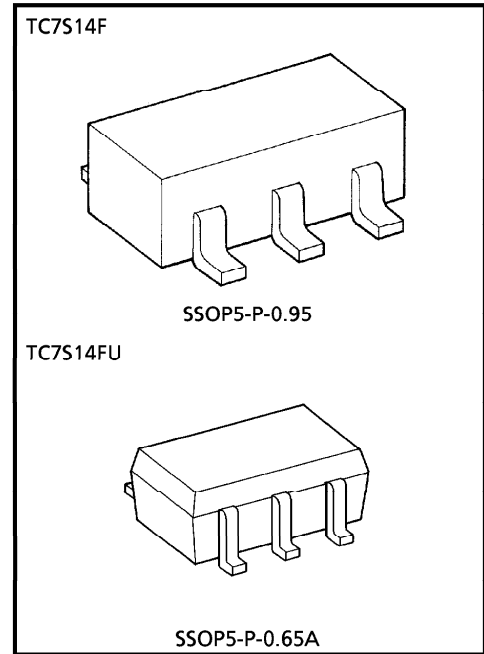
Output currents are 1/2 compared to TC74HC series models.

FEATURES

- High Speed $t_{pd} = 11\text{ns (Typ.) at } V_{CC} = 5\text{V}$
- Low Power Dissipation $I_{CC} = 1\mu\text{A (Max.) at } T_a = 25^\circ\text{C}$
- High Noise Immunity $V_H = 1.1\text{V at } V_{CC} = 5\text{V}$
- Output Drive Capability 5 LSTTL Loads
- Symmetrical Output Impedance ... $|I_{OH}| = I_{OL} = 2\text{mA}$
- Balanced Propagation Delays $t_{pLH} \approx t_{pHL}$
- Wide Operating Voltage Range ... $V_{CC}(\text{opr}) = 2\sim 6\text{V}$

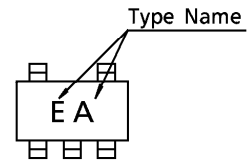
MAXIMUM RATINGS

CHARACTERISTIC	SYMBOL	RATING	UNIT
Supply Voltage Range	V _{CC}	-0.5~7	V
DC Input Voltage	V _{IN}	-0.5~V _{CC} +0.5	V
DC Output Voltage	V _{OUT}	-0.5~V _{CC} +0.5	V
Input Diode Current	I _{IK}	±20	mA
Output Diode Current	I _{OK}	±20	mA
DC Output Current	I _{OUT}	±12.5	mA
DC V _{CC} / Ground Current	I _{CC}	±50	mA
Power Dissipation	P _D	200	mW
Storage Temperature	T _{stg}	-65~150	°C
Lead Temperature (10s)	T _L	260	°C



Weight SSOP5-P-0.95 : 0.016g (Typ.)
 SSOP5-P-0.65A : 0.006g (Typ.)

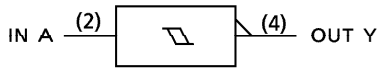
MARKING



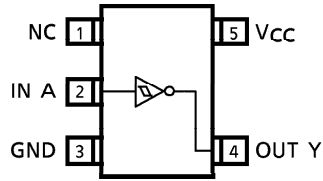
961001EBA2

● TOSHIBA is continually working to improve the quality and the reliability of its products. Nevertheless, semiconductor devices in general can malfunction or fail due to their inherent electrical sensitivity and vulnerability to physical stress. It is the responsibility of the buyer, when utilizing TOSHIBA products, to observe standards of safety, and to avoid situations in which a malfunction or failure of a TOSHIBA product could cause loss of human life, bodily injury or damage to property. In developing your designs, please ensure that TOSHIBA products are used within specified operating ranges as set forth in the most recent products specifications. Also, please keep in mind the precautions and conditions set forth in the TOSHIBA Semiconductor Reliability Handbook.

LOGIC DIAGRAM



PIN ASSIGNMENT (TOP VIEW)



TRUTH TABLE

A	Y
L	H
H	L

RECOMMENDED OPERATING CONDITIONS

CHARACTERISTIC	SYMBOL	RATING	UNIT
Supply Voltage	V _{CC}	2~6	V
Input Voltage	V _{IN}	0~V _{CC}	V
Output Voltage	V _{OUT}	0~V _{CC}	V
Operating Temperature	T _{opr}	-40~85	°C

DC ELECTRICAL CHARACTERISTICS

CHARACTERISTIC	SYMBOL	TEST CONDITION	Ta = 25°C			Ta = -40~85°C		UNIT					
			V _{CC}	MIN.	TYP.	MAX.	MIN.		MAX.				
Positive Threshold Voltage	V _p	—	2.0	1.0	1.25	1.5	1.0	1.5	V				
			4.5	2.3	2.7	3.15	2.3	3.15					
			6.0	3.0	3.5	4.2	3.0	4.2					
Negative Threshold Voltage	V _N	—	2.0	0.3	0.65	0.9	0.3	0.9	V				
			4.5	1.13	1.6	2.0	1.13	2.0					
			6.0	1.5	2.3	2.6	1.5	2.6					
Hysteresis Voltage	V _H	—	2.0	0.3	0.6	1.0	0.3	1.0	V				
			4.5	0.6	1.1	1.4	0.6	1.4					
			6.0	0.8	1.2	1.7	0.8	1.7					
High-Level Output Voltage	V _{OH}	V _{IN} = V _{IL}	I _{OH} = -20μA	2.0	1.9	2.0	—	1.9	—	V			
				4.5	4.4	4.5	—	4.4	—				
				6.0	5.9	6.0	—	5.9	—				
Low-Level Output Voltage	V _{OL}	V _{IN} = V _{IH}	I _{OL} = 20μA	2.0	—	0.0	0.1	—	0.1	V			
				4.5	—	0.0	0.1	—	0.1				
				6.0	—	0.0	0.1	—	0.1				
Input Leakage Current	I _{IN}	V _{IN} = V _{CC} or GND	6.0	—	—	±0.1	—	±1.0	μA				
				Quiescent Supply Current	I _{CC}	V _{IN} = V _{CC} or GND	6.0	—	—	1.0	—	10.0	μA

Output currents are 1/2 compared to TC74HC series models.

961001EBA2'

- The products described in this document are subject to foreign exchange and foreign trade control laws.
- The information contained herein is presented only as a guide for the applications of our products. No responsibility is assumed by TOSHIBA CORPORATION for any infringements of intellectual property or other rights of the third parties which may result from its use. No license is granted by implication or otherwise under any intellectual property or other rights of TOSHIBA CORPORATION or others.
- The information contained herein is subject to change without notice.

AC ELECTRICAL CHARACTERISTICS ($C_L = 15\text{pF}$, $V_{CC} = 5\text{V}$, $T_a = 25^\circ\text{C}$)

CHARACTERISTIC	SYMBOL	TEST CONDITION	Ta = 25°C			UNIT
			MIN.	TYP.	MAX.	
Output Transition Time	t_{TLH}	—	—	4	8	ns
	t_{THL}					
Propagation Delay Time	t_{pLH}	—	—	11	21	
	t_{pHL}					

AC ELECTRICAL CHARACTERISTICS ($C_L = 50\text{pF}$, Input $t_r = t_f = 6\text{ns}$)

CHARACTERISTIC	SYMBOL	TEST CONDITION	Ta = 25°C			Ta = -40~85°C		UNIT	
			V _{CC}	MIN.	TYP.	MAX.	MIN.		MAX.
Output Transition Time	t_{TLH} t_{THL}	—	2.0	—	50	125	—	145	ns
			4.5	—	14	25	—	30	
			6.0	—	12	21	—	24	
Propagation Delay Time	t_{pLH} t_{pHL}	—	2.0	—	48	100	—	235	
			4.5	—	12	20	—	48	
			6.0	—	9	17	—	40	
Input Capacitance	C_{IN}	—	—	5	10	—	10	pF	
Power Dissipation Capacitance	C_{PD}	Note (1)	—	28	—	—	—		

Note (1) : C_{PD} is defined as the value of internal equivalent capacitance which is calculated from the operating current consumption without load.

Average operating current can be obtained by the equation :

$$I_{CC(opr)} = C_{PD} \cdot V_{CC} \cdot f_{IN} + I_{CC}$$

单击下面可查看定价，库存，交付和生命周期等信息

[>>Toshiba\(东芝\)](#)