

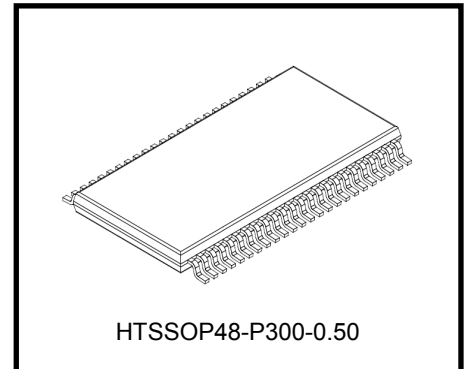
TB62216FNG

PWM Chopper-Type Motor Driver IC

The TB62216FNG is a motor driver using internal PWM signals.
The TB62216FNG is capable of driving 2 DC brushed motors.
Fabricated with the BiCD process, the TB62216FNG is rated at 40V/2.5A.
The internal voltage regulator allows control of the motor with a single VM power supply.

Features

- Monolithic IC by using BiCD process
- PWM controlled constant-current drive
- Low on-resistance of output stage transistor is low by using BiCD process.
- High Voltage and current (For specification, please refer to absolute maximum ratings and operation ranges)
- Thermal shutdown (TSD), over-current shutdown (ISD), abnormally current detection (VRS) and power-on reset (POR)
- Built-in regulator allows the TB62216FNG to function with only VM power supply.
- Able to customize PWM signal frequency by external condenser.
- Package: HTSSOP48-P300-0.50



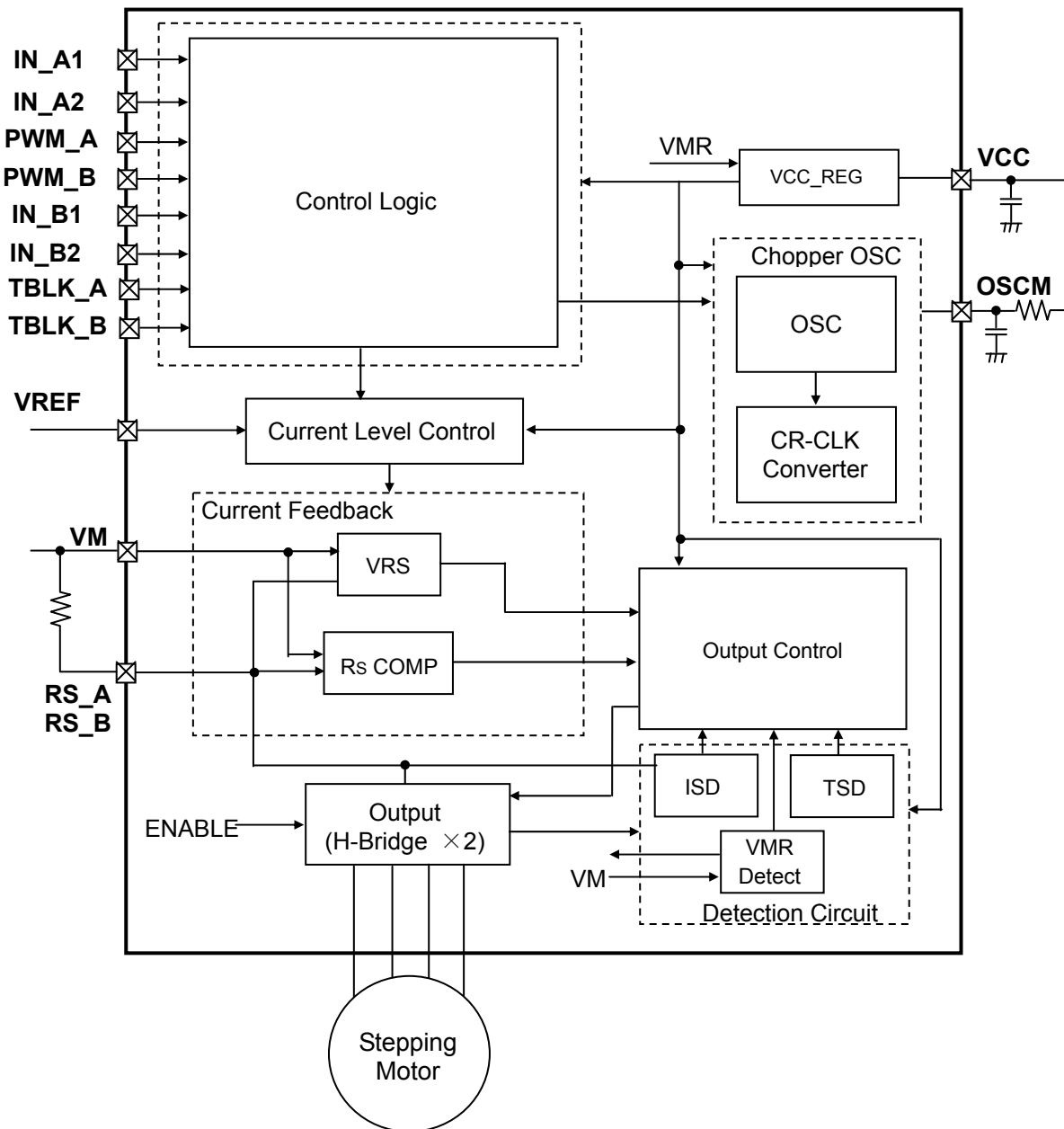
Package weight: 0.21g (typ)

Note) Please be careful about thermal conditions during use.

Solderability

1. Use of Sn-37Pb solder bath
 - solder bath temperature = 230°C
 - dipping time = 5 seconds
 - number of times = once
 - use of R-type flux
2. Use of Sn-3.0Ag-0.5Cu solder bath
 - solder bath temperature = 245°C
 - dipping time = 5 seconds
 - number of times = once
 - use of R-type flux

Block Diagram



* Please note that in the block diagram, functional blocks or constants may be omitted or simplified for explanatory purposes.

Notes:

All the grounding wires of the TB62216FNG must run on the solder within the mask of the PCM. It must also be externally terminated at a single point. Also, the grounding method should be considered for efficient heat dissipation.

Logic input pins must be correctly wired. While using switches to control input levels, make sure to pull up to VCC or pull down to GND to avoid high impedance.

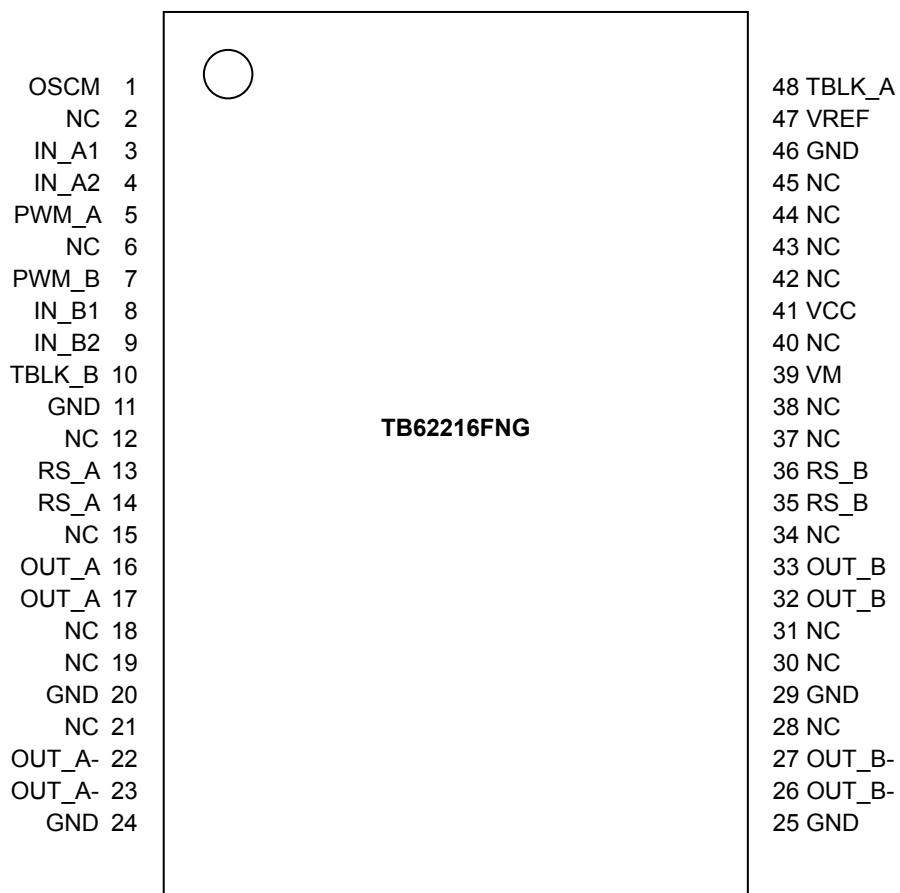
Please take extra care while tracing the layout of the VM, GND and output patterns to avoid shortage across output, GND or power supplies. If such shortage occurs, the TB62216FNG may be permanently damaged.

The utmost care should also be taken for pattern designing and implementation of the TB62216FNG. If power-relevant pins such as VM, RS, OUT, and GND (which is capable of running particularly large current) are wired incorrectly, an operation error may occur or the TB62216FNG may be destroyed.

The logic input pins must also be wired correctly. Otherwise, the TB62216FNG may be damaged by a current larger than the specified current running through the IC.

Pin assignment (TB62216FNG)

(Top View)



Pin Function

TB62216FNG (HTSSOP48)

Function explanation

Pin No.	Pin Name	Function	Pin No.	Pin Name	Function
1	OSCM	Oscillator pin for internal PWM signal	25	GND	Ground pin for Bridge B
2	NC	Not connected	26	OUT_B-	Bridge B - output
3	IN_A1	Bridge A excitation control input	27	OUT_B-	Bridge B - output
4	IN_A2	Bridge A excitation control input	28	NC	Not connected
5	PWM_A	Bridge A short brake input	29	GND	Ground pin for Bridge B
6	NC	Not connected	30	NC	Not connected
7	PWM_B	Bridge B short brake input	31	NC	Not connected
8	IN_B1	Bridge B excitation control input	32	OUT_B	Bridge B + output
9	IN_B2	Bridge B excitation control input	33	OUT_B	Bridge B + output
10	TBLK_B	Bridge B Digital tBLK input	34	NC	Not connected
11	GND	Ground pin for Logic input	35	RS_B	Bridge B sense output
12	NC	Not connected	36	RS_B	Bridge B sense output
13	RS_A	Bridge A sense output	37	NC	Not connected
14	RS_A	Bridge A sense output	38	NC	Not connected
15	NC	Not connected	39	VM	Motor Voltage supply
16	OUT_A	Bridge A + output	40	NC	Not connected
17	OUT_A	Bridge A + output	41	VCC	Internal regulator voltage monitor
18	NC	Not connected	42	NC	Not connected
19	NC	Not connected	43	NC	Not connected
20	GND	Ground pin for Bridge A	44	NC	Not connected
21	NC	Not connected	45	NC	Not connected
22	OUT_A-	Bridge A - output	46	GND	Ground pin for Logic input
23	OUT_A-	Bridge A - output	47	VREF	Current customize for Bridge A and B
24	GND	Ground pin for Bridge A	48	TBLK_A	Bridge A Digital tBLK input

- Please do not connect any pattern to the NC pin.
- Please connect the pins with the same names, at the nearest point of the device.

Logic Input Function Table

(1) IN_A1, IN_A2 (Bridge A Controller)
Setting the drive mode of Bridge A

	PWM_A	IN_A1	IN_A2	OUT_A	OUT_A-	Function
INPUT	L	L	L	OFF (High impedance)	OFF (High impedance)	STOP(OFF)
	H					
	L	L	H	L	L	Short brake
	H			L	H	CCW
	L	H	L	L	L	Short brake
	H			H	L	CW
	L	H	H	L	L	Short brake
	H					

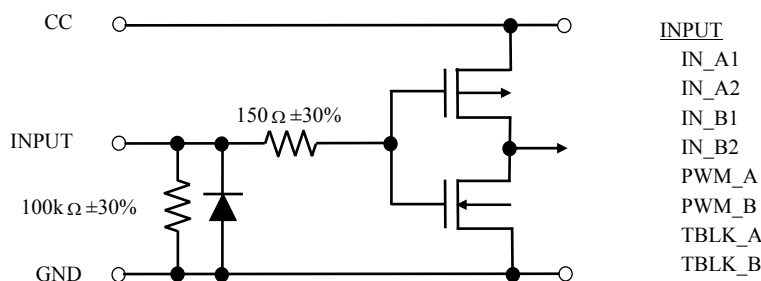
(2) IN_B1, IN_B2 (Bridge B Controller)
Setting the drive mode of Bridge B

	PWM_B	IN_B1	IN_B2	OUT_B	OUT_B-	Function
INPUT	L	L	L	OFF (High impedance)	OFF (High impedance)	Stop(OFF)
	H					
	L	L	H	L	L	Short brake
	H			L	H	CCW
	L	H	L	L	L	Short brake
	H			H	L	CW
	L	H	H	L	L	Short brake
	H					

(3) TBLK_A,B (Digital tBLK Controller)
Setting the noise reject timer

Name	Function	Input	Note
TBLK_A,B	Digital tBLK (Noise Reject timer)	Low	OSCM*4clk
		High	OSCM*6clk

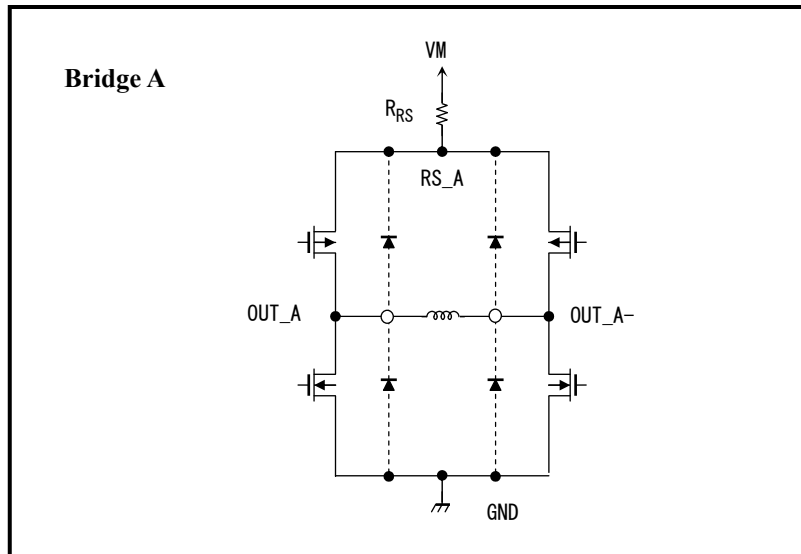
Equivalent Input Circuit



Please note that in the equivalent input circuit, functional blocks or constants may be omitted or simplified for explanatory purposes.

■ The example of combination of H-SW in each motor drive mode (the H-SW Connection)

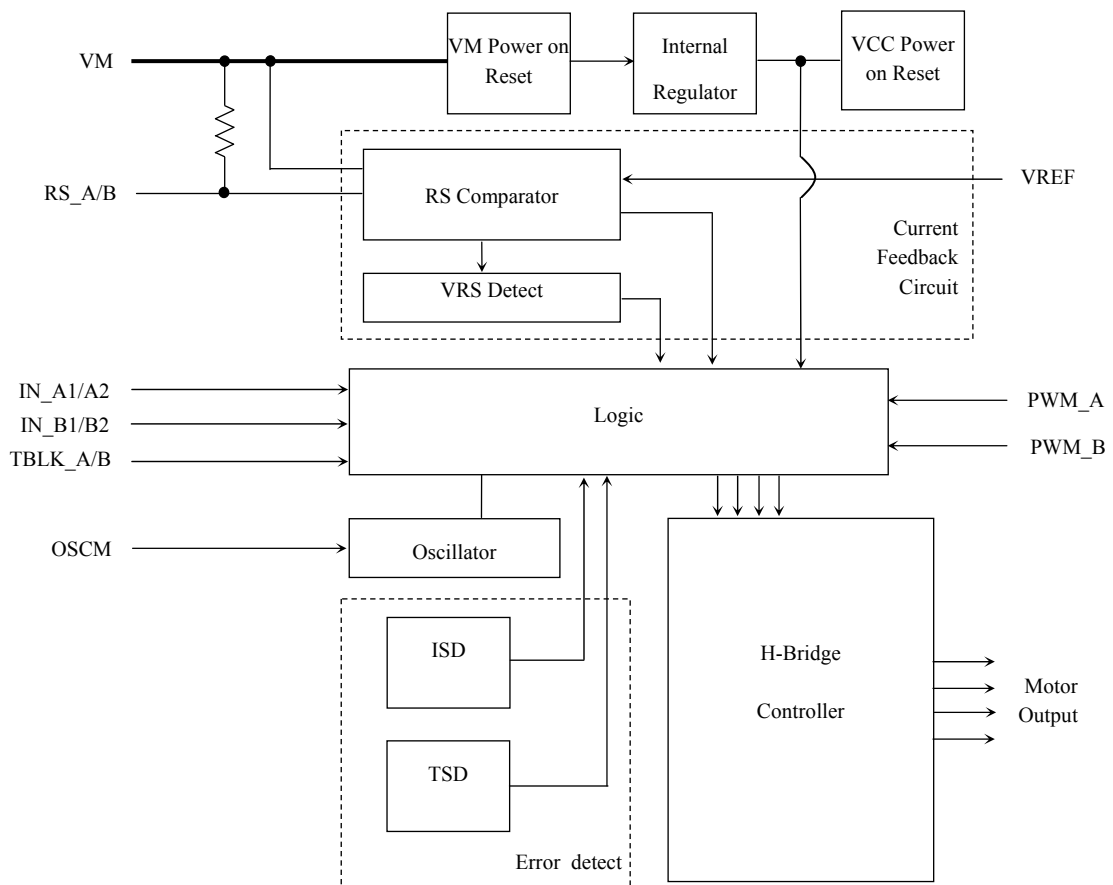
● Connection example for 1 DC Motor



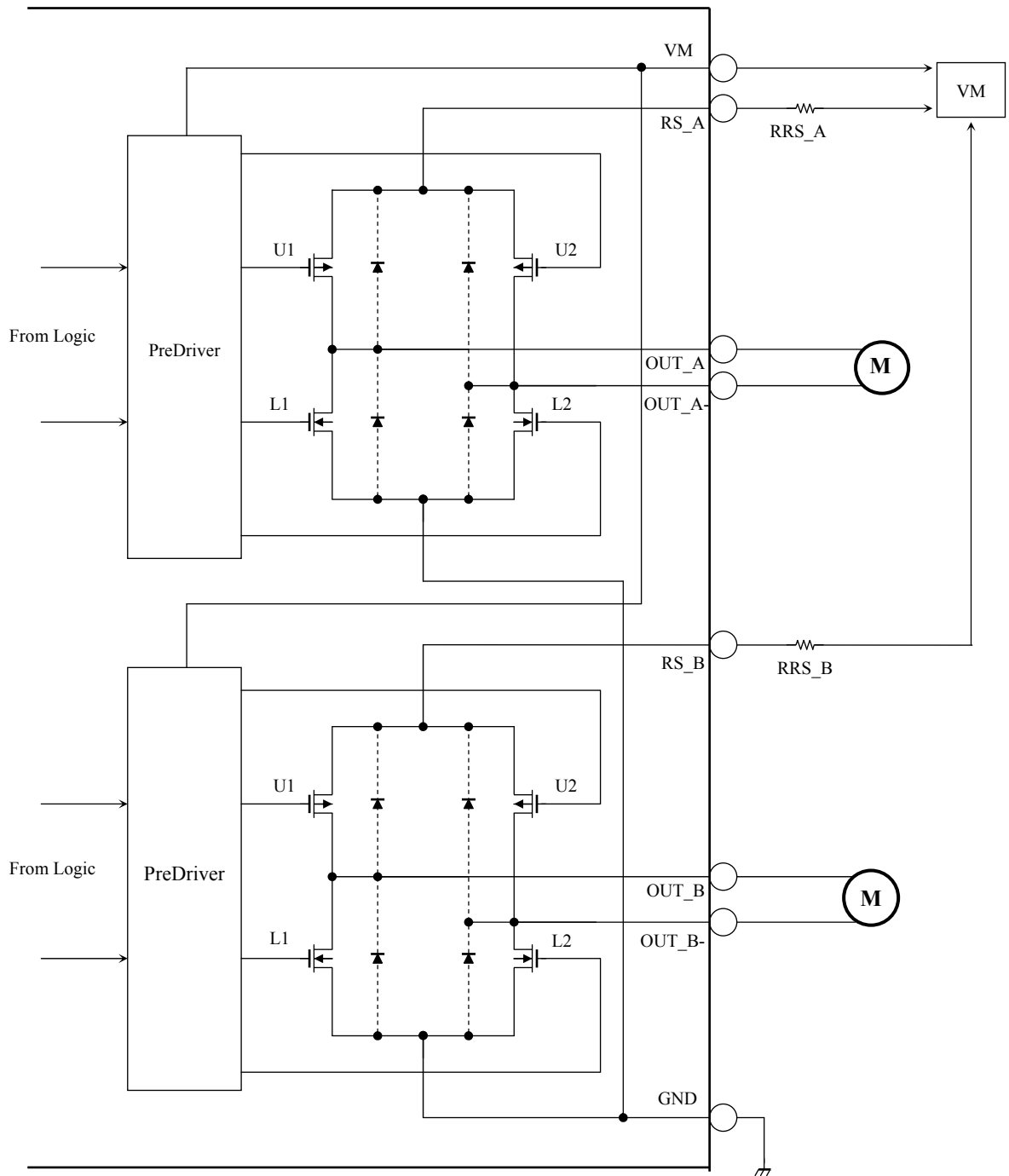
Please note that the functional blocks or constants may be omitted or simplified for explanatory purposes.

▪ Current feedback and current level set circuits

Note: Logic input pins are pulled down by 100kΩ internally; be sure to short unused logic pins to GND to avoid operation error.



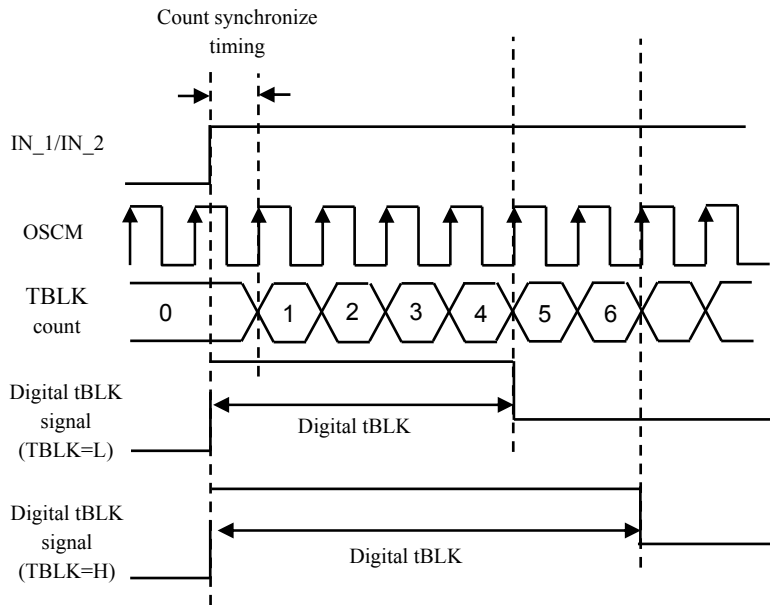
Equivalent Output Circuit (Bridge A, B)



Please note that the functional blocks or constants may be omitted or simplified for explanatory purposes.

1. Digital tBLK Function

TBLK	Blanking time
L	Digital tBLK = OSCM×4clk
H	Digital tBLK = OSCM×6clk



Please note that the timing charts or constants may be omitted or simplified for explanatory purposes.

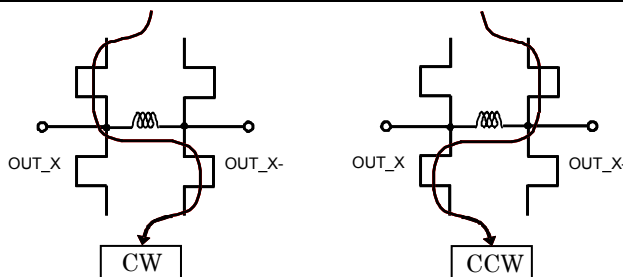
The digital tBLK is used to avoid error judgment of varistor recovery current that occurs in charge drive mode when H-bridges are used with DC motors. The digital tBLK time can be controlled through TBLK_A and TBLK_B pins.

By setting digital tBLK, direct PWM control and constant-current control is possible, but the motor current will rise above the predefined current level (NF) while digital tBLK is active.

Besides digital tBLK, analog tBLK settled by an internal constant of IC is also attached.

2. DC Motor Control Signal Function

	PWM_A	IN_A1	IN_A2	OUT_A	OUT_A-	Function
INPUT	L	L	L	OFF (High impedance)	OFF (High impedance)	STOP(OFF)
	H			L	L	Short brake
	L	L	H	L	H	CCW
	H			L	L	Short brake
	L	H	L	H	L	CW
	H			L	L	Short brake
	L	H	H	L	L	Short brake
	H			L	L	Short brake



Please note that the functional blocks or constants may be omitted or simplified for explanatory purposes.

• Absolute Maximum Ratings (Ta=25°C)

Characteristics	Symbol	Rating	Unit	Note
Motor power supply	VM	40	V	
Motor output voltage	V _{OUT}	40	V	
Motor output current	I _{OUT}	2.5	A	* 1: per 1 H-SW
	I _{OUT(peak)}	5.0	A	*2: (tw≤500ns)
RS pin voltage	VRS	VM ± 4.5	V	
Logic power supply	VCC	6	V	
Logic input voltage	VIN	-0.4 to 6.0	V	*3
VREF reference voltage	VREF	GND to 4.2V	V	
Power dissipation	PD	1.15	W	*4
Operating temperature	Topr	-20 to 85	°C	
Storage temperature	Tstg	-55 to 150	°C	
Junction temperature	Tj	150	°C	

*1: Motor output current is per 1 H-SW. While in use, please make sure that the motor current is controlled to be under 80 % of the absolute maximum ratings. (In this case, about 2.0A (max) per 1 H-SW).

*2: Motor output current peak width must be less than 500ns

*3: Logic input voltage must be input less than 6.0V

*4: The value in the state where it is not mounted on the board

Ta: Ambient temperature.

Topr: Operating ambient temperature.

Tj: Operating junction temperature. The maximum junction temperature is limited by the thermal shutdown.

Note: The absolute maximum ratings

The absolute maximum ratings are a specification that must not be exceeded, even for a moment.

Exceeding the ratings may cause device breakdown, damage or deterioration, and may result in injury by explosion or combustion.

Operating Ranges (Ta=0 to 85°C)

Characteristics	Symbol	Note	Min	Typ	Max	Unit
Motor power supply	VM		10	24	38	V
Motor output current	I _{OUT}	Ta=25°C, per 1 H-SW	-	1.2	2.0	A
	I _{OUT(peak)}	(tw≤500ns)	-	-	4.0	A
Logic input voltage	VIN(H)	Logic [High] level	2.0	3.3	5.5	V
	VIN(L)	Logic [Low] level	GND	-	0.8	V
PWM signal frequency	fchop	VM=24V	40	100	150	kHz
VREF reference voltage	VREF	VM=24V	GND	3.0	4.0	V

Note: Use the maximum junction temperature (Tj) at 120°C or less.

The maximum current cannot be used under certain thermal conditions.

Electrical Specifications 1 (Ta=25°C, VM=24V, unless specified otherwise)

Characteristics		Symbol	Test condition	Min	Typ	Max	Unit
Logic input voltage	High	VIN(H)	Logic input pins	2.0	-	5.4	V
	Low	VIN(L)		GND -0.4	GND	0.8	
Logic input hysteresis voltage		Hys	Logic input pins	0.1	0.2	0.3	V
Logic input current		IIN(H)	VIN(H)	-	50	70	μA
		IIN(L)	VIN(L)	-	-	1.0	
Power consumption		IM	Outputs: open IN_A1/A2/B1/B2:L fchop=100kHz Output off	-	5.0	7.0	mA
Output leakage current	High-side	IOH	VRS=VM=24V, Vout=0V, (IN_A1,IN_A2)=(L,L) (IN_B1,IN_B2)=(L,L)	-1	-	-	μA
	Low-side	IOL	VRS=VM=Vout=24V, (IN_A1,IN_A2)=(L,L) (IN_B1,IN_B2)=(L,L)	-	-	1	μA
Bridge-to-Bridge current differential		ΔI_{out1}	Bridge A,B current differential, Iout=2.0A	-5	-	5	%
Output current error relative to the predetermined value		ΔI_{out2}	Iout=2.0A	-5	-	5	%
RS pin voltage		ΔVRS	-	0	0.6	0.8	V
RS pin current		IRS	VM=VRS=24V IN_A1/A2/B1/B2:L	-	-	10	μA
Drain-source ON-resistance (The sum of high side & low side)		Ron(D-S)	Iout=2.0A, Tj=25°C	-	1.0	1.5	Ω

Electrical Specifications 2 (Ta=25°C, VM=24V, unless specified otherwise)

Characteristics	Symbol	Test condition	Min	Typ	Max	Unit
Internal regulator voltage	VCC	ICC=5.0mA	4.75	5.0	5.25	V
Internal regulator current	ICC	-	-	2.5	5.0	mA
VREF input voltage	VREF	VM=24V, Output: OFF	GND	3.0	4.0	V
VREF input current	IREF	VREF=3.0V, Output: ON	0	-	10	μA
VREF gain rate	VREF(gain)	VREF=3.0V, Output: ON	1/5.3	1/5.1	1/4.9	-
TSD threshold	Tj TSD	(Note 1)	140	150	160	°C
VCC power on reset voltage	VCCPOR	VM=24V	2.0	3.0	4.0	V
VM power on reset voltage	VMPOR	-	6.0	-	8.0	V
Over current threshold	ISD	Fchop=100kHz (Note 2)	2.6	3.6	4.6	A
Over voltage threshold	VRS det	VM-RS pin voltage	0.9	1.5	-	V

Note 1: Thermal shutdown (TSD) circuit

When the junction temperature of the device reaches the TSD threshold, the TSD circuit is triggered; the internal reset circuit then turns off the output transistors. The TSD circuit threshold is between 140 °C (min) and 160 °C (max). Once the TSD circuit is triggered, the device keeps the output off until power-on reset (POR), is reasserted.

Note 2: Over-current/voltage shutdown (ISD/VRS) circuit

When the output current or the RS pin voltage reaches the threshold, the ISD circuit is triggered; the internal reset circuit then turns off the output transistors. Once the ISD circuit is triggered, the device keeps the output off until power-on reset (POR), is reasserted. For fail-safe, please insert a fuse to avoid secondary trouble.

AC Electrical Specifications (Ta=25°C, VM=24V, 6.8mH+5.7 Ω)

Characteristics	Symbol	Test condition	Min	Typ	Max	Unit
Logic input frequency	f _{Logic}	f _{OSCM} =1600kHz	-	-	200	kHz
Minimum phase pulse width	tw(tLogic)	-	100	-	-	ns
	twp		50	-	-	
	twn		50	-	-	
Output transistor switching characteristics	tr	-	-	0.2	-	μs
	tf		-	0.2	-	
	tpLH(IN_X)	Phase to OUT	-	1	-	
	tpHL(IN_X)		-	1.5	-	
	tpLH(OSC)	OSC to OUT	-	0.5	-	
	tpHL(OSC)		-	1	-	
Analog blanking time for current spike elimination	AtBLK	I _{out} =0.6A, VM=24V Analog tBLK	250	400	550	ns
Digital blanking time for current spike elimination	DtBLK(L)	TBLK:L, f _{OSCM} =1600kHz Digital tBLK	-	2.5	-	μs
	DtBLK(H)	TBLK:H, f _{OSCM} =1600kHz Digital tBLK	-	3.75	-	μs
OSC oscillation reference frequency	f _{OSCM}	C=270pF, R=3.6kΩ	1.2	1.6	2.0	MHz
Chopping frequency	f _{chop}	f _{OSCM} =1.6MHz	-	100	-	kHz

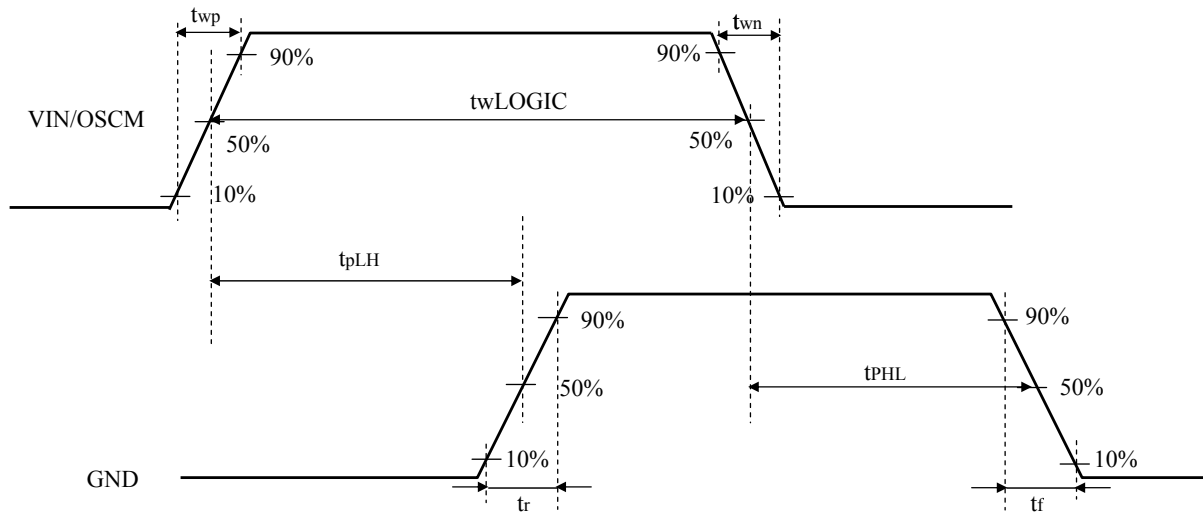


Fig.1 Timing Charts of Input Phase Signal and Output Transistor Switching

Timing charts may be simplified for explanatory purpose.

Calculation of the Predefined Output Current

The peak output current can be set via the current-sensing resistor (RRS) and the reference voltage (VREF), as follows:

$$I_{OUT} = \frac{VREF \times VREF(\text{gain})}{RRS}$$

VREF (gain) is Vref reduction rate that is a fixed value of 1/5.1. For example, to calculate the motor output current threshold:

$$I_{OUT} = \frac{3.0(V) \times 1/5.1}{0.51(\Omega)} = 1.15(A)$$

1/5.1 is the VREF gain rate. For the value of VREF gain rate, see the Electrical Characteristics Table.

Calculation of the chopping frequency

The chopping frequency is 1/16 of f_{OSCM} . When f_{OSCM} is 1600 kHz, the chopping frequency is as follows:

$$f_{chop} = f_{OSCM} / 16 = 1600/16 = 100 \text{ (kHz)}$$

IC Power Consumption

The power consumed by the TB62216FNG is approximately the sum of the following:

- (1) the power consumed by the output transistors
- (2) the power consumed by the digital logic and pre-drivers.

(1) The power consumed by the output transistors is calculated, using the R_{ON} (D-S) value of $1.0\ \Omega$.

Whether in Charge, Fast Decay or Slow Decay mode, two of the four transistors comprising each H-bridge contribute to its power consumption at a given time.

Thus the power consumed by each H-bridge is given by:

$$P_{OUT} = I_{OUT} (A) \times V_{DS}(V) = 2 \times I_{OUT}^2 \times R_{ON} \dots\dots\dots (1)$$

In two-phase excitation mode (in which two phases have a phase difference of 90°), the average power consumption in the output transistors is calculated as follows:

$$\begin{aligned} R_{ON} &= 1.0\ \Omega \\ I_{OUT}(\text{peak:typ}) &= 1.0\text{A} \\ P(\text{OUT}) &= 1(\text{ ch}) \times 1.0^2(\text{A}) \times 1.0(\Omega) = 1.0(\text{W}) \dots\dots\dots (2) \end{aligned}$$

(2) The power consumption in the IM domain is calculated separately for normal operation and standby modes:

Normal operation mode: $I_M = 5.0\text{mA}$ (typ.)

The current consumed in the digital logic portion of the TB62216FNG is indicated as I_M . The digital logic operates off a voltage regulator internally connected to the VM power supply. It consists of the digital logic connected to VM(24V) and the network affected by the switching of the output transistors. The total power consumed by IM can be estimated as:

$$P(\text{IM}) = 24(\text{V}) \times 0.005(\text{A}) = 0.12(\text{W}) \dots\dots\dots (3)$$

3) The total power consumption of the TB62216FNG

From the result of the two above-mentioned formulas

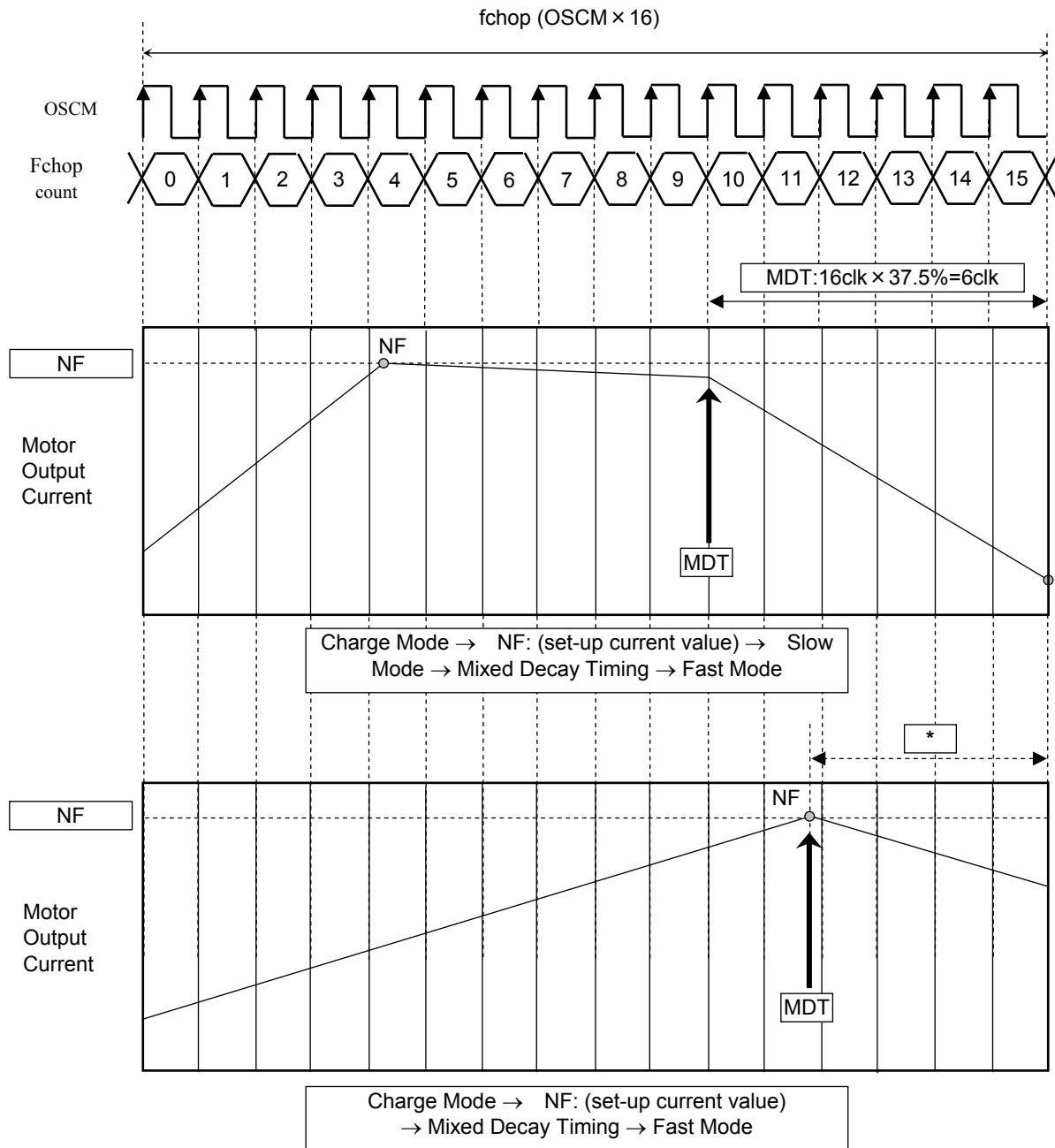
$$P = P(\text{OUT}) + P(\text{IM}) = 1.12(\text{W})$$

Board design should be fully verified, taking thermal dissipation into consideration.

Current figures of Mixed Decay Mode

The regeneration after reaching setup current is controlled in the order of Fast->Slow (fast decay → slow decay).

The timing from fast regeneration to slow regeneration is 37.5% fixation of fchop.

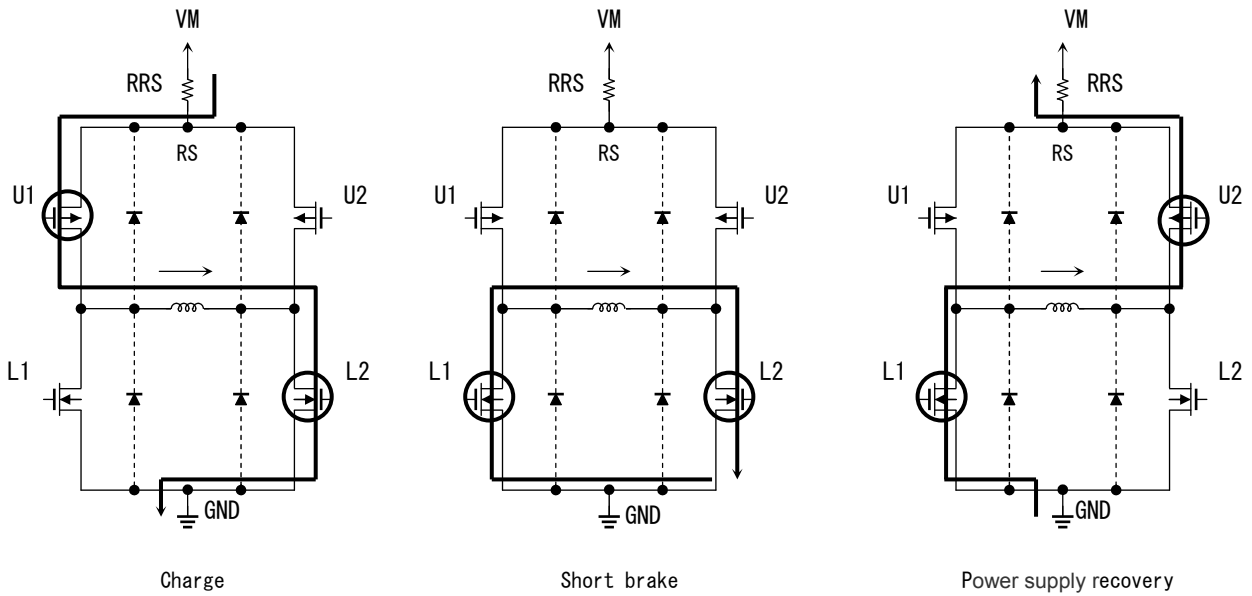


Note: About Mixed Decay Timing

Mixed Decay Timing (MDT) is a unique value of the TB62216FNG ($f_{chop} \times 37.5\%$), but when the motor output current reaches NF (Itrip) threshold after MDT, the rest of fchop (*) becomes fast decay mode.

Timing charts may be simplified for explanatory purposes.

Output Transistor Operation Mode



Some of the functional blocks, circuits, or constants omitted or simplified for explanatory purpose.

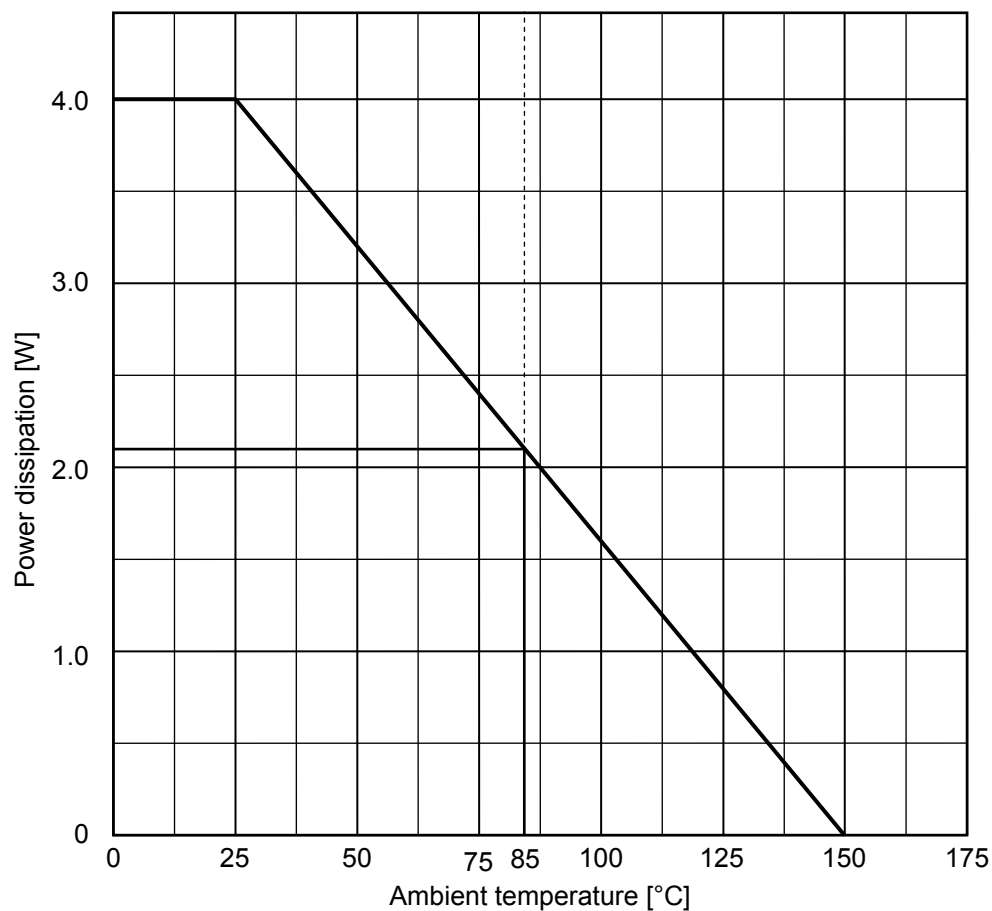
Output Transistor Operational Function

Mode	U1	L1	U2	L2
Charge	ON	OFF	OFF	ON
Slow/Short brake	OFF	ON	OFF	ON
Power supply recovery	OFF	ON	ON	OFF

Note: The parameters shown in the table above are examples when the current flows in the directions shown in the figures above. For the current flowing in the reverse direction, the parameters change as shown in the table below.

Mode	U1	L1	U2	L2
Charge	OFF	ON	ON	OFF
Slow/Short brake	OFF	ON	OFF	ON
Power supply recovery	ON	OFF	OFF	ON

PD – Ta (package power dissipation)

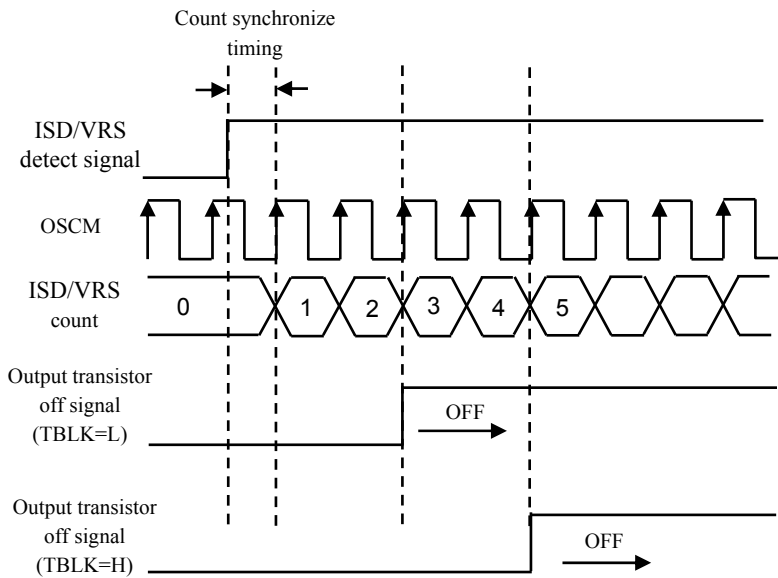


(1) $R\theta(j-a) = 108 [^{\circ}\text{C}/\text{W}]$: typ: LSI is not mounted on the board
 If T_a exceeds 25°C , it needs to derate by $10\text{mW}/^{\circ}\text{C}$

(2) $R\theta(j-a) = 30 [^{\circ}\text{C}/\text{W}]$: typ: mounted on 2 layer board, Cu thickness: $55\mu\text{m}$, Size: $100\text{ mm} \times 110\text{ mm} \times 1.6\text{ mm}$,
 If T_a exceeds 25°C , it needs to derate by $26\text{mW}/^{\circ}\text{C}$

Over Current Detection (ISD) and Over Voltage of RS detection of (VRS) features

•Detect timing



Timing charts may be simplified for explanatory purpose.

Over Current Eetection (ISD) and Over Voltage of RS detection (VRS) have blanking time to reject irr, switching noise and inrush current. This blanking time is based on the internal OSC (OSCM) frequency.

$$\text{ISD, VRS blanking time} = \text{OSCM} \times 3\text{CLK}$$

After detecting ISD / VRS, the detect signal and the internal OSC (OSCM) synchronizes for count up; therefore, the output transistor is turned off after additional 1 CLK (max).

$$\text{ISD, VRS detection time} = \text{OSCM} \times 4\text{CLK}$$

ISD and VRS do not necessarily guarantee complete IC safety. If the device is used beyond the specified operating ranges, these circuits may not operate properly; then the device may be owing to an output short circuit.

To avoid secondary trouble, please insert fuse to VM line for fail-safe.

•tBLK (blanking time for noise cancellation) features

Two types of dead time (blanking time) are incorporated according to the motor driver structures mainly to prevent error operation due to noise caused by switching.

<Digital tBLK>

The digital tBLK is used to avoid error judgment of varistor recovery current that occurs in charge drive mode when H-bridges are used with DC motors. The digital tBLK time can be controlled through TBLK_A and TBLK_B pins.

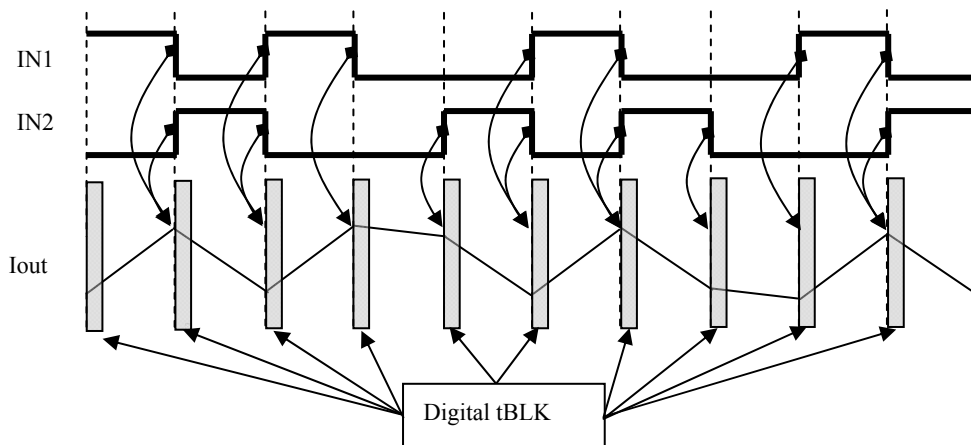
- TBLK_A/B=Low level: OSCM×4clk
- TBLK_A/B=High level: OSCM×6clk

The digital tBLK is based on the internal oscillator (OSCM) frequency; therefore if the OSCM is changed by the constant(s), the digital tBLK time will also change.

<Analog tBLK>

“The dead time for noise cancellation (analog tBLK)” specified according to the motor block AC characteristics is a fixed time incorporated in the TB62216FNG. This is mainly used for avoiding error judgment of irr (diode recovery current). The analog tBLK time is a unique value of the TB62216FNG (internal timer of the TB62216FNG) controlled by an inserted low-pass filter with a fixed time of 400 ns (typ.).

• Digital tBLK timing for DC motor

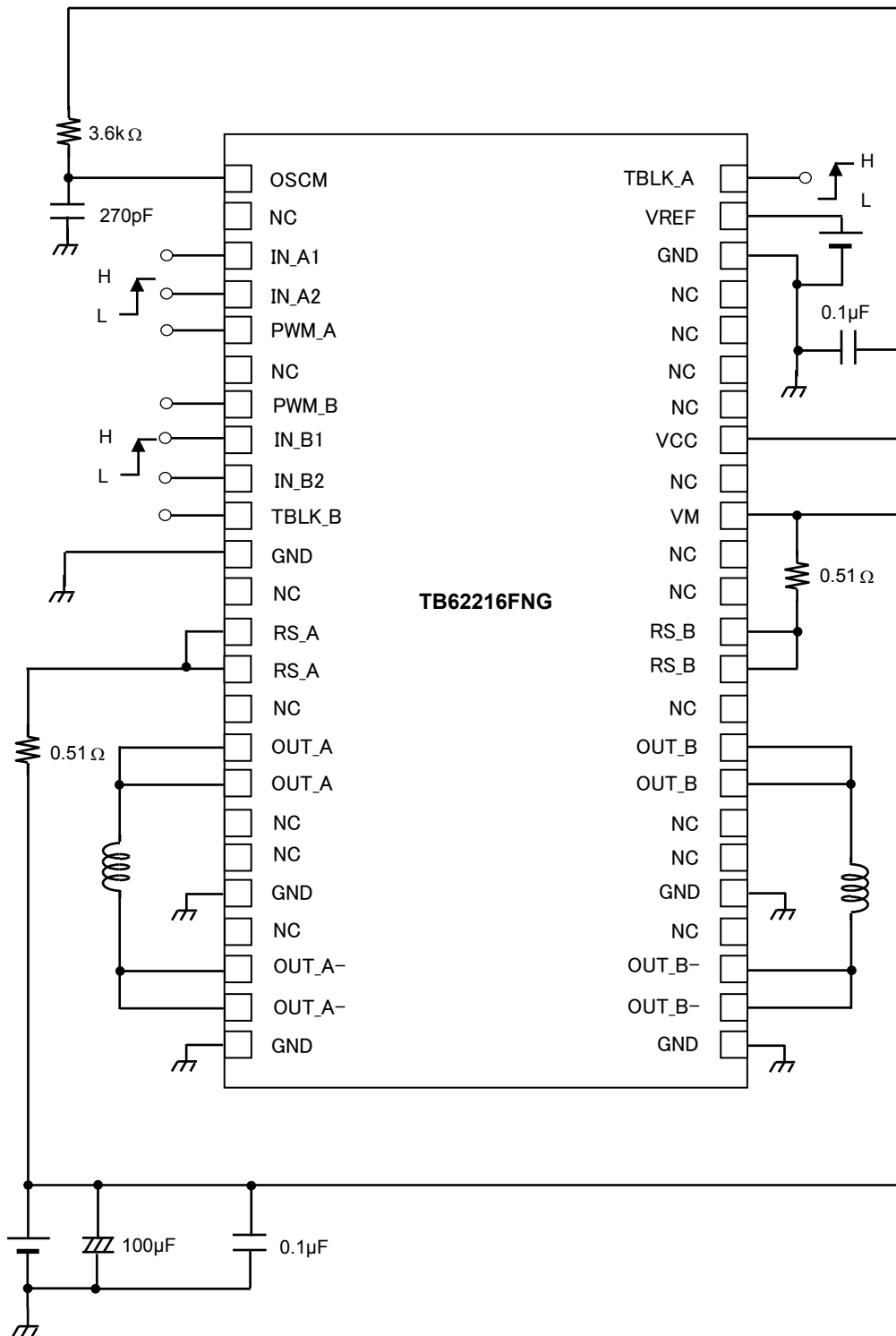


The digital tBLANK is inserted at the beginning of each charge period of the constant current chopping, and also when the IN_1 or IN_2 is switched.

Timing charts may be simplified for explanatory purpose.

Application Circuit Example

TB62216FNG (HTSSOP48)

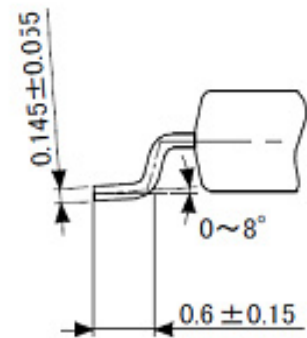
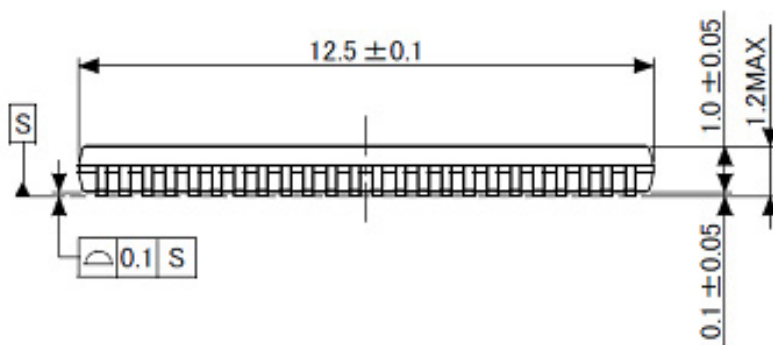
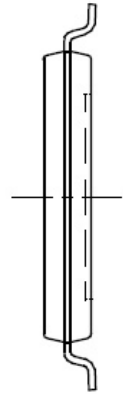
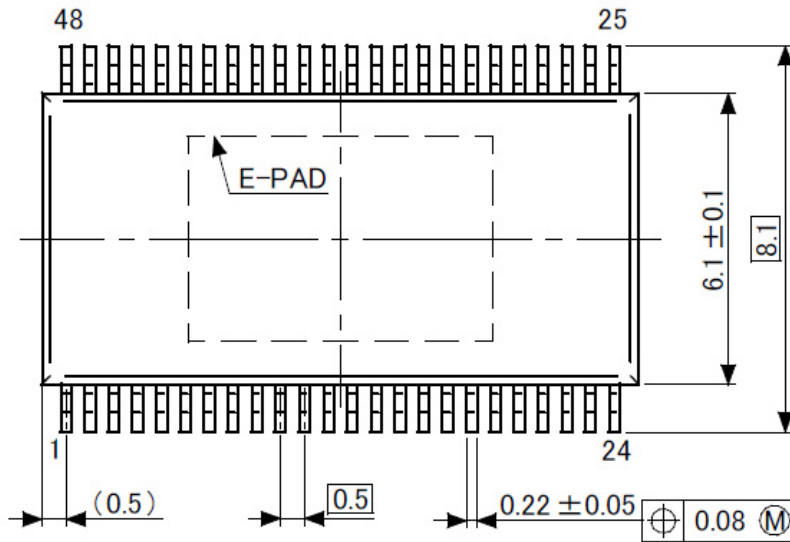


The application circuit above is an example; therefore, mass-production design is not guaranteed.

Package Dimensions

HTSSOP48-P300-0.50

Unit :mm



Notes on Contents

Block Diagrams

Some of the functional blocks, circuits, or constants in the block diagram may be omitted or simplified for explanatory purposes.

Equivalent Circuits

The equivalent circuit diagrams may be simplified or some parts of them may be omitted for explanatory purposes.

Timing Charts

Timing charts may be simplified for explanatory purposes.

Application Circuits

The application circuits shown in this document are provided for reference purposes only. Thorough evaluation is required at the mass production design stage. Toshiba does not grant any license to any industrial property rights by providing these examples of application circuits.

Test Circuits

Components in the test circuits are used only to obtain and confirm the device characteristics. These components and circuits are not guaranteed to prevent malfunction or failure from occurring in the application equipment.

IC Usage Considerations

Notes on handling of ICs

The absolute maximum ratings of a semiconductor device are a set of ratings that must not be exceeded, even for a moment. Do not exceed any of these ratings. Exceeding the rating(s) may cause device breakdown, damage or deterioration, and may result in injury by explosion or combustion.

Use an appropriate power supply fuse to ensure that a large current does not continuously flow in the case of over-current and/or IC failure. The IC will fully break down when used under conditions that exceed its absolute maximum ratings, when the wiring is routed improperly or when an abnormal pulse noise occurs from the wiring or load, causing a large current to continuously flow and the breakdown can lead to smoke or ignition. To minimize the effects of the flow of a large current in the case of breakdown, appropriate settings, such as fuse capacity, fusing time and insertion circuit location, are required.

If your design includes an inductive load such as a motor coil, incorporate a protection circuit into the design to prevent device malfunction or breakdown caused by the current resulting from the inrush current at power ON or the negative current resulting from the back electromotive force at power OFF. IC breakdown may cause injury, smoke or ignition. Use a stable power supply with ICs with built-in protection functions. If the power supply is unstable, the protection function may not operate, causing IC breakdown. IC breakdown may cause injury, smoke or ignition.

Do not insert devices in the wrong orientation or incorrectly. Make sure that the positive and negative terminals of power supplies are connected properly. Otherwise, the current or power consumption may exceed the absolute maximum rating, and exceeding the rating(s) may cause device breakdown, damage or deterioration, and may result in injury by explosion or combustion. In addition, do not use any device that has been inserted incorrectly.

Please take extra care when selecting external components (such as power amps and regulators) or external devices (for instance, speakers). When large amounts of leak current occurs from capacitors, the DC output level may increase. If the output is connected to devices such as speakers with low resist voltage, overcurrent or IC failure may cause smoke or ignition. (The over-current may cause smoke or ignition from the IC itself.) In particular, please pay attention when using a Bridge Tied Load (BTL) connection-type IC that inputs output DC voltage to a speaker directly.

Points to remember on handling of ICs**Over current Protection Circuit**

Over current protection circuits (referred to as current limiter circuits) do not necessarily protect ICs under all circumstances. If the Over current protection circuits operate against the over current, clear the over current status immediately.

Depending on the method of use and usage conditions, such as exceeding absolute maximum ratings can cause the over current protection circuit to not operate properly or IC breakdown before operation. In addition, depending on the method of use and usage conditions, if over current continues to flow for a long time after operation, the IC may generate heat resulting in breakdown.

Thermal Shutdown Circuit

Thermal shutdown circuits do not necessarily protect ICs under all circumstances. If the thermal shutdown circuits operate against the over temperature, clear the heat generation status immediately.

Depending on the method of use and usage conditions, such as exceeding absolute maximum ratings can cause the thermal shutdown circuit to not operate properly or IC breakdown before operation.

Heat Radiation Design

In using an IC with large current flow such as power amp, regulator or driver, please design the device so that heat is appropriately radiated, not to exceed the specified junction temperature (T_J) at any time and condition. These ICs generate heat even during normal use. An inadequate IC heat radiation design can lead to decrease in IC life, deterioration of IC characteristics or IC breakdown. In addition, please design the device taking into consideration the effect of IC heat radiation with peripheral components.

Back-EMF

When a motor rotates in the reverse direction, stops or slows down abruptly, a current flow back to the motor's power supply due to the effect of back-EMF. If the current sink capability of the power supply is small, the device's motor power supply and output pins might be exposed to conditions beyond absolute maximum ratings. To avoid this problem, take the effect of back-EMF into consideration in system design.

RESTRICTIONS ON PRODUCT USE

- Toshiba Corporation, and its subsidiaries and affiliates (collectively "TOSHIBA"), reserve the right to make changes to the information in this document, and related hardware, software and systems (collectively "Product") without notice.
- This document and any information herein may not be reproduced without prior written permission from TOSHIBA. Even with TOSHIBA's written permission, reproduction is permissible only if reproduction is without alteration/omission.
- Though TOSHIBA works continually to improve Product's quality and reliability, Product can malfunction or fail. Customers are responsible for complying with safety standards and for providing adequate designs and safeguards for their hardware, software and systems which minimize risk and avoid situations in which a malfunction or failure of Product could cause loss of human life, bodily injury or damage to property, including data loss or corruption. Before customers use the Product, create designs including the Product, or incorporate the Product into their own applications, customers must also refer to and comply with (a) the latest versions of all relevant TOSHIBA information, including without limitation, this document, the specifications, the data sheets and application notes for Product and the precautions and conditions set forth in the "TOSHIBA Semiconductor Reliability Handbook" and (b) the instructions for the application with which the Product will be used with or for. Customers are solely responsible for all aspects of their own product design or applications, including but not limited to (a) determining the appropriateness of the use of this Product in such design or applications; (b) evaluating and determining the applicability of any information contained in this document, or in charts, diagrams, programs, algorithms, sample application circuits, or any other referenced documents; and (c) validating all operating parameters for such designs and applications. **TOSHIBA ASSUMES NO LIABILITY FOR CUSTOMERS' PRODUCT DESIGN OR APPLICATIONS.**
- Product is intended for use in general electronics applications (e.g., computers, personal equipment, office equipment, measuring equipment, industrial robots and home electronics appliances) or for specific applications as expressly stated in this document. Product is neither intended nor warranted for use in equipment or systems that require extraordinarily high levels of quality and/or reliability and/or a malfunction or failure of which may cause loss of human life, bodily injury, serious property damage or serious public impact ("Unintended Use"). Unintended Use includes, without limitation, equipment used in nuclear facilities, equipment used in the aerospace industry, medical equipment, equipment used for automobiles, trains, ships and other transportation, traffic signaling equipment, equipment used to control combustions or explosions, safety devices, elevators and escalators, devices related to electric power, and equipment used in finance-related fields. Do not use Product for Unintended Use unless specifically permitted in this document.
- Do not disassemble, analyze, reverse-engineer, alter, modify, translate or copy Product, whether in whole or in part.
- Product shall not be used for or incorporated into any products or systems whose manufacture, use, or sale is prohibited under any applicable laws or regulations.
- The information contained herein is presented only as guidance for Product use. No responsibility is assumed by TOSHIBA for any infringement of patents or any other intellectual property rights of third parties that may result from the use of Product. No license to any intellectual property right is granted by this document, whether express or implied, by estoppel or otherwise.
- **ABSENT A WRITTEN SIGNED AGREEMENT, EXCEPT AS PROVIDED IN THE RELEVANT TERMS AND CONDITIONS OF SALE FOR PRODUCT, AND TO THE MAXIMUM EXTENT ALLOWABLE BY LAW, TOSHIBA (1) ASSUMES NO LIABILITY WHATSOEVER, INCLUDING WITHOUT LIMITATION, INDIRECT, CONSEQUENTIAL, SPECIAL, OR INCIDENTAL DAMAGES OR LOSS, INCLUDING WITHOUT LIMITATION, LOSS OF PROFITS, LOSS OF OPPORTUNITIES, BUSINESS INTERRUPTION AND LOSS OF DATA, AND (2) DISCLAIMS ANY AND ALL EXPRESS OR IMPLIED WARRANTIES AND CONDITIONS RELATED TO SALE, USE OF PRODUCT, OR INFORMATION, INCLUDING WARRANTIES OR CONDITIONS OF MERCHANTABILITY, FITNESS FOR A PARTICULAR PURPOSE, ACCURACY OF INFORMATION, OR NONINFRINGEMENT.**
- Do not use or otherwise make available Product or related software or technology for any military purposes, including without limitation, for the design, development, use, stockpiling or manufacturing of nuclear, chemical, or biological weapons or missile technology products (mass destruction weapons). Product and related software and technology may be controlled under the Japanese Foreign Exchange and Foreign Trade Law and the U.S. Export Administration Regulations. Export and re-export of Product or related software or technology are strictly prohibited except in compliance with all applicable export laws and regulations.
- Please contact your TOSHIBA sales representative for details as to environmental matters such as the RoHS compatibility of Product. Please use Product in compliance with all applicable laws and regulations that regulate the inclusion or use of controlled substances, including without limitation, the EU RoHS Directive. TOSHIBA assumes no liability for damages or losses occurring as a result of noncompliance with applicable laws and regulations.

单击下面可查看定价，库存，交付和生命周期等信息

[>>Toshiba\(东芝\)](#)