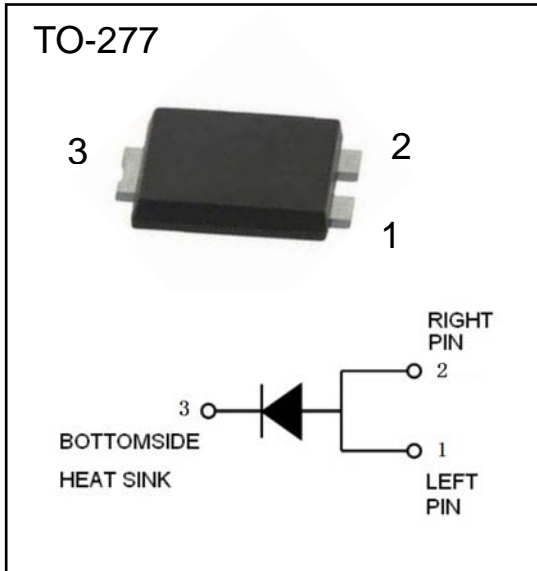


SURFACE MOUNT SCHOTTKY BARRIER RECTIFIER



Features

- ◆ Schottky Barrier Chip
- ◆ High Thermal Reliability
- ◆ Patented Super Barrier Rectifier Technology
- ◆ High Forward Surge Capability
- ◆ Ultra Low Power Loss, High Efficiency
- ◆ Excellent High temperature Stability
- ◆ Plastic material-UL flammability 94V-0

Mechanical Data

- ◆ **Case** : JEDEC TO-277 Molded plastic body
- ◆ **Terminals** :Plated Leads Solderable per MIL-STD-202,Method 208
- ◆ **Polarity** : Polarity symbol marking on body
- ◆ **Mounting Position** : Any
- ◆ **Weight** : 0.003 ounce, 0.092 grams

Maximum Ratings And Electrical Characteristics

Ratings at 25°C ambient temperature unless otherwise specified.

Single phase half-wave 60Hz, resistive or inductive load, for capacitive load current derate by 20%.

| Parameter | SYMBOLS | SB1045L | SB1050L | SB1060L | SB1080L | SB10100L | SB10150L | UNIT |
|--|------------------------------------|-------------|---------|---------|---------|----------|----------|--------------|
| Marking Code | | SB1045L | SB1050L | SB1060L | SB1080L | SB10100L | SB10150L | |
| Maximum repetitive peak reverse voltage | V_{RRM} | 45 | 50 | 60 | 80 | 100 | 150 | V |
| Maximum working peak reverse voltage | V_{RWM} | | | | | | | |
| Maximum DC blocking voltage | V_{DC} | | | | | | | |
| RMS Reverse voltage | V_{RMS} | 32 | 35 | 42 | 56 | 70 | 105 | V |
| Average Rectified Output Current | $I_{(o)}$ | 10 | | | | | | A |
| Non-Repetitive Peak Forward Surge 8.3ms Single Half Sine-Wave Superimposed on rated load(JEDEC Method) | I_{FSM} | 150 | | | | | | A |
| Forward Voltage Drop at 10.0A $T_A=25^\circ C$ | V_F | 0.5 | 0.55 | 0.75 | 0.78 | | | V |
| Peak reverse current at rated DC blocking voltage $T_A=25^\circ C$ $T_A=125^\circ C$ | I_R | 0.3 15 | | | | | | mA |
| Typical thermal resistance Junction to Ambient | $R_{\theta JA}$ $R_{\theta JL}$ | 80 15 | | | | | | $^\circ C/W$ |
| Operating junction and storage temperature range | T_J, T_{STG} | -55 to +150 | | | | | | $^\circ C$ |

Note:1. Valid Provided that are kept at ambient temperature at a distance of 9.5mm from the case.

2. Fr-4pcb. 2oz. Copper, minimum recommend pad layout .18.8mm×14.4. Anode pad dimensions 5.6mm×14.4mm.

Typical Characteristics

Fig.1 - Forward Current Derating Curve

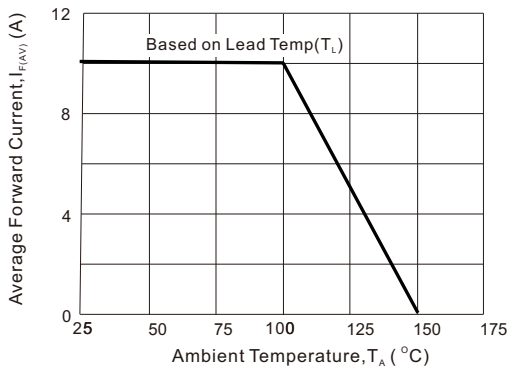


Fig2 : Instantaneous Forward Voltage

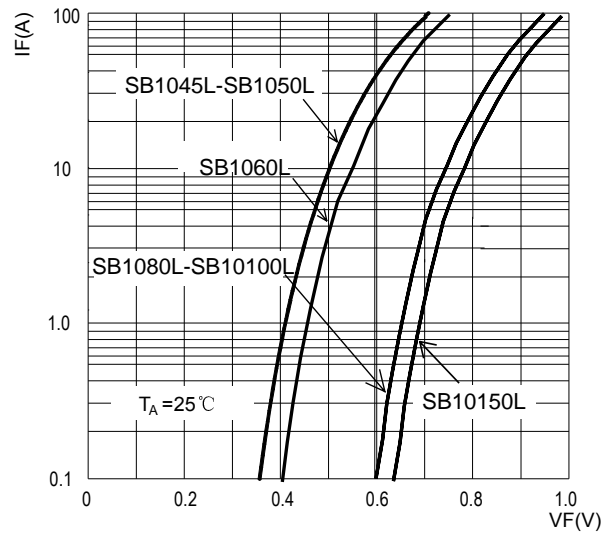


Fig3: Surge Forward Current Capacity

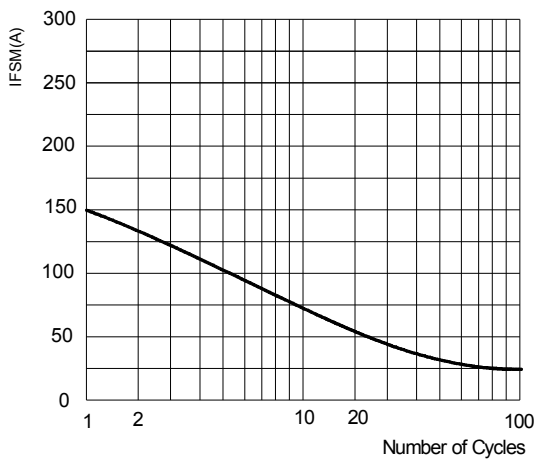
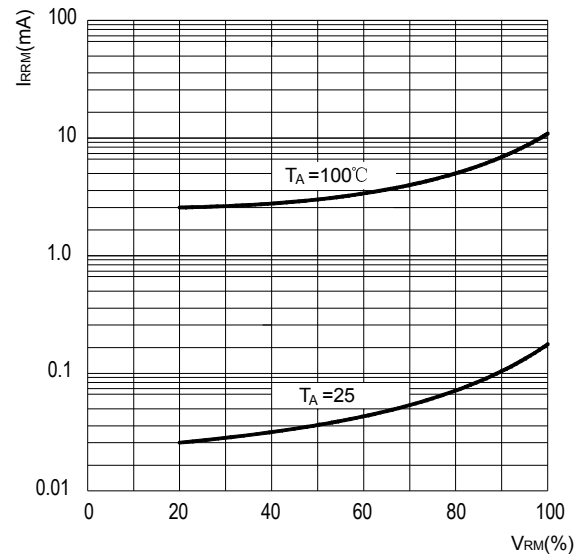


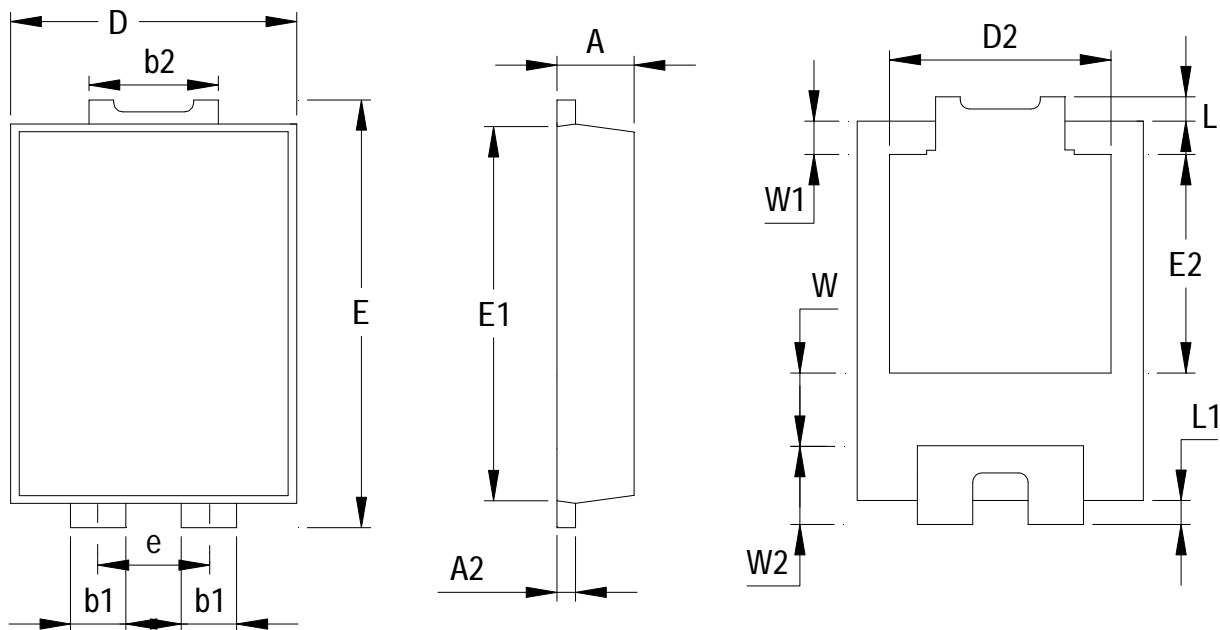
Fig4: Typical Reverse Characteristics



Package Dimension

TO-277

Units: mm



| NO | Dimensions | NO | Dimensions |
|-----------------------------|------------|------|------------|
| A | 1.10±0.10 | e | 1.8Typ |
| A2 | 0.30±0.10 | E1 | 5.40±0.10 |
| b1 | 0.9±0.10 | E2 | 3.6±0.20 |
| b2 | 1.8±0.10 | L/L1 | 0.6±0.10 |
| D | 4.00±0.10 | W | 1.2±0.2 |
| D2 | 3.15Typ | W1 | 0.50±0.20 |
| E | 6.50±0.10 | W2 | 1.3±0.2 |
| All Dimensions in mm | | | |

单击下面可查看定价，库存，交付和生命周期等信息

[>>TWGMC\(台湾迪嘉\)](#)