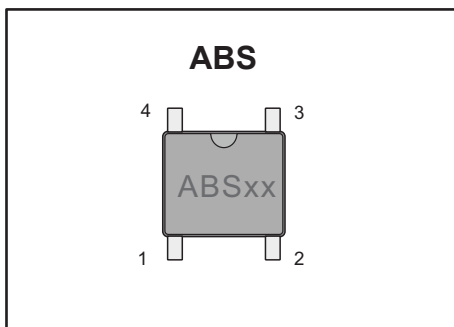


SINGLE PHASE GLASS PASSIVATED BRIDGE RECTIFIERS

PINNING

PIN	DESCRIPTION
1	Input Pin (~)
2	Input Pin (~)
3	Output Anode (+)
4	Output Cathode (-)



Features

- ◆ The plastic package carries Underwriters Laboratory Flammability Classification 94V-0
- ◆ Idea for printed circuit board
- ◆ Glass passivated Junction chip
- ◆ Low reverse leakage
- ◆ High forward surge current capability
- ◆ High temperature soldering guaranteed 250°C/10 seconds at terminals

Mechanical Data

- ◆ **Case:** Molded plastic body
- ◆ **Terminals:** Solder plated, solderable per MIL-STD-750, Method 2026
- ◆ **Polarity:** Polarity symbol marking on body
- ◆ **Mounting Position:** Any
- ◆ **Weight :** 0.004 ounce, 0.12 grams

Maximum Ratings And Electrical Characteristics

Ratings at 25°C ambient temperature unless otherwise specified. Single phase half-wave 60Hz, resistive or inductive load, for capacitive load current derate by 20%.

Parameter	SYMBOLS	ABS22	ABS24	ABS26	ABS28	ABS210	UNITS
Maximum repetitive peak reverse voltage	V_{RRM}	200	400	600	800	1000	VOLTS
Maximum RMS voltage	V_{RMS}	140	280	420	560	700	VOLTS
Maximum DC blocking voltage	V_{DC}	200	400	600	800	1000	VOLTS
Maximum average forward rectified current at $T_A=30^\circ C$ On glass-epoxy P.C.B (Note 1)	$I_{(AV)}$	2.0					Amp
Peak forward surge current 8.3ms single half sine-wave superimposed on rated load (JEDEC Method)	I_{FSM}	50.0					Amps
Maximum instantaneous forward voltage at 2.0A	V_F	1.1					Volts
Maximum DC reverse current $T_A = 25^\circ C$ at rated DC blocking voltage $T_A=125^\circ C$	I_R	5.0 500					μA
Typical junction capacitance (Note 3)	C_J	15.0					pF
Typical thermal resistance	R_{qJA}	75.0					$^\circ C/W$
Operating junction and storage temperature range	T_J, T_{STG}	-55 to +150					$^\circ C$

- Note:**
1. Mounted on glass epoxy PC board with 1.3*1.3mm solder pad
 2. Mounted on aluminum substrate PC board with 1.3*1.3mm solder pad
 3. Measured at 1MHz and applied reverse voltage of 4.0V D.C.

FIG. 1- DERATING CURVE OUTPUT RECTIFIED CURRENT

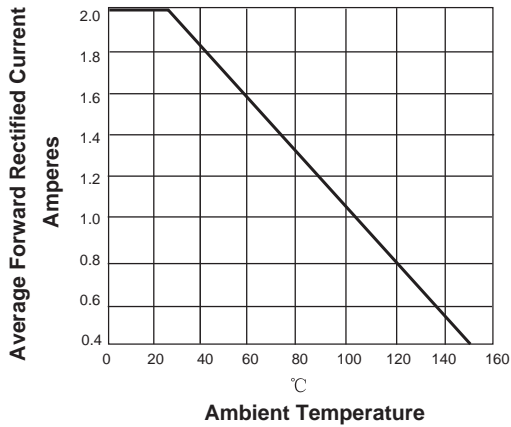


FIG. 2-MAXIMUM NON-REPETITIVE PEAK FORWARD SURGE CURRENT PER LEG

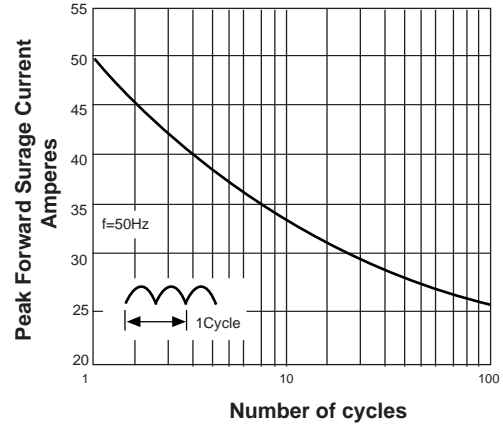


FIG. 3-TYPICAL FORWARD VOLTAGE CHARACTERISTICS

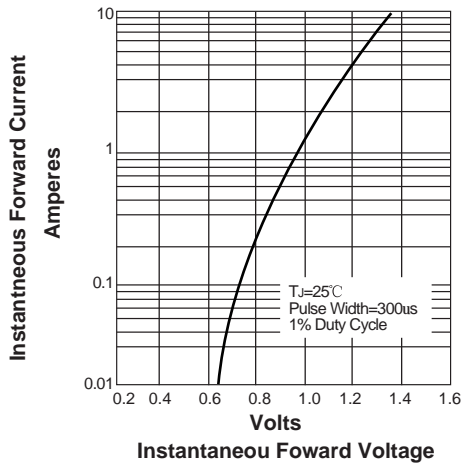


FIG. 4-TYPICAL REVERSE LEAKAGE CHARACTERISTICS

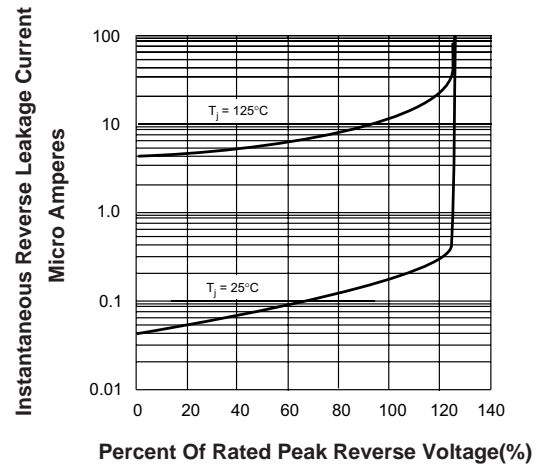
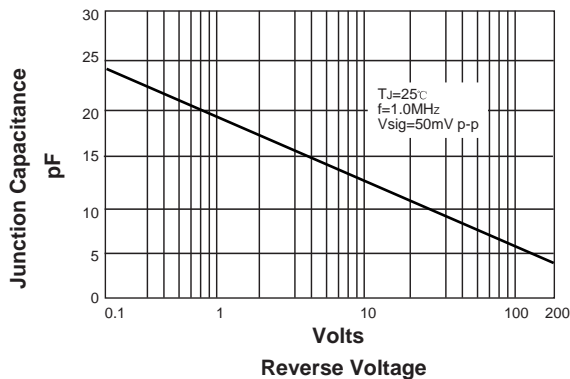


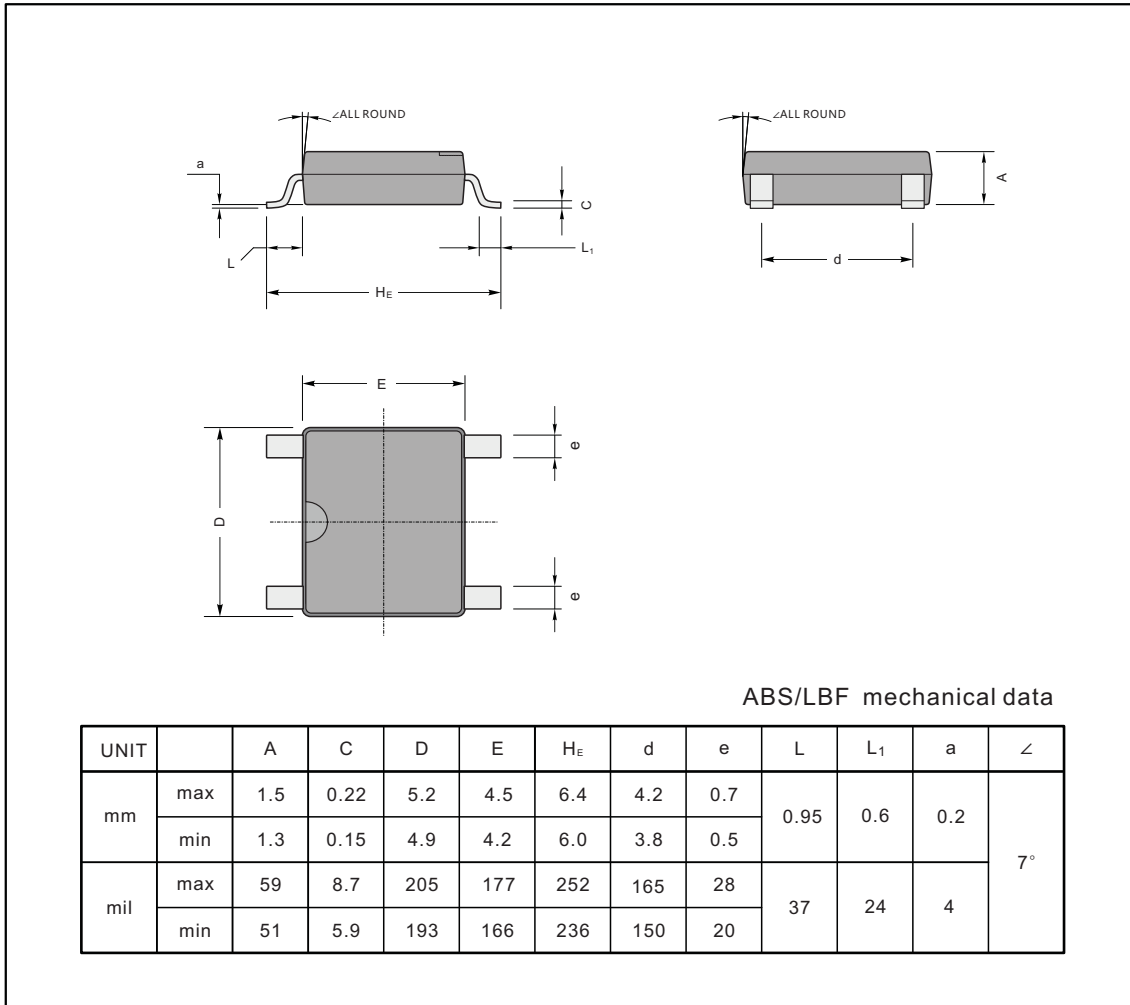
FIG. 5-TYPICAL JUNCTION CAPACITANCE



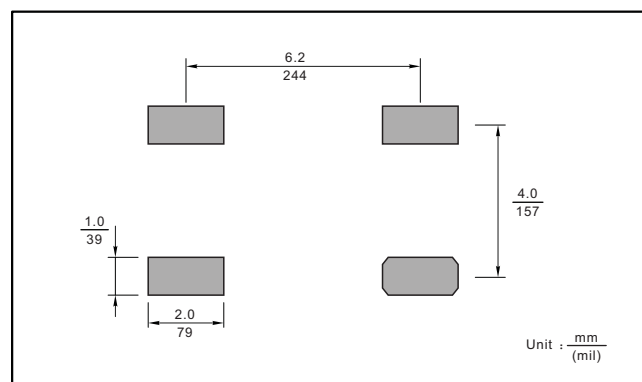
PACKAGE OUTLINE

Plastic surface mounted package; 4 leads

ABS



The recommended mounting pad size



单击下面可查看定价，库存，交付和生命周期等信息

[>>TWGMC\(台湾迪嘉\)](#)