

SMD LVDS Crystal Oscillators - Differential Output

5.0 x 3.2 x 1.2 mm CF Series



Features

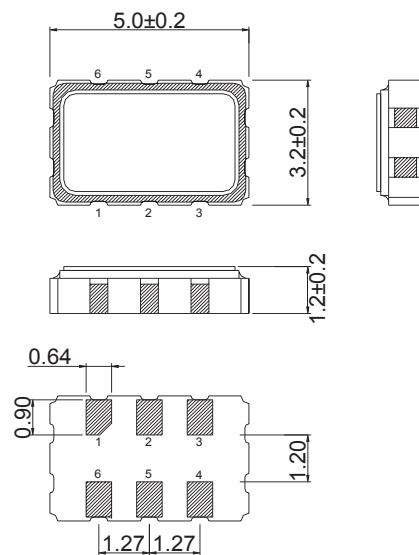
- 3rd overtone solution.
- 3.3V and 2.5V operation available.
- LVDS output, output frequencies 25 MHz to 200 MHz.
- Excellent low phase noise and jitter.
- Tri-State function available.
- Applications : Fibre Channel, Gigabit Ethernet, Serial ATA, Serial Attached SCSI, PCI-Express, SDH/SONET.
- RoHS Compliant / Pb Free.

Electrical Specifications

Item / Type	CF
Output Type	LVDS
Output Load	100 Ω
Oscillation Mode	3rd Overtone
Supply Voltage	2.5 V , 3.3 V
Frequency Range	25 ~ 200 MHz
Overall Frequency Stability *	\pm 50 ppm , or specify
Operating Temperature Range	0 ~ + 70 $^{\circ}$ C , - 40 ~ + 85 $^{\circ}$ C , or specify
Storage Temperature Range	- 55 ~ + 125 $^{\circ}$ C
Voltage Vol (Min.) / Voh (Max.)	0.9 V / 1.6 V
Rise (Tr) / Fall (Tf) Time (20 % ~ 80 %)	1 nS Max.
Supply Current	80 mA Max.
Symmetry	45 ~ 55 %
Start-up Time	10 mS Max.
Phase Jitter (12 KHz ~ 20 MHz)	1 pS Max.

* Inclusive of frequency tolerance at 25 $^{\circ}$ C , variation over temperature, supply voltage variation, aging and vibration.

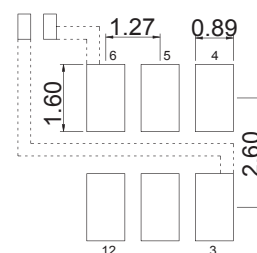
Dimensions



Pin Function:

1. Enable Control or NC
2. Enable Control or NC
3. GND
4. OUT
5. OUTN
6. VDD

Land Pattern:



※ Pad dimension tolerance \pm 0.2 mm

※ Power Supply Decoupling Capacitor is Required.

※ Pad dimension tolerance \pm 0.2 mm

Units: mm

单击下面可查看定价，库存，交付和生命周期等信息

[>>TXC\(台湾晶技\)](#)