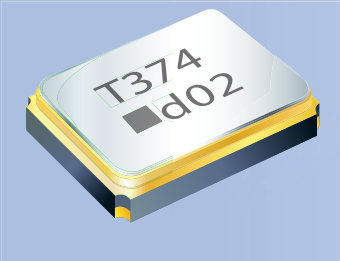


SMD Seam Sealing Crystals

1.6 x 1.2 x 0.33 mm Max 9Q Series

Think of Frequency Think of **TXC**
 come visit our site <http://www.txccorp.com>



Features

- Extremely small SMD type crystal units.
- Application for smart phone, sip module, variety of compact portable consumer products reference clocks.
- High precision and high frequency stability.
- High reliable environmental performance.
- RoHS Compliant / Pb Free.

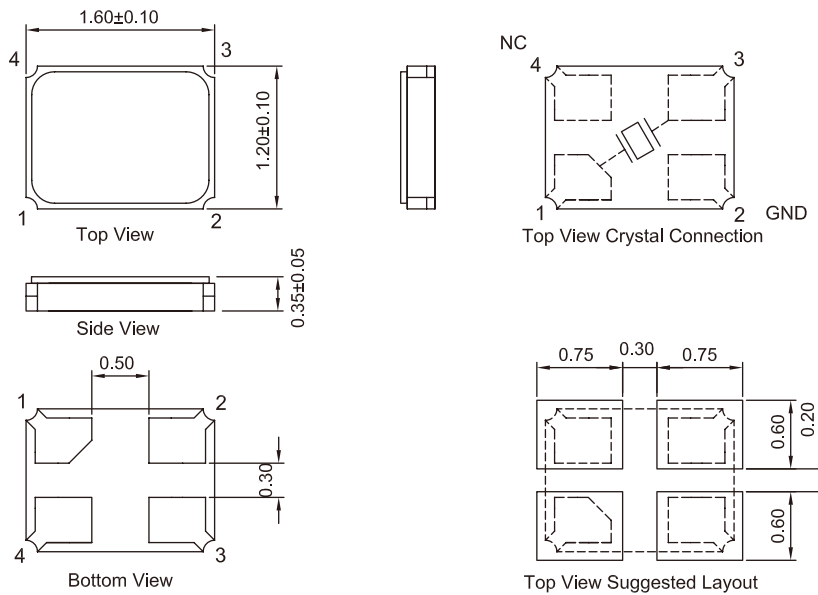
Electrical Specifications

Item / Type	9Q
Frequency Range	30 ~ 60 MHz
Frequency Tolerance (at 25 °C)	± 10 ppm, ± 20 ppm, or specify
Frequency Stability Over Operating Temperature Range	± 10 ppm, ± 20 ppm, or specify
Operating Temperature Range	-30 ~ + 85 °C
Shunt Capacitance (C0)	3 pF Max.
Drive Level	50 μW (Max. 200 μW)
Load Capacitance	8 pF, 10 pF, or specify
Aging (at 25 °C)	± 3 ppm / year Max.
Storage Temperature Range	- 40 ~ + 85 °C

Equivalent Series Resistance(ESR)

Fundamental	
30 ~ 60 MHz	80 Ω Max.

Dimensions



Units: mm

Remark : Specification subject to change without prior notice. Please confirm with our sales. <http://www.txccorp.com>

单击下面可查看定价，库存，交付和生命周期等信息

[>>TXC\(台湾晶技\)](#)