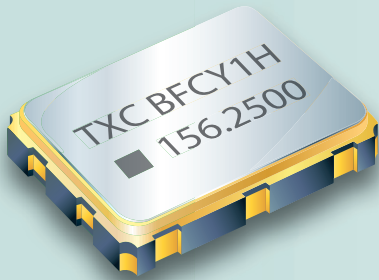


SMD LVDS Crystal Oscillators - Differential Output

7.0 x 5.0 x 1.3 mm BF Series



Features

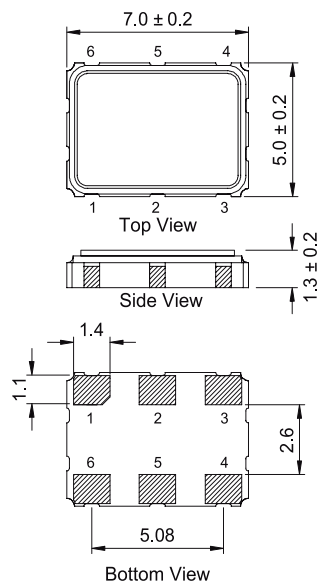
- 3rd overtone solution.
- 3.3V and 2.5V operation available.
- LVDS output, output frequencies 25 MHz to 200 MHz.
- Excellent low phase noise and jitter.
- Tri-State function available.
- Applications : Fibre Channel, Gigabit Ethernet, Serial ATA, Serial Attached SCSI, PCI-Express, SDH / SONET.
- RoHS Compliant / Pb Free.

Electrical Specifications

Item / Type	BF
Output Type	LVDS
Output Load	100 Ω
Oscillation Mode	3rd Overtone
Supply Voltage	2.5 V , 3.3 V
Frequency Range	25 ~ 200 MHz
Overall Frequency Stability *	± 50 ppm , or specify
Operating Temperature Range	-10 ~ +70 $^{\circ}\text{C}$, -40 ~ +85 $^{\circ}\text{C}$, or specify
Storage Temperature Range	-55 ~ +125 $^{\circ}\text{C}$
Voltage Vol (Min.) / Voh (Max.)	0.9 V / 1.6 V
Rise (Tr) / Fall (Tf) Time (20 % ~ 80 %)	1 nS Max.
Supply Current	80 mA Max.
Symmetry	45 ~ 55 %
Start-up Time	10 mS Max.
Phase Jitter (12 KHz ~ 20 MHz)	1 pS Max.

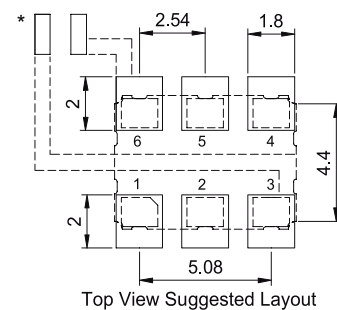
* Inclusive of frequency tolerance at 25 $^{\circ}\text{C}$, variation over temperature, supply voltage variation, aging and vibration.

Dimensions



PAD FUNCTION:
 1: ENABLE CONTROL or NC
 2: ENABLE CONTROL or NC
 3: GND
 4: OUT
 5: OUTN
 6: VDD

* :External high frequency power supply decoupling required.



Units: mm

单击下面可查看定价，库存，交付和生命周期等信息

[>>TXC\(台湾晶技\)](#)