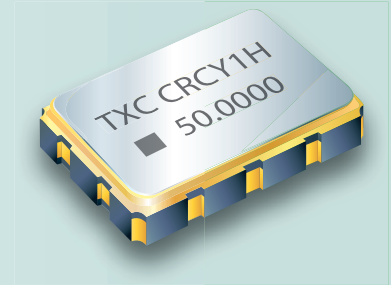


# SMD CMOS VCXO - Single End Output 5.0 x 3.2 x 1.2 mm CR Series

Oscillators  
 Series

## Features

- Voltage Controlled Crystal Oscillator (VCXO).
- Fundamental solution.
- CMOS output, output frequencies 50 MHz to 200 MHz.
- Wide pull range and good linearity.
- Excellent low phase noise and jitter.
- Tri-State function available.
- Main applications : SDH / SONET, Ethernet, Base Stations.
- RoHS Compliant / Pb Free.

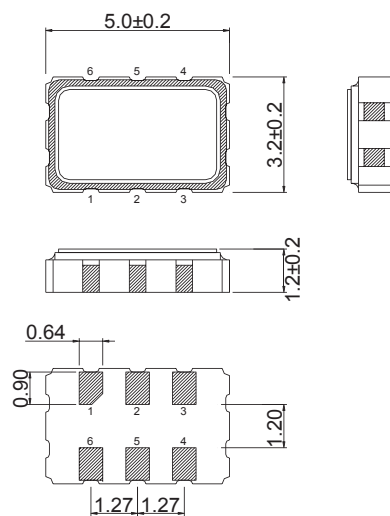


## Electrical Specifications

| Item / Type                         | CR   |
|-------------------------------------|--|
| Output Type                         | CMOS   |
| Output Load                         | 15 pF , or specify                           |
| Oscillation Mode                    | Fundamental                                  |
| Supply Voltage (VDD)                | 3.3 V  |
| Frequency Range                     | 50 ~ 200 MHz                                 |
| Operating Temperature Range         | - 10 ~ + 70 °C , - 40 ~ + 85 °C , or specify |
| Storage Temperature Range           | - 55 ~ + 125 °C                              |
| Voltage Vol ( Max. ) / Voh ( Min. ) | 0.1 VDD / 0.9 VDD                            |
| Rise ( Tr ) / Fall ( Tf ) Time      | 5 nS Max.                                    |
| Supply Current                      | 60 mA Max.                                   |
| Symmetry                            | 45 ~ 55 %                                    |
| Start-up Time                       | 10 mS Max.                                   |
| Absolute Pulling Range ( APR ) *    | ± 50 ppm Min. , or specify                   |
| Nominal Control Voltage             | 0.5 VDD                                      |
| Control Voltage Range               | 0 ~ VDD                                      |
| Linearity                           | 10 % Max.                                    |
| Phase Jitter ( 12 KHz ~ 20 MHz )    | 1 pS Max.                                    |

\* APR=(Pull Range) - (Frequency tolerance at 25 °C, variation over temperature, supply voltage variation, and aging.)

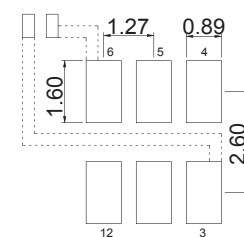
## Dimensions



### Pin Function:

1. Enable Control or NC
2. Enable Control or NC
3. GND
4. OUT
5. OUTN
6. VDD

### Land Pattern:



※ Pad dimension tolerance ±0.2 mm

※ Power Supply Decoupling Capacitor is Required.

※ Pad dimension tolerance ±0.2 mm

Units: mm

Remark : Specification subject to change without prior notice. Please confirm with our sales. <http://www.txccorp.com>

单击下面可查看定价，库存，交付和生命周期等信息

[>>TXC\(台湾晶技\)](#)