

### Product introduction

The 71XX series is a low-power high-voltage regulator manufactured by CMOS process. The maximum input voltage is 30V and the output voltage range is 1.5v-12.0v. It has the characteristics of high precision output voltage, very low power supply current and very low drop voltage.

### Product features

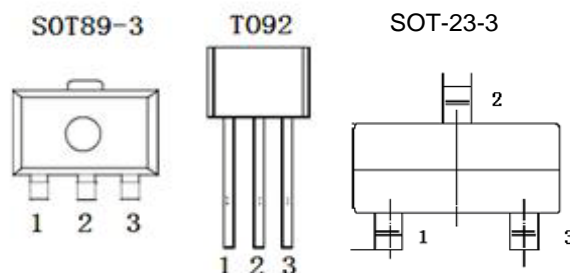
- Low power consumption:  $\leq 3\mu A$
- Low drop voltage: typical value 0.1V
- Low temperature bleaching: typical 50 ppm / °C
- High input voltage: up to 30V
- High precision output voltage: tolerance of + 3%
- Package form: TO-92, sot89-3, sot-23-3

### Product use

- Battery power supply equipment
- Audio / video equipment
- Various communication equipment
- Security monitoring equipment

### Package form and pin function definition

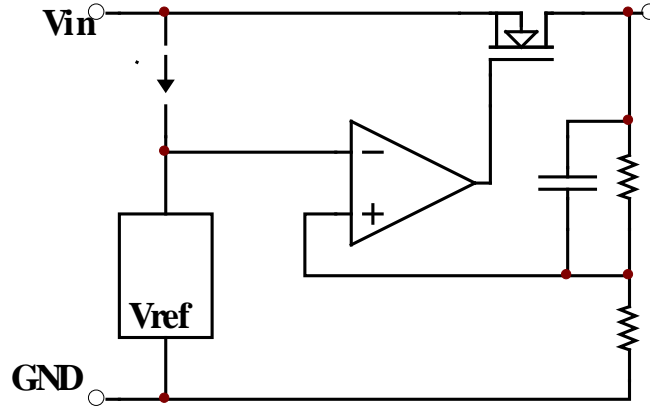
Pin number			Pin define	Functional specifications
TO-92	SOT89-3	SOT23-3		
1	1	1	GND	Chip ground terminal
2	2	2	VIN	Start input
3	3	3	VOUT	Chip output terminal



### Model selection

name	model	Maximum input voltage (V)	Output voltage (V)	tolerance	Packaging form
71XX	7130	30	3.0	$\pm 3\%$	TO 92 SOT89-3 SOT-23-3
	7133	30	3.3	$\pm 3\%$	
	7136	30	3.6	$\pm 3\%$	
	7144	30	4.4	$\pm 3\%$	
	7150	30	5.0	$\pm 3\%$	

■ Principle block diagram



■ Limit parameter

project	Symbol	parameter	Limit value	Company
Voltage	VIN	Maximum input voltage	30	V
power waste	PD	power waste	400	mW
temperature	Tw	working temperature	-25~70	°C
	Tc	Storage temperature	-50~125	°C
	Th	welding temperature	260	°C,10s

■ Electrical properties

7130 (T<sub>OPT</sub>=25°C)

Symbol	parameter	Test conditions	Min	Typical value	Max	Company
V <sub>OUT</sub>	Output voltage	V <sub>IN</sub> =5V, I <sub>OUT</sub> =10mA	2.91	3	3.09	V
I <sub>OUT</sub>	Output current	V <sub>IN</sub> =5V	60	100		mA
ΔV <sub>OUT</sub>	Load regulation	V <sub>IN</sub> =5V, 1mA≤I <sub>OUT</sub> ≤20mA	—	100	150	mV
V <sub>DIF</sub>	Voltage sag	I <sub>OUT</sub> =1mA	—	100	—	mV
I <sub>SS</sub>	Quiescent current	Vin = 5V, no load	—	2	3	μA
ΔV <sub>OUT</sub> / (ΔV <sub>IN</sub> * V <sub>OUT</sub> )	Line Regulation	4V≤V <sub>IN</sub> ≤30V, I <sub>OUT</sub> =1mA	—	0.2	—	%/V
V <sub>IN</sub>	input voltage	—	—	—	30	V
ΔV <sub>OUT</sub> / ΔTa	temperature coefficient	V <sub>IN</sub> =5V, I <sub>OUT</sub> =10mA 0°C≤Ta≤70°C	—	±0.45	—	mV/°C

**7133** ( $T_{OPT}=25^{\circ}C$ )

Symbol	Parameter	Test conditions	Min	Typical value	Max	Company
$V_{OUT}$	Output voltage	$V_{IN}=5.5V, I_{OUT}=10mA$	3.201	3.3	3.399	V
$I_{OUT}$	Output current	$V_{IN}=5.5V$	60	100	—	mA
$\Delta V_{OUT}$	Load regulation	$V_{IN}=5.5V, 1mA \leq I_{OUT} \leq 30mA$	—	100	150	mV
$V_{DIF}$	Voltage sag	$I_{OUT}=1mA$	—	100	—	mV
$I_{SS}$	Quiescent current	$V_{IN}=5.5V, \text{no load}$	—	2	3	$\mu A$
$\Delta V_{OUT}/(\Delta V_{IN} * V_{OUT})$	Line Regulation	$4.5V \leq V_{IN} \leq 30V, I_{OUT}=1mA$	—	0.2	—	%/V
$V_{IN}$	Input voltage	—	—	—	30	V
$\Delta V_{OUT}/\Delta T_a$	Temperature coefficient	$V_{IN}=5.5V, I_{OUT}=10mA, 0^{\circ}C \leq T_a \leq 70^{\circ}C$	—	$\pm 0.5$	—	mV/ $^{\circ}C$

**7136** ( $T_{OPT}=25^{\circ}C$ )

Symbol	Parameter	Test conditions	Min	Typical value	Max	Company
$V_{OUT}$	Output voltage	$V_{IN}=5.6V, I_{OUT}=10mA$	3.492	3.6	3.708	V
$I_{OUT}$	Output current	$V_{IN}=5.6V$	60	100	—	mA
$\Delta V_{OUT}$	Load regulation	$V_{IN}=5.6V, 1mA \leq I_{OUT} \leq 30mA$	—	100	150	mV
$V_{DIF}$	Voltage sag	$I_{OUT}=1mA$	—	100	—	mV
$I_{SS}$	Quiescent current	$V_{IN}=5.6V, \text{no load}$	—	2	3	$\mu A$
$\Delta V_{OUT}/(\Delta V_{IN} * V_{OUT})$	Line Regulation	$4.6V \leq V_{IN} \leq 30V, I_{OUT}=1mA$	—	0.2	—	%/V
$V_{IN}$	Input voltage	—	—	—	30	V
$\Delta V_{OUT}/\Delta T_a$	Temperature coefficient	$V_{IN}=5.6V, I_{OUT}=10mA, 0^{\circ}C \leq T_a \leq 70^{\circ}C$	—	$\pm 0.6$	—	mV/ $^{\circ}C$

**7144** ( $T_{OPT}=25^{\circ}C$ )

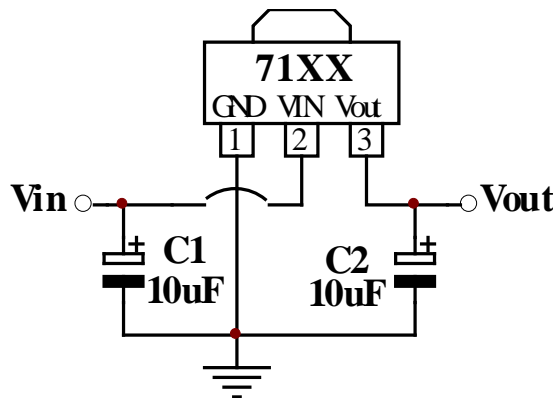
Symbol	Parameter	Test conditions	Min	Typical value	Max	Company
$V_{OUT}$	Output voltage	$V_{IN}=6.4V, I_{OUT}=10mA$	4.268	4.4	4.532	V
$I_{OUT}$	Output current	$V_{IN}=6.4V$	60	100	—	mA
$\Delta V_{OUT}$	Load regulation	$V_{IN}=6.4V, 1mA \leq I_{OUT} \leq 30mA$	—	100	150	mV
$V_{DIF}$	Voltage sag	$I_{OUT}=1mA$	—	100	—	mV
$I_{SS}$	Quiescent current	$V_{IN}=6.4V, \text{no load}$	—	2	3	$\mu A$
$\Delta V_{OUT}/(\Delta V_{IN} * V_{OUT})$	Line Regulation	$5.4V \leq V_{IN} \leq 30V, I_{OUT}=1mA$	—	0.2	—	%/V
$V_{IN}$	Input voltage	—	—	—	30	V
$\Delta V_{OUT}/\Delta T_a$	Temperature coefficient	$V_{IN}=6.4V, I_{OUT}=10mA, 0^{\circ}C \leq T_a \leq 70^{\circ}C$	—	$\pm 0.7$	—	mV/ $^{\circ}C$

7150 (T<sub>OPT</sub>=25°C)

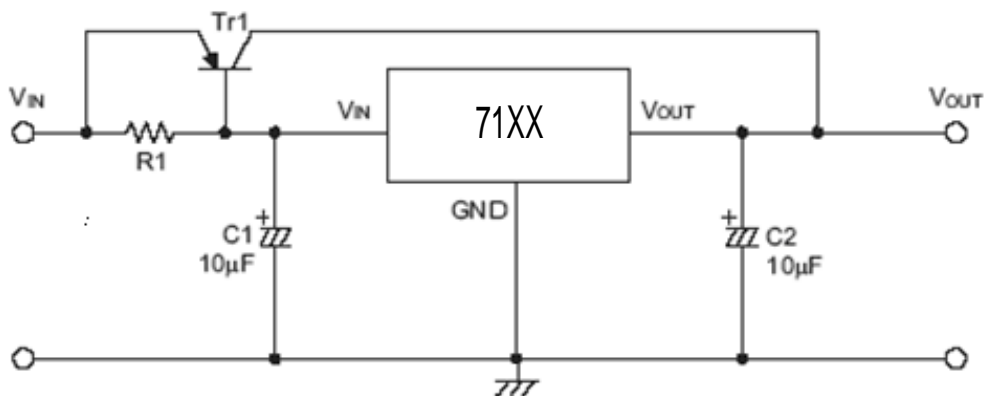
Symbol	Parameter	Test conditions	Min	Typical value	Max	Company
V <sub>OUT</sub>	Output voltage	V <sub>IN</sub> =7V, I <sub>OUT</sub> =10mA	4.85	5	5.15	V
I <sub>OUT</sub>	Output current	V <sub>IN</sub> =7V	60	100	—	mA
ΔV <sub>OUT</sub>	Load regulation	V <sub>IN</sub> =7V, 1mA≤I <sub>OUT</sub> ≤30mA	—	100	—	mV
V <sub>DIF</sub>	Voltage sag	I <sub>OUT</sub> =1mA	—	100	—	mV
I <sub>SS</sub>	Quiescent current	V <sub>IN</sub> = 7V, no load	—	2	3	μA
ΔV <sub>OUT</sub> /(ΔV <sub>IN</sub> *V <sub>OUT</sub> )	Line Regulation	6V≤V <sub>IN</sub> ≤30V, I <sub>OUT</sub> =1mA	—	0.2	—	%/V
V <sub>IN</sub>	Input voltage	—	—	—	30	V
ΔV <sub>OUT</sub> /ΔT <sub>a</sub>	Temperature coefficient	V <sub>IN</sub> =7V, I <sub>OUT</sub> =10mA, 0°C≤T <sub>a</sub> ≤70°C	—	±0.75	—	mV/°C

## ■ Application circuit

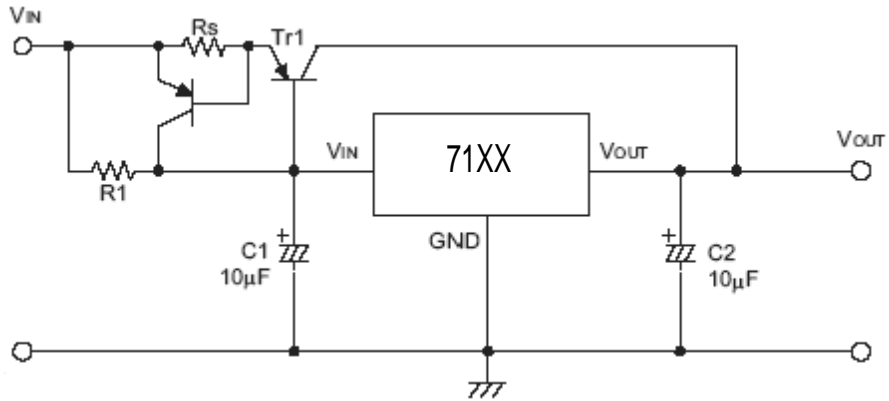
### 1. Basic circuit



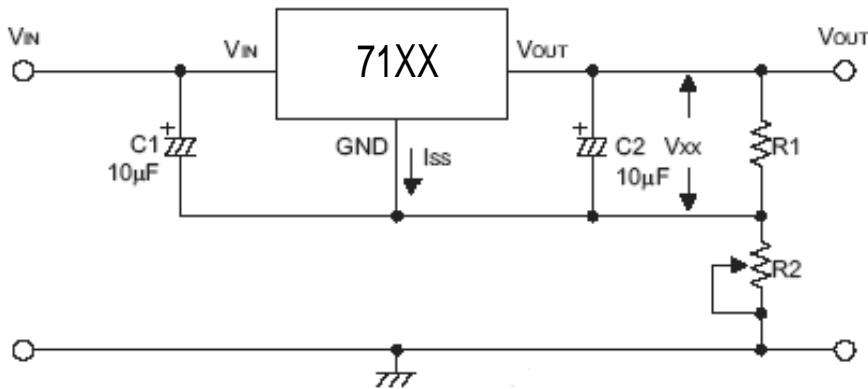
### 2. High output current regulator



3. Short circuit protection circuit

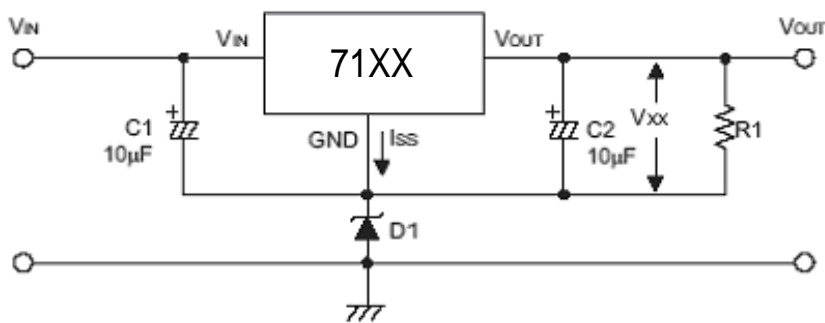


4. Circuit for increasing output voltage (1)



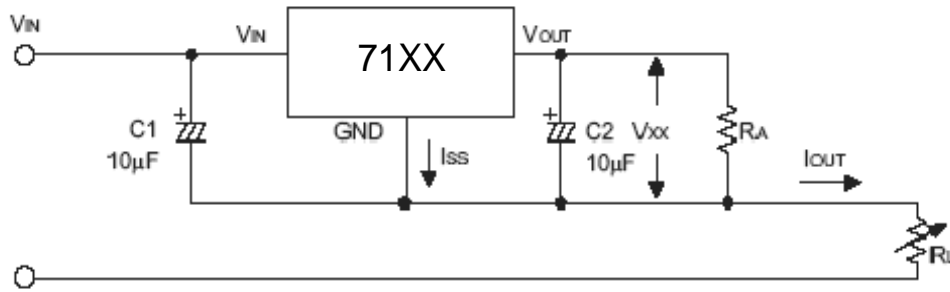
$$V_{OUT} = V_{xx} (1 + R2/R1) + I_{SS} * R2$$

5. Circuit for increasing output voltage (2)



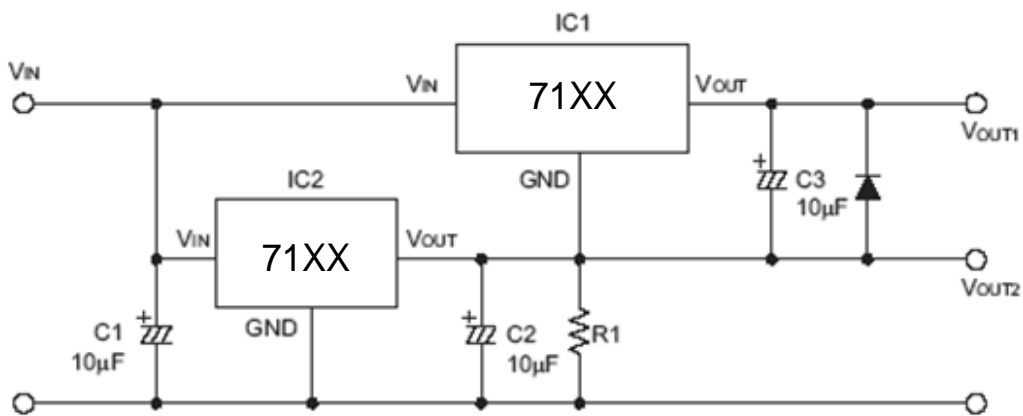
$$V_{OUT} = V_{xx} + V_{D1}$$

6. Current regulating circuit



$$I_{OUT} = V_{XX}/R_X + I_{SS}$$

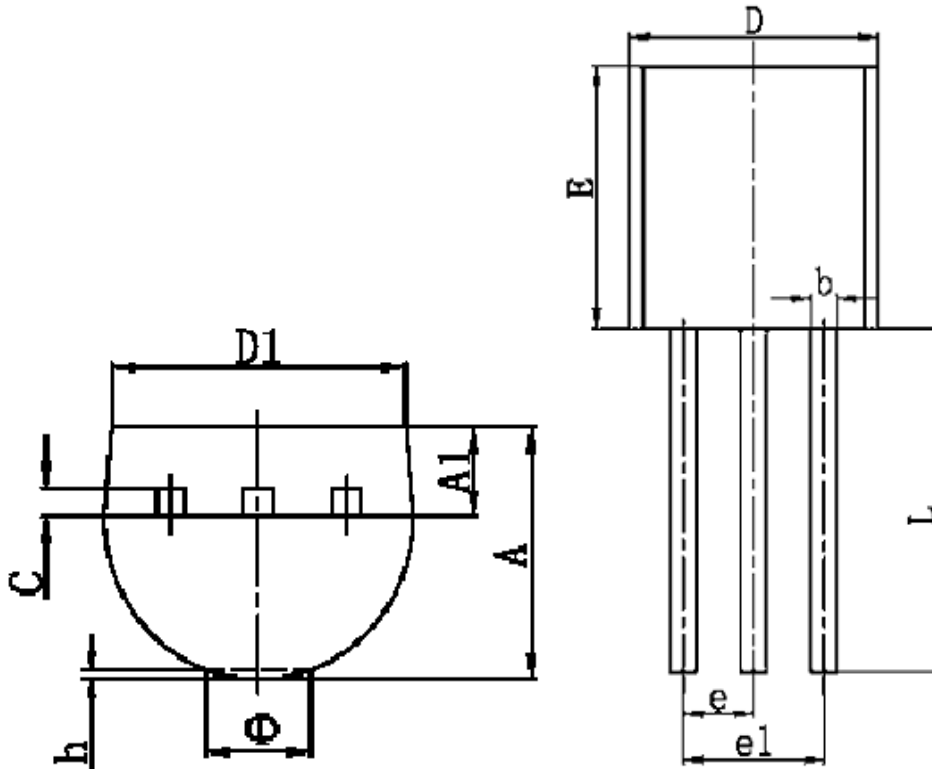
7. Dual output circuit



Note: "xx" Represents the output voltage

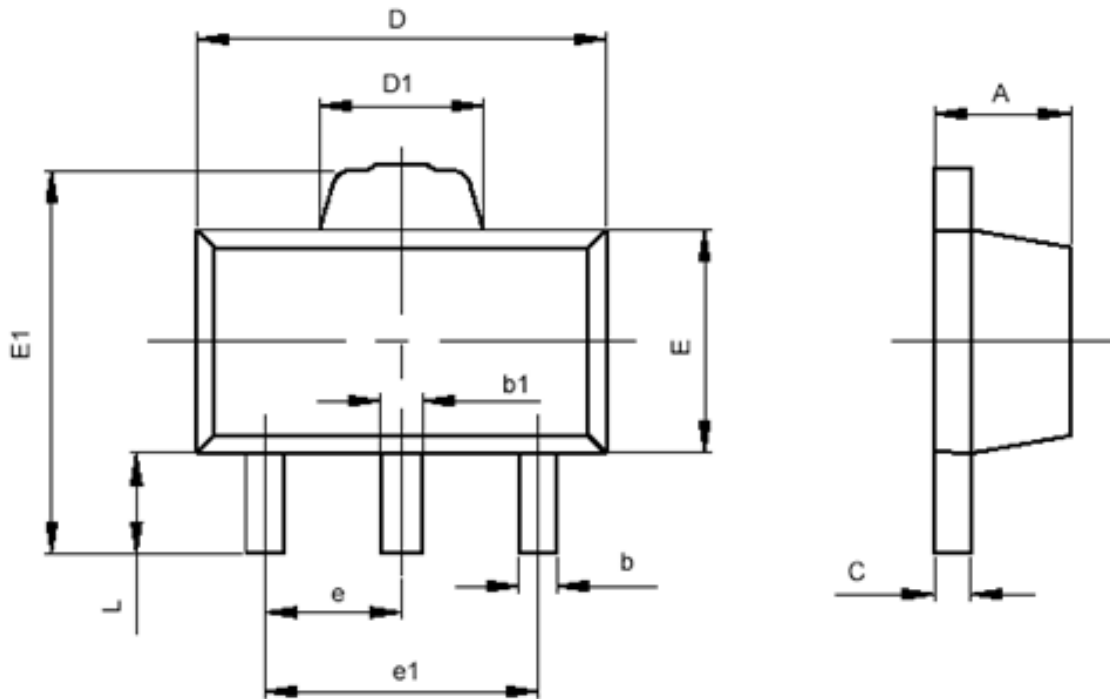
■ Encapsulation information

T0-92



符号	最小值 (mm)	最大值 (mm)
A	3.300	3.700
A1	1.100	1.400
b	0.380	0.550
c	0.360	0.510
D	4.400	4.700
D1	3.430	
E	4.300	4.700
e	1.270 TYP	
e1	2.440	2.640
L	14.100	14.500
Φ		1.600
h	0.000	0.380

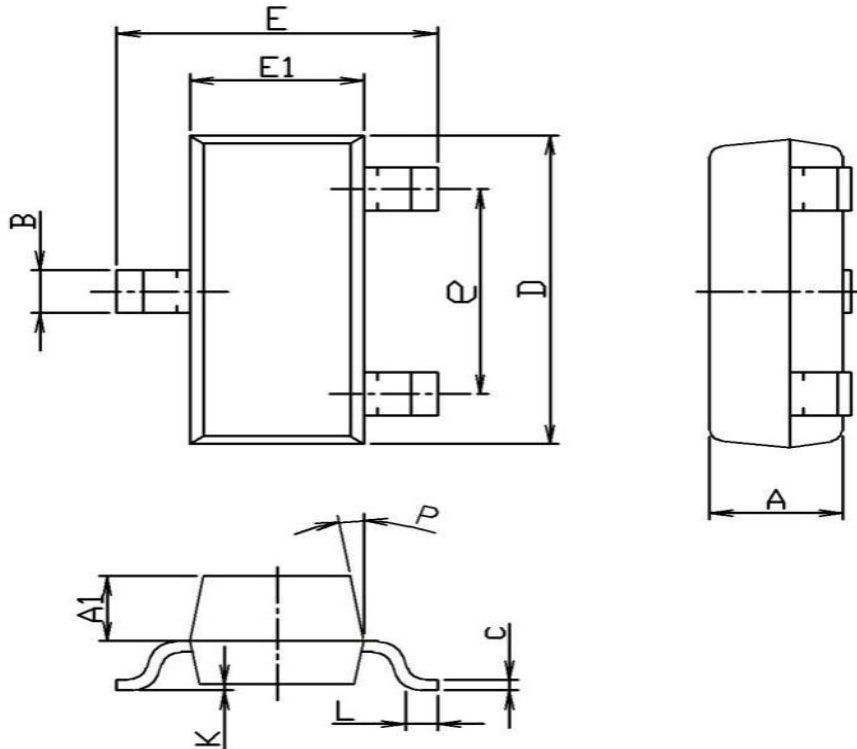
SOT-89-3



符号	最小值 ( mm )	最大值 ( mm )
A	1.400	1.600
b	0.320	0.520
b1	0.360	0.560
c	0.350	0.440
D	4.400	4.600
D1	1.400	1.800
E	2.300	2.600
E1	3.940	4.250
e	1.500TYP	
e1	2.900	3.100
L	0.900	1.100



SOT-23-3



SOT-23-3		Unit: mm	
Symbol	Min	TYP	Max
A	0.90	1.00	1.20
A1	0.55	0.60	0.70
B	0.35	0.40	0.55
C	0.06	0.10	0.15
D	2.70	2.90	3.10
E	2.20	2.40	2.60
E1	1.20	1.30	1.50
e	1.80	1.90	2.00
K	0	0.08	0.18
L	0.25		
p	5°	7°	9°

单击下面可查看定价，库存，交付和生命周期等信息

[>>UMW\(友台半导体\)](#)