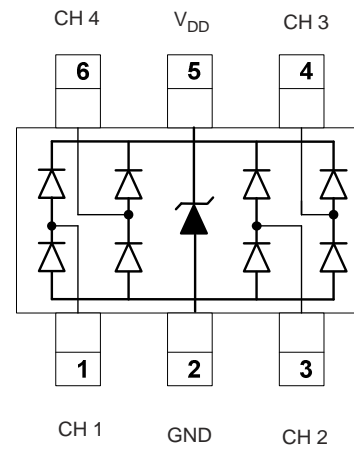


**Features**

- Ultra low leakage: nA level
- Operating voltage: 5V
- Low clamping voltage
- – IEC 61000-4-2 (ESD) immunity test
  - Air discharge: ±15kV
  - Contact discharge: ±10kV
- IEC61000-4-4 (EFT) 40A (5/50ns)
- IEC61000-4-5 (Lightning) 5A (8/20 μs)



**Applications**

- USB 2.0 power and data line
- Set-top box and digital TV
- Digital video interface (DVI)
- Notebook Computers
- SIM Ports

**Absolute Maximum Ratings**(T<sub>amb</sub>=25°C unless otherwise specified)

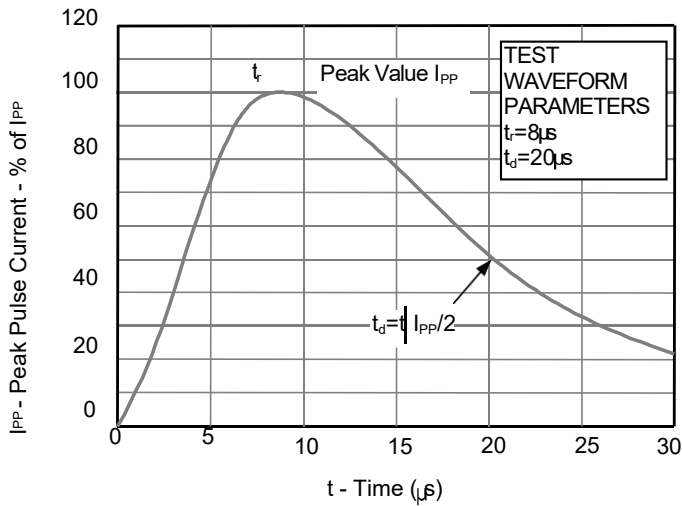
Parameter	Symbol	Value	Unit
Peak Pulse Power (8/20μs)	P <sub>pp</sub>	80	W
ESD per IEC 61000-4-2 (Air)	V	± 15	Kv
ESD per IEC 61000-4-2 (Contact)		± 10	
Operating Temperature Range	T <sub>J</sub>	-55 to +125	°C
Storage Temperature Range	T <sub>STJ</sub>	-55 to +150	°C

**Electrical Characteristics**(TA=25°C unless otherwise specified)

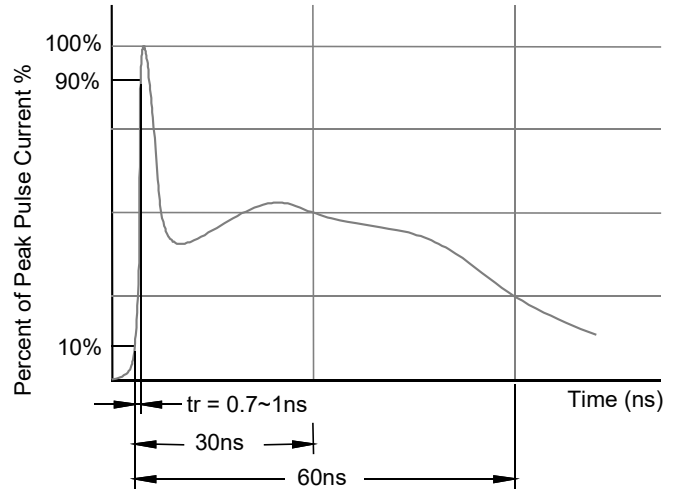
P/N	V <sub>RWM</sub> (V)	V <sub>BR</sub> (V)	I <sub>T</sub> (mA)	V <sub>C</sub> @1A	V <sub>C</sub>		I <sub>R</sub> μA (Max)	C (Pf) (Typ.)
					(Max)	(@A)		
RCLAMP0504S	5	6	1	12	16	5	1	0.6

**Characteristic Curves**

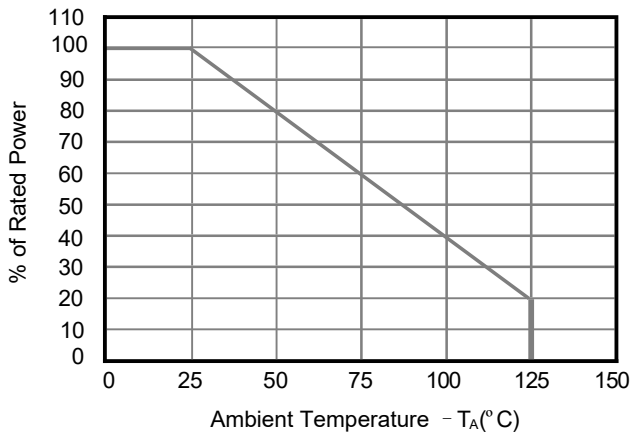
**Fig1. 8/20μ s Pulse Waveform**



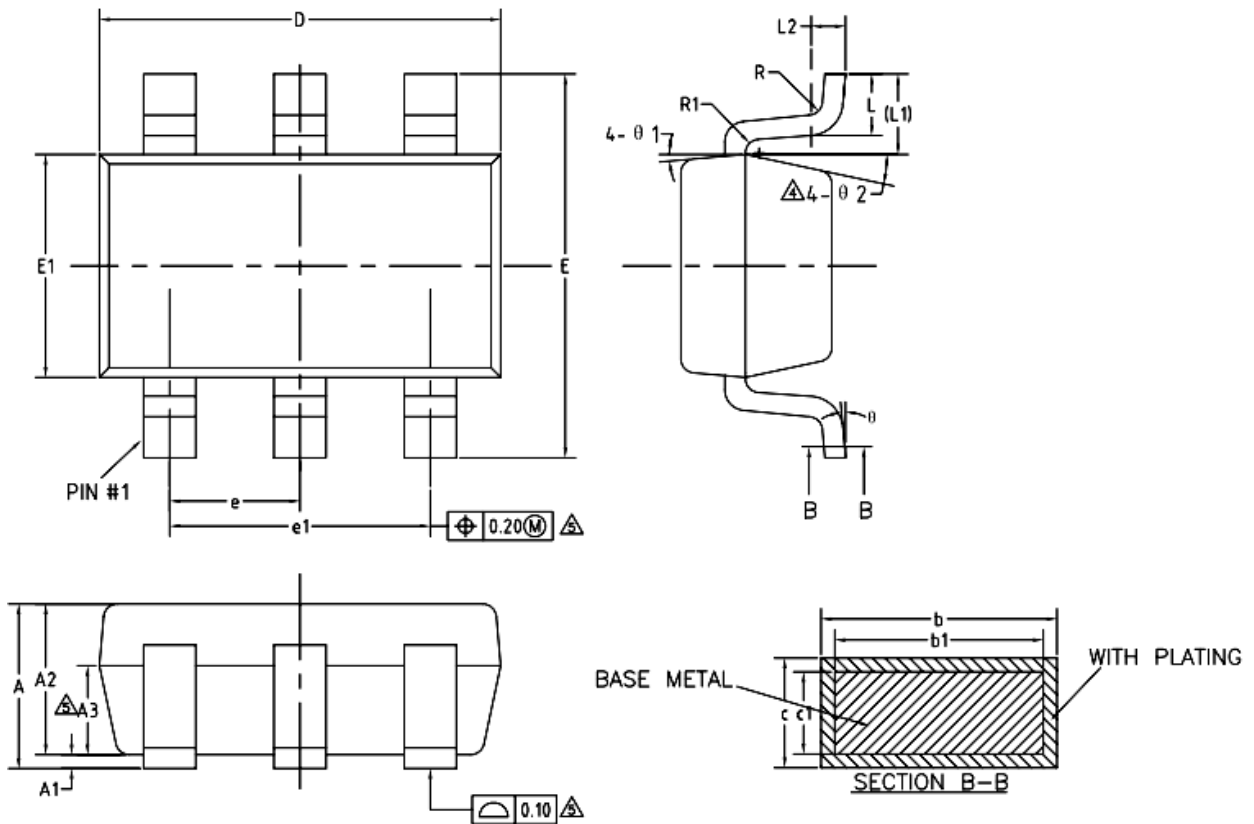
**Fig2. ESD Pulse Waveform (according to IEC 61000-4-2)**



**Fig3. Power Derating Curve**



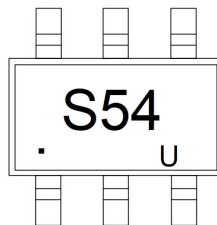
SOT23-6



COMMON DIMENSIONS  
(UNITS OF MEASURE=MILLIMETER)

SYMBOL	MIN	NOM	MAX
A	—	—	1.25
A1	0	—	0.15
A2	1.00	1.10	1.20
A3	0.60	0.65	0.70
b	0.36	—	0.50
b1	0.36	0.38	0.45
c	0.14	—	0.20
c1	0.14	0.15	0.16
D	2.826	2.926	3.026
E	2.60	2.80	3.00
E1	1.526	1.626	1.726
$\Delta$ e	0.90	0.95	1.00
$\Delta$ e1	1.80	1.90	2.00
L	0.35	0.45	0.60
L1	0.59REF		
L2	0.25BSC		
$\Delta$ R	0.10	—	—
$\Delta$ R1	0.10	—	0.20
$\theta$	0°	—	8°
$\theta$ 1	3°	5°	7°
$\Delta$ $\theta$ 2	6°	—	14°

**Marking**



**Ordering information**

Order code	Package	Base qty	Delivery mode
UMW RCLAMP0504S	SOT23-6	3000	Tape and reel

单击下面可查看定价，库存，交付和生命周期等信息

[>>UMW\(友台半导体\)](#)