

### Features

- Wide 4.5V to 40V Input Voltage Range
- 3.3V,5V,12V, and adjustable versions
- Output Adjustable from 1.23V to 37V (57 V for the HV Version)
- Maximum Duty Cycle 100%
- Minimum Drop Out 1.5V
- Fixed 150KHz Switching Frequency
- 1.5A Constant Output Current Capability
- Internal Optimize Power Transistor
- High efficiency
- Excellent line and load regulation
- TTL shutdown capability
- ON/OFF pin with hysteresis function
- Built in thermal shutdown function
- Built in current limit function
- Built in second current limit function
- Available in SOP-8 package

### Applications

- LCD Monitor and LCD TV
- Digital Photo Frame
- Set-up Box
- ADSL Modem
- Telecom / Networking Equipment

### General Description

The LM2594(HV) is a 150 KHz fixed frequency PWM buck (step-down)DC/DC converter, capable of driving a 1.5A load with high efficiency, low ripple and excellent line and load regulation. Requiring a minimum number of external components, the regulator is simple to use and include internal frequency compensation and a fixed-frequency oscillator.

The PWM control circuit is able to adjust the duty ratio linearly from 0 to 100%. An enable function, an over current protection function is built inside. When second current limit function happens, the operation frequency will be reduced from 150KHz to 50KHz. An internal compensation block is built in to minimize external component count.



SOP-8

Figure1. Package Type of LM2594(HV)

### Pin Configurations

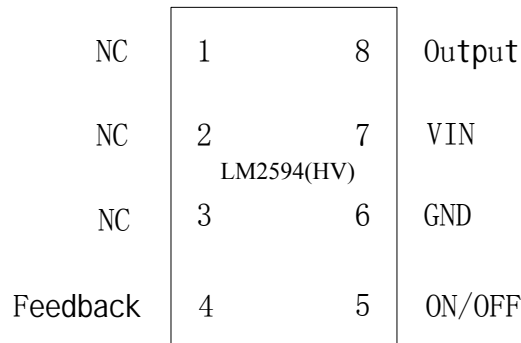


Figure2. Pin Configuration of LM2594(HV) (Top View)

Table 1 Pin Description

Pin Number	Pin Name	Description
1,2,3	NC	NO connection
7	VIN	Supply Voltage Input Pin. LM2594(HV) operates from a 4.5V to 40V DC voltage. Bypass Vin to GND with a suitably large capacitor to eliminate noise on the input.
8	OUTPUT	Power Switch Output Pin (SW). Output is the switch node that supplies power to the output.
6	GND	Ground Pin. Care must be taken in layout. This pin should be placed outside of the Schottky Diode to output capacitor ground path to prevent switching current spikes from inducing voltage noise into LM2594(HV).
4	FEEDBACK	Feedback Pin (FB). Through an external resistor divider network, Feedback senses the output voltage and regulates it. The feedback threshold voltage is 1.23V.
5	ON/OFF	Enable Pin. Drive ON/OFF pin low to turn on the device, drive it high to turn it off. Floating is default low.

**Function Block**

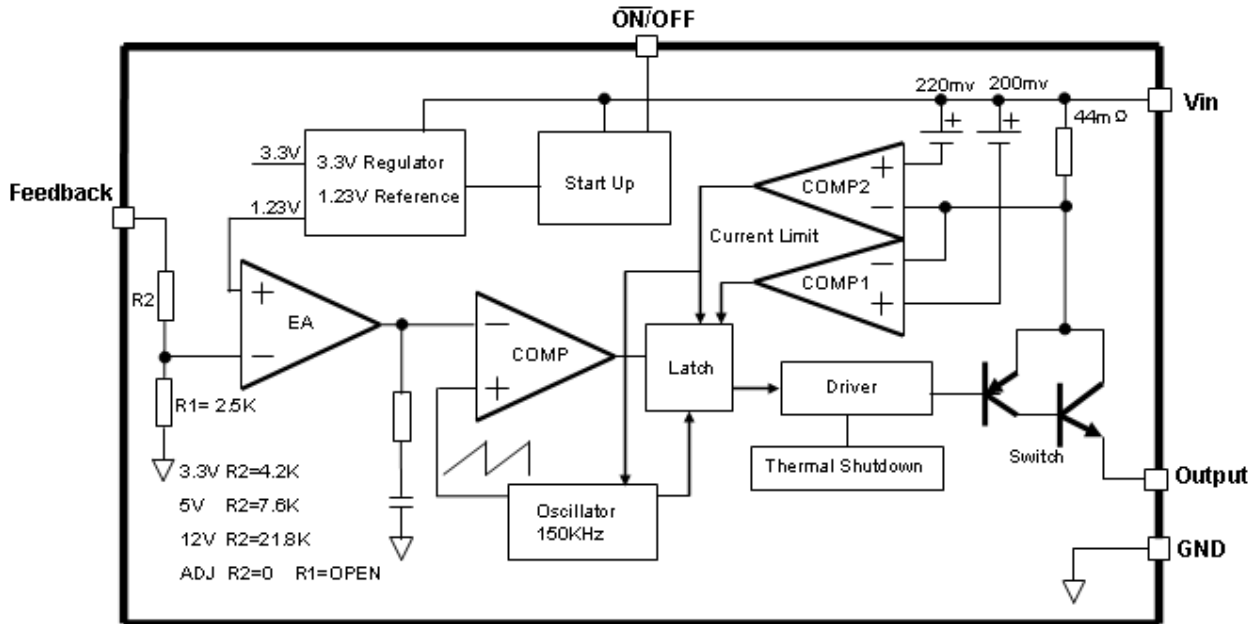


Figure3. Function Block Diagram of LM2594(HV)

**Typical Application Circuit**

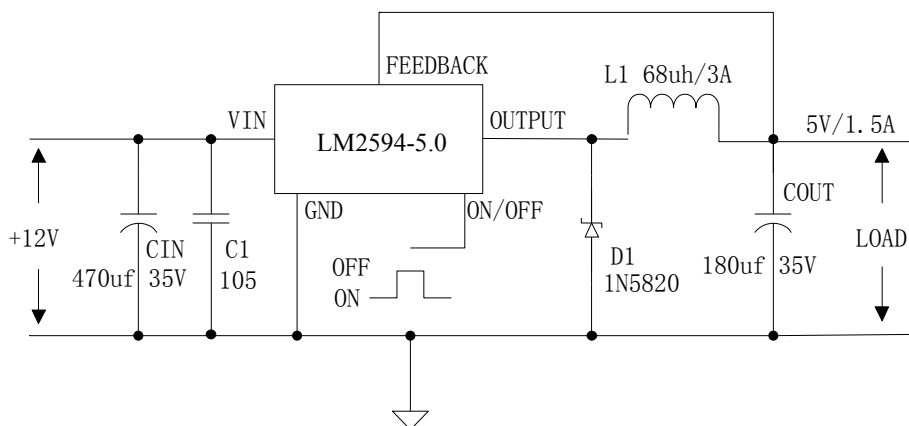


Figure4. LM2594(HV) Typical Application Circuit 12V-5V/1.5A

**LM2594(HV) Absolute Maximum Ratings (Note1)**

Parameter	Symbol	Value	Unit	
Input Voltage	V <sub>in</sub>	LM2594	-0.3 to 45	V
		LM2594(HV)	-0.3 to 60	
Feedback Pin Voltage	V <sub>FB</sub>	-0.3 to V <sub>in</sub>	V	
ON/OFF Pin Voltage	V <sub>ON/OFF</sub>	-0.3 to V <sub>in</sub>	V	
Output Switch Pin Voltage	V <sub>Output</sub>	-0.3 to V <sub>in</sub>	V	
Power Dissipation	PD	Internally limited	mW	
Thermal Resistance (SOP-8) (Junction to Ambient, No Heatsink, Free Air)	R <sub>JA</sub>	100	°C/W	
Operating Junction Temperature	T <sub>J</sub>	-40 to 125	°C	
Storage Temperature	T <sub>STG</sub>	-65 to 150	°C	
Lead Temperature (Soldering, 10 sec)	T <sub>LEAD</sub>	260	°C	
ESD (HBM)		2000	V	

**Note1:** Stresses greater than those listed under Maximum Ratings may cause permanent damage to the device. This is a stress rating only and functional operation of the device at these or any other conditions above those indicated in the operation is not implied. Exposure to absolute maximum rating conditions for extended periods may affect reliability.

**LM2594(HV)-3.3 Electrical Characteristics**

$T_a = 25^\circ\text{C}$ ; unless otherwise specified.

Symbol	Parameter	Test Condition	Min.	Typ.	Max.	Unit
<i>System parameters test circuit figure5</i>						
VOUT	Output Voltage	$V_{in} = 4.75\text{V to }40\text{V}(60\text{v})$ $I_{load}=0.2\text{A to }1.5\text{A}$	3.168	3.3	3.432	V
Efficiency	$\eta$	$V_{in}=12\text{V}, V_{out}=3.3\text{V}$ $I_{out}=1.5\text{A}$	-	75	-	%

**LM2594(HV)-5.0 Electrical Characteristics**

$T_a = 25^\circ\text{C}$ ; unless otherwise specified.

Symbol	Parameter	Test Condition	Min.	Typ.	Max.	Unit
<i>System parameters test circuit figure5</i>						
VOUT	Output Voltage	$V_{in} = 7\text{V to }40\text{V}(60\text{V})$ $I_{load}=0.2\text{A to }1.5\text{A}$	4.8	5	5.2	V
Efficiency	$\eta$	$V_{in}=12\text{V}, V_{out}=5\text{V}$ $I_{out}=1.5\text{A}$	-	82	-	%

**LM2594(HV)-12 Electrical Characteristics**

$T_a = 25^\circ\text{C}$ ; unless otherwise specified.

Symbol	Parameter	Test Condition	Min.	Typ.	Max.	Unit
<i>System parameters test circuit figure5</i>						
VOUT	Output Voltage	$V_{in} = 15\text{V to }40\text{V}(60\text{V})$ $I_{load}=0.2\text{A to }1.5\text{A}$	11.52	12	12.48	V
Efficiency	$\eta$	$V_{in}=25\text{V}, V_{out}=12\text{V}$ $I_{out}=1.5\text{A}$	-	90	-	%

**LM2594(HV)-ADJ Electrical Characteristics**

$T_a = 25^\circ\text{C}$ ; unless otherwise specified.

Symbol	Parameter	Test Condition	Min.	Typ.	Max.	Unit
<i>System parameters test circuit figure5</i>						
VOUT	Output Voltage	$V_{in} = 4.5\text{V to }40\text{V}(57\text{V})$ $I_{load}=0.2\text{A to }1.5\text{A}$	1.193	1.23	1.267	V
Efficiency	$\eta$	$V_{in}=12\text{V}, V_{out}=3\text{V}$ $I_{out}=1.5\text{A}$	-	74	-	%

**LM2594(HV) Electrical Characteristics (DC Parameters)**

$V_{in} = 12V$  for the 3.3V, 5V, and Adjustable versions and  $V_{in} = 24V$  for the 12V version,  $GND = 0V$ ,  $V_{in}$  &  $GND$  parallel connect a 220uF/50V capacitor;  $I_{out} = 500mA$ ,  $T_a = 25^{\circ}C$ ; the others floating unless otherwise specified.

Parameters	Symbol		Test Condition	Min.	Typ.	Max.	Unit
Input operation voltage	$V_{in}$	LM2594		4.5		40	V
		LM2594(HV)		4.5		60	
Shutdown Supply Current			$V_{ON/OFF} = 5V$		80	200	uA
Quiescent Supply Current	ISTBY		$V_{ON/OFF} = 0V$ , $V_{FB} = V_{in}$		2	10	mA
Oscillator Frequency	Fosc			127	150	173	Khz
Switch Current Limit	IL		$V_{FB} = 0$		2		A
ON/OFF Pin Threshold	VON/OFF		High (Regulator OFF) Low (Regulator ON)		1.4 0.8		V
ON/OFF Pin Input Leakage Current	IH		$V_{ON/OFF} = 2.5V$ (OFF)		5	15	uA
	IL		$V_{ON/OFF} = 0.5V$ (ON)		0.2	5	uA
Output Saturation Voltage	VCE		$V_{FB} = 0V$ $I_{out} = 1.5A$		1.2	1.4	V
Max. Duty Cycle	DMAX		$V_{FB} = 0V$		100		%

### Test Circuit and Layout guidelines

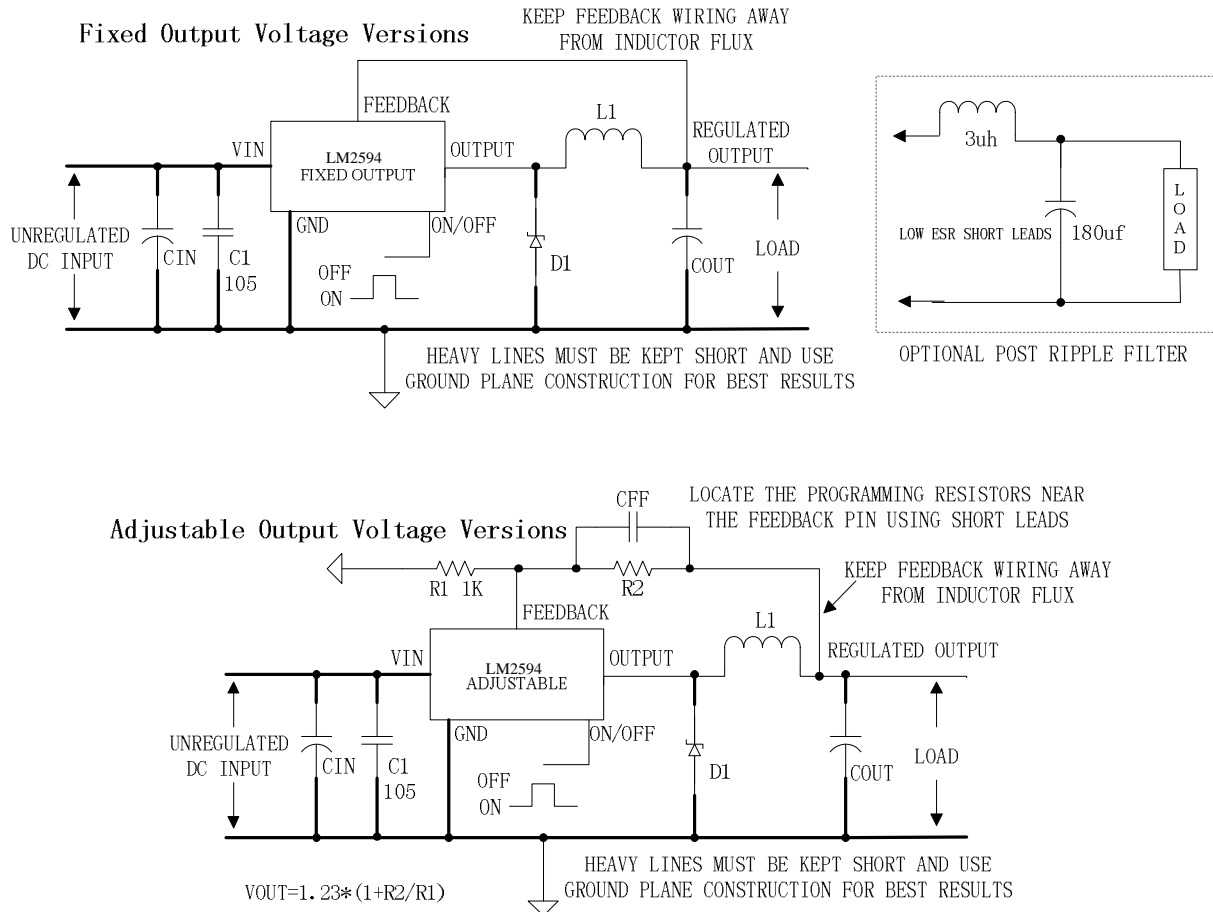


Figure5. Standard Test Circuits and Layout Guides

Select R1 to be approximately 1K, use a 1% resistor for best stability.

C1 and CFF are optional; in order to increase stability and reduce the input power line noise, CIN and C1 must be placed near to PIN1 and PIN5~8;

For output voltages greater than approximately 10V, an additional capacitor CFF is required. The compensation capacitor is typically between 100 pf and 33 nf, and is wired in parallel with the output voltage setting resistor, R2. It provides additional stability for high output voltage, low input-output voltages, and/or very low ESR output capacitors, such as solid tantalum capacitors.

$CFF = 1 / (31 * 1000 * R2)$ ; This capacitor type can be ceramic, plastic, silver mica, etc. (Because of the unstable characteristics of ceramic capacitors made with Z5U material, they are not recommended.)

**LM2594(HV) Series Buck Regulator Design Procedure (Fixed Output)**

Conditions			Inductor (L1)	Output Capacitor (COUT)			
Output Voltage (V)	Load Current (A)	Max Input Voltage (V)		Inductance (uh)	Through Hole Electrolytic		Surface Mount Tantalum
			Panasonic HFQ Series (uf/V)		Nichicon PL Series (uf/V)	AVX TPS Series (uf/V)	Sprague 595D Series (uf/V)
3.3	1.5	6	22	470/25	470/35	330/6.3	390/6.3
		10	33	330/35	330/35	330/6.3	390/6.3
		40	47	330/35	270/50	220/10	330/10
5	1.5	9	22	470/25	560/16	220/10	330/10
		20	68	180/35	180/35	100/10	270/10
		40	68	180/35	180/35	100/10	270/10
12	1.5	15	33	330/25	330/25	100/16	180/16
		20	68	180/25	180/25	100/16	120/20
		40	150	82/25	82/25	68/20	68/25



### LM2594(HV) Series Buck Regulator Design Procedure (Adjustable Output)

Output Voltage (V)	Through Hole Output Electrolytic			Surface Mount Output Capacitor		
	Panasonic HFQ Series (uf/V)	Nichicon PL Series (uf/V)	Feedforward Capacitor	AVX TPS Series (uf/V)	Sprague 595D Series (uf/V)	Feedforward Capacitor
2	820/35	820/35	33nf	330/6.3	470/4	33nf
4	560/35	470/35	10nf	330/6.3	390/6.3	10nf
6	470/25	470/35	3.3nf	220/10	330/10	3.3nf
9	330/25	330/25	1.5nf	100/16	180/16	1.5nf
12	330/25	330/25	1nf	100/16	180/16	1nf
15	220/25	220/35	680pf	68/20	120/20	680pf
24	220/35	150/35	560pf	33/25	33/25	220pf
28	100/50	100/50	390pf	10/35	15/50	220pf

### Schottky Diode Selection Table

Current	Surface Mount	Through Hole	VR (The same as system maximum input voltage)				
			20V	30V	40V	50V	60V
1A		√	1N5817	1N5818	1N5819		
		√	1N5820	1N5821	1N5822		
3A		√	MBR320	MBR330	MBR340	MBR350	MBR360
	√		SK32	SK33	SK34	SK35	SK36
	√			30WQ03	30WQ04	30WQ05	
		√		31DQ03	31DQ04	31DQ05	
		√	SR302	SR303	SR304	SR305	SR306

**Typical System Application for 3.3V Version**

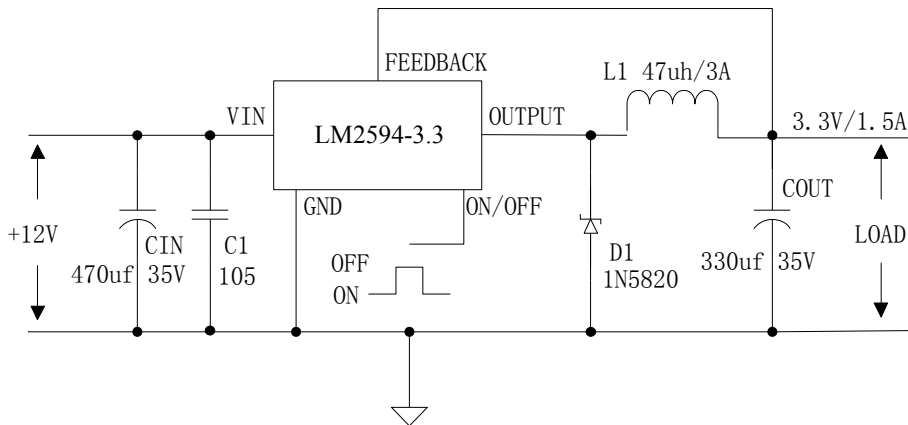


Figure6. LM2594(HV)-3.3 System Parameters Test Circuit

**Typical System Application for 5V Version**

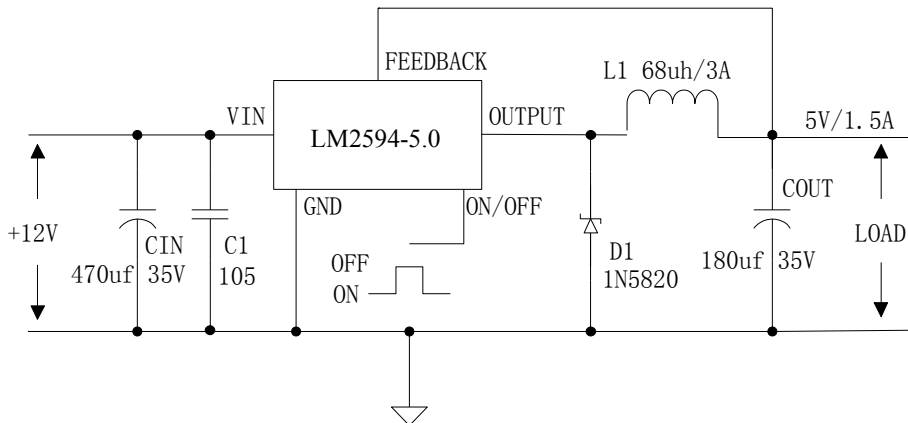


Figure7. LM2594(HV)-5.0 System Parameters Test Circuit

**Typical System Application for 12V Version**

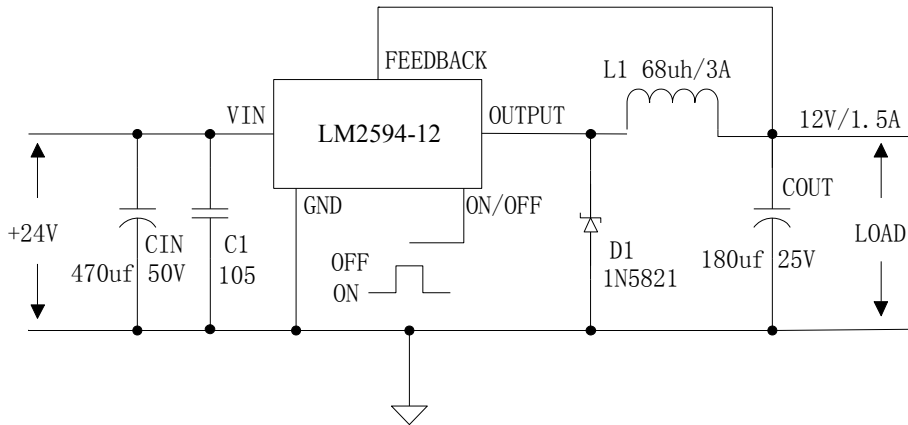


Figure8. LM2594(HV)-12 System Parameters Test Circuit

**Typical System Application for ADJ Version**

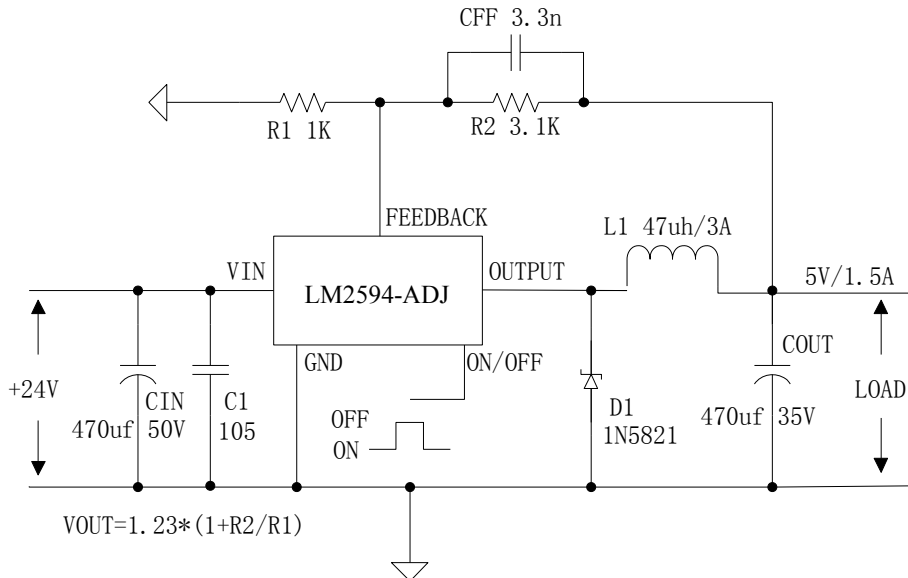
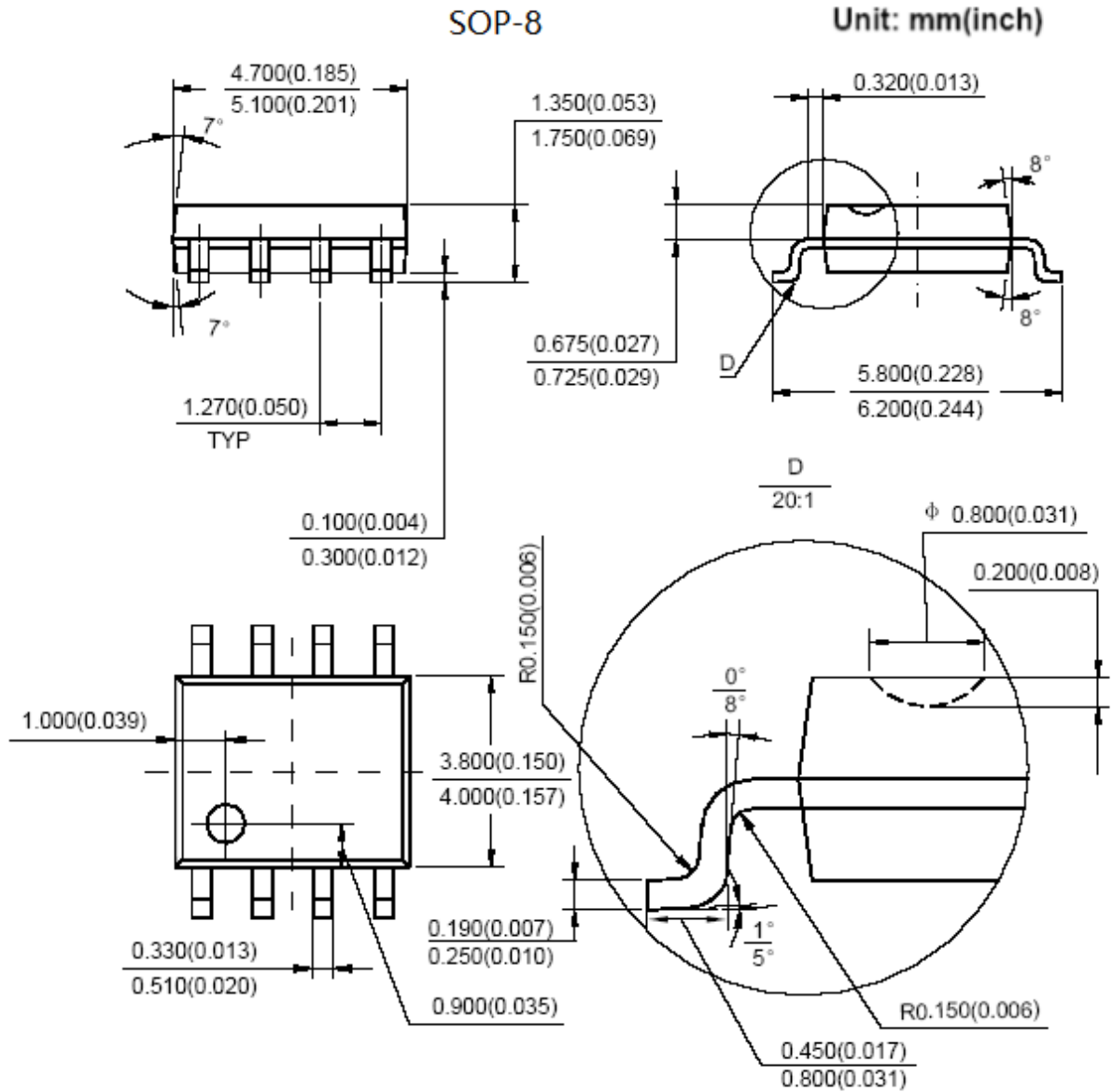


Figure9. LM2594(HV)-ADJ System Parameters Test Circuit

Package Information

SOP8 Package Mechanical Dimensions



### Ordering information

Order code	Package	Baseqty	Delivery mode	Operating temperature range
UMW LM2594M-3.3	SOP-8	2500	Tape and reel	-20° - +85°
UMW LM2594M-5.0	SOP-8	2500	Tape and reel	
UMW LM2594M-12	SOP-8	2500	Tape and reel	
UMW LM2594M-ADJ	SOP-8	2500	Tape and reel	
UMW LM2594HVM-3.3	SOP-8	2500	Tape and reel	-40° - +85°
UMW LM2594HVM-5.0	SOP-8	2500	Tape and reel	
UMW LM2594HVM-12	SOP-8	2500	Tape and reel	
UMW LM2594HVM-ADJ	SOP-8	2500	Tape and reel	

单击下面可查看定价，库存，交付和生命周期等信息

[>>UMW\(友台半导体\)](#)