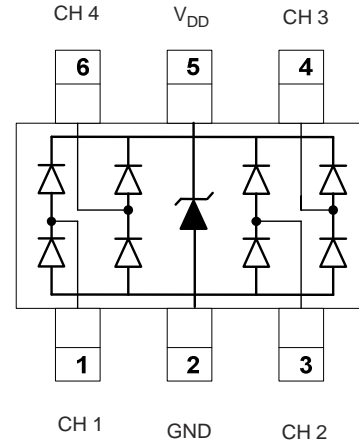


Features

- Ultra low capacitance: 0.3pF typical (I/O-IO)
- Ultra low leakage: nA level
- Low operating voltage: 5V
- Low clamping voltage
- IEC 61000-4-2 (ESD) immunity test
 Air discharge :
 Contact discharge : ±15kV
 IEC61000-4-5 (Lightning) 5A (8/20µs)



Applications

- Monitors and flat panel displays
- Set-top box and Digital TV
- Video graphics cards
- Digital Video Interface (DVI)

Absolute Maximum Ratings (Tamb=25°C unless otherwise specified)

Parameter	Symbol	Value	Unit
Peak Pulse Power (8/20µs)	Ppk	70	W
Peak Pulse Current (8/20µs)	Ipp	5	A
ESD per IEC 61000-4-2 (Air)	VESD	±20	kV
ESD per IEC 61000-4-2 (Contact)		±15	
Operating Temperature Range	TJ	-55 to +125	°C
Storage Temperature Range	Tstg	-55 to +150	°C

Electrical Characteristics (TA=25°C unless otherwise specified)

Parameter	Symbol	Min	Typ	Max	Unit	Test Condition
Reverse Working Voltage	VRWM			5	V	
Breakdown Voltage	VBR	6	7.5	9	V	IT = 1mA
Reverse Leakage Current	IR			0.08	µA	VRWM = 5V
Clamping Voltage	VC			10	V	Ipp=1A(8x 20us pulse)
Clamping Voltage	VC			14	V	Ipp=5A(8x 20us pulse)
Junction Capacitance	CJ		0.6	0.8	pF	VR = 0V, f = 1MHz, IO to GND
Junction Capacitance	CJ		0.3		pF	VR = 0V, f = 1MHz, IO to IO

Typical Performance Characteristics ($T_A=25^{\circ}\text{C}$ unless otherwise Specified)

Fig1. 8/20 μs Pulse Waveform

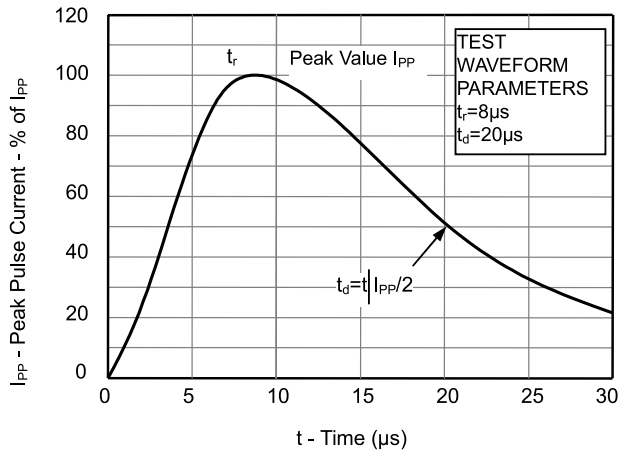


Fig2. ESD Pulse Waveform (according to IEC 61000-4-2)

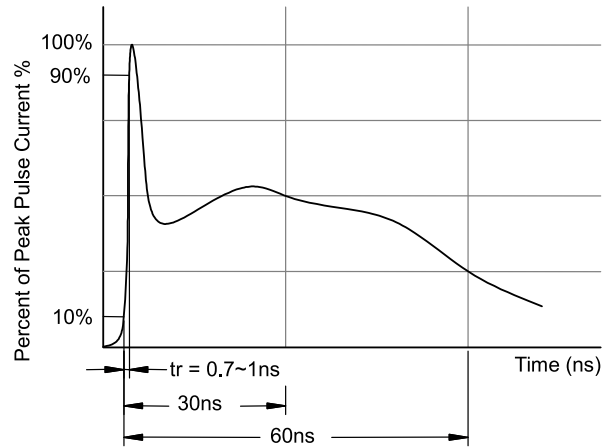
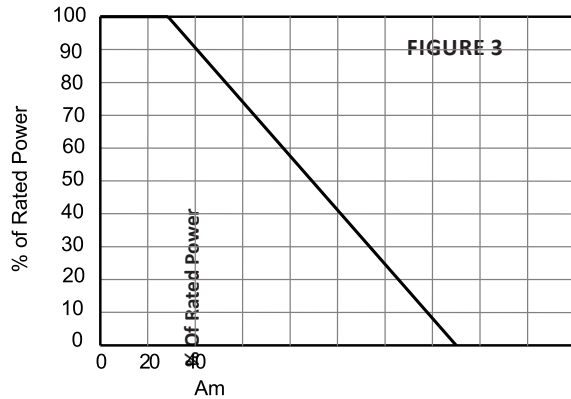
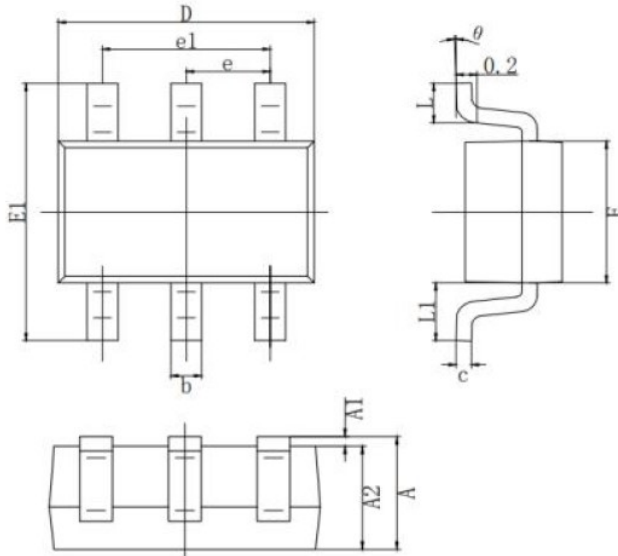


Fig3. Power Derating Curve

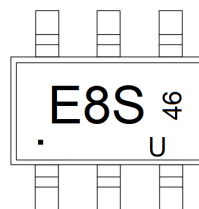


SOT-363 PACKAGE OUTLINE DIMENSIONS



SYMBOL	MILLIMETER	
	MIN	MAX
A	0.900	1.100
A1	0.000	0.100
A2	0.900	1.000
b	0.150	0.350
c	0.080	0.150
D	2.000	2.200
E	1.150	1.350
E1	2.150	2.450
e	0.650 TYP.	
e1	1.200	1.400
L	0.525 REF.	
L1	0.260	0.460
θ	0°	8°

Marking



Ordering information

Order code	Package	Base qty	Delivery mode
UMW ESD5V3U4RRS	SOT-363	3000	Tape and reel

单击下面可查看定价，库存，交付和生命周期等信息

[>>UMW\(友台半导体\)](#)