



# LD1117/A

## LINEAR INTEGRATED CIRCUIT

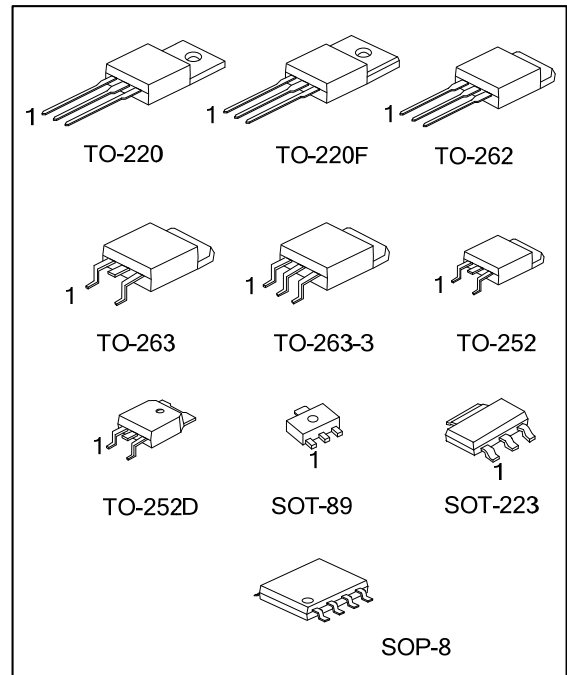
### LOW DROP FIXED AND ADJUSTABLE POSITIVE VOLTAGE REGULATORS

■ DESCRIPTION

The UTC **LD1117/A** is a low dropout, 3-terminal positive voltage regulator designed to provide output current up to 800mA/1A, There are adjustable version ( $V_{REF}=1.25V$ ) and various fixed versions.

■ FEATURES

- \* Low dropout voltage
- \* Suitable for SCSI-2 active termination if  $V_{OUT}$  set to 2.85V
- \* Output current up to 0.8A for 1117 and 1.0A for 1117A
- \* Built-in current limit and over temperature protection
- \* Low current consumption
- \* Support MLCC



■ ORDERING INFORMATION

Ordering Number		Package	② Pin Assignment			③ Packing
Lead Free	Halogen Free		Pin Code	1	2	
LD1117①L-xx-AA3-②-③	LD1117①G-xx-AA3-②-③	SOT-223	A	G	O	R: Tape Reel T: Tube
LD1117①L-xx-AB3-②-③	LD1117①G-xx-AB3-②-③	SOT-89	B	O	G	
LD1117①L-xx-TA3-②-③	LD1117①G-xx-TA3-②-③	TO-220	C	G	I	
LD1117①L-xx-TF3-②-③	LD1117①G-xx-TF3-②-③	TO-220F	D	I	G	
LD1117①L-xx-TN3-②-③	LD1117①G-xx-TN3-②-③	TO-252	GOOlxOOx			
LD1117①L-xx-TND-②-③	LD1117①G-xx-TND-②-③	TO-252D				
LD1117①L-xx-T2Q-②-③	LD1117①G-xx-T2Q-②-③	TO-262				
LD1117①L-xx-TQ2-②-③	LD1117①G-xx-TQ2-②-③	TO-263				
LD1117①L-xx-TQ3-②-③	LD1117①G-xx-TQ3-②-③	TO-263-3				
LD1117①L-xx-S08-②-③	LD1117①G-xx-S08-②-③	SOP-8				

Notes: 1. ① : Current code: Blank: 800mA A: 1A  
 2. Pin Assignment: I:  $V_{IN}$  O:  $V_{OUT}$  G: GND/ADJ  
 3. xx: Output Voltage, Refer to Marking Information.

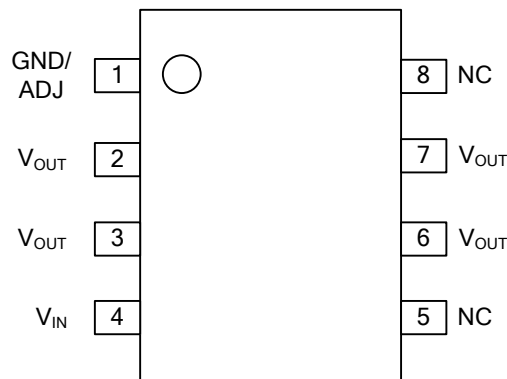
<p>LD1117①G-xx-AA3-②-③</p> <p>(1)Packing Type          (2)Pin Assignment          (3)Package Type          (4)Output Voltage Code          (5)Green Package          (6)Current Code</p>	<p>(1) R: Tape Reel, T: Tube          (2) refer to Pin Assignment          (3) AA3: SOT-223, AB3: SOT-89, TA3:TO-220, TF3: TO-220F, TN3: TO-252, TND: TO-252D T2Q: TO-262, TQ2: TO-263, TQ3: TO-263-3, S08: SOP-8          (4) xx: refer to Marking Information          (5) G: Halogen Free and Lead Free, L: Lead Free          (6) Blank: 800mA, A: 1A</p>
--	---

### MARKING INFORMATION

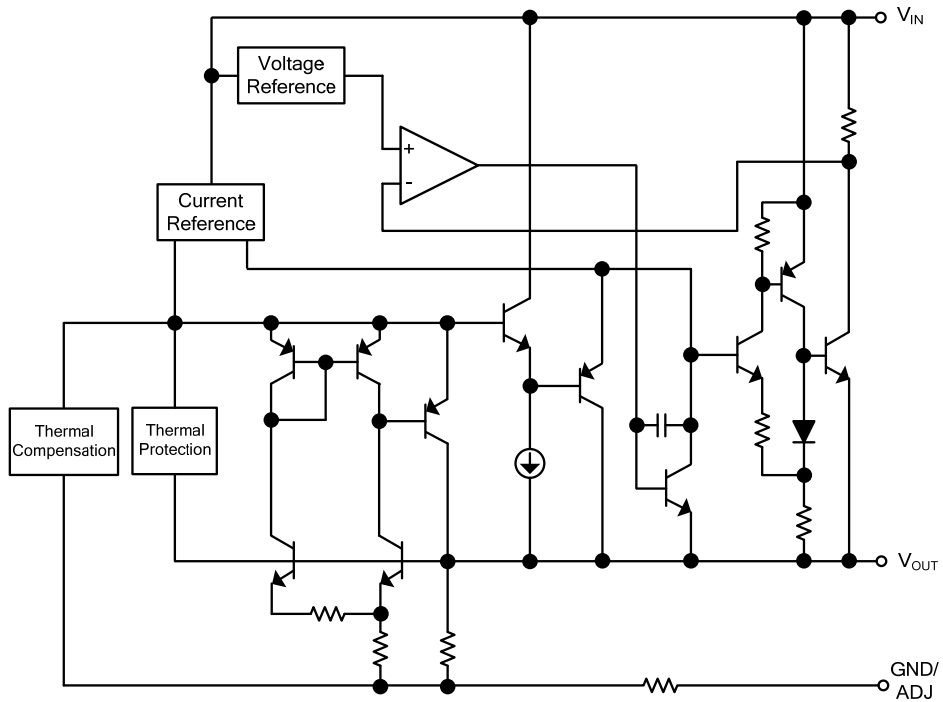
PACKAGE	VOLTAGE CODE	MARKING
SOT-89		<p>           Date Code ← [ ][ ][ ][ ] XX [ ] → Pin Code            Current Code ← LD1117 [ ] [ ] → Voltage Code            → L: Lead Free            → G: Halogen Free         </p>
SOT-223	12 : 1.2V 15 : 1.5V 18 : 1.8V 25 : 2.5V 2J : 2.85V	<p>           Current Code ← [ ][ ][ ][ ] LD1117 [ ] [ ] → L: Lead Free            → G: Halogen Free            Voltage Code ← XX [ ] [ ][ ][ ][ ] → Pin Code            → Date Code         </p>
TO-220 TO-220F TO-252 TO-252D TO-262 TO-263 TO-263-3	30 : 3.0V 33 : 3.3V 36 : 3.6V 50 : 5.0V AD : ADJ	<p>           Current Code ← [ ][ ][ ][ ] UTC [ ][ ][ ][ ] → L: Lead Free            → G: Halogen Free            Pin Code ← LD1117 [ ][ ][ ][ ] → Lot Code            Voltage Code ← XX [ ][ ][ ][ ][ ] → Date Code         </p>
SOP-8		<p>           Current Code ← [ ][ ][ ][ ] UTC [ ][ ][ ][ ] → Date Code            Voltage Code ← [ ][ ][ ][ ] LD1117 [ ][ ][ ][ ] → L: Lead Free            → G: Halogen Free            → Lot Code         </p>

Note: Current code: Blank: 0.8A A: 1A

### PIN CONFIGURATION of SOP-8



## ■ BLOCK DIAGRAM



■ ABSOLUTE MAXIMUM RATINGS ( $T_A=25^{\circ}\text{C}$ )

PARAMETER	SYMBOL	RATINGS	UNIT
DC Input Voltage	$V_{IN}$	18	V
Power Dissipation	$P_D$	Internally limited	
Junction Temperature	$T_J$	+150	$^{\circ}\text{C}$
Operating Temperature (Note 2)	$T_{OPR}$	-20 ~ +125	$^{\circ}\text{C}$
Storage temperature	$T_{STG}$	-65 ~ +150	$^{\circ}\text{C}$

Notes: 1. Absolute maximum ratings are those values beyond which the device could be permanently damaged.

Absolute maximum ratings are stress ratings only and functional device operation is not implied.

2. This condition is only determined from design. It can't be 100% tested in mass production.

■ RECOMMENDED OPERATING RATINGS

PARAMETER	SYMBOL	RATINGS	UNIT
Input Voltage	$V_{IN}$	15	V
Operating Junction Temperature	$T_J$	-20 ~ +125	$^{\circ}\text{C}$

■ THERMAL DATA

PARAMETER		SYMBOL	RATINGS	UNIT
Junction to Ambient	SOT-223	$\theta_{JA}$	165	$^{\circ}\text{C/W}$
	SOT-89		180	$^{\circ}\text{C/W}$
	SOP-8		150	$^{\circ}\text{C/W}$
	TO-252/TO-252D		112	$^{\circ}\text{C/W}$
	TO-220		54	$^{\circ}\text{C/W}$
	TO-262/TO-263		64	$^{\circ}\text{C/W}$
Junction to Case	SOT-223	$\theta_{JC}$	15	$^{\circ}\text{C/W}$
	SOT-89		50	$^{\circ}\text{C/W}$
	SOP-8		20	$^{\circ}\text{C/W}$
	TO-252/TO-252D		12	$^{\circ}\text{C/W}$
	TO-220/TO-262		4	$^{\circ}\text{C/W}$
	TO-263			

### ■ ELECTRICAL CHARACTERISTICS

( $T_A=25^\circ\text{C}$ , refer to the test circuits,  $T_J=0 \sim 125^\circ\text{C}$ ,  $C_O=10\mu\text{F}$  unless otherwise specified)

#### For LD1117/A-1.2

PARAMETER	SYMBOL	TEST CONDITIONS	MIN.	TYP.	MAX.	UNIT
Output Voltage	$V_{OUT}$	$V_{IN}=3.2\text{V}$ , $I_{OUT}=10\text{mA}$ , $T_J=25^\circ\text{C}$	1.176	1.200	1.224	V
Output Voltage	$V_{OUT}$	$V_{IN}=2.7$ to $8\text{V}$ LD1117 : $I_{OUT}=10\sim 800\text{mA}$ LD1117A : $I_{OUT}=10\sim 1000\text{mA}$	1.176	1.200	1.224	V
Line Regulation	$\Delta V_{OUT}$	$V_{IN}=2.7$ to $8\text{V}$ , $I_{OUT}=10\text{mA}$		1	6	mV
Load Regulation	$\Delta V_{OUT}$	$V_{IN}=2.7\text{V}$ LD1117 : $I_{OUT}=10\sim 800\text{mA}$ LD1117A : $I_{OUT}=10\sim 1000\text{mA}$		1	10	mV
Temperature stability	$\Delta V_{OUT}$			0.5		%
Long Term Stability	$\Delta V_{OUT}$	1000 hrs, $T_J=125^\circ\text{C}$		0.3		%
Operating Input Voltage	$V_{IN}$	$I_{OUT}=100\text{mA}$			15	V
Quiescent Current	$I_Q$	$V_{IN}\leq 10\text{V}$		5	10	mA
Current Limit	$I_{LIMIT}$	$V_{IN}=6.2\text{V}$ , $T_J=25^\circ\text{C}$	LD1117	800		mA
			LD1117A	1000		
Minimum Load Current	$I_{O(MIN)}$	$V_{IN}=15\text{V}$		2	5	mA
Output Noise Voltage	$e_N$	$B=10\text{Hz}$ to $10\text{KHz}$ , $T_J=25^\circ\text{C}$		100		$\mu\text{V}$
Supply Voltage Rejection	SVR	$I_{OUT}=40\text{mA}$ , $f=120\text{Hz}$ , $T_J=25^\circ\text{C}$ , $V_{IN}=4.2\text{V}$ , $V_{RIPPLE}=1\text{V}_{PP}$	60	75		dB
Dropout Voltage	$V_D$	$I_{OUT}=100\text{mA}$		1.00	1.10	V
		$I_{OUT}=500\text{mA}$		1.15	1.25	
		$I_{OUT}=800\text{mA}$		1.20	1.30	
		$I_{OUT}=1\text{A}$		1.20	1.30	
Thermal Regulation		$T_A=25^\circ\text{C}$ , 30ms Pulse		0.01	0.10	%/W

#### For LD1117/A-1.5

PARAMETER	SYMBOL	TEST CONDITIONS	MIN.	TYP.	MAX.	UNIT
Output Voltage	$V_{OUT}$	$V_{IN}=3.5\text{V}$ , $I_{OUT}=10\text{mA}$ , $T_J=25^\circ\text{C}$	1.470	1.500	1.530	V
Output Voltage	$V_{OUT}$	$V_{IN}=3$ to $8\text{V}$ LD1117 : $I_{OUT}=0\sim 800\text{mA}$ LD1117A : $I_{OUT}=0\sim 1000\text{mA}$	1.470	1.500	1.530	V
Line Regulation	$\Delta V_{OUT}$	$V_{IN}=3$ to $8\text{V}$ , $I_{OUT}=0\text{mA}$		1	6	mV
Load Regulation	$\Delta V_{OUT}$	$V_{IN}=3\text{V}$ LD1117 : $I_{OUT}=0\sim 800\text{mA}$ LD1117A : $I_{OUT}=0\sim 1000\text{mA}$		1	10	mV
Temperature stability	$\Delta V_{OUT}$			0.5		%
Long Term Stability	$\Delta V_{OUT}$	1000 hrs, $T_J=125^\circ\text{C}$		0.3		%
Operating Input Voltage	$V_{IN}$	$I_{OUT}=100\text{mA}$			15	V
Quiescent Current	$I_Q$	$V_{IN}\leq 10\text{V}$		5	10	mA
Current Limit	$I_{LIMIT}$	$V_{IN}=6.5\text{V}$ , $T_J=25^\circ\text{C}$	LD1117	800		mA
			LD1117A	1000		
Output Noise Voltage	$e_N$	$B=10\text{Hz}$ to $10\text{KHz}$ , $T_J=25^\circ\text{C}$		100		$\mu\text{V}$
Supply Voltage Rejection	SVR	$I_{OUT}=40\text{mA}$ , $f=120\text{Hz}$ , $T_J=25^\circ\text{C}$ , $V_{IN}=4.5\text{V}$ , $V_{RIPPLE}=1\text{V}_{PP}$	60	75		dB
Dropout Voltage	$V_D$	$I_{OUT}=100\text{mA}$		1.00	1.10	V
		$I_{OUT}=500\text{mA}$		1.15	1.25	
		$I_{OUT}=800\text{mA}$		1.20	1.30	
		$I_{OUT}=1\text{A}$		1.20	1.30	
Thermal Regulation		$T_A=25^\circ\text{C}$ , 30ms Pulse		0.01	0.10	%/W

■ ELECTRICAL CHARACTERISTICS(Cont.)

For LD1117/A-1.8

PARAMETER	SYMBOL	TEST CONDITIONS	MIN.	TYP.	MAX.	UNIT
Output Voltage	$V_{OUT}$	$V_{IN}=3.8V, I_{OUT}=10mA, T_J=25^{\circ}C$	1.764	1.800	1.836	V
Output Voltage	$V_{OUT}$	$V_{IN}=3.3$ to 8V LD1117 : $I_{OUT}=0\sim 800mA$ LD1117A : $I_{OUT}=0\sim 1000mA$	1.764	1.800	1.836	V
Line Regulation	$\Delta V_{OUT}$	$V_{IN}=3.3$ to 8V, $I_{OUT}=0mA$		1	6	mV
Load Regulation	$\Delta V_{OUT}$	$V_{IN}=3.3V$ LD1117 : $I_{OUT}=0\sim 800mA$ LD1117A : $I_{OUT}=0\sim 1000mA$		1	10	mV
Temperature stability	$\Delta V_{OUT}$			0.5		%
Long Term Stability	$\Delta V_{OUT}$	1000 hrs, $T_J=125^{\circ}C$		0.3		%
Operating Input Voltage	$V_{IN}$	$I_{OUT}=100mA$			15	V
Quiescent Current	$I_Q$	$V_{IN}\leq 10V$		5	10	mA
Current Limit	$I_{LIMIT}$	$V_{IN}=6.8V, T_J=25^{\circ}C$	LD1117	800		mA
			LD1117A	1000		
Output Noise Voltage	$e_N$	$B=10Hz$ to 10KHz, $T_J=25^{\circ}C$		100		$\mu V$
Supply Voltage Rejection	SVR	$I_{OUT}=40mA, f=120Hz, T_J=25^{\circ}C,$ $V_{IN}=5.5V, V_{RIPPLE}=1V_{PP}$	60	75		dB
Dropout Voltage	$V_D$		$I_{OUT}=100mA$	1.00	1.10	V
			$I_{OUT}=500mA$	1.15	1.25	
			$I_{OUT}=800mA$	1.20	1.30	
			$I_{OUT}=1A$	1.20	1.30	
Thermal Regulation		$T_A=25^{\circ}C, 30ms$ Pulse		0.01	0.10	%/W

For LD1117/A-2.5

PARAMETER	SYMBOL	TEST CONDITIONS	MIN.	TYP.	MAX.	UNIT
Output Voltage	$V_{OUT}$	$V_{IN}=4.5V, I_{OUT}=10mA, T_J=25^{\circ}C$	2.450	2.500	2.550	V
Output Voltage	$V_{OUT}$	$V_{IN}=3.9$ to 10V LD1117 : $I_{OUT}=0\sim 800mA$ LD1117A : $I_{OUT}=0\sim 1000mA$	2.450	2.500	2.550	V
Line Regulation	$\Delta V_{OUT}$	$V_{IN}=3.9$ to 10V, $I_{OUT}=0mA$		1	6	mV
Load Regulation	$\Delta V_{OUT}$	$V_{IN}=3.9V$ LD1117 : $I_{OUT}=0\sim 800mA$ LD1117A : $I_{OUT}=0\sim 1000mA$		1	10	mV
Temperature stability	$\Delta V_{OUT}$			0.5		%
Long Term Stability	$\Delta V_{OUT}$	1000 hrs, $T_J=125^{\circ}C$		0.3		%
Operating Input Voltage	$V_{IN}$	$I_{OUT}=100mA$			15	V
Quiescent Current	$I_Q$	$V_{IN}\leq 10V$		5	10	mA
Current Limit	$I_{LIMIT}$	$V_{IN}=7.5V, T_J=25^{\circ}C$	LD1117	800		mA
			LD1117A	1000		
Output Noise Voltage	$e_N$	$B=10Hz$ to 10KHz, $T_J=25^{\circ}C$		100		$\mu V$
Supply Voltage Rejection	SVR	$I_{OUT}=40mA, f=120Hz, T_J=25^{\circ}C,$ $V_{IN}=5.5V, V_{RIPPLE}=1V_{PP}$	60	75		dB
Dropout Voltage	$V_D$		$I_{OUT}=100mA$	1.00	1.10	V
			$I_{OUT}=500mA$	1.15	1.25	
			$I_{OUT}=800mA$	1.20	1.30	
			$I_{OUT}=1A$	1.20	1.30	
Thermal Regulation		$T_A=25^{\circ}C, 30ms$ Pulse		0.01	0.10	%/W

■ ELECTRICAL CHARACTERISTICS(Cont.)

For LD1117/A-2.85

PARAMETER	SYMBOL	TEST CONDITIONS	MIN	TYP	MAX	UNIT
Output Voltage	$V_{OUT}$	$V_{IN}=4.85V, I_{OUT}=10mA, T_J=25^{\circ}C$	2.793	2.850	2.907	V
Output Voltage	$V_{OUT}$	$V_{IN}=4.25$ to $10V$ LD1117 : $I_{OUT}=0\sim 800mA$ LD1117A : $I_{OUT}=0\sim 1000mA$	2.793	2.850	2.907	V
Line Regulation	$\Delta V_{OUT}$	$V_{IN}=4.25$ to $10V, I_{OUT}=0mA$		1	6	mV
Load Regulation	$\Delta V_{OUT}$	$V_{IN}=4.25V$ LD1117 : $I_{OUT}=0\sim 800mA$ LD1117A : $I_{OUT}=0\sim 1000mA$		1	10	mV
Temperature stability	$\Delta V_{OUT}$			0.5		%
Long Term Stability	$\Delta V_{OUT}$	1000 hrs, $T_J=125^{\circ}C$		0.3		%
Operating Input Voltage	$V_{IN}$	$I_{OUT}=100mA$			15	V
Quiescent Current	$I_Q$	$V_{IN}\leq 10V$		5	10	mA
Current Limit	$I_{LIMIT}$	$V_{IN}=7.85V, T_J=25^{\circ}C$	LD1117	800		mA
			LD1117A	1000		
Output Noise Voltage	$e_N$	$B=10Hz$ to $10KHz, T_J=25^{\circ}C$		100		$\mu V$
Supply Voltage Rejection	SVR	$I_{OUT}=40mA, f=120Hz, T_J=25^{\circ}C,$ $V_{IN}=5.85V, V_{RIPPLE}=1V_{PP}$	60	75		dB
Dropout Voltage	$V_D$		$I_{OUT}=100mA$	1.00	1.10	V
			$I_{OUT}=500mA$	1.15	1.25	
			$I_{OUT}=800mA$	1.20	1.30	
			$I_{OUT}=1A$	1.20	1.30	
Thermal Regulation		$T_A=25^{\circ}C, 30ms$ Pulse		0.01	0.10	%/W

For LD1117/A-3.0

PARAMETER	SYMBOL	TEST CONDITIONS	MIN	TYP	MAX	UNIT
Output Voltage	$V_{OUT}$	$V_{IN}=5V, I_{OUT}=10mA, T_J=25^{\circ}C$	2.940	3.000	3.060	V
Output Voltage	$V_{OUT}$	$V_{IN}=4.5$ to $10V$ LD1117 : $I_{OUT}=0\sim 800mA$ LD1117A : $I_{OUT}=0\sim 1000mA$	2.940	3.000	3.060	V
Line Regulation	$\Delta V_{OUT}$	$V_{IN}=4.5$ to $12V, I_{OUT}=0mA$		1	6	mV
Load Regulation	$\Delta V_{OUT}$	$V_{IN}=4.5V$ LD1117 : $I_{OUT}=0\sim 800mA$ LD1117A : $I_{OUT}=0\sim 1000mA$		1	10	mV
Temperature stability	$\Delta V_{OUT}$			0.5		%
Long Term Stability	$\Delta V_{OUT}$	1000 hrs, $T_J=125^{\circ}C$		0.3		%
Operating Input Voltage	$V_{IN}$	$I_{OUT}=100mA$			15	V
Quiescent Current	$I_Q$	$V_{IN}\leq 15V$		5	10	mA
Current Limit	$I_{LIMIT}$	$V_{IN}=8V, T_J=25^{\circ}C$	LD1117	800		mA
			LD1117A	1000		
Output Noise Voltage	$e_N$	$B=10Hz$ to $10KHz, T_J=25^{\circ}C$		100		$\mu V$
Supply Voltage Rejection	SVR	$I_{OUT}=40mA, f=120Hz, T_J=25^{\circ}C,$ $V_{IN}=6V, V_{RIPPLE}=1V_{PP}$	60	75		dB
Dropout Voltage	$V_D$		$I_{OUT}=100mA$	1.00	1.10	V
			$I_{OUT}=500mA$	1.15	1.25	
			$I_{OUT}=800mA$	1.20	1.30	
			$I_{OUT}=1A$	1.20	1.30	
Thermal Regulation		$T_A=25^{\circ}C, 30ms$ Pulse		0.01	0.10	%/W

■ ELECTRICAL CHARACTERISTICS(Cont.)

For LD1117/A-3.3

PARAMETER	SYMBOL	TEST CONDITIONS	MIN.	TYP.	MAX.	UNIT
Output Voltage	$V_{OUT}$	$V_{IN}=5.3V, I_{OUT}=10mA, T_J=25^{\circ}C$	3.234	3.300	3.366	V
Output Voltage	$V_{OUT}$	$V_{IN}=4.75$ to 10V LD1117 : $I_{OUT}=0\sim 800mA$ LD1117A : $I_{OUT}=0\sim 1000mA$	3.234	3.300	3.366	V
Line Regulation	$\Delta V_{OUT}$	$V_{IN}=4.75$ to 15V, $I_{OUT}=0mA$		1	6	mV
Load Regulation	$\Delta V_{OUT}$	$V_{IN}=4.75V$ LD1117 : $I_{OUT}=0\sim 800mA$ LD1117A : $I_{OUT}=0\sim 1000mA$		1	10	mV
Temperature stability	$\Delta V_{OUT}$			0.5		%
Long Term Stability	$\Delta V_{OUT}$	1000 hrs, $T_J=125^{\circ}C$		0.3		%
Operating Input Voltage	$V_{IN}$	$I_{OUT}=100mA$			15	V
Quiescent Current	$I_Q$	$V_{IN}\leq 15V$		5	10	mA
Current Limit	$I_{LIMIT}$	$V_{IN}=8.3V, T_J=25^{\circ}C$	LD1117	800		mA
			LD1117A	1000		
Output Noise Voltage	$e_N$	$B=10Hz$ to 10KHz, $T_J=25^{\circ}C$		100		$\mu V$
Supply Voltage Rejection	SVR	$I_{OUT}=40mA, f=120Hz, T_J=25^{\circ}C,$ $V_{IN}=6.3V, V_{RIPPLE}=1V_{PP}$	60	75		dB
Dropout Voltage	$V_D$		$I_{OUT}=100mA$	1.00	1.10	V
			$I_{OUT}=500mA$	1.15	1.25	
			$I_{OUT}=800mA$	1.20	1.30	
			$I_{OUT}=1A$	1.20	1.30	
Thermal Regulation		$T_A=25^{\circ}C, 30ms$ Pulse		0.01	0.10	%/W

For LD1117/A-3.6

PARAMETER	SYMBOL	TEST CONDITIONS	MIN.	TYP.	MAX.	UNIT
Output Voltage	$V_{OUT}$	$V_{IN}=5.6V, I_{OUT}=10mA, T_J=25^{\circ}C$	3.528	3.600	3.672	V
Output Voltage	$V_{OUT}$	$V_{IN}=5$ to 10V LD1117 : $I_{OUT}=0\sim 800mA$ LD1117A : $I_{OUT}=0\sim 1000mA$	3.528	3.600	3.672	V
Line Regulation	$\Delta V_{OUT}$	$V_{IN}=5$ to 15V, $I_{OUT}=0mA$		1	6	mV
Load Regulation	$\Delta V_{OUT}$	$V_{IN}=5V$ LD1117 : $I_{OUT}=0\sim 800mA$ LD1117A : $I_{OUT}=0\sim 1000mA$		1	10	mV
Temperature stability	$\Delta V_{OUT}$			0.5		%
Long Term Stability	$\Delta V_{OUT}$	1000 hrs, $T_J=125^{\circ}C$		0.3		%
Operating Input Voltage	$V_{IN}$	$I_{OUT}=100mA$			15	V
Quiescent Current	$I_Q$	$V_{IN}\leq 15V$		5	10	mA
Current Limit	$I_{LIMIT}$	$V_{IN}=8.6V, T_J=25^{\circ}C$	LD1117	800		mA
			LD1117A	1000		
Output Noise Voltage	$e_N$	$B=10Hz$ to 10KHz, $T_J=25^{\circ}C$		100		$\mu V$
Supply Voltage Rejection	SVR	$I_{OUT}=40mA, f=120Hz, T_J=25^{\circ}C,$ $V_{IN}=6.6V, V_{RIPPLE}=1V_{PP}$	60	75		dB
Dropout Voltage	$V_D$		$I_{OUT}=100mA$	1.00	1.10	V
			$I_{OUT}=500mA$	1.15	1.25	
			$I_{OUT}=800mA$	1.20	1.30	
			$I_{OUT}=1A$	1.20	1.30	
Thermal Regulation		$T_A=25^{\circ}C, 30ms$ Pulse		0.01	0.10	%/W



■ ELECTRICAL CHARACTERISTICS(Cont.)

For LD1117/A-5.0

PARAMETER	SYMBOL	TEST CONDITIONS	MIN.	TYP.	MAX.	UNIT
Output Voltage	$V_{OUT}$	$V_{IN}=7V, I_{OUT}=10mA, T_J=25^{\circ}C$	4.900	5.000	5.100	V
Output Voltage	$V_{OUT}$	$V_{IN}=6.5$ to 15V LD1117 : $I_{OUT}=0\sim 800mA$ LD1117A : $I_{OUT}=0\sim 1.0A$	4.900	5.000	5.100	V
Line Regulation	$\Delta V_{OUT}$	$V_{IN}=6.5$ to 15V, $I_{OUT}=0mA$		1	10	mV
Load Regulation	$\Delta V_{OUT}$	$V_{IN}=6.5V$ LD1117 : $I_{OUT}=0\sim 800mA$ LD1117A : $I_{OUT}=0\sim 1000mA$		1	15	mV
Temperature stability	$\Delta V_{OUT}$			0.5		%
Long Term Stability	$\Delta V_{OUT}$	1000 hrs, $T_J=125^{\circ}C$		0.3		%
Operating Input Voltage	$V_{IN}$	$I_{OUT}=100mA$			15	V
Quiescent Current	$I_Q$	$V_{IN}\leq 15V$		5	10	mA
Current Limit	$I_{LIMIT}$	$V_{IN}=10V, T_J=25^{\circ}C$	LD1117 800 LD1117A 1000			mA
Output Noise Voltage	$e_N$	$B=10Hz$ to 10KHz, $T_J=25^{\circ}C$		100		$\mu V$
Supply Voltage Rejection	SVR	$I_{OUT}=40mA, f=120Hz, T_J=25^{\circ}C,$ $V_{IN}=8V, V_{RIPPLE}=1V_{PP}$	60	75		dB
Dropout Voltage	$V_D$	$I_{OUT}=100mA$ $I_{OUT}=500mA$ $I_{OUT}=800mA$ $I_{OUT}=1A$		1.00 1.15 1.20 1.20	1.10 1.25 1.30 1.30	V
Thermal Regulation		$T_A=25^{\circ}C, 30ms$ Pulse		0.01	0.10	%/W

For LD1117/A-ADJ

PARAMETER	SYMBOL	TEST CONDITIONS	MIN.	TYP.	MAX.	UNIT
Reference Voltage	$V_{REF}$	$V_{IN}-V_{OUT}=2V, I_{OUT}=10mA, T_J=25^{\circ}C$	1.225	1.25	1.275	V
Reference Voltage	$V_{REF}$	$V_{IN}-V_{OUT}=1.4$ to 10V LD1117 : $I_{OUT}=10\sim 800mA$ LD1117A : $I_{OUT}=10\sim 1000mA$	1.225	1.25	1.275	V
Line Regulation	$\Delta V_{OUT}$	$V_{IN}-V_{OUT}=1.5$ to 13.75V, $I_{OUT}=10mA$		0.035	0.2	%
Load Regulation	$\Delta V_{OUT}$	$V_{IN}-V_{OUT}=3V$ LD1117 : $I_{OUT}=10\sim 800mA$ LD1117A : $I_{OUT}=10\sim 1000mA$		0.1	0.4	%
Temperature stability	$\Delta V_{OUT}$			0.50		%
Long Term Stability	$\Delta V_{OUT}$	1000 hrs, $T_J=125^{\circ}C$		0.3		%
Operating Input Voltage	$V_{IN}$				15	V
Adjustment Pin Current	$I_{ADJ}$	$V_{IN}\leq 15V$		60	120	$\mu A$
Adjustment Pin Current Change	$\Delta I_{ADJ}$	$V_{IN}-V_{OUT}=1.4$ to 10V, LD1117 : $I_{OUT}=10\sim 800mA$ LD1117A : $I_{OUT}=10\sim 1000mA$		1	5	$\mu A$
Minimum Load Current	$I_{O(MIN)}$	$V_{IN}=15V$		2	5	mA
Current Limit	$I_{LIMIT}$	$V_{IN}-V_{OUT}=5V, T_J=25^{\circ}C$	LD1117 800 LD1117A 1000			mA
Output Noise (% $V_O$ )	$e_N$	$B=10Hz$ to 10KHz, $T_J=25^{\circ}C$		0.003		%
Supply Voltage Rejection	SVR	$I_{OUT}=40mA, f=120Hz, T_J=25^{\circ}C,$ $V_{IN}-V_{OUT}=3V, V_{RIPPLE}=1V_{PP}$	60	75		dB
Dropout Voltage	$V_D$	$I_{OUT}=100mA$ $I_{OUT}=500mA$ $I_{OUT}=800mA$ $I_{OUT}=1A$		1.00 1.15 1.20 1.20	1.10 1.25 1.30 1.30	V
Thermal Regulation		$T_A=25^{\circ}C, 30ms$ Pulse		0.01	0.10	%/W

## TYPICAL APPLICATIONS

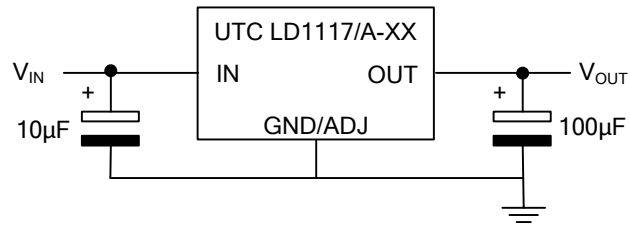


Fig.1 Tynca Application Circuit

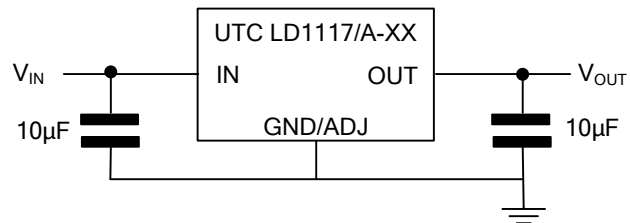


Fig.2 Tynca Application Circuit (FOR MLCC)

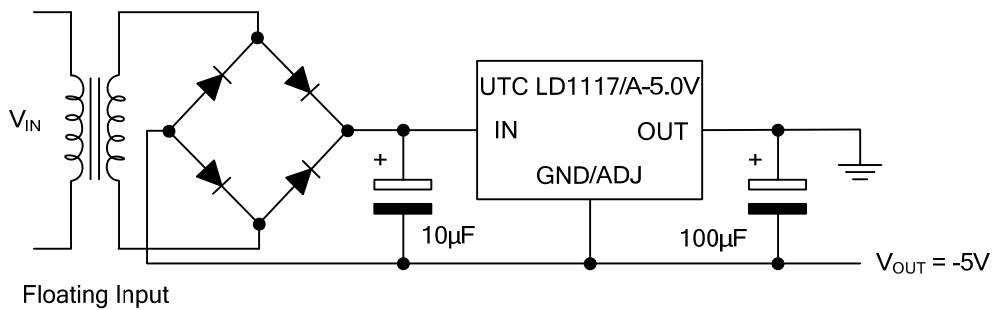


Fig.3 Negative Supply

■ TYPICAL APPLICATIONS(Cont.)

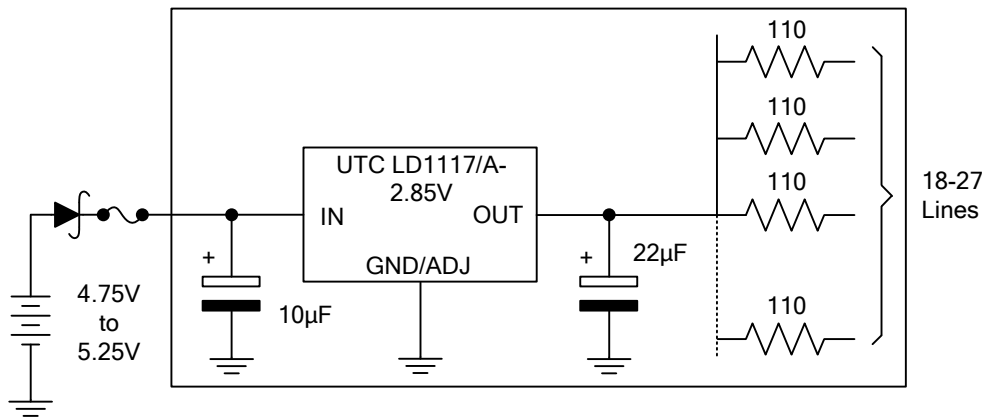


Fig.4 Active Terminator for SCSI-2 BUS

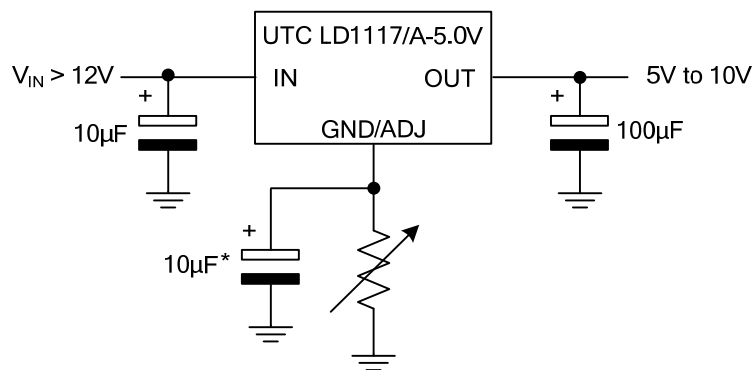


Fig.5 Circuit for Increasing Output Voltage

■ APPLICATION NOTE of LD1117/A ADJUSTABLE

The LD1117/A adjustable has a reference voltage of between the OUT and ADJ/GND pins.  $I_{ADJ}$  is 60µA typ. (120µA max.) and  $\Delta I_{ADJ}$  is 1µA typ. (5µA max.).

$R_1$  is normally fixed to 120Ω.

From figure 6 we obtain:

$$V_{OUT} = V_{REF} + R_2(I_{ADJ} + I_{R1}) = V_{REF} + R_2(I_{ADJ} + V_{REF}/R_1) = V_{REF}(1 + R_2/R_1) + R_2 \times I_{ADJ}$$

Usually  $R_2$  value is in the range of few KΩ, so the  $R_2 \times I_{ADJ}$  product could be neglected; then the above expression becomes:  $V_{OUT} = V_{REF}(1 + R_2/R_1)$

For better load regulation, realize a good Kelvin connection of  $R_1$  and  $R_2$  is important. Particularly  $R_1$  connection must be realized very close to OUT and ADJ/GND pin, while  $R_2$  ground connection must be placed as near as possible to the negative Load pin. Ripple rejection can be improved by introducing a 10µF electrolytic capacitor placed in parallel to the  $R_2$  resistor (See Fig. 8)

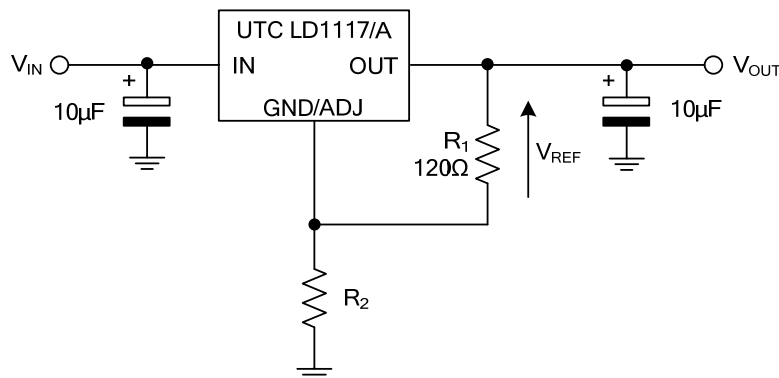


Fig.6 Adjustable Output Voltage Application Circuit

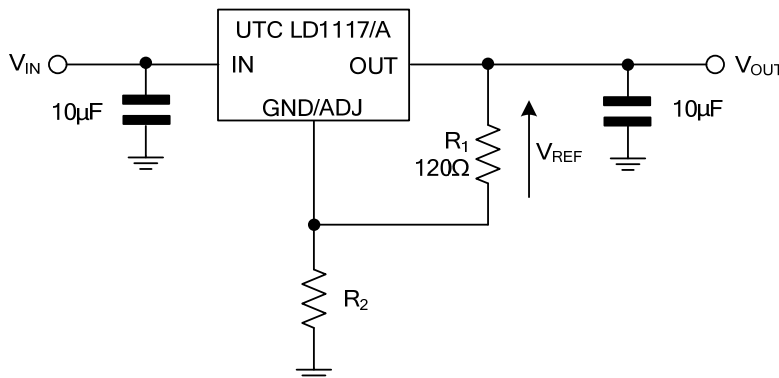


Fig.7 Adjustable Output Voltage Application Circuit (FOR MLCC)

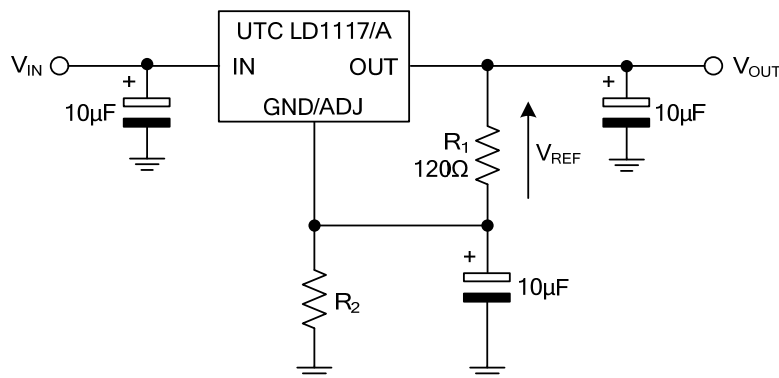
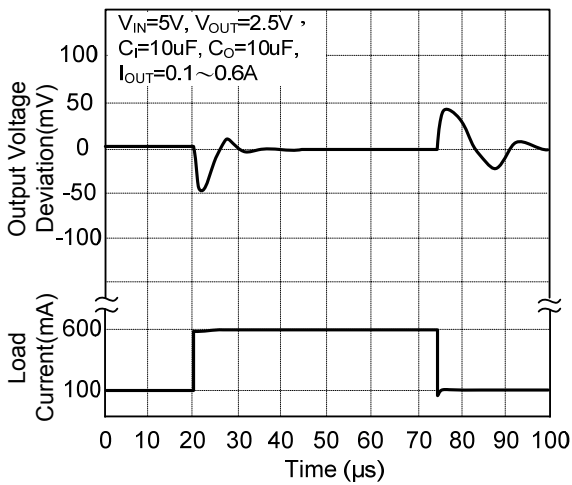


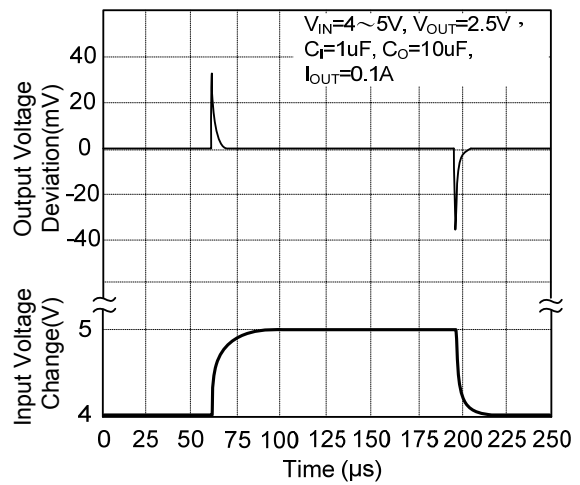
Fig.8 Adjustable Output Voltage Application with improved Ripple Rejection.

## TYPICAL CHARACTERISTICS

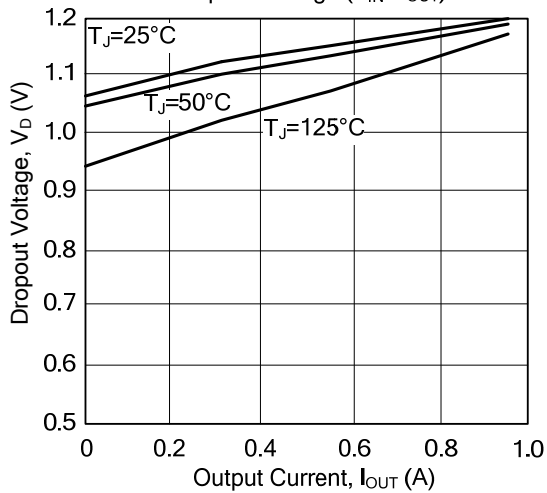
### Load Transient Response



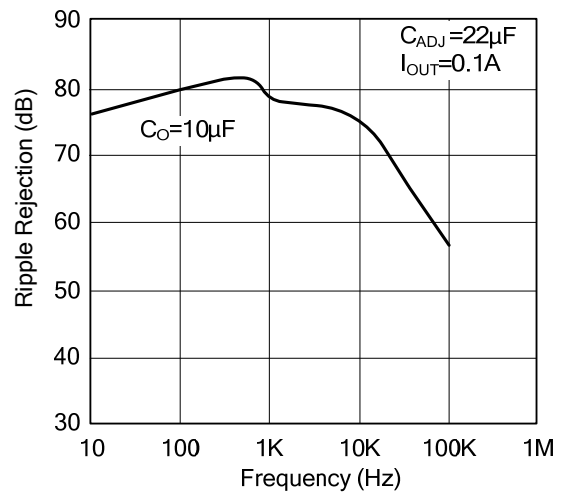
### Line Transient Response



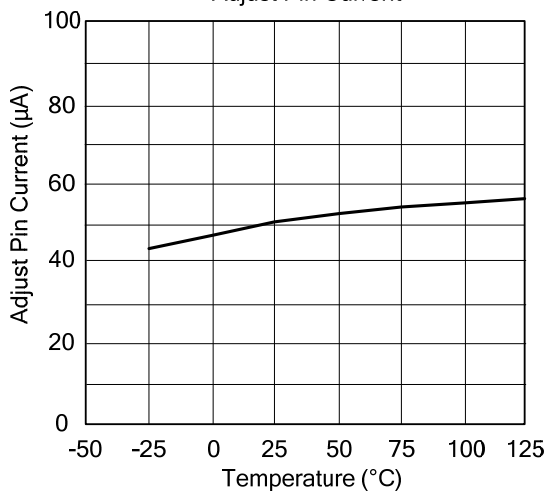
### Dropout Voltage ( $V_{IN}-V_{OUT}$ )



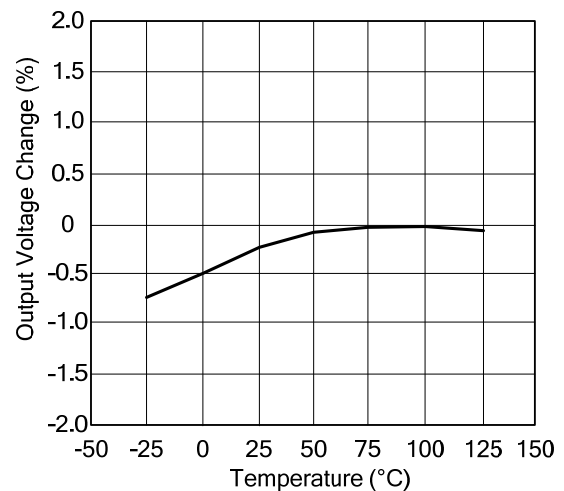
### Ripple Rejection



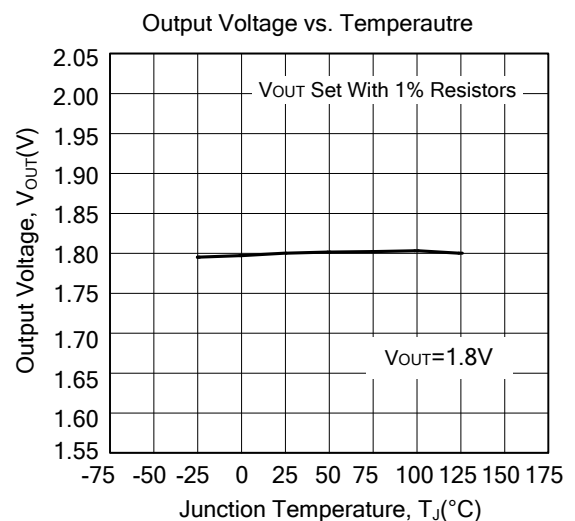
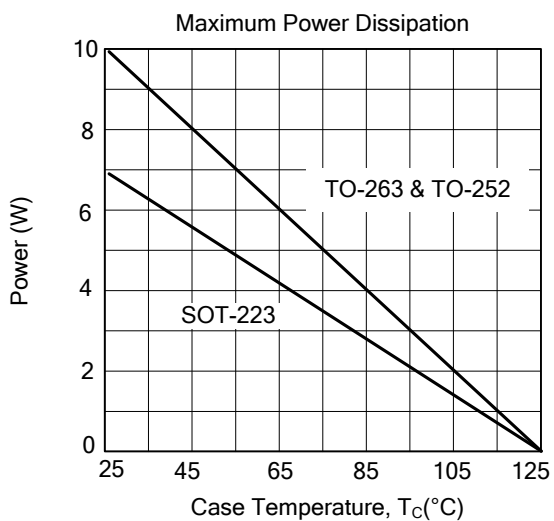
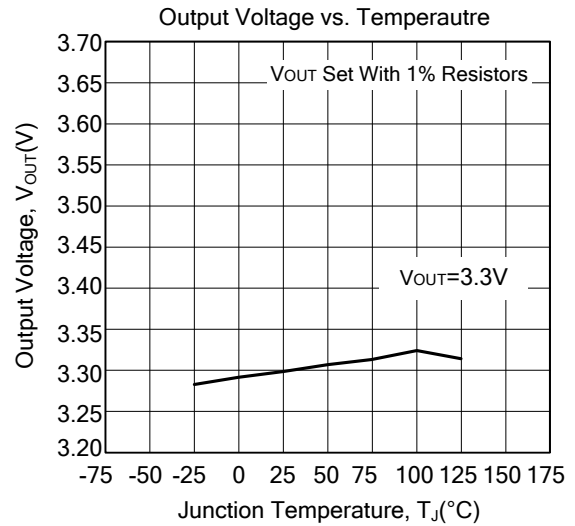
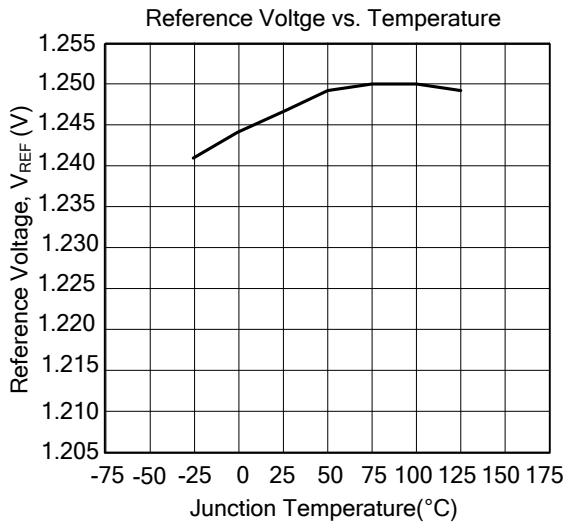
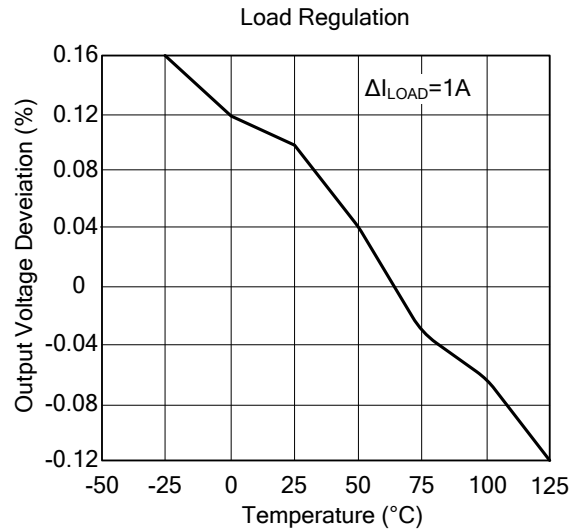
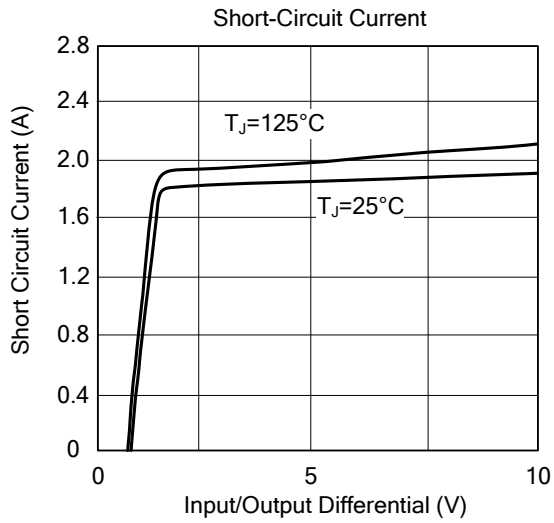
### Adjust Pin Current



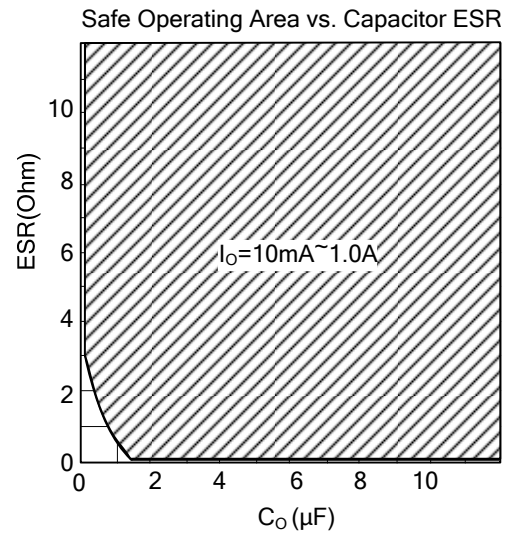
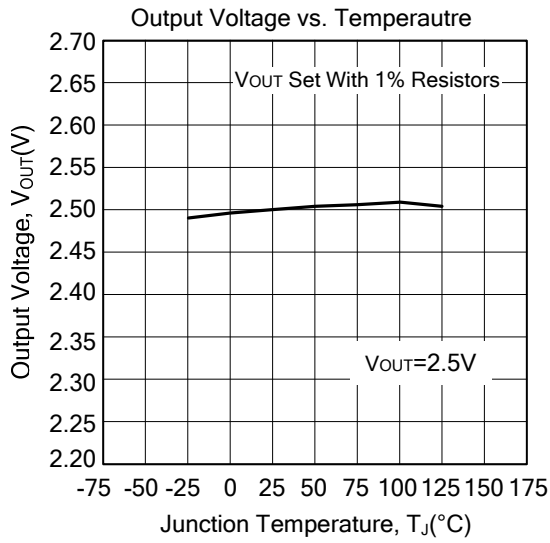
### Temperature Stability



### ■ TYPICAL CHARACTERISTICS(Cont.)



■ TYPICAL CHARACTERISTICS(Cont.)



UTC assumes no responsibility for equipment failures that result from using products at values that exceed, even momentarily, rated values (such as maximum ratings, operating condition ranges, or other parameters) listed in products specifications of any and all UTC products described or contained herein. UTC products are not designed for use in life support appliances, devices or systems where malfunction of these products can be reasonably expected to result in personal injury. Reproduction in whole or in part is prohibited without the prior written consent of the copyright owner. The information presented in this document does not form part of any quotation or contract, is believed to be accurate and reliable and may be changed without notice.

单击下面可查看定价，库存，交付和生命周期等信息

[>>UTC\(友顺\)](#)