



11NM65

Power MOSFET

11A, 650V N-CHANNEL SUPER-JUNCTION MOSFET

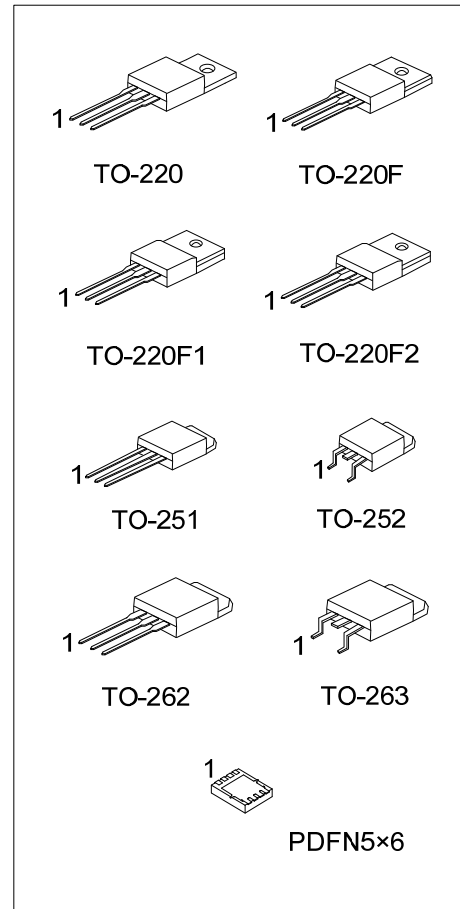
DESCRIPTION

The UTC **11NM65** is a Super Junction MOSFET Structure. It uses UTC advanced planar stripe, DMOS technology to provide customers perfect switching performance, minimal on-state resistance.

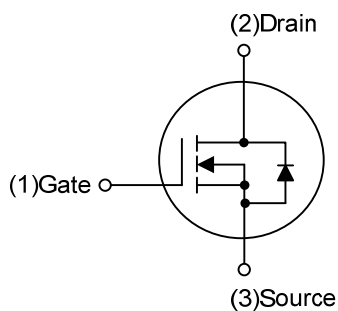
The UTC **11NM65** is universally applied in electronic lamp ballasts based on half bridge topology, high efficiency switched mode power supplies, active power factor correction, etc.

FEATURES

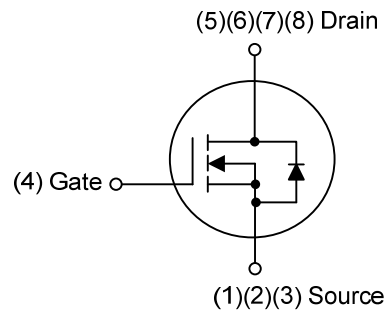
- * $R_{DS(ON)} \leq 0.43 \Omega @ V_{GS}=10V, I_D=5.5A$
- * By using Super Junction Structure
- * Fast Switching
- * With 100% Avalanche Tested



SYMBOL



TO-220/TO-220F/TO-220F1/TO-220F2
TO-251/TO-252/TO-262/TO-263

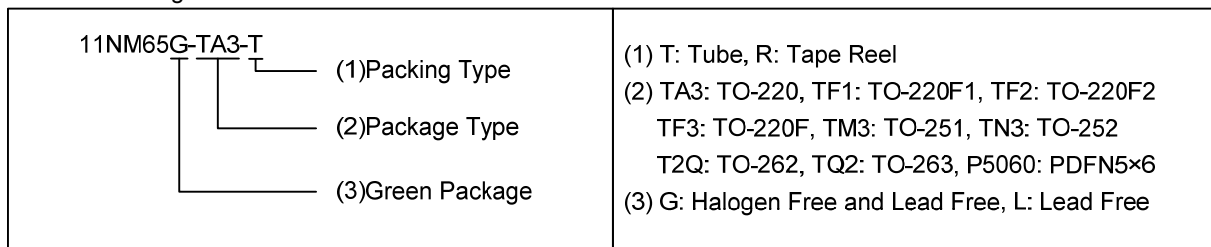


PDFN5x6

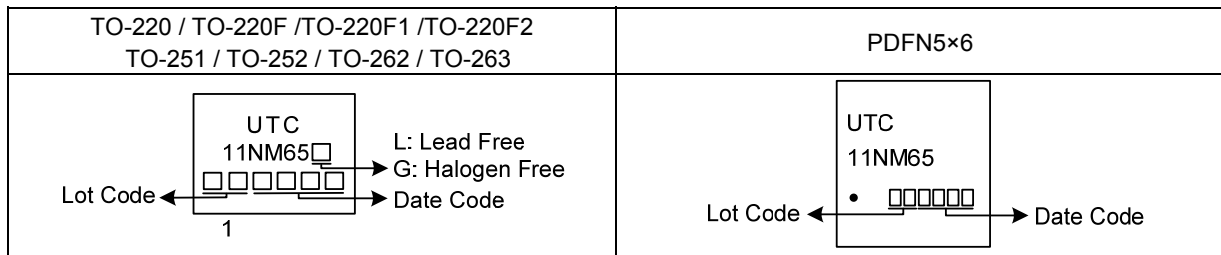
ORDERING INFORMATION

Ordering Number		Package	Pin Assignment								Packing
Lead Free	Halogen Free		1	2	3	4	5	6	7	8	
11NM65L-TA3-T	11NM65G-TA3-T	TO-220	G	D	S	-	-	-	-	-	Tube
11NM65L-TF1-T	11NM65G-TF1-T	TO-220F1	G	D	S	-	-	-	-	-	Tube
11NM65L-TF2-T	11NM65G-TF2-T	TO-220F2	G	D	S	-	-	-	-	-	Tube
11NM65L-TF3-T	11NM65G-TF3-T	TO-220F	G	D	S	-	-	-	-	-	Tube
11NM65L-TM3-T	11NM65G-TM3-T	TO-251	G	D	S	-	-	-	-	-	Tube
11NM65L-TN3-R	11NM65G-TN3-R	TO-252	G	D	S	-	-	-	-	-	Tape Reel
11NM65L-T2Q-T	11NM65G-T2Q-T	TO-262	G	D	S	-	-	-	-	-	Tube
11NM65L-TQ2-T	11NM65G-TQ2-T	TO-263	G	D	S	-	-	-	-	-	Tube
11NM65L-TQ2-R	11NM65G-TQ2-R	TO-263	G	D	S	-	-	-	-	-	Tape Reel
11NM65L-P5060-R	11NM65G-P5060-R	PDFN5×6	S	S	S	G	D	D	D	D	Tape Reel

Note: Pin Assignment: G: Gate D: Drain S: Source



MARKING



■ ABSOLUTE MAXIMUM RATINGS ($T_C = 25^\circ\text{C}$, unless otherwise specified)

PARAMETER		SYMBOL	RATINGS	UNIT
Drain-Source Voltage		V_{DSS}	650	V
Gate-Source Voltage		V_{GSS}	± 30	V
Drain Current	Continuous	I_D	11	A
	Pulsed (Note 2)	I_{DM}	44	A
Avalanche Current (Note 2)		I_{AR}	2.3	A
Avalanche Energy	Single Pulsed (Note 3)	E_{AS}	415	mJ
Peak Diode Recovery dv/dt (Note 4)		dv/dt	5.0	V/ns
Power Dissipation	TO-220/TO-262 TO-263	P_D	100	W
	TO-220F/TO-220F1 TO-220F2		30	W
	TO-251/TO-252		60	W
	PDFN5x6		28	W
Junction Temperature		T_J	+150	$^\circ\text{C}$
Storage Temperature		T_{STG}	-55 ~ +150	$^\circ\text{C}$

- Notes: 1. Absolute maximum ratings are those values beyond which the device could be permanently damaged. Absolute maximum ratings are stress ratings only and functional device operation is not implied.
 2. Repetitive Rating : Pulse width limited by maximum junction temperature.
 3. $L = 157\text{mH}$, $I_{AS} = 2.3\text{A}$, $V_{DD} = 50\text{V}$, $R_G = 25\ \Omega$, Starting $T_J = 25^\circ\text{C}$
 4. $I_{SD} \leq 11\text{A}$, $di/dt \leq 200\text{A}/\mu\text{s}$, $V_{DB} \leq BV_{DSS}$, Starting $T_J = 25^\circ\text{C}$

■ THERMAL DATA

PARAMETER		SYMBOL	RATINGS	UNIT
Junction to Ambient	TO-220/TO-220F TO-220F1/TO-220F2 TO-262/ TO-263	θ_{JA}	62.5	$^\circ\text{C}/\text{W}$
	TO-251/TO-252		110	$^\circ\text{C}/\text{W}$
	PDFN5x6		75	$^\circ\text{C}/\text{W}$
	Junction to Case		θ_{JC}	1.25
TO-220/TO-262 TO-263	4.16	$^\circ\text{C}/\text{W}$		
TO-220F/TO-220F1 TO-220F2	2.08 (Note)	$^\circ\text{C}/\text{W}$		
TO-251/TO-252 PDFN5x6	4.46 (Note)	$^\circ\text{C}/\text{W}$		

Note: Device mounted on FR-4 substrate PC board, 2oz copper, with 1inch square copper plate

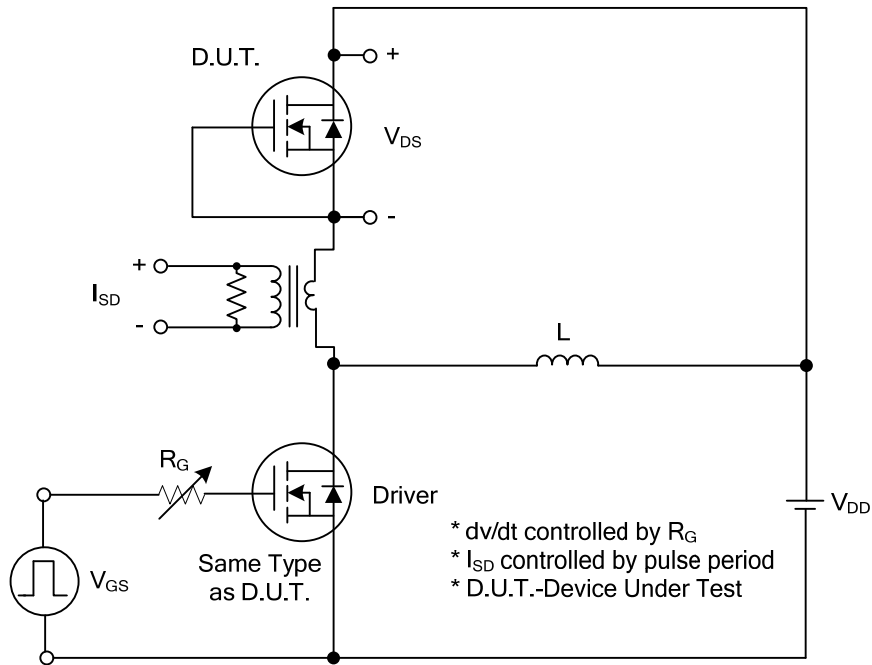
■ ELECTRICAL CHARACTERISTICS (T_J=25°C, unless otherwise specified)

PARAMETER	SYMBOL	TEST CONDITIONS	MIN	TYP	MAX	UNIT
OFF CHARACTERISTICS						
Drain-Source Breakdown Voltage	BV _{DSS}	V _{GS} =0V, I _D =250μA	650			V
Drain-Source Leakage Current	I _{DSS}	V _{DS} =650V, V _{GS} =0V			10	μA
Gate-Source Leakage Current	I _{GSS}	V _{DS} =0V, V _{GS} =±30V			±100	nA
ON CHARACTERISTICS						
Gate Threshold Voltage	V _{GS(TH)}	V _{DS} = V _{GS} , I _D =250μA	2.5		4.5	V
Drain-Source On-State Resistance	R _{DS(ON)}	V _{GS} =10V, I _D =5.5A		0.36	0.43	Ω
DYNAMIC PARAMETERS						
Input Capacitance	C _{ISS}	V _{GS} =0V, V _{DS} =25V, f=1.0MHz		770		pF
Output Capacitance	C _{OSS}			580		pF
Reverse Transfer Capacitance	C _{RSS}			52		pF
SWITCHING PARAMETERS						
Total Gate Charge (Note 1)	Q _G	V _{DS} =520V, V _{GS} =10V, I _D =11A, I _G =1mA (Note 1, 2)		27		nC
Gate-Source Charge	Q _{GS}			5		nC
Gate-Drain Charge	Q _{GD}			8		nC
Turn-ON Delay Time (Note 1)	t _{D(ON)}	V _{DD} =100V, V _{GS} =10V, I _D =11A, R _G =25Ω (Note 1, 2)		11		ns
Turn-ON Rise Time	t _R			23		ns
Turn-OFF Delay Time	t _{D(OFF)}			82		ns
Turn-OFF Fall Time	t _F			47		ns
SOURCE- DRAIN DIODE RATINGS AND CHARACTERISTICS						
Maximum Body-Diode Continuous Current	I _S				11	A
Maximum Body-Diode Pulsed Current	I _{SM}				44	A
Drain-Source Diode Forward Voltage (Note 1)	V _{SD}	I _S =11A, V _{GS} =0V			1.4	V
Reverse Recovery Time (Note 1)	t _{rr}	I _S =11A, V _{GS} =0V		360		ns
Reverse Recovery Charge	Q _{rr}	di/dt=100A/μs		4.6		μC

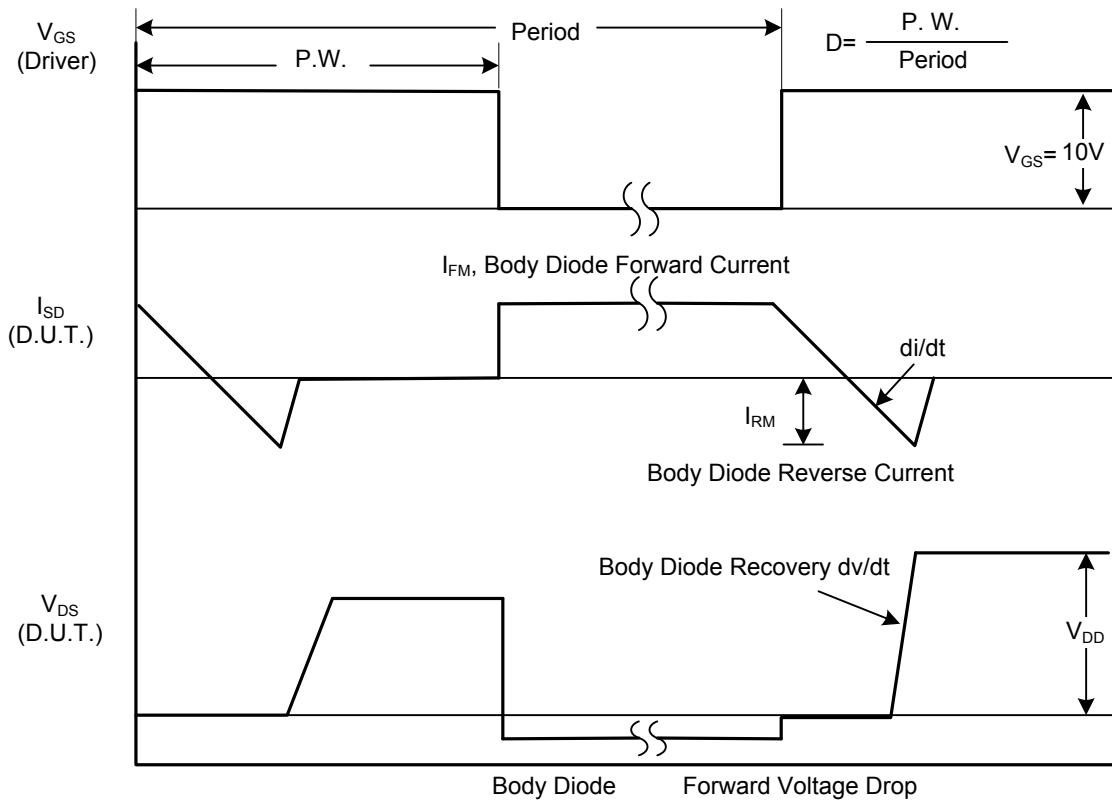
Notes: 1. Pulse Test : Pulse width ≤ 300μs, Duty cycle ≤ 2%

2. Essentially independent of operating temperature

TEST CIRCUITS AND WAVEFORMS

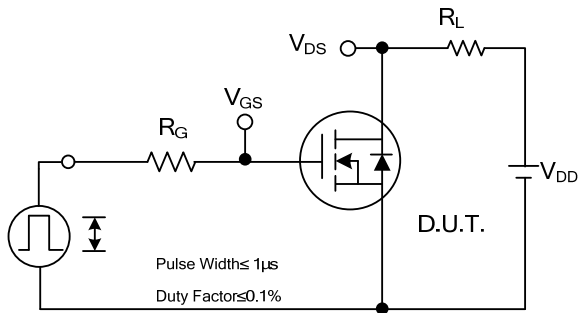


Peak Diode Recovery dv/dt Test Circuit

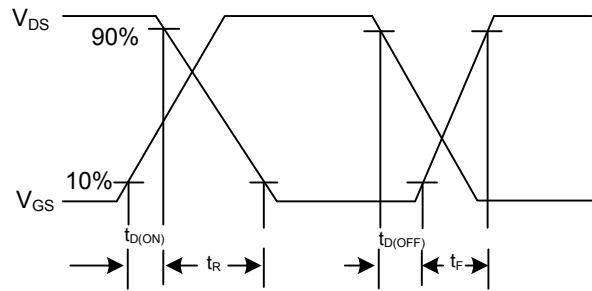


Peak Diode Recovery dv/dt Waveforms

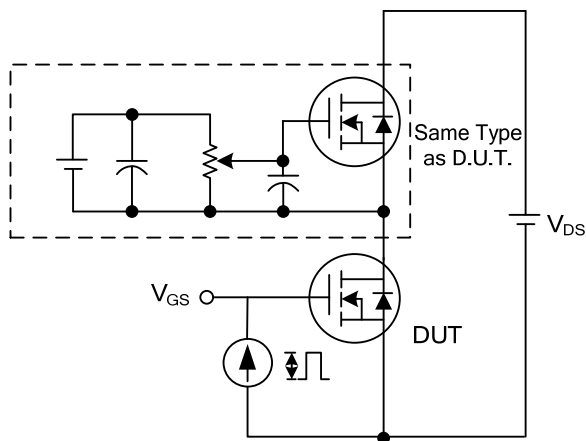
TEST CIRCUITS AND WAVEFORMS



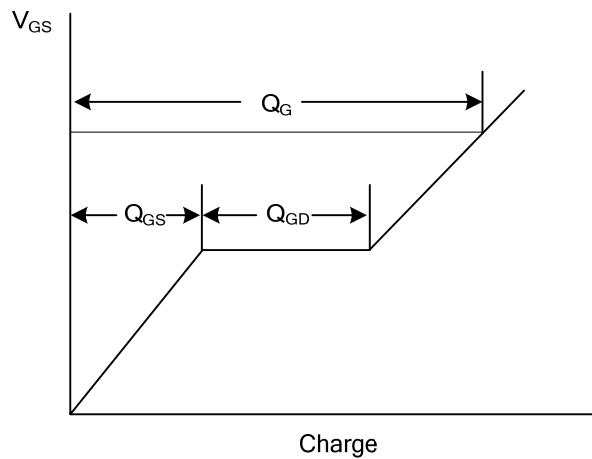
Switching Test Circuit



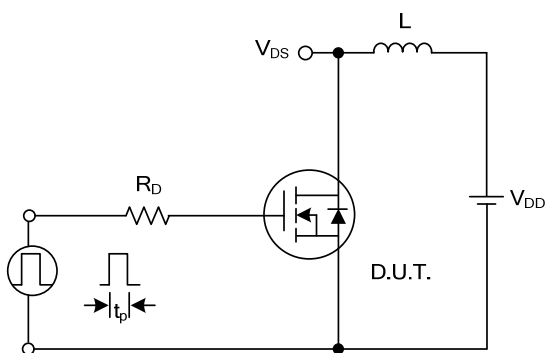
Switching Waveforms



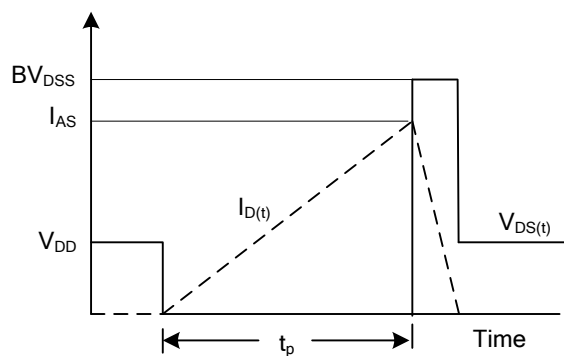
Gate Charge Test Circuit



Gate Charge Waveform

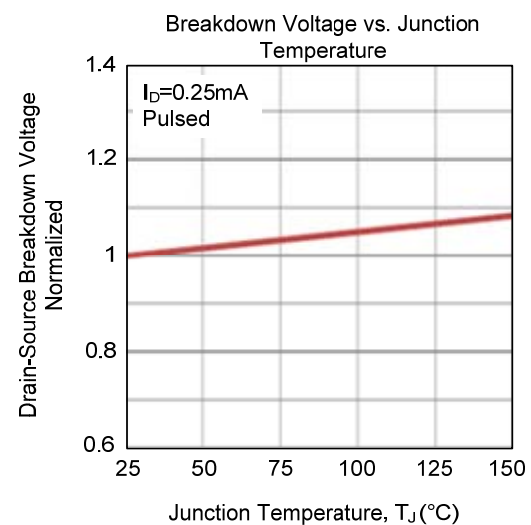
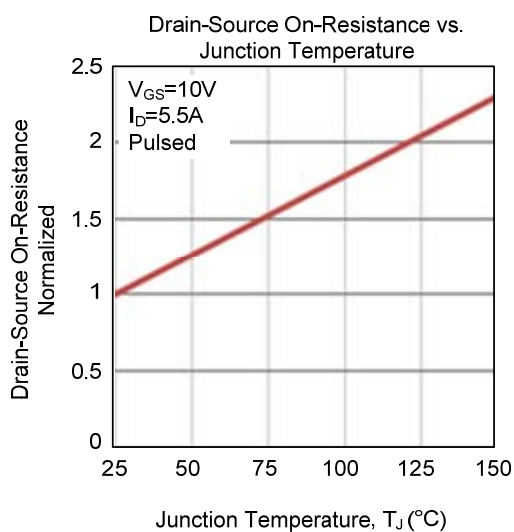
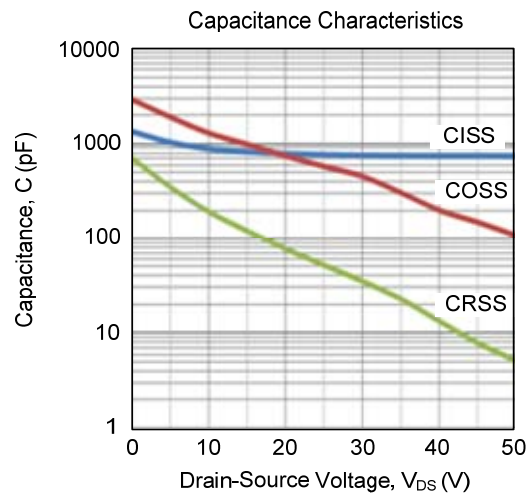
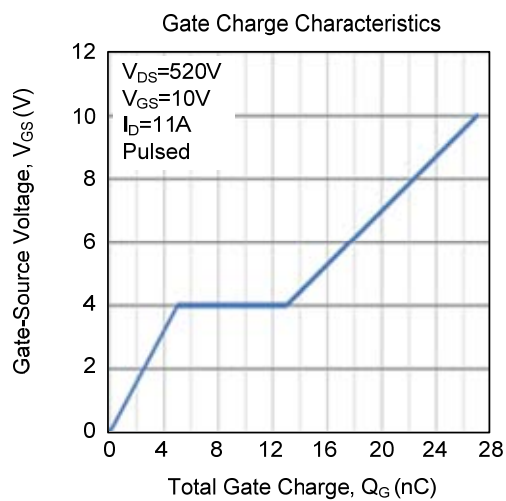
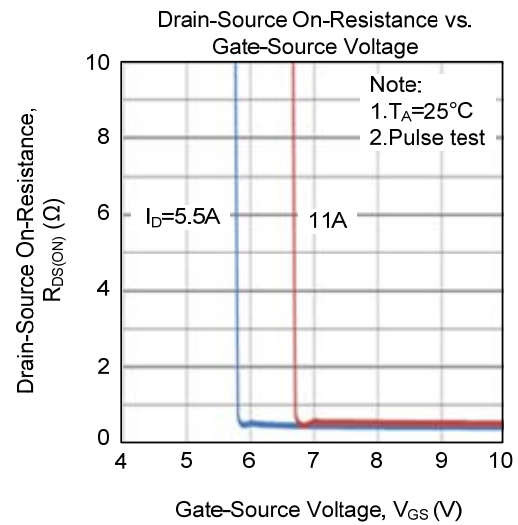
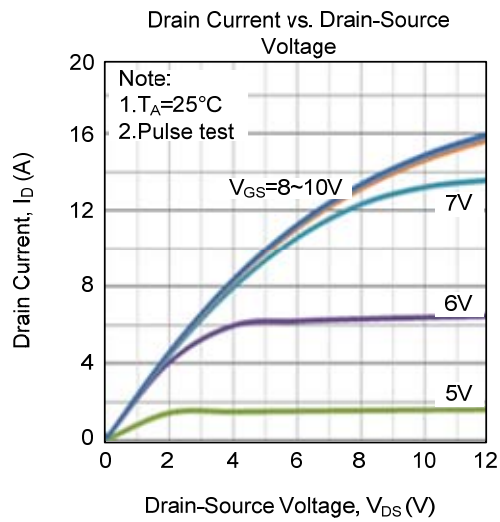


Unclamped Inductive Switching Test Circuit

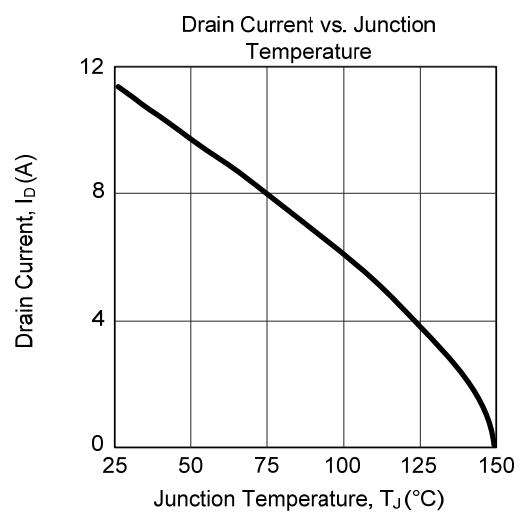
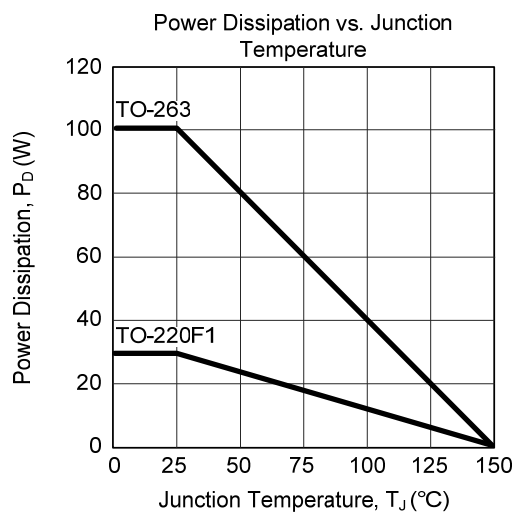
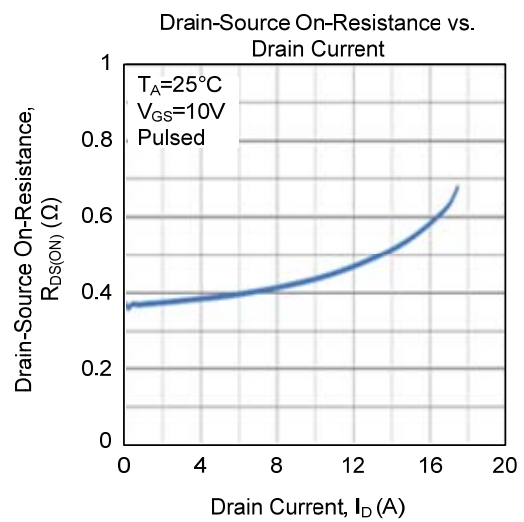
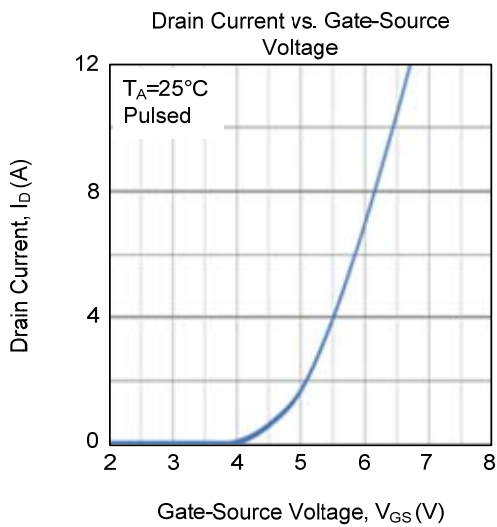
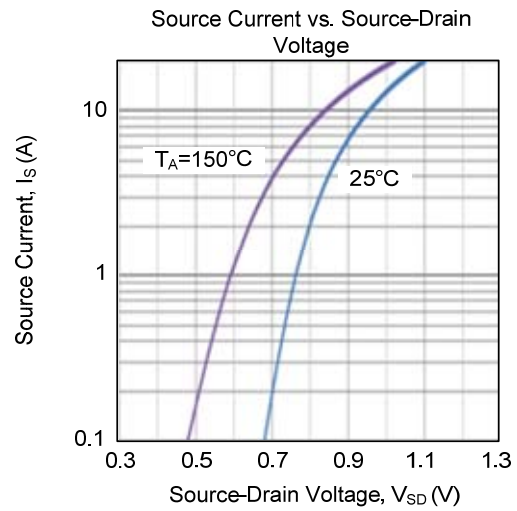
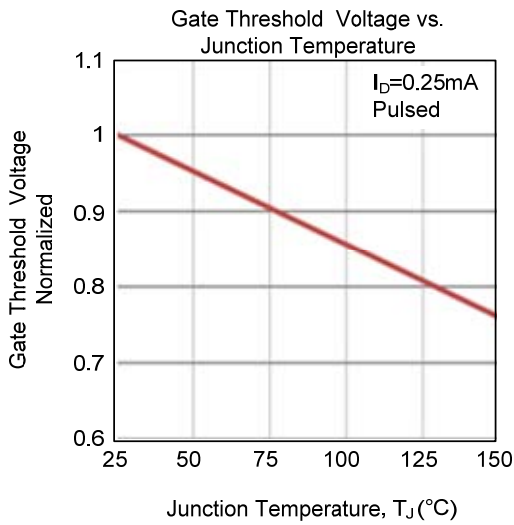


Unclamped Inductive Switching Waveforms

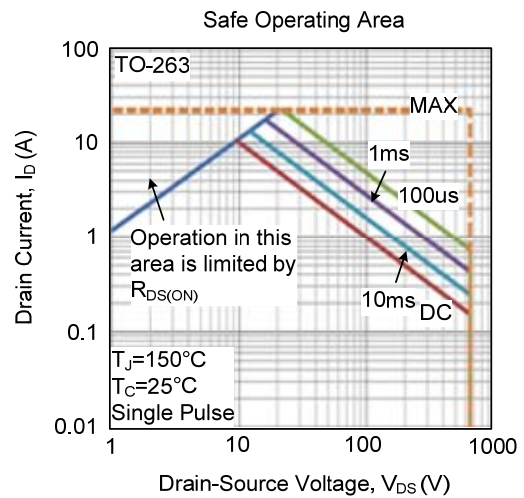
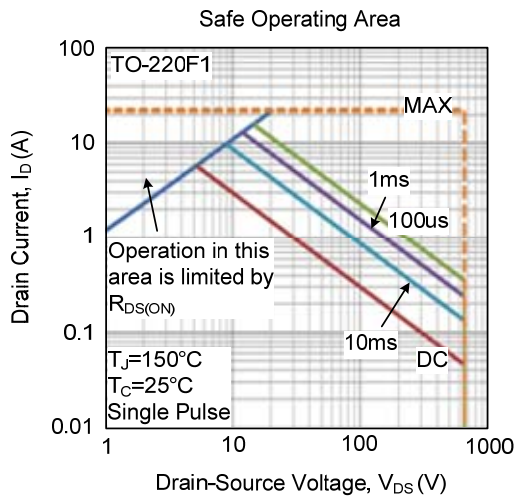
TYPICAL CHARACTERISTICS



TYPICAL CHARACTERISTICS (Cont.)



■ TYPICAL CHARACTERISTICS (Cont.)



UTC assumes no responsibility for equipment failures that result from using products at values that exceed, even momentarily, rated values (such as maximum ratings, operating condition ranges, or other parameters) listed in products specifications of any and all UTC products described or contained herein. UTC products are not designed for use in life support appliances, devices or systems where malfunction of these products can be reasonably expected to result in personal injury. Reproduction in whole or in part is prohibited without the prior written consent of the copyright owner. UTC reserves the right to make changes to information published in this document, including without limitation specifications and product descriptions, at any time and without notice. This document supersedes and replaces all information supplied prior to the publication hereof.

单击下面可查看定价，库存，交付和生命周期等信息

[>>UTC\(友顺\)](#)