



U74HC4052

CMOS IC

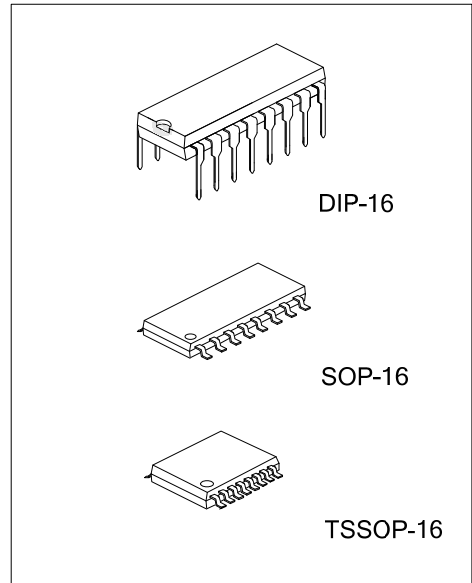
DUAL 4-CHANNEL ANALOG MULTIPLEXER, DEMULTIPLEXER

DESCRIPTION

The **U74HC4052** provides common select logic. Each multiplexer has four independent inputs/outputs and a common input/output.

FEATURES

- * Wide analog input voltage range from -5V to +5V
- * Low on-resistance
- * Logic level translation: to enable 5V logic to communicate with ±5V analog signals
- * Typical "break before make" built in

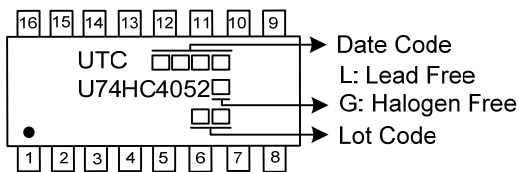


ORDERING INFORMATION

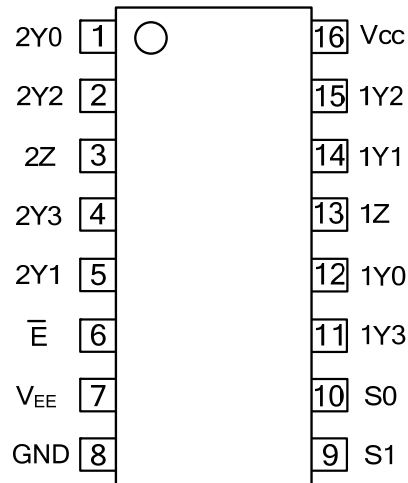
Ordering Number		Package	Packing
Lead Free	Halogen Free		
U74HC4052L-D16-T	U74HC4052G-D16-T	DIP-16	Tube
U74HC4052L-S16-R	U74HC4052G-S16-R	SOP-16	Tape Reel
U74HC4052L-P16-R	U74HC4052G-P16-R	TSSOP-16	Tape Reel

<p>U74HC4052G-D16-T</p> <p>(1)Packing Type (2)Package Type (3)Green Package</p>	<p>(1) T: Tube, R: Tape Reel (2) D16: DIP-16, S16: SOP-16, P16: TSSOP-16 (3) G: Halogen Free and Lead Free, L: Lead Free</p>
---	--

MARKING



■ PIN CONFIGURATION

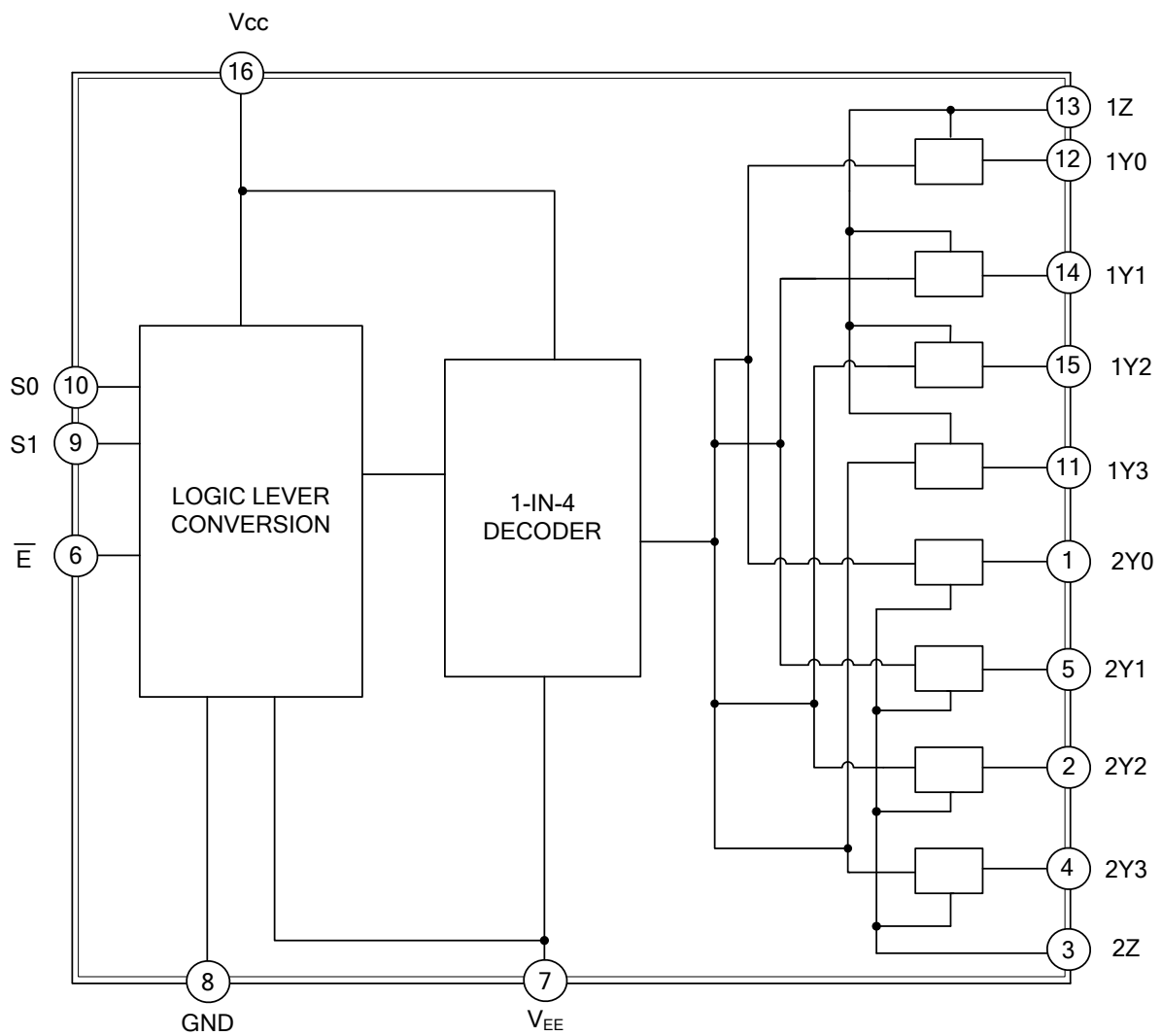


■ FUNCTION TABLE (each gate)

INPUT(E)	INPUT(S1)	INPUT(S0)	CHANNEL BETWEEN
L	L	L	nY0 and nZ
L	L	H	nY1 and nZ
L	H	L	nY2 and nZ
L	H	H	nY3 and nZ
H	X	X	none

Note: H=High voltage level; L=Low voltage level; X=don't care

■ FUNCTIONAL DIAGRAM



■ ABSOLUTE MAXIMUM RATINGS

PARAMETER		SYMBOL	RATINGS	UNIT
Supply Voltage		V_{CC}	-0.5~11	V
V_{CC} or GND Current		I_{CC}	± 50	mA
V_{EE} Current		I_{EE}	± 20	mA
Input Clamp Current		I_{IK}	± 20	mA
Switch Diode Current		I_{SK}	± 20	mA
Switch Current		I_S	± 25	mA
Power Dissipation	DIP-16	P_D	750	mW
	SOP-16		500	mW
	TSSOP-16		450	mW
Junction Temperature		T_J	+150	$^{\circ}C$
Storage Temperature		T_{STG}	-65 ~ +150	$^{\circ}C$

Note: Absolute maximum ratings are those values beyond which the device could be permanently damaged.

Absolute maximum ratings are stress ratings only and functional device operation is not implied.

■ RECOMMENDED OPERATING CONDITIONS

PARAMETER	SYMBOL	CONDITIONS	MIN	TYP	MAX	UNIT
Supply Voltage	V_{CC}	V_{CC} -GND	2.0	5.0	10.0	V
		V_{CC} - V_{EE}	2.0	5.0	10.0	V
Input Voltage	V_{IN}		GND		V_{CC}	V
Switch voltage	V_S		V_{EE}		V_{CC}	V
Input Transition Rise or Fall Rate	t_R, t_F	$V_{CC}=2.0V$		6.0	1000	ns
		$V_{CC}=4.5V$		6.0	500	ns
		$V_{CC}=6.0V$		6.0	400	ns
		$V_{CC}=10.0V$		6.0	250	ns
Operating Temperature	T_A		-40		+125	$^{\circ}C$

■ STATIC CHARACTERISTICS ($T_A=25^{\circ}C$)

PARAMETER	SYMBOL	TEST CONDITIONS	MIN	TYP	MAX	UNIT	
High-Level Input Voltage	V_{IH}	$V_{CC}=2.0V$	1.5	1.2		V	
		$V_{CC}=4.5V$	3.15	2.4		V	
		$V_{CC}=6.0V$	4.2	3.2		V	
		$V_{CC}=9.0V$	6.3	4.7		V	
Low-Level Input Voltage	V_{IL}	$V_{CC}=2.0V$		0.8	0.5	V	
		$V_{CC}=4.5V$		2.1	1.35	V	
		$V_{CC}=6.0V$		2.8	1.8	V	
		$V_{CC}=9.0V$		4.3	2.7	V	
Analog switch OFF-state current	$I_{S(OFF)}$	$V_{CC}=10V, V_{EE}=0V, V_{IN}=V_{IH}$ or V_{IL} $ V_S =V_{CC}-V_{EE}$	per channel			± 1	μA
			all channels			± 2	μA
Analog switch ON-state current	$I_{S(ON)}$	$V_{CC}=10V, V_{EE}=0V, V_{IN}=V_{IH}$ or V_{IL} $ V_S =V_{CC}-V_{EE}$				± 2.0	μA
Input Leakage Current	$I_{I(LEAK)}$	$V_{CC}=6V, V_{EE}=0V, V_{IN}=V_{CC}$ or GND				± 1.0	μA
		$V_{CC}=10V, V_{EE}=0V, V_{IN}=V_{CC}$ or GND				± 2.0	μA
Quiescent Supply Current	I_Q	$V_{IN}=V_{CC}$ or GND $V_{IS}=V_{EE}$ or V_{CC} $V_{OS}=V_{CC}$ or V_{EE}	$V_{CC}=6V, V_{EE}=0V$			80	μA
			$V_{CC}=10V, V_{EE}=0V$			160	μA

■ STATIC CHARACTERISTICS(Cont.) (T_A=25°C)

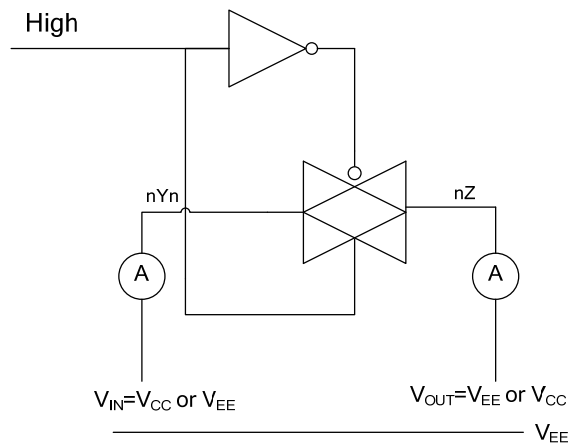
PARAMETER	SYMBOL	TEST CONDITIONS	MIN	TYP	MAX	UNIT	
ON-Resistance	PEAK	R _{ON(PEAK)}	V _{CC} =2V, V _{EE} =0V, I _S =100uA, V _{IS} =V _{CC} to V _{EE} , V _{IN} =V _{IH} or V _{IL} ,			Ω	
			V _{CC} =4.5V, V _{EE} =0V, I _S =1mA, V _{IS} =V _{CC} to V _{EE} , V _{IN} =V _{IH} or V _{IL} ,		100	225	Ω
			V _{CC} =6V, V _{EE} =0V, I _S =1mA, V _{IS} =V _{CC} to V _{EE} , V _{IN} =V _{IH} or V _{IL}		90	200	Ω
			V _{CC} =4.5V, V _{EE} =-4.5V, I _S =1mA, V _{IS} =V _{CC} to V _{EE} , V _{IN} =V _{IH} or V _{IL}		70	165	Ω
	RAIL	R _{ON(RAIL)}	V _{CC} =2V, V _{EE} =0V, I _S =100uA, V _{IS} =V _{EE} , V _{IN} =V _{IH} or V _{IL} ,		150		Ω
			V _{CC} =4.5V, V _{EE} =0V, I _S =1mA, V _{IS} =V _{EE} , V _{IN} =V _{IH} or V _{IL} ,		80	175	Ω
			V _{CC} =6V, V _{EE} =0V, I _S =1mA, V _{IS} =V _{EE} , V _{IN} =V _{IH} or V _{IL}		70	150	Ω
			V _{CC} =4.5V, V _{EE} =-4.5V, I _S =1mA, V _{IS} =V _{EE} , V _{IN} =V _{IH} or V _{IL}		60	130	Ω
			V _{CC} =2V, V _{EE} =0V, I _S =100uA, V _{IS} =V _{CC} , V _{IN} =V _{IH} or V _{IL} ,		150		Ω
			V _{CC} =4.5V, V _{EE} =0V, I _S =1mA, V _{IS} =V _{CC} , V _{IN} =V _{IH} or V _{IL} ,		90	200	Ω
			V _{CC} =6V, V _{EE} =0V, I _S =1mA, V _{IS} =V _{CC} , V _{IN} =V _{IH} or V _{IL}		80	175	Ω
			V _{CC} =4.5V, V _{EE} =-4.5V, I _S =1mA, V _{IS} =V _{CC} , V _{IN} =V _{IH} or V _{IL}		65	150	Ω
Maximum On-Resistance Difference Between Any Two Channels	ΔR _{ON}	V _{CC} =2V, V _{EE} =0V, V _{IS} =V _{CC} to V _{EE} , V _{IN} =V _{IH} or V _{IL} ,				Ω	
		V _{CC} =4.5V, V _{EE} =0V, V _{IS} =V _{CC} to V _{EE} , V _{IN} =V _{IH} or V _{IL} ,		9		Ω	
		V _{CC} =6V, V _{EE} =0V, V _{IS} =V _{CC} to V _{EE} , V _{IN} =V _{IH} or V _{IL}		8		Ω	
		V _{CC} =4.5V, V _{EE} =-4.5V, V _{IS} =V _{CC} to V _{EE} , V _{IN} =V _{IH} or V _{IL}		6		Ω	

■ DYNAMIC CHARACTERISTICS (T_A=25°C, GND=0V; t_R=t_F=6ns; C_L=50pF)

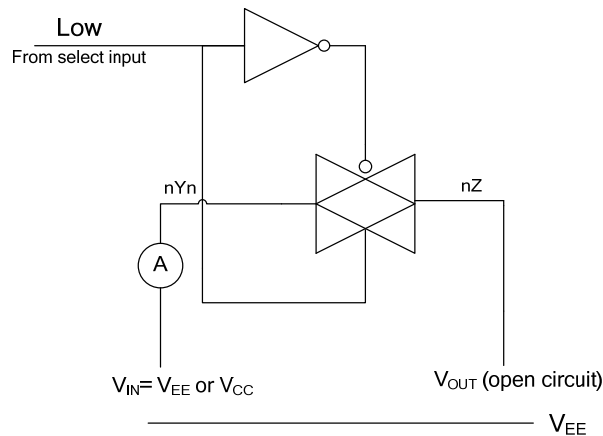
PARAMETER	SYMBOL	TEST CONDITIONS	MIN	TYP	MAX	UNIT
Propagation Delay From V _{IS} to V _{OS}	t _{PHL} /t _{PLH}	V _{CC} =2V, V _{EE} =0V, R _L =∞		14	75	ns
		V _{CC} =4.5V, V _{EE} =0V, R _L =∞		5	15	ns
		V _{CC} =6V, V _{EE} =0V, R _L =∞		4	13	ns
		V _{CC} =4.5V, V _{EE} =-4.5V, R _L =∞		4	10	ns
Turn-ON Time \bar{E} Sn to V _{OS}	t _{PZH} /t _{PZL}	V _{CC} =2V, V _{EE} =0V, R _L =∞		105	405	ns
		V _{CC} =4.5V, V _{EE} =0V, R _L =∞		38	81	ns
		V _{CC} =6V, V _{EE} =0V, R _L =∞		30	69	ns
		V _{CC} =4.5V, V _{EE} =-4.5V, R _L =∞		26	58	ns
Turn-OFF Time \bar{E} Sn to V _{OS}	t _{PHZ} /t _{PLZ}	V _{CC} =2V, V _{EE} =0V, R _L =1k		74	315	ns
		V _{CC} =4.5V, V _{EE} =0V, R _L =1k		27	63	ns
		V _{CC} =6V, V _{EE} =0V, R _L =1k		22	54	ns
		V _{CC} =4.5V, V _{EE} =-4.5V, R _L =1k		22	48	ns

■ TEST CIRCUIT AND WAVEFORMS

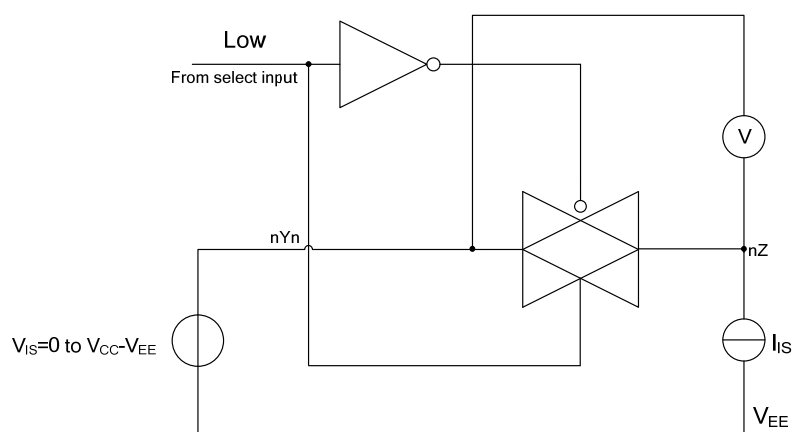
Test circuit for measuring OFF-state current



Test circuit for measuring ON-state current

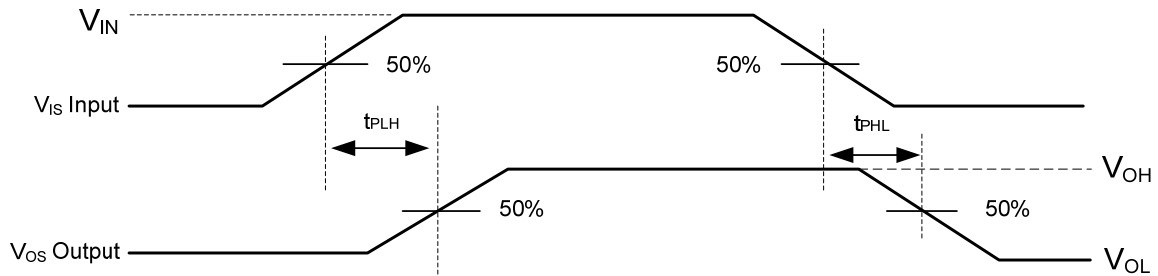


Test circuit for measuring RON

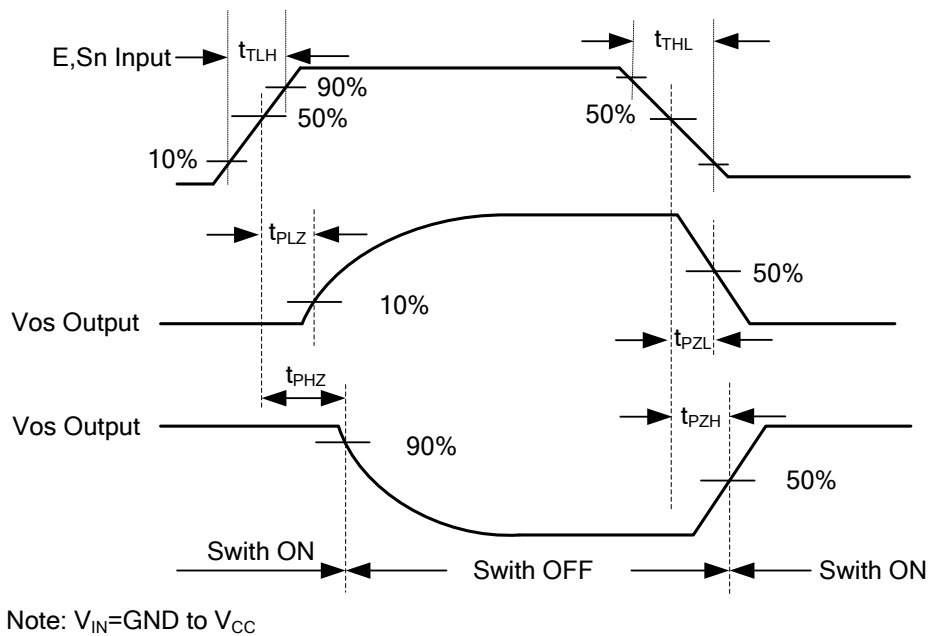


■ TEST CIRCUIT AND WAVEFORMS(Cont.)

Waveforms showing the Input (V_{IS}) to Output (V_{OS}) propagation delays

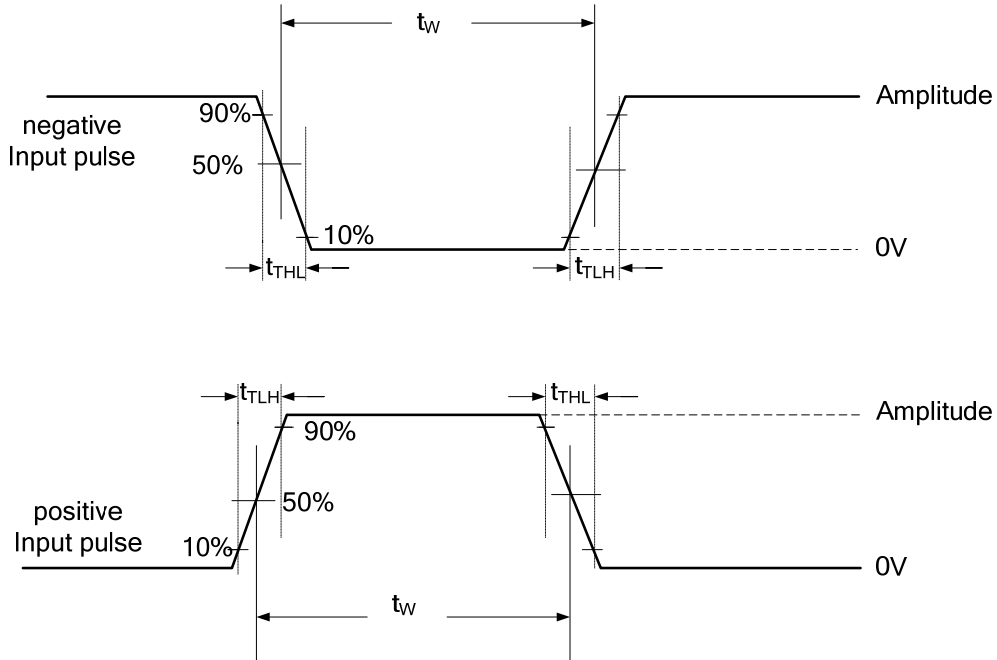


Waveforms showing the turn-on and turn-off times.

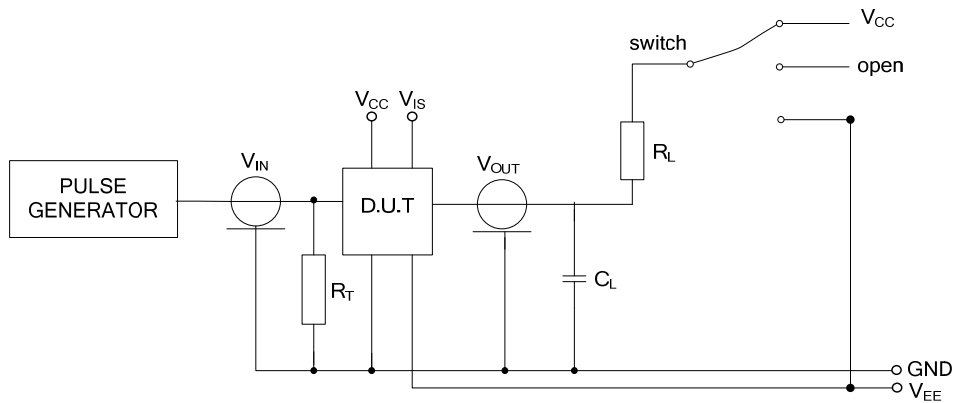


■ TEST CIRCUIT AND WAVEFORMS(Cont.)

Input pulse definitions



Test circuit for measuring AC performance.



TEST	SWITCH	V _{IS}
t _{PZH}	V _{EE}	V _{CC}
t _{PZL}	V _{CC}	V _{EE}
t _{PHZ}	V _{EE}	V _{CC}
t _{PLZ}	V _{CC}	V _{EE}
other	open	pulse

NOTE: Definitions for test circuit:

R_L = load resistance

C_L = load capacitance including jig and probe capacitance.

R_T = termination resistance should be equal to the output impedance Z_O of the pulse generator.

t_{THL}=t_{TLH}=6 ns; when measuring f_{MAX}, there is no constraint to t_{THL} and t_{TLH} with 50% duty factor.

UTC assumes no responsibility for equipment failures that result from using products at values that exceed, even momentarily, rated values (such as maximum ratings, operating condition ranges, or other parameters) listed in products specifications of any and all UTC products described or contained herein. UTC products are not designed for use in life support appliances, devices or systems where malfunction of these products can be reasonably expected to result in personal injury. Reproduction in whole or in part is prohibited without the prior written consent of the copyright owner. UTC reserves the right to make changes to information published in this document, including without limitation specifications and product descriptions, at any time and without notice. This document supersedes and replaces all information supplied prior to the publication hereof.

单击下面可查看定价，库存，交付和生命周期等信息

[>>UTC\(友顺\)](#)