



# LD1117/A

## LINEAR INTEGRATED CIRCUIT

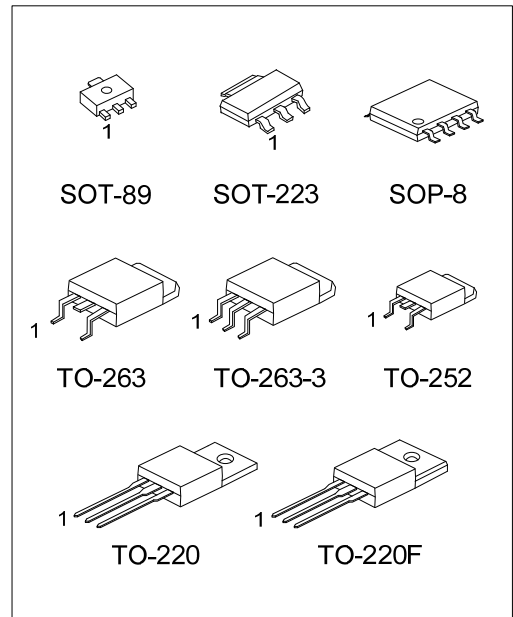
### LOW DROP FIXED AND ADJUSTABLE POSITIVE VOLTAGE REGULATORS

■ DESCRIPTION

The UTC **LD1117/A** is a low dropout, 3-terminal positive voltage regulator designed to provide output current up to 800mA/1A, There are adjustable version ( $V_{REF}=1.25V$ ) and various fixed versions.

■ FEATURES

- \* Low dropout voltage
- \* Suitable for SCSI-2 active termination if  $V_{OUT}$  set to 2.85V
- \* Output current up to 0.8A for 1117 and 1.0A for 1117A
- \* Built-in current limit and over temperature protection
- \* Available in  $\pm 1\%$ (at 25°C) and 2% in all temperature range
- \* Low current consumption
- \* Support MLCC



Lead-free: LD1117L-xx / LD1117AL-xx  
 Halogen-free: LD1117G-xx / LD1117AG-xx

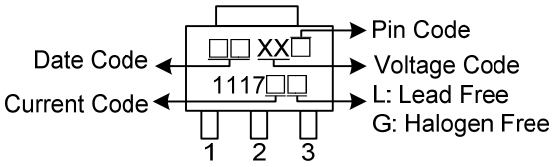
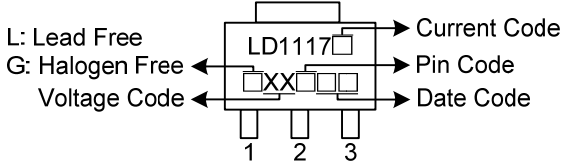
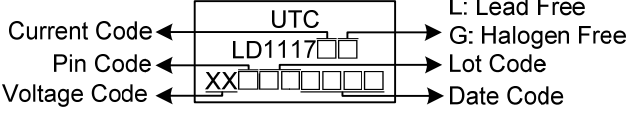
■ ORDERING INFORMATION

Ordering Number			Package	② Pin Assignment	Packing
Normal	Lead Free	Halogen Free			
LD1117①-xx-AA3-②-③	LD1117①L-xx-AA3-②-③	LD1117①G-xx-AA3-②-③	SOT-223	A: GOI B: OGI C: GIO D: IGO	R: Tape Reel T: Tube
LD1117①-xx-AB3-②-③	LD1117①L-xx-AB3-②-③	LD1117①G-xx-AB3-②-③	SOT-89		
LD1117①-xx-TA3-②-③	LD1117①L-xx-TA3-②-③	LD1117①G-xx-TA3-②-③	TO-220		
LD1117①-xx-TF3-②-③	LD1117①L-xx-TF3-②-③	LD1117①G-xx-TF3-②-③	TO-220F		
LD1117①-xx-TN3-②-③	LD1117①L-xx-TN3-②-③	LD1117①G-xx-TN3-②-③	TO-252		
LD1117①-xx-TQ2-②-③	LD1117①L-xx-TQ2-②-③	LD1117①G-xx-TQ2-②-③	TO-263		
LD1117①-xx-TQ3-②-③	LD1117①L-xx-TQ3-②-③	LD1117①G-xx-TQ3-②-③	TO-263-3		
LD1117①-xx-S08-②-③	LD1117①L-xx-S08-②-③	LD1117①G-xx-S08-②-③	SOP-8		

Note: Pin Assignment: I:V<sub>IN</sub> O:V<sub>OUT</sub> G:GND/ADJ

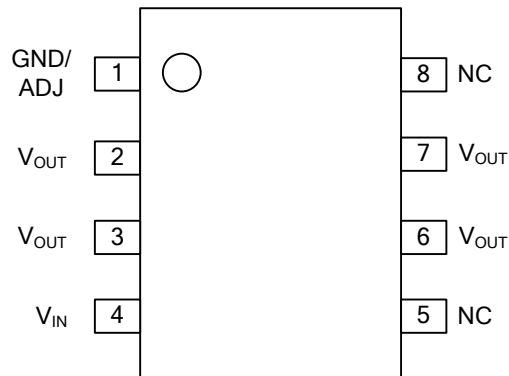
<p>LD1117①L-xx-AA3-②-③</p> <p>(1)Packing Type                  (2)Pin Assignment                  (3)Package Type                  (4)Output Voltage Code                  (5)Lead Plating                  (6)Current Code</p>	<p>(1) R: Tape Reel, T: Tube                  (2) refer to Pin Assignment                  (3) AA3: SOT-223, AB3: SOT-89, TA3:TO-220, TF3: TO-220F, TN3: TO-252, TQ2: TO-263, TQ3: TO-263-3, S08: SOT-8                  (4) xx: refer to Marking Information                  (5) G: Halogen Free, L: Lead Free, Blank: Pb/Sn                  (6) Blank: 800mA, A: 1A</p>
---	---

### MARKING INFORMATION

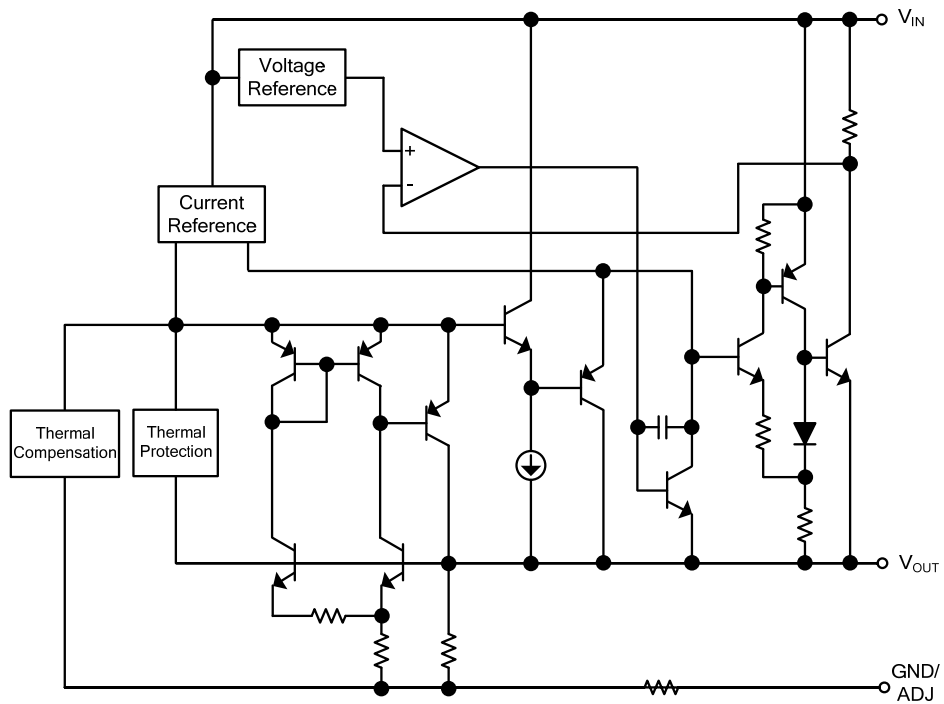
PACKAGE	VOLTAGE CODE	MARKING
SOT-89		
SOT-223	12 :1.2V 15 :1.5V 18 :1.8V 25 :2.5V 2J :2.85V 30 :3.0V 33 :3.3V 36 :3.6V 50 :5.0V AD :ADJ	
TO-220 TO-220F TO-252 TO-263 TO-263-3		

Note: Current code: Blank: 0.8A A: 1A

### PIN CONFIGURATION of SOP-8



## ■ BLOCK DIAGRAM



■ ABSOLUTE MAXIMUM RATINGS ( $T_a=25^{\circ}\text{C}$ )

PARAMETER	SYMBOL	RATINGS	UNIT
DC Input Voltage	$V_{IN}$	18	V
Power Dissipation	$P_D$	Internally limited	
Junction Temperature	$T_J$	+150	$^{\circ}\text{C}$
Storage temperature	$T_{STG}$	-65 ~ +150	$^{\circ}\text{C}$

Note Absolute maximum ratings are those values beyond which the device could be permanently damaged.

Absolute maximum ratings are stress ratings only and functional device operation is not implied.

■ RECOMMENDED OPERATING RATINGS

PARAMETER	SYMBOL	RATINGS	UNIT
Input Voltage	$V_{IN}$	15	V
Operating Junction Temperature Range	$T_J$	0 ~ +125	$^{\circ}\text{C}$

■ THERMAL DATA

PARAMETER		SYMBOL	RATINGS	UNIT
Junction to Ambient	SOT-223	$\theta_{JA}$	165	$^{\circ}\text{C/W}$
	SOT-89		180	$^{\circ}\text{C/W}$
	SOP-8		150	$^{\circ}\text{C/W}$
	TO-252		112	$^{\circ}\text{C/W}$
	TO-220		54	$^{\circ}\text{C/W}$
	TO-263		64	$^{\circ}\text{C/W}$
Junction to Case	SOT-223	$\theta_{JC}$	15	$^{\circ}\text{C/W}$
	SOT-89		50	$^{\circ}\text{C/W}$
	SOP-8		20	$^{\circ}\text{C/W}$
	TO-252		12	$^{\circ}\text{C/W}$
	TO-220		4	$^{\circ}\text{C/W}$
	TO-263		4	$^{\circ}\text{C/W}$

### ■ ELECTRICAL CHARACTERISTICS

( $T_a=25^\circ\text{C}$ , refer to the test circuits,  $T_J=0$  to  $125^\circ\text{C}$ ,  $C_o=10\mu\text{F}$  unless otherwise specified)

#### For LD1117/A-1.2

PARAMETER	SYMBOL	TEST CONDITIONS	MIN.	TYP.	MAX.	UNIT
Output Voltage	$V_{OUT}$	$V_{IN}=3.2\text{V}$ , $I_{OUT}=10\text{mA}$ , $T_J=25^\circ\text{C}$	1.176	1.200	1.224	V
Output Voltage	$V_{OUT}$	$V_{IN}=2.7$ to $8\text{V}$ LD1117 : $I_{OUT}=10\sim 800\text{mA}$ LD1117A : $I_{OUT}=10\sim 1000\text{mA}$	1.176	1.200	1.224	V
Line Regulation	$\Delta V_{OUT}$	$V_{IN}=2.7$ to $8\text{V}$ , $I_{OUT}=10\text{mA}$		1	6	mV
Load Regulation	$\Delta V_{OUT}$	$V_{IN}=2.7\text{V}$ LD1117 : $I_{OUT}=10\sim 800\text{mA}$ LD1117A : $I_{OUT}=10\sim 1000\text{mA}$		1	10	mV
Temperature stability	$\Delta V_{OUT}$			0.5		%
Long Term Stability	$\Delta V_{OUT}$	1000 hrs, $T_J=125^\circ\text{C}$		0.3		%
Operating Input Voltage	$V_{IN}$	$I_{OUT}=100\text{mA}$			15	V
Quiescent Current	$I_Q$	$V_{IN}\leq 10\text{V}$		5	10	mA
Current Limit	$I_{LIMIT}$	$V_{IN}=6.2\text{V}$ , $T_J=25^\circ\text{C}$	LD1117	800		mA
			LD1117A	1000		
Minimum Load Current	$I_{O(MIN)}$	$V_{IN}=15\text{V}$		2	5	mA
Output Noise Voltage	eN	$B=10\text{Hz}$ to $10\text{KHz}$ , $T_J=25^\circ\text{C}$		100		$\mu\text{V}$
Supply Voltage Rejection	SVR	$I_{OUT}=40\text{mA}$ , $f=120\text{Hz}$ , $T_J=25^\circ\text{C}$ , $V_{IN}=4.2\text{V}$ , $V_{RIPPLE}=1\text{Vpp}$	60	75		dB
Dropout Voltage	$V_D$	$I_{OUT}=100\text{mA}$		1.00	1.10	V
		$I_{OUT}=500\text{mA}$		1.15	1.25	
		$I_{OUT}=800\text{mA}$		1.20	1.30	
		$I_{OUT}=1\text{A}$		1.20	1.30	
Thermal Regulation		$T_a=25^\circ\text{C}$ , 30ms Pulse		0.01	0.10	%/W

#### For LD1117/A-1.5

PARAMETER	SYMBOL	TEST CONDITIONS	MIN	TYP	MAX	UNIT
Output Voltage	$V_{OUT}$	$V_{IN}=3.5\text{V}$ , $I_{OUT}=10\text{mA}$ , $T_J=25^\circ\text{C}$	1.470	1.500	1.530	V
Output Voltage	$V_{OUT}$	$V_{IN}=3$ to $8\text{V}$ LD1117 : $I_{OUT}=0\sim 800\text{mA}$ LD1117A : $I_{OUT}=0\sim 1000\text{mA}$	1.470	1.500	1.530	V
Line Regulation	$\Delta V_{OUT}$	$V_{IN}=3$ to $8\text{V}$ , $I_{OUT}=0\text{mA}$		1	6	mV
Load Regulation	$\Delta V_{OUT}$	$V_{IN}=3\text{V}$ LD1117 : $I_{OUT}=0\sim 800\text{mA}$ LD1117A : $I_{OUT}=0\sim 1000\text{mA}$		1	10	mV
Temperature stability	$\Delta V_{OUT}$			0.5		%
Long Term Stability	$\Delta V_{OUT}$	1000 hrs, $T_J=125^\circ\text{C}$		0.3		%
Operating Input Voltage	$V_{IN}$	$I_{OUT}=100\text{mA}$			15	V
Quiescent Current	$I_Q$	$V_{IN}\leq 10\text{V}$		5	10	mA
Current Limit	$I_{LIMIT}$	$V_{IN}=6.5\text{V}$ , $T_J=25^\circ\text{C}$	LD1117	800		mA
			LD1117A	1000		
Output Noise Voltage	eN	$B=10\text{Hz}$ to $10\text{KHz}$ , $T_J=25^\circ\text{C}$		100		$\mu\text{V}$
Supply Voltage Rejection	SVR	$I_{OUT}=40\text{mA}$ , $f=120\text{Hz}$ , $T_J=25^\circ\text{C}$ , $V_{IN}=4.5\text{V}$ , $V_{RIPPLE}=1\text{Vpp}$	60	75		dB
Dropout Voltage	$V_D$	$I_{OUT}=100\text{mA}$		1.00	1.10	V
		$I_{OUT}=500\text{mA}$		1.15	1.25	
		$I_{OUT}=800\text{mA}$		1.20	1.30	
		$I_{OUT}=1\text{A}$		1.20	1.30	
Thermal Regulation		$T_a=25^\circ\text{C}$ , 30ms Pulse		0.01	0.10	%/W

■ ELECTRICAL CHARACTERISTICS(Cont.)

For LD1117/A-1.8

PARAMETER	SYMBOL	TEST CONDITIONS	MIN.	TYP.	MAX.	UNIT	
Output Voltage	$V_{OUT}$	$V_{IN}=3.8V, I_{OUT}=10mA, T_J=25^{\circ}C$	1.764	1.800	1.836	V	
Output Voltage	$V_{OUT}$	$V_{IN}=3.3$ to 8V LD1117 : $I_{OUT}=0\sim 800mA$ LD1117A : $I_{OUT}=0\sim 1000mA$	1.764	1.800	1.836	V	
Line Regulation	$\Delta V_{OUT}$	$V_{IN}=3.3$ to 8V, $I_{OUT}=0mA$		1	6	mV	
Load Regulation	$\Delta V_{OUT}$	$V_{IN}=3.3V$ LD1117 : $I_{OUT}=0\sim 800mA$ LD1117A : $I_{OUT}=0\sim 1000mA$		1	10	mV	
Temperature stability	$\Delta V_{OUT}$			0.5		%	
Long Term Stability	$\Delta V_{OUT}$	1000 hrs, $T_J=125^{\circ}C$		0.3		%	
Operating Input Voltage	$V_{IN}$	$I_{OUT}=100mA$			15	V	
Quiescent Current	$I_Q$	$V_{IN}\leq 10V$		5	10	mA	
Current Limit	$I_{LIMIT}$	$V_{IN}=6.8V, T_J=25^{\circ}C$	LD1117	800		mA	
			LD1117A	1000			
Output Noise Voltage	eN	B=10Hz to 10KHz, $T_J=25^{\circ}C$		100		$\mu V$	
Supply Voltage Rejection	SVR	$I_{OUT}=40mA, f=120Hz, T_J=25^{\circ}C,$ $V_{IN}=5.5V, V_{RIPPLE}=1V_{pp}$	60	75		dB	
Dropout Voltage	$V_D$	$I_{OUT}=100mA$		1.00	1.10	V	
			$I_{OUT}=500mA$		1.15		1.25
			$I_{OUT}=800mA$		1.20		1.30
			$I_{OUT}=1A$		1.20		1.30
Thermal Regulation		$T_a=25^{\circ}C, 30ms$ Pulse		0.01	0.10	%/W	

For LD1117/A-2.5

PARAMETER	SYMBOL	TEST CONDITIONS	MIN.	TYP.	MAX.	UNIT	
Output Voltage	$V_{OUT}$	$V_{IN}=4.5V, I_{OUT}=10mA, T_J=25^{\circ}C$	2.450	2.500	2.550	V	
Output Voltage	$V_{OUT}$	$V_{IN}=3.9$ to 10V LD1117 : $I_{OUT}=0\sim 800mA$ LD1117A : $I_{OUT}=0\sim 1000mA$	2.450	2.500	2.550	V	
Line Regulation	$\Delta V_{OUT}$	$V_{IN}=3.9$ to 10V, $I_{OUT}=0mA$		1	6	mV	
Load Regulation	$\Delta V_{OUT}$	$V_{IN}=3.9V$ LD1117 : $I_{OUT}=0\sim 800mA$ LD1117A : $I_{OUT}=0\sim 1000mA$		1	10	mV	
Temperature stability	$\Delta V_{OUT}$			0.5		%	
Long Term Stability	$\Delta V_{OUT}$	1000 hrs, $T_J=125^{\circ}C$		0.3		%	
Operating Input Voltage	$V_{IN}$	$I_{OUT}=100mA$			15	V	
Quiescent Current	$I_Q$	$V_{IN}\leq 10V$		5	10	mA	
Current Limit	$I_{LIMIT}$	$V_{IN}=7.5V, T_J=25^{\circ}C$	LD1117	800		mA	
			LD1117A	1000			
Output Noise Voltage	eN	B=10Hz to 10KHz, $T_J=25^{\circ}C$		100		$\mu V$	
Supply Voltage Rejection	SVR	$I_{OUT}=40mA, f=120Hz, T_J=25^{\circ}C,$ $V_{IN}=5.5V, V_{RIPPLE}=1V_{pp}$	60	75		dB	
Dropout Voltage	$V_D$	$I_{OUT}=100mA$		1.00	1.10	V	
			$I_{OUT}=500mA$		1.15		1.25
			$I_{OUT}=800mA$		1.20		1.30
			$I_{OUT}=1A$		1.20		1.30
Thermal Regulation		$T_a=25^{\circ}C, 30ms$ Pulse		0.01	0.10	%/W	

■ ELECTRICAL CHARACTERISTICS(Cont.)

For LD1117/A-2.85

PARAMETER	SYMBOL	TEST CONDITIONS	MIN	TYP	MAX	UNIT	
Output Voltage	$V_{OUT}$	$V_{IN}=4.85V, I_{OUT}=10mA, T_J=25^{\circ}C$	2.793	2.850	2.907	V	
Output Voltage	$V_{OUT}$	$V_{IN}=4.25$ to 10V LD1117 : $I_{OUT}=0\sim 800mA$ LD1117A : $I_{OUT}=0\sim 1000mA$	2.793	2.850	2.907	V	
Line Regulation	$\Delta V_{OUT}$	$V_{IN}=4.25$ to 10V, $I_{OUT}=0mA$		1	6	mV	
Load Regulation	$\Delta V_{OUT}$	$V_{IN}=4.25V$ LD1117 : $I_{OUT}=0\sim 800mA$ LD1117A : $I_{OUT}=0\sim 1000mA$		1	10	mV	
Temperature stability	$\Delta V_{OUT}$			0.5		%	
Long Term Stability	$\Delta V_{OUT}$	1000 hrs, $T_J=125^{\circ}C$		0.3		%	
Operating Input Voltage	$V_{IN}$	$I_{OUT}=100mA$			15	V	
Quiescent Current	$I_Q$	$V_{IN}\leq 10V$		5	10	mA	
Current Limit	$I_{LIMIT}$	$V_{IN}=7.85V, T_J=25^{\circ}C$	LD1117	800		mA	
			LD1117A	1000			
Output Noise Voltage	eN	$B=10Hz$ to 10KHz, $T_J=25^{\circ}C$		100		$\mu V$	
Supply Voltage Rejection	SVR	$I_{OUT}=40mA, f=120Hz, T_J=25^{\circ}C,$ $V_{IN}=5.85V, V_{RIPPLE}=1V_{pp}$	60	75		dB	
Dropout Voltage	$V_D$		$I_{OUT}=100mA$		1.00	1.10	V
			$I_{OUT}=500mA$		1.15	1.25	
			$I_{OUT}=800mA$		1.20	1.30	
			$I_{OUT}=1A$		1.20	1.30	
Thermal Regulation		$T_a=25^{\circ}C, 30ms$ Pulse		0.01	0.10	%/W	

For LD1117/A-3.0

PARAMETER	SYMBOL	TEST CONDITIONS	MIN.	TYP.	MAX.	UNIT	
Output Voltage	$V_{OUT}$	$V_{IN}=5V, I_{OUT}=10mA, T_J=25^{\circ}C$	2.940	3.000	3.060	V	
Output Voltage	$V_{OUT}$	$V_{IN}=4.5$ to 10V LD1117 : $I_{OUT}=0\sim 800mA$ LD1117A : $I_{OUT}=0\sim 1000mA$	2.940	3.000	3.060	V	
Line Regulation	$\Delta V_{OUT}$	$V_{IN}=4.5$ to 12V, $I_{OUT}=0mA$		1	6	mV	
Load Regulation	$\Delta V_{OUT}$	$V_{IN}=4.5V$ LD1117 : $I_{OUT}=0\sim 800mA$ LD1117A : $I_{OUT}=0\sim 1000mA$		1	10	mV	
Temperature stability	$\Delta V_{OUT}$			0.5		%	
Long Term Stability	$\Delta V_{OUT}$	1000 hrs, $T_J=125^{\circ}C$		0.3		%	
Operating Input Voltage	$V_{IN}$	$I_{OUT}=100mA$			15	V	
Quiescent Current	$I_Q$	$V_{IN}\leq 15V$		5	10	mA	
Current Limit	$I_{LIMIT}$	$V_{IN}=8V, T_J=25^{\circ}C$	LD1117	800		mA	
			LD1117A	1000			
Output Noise Voltage	eN	$B=10Hz$ to 10KHz, $T_J=25^{\circ}C$		100		$\mu V$	
Supply Voltage Rejection	SVR	$I_{OUT}=40mA, f=120Hz, T_J=25^{\circ}C,$ $V_{IN}=6V, V_{RIPPLE}=1V_{pp}$	60	75		dB	
Dropout Voltage	$V_D$		$I_{OUT}=100mA$		1.00	1.10	V
			$I_{OUT}=500mA$		1.15	1.25	
			$I_{OUT}=800mA$		1.20	1.30	
			$I_{OUT}=1A$		1.20	1.30	
Thermal Regulation		$T_a=25^{\circ}C, 30ms$ Pulse		0.01	0.10	%/W	

■ ELECTRICAL CHARACTERISTICS(Cont.)

For LD1117/A-3.3

PARAMETER	SYMBOL	TEST CONDITIONS	MIN.	TYP.	MAX.	UNIT
Output Voltage	$V_{OUT}$	$V_{IN}=5.3V, I_{OUT}=10mA, T_J=25^{\circ}C$	3.234	3.300	3.366	V
Output Voltage	$V_{OUT}$	$V_{IN}=4.75$ to 10V LD1117 : $I_{OUT}=0\sim 800mA$ LD1117A : $I_{OUT}=0\sim 1000mA$	3.234	3.300	3.366	V
Line Regulation	$\Delta V_{OUT}$	$V_{IN}=4.75$ to 15V, $I_{OUT}=0mA$		1	6	mV
Load Regulation	$\Delta V_{OUT}$	$V_{IN}=4.75V$ LD1117 : $I_{OUT}=0\sim 800mA$ LD1117A : $I_{OUT}=0\sim 1000mA$		1	10	mV
Temperature stability	$\Delta V_{OUT}$			0.5		%
Long Term Stability	$\Delta V_{OUT}$	1000 hrs, $T_J=125^{\circ}C$		0.3		%
Operating Input Voltage	$V_{IN}$	$I_{OUT}=100mA$			15	V
Quiescent Current	$I_Q$	$V_{IN}\leq 15V$		5	10	mA
Current Limit	$I_{LIMIT}$	$V_{IN}=8.3V, T_J=25^{\circ}C$	LD1117	800		mA
			LD1117A	1000		
Output Noise Voltage	eN	B=10Hz to 10KHz, $T_J=25^{\circ}C$		100		$\mu V$
Supply Voltage Rejection	SVR	$I_{OUT}=40mA, f=120Hz, T_J=25^{\circ}C,$ $V_{IN}=6.3V, V_{RIPPLE}=1V_{pp}$	60	75		dB
Dropout Voltage	$V_D$	$I_{OUT}=100mA$		1.00	1.10	V
				1.15	1.25	
				1.20	1.30	
				1.20	1.30	
Thermal Regulation		$T_A=25^{\circ}C, 30ms$ Pulse		0.01	0.10	%/W

For LD1117/A-3.6

PARAMETER	SYMBOL	TEST CONDITIONS	MIN.	TYP.	MAX.	UNIT
Output Voltage	$V_{OUT}$	$V_{IN}=5.6V, I_{OUT}=10mA, T_J=25^{\circ}C$	3.528	3.600	3.672	V
Output Voltage	$V_{OUT}$	$V_{IN}=5$ to 10V LD1117 : $I_{OUT}=0\sim 800mA$ LD1117A : $I_{OUT}=0\sim 1000mA$	3.528	3.600	3.672	V
Line Regulation	$\Delta V_{OUT}$	$V_{IN}=5$ to 15V, $I_{OUT}=0mA$		1	6	mV
Load Regulation	$\Delta V_{OUT}$	$V_{IN}=5V$ LD1117 : $I_{OUT}=0\sim 800mA$ LD1117A : $I_{OUT}=0\sim 1000mA$		1	10	mV
Temperature stability	$\Delta V_{OUT}$			0.5		%
Long Term Stability	$\Delta V_{OUT}$	1000 hrs, $T_J=125^{\circ}C$		0.3		%
Operating Input Voltage	$V_{IN}$	$I_{OUT}=100mA$			15	V
Quiescent Current	$I_Q$	$V_{IN}\leq 15V$		5	10	mA
Current Limit	$I_{LIMIT}$	$V_{IN}=8.6V, T_J=25^{\circ}C$	LD1117	800		mA
			LD1117A	1000		
Output Noise Voltage	eN	B=10Hz to 10KHz, $T_J=25^{\circ}C$		100		$\mu V$
Supply Voltage Rejection	SVR	$I_{OUT}=40mA, f=120Hz, T_J=25^{\circ}C,$ $V_{IN}=6.6V, V_{RIPPLE}=1V_{pp}$	60	75		dB
Dropout Voltage	$V_D$	$I_{OUT}=100mA$		1.00	1.10	V
				1.15	1.25	
				1.20	1.30	
				1.20	1.30	
Thermal Regulation		$T_A=25^{\circ}C, 30ms$ Pulse		0.01	0.10	%/W



■ ELECTRICAL CHARACTERISTICS(Cont.)

For LD1117/A-5.0

PARAMETER	SYMBOL	TEST CONDITIONS	MIN.	TYP.	MAX.	UNIT	
Output Voltage	$V_{OUT}$	$V_{IN}=7V, I_{OUT}=10mA, T_J=25^{\circ}C$	4.900	5.000	5.100	V	
Output Voltage	$V_{OUT}$	$V_{IN}=6.5$ to 15V LD1117 : $I_{OUT}=0\sim 800mA$ LD1117A : $I_{OUT}=0\sim 1.0A$	4.900	5.000	5.100	V	
Line Regulation	$\Delta V_{OUT}$	$V_{IN}=6.5$ to 15V, $I_{OUT}=0mA$		1	10	mV	
Load Regulation	$\Delta V_{OUT}$	$V_{IN}=6.5V$ LD1117 : $I_{OUT}=0\sim 800mA$ LD1117A : $I_{OUT}=0\sim 1000mA$		1	15	mV	
Temperature stability	$\Delta V_{OUT}$			0.5		%	
Long Term Stability	$\Delta V_{OUT}$	1000 hrs, $T_J=125^{\circ}C$		0.3		%	
Operating Input Voltage	$V_{IN}$	$I_{OUT}=100mA$			15	V	
Quiescent Current	$I_Q$	$V_{IN}\leq 15V$		5	10	mA	
Current Limit	$I_{LIMIT}$	$V_{IN}=10V, T_J=25^{\circ}C$	LD1117	800		mA	
			LD1117A	1000			
Output Noise Voltage	$e_N$	$B=10Hz$ to 10KHz, $T_J=25^{\circ}C$		100		$\mu V$	
Supply Voltage Rejection	SVR	$I_{OUT}=40mA, f=120Hz, T_J=25^{\circ}C,$ $V_{IN}=8V, V_{RIPPLE}=1V_{pp}$	60	75		dB	
Dropout Voltage	$V_D$	$I_{OUT}=100mA$		1.00	1.10	V	
			$I_{OUT}=500mA$		1.15		1.25
			$I_{OUT}=800mA$		1.20		1.30
			$I_{OUT}=1A$		1.20		1.30
Thermal Regulation		$T_A=25^{\circ}C, 30ms$ Pulse		0.01	0.10	%/W	

For LD1117/A-ADJ

PARAMETER	SYMBOL	TEST CONDITIONS	MIN.	TYP.	MAX.	UNIT	
Reference Voltage	$V_{REF}$	$V_{IN}-V_{OUT}=2V, I_{OUT}=10mA, T_J=25^{\circ}C$	1.225	1.25	1.275	V	
Reference Voltage	$V_{REF}$	$V_{IN}-V_{OUT}=1.4$ to 10V LD1117 : $I_{OUT}=10\sim 800mA$ LD1117A : $I_{OUT}=10\sim 1000mA$	1.225	1.25	1.275	V	
Line Regulation	$\Delta V_{OUT}$	$V_{IN}-V_{OUT}=1.5$ to 13.75V, $I_{OUT}=10mA$		0.035	0.2	%	
Load Regulation	$\Delta V_{OUT}$	$V_{IN}-V_{OUT}=3V$ LD1117 : $I_{OUT}=10\sim 800mA$ LD1117A : $I_{OUT}=10\sim 1000mA$		0.1	0.4	%	
Temperature stability	$\Delta V_{OUT}$			0.50		%	
Long Term Stability	$\Delta V_{OUT}$	1000 hrs, $T_J=125^{\circ}C$		0.3		%	
Operating Input Voltage	$V_{IN}$				15	V	
Adjustment Pin Current	$I_{ADJ}$	$V_{IN}\leq 15V$		60	120	$\mu A$	
Adjustment Pin Current Change	$\Delta I_{ADJ}$	$V_{IN}-V_{OUT}=1.4$ to 10V, LD1117 : $I_{OUT}=10\sim 800mA$ LD1117A : $I_{OUT}=10\sim 1000mA$		1	5	$\mu A$	
Minimum Load Current	$I_{O(MIN)}$	$V_{IN}=15V$		2	5	mA	
Current Limit	$I_{LIMIT}$	$V_{IN}-V_{OUT}=5V, T_J=25^{\circ}C$	LD1117	800		mA	
			LD1117A	1000			
Output Noise (%Vo)	$e_N$	$B=10Hz$ to 10KHz, $T_J=25^{\circ}C$		0.003		%	
Supply Voltage Rejection	SVR	$I_{OUT}=40mA, f=120Hz, T_J=25^{\circ}C,$ $V_{IN}-V_{OUT}=3V, V_{RIPPLE}=1V_{pp}$	60	75		dB	
Dropout Voltage	$V_D$	$I_{OUT}=100mA$		1.00	1.10	V	
			$I_{OUT}=500mA$		1.15		1.25
			$I_{OUT}=800mA$		1.20		1.30
			$I_{OUT}=1A$		1.20		1.30
Thermal Regulation		$T_A=25^{\circ}C, 30ms$ Pulse		0.01	0.10	%/W	

## TYPICAL APPLICATIONS

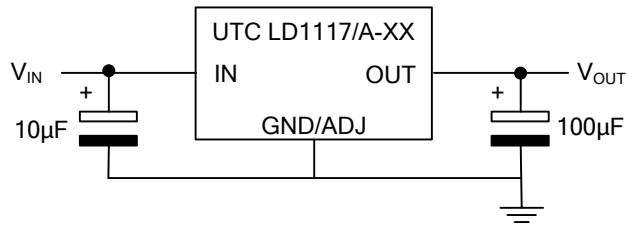


Fig.1 Tynca Application Circuit

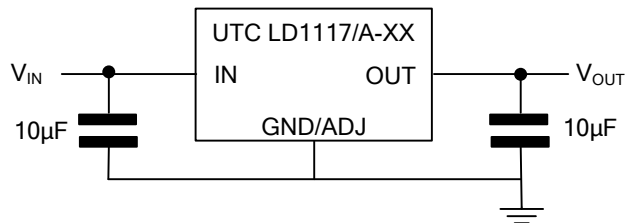


Fig.2 Tynca Application Circuit (FOR MLCC)

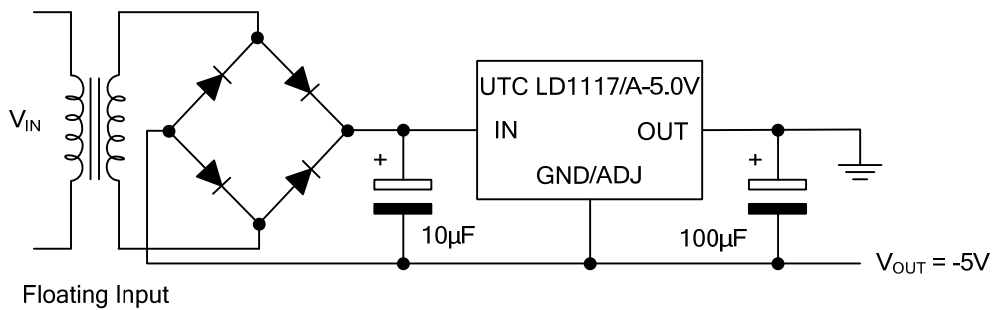


Fig.3 Negative Supply

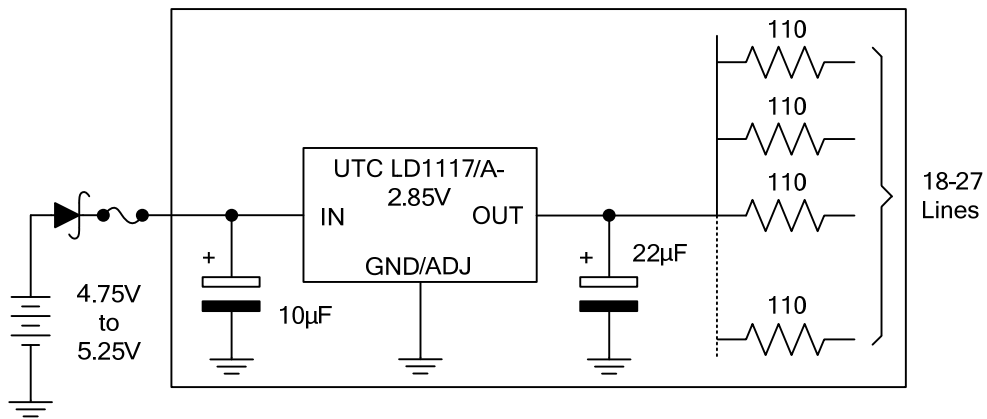


Fig.4 Active Terminator for SCSI-2 BUS

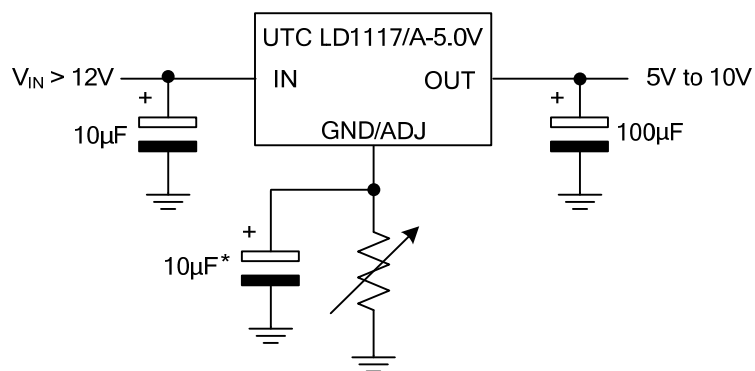


Fig.5 Circuit for Increasing Output Voltage

## APPLICATION NOTE of LD1117/A ADJUSTABLE

The **LD1117/A** adjustable has a reference voltage of between the OUT and ADJ/GND pins.  $I_{ADJ}$  is 60 $\mu$ A typ. (120 $\mu$ A max.) and  $\Delta I_{ADJ}$  is 1 $\mu$ A typ. (5 $\mu$ A max.).

$R_1$  is normally fixed to 120 $\Omega$ .

From figure 4 we obtain:

$$V_{OUT} = V_{REF} + R_2(I_{ADJ} + I_{R1}) = V_{REF} + R_2(I_{ADJ} + V_{REF}/R_1) = V_{REF}(1 + R_2/R_1) + R_2 \times I_{ADJ}$$

Usually  $R_2$  value is in the range of few K $\Omega$ , so the  $R_2 \times I_{ADJ}$  product could be neglected; then the above expression becomes:  $V_{OUT} = V_{REF}(1 + R_2/R_1)$

For better load regulation, realize a good Kelvin connection of  $R_1$  and  $R_2$  is important. Particularly  $R_1$  connection must be realized very close to OUT and ADJ/GND pin, while  $R_2$  ground connection must be placed as near as possible to the negative Load pin. Ripple rejection can be improved by introducing a 10 $\mu$ F electrolytic capacitor placed in parallel to the  $R_2$  resistor (See Fig. 8)

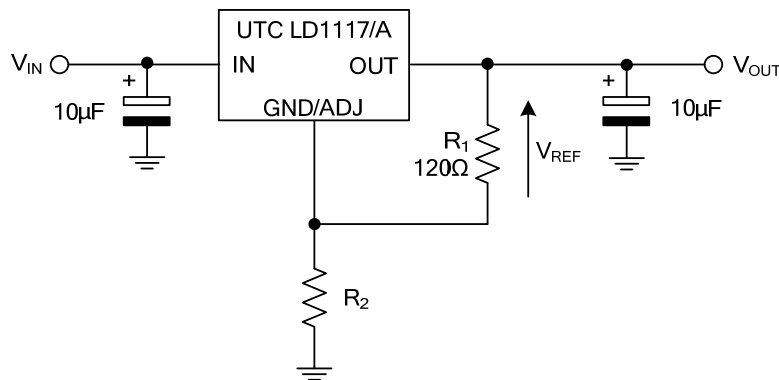


Fig.6 Adjustable Output Voltage Application Circuit

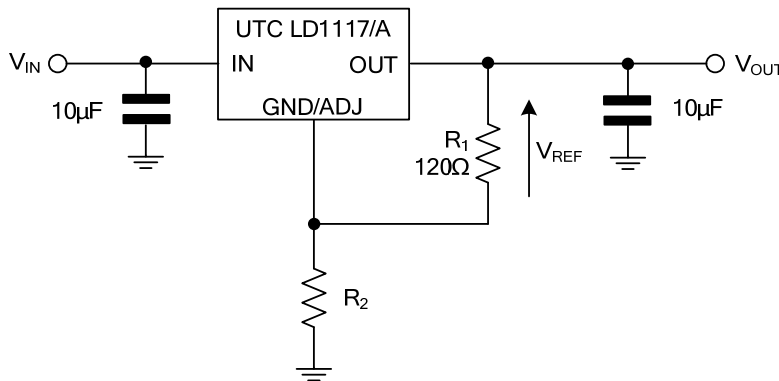


Fig.7 Adjustable Output Voltage Application Circuit (FOR MLCC)

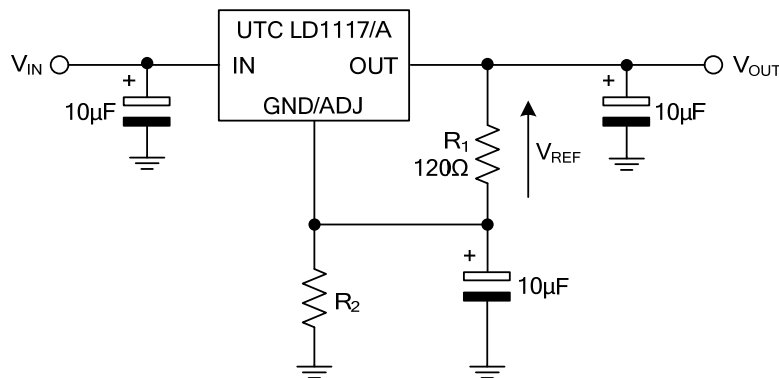
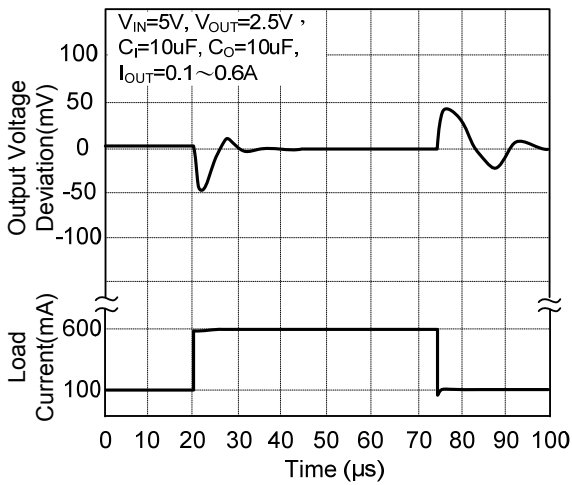


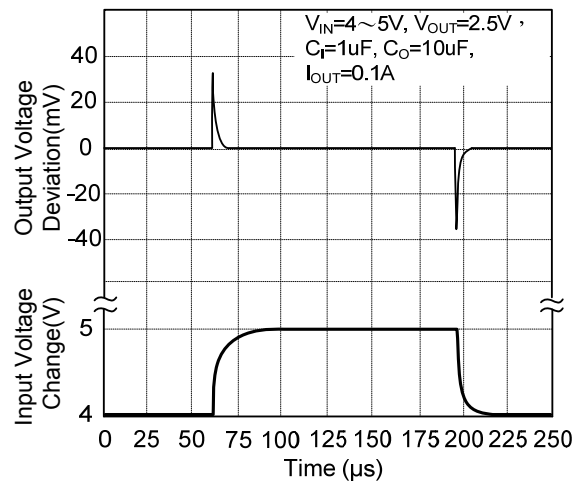
Fig.8 Adjustable Output Voltage Application with improved Ripple Rejection.

## TYPICAL CHARACTERISTICS

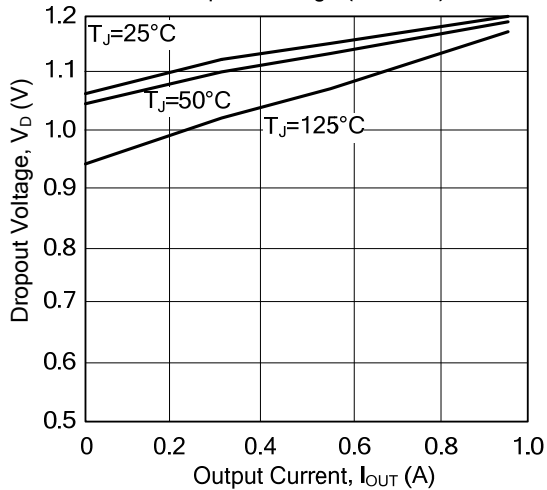
Load Transient Response



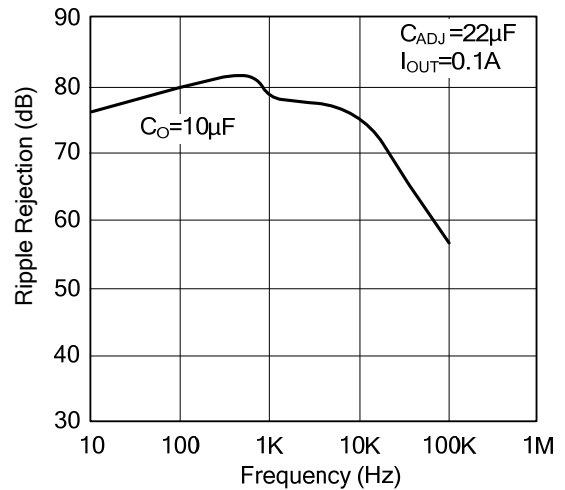
Line Transient Response



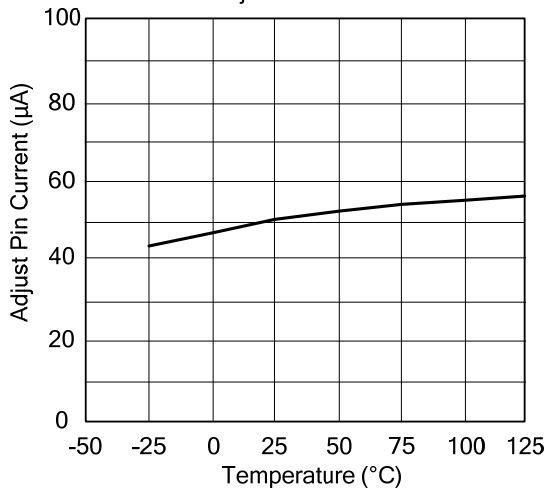
Dropout Voltage ( $V_{IN}-V_{OUT}$ )



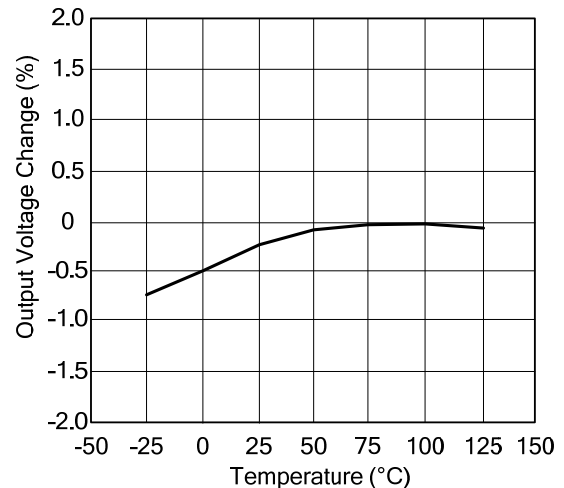
Ripple Rejection



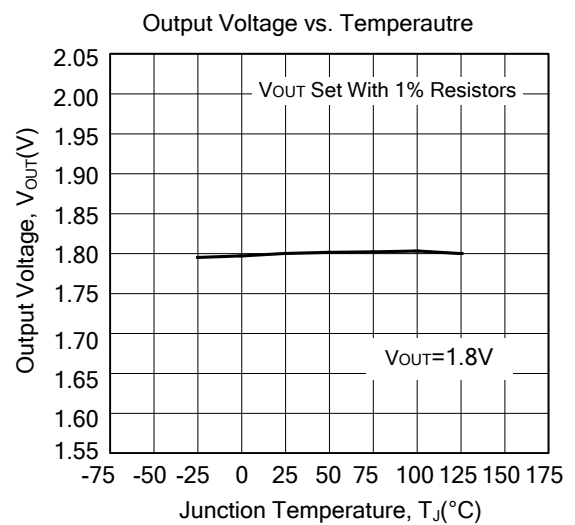
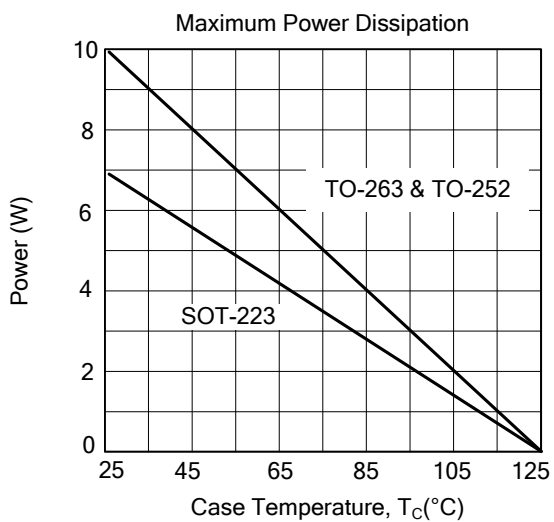
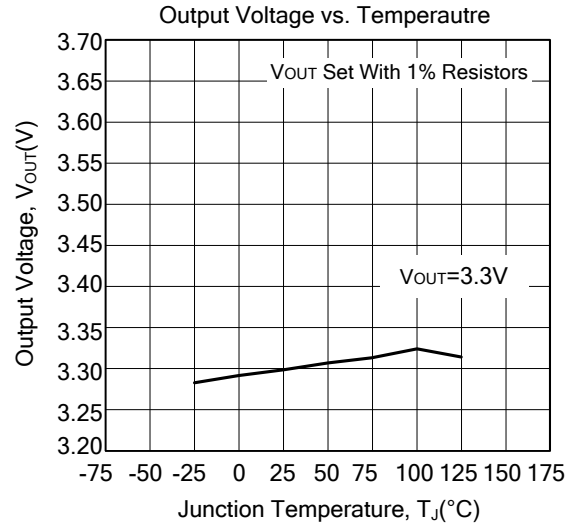
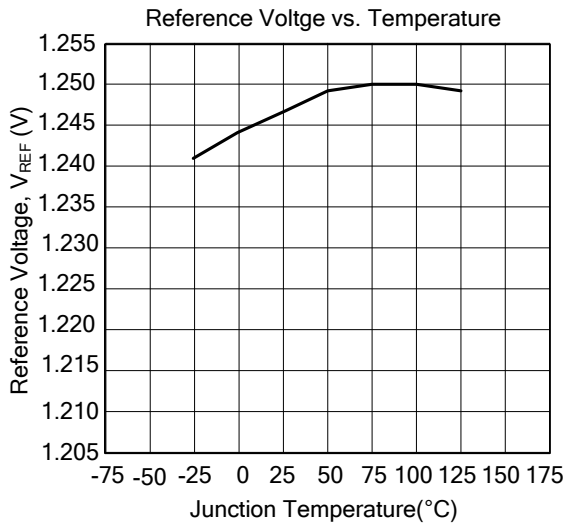
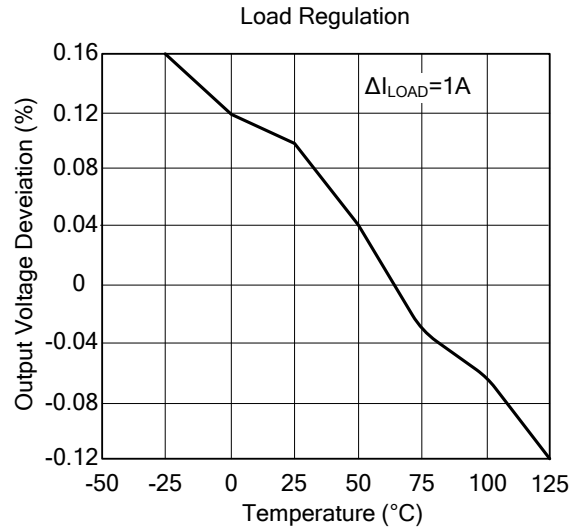
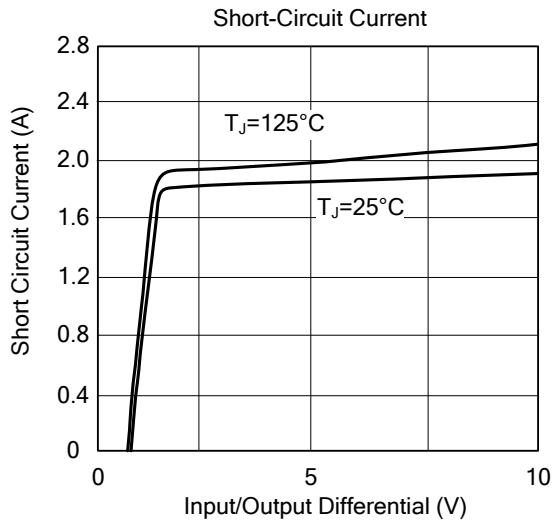
Adjust Pin Current



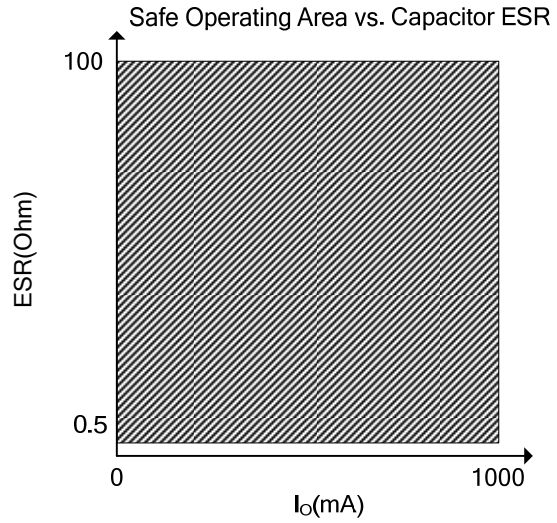
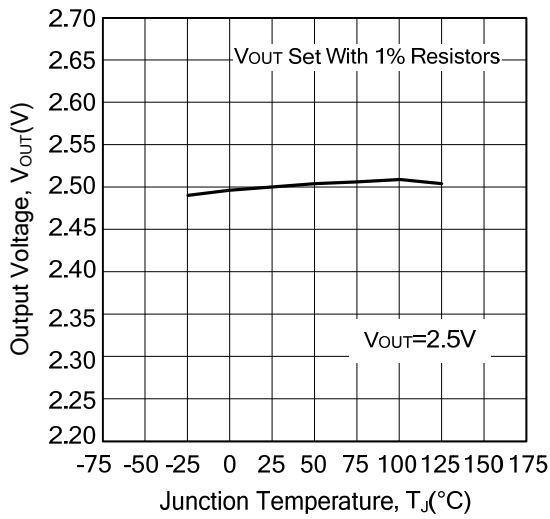
Temperature Stability



## TYPICAL CHARACTERISTICS(Cont.)



■ TYPICAL CHARACTERISTICS(Cont.)



UTC assumes no responsibility for equipment failures that result from using products at values that exceed, even momentarily, rated values (such as maximum ratings, operating condition ranges, or other parameters) listed in products specifications of any and all UTC products described or contained herein. UTC products are not designed for use in life support appliances, devices or systems where malfunction of these products can be reasonably expected to result in personal injury. Reproduction in whole or in part is prohibited without the prior written consent of the copyright owner. The information presented in this document does not form part of any quotation or contract, is believed to be accurate and reliable and may be changed without notice.

单击下面可查看定价，库存，交付和生命周期等信息

[>>UTC\(友顺\)](#)