

Data Sheet

Customer :

Product : Thin Film Current Sensing Chip Resistor –TCS Series

Size : 0402/0603/0805/1206/2010/2512

Issued Date : 10-Nov-17

Edition : REV.B5



VIKING TECH CORPORATION
光頡科技股份有限公司

No.70, Guangfu N. Rad.,
Hsin Chu Industrial Park,
Hukou Hsiang, Hsin Chu Hsien,
303, Taiwan

TEL:886-3-5972931

FAX:886-3-5972935•886-3-5973494

E-mail:sales@viking.com.tw

VIKING TECH CORPORATION KAOHSIUNG BRANCH
光頡科技股份有限公司高雄分公司

No.248-3, Sin-Sheng Rd., Cian-Jhen Dist., Kaohsiung,
806, Taiwan

TEL:886-7-8217999

FAX:886-7-8228229

E-mail:sales@viking.com.tw

Viking Electronics (WUXI) CO., LTD.
光頡電子(無錫)有限公司

No.1A,(Xixia Road),Machinery & Industry Park,
National Hi-Tech Industrial Development Zone of
Wuxi, Wuxi, Jiangsu Province, China

Zip Code:214028

TEL:86-510-85203339

FAX:86-510-85203667•86-510-85203977

E-mail:wuxisales@tmtec.com.tw

Produced by (QC)	Checked by (QC)	Approved by (QC)	Prepared by (Sales)	Accepted by (Customer)
10-Nov-17	10-Nov-17	10-Nov-17	10-Nov-17	
Chun	Ben Chang	Ben Chang		

Thin Film Current Sensing Chip Resistor (TCS Series)



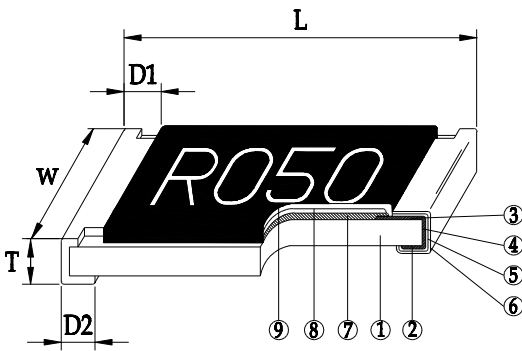
■ Features

- Thin film process
- High power rating up to 3 Watts in 2512 size
- Tight tolerance down to $\pm 0.5\%$
- Extremely low TCR down to ± 50 PPM/ $^{\circ}\text{C}$
- Resistance values from 50m to 1ohm
- High purity alumina substrate for high power dissipation

■ Applications

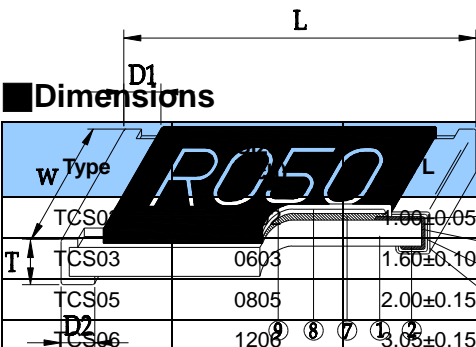
- Power Management Applications
- Switching Power Supply
- Over Current Protection in Audio Applications
- Voltage Regulation Module (VRM)
- DC-DC Converter, Battery Pack, Charger, Adaptor
- Automotive Engine Control
- Disk Driver
- Portable Devices (PDA, Cell Phone)

■ Construction



① Alumina Substrate	④ Edge Electrode	⑦ Resistor Layer
② Bottom Electrode	⑤ Barrier Layer	⑧ Overcoat
③ Top Electrode	⑥ External Electrode	⑨ Marking

■ Dimensions



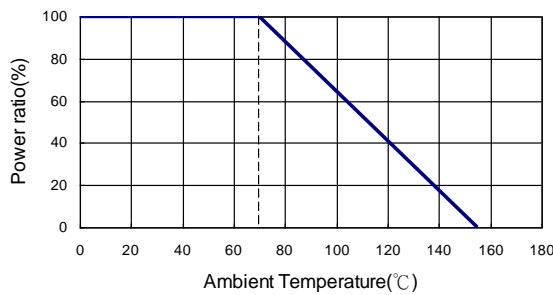
Unit: mm

Type	W	T	D1	D2	Weight (g) (1000pcs)
TCS03	0603	1.00±0.05	0.25±0.10	0.20±0.10	0.56
TCS05	0805	1.60±0.10	0.30±0.20	0.30±0.20	3.1
TCS06	1206	2.00±0.15	0.50±0.30	0.40±0.25	5.6
TCS10	2010	3.05±0.15	0.60±0.30	0.50±0.25	12.3
TCS12	2512	5.00±0.20	0.60±0.10	0.55±0.25	26.7
TCS12	2512	6.35±0.20	0.60±0.10	0.55±0.25	49.6

Part Numbering

TCS	12	F	T	F		R010	N
Product Type	Dimensions (LxW)	Resistance Tolerance	Packaging Code	TCR (PPM/°C)	Power Rating	Resistance	Marking
	02: 0402 03: 0603 05: 0805 06: 1206 10: 2010 12: 2512	D: ±0.5% F: ±1%	T: Taping Reel B: Bulk	D: ±50 E: ±100 F: ±200	: Standard R: 3W	R010: 0.01Ω R100: 0.1Ω 1R00: 1Ω	: Standard N: No Marking

Derating Curve



Standard Electrical Specifications

Type	Item	Power Rating at 70°C	Operating Temp. Range	Resistance Range (mΩ)		TCR (PPM/°C)
				±0.5%	±1%	
TCS02 (0402)		1/16W	-55~+155°C	500 - 1000		±100 ±50
TCS03 (0603)		1/10W		200 - 300 301 - 1000	±100 ±50	
TCS05 (0805)		1/8W		200 - 300 301 - 1000		
TCS06 (1206)		1/4W	-55~+155°C	—	50 - 100	±200 ±100 ±50
				101 - 300 301 - 1000		
TCS10 (2010)		3/4W	-55~+155°C	50 - 100 101 - 300 301 - 1000		±200 ±100 ±50
TCS12 (2512)		1W	-55~+155°C	50 - 100 101 - 300 301 - 1000		±200 ±100 ±50

High Power Rating Electrical Specifications

Type	Item	Power Rating at 70°C	Operating Temp. Range	Resistance Range (mΩ)		TCR (PPM/°C)
				±0.5%	±1%	
TCS12 (2512)		3W	-55~+155°C	100 - 1000		±100

Operating Voltage= $\sqrt{P \cdot R}$

Overload Voltage= $2.5 \cdot \sqrt{P \cdot R}$

■ Viking is capable of manufacturing the optional spec based on customer's requirement.

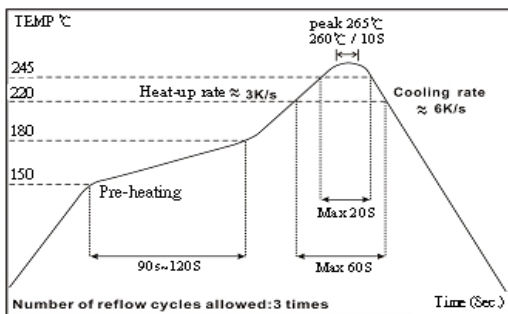
Environmental Characteristics

Item	Requirement	Test Method
Temperature Coefficient of Resistance (T.C.R.)	As Spec.	MIL-STD-202 Method 304 +25/-55/+25/+125/+25°C
Short Time Overload	±1%	JIS-C-5201-1 4.13 RCWV*2.5 or Max. overload voltage whichever is lower for 5seconds
Insulation Resistance	>1000MΩ	MIL-STD-202 Method 302 Apply 100V _{DC} for 1 minute
Endurance	±1%	MIL-STD-202 Method 108A 70±2°C, RCWV for 1000 hrs with 1.5 hrs "ON" and 0.5 hrs "OFF"
Damp Heat with Load	±0.5%	MIL-STD-202 Method 103B 40±2°C, 90~95% R.H., RCWV for 1000 hrs with 1.5 hrs "ON" and 0.5 hrs "OFF"
Bending Strength	As Spec.	JIS-C-5201-1 4.33 Bending amplitude 3mm for 10 seconds
Solderability	95% min. coverage	MIL-STD-202 Method 208H 245±5°C for 3 seconds
Resistance to Soldering Heat	±0.5%	MIL-STD-202 Method 210E 260±5°C for 10 seconds
Dielectric Withstand Voltage	By Type	MIL-STD-202 Method 301 Apply Max. Overload Voltage for 1 minute
Thermal Shock	±0.5%	MIL-STD-202 Method 107G -55°C ~150°C, 100 cycles
Low Temperature Operation	±0.5%	JIS-C-5201-1 4.36 1 hour, -65°C followed by 45 minutes of RCWV

RCWV(Rated continuous working voltage)= $\sqrt{P \cdot R}$ or Max. Operating voltage whichever is lower

■ **Storage Temperature: 15~28°C; Humidity < 80%RH**

Reflow



Marking

0603 3digit marking

Example :

Resistance	1Ω	0.1Ω	0.15Ω	0.01Ω	0.101Ω	0.035Ω
Codes	1R0	R10	R15	R01	<u>101</u>	<u>035</u>

0805~2512 4digit marking

Example :

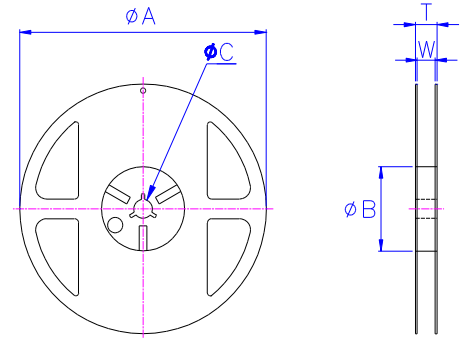
Resistance	1Ω	0.1Ω	0.05Ω	0.015Ω	0.01Ω
Codes	1R00	R100	R050	R015	R010

■ Packaging

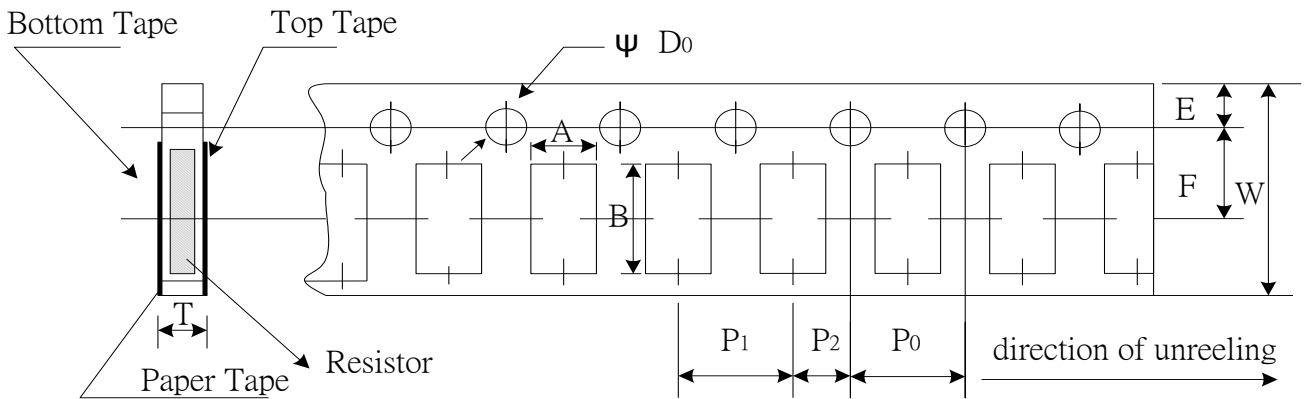
Packaging Quantity & Reel Specifications

Unit : mm

Type	nA	nB	nC	W	T	Paper Tape (EA)	Emboss Plastic Tape (EA)
TCS02	178.0±1.0	60.0+1.0	13.5±0.7	9.5±1.0	11.5±1.0	10,000	
TCS03	178.0±1.0	60.0+1.0	13.5±0.7	9.5±1.0	11.5±1.0	5,000	-
TCS05	178.0±1.0	60.0+1.0	13.5±0.7	9.5±1.0	11.5±1.0	5,000	-
TCS06	178.0±1.0	60.0+1.0	13.5±0.7	9.5±1.0	11.5±1.0	5,000	-
TCS10	178.0±1.0	60.0+1.0	13.5±0.7	13.5±1.00	15.5±1.0	-	4,000
TCS12	178.0±1.0	60.0+1.0	13.5±0.7	13.5±1.00	15.5±1.0	-	4,000



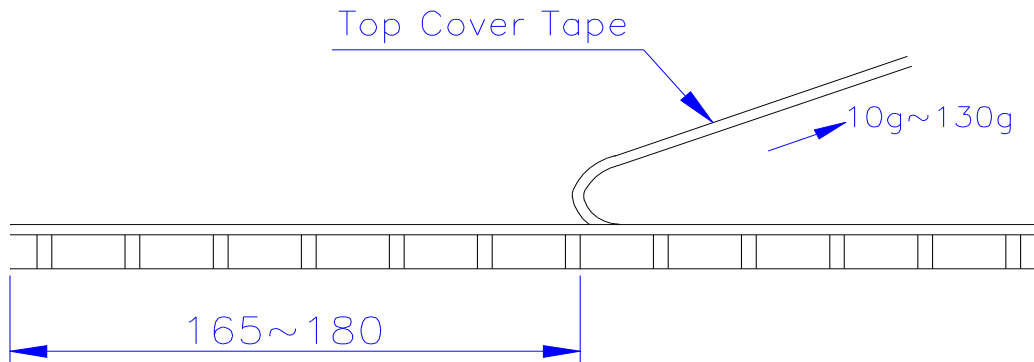
Paper Tape Specifications



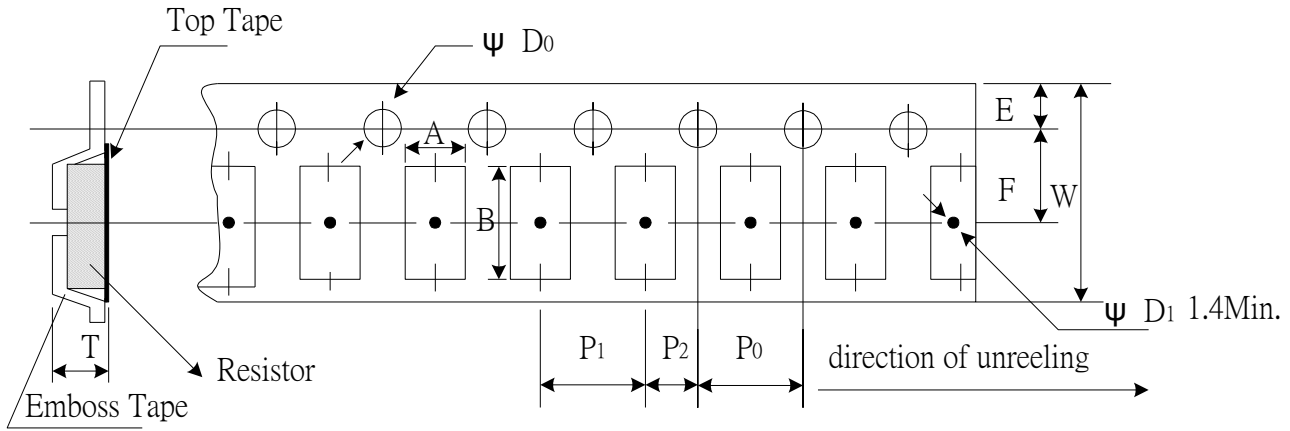
Unit: mm

Type	A	B	W	E	F	P0	P1	P2	ψD0	T
TCS02	0.70±0.05	1.16±0.05	8.00±0.10	1.75±0.05	3.5±0.05	4.00±0.10	2.00±0.05	2.00±0.05	1.55±0.05	0.40±0.03
TCS03	1.10±0.05	1.90±0.05	8.00±0.10	1.75±0.05	3.5±0.05	4.00±0.10	4.00±0.10	2.00±0.05	1.55±0.05	0.60±0.03
TCS05	1.60±0.05	2.37±0.05	8.00±0.10	1.75±0.05	3.5±0.05	4.00±0.10	4.00±0.10	2.00±0.05	1.55±0.05	0.75±0.05
TCS06	2.00±0.05	3.55±0.05	8.00±0.10	1.75±0.05	3.5±0.05	4.00±0.10	4.00±0.10	2.00±0.05	1.55±0.05	0.75±0.05

- Peel force of top cover tape
- The peel speed shall be about 300mm/min±5%
- The peel force of top cover tape shall be between 10 to 100g



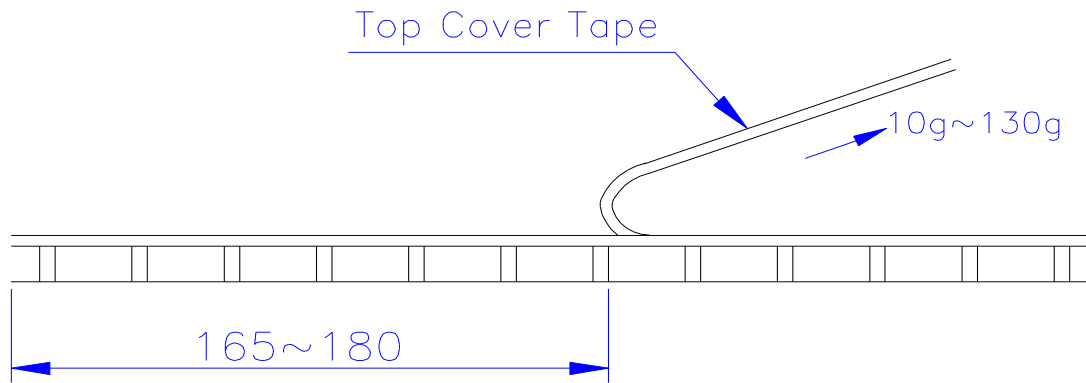
Emboss Plastic Tape Specifications



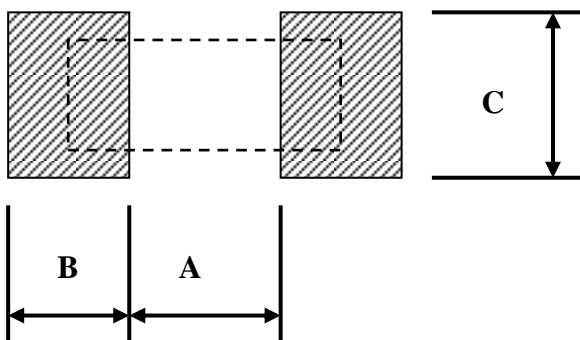
Unit: mm

Type	A	B	W	E	F	P ₀	P ₁	P ₂	ψD ₀	T
TCS10	2.85±0.10	5.45±0.10	12.0±0.10	1.75±0.10	5.5±0.05	4.00±0.05	4.00±0.10	2.00±0.05	1.50±0.10	1.00±0.20
TCS12	3.40±0.10	6.65±0.10	12.0±0.10	1.75±0.10	5.5±0.05	4.00±0.05	4.00±0.10	2.00±0.05	1.50±0.10	1.00±0.20

- Peel force of top cover tape
- The peel speed shall be about 300mm/min±5%
- The peel force of top cover tape shall be between 10 to 130g



■ Recommend Land Pattern



Unit : mm

Type	A	B	C
TCS02	0.50	0.50	0.60±0.2
TCS03	0.80	1.00	0.90±0.2
TCS05	1.00	1.00	1.35±0.2
TCS06	2.00	1.15	1.70±0.2
TCS10	3.60	1.40	2.50±0.2
TCS12	4.90	1.60	3.10±0.2

REVISION HISTORY

REVISION	DATE	CHANGE NOTIFICATION	DESCRIPTION
Version B2	May 08,2015	-	- Correct the element of Top Electrode.
Version B3	July 10,2015	-	- Add 0.5% tolerance for High Power Rating Electrical Specifications
Version B4	Mar 02, 2016	-	- Modify Storage Temperature. - Remove Material Description.
Version B5	Nov 10, 2017	-	- Correct the reference standard in Environmental Characteristics.

单击下面可查看定价，库存，交付和生命周期等信息

[>>VIKING\(光颀\)](#)