

# 18 TURNS CERMET TRIMMERS

# CT-9

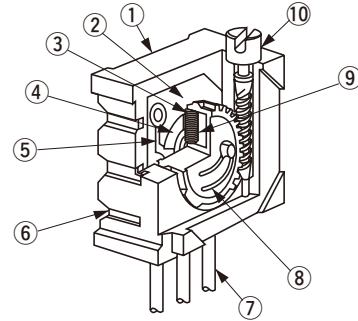
RoHS compatible



## FEATURES

- Lead-free soldering, Cadmium-free
- General use type
- Fine setting is possible with 18 turns configuration

## INTERNAL STRUCTURE



Part name		Material	Flammability	
①	Housing	PBT (Polybutyleneterephthalate)	UL-94V-0	
②	Base element	Ceramic	—	
③	Wiper	Multi metal alloy		
④	Resistive element	RuO <sub>2</sub> cermet		
⑤	Electrode	Ag-Pd cermet		
⑥	Adhesive	Epoxy	UL-94V-0	
⑦	Terminal pin	Sn-Pb	Copper, Solder-plated	—
		Sn		
⑧	Rotor gear	PA (Polyamide)	UL-94HB	
⑨	Rubber cushion	Silicone rubber	—	
⑩	Shaft	Brass, Nickel-plated		

CFCs, Halon, Carbon tetrachloride and designated bromic flame retardant PBBs and PBBs are not used in our products.

## PART NUMBER DESIGNATION

CT-9 □ W 1 M Ω ( 1 0 5 )

Series name

Terminal pin

Blank : Sn-Pb

E : Sn (Lead-free)

Product shape

W : Top adjustment

X : Side adjustment

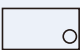


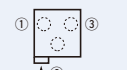
P : Side adjustment

Resistance code

Resistance value

※ Please refer to the LIST OF PART NUMBERS when placing orders.

**LIST OF PART NUMBERS**

Adjustment position	Shape of terminal (Top view)	Form of packaging		Pieces in package
		Vinyl pack		
		Sn-Pb	Sn (Lead-free)	
Top adjustment 		CT-9W	CT-9EW	50 pcs./pack
Side adjustment (↑ Adjustment direction)		CT-9X	CT-9EX	
		CT-9P	CT-9EP	

**ELECTRICAL CHARACTERISTICS**

Nominal resistance range	10 Ω ~ 2 MΩ
Resistance tolerance	± 10 %
Power ratings	0.5 W (70 °C) 0 W (120 °C)
Resistance law	Linear law (B)
Maximum input voltage	DC300 V or power rating, whichever is smaller
Maximum wiper current	100 mA or power rating, whichever is smaller
Effective electrical turn	15 turns
End resistance	1 % or 2 Ω, whichever is greater
C.R.V.	1 % or 3 Ω, whichever is greater
Operating temp. range	-55 ~ 120 °C
Temp. coefficient	10 Ω, 20 Ω : ± 250 10 <sup>-6</sup> /°C maximum 50 Ω ~ 2 MΩ : ± 100 10 <sup>-6</sup> /°C maximum
Insulation resistance	1000 MΩ minimum (DC500 V)
Dielectric strength	AC900 V, 60 s
Net weight	Approx. 0.94 g (CT-9P, EP) Approx. 0.95 g (CT-9X, W, EX, EW)

<Nominal resistance values>

10 Ω	20 Ω	50 Ω	100 Ω	200 Ω	500 Ω	1 kΩ	2 kΩ	5 kΩ
10 kΩ	20 kΩ	50 kΩ	100 kΩ	200 kΩ	500 kΩ	1 MΩ	2 MΩ	

Fig.1

The products indicated by mark are manufactured upon receipt of order basis.

- \* : The above part numbers are all available with the respective combination of <Nominal resistance values> (Fig. 1).
- \* : Verify the above part numbers when placing orders.

**MECHANICAL CHARACTERISTICS**

Mechanical turn	18 turns
Operating torque	35 mN·m {357 gf·cm} maximum
Mechanical stop	Clutch action
Rotational life	200 cycles [ $\Delta R/R \leq \pm (2 \Omega + 3 \%)$ ]
Terminal strength	10 N {1.02 kgf} minimum (Tensile strength)
Thrust to shaft	10 N {1.02 kgf} minimum
Solderability	Sn-Pb : 235 °C, 2 s Sn (Lead-free) : 245 ± 3 °C, 2 ~ 3 s

{ } : Reference only

**ENVIRONMENTAL CHARACTERISTICS**

Test item	Test conditions	Specifications
Thermal shock	-65 ~ 125 °C (0.5 h), 5 cycles	[ $\Delta R/R \leq 1 \%$ ] [S.S. $\leq 1 \%$ ]
Humidity	-10 ~ 65 °C (Relative humidity 80 ~ 98 %), 10 cycles, 240 h	[ $\Delta R/R \leq 2 \%$ ]
Shock	981 m/s <sup>2</sup> , 6 ms 6 directions for 3 times each	[ $\Delta R/R \leq 1 \%$ ] [S.S. $\leq 1 \%$ ]
Vibration	Amplitude 1.52 mm or Acceleration 196 m/s <sup>2</sup> , 10 ~ 2000 Hz, 3 directions, 12 times each	
Load life	70 °C, 0.5 W, 1000 h	[ $\Delta R/R \leq 3 \%$ ] [S.S. $\leq 1 \%$ ]
Low temp. operation	-55 °C, 2 h	[ $\Delta R/R \leq 2 \%$ ] [S.S. $\leq 2 \%$ ]
High temp. exposure	120 °C, 250 h	[ $\Delta R/R \leq 3 \%$ ] [S.S. $\leq 2 \%$ ]
Immersion seal	85 °C, 60 s	No leaks (No continuous bubbles)
Soldering heat	Sn-Pb 350 °C, 3 s Sn Flow soldering : 260 ± 3 °C, 5 - 6 s, two times maximum Manual soldering : 380 ± 10 °C, 3 ~ 4 s	[ $\Delta R/R \leq 1 \%$ ]

$\Delta R/R$  : Change in total resistance  
S.S. : Setting stability

■ **MAXIMUM INPUT RATINGS**

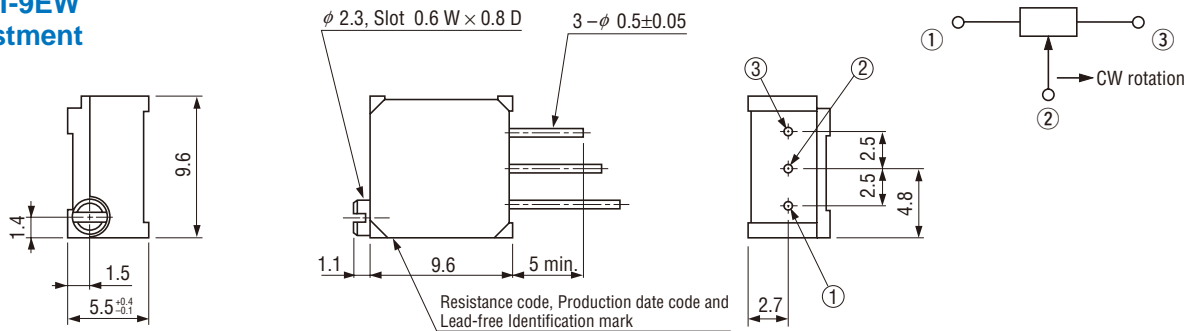
Nominal resistance values (Ω)	Resistance code	Maximum input voltage (V)	Maximum wiper current (mA)
↻ 10 ↻ 20 50 100 200 500	100 200 500 101 201 501	1.00 2.00 5.00 7.07 10.0 15.8	100 100 100 70.7 50.0 31.6
1 k 2 k 5 k 10 k 20 k 50 k	102 202 502 103 203 503	22.4 31.6 50.0 70.7 100 158	22.4 15.8 10.0 7.07 5.00 3.16
100 k 200 k 500 k 1 M 2 M	104 204 504 105 205	224 300 300 300 300	2.24 1.50 0.60 0.30 0.15

The products indicated by ↻ mark are manufactured upon receipt of order basis.

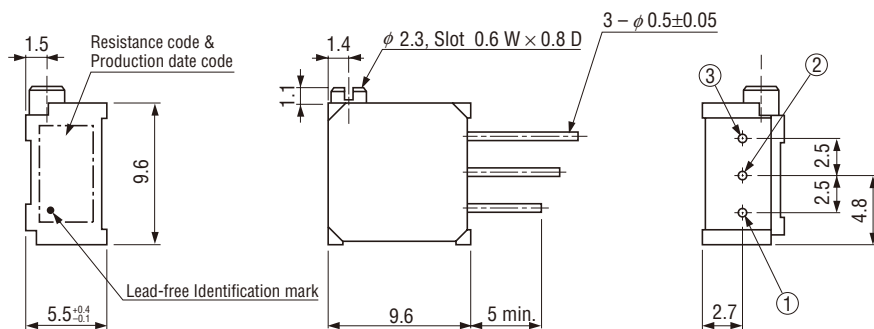
■ **OUTLINE DIMENSIONS**

Unless otherwise specified, tolerance: ± 0.3 (Unit: mm)

● **CT-9W, CT-9EW**  
Top adjustment



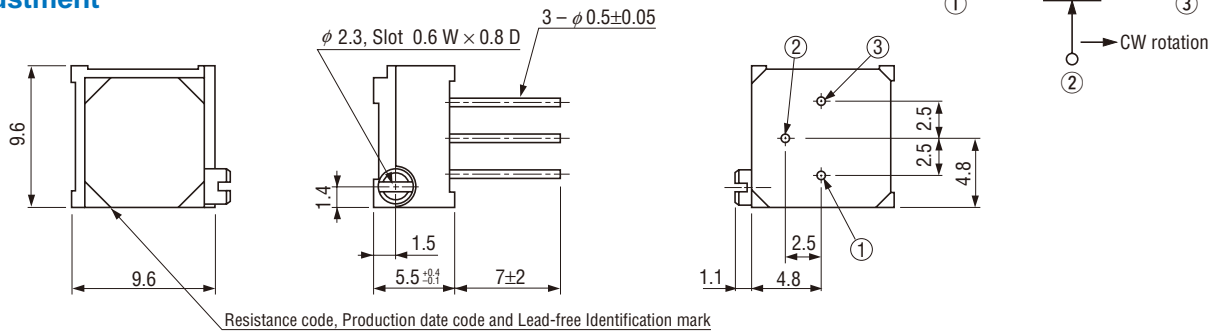
● **CT-9X, CT-9EX**  
Side adjustment



**OUTLINE DIMENSIONS**

● **CT-9P, CT-9EP**  
**Side adjustment**

Unless otherwise specified, tolerance:  $\pm 0.3$  (Unit: mm)



**PACKAGING SPECIFICATIONS**

<Vinyl bag packaging specifications>

- Unit of bulk in vinyl bag packaging is 50 pcs. per pack.
- Boxing of bulk in vinyl bags is performed with 100 pcs. per box.

单击下面可查看定价，库存，交付和生命周期等信息

[>>Vishay\(威世\)](#)