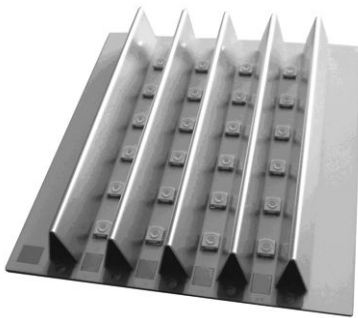


Reflector for VLSL3...., VLSL4...., VLSL5.... LED Power Module



21853

DESCRIPTION

VLSL-REFL is a special reflector designed for VLSL3...., VLSL4...., and VLSL5.... LED power modules.

By using different reflector combinations the emission in one direction can be adjusted in a typical range of 120° to 55°.

APPLICATION

FEATURES

- Material: Al-alloy
- Surface not high polished
- Material categorization:
For definitions of compliance please see www.vishay.com/doc?99912



RoHS
COMPLIANT

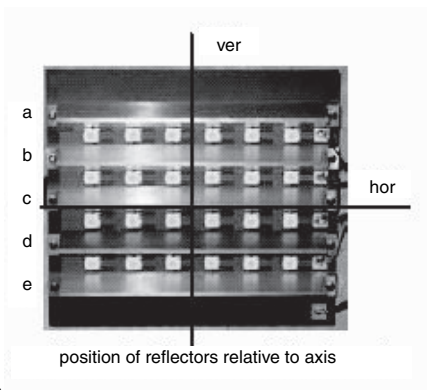
APPLICATIONS

(in combination with VLSL3...., VLSL4...., VLSL5....)

- Streetlight
- Internal lighting in buildings
- Tunnel lights
- General lighting application

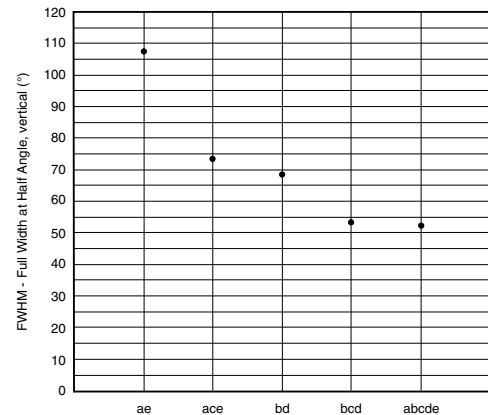
PRODUCT GROUP AND PACKAGE DATA

- Product group: LED
- Package: LED module
- Product series: power



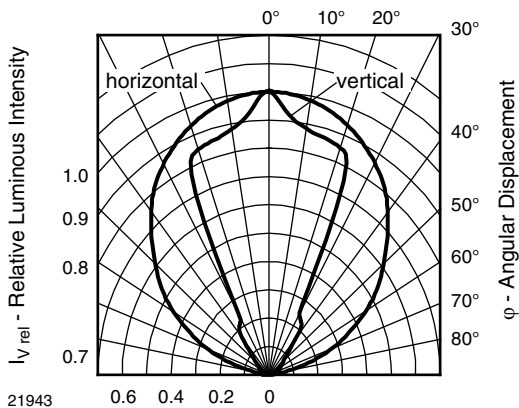
21979

Fig. 1 - PCB with all Reflectors



21980

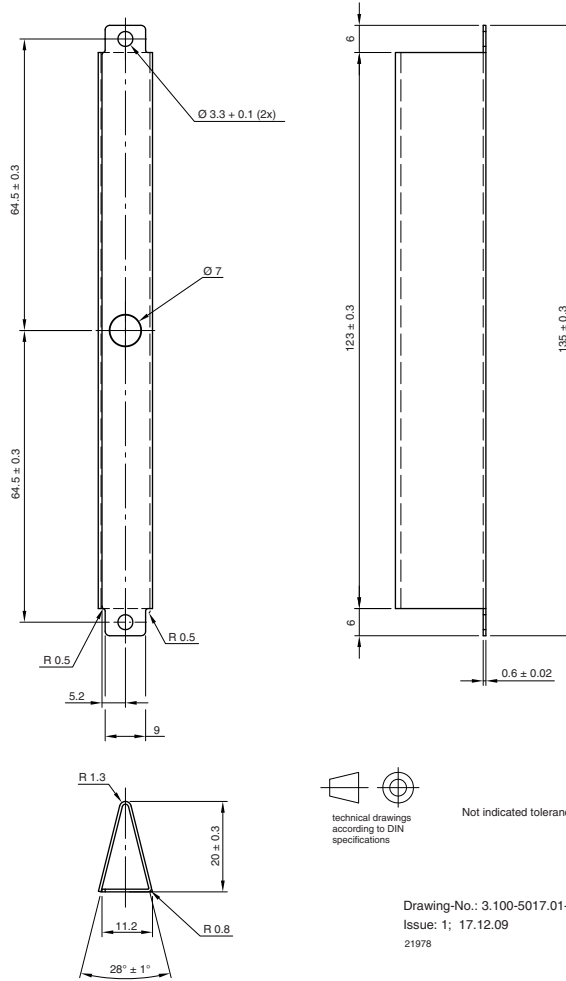
Fig. 3 - Emission Angle vs. Reflector Combination



21943

Fig. 2 - Emission Characteristics all 5 Reflectors in Use

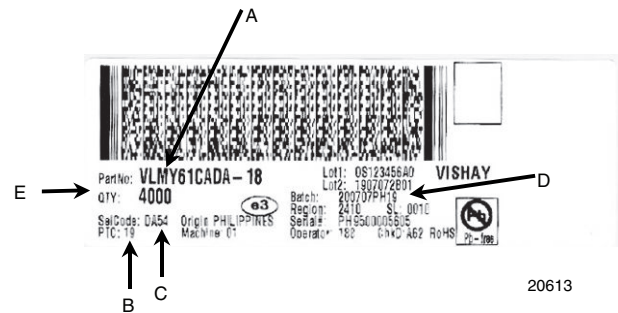
PACKAGE DIMENSIONS in millimeters



PACKING INFORMATION

- 120 reflectors per box
- Minimum order quantity 120 pcs

BAR CODE PRODUCT LABEL



- A. Type of component
- B. Manufacturing plant
- C. SEL - selection code (bin):
e.g.: DA = code for luminous intensity group
5 = code for color group
- D. Batch:
200707 = year 2007, week 07
PH19 = plant code
- E. Total quantity

单击下面可查看定价，库存，交付和生命周期等信息

[>>Vishay\(威世\)](#)