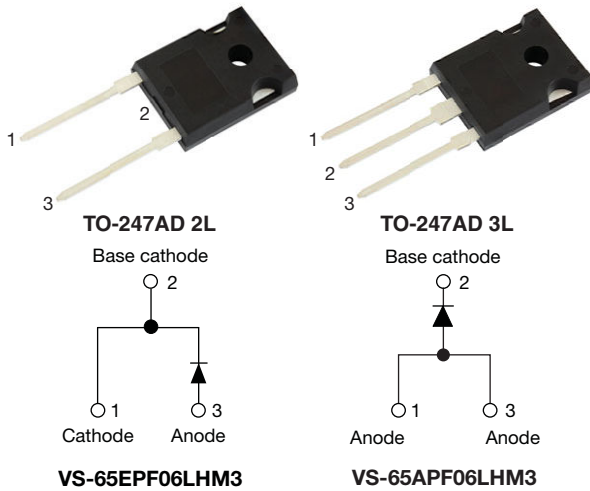


## Fast Soft Recovery Rectifier Diode, 65 A



### FEATURES

- Very low forward voltage drop
- Glass passivated pellet chip junction
- AEC-Q101 qualified meets JESD 201 class 1A whisker test
- Flexible solution for reliable AC power rectification
- High surge, low  $V_F$  rugged blocking diode for DC charging stations
- Material categorization: for definitions of compliance please see [www.vishay.com/doc?99912](http://www.vishay.com/doc?99912)



**RoHS**  
COMPLIANT  
HALOGEN  
**FREE**

### APPLICATIONS

- On-board and off-board EV / HEV battery chargers
- Renewable energy inverters

### DESCRIPTION

High voltage rectifiers optimized for very low forward voltage drop with moderate leakage, and short reverse recovery time.

These devices are intended for use in main rectification (single or three phase bridge)

| PRIMARY CHARACTERISTICS |                          |
|-------------------------|--------------------------|
| $I_{F(AV)}$             | 65 A                     |
| $V_R$                   | 600 V                    |
| $V_F$ at $I_F$          | 1.32 V                   |
| $I_{FSM}$               | 830 A                    |
| $t_{rr}$                | 70 ns                    |
| $T_J$ max.              | 150 °C                   |
| Package                 | TO-247AD 2L, TO-247AD 3L |
| Circuit configuration   | Single                   |
| Snap factor             | 0.5                      |

| MAJOR RATINGS AND CHARACTERISTICS |                      |             |       |
|-----------------------------------|----------------------|-------------|-------|
| SYMBOL                            | CHARACTERISTICS      | VALUES      | UNITS |
| $I_{F(AV)}$                       | Sinusoidal waveform  | 65          | A     |
| $V_{RRM}$                         |                      | 600         | V     |
| $I_{FSM}$                         |                      | 830         | A     |
| $t_{rr}$                          | 1 A, 100 A / $\mu$ s | 70          | ns    |
| $V_F$                             | 30 A, $T_J = 25$ °C  | 1.1         | V     |
| $T_J$                             |                      | -40 to +150 | °C    |

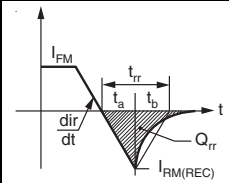
| VOLTAGE RATINGS |   |  |                           |
|-----------------|---|--|---------------------------|
| PART NUMBER     | $V_{RRM}$ : MAXIMUM PEAK REVERSE VOLTAGE<br>V | $V_{RSM}$ : MAXIMUM NON-REPETITIVE PEAK REVERSE VOLTAGE<br>V | $I_{RRM}$ AT 150 °C<br>mA |
| VS-65EPF06LHM3  | 600   | 700  | 16                        |
| VS-65APF06LHM3  | 600   | 700  |                           |



| ABSOLUTE MAXIMUM RATINGS                            |               |  |        |               |
|---|---------------|--|--------|---------------|
| PARAMETER   | SYMBOL        | TEST CONDITIONS  | VALUES | UNITS         |
| Maximum average forward current                     | $I_{F(AV)}$   | $T_C = 117\text{ }^\circ\text{C}$ , 180° conduction half sine wave | 65     | A             |
| Maximum peak one cycle non-repetitive surge current | $I_{FSM}$     | 10 ms sine pulse, rated $V_{RRM}$ applied                          | 700    |               |
|   |               | 10 ms sine pulse, no voltage reapplied                             | 830    |               |
| Maximum $I^2t$ for fusing                           | $I^2t$        | 10 ms sine pulse, rated $V_{RRM}$ applied                          | 2450   | $A^2s$        |
|   |               | 10 ms sine pulse, no voltage reapplied                             | 3460   |               |
| Maximum $I^2\sqrt{t}$ for fusing                    | $I^2\sqrt{t}$ | $t = 0.1\text{ ms to }10\text{ ms}$ , no voltage reapplied         | 34 600 | $A^2\sqrt{s}$ |

| ELECTRICAL SPECIFICATIONS       |             |  |        |           |
|---------------------------------|-------------|--|--------|-----------|
| PARAMETER                       | SYMBOL      | TEST CONDITIONS                        | VALUES | UNITS     |
| Maximum forward voltage drop    | $V_{FM}$    | 65 A, $T_J = 25\text{ }^\circ\text{C}$ | 1.32   | V         |
| Forward slope resistance        | $r_t$       | $T_J = 150\text{ }^\circ\text{C}$      | 5.0    | $m\Omega$ |
| Threshold voltage               | $V_{F(TO)}$ |  | 0.88   | V         |
| Maximum reverse leakage current | $I_{RM}$    | $T_J = 25\text{ }^\circ\text{C}$       | 0.1    | mA        |
|                                 |             | $T_J = 150\text{ }^\circ\text{C}$      | 16     |           |

| RECOVERY CHARACTERISTICS |          |   |         |         |
|--------------------------|----------|---|---------|---------|
| PARAMETER                | SYMBOL   | TEST CONDITIONS                                       | VALUES  | UNITS   |
| Reverse recovery time    | $t_{rr}$ | $I_F$ at 60 A <sub>pk</sub><br>25 A/ $\mu$ s<br>25 °C | 180     | ns      |
| Reverse recovery current | $I_{rr}$ |   | 3.4     | A       |
| Reverse recovery charge  | $Q_{rr}$ |   | 0.5     | $\mu$ C |
| Snap factor              | S        |   | Typical | 0.5     |



| THERMAL - MECHANICAL SPECIFICATIONS             |                |                                       |             |  |
|---|----------------|---------------------------------------|-------------|--|
| PARAMETER                                       | SYMBOL         | TEST CONDITIONS                       | VALUES      | UNITS  |
| Maximum junction and storage temperature range  | $T_J, T_{Stg}$ |                                       | -40 to +150 | $^\circ\text{C}$   |
| Maximum thermal resistance, junction to case    | $R_{thJC}$     | DC operation                          | 0.25        | $^\circ\text{C/W}$   |
| Maximum thermal resistance, junction to ambient | $R_{thJA}$     |                                       | 40          |  |
| Typical thermal resistance, case to heatsink    | $R_{thCS}$     | Mounting surface, smooth, and greased | 0.25        |  |
| Approximate weight                              |                |                                       | 6           | g  |
|   |                |                                       | 0.21        | oz.  |
| Mounting torque                                 | minimum        |                                       | 6 (5)       | $\text{kgf} \cdot \text{cm}$<br>( $\text{lbf} \cdot \text{in}$ ) |
|   | maximum        |                                       | 12 (10)     |  |
| Marking device                                  |                | Case style TO-247AD 2L                | 65EPF06LH   |  |
|   |                | Case style TO-247AD 3L                | 65APF06LH   |  |

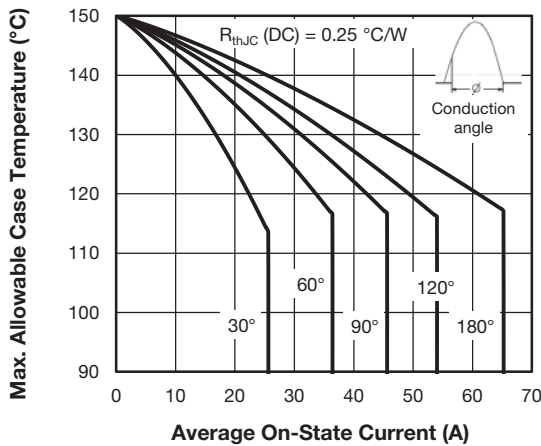


Fig. 1 - Current Rating Characteristics

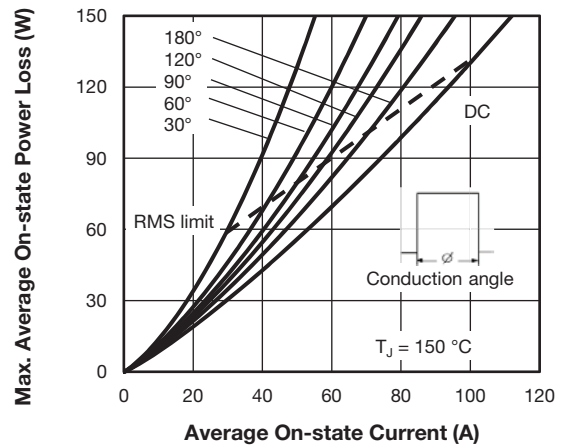


Fig. 4 - Forward Power Loss Characteristics

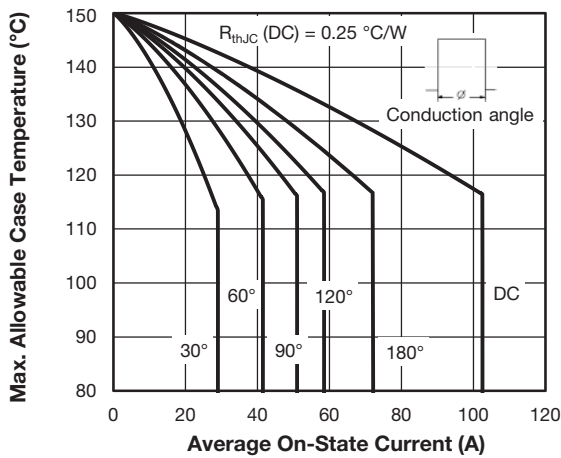


Fig. 2 - Current Rating Characteristics

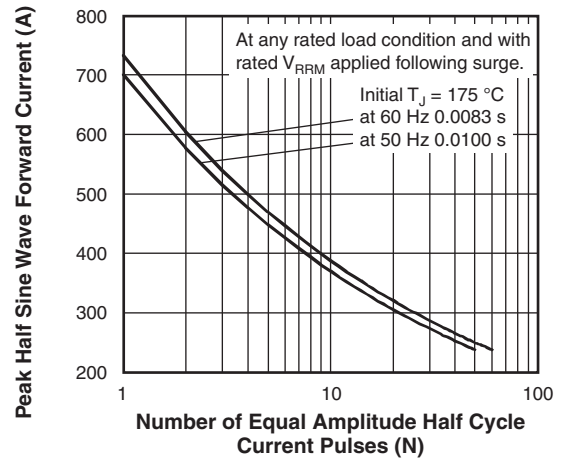


Fig. 5 - Maximum Non-Repetitive Surge Current

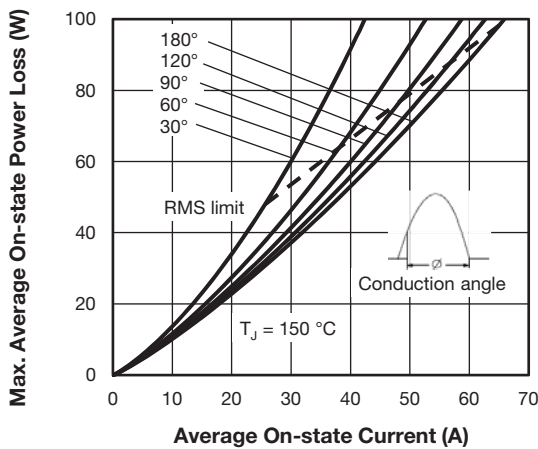


Fig. 3 - Forward Power Loss Characteristics

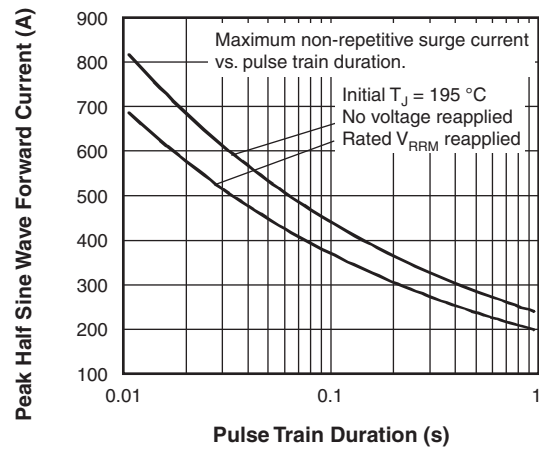


Fig. 6 - Maximum Non-Repetitive Surge Current

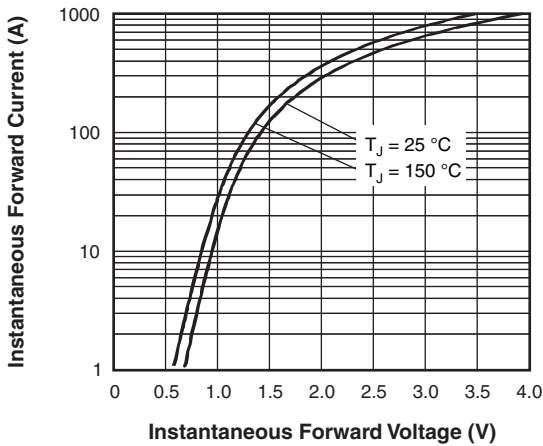


Fig. 7 - Forward Voltage Drop Characteristics

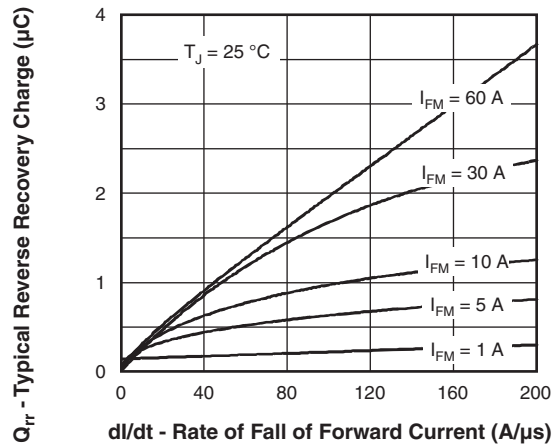


Fig. 10 - Recovery Charge Characteristics,  $T_J = 25\text{ }^\circ\text{C}$

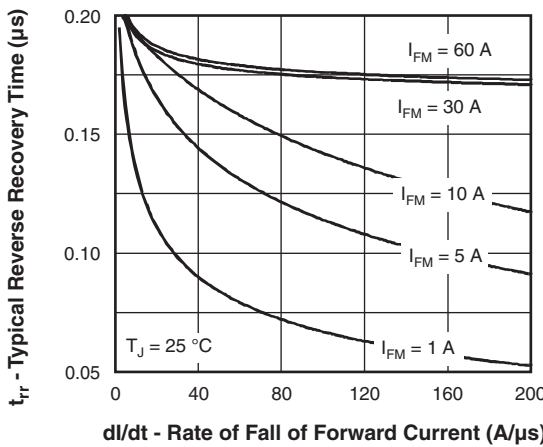


Fig. 8 - Thermal Impedance  $Z_{thJC}$  Characteristics

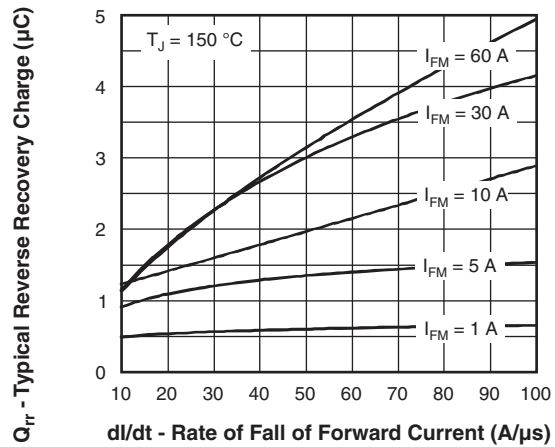


Fig. 11 - Recovery Charge Characteristics,  $T_J = 150\text{ }^\circ\text{C}$

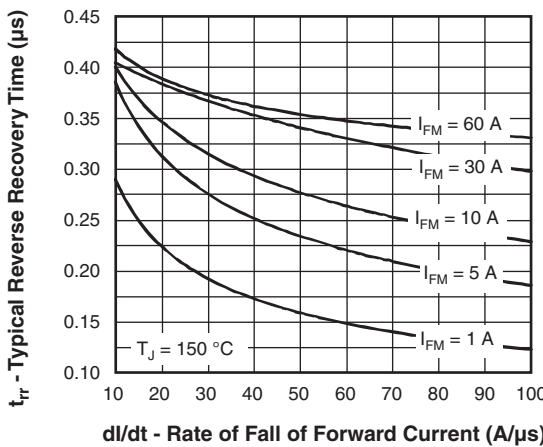


Fig. 9 - Recovery Time Characteristics,  $T_J = 150\text{ }^\circ\text{C}$

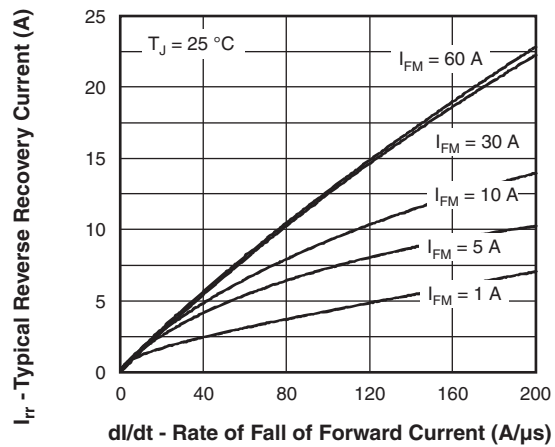


Fig. 12 - Recovery Current Characteristics,  $T_J = 25\text{ }^\circ\text{C}$

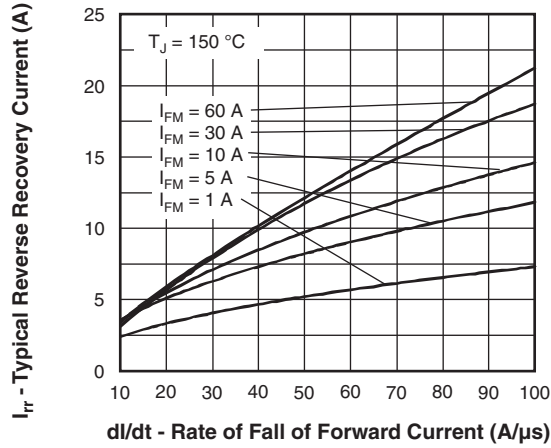


Fig. 13 - Recovery Current Characteristics,  $T_J = 150\text{ }^\circ\text{C}$

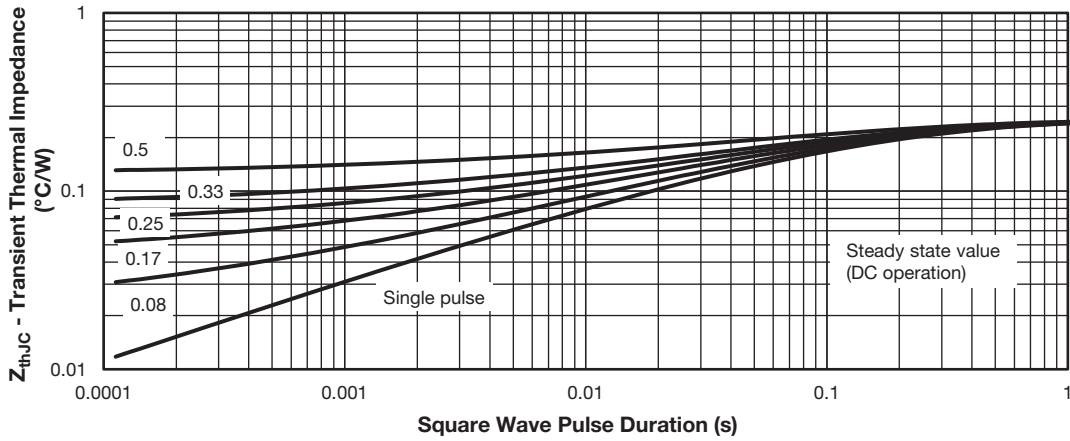
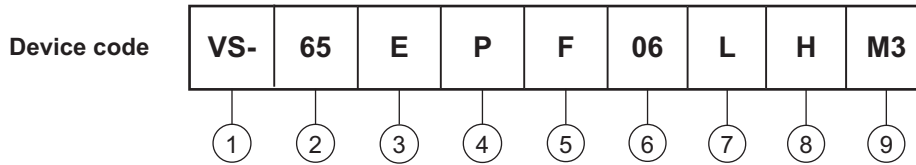


Fig. 14 - Thermal Impedance  $Z_{thJC}$  Characteristics



## ORDERING INFORMATION TABLE



- 1** - Vishay Semiconductors product
- 2** - Current rating (65 = 65 A)
- 3** - Circuit configuration:  
E = single, 2 pins  
A = single, 3 pins
- 4** - Package:  
P = TO-247AD
- 5** - Type of silicon:  
F = fast recovery rectifier
- 6** - Voltage code x 100 =  $V_{RRM}$  ————— **06 = 600 V**
- 7** - L = long leads
- 8** - H = AEC-Q101 qualified
- 9** - Environmental digit:  
M3 = halogen-free, RoHS-compliant, and terminations lead (Pb)-free

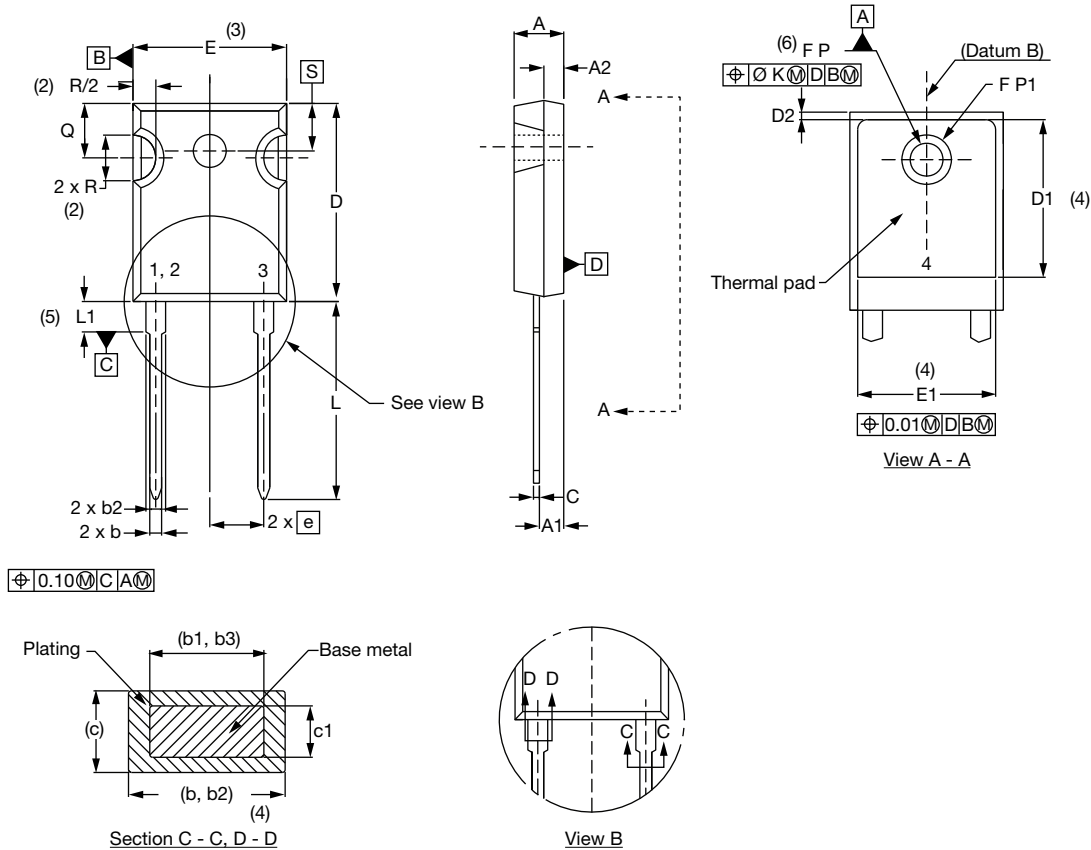
| ORDERING INFORMATION (Example) |                  |                        |                          |
|--------------------------------|------------------|------------------------|--------------------------|
| PREFERRED P/N                  | QUANTITY PER T/R | MINIMUM ORDER QUANTITY | PACKAGING DESCRIPTION    |
| VS-65EPF06LHM3                 | 25               | 500                    | Antistatic plastic tubes |
| VS-65APF06LHM3                 | 25               | 500                    | Antistatic plastic tubes |

| LINKS TO RELATED DOCUMENTS |             |  |
|----------------------------|-------------|--|
| Dimensions                 | TO-247AD 2L | <a href="http://www.vishay.com/doc?95536">www.vishay.com/doc?95536</a> |
|                            | TO-247AD 3L | <a href="http://www.vishay.com/doc?95626">www.vishay.com/doc?95626</a> |
| Part marking information   | TO-247AD 2L | <a href="http://www.vishay.com/doc?95648">www.vishay.com/doc?95648</a> |
|                            | TO-247AD 3L | <a href="http://www.vishay.com/doc?95007">www.vishay.com/doc?95007</a> |



# TO-247AD 2L

**DIMENSIONS** in millimeters and inches



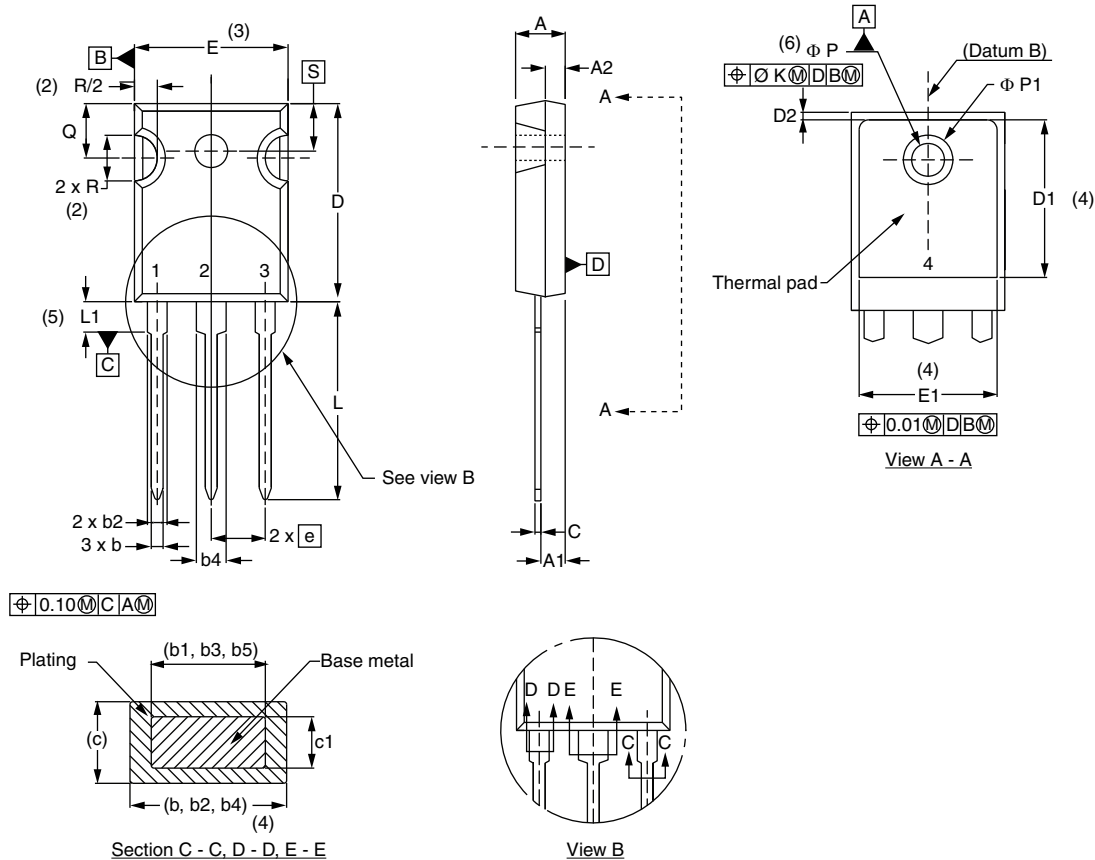
| SYMBOL | MILLIMETERS |       | INCHES |       | NOTES | SYMBOL    | MILLIMETERS |       | INCHES    |       | NOTES |
|--------|-------------|-------|--------|-------|-------|-----------|-------------|-------|-----------|-------|-------|
|        | MIN.        | MAX.  | MIN.   | MAX.  |       |           | MIN.        | MAX.  | MIN.      | MAX.  |       |
| A      | 4.65        | 5.31  | 0.183  | 0.209 |       | E         | 15.29       | 15.87 | 0.602     | 0.625 | 3     |
| A1     | 2.21        | 2.59  | 0.087  | 0.102 |       | E1        | 13.46       | -     | 0.53      | -     |       |
| A2     | 1.50        | 2.49  | 0.059  | 0.098 |       | e         | 5.46 BSC    |       | 0.215 BSC |       |       |
| b      | 0.99        | 1.40  | 0.039  | 0.055 |       | $\phi K$  | 0.254       |       | 0.010     |       |       |
| b1     | 0.99        | 1.35  | 0.039  | 0.053 |       | L         | 19.81       | 20.32 | 0.780     | 0.800 |       |
| b2     | 1.65        | 2.39  | 0.065  | 0.094 |       | L1        | 3.71        | 4.29  | 0.146     | 0.169 |       |
| b3     | 1.65        | 2.34  | 0.065  | 0.092 |       | $\phi P$  | 3.56        | 3.66  | 0.14      | 0.144 |       |
| c      | 0.38        | 0.89  | 0.015  | 0.035 |       | $\phi P1$ | -           | 6.98  | -         | 0.275 |       |
| c1     | 0.38        | 0.84  | 0.015  | 0.033 |       | Q         | 5.31        | 5.69  | 0.209     | 0.224 |       |
| D      | 19.71       | 20.70 | 0.776  | 0.815 | 3     | R         | 4.52        | 5.49  | 0.178     | 0.216 |       |
| D1     | 13.08       | -     | 0.515  | -     | 4     | S         | 5.51 BSC    |       | 0.217 BSC |       |       |
| D2     | 0.51        | 1.35  | 0.020  | 0.053 |       |           |             |       |           |       |       |

**Notes**

- (1) Dimensioning and tolerancing per ASME Y14.5M-1994
- (2) Contour of slot optional
- (3) Dimension D and E do not include mold flash. These dimensions are measured at the outermost extremes of the plastic body
- (4) Thermal pad contour optional with dimensions D1 and E1
- (5) Lead finish uncontrolled in L1
- (6)  $\phi P$  to have a maximum draft angle of 1.5 to the top of the part with a maximum hole diameter of 3.91 mm (0.154")
- (7) Outline conforms to JEDEC® outline TO-247 with exception of dimension A min., D, E min., Q min., S, and note 4

### TO-247AD 3L

**DIMENSIONS** in millimeters and inches



| SYMBOL | MILLIMETERS |       | INCHES |       | NOTES | SYMBOL | MILLIMETERS |       | INCHES    |       | NOTES |
|--------|-------------|-------|--------|-------|-------|--------|-------------|-------|-----------|-------|-------|
|        | MIN.        | MAX.  | MIN.   | MAX.  |       |        | MIN.        | MAX.  | MIN.      | MAX.  |       |
| A      | 4.65        | 5.31  | 0.183  | 0.209 |       | D2     | 0.51        | 1.30  | 0.020     | 0.051 |       |
| A1     | 2.21        | 2.59  | 0.087  | 0.102 |       | E      | 15.29       | 15.87 | 0.602     | 0.625 | 3     |
| A2     | 1.50        | 2.49  | 0.059  | 0.098 |       | E1     | 13.46       | -     | 0.53      | -     |       |
| b      | 0.99        | 1.40  | 0.039  | 0.055 |       | e      | 5.46 BSC    |       | 0.215 BSC |       |       |
| b1     | 0.99        | 1.35  | 0.039  | 0.053 |       | Ø K    | 0.254       |       | 0.010     |       |       |
| b2     | 1.65        | 2.39  | 0.065  | 0.094 |       | L      | 19.81       | 20.32 | 0.780     | 0.800 |       |
| b3     | 1.65        | 2.34  | 0.065  | 0.092 |       | L1     | 3.71        | 4.29  | 0.146     | 0.169 |       |
| b4     | 2.59        | 3.43  | 0.102  | 0.135 |       | Ø P    | 3.56        | 3.66  | 0.14      | 0.144 |       |
| b5     | 2.59        | 3.38  | 0.102  | 0.133 |       | Ø P1   | -           | 6.98  | -         | 0.275 |       |
| c      | 0.38        | 0.89  | 0.015  | 0.035 |       | Q      | 5.31        | 5.69  | 0.209     | 0.224 |       |
| c1     | 0.38        | 0.84  | 0.015  | 0.033 |       | R      | 4.52        | 5.49  | 0.178     | 0.216 |       |
| D      | 19.71       | 20.70 | 0.776  | 0.815 | 3     | S      | 5.51 BSC    |       | 0.217 BSC |       |       |
| D1     | 13.08       | -     | 0.515  | -     | 4     |        |             |       |           |       |       |

**Notes**

- (1) Dimensioning and tolerancing per ASME Y14.5M-1994
- (2) Contour of slot optional
- (3) Dimension D and E do not include mold flash. These dimensions are measured at the outermost extremes of the plastic body
- (4) Thermal pad contour optional with dimensions D1 and E1
- (5) Lead finish uncontrolled in L1
- (6) Ø P to have a maximum draft angle of 1.5 to the top of the part with a maximum hole diameter of 3.91 mm (0.154")
- (7) Outline conforms to JEDEC® outline TO-247 with exception of dimension A min., D, E min., Q min., S, and note 4





## Disclaimer

ALL PRODUCT, PRODUCT SPECIFICATIONS AND DATA ARE SUBJECT TO CHANGE WITHOUT NOTICE TO IMPROVE RELIABILITY, FUNCTION OR DESIGN OR OTHERWISE.

Vishay Intertechnology, Inc., its affiliates, agents, and employees, and all persons acting on its or their behalf (collectively, "Vishay"), disclaim any and all liability for any errors, inaccuracies or incompleteness contained in any datasheet or in any other disclosure relating to any product.

Vishay makes no warranty, representation or guarantee regarding the suitability of the products for any particular purpose or the continuing production of any product. To the maximum extent permitted by applicable law, Vishay disclaims (i) any and all liability arising out of the application or use of any product, (ii) any and all liability, including without limitation special, consequential or incidental damages, and (iii) any and all implied warranties, including warranties of fitness for particular purpose, non-infringement and merchantability.

Statements regarding the suitability of products for certain types of applications are based on Vishay's knowledge of typical requirements that are often placed on Vishay products in generic applications. Such statements are not binding statements about the suitability of products for a particular application. It is the customer's responsibility to validate that a particular product with the properties described in the product specification is suitable for use in a particular application. Parameters provided in datasheets and / or specifications may vary in different applications and performance may vary over time. All operating parameters, including typical parameters, must be validated for each customer application by the customer's technical experts. Product specifications do not expand or otherwise modify Vishay's terms and conditions of purchase, including but not limited to the warranty expressed therein.

Hyperlinks included in this datasheet may direct users to third-party websites. These links are provided as a convenience and for informational purposes only. Inclusion of these hyperlinks does not constitute an endorsement or an approval by Vishay of any of the products, services or opinions of the corporation, organization or individual associated with the third-party website. Vishay disclaims any and all liability and bears no responsibility for the accuracy, legality or content of the third-party website or for that of subsequent links.

Except as expressly indicated in writing, Vishay products are not designed for use in medical, life-saving, or life-sustaining applications or for any other application in which the failure of the Vishay product could result in personal injury or death. Customers using or selling Vishay products not expressly indicated for use in such applications do so at their own risk. Please contact authorized Vishay personnel to obtain written terms and conditions regarding products designed for such applications.

No license, express or implied, by estoppel or otherwise, to any intellectual property rights is granted by this document or by any conduct of Vishay. Product names and markings noted herein may be trademarks of their respective owners.

单击下面可查看定价，库存，交付和生命周期等信息

[>>Vishay\(威世\)](#)