

High-Speed Quad Monolithic SPST CMOS Analog Switch

DESCRIPTION

The DG271B high speed quad single-pole single-throw analog switch is intended for applications that require low on-resistance, low leakage currents, and fast switching speeds.

Built on the Vishay Siliconix' proprietary high voltage silicon gate process to achieve superior on/off performance, each switch conducts equally well in both directions when on, and blocks up to the supply voltage when off. An epitaxial layer prevents latchup.

The DG271B has a redesign internal regulator which improves start-up over the DG271.

As a committed partner to the community and the environment, Vishay Siliconix manufactures this product with the lead (Pb)-free device terminations. For analog switching products manufactured with 100 % matte tin device terminations, the lead (Pb)-free "-E3" suffix is being used as a designator.

FEATURES

- Fast switching t_{ON} : 55 ns
- Low charge injection: 5 pC
- Low $r_{DS(on)}$: 32 Ω
- TTL/CMOS compatible
- Low leakage: 50 pA

BENEFITS

- Fast settling times
- Reduced switching glitches
- High precision

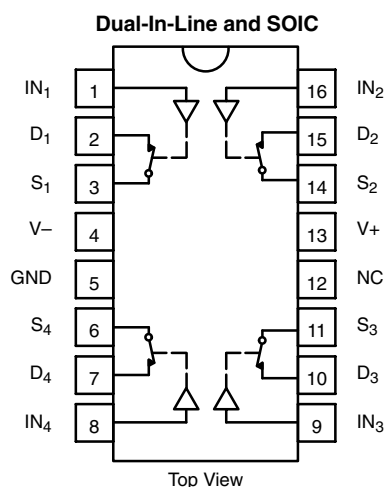
APPLICATIONS

- High-speed switching
- Sample/hold
- Digital filters
- Op amp gain switching
- Flight control systems
- Automatic test equipment
- Choppers
- Communication systems



Available
RoHS*
COMPLIANT

FUNCTIONAL BLOCK DIAGRAM AND PIN CONFIGURATION



| TRUTH TABLE | |
|-------------|--------|
| Logic | Switch |
| 0 | ON |
| 1 | OFF |

Logic "0" ≤ 0.8 V
Logic "1" ≥ 2.4 V

* Pb containing terminations are not RoHS compliant, exemptions may apply.



| ORDERING INFORMATION | | |
|----------------------|--------------------|-------------------------------------|
| Temp. Range | Package | Part Number |
| 0 °C to 70 °C | 16-Pin Plastic DIP | DG271BCJ-E3 |
| - 40 °C to 85 °C | 16-Pin Narrow SOIC | DG271BDY-E3 |
| | | DG271BDY-T1-E3 (with Tape and Reel) |

| ABSOLUTE MAXIMUM RATINGS $T_A = 25\text{ °C}$, unless otherwise noted | | | |
|--|--|-------------|----|
| Parameter | Limit | Unit | |
| V+ to V- | 44 | V | |
| GND to V- | 25 | | |
| Digital Inputs ^a V_S, V_D | (V-) - 2 to (V+) + 2 or 20 mA, whichever occurs first | | |
| Current, Any Terminal | 30 | mA | |
| Peak Current, S or D (Pulsed at 1 ms, 10 % duty cycle max.) | 100 | | |
| Storage Temperature | (DY Suffix) | - 65 to 150 | °C |
| | (CJ Suffix) | - 65 to 125 | |
| Power Dissipation (Package) ^b | 16-Pin Plastic DIP ^c | 470 | mW |
| | 16-Pin Plastic Narrow SOIC ^d | 600 | |

Notes:

- a. Signals on $S_X, D_X,$ or IN_X exceeding V+ or V- will be clamped by internal diodes. Limit forward diode current to maximum current ratings.
- b. All leads welded or soldered to PC board.
- c. Derate 6.5 mW/°C above 75 °C.
- d. Derate 7.6 mW/°C above 75 °C.



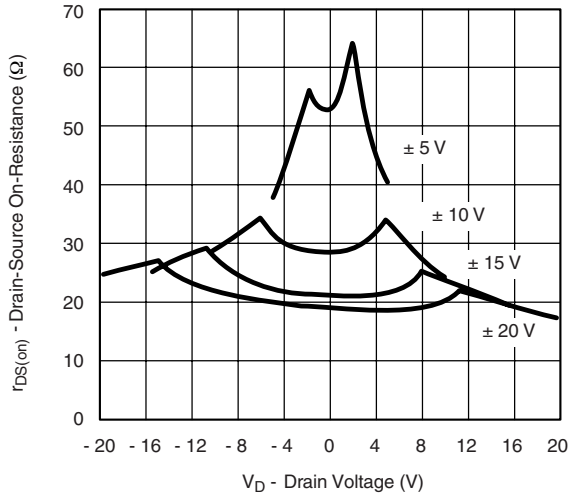
| SPECIFICATIONS ^a | | | | | | | |
|----------------------------------|---|--|--------------------|--|-------------------|-------------------|------|
| Parameter | Symbol | Test Conditions Unless Specified V ₊ = 15 V, V ₋ = - 15 V V _{IN} = 2.4 V, 0.8 V ^f | Temp. ^a | C, D Suffix 0 °C to 70 °C - 40 °C to 85 °C | | | Unit |
| | | | | Min. ^d | Typ. ^c | Max. ^d | |
| Analog Switch | | | | | | | |
| Analog Signal Range ^e | V _{ANALOG} | | Full | - 15 | | 15 | V |
| Drain-Source On-Resistance | r _{DS(on)} | I _S = 1 mA, V _D = ± 10 V | Room Full | | 32 | 50 75 | Ω |
| Switch Off Leakage Current | I _{S(off)} | V _D = ± 14 V, V _S = ± 14 V | Room Full | - 1 - 20 | ± 0.05 | 1 20 | nA |
| | I _{D(off)} | | Room Full | - 1 - 20 | ± 0.05 | 1 20 | |
| Channel On Leakage Current | I _{D(on)} ⁺ I _{S(on)} | V _S = V _D = 14 V | Room Full | - 1 - 20 | ± 0.05 | 1 20 | |
| Digital Control | | | | | | | |
| Input Current with Voltage High | I _{INH} | V _{IN} = 2 V | Full | - 1 | 0.010 | 1 | μA |
| | | V _{IN} = 15 V | Full | - 1 | 0.010 | 1 | |
| Input Current with Voltage Low | I _{INL} | V _{IN} = 0 V | Full | - 1 | 0.010 | 1 | |
| Dynamic Characteristics | | | | | | | |
| Turn-On Time | t _{ON} | V _S = ± 10 V See Figure 3 | Room Full | | 55 | 65 80 | ns |
| Turn-Off Time | t _{OFF} | | Room Full | | 50 | 65 80 | |
| Charge Injection | Q | C _L = 1 nF, V _S = 0 V, V _{gen} = 0 V, R _{gen} = 0 Ω See Figure 3 | Room | | - 5 | | pC |
| Source-Off Capacitance | C _{S(off)} | V _S = 0 V, V _{IN} = 5 V f = 1 MHz | Room | | 8 | | pF |
| Drain-Off Capacitance | C _{D(off)} | | Room | | 8 | | |
| Channel On Capacitance | C _{D(on)} | V _D = V _S = 0 V, V _{IN} = 0 V | Room | | 30 | | |
| Off-Isolation | OIRR | C _L = 10 pF, R _L = 1 kΩ f = 100 kHz, See Figures 4 and 5 | Room | | 85 | | dB |
| Crosstalk | X _{TALK} | | Room | | 100 | | |
| Power Supply | | | | | | | |
| Positive Supply Current | I ₊ | All Channels On or Off V _{IN} = 5 V or 0 V | Room Full | | 5.5 | 7.5 9 | mA |
| Negative Supply Current | I ₋ | | Room Full | - 6 - 8 | - 3.4 | | |

Notes :

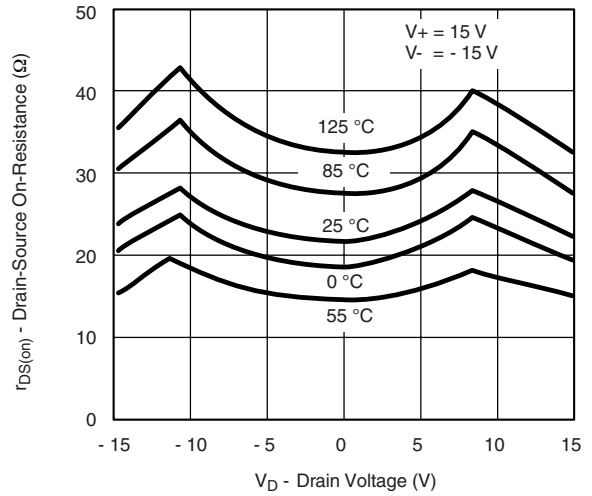
- a. Refer to PROCESS OPTION FLOWCHART.
- b. Room = 25 °C, Full = as determined by the operating temperature suffix.
- c. Typical values are for DESIGN AID ONLY, not guaranteed nor subject to production testing.
- d. The algebraic convention whereby the most negative value is a minimum and the most positive a maximum, is used in this data sheet.
- e. Guaranteed by design, not subject to production test.
- f. V_{IN} = input voltage to perform proper function.

Stresses beyond those listed under "Absolute Maximum Ratings" may cause permanent damage to the device. These are stress ratings only, and functional operation of the device at these or any other conditions beyond those indicated in the operational sections of the specifications is not implied. Exposure to absolute maximum rating conditions for extended periods may affect device reliability.

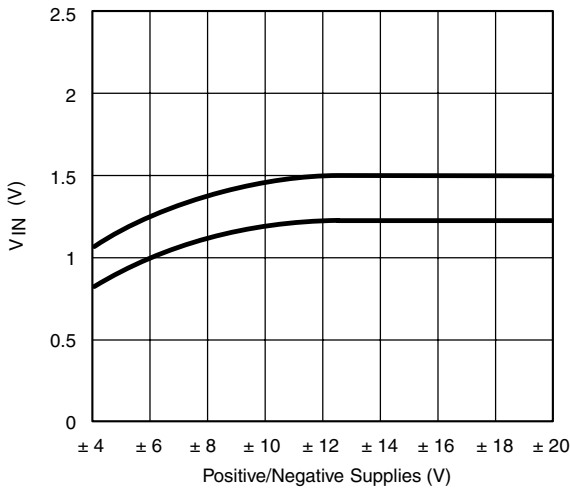
TYPICAL CHARACTERISTICS 25 °C, unless otherwise noted



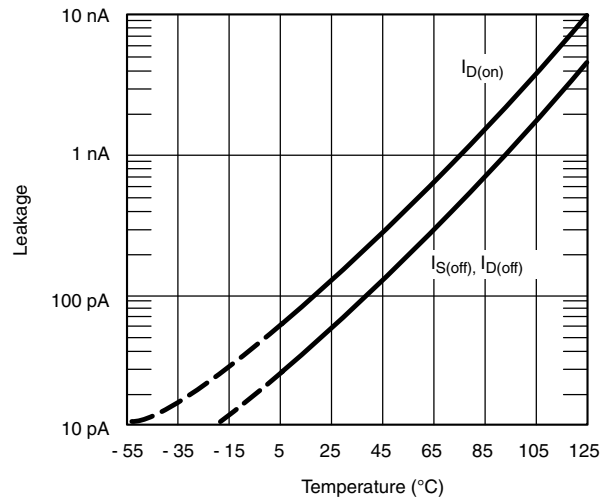
$r_{DS(on)}$ vs. V_D and Power Supply Voltages



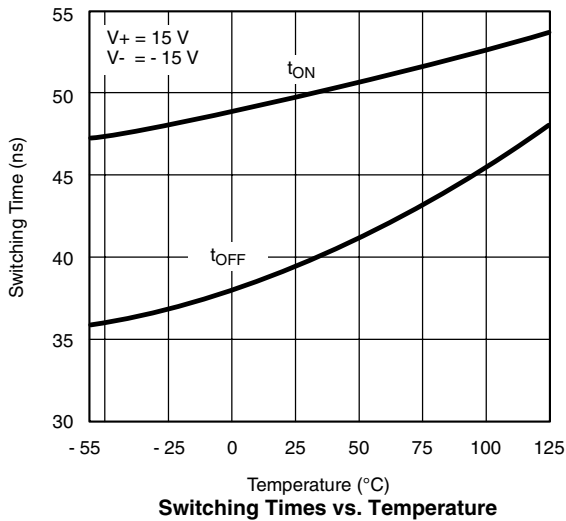
$r_{DS(on)}$ vs. V_D and Temperature



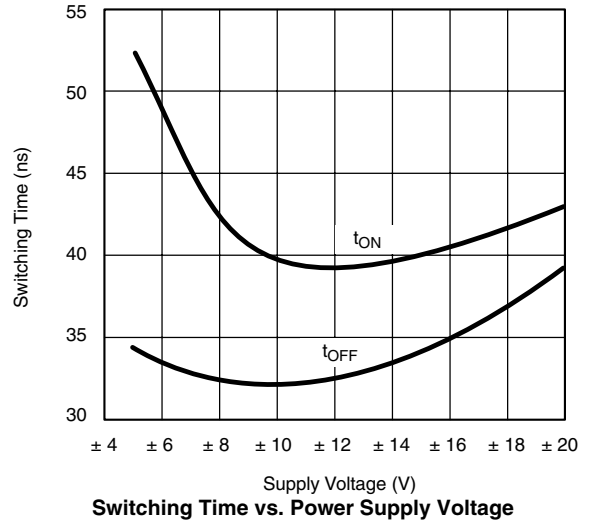
Input Switching Threshold vs. Supply Voltage



Leakage Currents vs. Temperature



Switching Times vs. Temperature



Switching Time vs. Power Supply Voltage

SCHEMATIC DIAGRAM Typical Channel

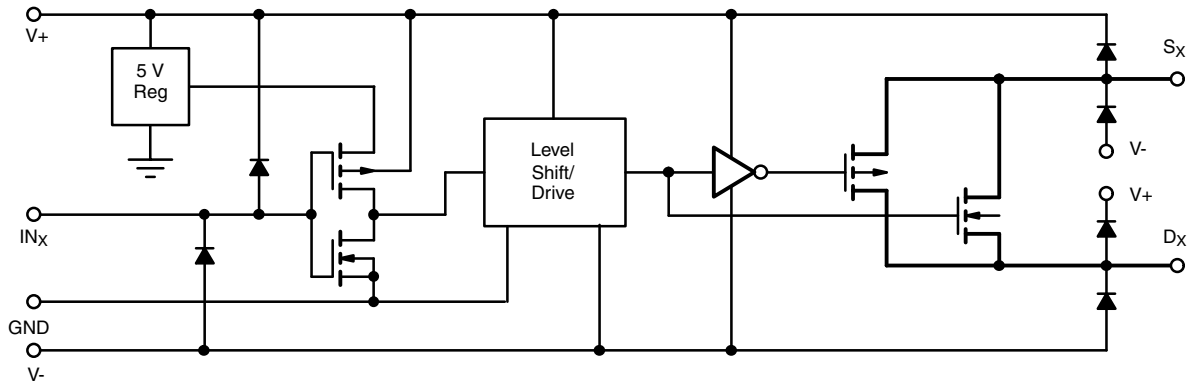


Figure 1.

TEST CIRCUITS

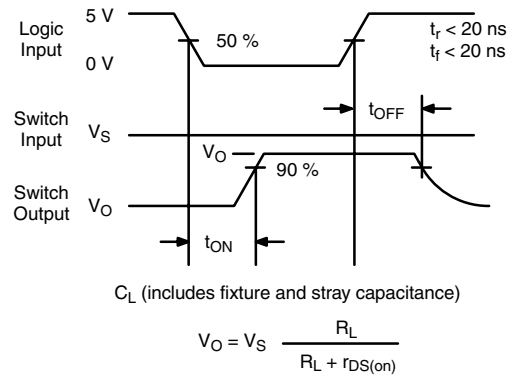
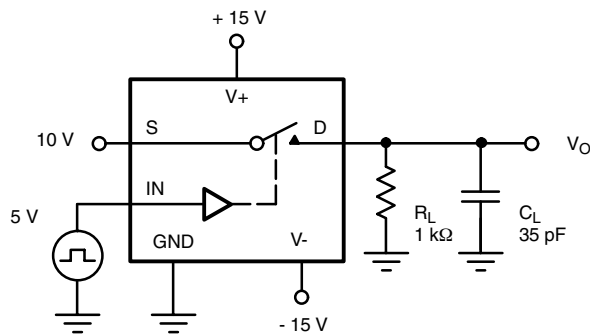
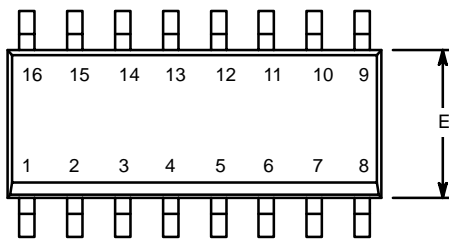


Figure 2. Switching Time

Vishay Siliconix maintains worldwide manufacturing capability. Products may be manufactured at one of several qualified locations. Reliability data for Silicon Technology and Package Reliability represent a composite of all qualified locations. For related documents such as package/tape drawings, part marking, and reliability data, see <http://www.vishay.com/ppg?70966>.

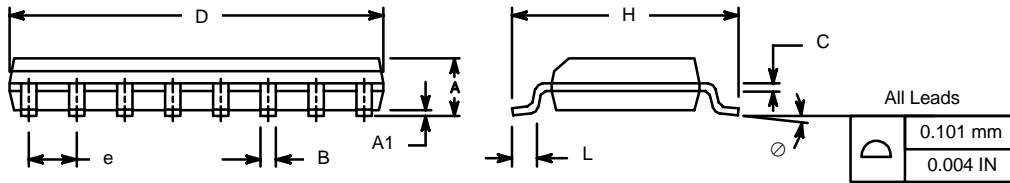


SOIC (NARROW): 16-LEAD
JEDEC Part Number: MS-012



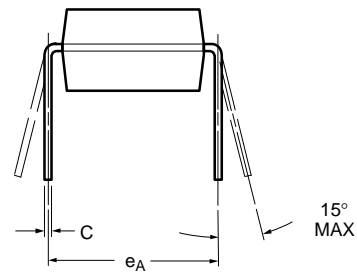
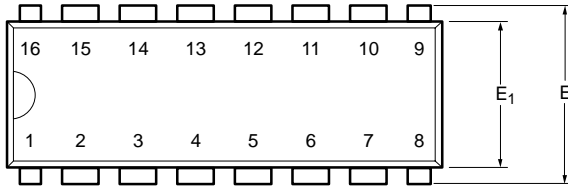
| Dim | MILLIMETERS | | INCHES | |
|----------------|-------------|-------|-----------|-------|
| | Min | Max | Min | Max |
| A | 1.35 | 1.75 | 0.053 | 0.069 |
| A ₁ | 0.10 | 0.20 | 0.004 | 0.008 |
| B | 0.38 | 0.51 | 0.015 | 0.020 |
| C | 0.18 | 0.23 | 0.007 | 0.009 |
| D | 9.80 | 10.00 | 0.385 | 0.393 |
| E | 3.80 | 4.00 | 0.149 | 0.157 |
| e | 1.27 BSC | | 0.050 BSC | |
| H | 5.80 | 6.20 | 0.228 | 0.244 |
| L | 0.50 | 0.93 | 0.020 | 0.037 |
| ∅ | 0° | 8° | 0° | 8° |

ECN: S-03946—Rev. F, 09-Jul-01
DWG: 5300





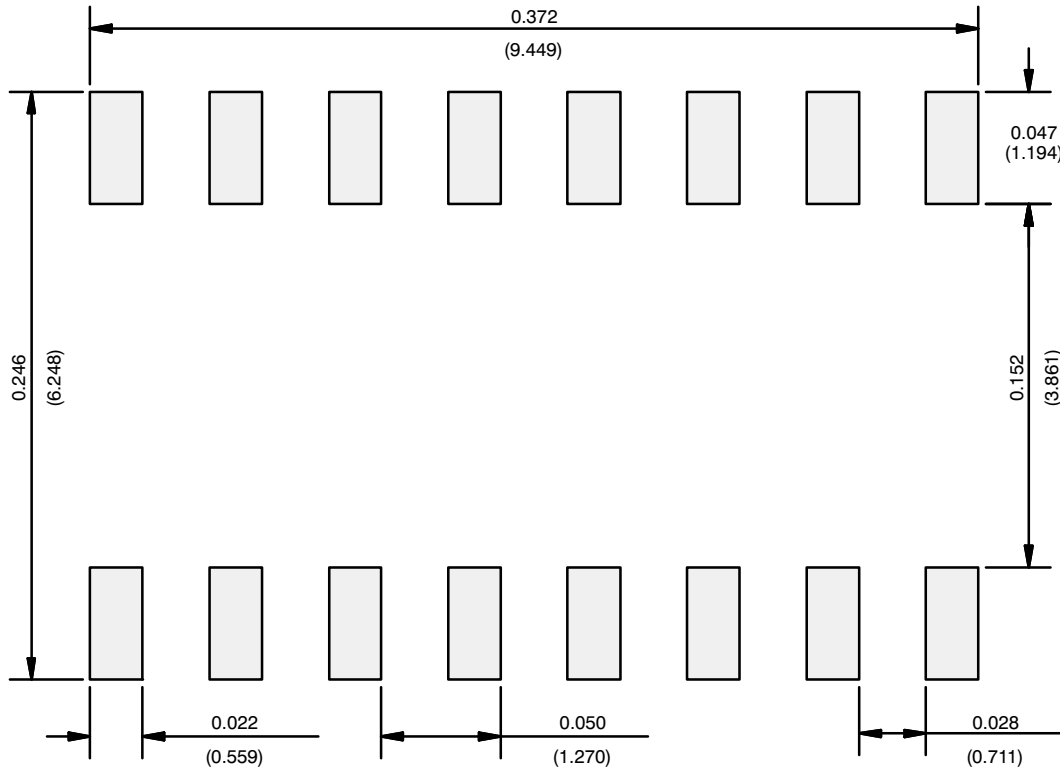
PDIP: 16-LEAD



| Dim | MILLIMETERS | | INCHES | |
|----------------|-------------|-------|--------|-------|
| | Min | Max | Min | Max |
| A | 3.81 | 5.08 | 0.150 | 0.200 |
| A ₁ | 0.38 | 1.27 | 0.015 | 0.050 |
| B | 0.38 | 0.51 | 0.015 | 0.020 |
| B ₁ | 0.89 | 1.65 | 0.035 | 0.065 |
| C | 0.20 | 0.30 | 0.008 | 0.012 |
| D | 18.93 | 21.33 | 0.745 | 0.840 |
| E | 7.62 | 8.26 | 0.300 | 0.325 |
| E ₁ | 5.59 | 7.11 | 0.220 | 0.280 |
| e ₁ | 2.29 | 2.79 | 0.090 | 0.110 |
| e _A | 7.37 | 7.87 | 0.290 | 0.310 |
| L | 2.79 | 3.81 | 0.110 | 0.150 |
| Q ₁ | 1.27 | 2.03 | 0.050 | 0.080 |
| S | 0.38 | 1.52 | .015 | 0.060 |

ECN: S-03946—Rev. D, 09-Jul-01
DWG: 5482

RECOMMENDED MINIMUM PADS FOR SO-16



Recommended Minimum Pads
Dimensions in Inches/(mm)

[Return to Index](#)



Disclaimer

ALL PRODUCT, PRODUCT SPECIFICATIONS AND DATA ARE SUBJECT TO CHANGE WITHOUT NOTICE TO IMPROVE RELIABILITY, FUNCTION OR DESIGN OR OTHERWISE.

Vishay Intertechnology, Inc., its affiliates, agents, and employees, and all persons acting on its or their behalf (collectively, "Vishay"), disclaim any and all liability for any errors, inaccuracies or incompleteness contained in any datasheet or in any other disclosure relating to any product.

Vishay makes no warranty, representation or guarantee regarding the suitability of the products for any particular purpose or the continuing production of any product. To the maximum extent permitted by applicable law, Vishay disclaims (i) any and all liability arising out of the application or use of any product, (ii) any and all liability, including without limitation special, consequential or incidental damages, and (iii) any and all implied warranties, including warranties of fitness for particular purpose, non-infringement and merchantability.

Statements regarding the suitability of products for certain types of applications are based on Vishay's knowledge of typical requirements that are often placed on Vishay products in generic applications. Such statements are not binding statements about the suitability of products for a particular application. It is the customer's responsibility to validate that a particular product with the properties described in the product specification is suitable for use in a particular application. Parameters provided in datasheets and / or specifications may vary in different applications and performance may vary over time. All operating parameters, including typical parameters, must be validated for each customer application by the customer's technical experts. Product specifications do not expand or otherwise modify Vishay's terms and conditions of purchase, including but not limited to the warranty expressed therein.

Except as expressly indicated in writing, Vishay products are not designed for use in medical, life-saving, or life-sustaining applications or for any other application in which the failure of the Vishay product could result in personal injury or death. Customers using or selling Vishay products not expressly indicated for use in such applications do so at their own risk. Please contact authorized Vishay personnel to obtain written terms and conditions regarding products designed for such applications.

No license, express or implied, by estoppel or otherwise, to any intellectual property rights is granted by this document or by any conduct of Vishay. Product names and markings noted herein may be trademarks of their respective owners.

单击下面可查看定价，库存，交付和生命周期等信息

[>>Vishay\(威世\)](#)