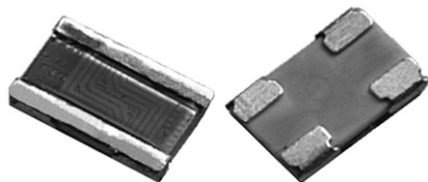


Models # 303119Z and 303119 (Current Sensing Fixed Foil Resistor Chips VCS1625Z/VCS1625 Configuration) Screen/Test Flow in Compliance with EEE-INST-002, (Tables 2A and 3A, Film/Foil, Level 1) and MIL-PRF-55342



INTRODUCTION

The Z-foil technology provides a significant reduction of the resistive component's sensitivity to ambient temperature variations (TCR) and applied power changes (PCR). Designers can now guarantee a high degree of stability and accuracy in fixed-resistor applications using solutions based on Vishay's revolutionary Z-foil technology. 0.05 ppm/°C absolute TCR removes errors due to temperature gradients.

Models 303119Z and 303119 are surface mount chip resistors designed with 4 pads for Kelvin connection. Utilizing Vishay's Bulk Metal® Z-foil as the resistance element, 303119Z provides performance capabilities far greater than other resistor technologies can supply in a product of comparable size.

These small devices dissipate heat almost entirely through the pads so surface mount users are encouraged to be generous with the board's pads and traces. Gold terminations are available as well.

Our application engineering department is available to advise and to make recommendations.

FIGURE 1 - POWER DERATING CURVE

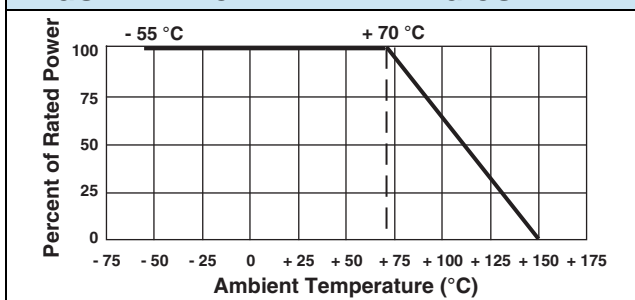


TABLE 1 - SPECIFICATIONS

MODEL NUMBER	RESISTANCE RANGE	TIGHTEST RESISTANCE TOLERANCE	TYPICAL TCR (- 55 °C to + 125 °C, + 25 °C ref.)	MAXIMUM TCR	POWER RATING at + 70 °C ⁽¹⁾	MAXIMUM CURRENT ⁽¹⁾
303119Z	> 2.0 Ω to 10 Ω > 0.5 Ω to 2.0 Ω 0.3 Ω to 0.5 Ω	± 0.5 % ± 1.0 % ± 2.0 %	± 0.2 ppm/°C	± 3 ppm/°C	0.5 W on FR4 PCB	5 A
303119	> 2.0 Ω to 10 Ω > 0.5 Ω to 2.0 Ω > 0.1 Ω to 0.5 Ω > 0.05 Ω to 0.1 Ω > 0.03 Ω to 0.05 Ω > 0.01 Ω to 0.03 Ω	± 0.5 % ± 1.0 % ± 2.0 % ± 2.0 % ± 2.0 % ± 2.0 %	± 2.0 ppm/°C	± 5 ppm/°C ± 10 ppm/°C ± 15 ppm/°C ± 20 ppm/°C ± 30 ppm/°C ± 50 ppm/°C		

Note

⁽¹⁾ Whichever is lower

FEATURES

- Temperature coefficient of resistance (TCR):
± 0.05 ppm/°C typical (0 °C to + 60 °C)
± 0.2 ppm/°C typical (- 55 °C to + 125 °C, + 25 °C ref.) (see table 1)
- Resistance range: 0.01 Ω to 10 Ω
- Vishay Foil resistors are not restricted to standard values, specific "as required" values can be supplied at no extra cost or delivery (e.g. 1.234 Ω vs. 1 Ω)
- Tolerance: to ± 0.5 %
- Power coefficient "ΔR due to self heating": 5 ppm at rated power
- Load life stability: 0.05 % at 70 °C, 2000 h at rated power
- Electrostatic discharge (ESD) up to 25 000 V
- Short time overload < 0.02 %
- Power rating: 0.5 W at + 70 °C (figure 1)
- Non inductive, non capacitive design
- Rise time: 1 ns effectively no ringing
- Current rating: 5 A maximum
- Current noise: < - 40 dB
- Voltage coefficient: < 0.1 ppm/V
- Non inductive: < 0.08 μH
- Non hot spot design
- For prototypes units, append a "U" to the model number (example: 303119ZU). These units have all of the table 2A (page 3) 100 % tests performed, with no destructive qualification testing required (table 3A, page 3). For more information, please contact foil@vishaypg.com
- For oriented performances please contact us

TERMINATIONS

- Two options are available:
 - tin/lead plated
 - gold plated

FIGURE 2 - DIMENSIONS in Inches (Millimeters)

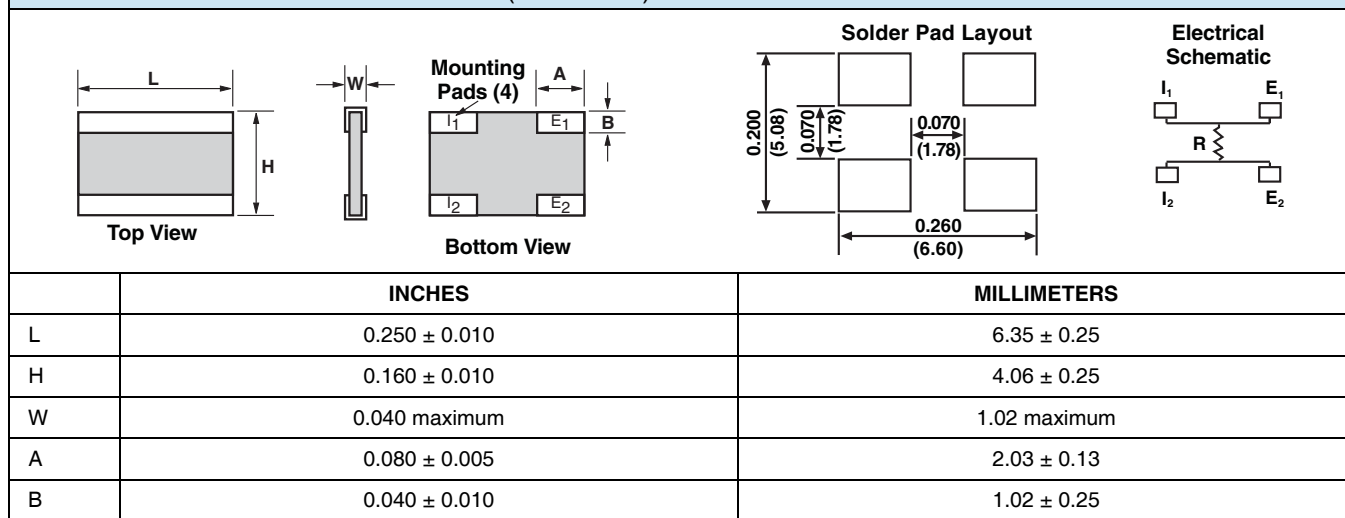


FIGURE 3 - TRIMMING TO VALUES
(Conceptual Illustration)

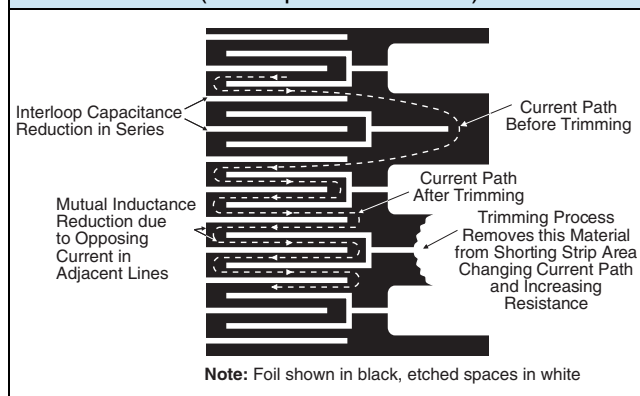


FIGURE 4 - TYPICAL TCR CURVE Z-FOIL

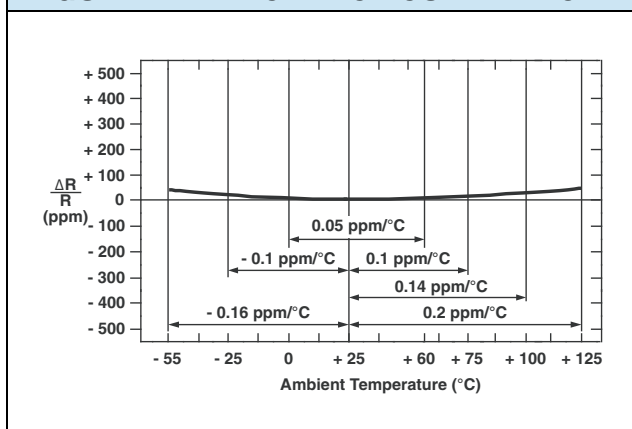


TABLE 2 - PERFORMANCE SPECIFICATIONS

TEST	MIL-PRF-55342 ΔR LIMITS	TYPICAL ΔR LIMITS	MAXIMUM ΔR LIMITS (1)
Thermal shock 5 x (- 65 °C to + 150 °C)	± 0.10 %	± 0.005 % (50 ppm)	± 0.01 % (100 ppm)
Low temperature operation	± 0.10 %	± 0.005 % (50 ppm)	± 0.02 % (200 ppm)
Short time overload	± 0.10 %	± 0.005 % (50 ppm)	± 0.02 % (200 ppm)
High temperature exposure	± 0.10 %	± 0.01 % (100 ppm)	± 0.1 % (1000 ppm)
Resistance to soldering heat	± 0.2 %	± 0.01 % (100 ppm)	± 0.03 % (300 ppm)
Moisture resistance	± 0.2 %	± 0.01 % (100 ppm)	± 0.03 % (300 ppm)
Load life 2000 h at 70 °C: rated power on FR4 PCB	± 0.5 %	± 0.02 % (200 ppm)	± 0.05 % (500 ppm) for values ≥ 100 mΩ ± 0.1 % (1000 ppm) for values < 100 mΩ

Note
(1) Measurement error 0.001R

NOTES

- Tightest absolute tolerance:
 ≥ 10 mΩ to 500 mΩ inclusive, 2 %
 > 500 mΩ to 2 Ω inclusive, 1 %
 > 2 Ω to 10 Ω inclusive, 0.5 %
- Measurement error allowed for ΔR limits: 0.001 Ω (if not otherwise specified)
- For prototypes units, append a "U" to the model number (example: 303119ZU). These units have all of the table 2A 100 % tests performed, with no destructive qualification testing required

TABLE 3 - EEE-INST-002 (TABLE 2A FILM/FOIL, LEVEL 1) 100 % TESTS/INSPECTIONS (1)	
RC Record	In tolerance
Thermal Shock	25 x (- 65 °C to + 150 °C)
Power Conditioning	70 °C, 100 h, rated power - not to exceed max. current
RC Record	In tolerance, ΔR = 0.05 % for thermal shock and conditioning combined
Final Inspection	5 % PDA on ΔR only 10 % PDA on "Out of Final Tolerance" Measurement error allowed on ΔR limits: 10 mΩ to 100 mΩ: 0.0001 Ω ≥ 100 mΩ to 1 Ω: 0.0005 Ω ≥ 1 Ω to 10 Ω: 0.005 Ω or 0.1 %, whichever is smaller
Visual Inspection	Materials, design, etc.
Mechanical Inspection	Physical dimensions sample size: 3 units for a min. of one failure - 100 % inspection

Note

(1) Vishay will perform a pre-cap visual inspection 100 % in the production flow prior to overcoating

TABLE 4 - EEE-INST-002 (TABLE 3A FILM/FOIL, LEVEL 1) DESTRUCTIVE TESTS																							
Group 2	Solderability Sample size: 3(0)																						
Group 3	<p>Sample size: 10(0) - mounted on FR4</p> <p>TCR Temperature range: - 55 °C/+ 25 °C/+ 125 °C</p> <table border="1" style="margin-left: auto; margin-right: auto;"> <thead> <tr> <th colspan="2">303119Z Series</th> </tr> <tr> <th>Values</th> <th>TCR limits</th> </tr> </thead> <tbody> <tr> <td>0.3 Ω to 10 Ω</td> <td>± 3 ppm/°C</td> </tr> <tr> <th colspan="2">303119 Series</th> </tr> <tr> <th>Values</th> <th>TCR limits</th> </tr> <tr> <td>> 2 Ω to 10 Ω</td> <td>± 5 ppm/°C</td> </tr> <tr> <td>> 0.5 Ω to 2 Ω</td> <td>± 10 ppm/°C</td> </tr> <tr> <td>> 0.1 Ω to 0.5 Ω</td> <td>± 15 ppm/°C</td> </tr> <tr> <td>> 0.05 Ω to 0.1 Ω</td> <td>± 20 ppm/°C</td> </tr> <tr> <td>> 0.03 Ω to 0.05 Ω</td> <td>± 30 ppm/°C</td> </tr> <tr> <td>> 0.01 Ω to 0.03 Ω</td> <td>± 50 ppm/°C</td> </tr> </tbody> </table> <p>Low temperature storage ΔR = 0.02 % - 65 °C no load dwell for 24 h ± 4 h + 25 °C ambient no load dwell for 2 h to 8 h</p> <p>Low temperature operation ΔR = 0.02 % - 65 °C no load dwell for 1 h rated power for 45 min + 25 °C ambient no load dwell for 24 h ± 4 h</p> <p>Short time overload ΔR = 0.02 % 6.25 x rated power, 5 s. Current limitation: 5A max.</p>	303119Z Series		Values	TCR limits	0.3 Ω to 10 Ω	± 3 ppm/°C	303119 Series		Values	TCR limits	> 2 Ω to 10 Ω	± 5 ppm/°C	> 0.5 Ω to 2 Ω	± 10 ppm/°C	> 0.1 Ω to 0.5 Ω	± 15 ppm/°C	> 0.05 Ω to 0.1 Ω	± 20 ppm/°C	> 0.03 Ω to 0.05 Ω	± 30 ppm/°C	> 0.01 Ω to 0.03 Ω	± 50 ppm/°C
303119Z Series																							
Values	TCR limits																						
0.3 Ω to 10 Ω	± 3 ppm/°C																						
303119 Series																							
Values	TCR limits																						
> 2 Ω to 10 Ω	± 5 ppm/°C																						
> 0.5 Ω to 2 Ω	± 10 ppm/°C																						
> 0.1 Ω to 0.5 Ω	± 15 ppm/°C																						
> 0.05 Ω to 0.1 Ω	± 20 ppm/°C																						
> 0.03 Ω to 0.05 Ω	± 30 ppm/°C																						
> 0.01 Ω to 0.03 Ω	± 50 ppm/°C																						
Group 4	<p>Sample size: 9(0) - mounted on FR4</p> <p>Resistance to Soldering Heat ΔR = 0.03 % performed per MIL-PRF-55342 para. 4.8.8.1</p>																						

TABLE 4 - EEE-INST-002 (TABLE 3A FILM/FOIL, LEVEL 1) DESTRUCTIVE TESTS

Group 6	Sample size: 12(0) - mounted on FR4	
	Life	2000 h, + 70 °C, rated power ΔR = 0.05 % for values ≥ 100 mΩ ΔR = 0.1 % for values < 100 mΩ performed per MIL-PRF-55342
Group 7B	Sample size: 10(0) - mounted on FR4	
	Solder Mounting Integrity	Performed per MIL-PRF-55342 3 kg force, 30 s
Group 9	Sample size: 5(0) - mounted on FR4	
	High temperature exposure	ΔR = 0.1 % Performed per MIL-PRF-55342 100 h at + 150 °C ± 5 °C

Note

- The sample units should be randomly selected from lots which successfully passed the table 2A tests

PART NUMBER IDENTIFICATION

Model #	303119Z	303119
Base Model	VCS1625Z	VCS1625
Value Range	0.3 Ω to 10 Ω	0.01 Ω to 10 Ω

Part Number:

{Model} - {Value} - {Tolerance} - {Termination} - {Packaging}

303119Z		
Resistance Value	Max. Tolerance	Code
0.3 Ω to 0.5 Ω	2 %	G
> 0.5 Ω to 2 Ω	1 %	F
> 2 Ω to 10 Ω	0.5 %	D

Termination	Code
Tin/lead	B

Packaging	Code
Waffle	W
Tape and reel	T

303119		
Resistance Value	Max. Tolerance	Code
0.01 Ω to 0.5 Ω	2 %	G
> 0.5 Ω to 2 Ω	1 %	F
> 2 Ω to 10 Ω	0.5 %	D

Example: 303119Z - 2R3 - FBW

VCS1625Z, 2.3 Ω, 1 %, tin/lead termination, waffle packaging

Disclaimer

ALL PRODUCTS, PRODUCT SPECIFICATIONS AND DATA ARE SUBJECT TO CHANGE WITHOUT NOTICE.

Vishay Precision Group, Inc., its affiliates, agents, and employees, and all persons acting on its or their behalf (collectively, "VPG"), disclaim any and all liability for any errors, inaccuracies or incompleteness contained herein or in any other disclosure relating to any product.

The product specifications do not expand or otherwise modify VPG's terms and conditions of purchase, including but not limited to, the warranty expressed therein.

VPG makes no warranty, representation or guarantee other than as set forth in the terms and conditions of purchase. **To the maximum extent permitted by applicable law, VPG disclaims (i) any and all liability arising out of the application or use of any product, (ii) any and all liability, including without limitation special, consequential or incidental damages, and (iii) any and all implied warranties, including warranties of fitness for particular purpose, non-infringement and merchantability.**

Information provided in datasheets and/or specifications may vary from actual results in different applications and performance may vary over time. Statements regarding the suitability of products for certain types of applications are based on VPG's knowledge of typical requirements that are often placed on VPG products. It is the customer's responsibility to validate that a particular product with the properties described in the product specification is suitable for use in a particular application. You should ensure you have the current version of the relevant information by contacting VPG prior to performing installation or use of the product, such as on our website at vpgsensors.com.

No license, express, implied, or otherwise, to any intellectual property rights is granted by this document, or by any conduct of VPG.

The products shown herein are not designed for use in life-saving or life-sustaining applications unless otherwise expressly indicated. Customers using or selling VPG products not expressly indicated for use in such applications do so entirely at their own risk and agree to fully indemnify VPG for any damages arising or resulting from such use or sale. Please contact authorized VPG personnel to obtain written terms and conditions regarding products designed for such applications.

Product names and markings noted herein may be trademarks of their respective owners.

Copyright Vishay Precision Group, Inc., 2014. All rights reserved.

单击下面可查看定价，库存，交付和生命周期等信息

[>>Vishay\(威世\)](#)