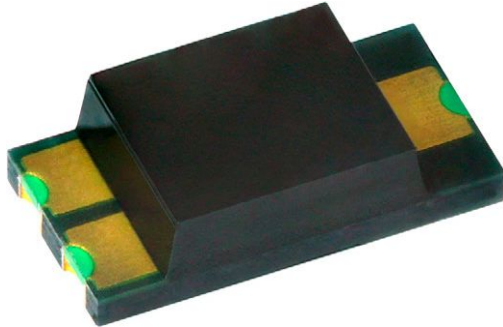


## Silicon PIN Photodiode



### DESCRIPTION

VEMD6160X01 is a high speed and high sensitive PIN photodiode with excellent  $I_{ra}$  linearity. It is a small surface mount device (SMD) including the chip with a 0.85 mm<sup>2</sup> sensitive area and a daylight blocking filter.

### FEATURES

- Package type: surface mount
- Package form: 1206
- Dimensions (L x W x H in mm): 4 x 2 x 1.05
- Radiant sensitive area (in mm<sup>2</sup>): 0.85
- Daylight blocking filter
- High photo sensitivity
- High radiant sensitivity
- Excellent  $I_{ra}$  linearity
- Fast response times
- Angle of half sensitivity:  $\phi = \pm 70^\circ$
- Floor life: 72 h, MSL 4, according to J-STD-020
- Lead (Pb)-free reflow soldering
- AEC-Q101 qualified
- Material categorization: for definitions of compliance please see [www.vishay.com/doc?99912](http://www.vishay.com/doc?99912)

AUTOMOTIVE  
GRADE



**RoHS**  
COMPLIANT  
HALOGEN  
**FREE**  
**GREEN**  
(5-2008)

### APPLICATIONS

- High speed photo detector
- Small signal detection
- Proximity sensors

### PRODUCT SUMMARY

| COMPONENT   | $I_{ra}$ ( $\mu A$ ) | $\phi$ (deg) | $\lambda_{0.1}$ (nm) |
|-------------|----------------------|--------------|----------------------|
| VEMD6160X01 | 5                    | $\pm 70$     | 700 to 1070          |

**Note**

- Test conditions see table "Basic Characteristics"

### ORDERING INFORMATION

| ORDERING CODE | PACKAGING     | REMARKS                      | PACKAGE FORM |
|---------------|---------------|------------------------------|--------------|
| VEMD6160X01   | Tape and reel | MOQ: 3000 pcs, 3000 pcs/reel | 1206         |

**Note**

- MOQ: minimum order quantity

### ABSOLUTE MAXIMUM RATINGS ( $T_{amb} = 25^\circ C$ , unless otherwise specified)

| PARAMETER                             | TEST CONDITION                            | SYMBOL     | VALUE       | UNIT       |
|---------------------------------------|---|------------|-------------|------------|
| Reverse voltage                       |   | $V_R$      | 20          | V          |
| Power dissipation                     | $T_{amb} \leq 25^\circ C$                 | $P_V$      | 215         | mW         |
| Junction temperature                  |   | $T_j$      | 110         | $^\circ C$ |
| Operating temperature range           |   | $T_{amb}$  | -40 to +110 | $^\circ C$ |
| Storage temperature range             |   | $T_{stg}$  | -40 to +110 | $^\circ C$ |
| Soldering temperature                 | According to reflow solder profile fig. 8 | $T_{sd}$   | 260         | $^\circ C$ |
| Thermal resistance junction / ambient | According to EIA / JESD51                 | $R_{thJA}$ | 270         | K/W        |

| <b>BASIC CHARACTERISTICS</b> ( $T_{amb} = 25\text{ }^{\circ}\text{C}$ , unless otherwise specified) |  |                 |      |             |      |               |
|---|--|-----------------|------|-------------|------|---------------|
| PARAMETER   | TEST CONDITION   | SYMBOL          | MIN. | TYP.        | MAX. | UNIT          |
| Forward voltage   | $I_F = 50\text{ mA}$   | $V_F$           | -    | 0.85        | 1.1  | V             |
| Breakdown voltage   | $I_R = 100\text{ }\mu\text{A}$ , $E = 0$                                   | $V_{(BR)}$      | 20   | -           | -    | V             |
| Reverse dark current  | $V_R = 10\text{ V}$ , $E = 0$  | $I_{ro}$        | -    | 0.03        | 5    | nA            |
| Diode capacitance   | $V_R = 0\text{ V}$ , $f = 1\text{ MHz}$ , $E = 0$                          | $C_D$           | -    | 11          | -    | pF            |
|   | $V_R = 5\text{ V}$ , $f = 1\text{ MHz}$ , $E = 0$                          | $C_D$           | -    | 4.6         | -    | pF            |
| Open circuit voltage  | $E_e = 1\text{ mW/cm}^2$ , $\lambda = 950\text{ nm}$                       | $V_o$           | -    | 360         | -    | mV            |
| Temperature coefficient of $V_o$  | $E_e = 1\text{ mW/cm}^2$ , $\lambda = 950\text{ nm}$                       | $TK_{V_o}$      | -    | -3.1        | -    | mV/K          |
| Short circuit current   | $E_e = 1\text{ mW/cm}^2$ , $\lambda = 950\text{ nm}$                       | $I_k$           | -    | 5           | -    | $\mu\text{A}$ |
| Temperature coefficient of $I_k$  | $E_e = 1\text{ mW/cm}^2$ , $\lambda = 835\text{ nm}$                       | $TK_{I_k}$      | -    | 0.1         | -    | %/K           |
| Reverse light current   | $E_e = 1\text{ mW/cm}^2$ , $\lambda = 950\text{ nm}$ , $V_R = 5\text{ V}$  | $I_{ra}$        | 3.5  | 5           | 6.5  | $\mu\text{A}$ |
|   | $E_e = 1\text{ mW/cm}^2$ , $\lambda = 890\text{ nm}$ , $V_R = 5\text{ V}$  | $I_{ra}$        | -    | 7           | -    | $\mu\text{A}$ |
| Angle of half sensitivity   |  | $\phi$          | -    | $\pm 70$    | -    | deg           |
| Wavelength of peak sensitivity  |  | $\lambda_p$     | -    | 840         | -    | nm            |
| Range of spectral bandwidth   |  | $\lambda_{0.1}$ | -    | 700 to 1070 | -    | nm            |
| Rise time   | $V_R = 10\text{ V}$ , $R_L = 50\text{ }\Omega$ , $\lambda = 830\text{ nm}$ | $t_r$           | -    | 60          | -    | ns            |
| Fall time   | $V_R = 10\text{ V}$ , $R_L = 50\text{ }\Omega$ , $\lambda = 830\text{ nm}$ | $t_f$           | -    | 50          | -    | ns            |

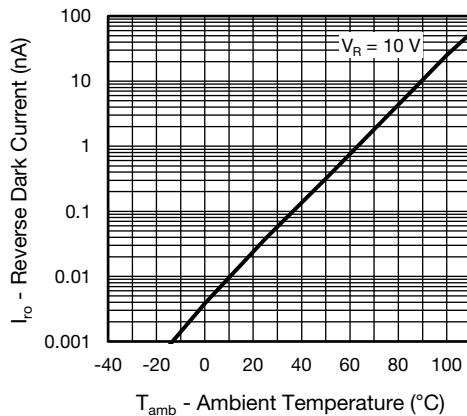
**BASIC CHARACTERISTICS** ( $T_{amb} = 25\text{ }^{\circ}\text{C}$ , unless otherwise specified)


Fig. 1 - Reverse Dark Current vs. Ambient Temperature

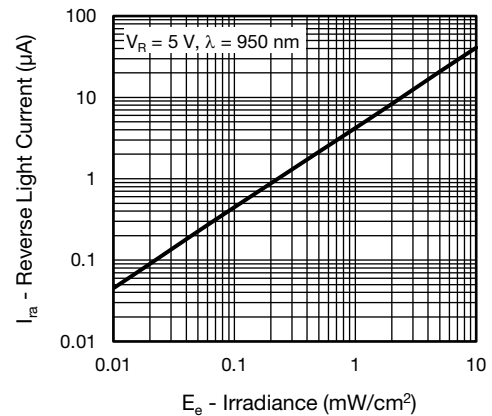


Fig. 3 - Reverse Light Current vs. Irradiance

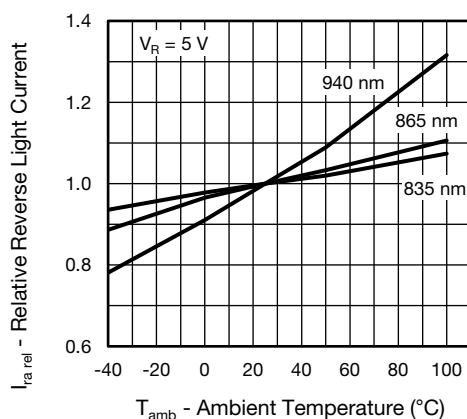


Fig. 2 - Relative Reverse Light Current vs. Ambient Temperature

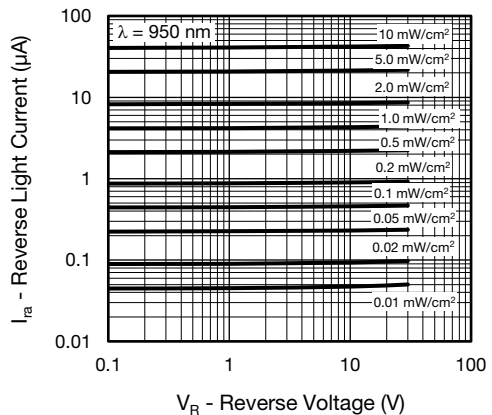


Fig. 4 - Reverse Light Current vs. Reverse Voltage

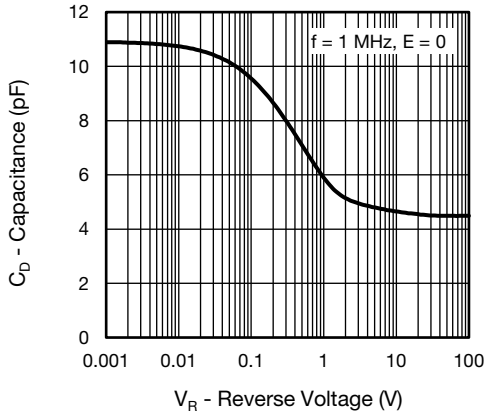


Fig. 5 - Diode Capacitance vs. Reverse Voltage

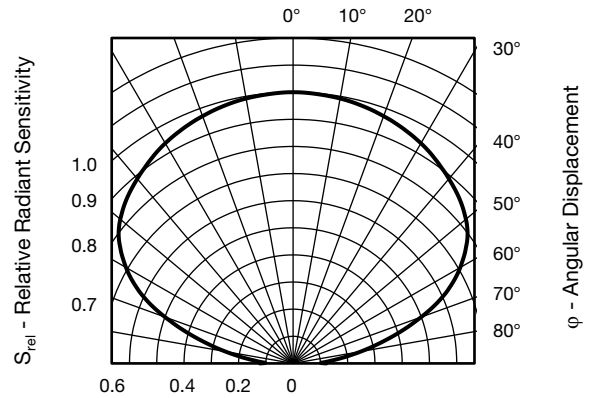


Fig. 7 - Relative Radiant Sensitivity vs. Angular Displacement

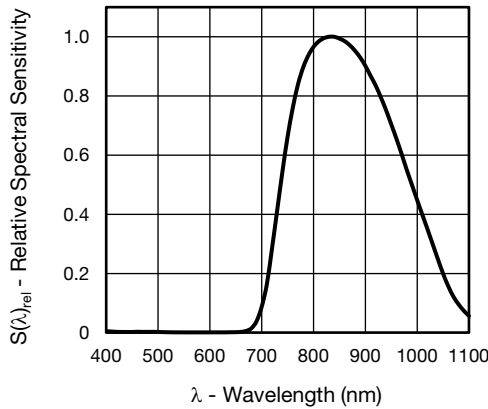
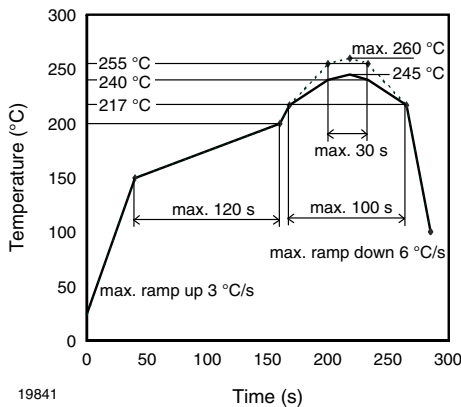


Fig. 6 - Relative Spectral Sensitivity vs. Wavelength

**REFLOW SOLDER PROFILE**



19841

Fig. 8 - Lead (Pb)-free Reflow Solder Profile According to J-STD-020

**DRYPACK**

Devices are packed in moisture barrier bags (MBB) to prevent the products from moisture absorption during transportation and storage. Each bag contains a desiccant.

**FLOOR LIFE**

Floor life (time between soldering and removing from MBB) must not exceed the time indicated on MBB label:

Floor life: 72 h

Conditions:  $T_{amb} < 30\text{ °C}$ ,  $RH < 60\%$

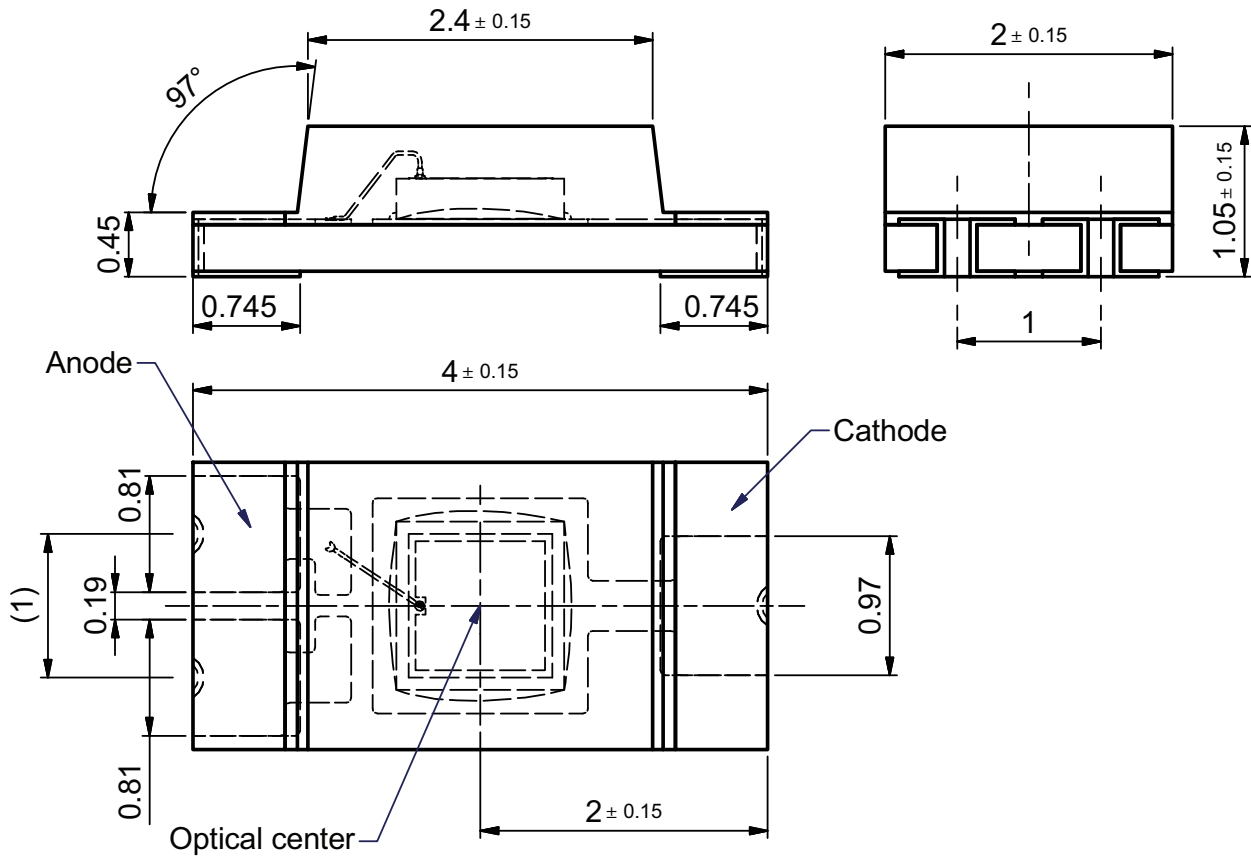
Moisture sensitivity level 4, according to J-STD-020.

**DRYING**

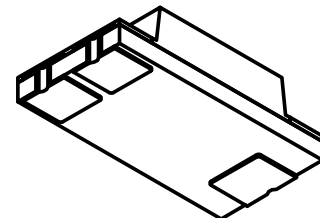
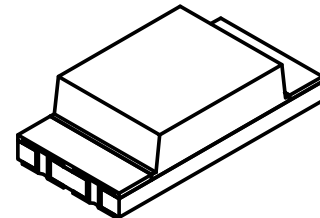
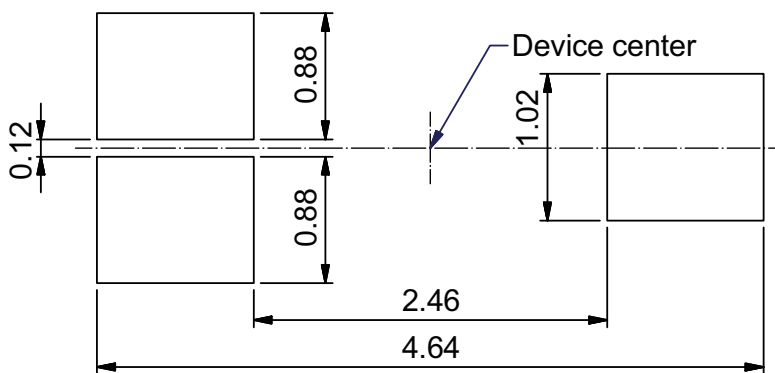
In case of moisture absorption devices should be baked before soldering. Conditions see J-STD-020 or label. Devices taped on reel dry using recommended conditions 192 h at  $40\text{ °C} (+ 5\text{ °C})$ ,  $RH < 5\%$ .



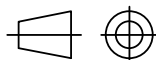
PACKAGE DIMENSIONS in millimeters



Recommended solder pad footprint



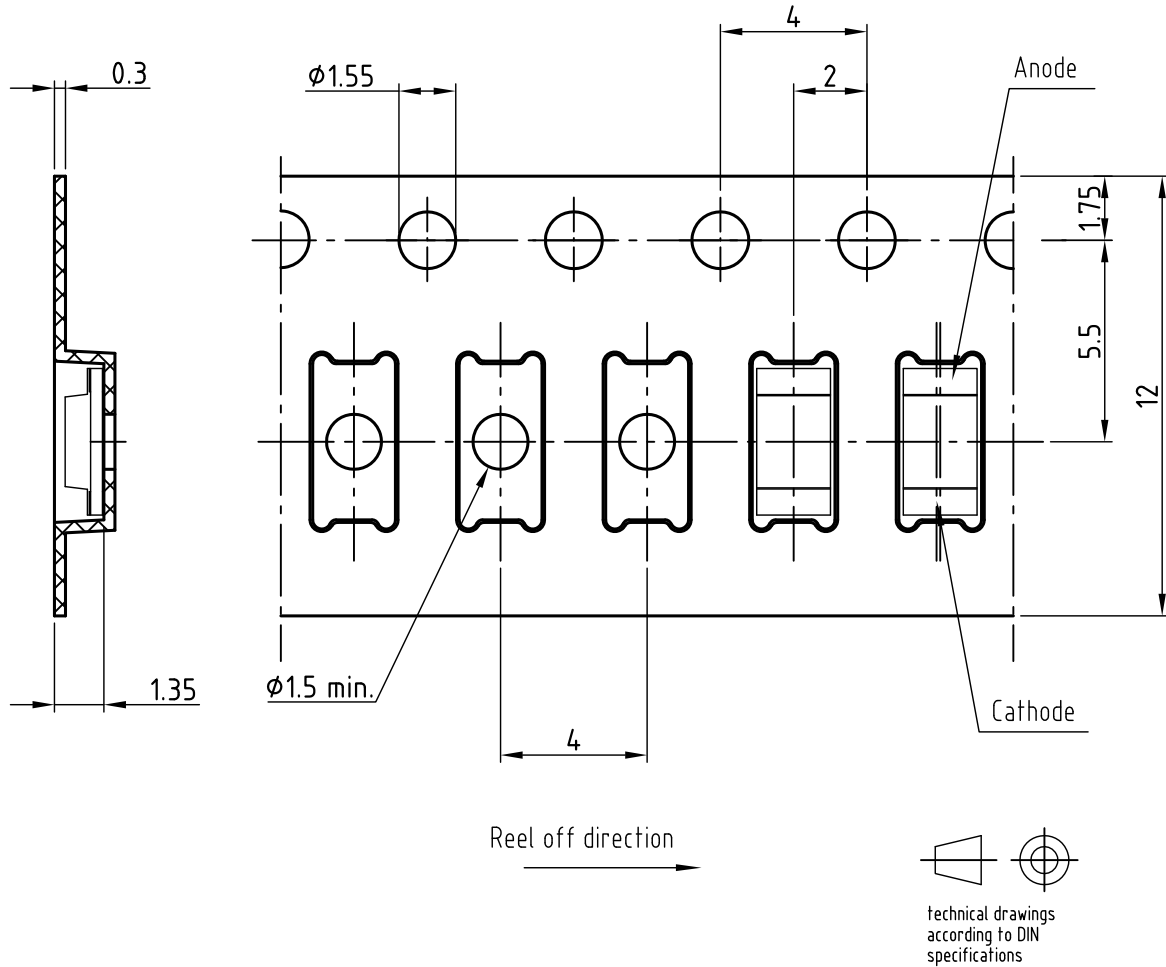
Drawing-No. 6.541-5100.01-4  
Preliminary issue 04.07.2013



Technical drawings according to DIN specification.

Not indicated tolerances  $\pm 0.1$ mm

**BLISTER TAPE DIMENSIONS** in millimeters



Not indicated tolerances  $\pm 0.1$

All dimensions in mm

Drawing refers to following Types: TEMD6010FX01

VEMD6x10X01

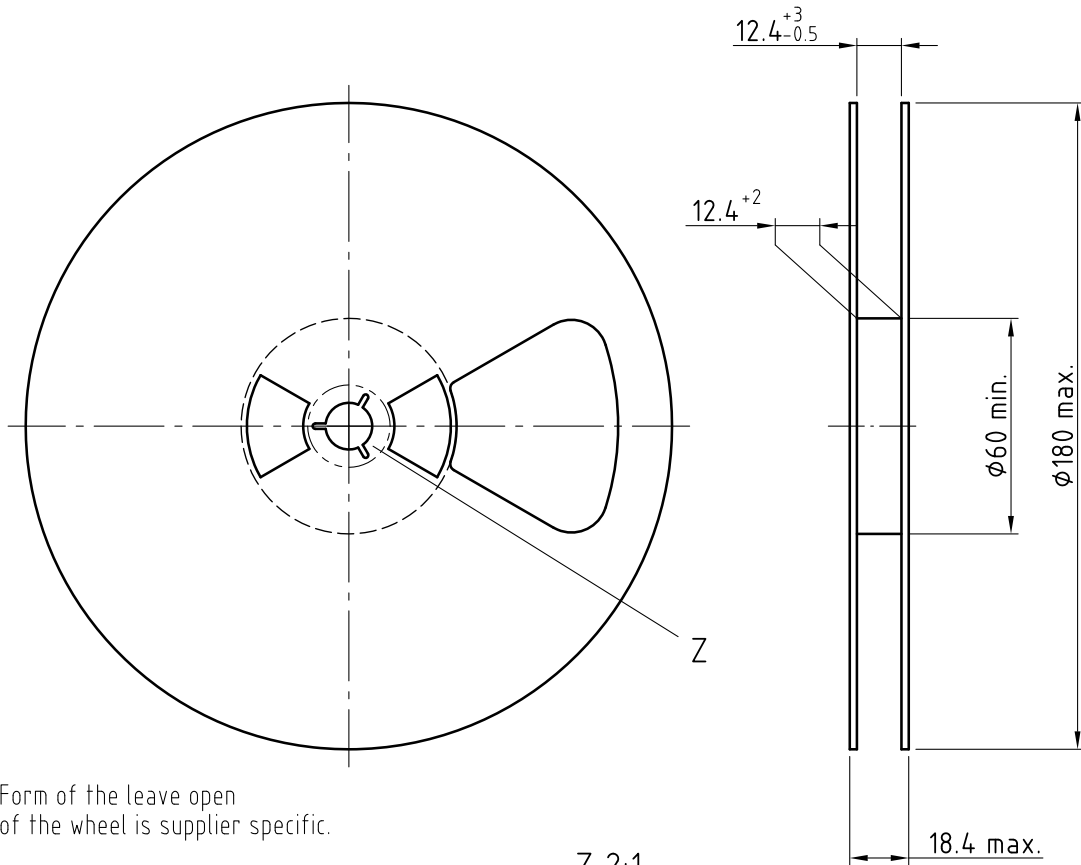
Drawing-No.: 9.700-5329.02-4

VEMD6x15X01

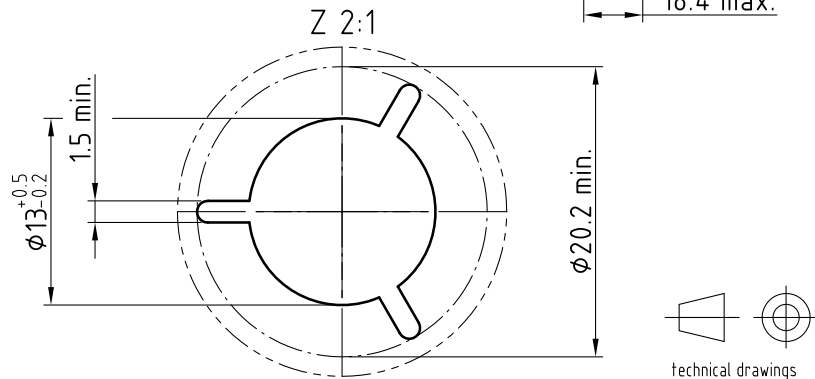
Prel Issue: 16.07.2013



REEL DIMENSIONS in millimeters



Form of the leave open of the wheel is supplier specific.



technical drawings according to DIN specifications

Drawing-No.: 9.800-5097.01-4

Issue: 1; 05.05.08

20874



## Disclaimer

ALL PRODUCT, PRODUCT SPECIFICATIONS AND DATA ARE SUBJECT TO CHANGE WITHOUT NOTICE TO IMPROVE RELIABILITY, FUNCTION OR DESIGN OR OTHERWISE.

Vishay Intertechnology, Inc., its affiliates, agents, and employees, and all persons acting on its or their behalf (collectively, "Vishay"), disclaim any and all liability for any errors, inaccuracies or incompleteness contained in any datasheet or in any other disclosure relating to any product.

Vishay makes no warranty, representation or guarantee regarding the suitability of the products for any particular purpose or the continuing production of any product. To the maximum extent permitted by applicable law, Vishay disclaims (i) any and all liability arising out of the application or use of any product, (ii) any and all liability, including without limitation special, consequential or incidental damages, and (iii) any and all implied warranties, including warranties of fitness for particular purpose, non-infringement and merchantability.

Statements regarding the suitability of products for certain types of applications are based on Vishay's knowledge of typical requirements that are often placed on Vishay products in generic applications. Such statements are not binding statements about the suitability of products for a particular application. It is the customer's responsibility to validate that a particular product with the properties described in the product specification is suitable for use in a particular application. Parameters provided in datasheets and / or specifications may vary in different applications and performance may vary over time. All operating parameters, including typical parameters, must be validated for each customer application by the customer's technical experts. Product specifications do not expand or otherwise modify Vishay's terms and conditions of purchase, including but not limited to the warranty expressed therein.

Except as expressly indicated in writing, Vishay products are not designed for use in medical, life-saving, or life-sustaining applications or for any other application in which the failure of the Vishay product could result in personal injury or death. Customers using or selling Vishay products not expressly indicated for use in such applications do so at their own risk. Please contact authorized Vishay personnel to obtain written terms and conditions regarding products designed for such applications.

No license, express or implied, by estoppel or otherwise, to any intellectual property rights is granted by this document or by any conduct of Vishay. Product names and markings noted herein may be trademarks of their respective owners.

单击下面可查看定价，库存，交付和生命周期等信息

[>>Vishay\(威世\)](#)

[>>点击查看相关商品](#)