

$I_{F(AV)} = 3.0\text{Amp}$   
 $V_R = 100\text{V}$

**Major Ratings and Characteristics**

Characteristics	Values	Units
$I_{F(AV)}$ Rectangular waveform	3.0	A
$V_{RRM}$	100	V
$I_{FSM}$ @ $t_p=5\mu\text{s}$ sine	800	A
$V_F$ @3.0Apk, $T_J = 125^\circ\text{C}$	0.62	V
$T_J$ range	- 55 to 175	$^\circ\text{C}$

**Description/ Features**

The 30BQ100PbF surface-mount Schottky rectifier has been designed for applications requiring low forward drop and small foot prints on PC boards. Typical applications are in disk drives, switching power supplies, converters, free-wheeling diodes, battery charging, and reverse battery protection.

- Small foot print, surface mountable
- Very low forward voltage drop
- High frequency operation
- Guard ring for enhanced ruggedness and long term reliability
- Lead-Free ("PbF" suffix)

**Case Styles**



SMC

## Voltage Ratings

Part number	30BQ100PbF
V <sub>R</sub> Max. DC Reverse Voltage (V)	100
V <sub>RWM</sub> Max. Working Peak Reverse Voltage (V)	

## Absolute Maximum Ratings

Parameters	30BQ	Units	Conditions
I <sub>F(AV)</sub> Max. Average Forward Current	3.0	A	50% duty cycle @ T <sub>L</sub> = 148 °C, rectangular wave form
	4.0		50% duty cycle @ T <sub>L</sub> = 138 °C, rectangular wave form
I <sub>FSM</sub> Max. Peak One Cycle Non-Repetitive Surge Current	800	A	5µs Sine or 3µs Rect. pulse
	70		10ms Sine or 6ms Rect. pulse
E <sub>AS</sub> Non Repetitive Avalanche Energy	3.0	mJ	T <sub>J</sub> = 25 °C, I <sub>AS</sub> = 1.0A, L = 6mH
I <sub>AR</sub> Repetitive Avalanche Current	0.5	A	Current decaying linearly to zero in 1 µsec Frequency limited by T <sub>J</sub> max. Va = 1.5 x Vr typical

## Electrical Specifications

Parameters	30BQ	Units	Conditions
V <sub>FM</sub> Max. Forward Voltage Drop (1)	0.79	V	@ 3A
	0.90	V	@ 6A
	0.62	V	@ 3A
	0.70	V	@ 6A
I <sub>RM</sub> Max. Reverse Leakage Current (1)	0.5	mA	T <sub>J</sub> = 25 °C
	5.0	mA	T <sub>J</sub> = 125 °C
C <sub>T</sub> Max. Junction Capacitance	115	pF	V <sub>R</sub> = 5V <sub>DC</sub> (test signal range 100KHz to 1Mhz) 25°C
L <sub>S</sub> Typical Series Inductance	3.0	nH	Measured lead to lead 5mm from package body
dv/dt Max. Voltage Rate of Change	10000	V/µs	(Rated V <sub>R</sub> )

(1) Pulse Width &lt; 300µs, Duty Cycle &lt; 2%

## Thermal-Mechanical Specifications

Parameters	30BQ	Units	Conditions
T <sub>J</sub> Max. Junction Temperature Range (*)	-55 to 175	°C	
T <sub>stg</sub> Max. Storage Temperature Range	-55 to 175	°C	
R <sub>thJL</sub> Max. Thermal Resistance Junction to Lead (**)	12	°C/W	DC operation
R <sub>thJA</sub> Max. Thermal Resistance Junction to Ambient	46	°C/W	DC operation
wt Approximate Weight	0.24 (0.008)	g (oz.)	
Case Style	SMC		Similar to DO-214AB
Device Marking	IR3J		

(\*)  $\frac{dP_{tot}}{dT_j} < \frac{1}{R_{th(j-a)}}$  thermal runaway condition for a diode on its own heatsink

(\*\*) Mounted 1 inch square PCB

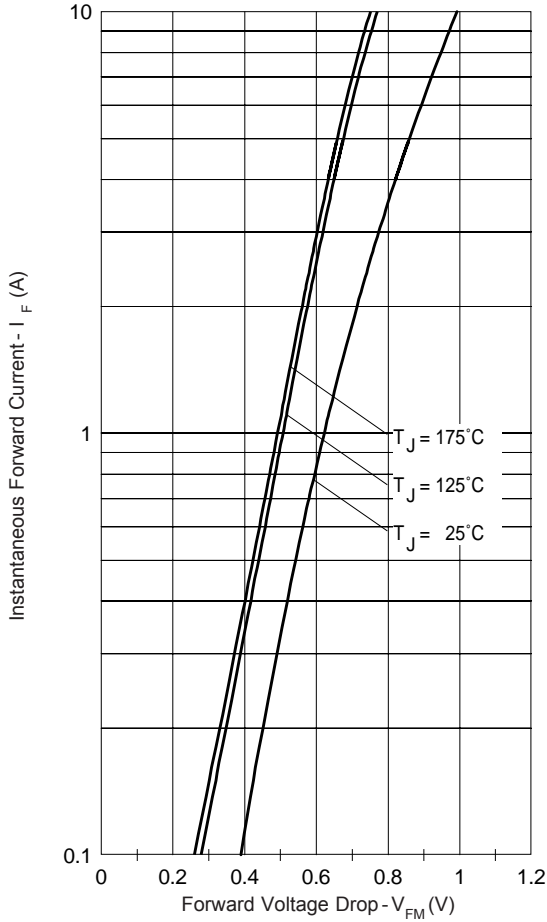


Fig. 1 - Max. Forward Voltage Drop Characteristics (Per Leg)

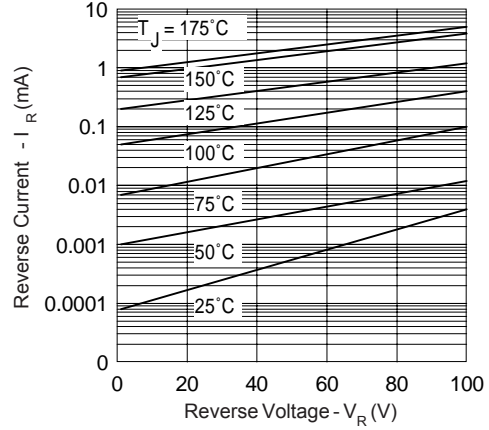


Fig. 2 - Typical Values Of Reverse Current Vs. Reverse Voltage (Per Leg)

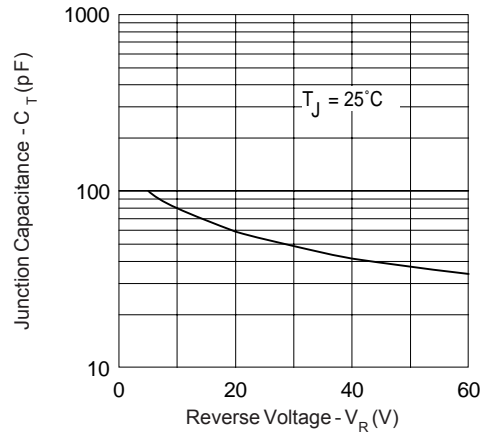


Fig. 3 - Typical Junction Capacitance Vs. Reverse Voltage (Per Leg)

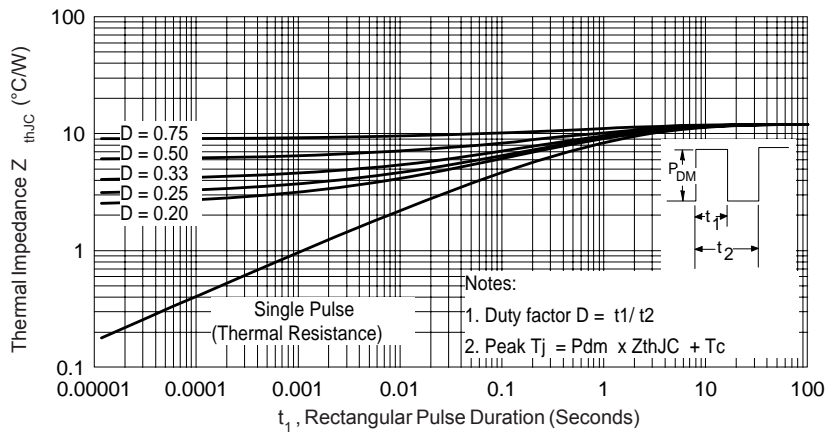


Fig. 4 - Max. Thermal Impedance  $Z_{thJC}$  Characteristics (Per Leg)

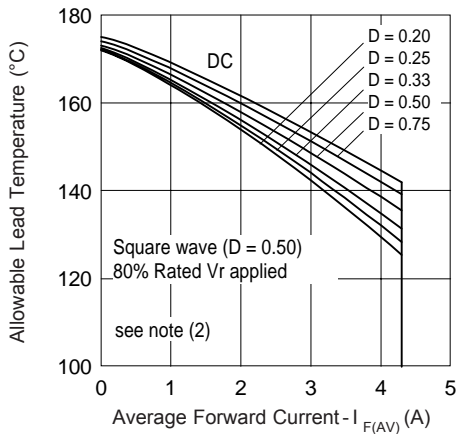


Fig. 4 - Maximum Average Forward Current Vs. Allowable Lead Temperature

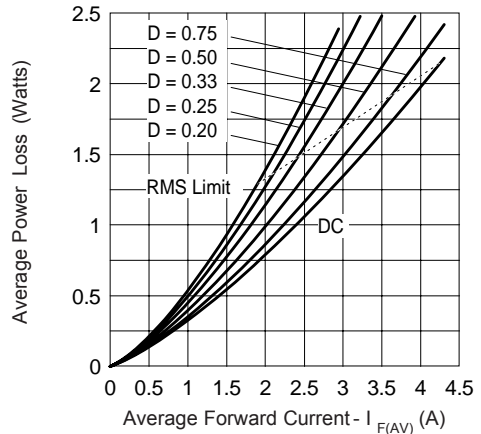


Fig. 5 - Maximum Average Forward Dissipation Vs. Average Forward Current

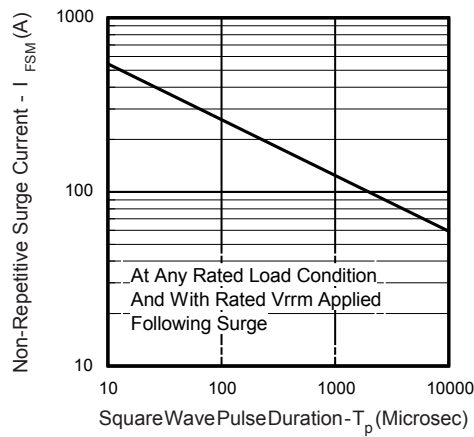


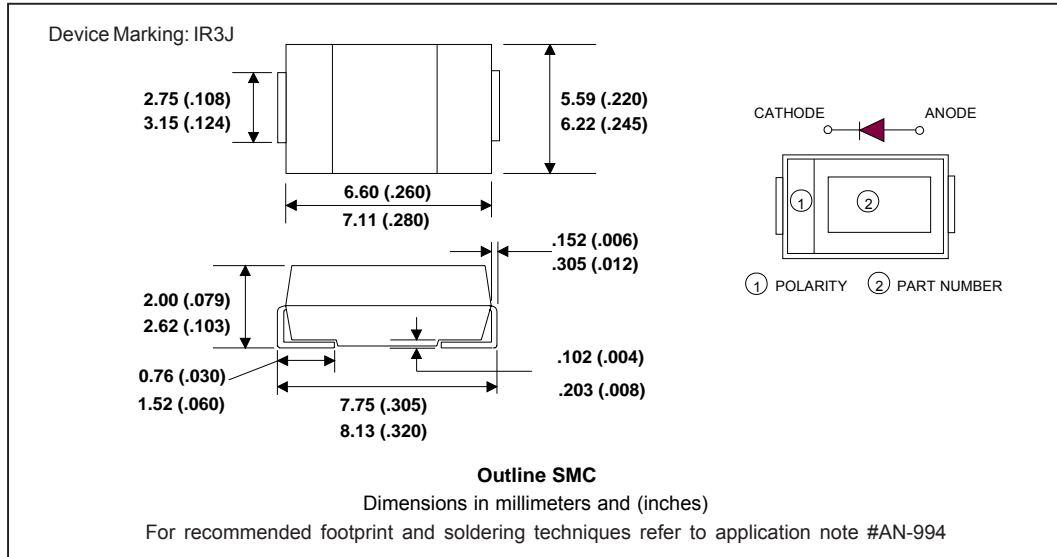
Fig. 6 - Maximum Peak Surge Forward Current Vs. Pulse Duration

(2) Formula used:  $T_C = T_J - (Pd + Pd_{REV}) \times R_{thJC}$ ;

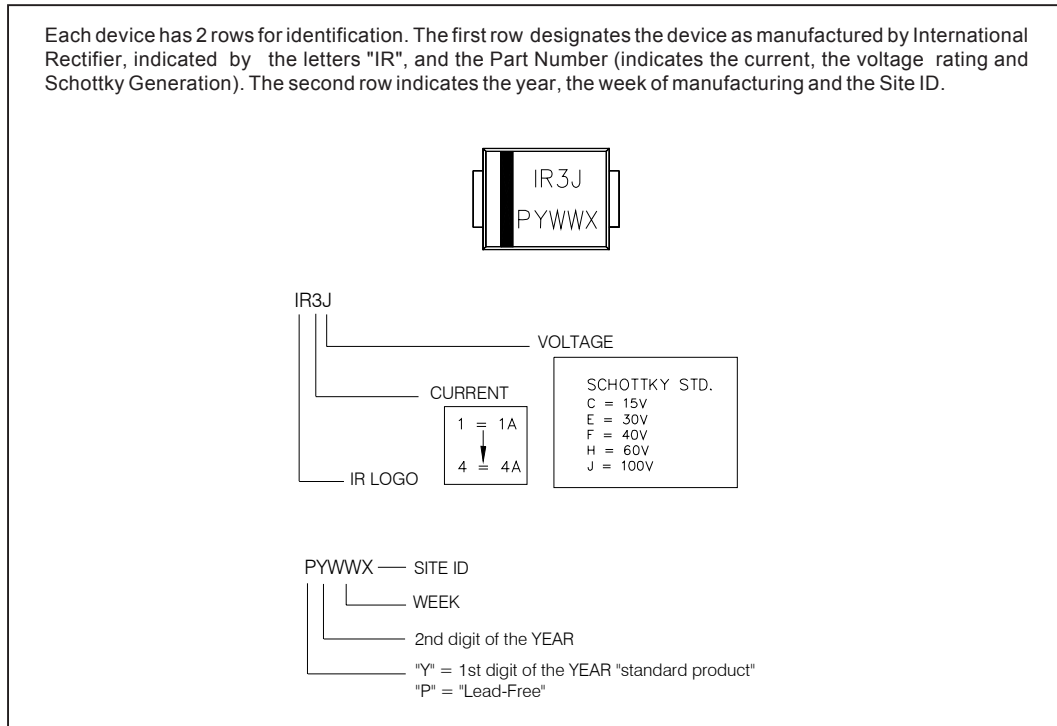
$Pd$  = Forward Power Loss =  $I_{F(AV)} \times V_{FM} @ (I_{F(AV)} / D)$  (see Fig. 6);

$Pd_{REV}$  = Inverse Power Loss =  $V_{R1} \times I_{R1} (1 - D)$ ;  $I_{R1} @ V_{R1} = 80\%$  rated  $V_R$

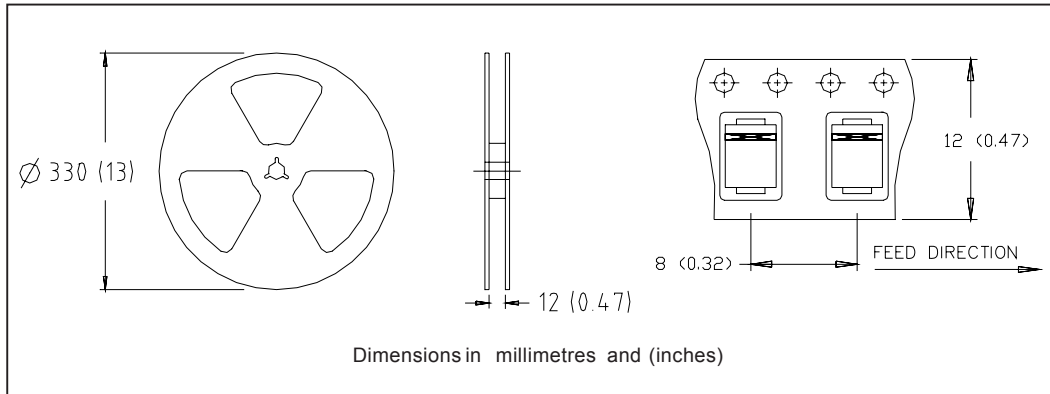
Outline Table



Marking & Identification



Tape & Reel Information



```

30BQ100
*****
* SPICE Model Diode *
*****
.SUBCKT 30BQ100 ANO CAT
D1 ANO 1 CAT
*Define diode model
.MODEL DMOD D (IS=100N, N=1.34718, BV=120, RS=40.3878M, CJO=158.574P, VJ=3.61795,
M=526.488M, EG=1.11, XTI=2, RL=25.6436MEG).

*****

.ENDS 30BQ100

Thermal Model Subcircuit
.SUBCKT 30BQ100 5 1

CTHERM1      5      4      6.42E-01
CTHERM2      4      3      1.03E+01
CTHERM3      3      2      1.66E+02
CTHERM4      2      1      6.78E+03

RTHERM1      5      4      3.34E+00
RTHERM2      4      3      4.97E+00
RTHERM1      3      2      2.84E+00
RTHERM1      2      1      7.75E-01

.ENDS 30BQ100
    
```

Ordering Information Table

Device Code													
	<table border="1" style="margin: auto;"> <tr> <td style="padding: 5px;">30</td> <td style="padding: 5px;">B</td> <td style="padding: 5px;">Q</td> <td style="padding: 5px;">100</td> <td style="padding: 5px;">TR</td> <td style="padding: 5px;">PbF</td> </tr> <tr> <td style="text-align: center;">①</td> <td style="text-align: center;">②</td> <td style="text-align: center;">③</td> <td style="text-align: center;">④</td> <td style="text-align: center;">⑤</td> <td style="text-align: center;">⑥</td> </tr> </table>	30	B	Q	100	TR	PbF	①	②	③	④	⑤	⑥
30	B	Q	100	TR	PbF								
①	②	③	④	⑤	⑥								
<b>1</b>	- Current Rating												
<b>2</b>	- B = Single Lead Diode												
<b>3</b>	- Q = Schottky Q Series												
<b>4</b>	- Voltage Rating (100 = 100V)												
<b>5</b>	- <ul style="list-style-type: none"> <li>• none = Box (1000 pieces)</li> <li>• TR = Tape &amp; Reel (3000 pieces)</li> </ul>												
<b>6</b>	- <ul style="list-style-type: none"> <li>• none = Standard Production</li> <li>• PbF = Lead-Free</li> </ul>												

Data and specifications subject to change without notice.  
 This product has been designed and qualified for Industrial Level and Lead-Free.  
 Qualification Standards can be found on IR's Web site.



## Notice

The products described herein were acquired by Vishay Intertechnology, Inc., as part of its acquisition of International Rectifier's Power Control Systems (PCS) business, which closed in April 2007. Specifications of the products displayed herein are pending review by Vishay and are subject to the terms and conditions shown below.

Specifications of the products displayed herein are subject to change without notice. Vishay Intertechnology, Inc., or anyone on its behalf, assumes no responsibility or liability for any errors or inaccuracies.

Information contained herein is intended to provide a product description only. No license, express or implied, by estoppel or otherwise, to any intellectual property rights is granted by this document. Except as provided in Vishay's terms and conditions of sale for such products, Vishay assumes no liability whatsoever, and disclaims any express or implied warranty, relating to sale and/or use of Vishay products including liability or warranties relating to fitness for a particular purpose, merchantability, or infringement of any patent, copyright, or other intellectual property right.

The products shown herein are not designed for use in medical, life-saving, or life-sustaining applications. Customers using or selling these products for use in such applications do so at their own risk and agree to fully indemnify Vishay for any damages resulting from such improper use or sale.

International Rectifier®, IR®, the IR logo, HEXFET®, HEXSense®, HEXDIP®, DOL®, INTERO®, and POWIRTRAIN® are registered trademarks of International Rectifier Corporation in the U.S. and other countries. All other product names noted herein may be trademarks of their respective owners.



单击下面可查看定价，库存，交付和生命周期等信息

[>>Vishay\(威世\)](#)