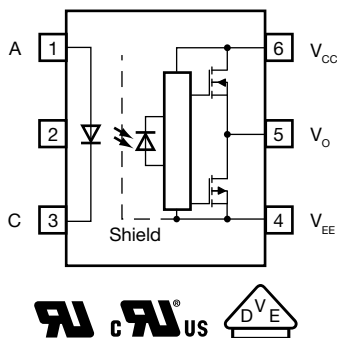




4 A Output Current IGBT and MOSFET Driver



DESCRIPTION

The VOFD343A consists of a AlGaAs LED optically coupled to an integrated circuit with a power output stage. This optocoupler is ideally suited for driving power IGBTs and MOSFETs used in motor control inverter applications. The high operating voltage range of the output stage provides the drive voltages required by gate controlled devices. The VOFD343A is ideally suited for directly driving IGBTs with ratings up to 1200 V / 100 A. For IGBTs with higher ratings, the VOFD343A can be used to drive a discrete power stage which drives the IGBT gate.

FEATURES

- 3.0 A minimum peak current
- 4.0 A peak maximum output current
- Rail-to-rail output stage
- Maximum propagation delay 200 ns
- Maximum propagation delay difference 100 ns
- 35 kV/ μ s common mode rejection ratio
- Wide operating range of 15 V to 30 V
- Extended temperature range of -40 °C to +125 °C
- Material categorization: for definitions of compliance please see www.vishay.com/doc?99912



RoHS
COMPLIANT

APPLICATIONS

- Isolated IGBT / MOSFET gate driver
- AC and brushless DC motor drives
- Induction stove top
- Industrial inverters
- Uninterruptible power supplies (UPS)

AGENCY APPROVALS

- UL1577 (pending)
- cUL (pending)
- DIN EN 60747-5-5 (VDE 0884-5), available with option 1 (pending)

LINKS TO ADDITIONAL RESOURCES



3D Models



Design Tools



Related Documents



Evaluation Boards



ORDERING INFORMATION	
<div style="display: flex; justify-content: space-around; align-items: center;"> <div style="border: 1px solid black; padding: 2px 5px;">V</div> <div style="border: 1px solid black; padding: 2px 5px;">O</div> <div style="border: 1px solid black; padding: 2px 5px;">F</div> <div style="border: 1px solid black; padding: 2px 5px;">D</div> <div style="border: 1px solid black; padding: 2px 5px;">3</div> <div style="border: 1px solid black; padding: 2px 5px;">4</div> <div style="border: 1px solid black; padding: 2px 5px;">3</div> <div style="border: 1px solid black; padding: 2px 5px;">A</div> <div style="border: 1px solid black; padding: 2px 5px;">-</div> <div style="border: 1px solid black; padding: 2px 5px;">X</div> <div style="border: 1px solid black; padding: 2px 5px;">0</div> <div style="border: 1px solid black; padding: 2px 5px;">#</div> <div style="border: 1px solid black; padding: 2px 5px;">#</div> <div style="border: 1px solid black; padding: 2px 5px;">T</div> </div> <p style="text-align: center; margin-top: 5px;"> PART NUMBER PACKAGE OPTION TAPE AND REEL </p>	
AGENCY CERTIFIED / PACKAGE	CMR (kV/μs)
UL, cUL	35
Stretched SO-6 (option 9)	VOFD343A-X009T
Stretched SO-6 (option 8)	VOFD343A-X008T
UL, cUL, VDE (option 1)	35
Stretched SO-6 (option 9)	VOFD343A-X019T
Stretched SO-6 (option 8)	VOFD343A-X018T

TRUTH TABLE			
LED	HIGH SIDE	LOW SIDE	V ₀
Off	Off	On	Low
On	On	Off	High

ABSOLUTE MAXIMUM RATINGS (T _{amb} = 25 °C, unless otherwise specified)				
PARAMETER	TEST CONDITION	SYMBOL	VALUE	UNIT
INPUT				
Forward current		I _F	25	mA
Peak transient input current	≤ 1 μs pulse width, 300 pps	I _{F(TRAN)}	1	A
Reverse input voltage		V _R	5	V
Input current (rise / fall time)		t _{r(in)} / t _{f(in)}	500	ns
Input power dissipation		P _{diss}	45	mW
OUTPUT				
High peak output current ⁽¹⁾		I _{OH(PEAK)}	4.0	A
Low peak output current ⁽¹⁾		I _{OL(PEAK)}	4.0	A
Supply voltage		(V _{CC} - V _{EE})	0 to +35	V
Output voltage		V _{O(PEAK)}	V _{CC}	V
Output power dissipation		P _{diss}	700	mW
Junction temperature		T _j	125	°C
OPTOCOUPLER				
Storage temperature range		T _S	-55 to +150	°C
Ambient operating temperature range		T _{amb}	-40 to +125	°C
Total power dissipation		P _{tot}	745	mW
Soldering temperature		T _{slid}	260	°C

Notes

- Stresses in excess of the absolute maximum ratings can cause permanent damage to the device. Functional operation of the device is not implied at these or any other conditions in excess of those given in the operational sections of this document. Exposure to absolute maximum ratings for extended periods of the time can adversely affect reliability.
- ⁽¹⁾ Exponential waveform, pulse width ≤ 0.3 μs, f ≤ 15 kHz



RECOMMENDED OPERATING CONDITION				
PARAMETER	SYMBOL	MIN.	MAX.	UNIT
Operating temperature	T_{amb}	-40	+125	°C
Power supply voltage	$V_{CC} - V_{EE}$	15	30	V
Forward current (V_O in "high" state) ⁽¹⁾	$I_{F(ON)}$	8	16	mA
Forward voltage (V_O in "low" state)	$V_{F(OFF)}$	-3.0	0.8	V
Operating frequency	f	0	75	kHz

Note

(1) The rise and fall times of the input on-current should be less than 0.5 μ s

ELECTRICAL CHARACTERISTICS ($T_{amb} = 25\text{ }^{\circ}\text{C}$, unless otherwise specified)						
PARAMETER	TEST CONDITION	SYMBOL	MIN.	TYP.	MAX.	UNIT
INPUT						
Forward voltage	$I_F = 10\text{ mA}$	V_F	1.2	1.37	1.8	V
Temperature coefficient of forward voltage	$I_F = 10\text{ mA}$	$\Delta V_F / \Delta T$	-	-2.0	-	mV/°C
Reverse breakdown voltage	$I_R = 10\text{ }\mu\text{A}$	BV_R	5	-	-	V
Threshold forward current (V_O from "low" to "high")	$V_{CC} = 30\text{ V}, V_O < 5\text{ V}$	I_{FLH}	-	2.5	5	mA
Threshold forward voltage (V_O from "high" to "low")	$V_{CC} = 30\text{ V}, V_O > 5\text{ V}$	V_{FLH}	0.8	-	-	V
Input capacitance	$f = 1\text{ MHz}, V_F = 0\text{ V}$	C_{IN}	-	33	-	pF
OUTPUT						
High level supply current	$I_F = 10\text{ mA}, V_{CC} = 30\text{ V}, V_O = \text{open}$	I_{CCH}	-	1.7	3.0	mA
Low level supply current	$I_F = 0\text{ mA}, V_{CC} = 30\text{ V}, V_O = \text{open}$	I_{CCL}	-	2.0	3.0	mA
High level output current	$V_O = (V_{CC} - 1.5\text{ V})$	$I_{OH}^{(1)}$	-	-	-1.0	A
	$V_O = (V_{CC} - 4\text{ V})$	$I_{OH}^{(2)}$	-	-	-3.0	A
Low level output current	$V_O = (V_{EE} + 1.5\text{ V})$	$I_{OL}^{(1)}$	1.0	-	-	A
	$V_O = (V_{EE} + 4\text{ V})$	$I_{OL}^{(2)}$	3.0	-	-	A
High level output voltage	$I_F = 10\text{ mA}, I_O = -100\text{ mA}$	V_{OH}	$V_{CC} - 0.3\text{ V}$	$V_{CC} - 0.1\text{ V}$	-	V
Low level output voltage	$I_F = 0\text{ mA}, I_O = 100\text{ mA}$	V_{OL}	-	$V_{EE} + 0.1\text{ V}$	$V_{EE} + 0.25\text{ V}$	V
UVLO threshold	$V_O > 5\text{ V}, I_F = 10\text{ mA}$	V_{UVLO+}	11.0	12.7	13.5	V
	$V_O < 5\text{ V}, I_F = 10\text{ mA}$	V_{UVLO-}	9.5	11.2	12.0	V
UVLO hysteresis		$UVLO_{HYS}$	-	1.5	-	V
COUPLER						
Input to output capacitance	$f = 1\text{ MHz}$	C_{IO}	-	0.92	-	pF

Notes

• All typical values at $T_{amb} = 25\text{ }^{\circ}\text{C}$ and $V_{CC} - V_{EE} = 30\text{ V}$, unless otherwise specified; all minimum and maximum specifications are at recommended operating condition

(1) Maximum pulse width = 50 μ s

(2) Maximum pulse width = 10 μ s

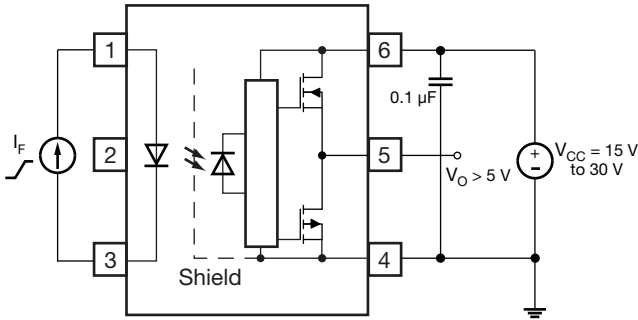
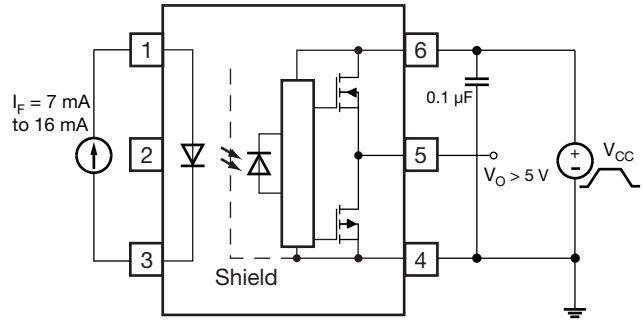
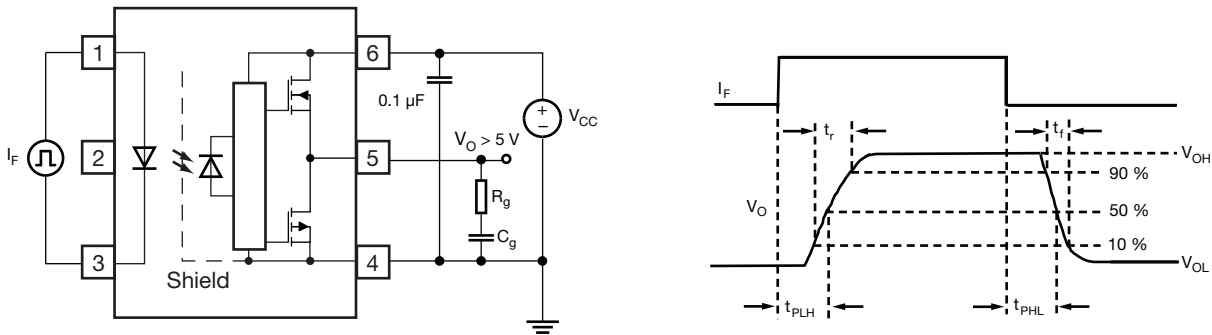
TEST CIRCUITS

 Fig. 1 - I_{FLH} Test Circuit


Fig. 2 - UVLO Test Circuit

SWITCHING CHARACTERISTICS ($T_{amb} = 25\text{ }^{\circ}\text{C}$, $V_{CC} - V_{EE} = 30\text{ V}$ unless otherwise specified)						
PARAMETER	TEST CONDITION	SYMBOL	MIN.	TYP.	MAX.	UNIT
Propagation delay time to $V_O = \text{"low"}$	$R_g = 10\ \Omega$, $C_g = 15\ \text{nF}$, $f = 20\ \text{kHz}$, duty cycle = 50 %, $I_F = 7\ \text{mA to } 16\ \text{mA}$, $V_{CC} = 15\ \text{V to } 30\ \text{V}$, $V_{EE} = \text{ground}$	t_{PHL}	50	-	200	ns
Propagation delay time to $V_O = \text{"high"}$		t_{PLH}	50	-	200	ns
Pulse width distortion		PWD	-	10	70	ns
Propagation delay difference ⁽¹⁾		PDD	-100	-	100	ns
Output rise time (10 % to 90 %)		t_r	-	35	-	ns
Output fall time (90 % to 10 %)		t_f	-	35	-	ns

Note

⁽¹⁾ The difference between t_{PHL} and t_{PLH} between any two parts, series parts, or channels under same test conditions


 Fig. 3 - t_{PLH} , t_{PHL} , t_r and t_f Test Circuit and Waveforms

COMMON MODE TRANSIENT IMMUNITY ($T_{amb} = 25\text{ }^{\circ}\text{C}$, $V_{CC} - V_{EE} = 30\text{ V}$ unless otherwise specified)						
PARAMETER	TEST CONDITION	SYMBOL	MIN.	TYP.	MAX.	UNIT
Common mode transient immunity at high level output ($V_O = \text{"high"}$) ⁽¹⁾	$I_F = 10\ \text{mA to } 16\ \text{mA}$, $V_{CM} = 1500\ \text{V}$, $V_{CC} = 30\ \text{V}$	$ CM_H $	35	50	-	kV/ μs
Common mode transient immunity at low level output ($V_O = \text{"low"}$) ⁽²⁾	$V_F = 0\ \text{V}$, $V_{CM} = 1500\ \text{V}$, $V_{CC} = 30\ \text{V}$	$ CM_L $	35	50	-	kV/ μs

Notes

⁽¹⁾ CM_H is the maximum rate of rise of the common mode voltage that can be sustained with the output voltage in the logic high state ($V_O > 15\ \text{V}$)

⁽²⁾ CM_L is the maximum rate of fall of the common mode voltage that can be sustained with the output voltage in the logic low state ($V_O < 1\ \text{V}$)

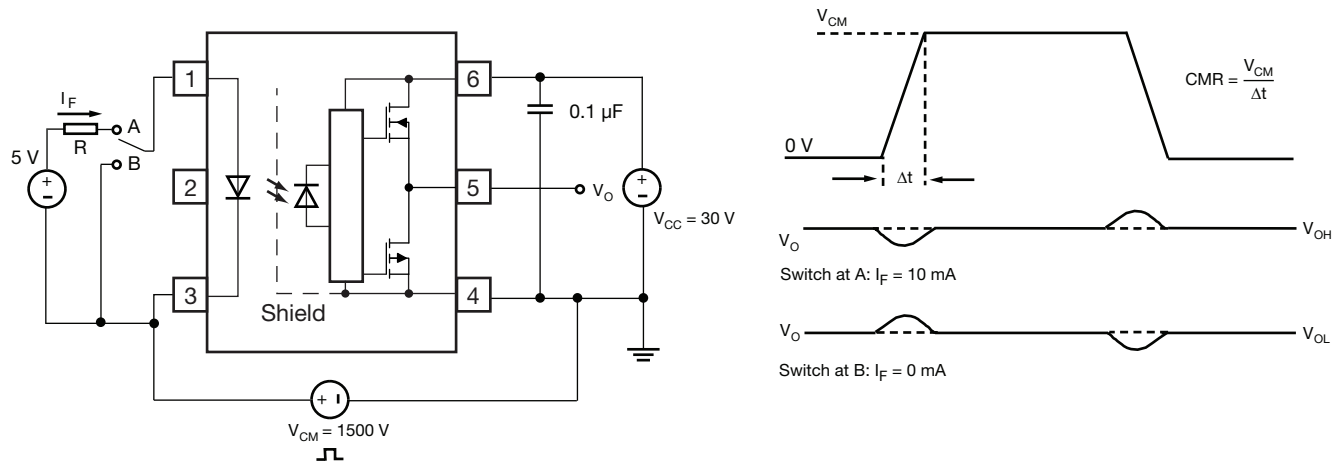


Fig. 4 - CMR Test Circuit and Waveforms

SAFETY AND INSULATION RATINGS				
PARAMETER	TEST CONDITION	SYMBOL	VALUE	UNIT
Climatic classification	According to IEC 68 part 1		55 / 125 / 21	
Pollution degree	According to DIN VDE 0109		2	
Comparative tracking index	Insulation group IIIa	CTI	275	
Maximum rated withstanding isolation voltage	According to UL1577, t = 1 min	V_{ISO}	5000	V_{RMS}
Maximum transient isolation voltage	According to DIN EN 60747-5-5, stretched SO-6 (option 9)	V_{IOTM}	6000	V_{peak}
	According to DIN EN 60747-5-5, stretched SO-6 (option 8)		8000	V_{peak}
Maximum repetitive peak isolation voltage	According to DIN EN 60747-5-5, stretched SO-6 (option 9)	V_{IORM}	891	V_{peak}
	According to DIN EN 60747-5-5, stretched SO-6 (option 8)		1140	V_{peak}
Isolation resistance	$T_{amb} = 25\text{ }^{\circ}\text{C}$, $V_{IO} = 500\text{ V}$	R_{IO}	$\geq 10^{12}$	Ω
Output safety power		P_{SO}	600	mW
Input safety current		I_{SI}	150	mA
Input safety temperature		T_S	175	$^{\circ}\text{C}$
Creepage distance	Stretched SO-6 (option 9)		≥ 7	mm
	Stretched SO-6 (option 8)		≥ 8	mm
Clearance distance	Stretched SO-6 (option 9)		≥ 8	mm
	Stretched SO-6 (option 8)		≥ 8	mm
Insulation thickness		DTI	≥ 0.4	mm



TYPICAL CHARACTERISTICS ($T_{amb} = 25\text{ }^{\circ}\text{C}$, unless otherwise specified)

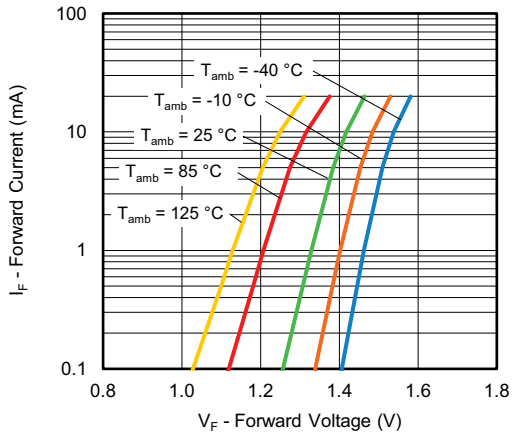


Fig. 5 - Forward Current vs. Forward Voltage

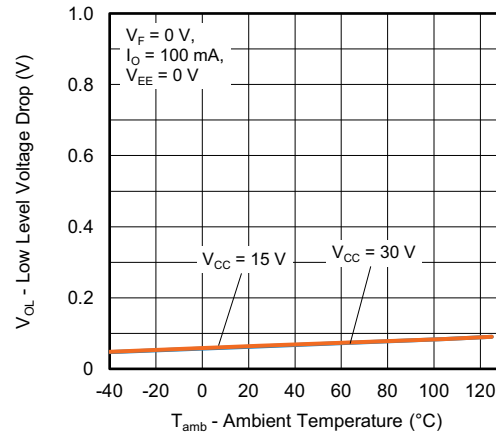


Fig. 8 - Low Level Voltage Drop vs. Ambient Temperature

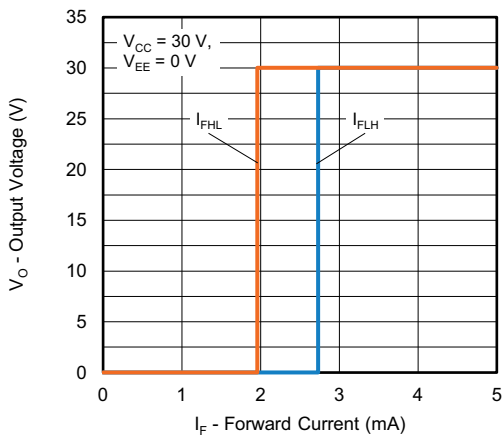


Fig. 6 - Output Voltage vs. Forward Current

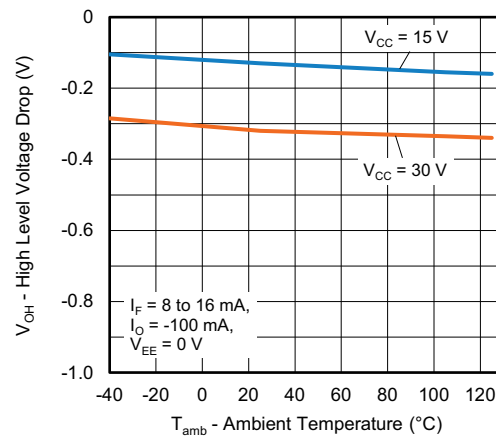


Fig. 9 - High Level Voltage Drop vs. Ambient Temperature

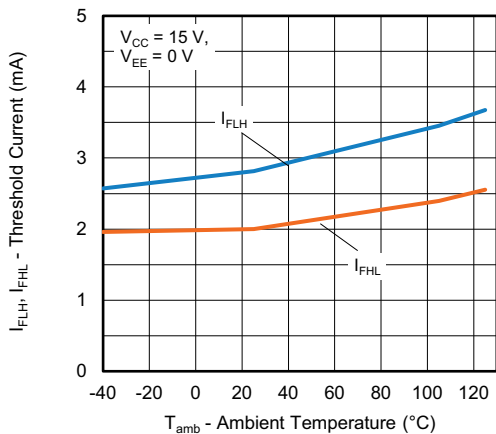


Fig. 7 - Threshold Current vs. Ambient Temperature

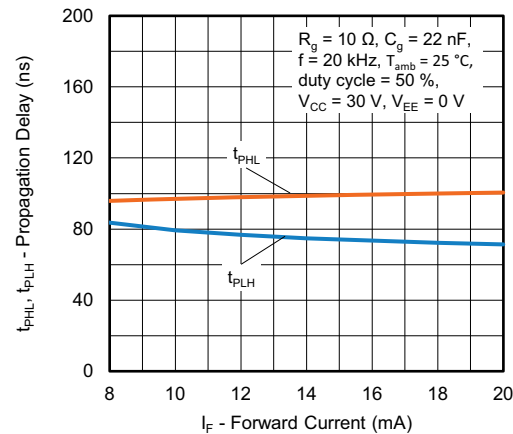


Fig. 10 - Propagation Delay vs. Forward Current

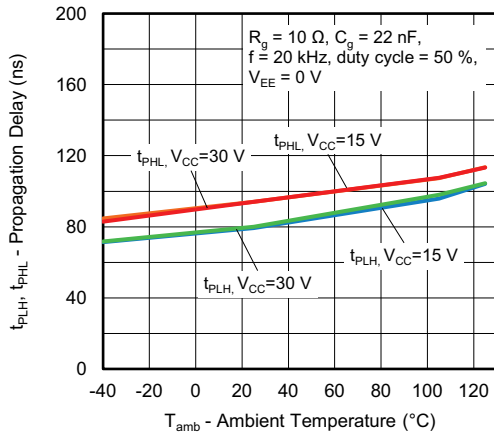


Fig. 11 - Propagation Delay vs. Ambient Temperature

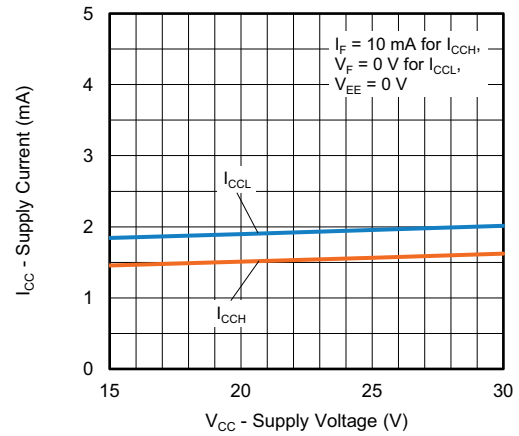


Fig. 13 - Supply Current vs. Supply Voltage

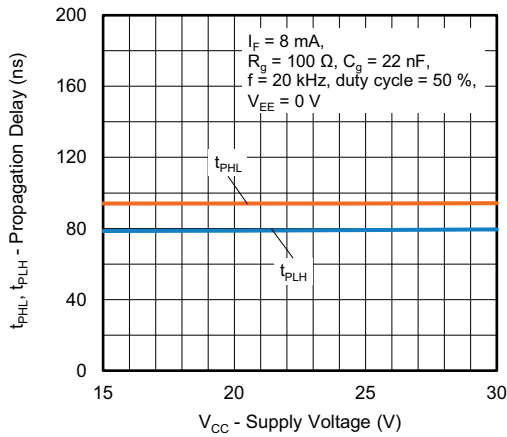


Fig. 12 - Propagation Delay vs. Supply Voltage

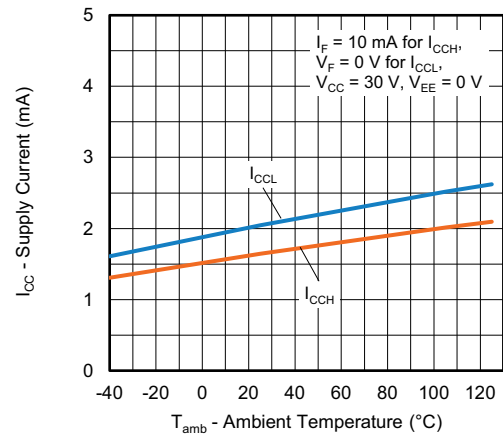


Fig. 14 - Supply Current vs. Ambient Temperature



PACKAGE DIMENSIONS (in millimeters)

Stretched SO-6 (option 9)

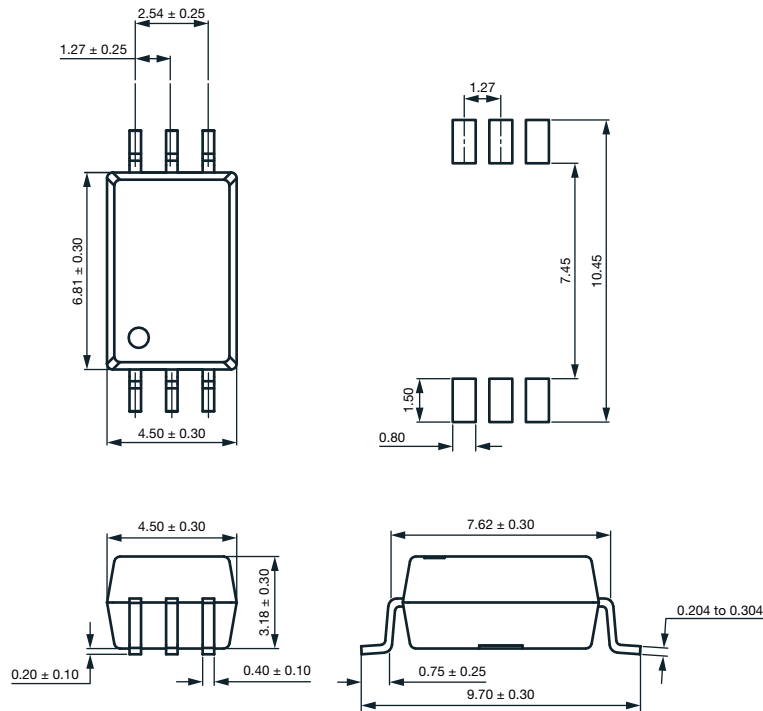


Fig. 15

Stretched SO-6 (option 8)

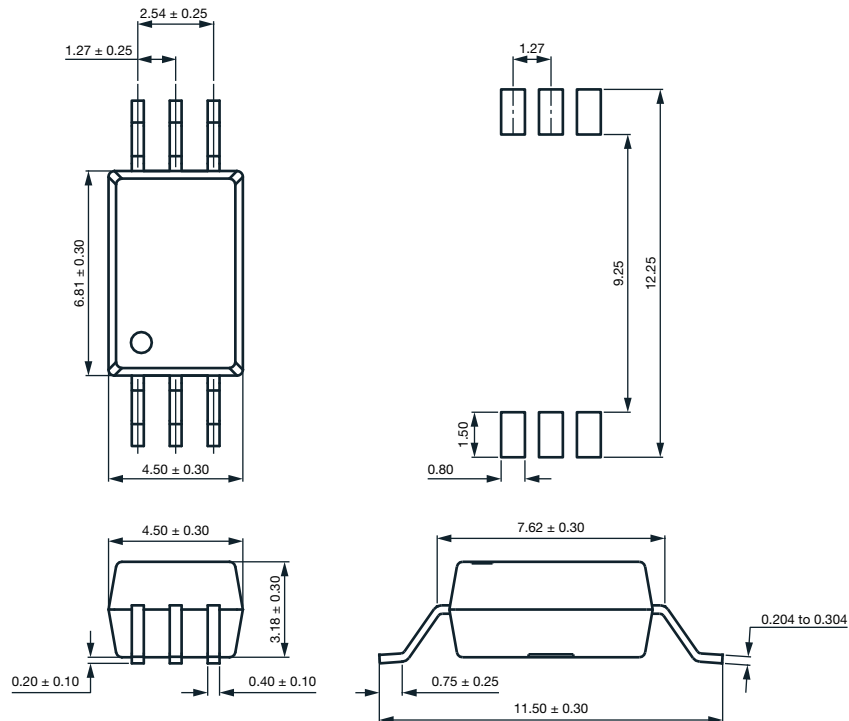


Fig. 16



PACKAGE MARKING

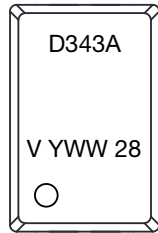


Fig. 17 - Example of VOFD343A-X009T



Fig. 18 - Example of VOFD343A-X018T

Notes

- “YWW” is the date code marking (Y = year code, WW = week code)
- “X1” extension is only marked on VDE option parts
- Tape and reel suffix (T) is not part of the package marking

PACKAGING INFORMATION (in millimeters)

Stretched SO-6 (option 9)

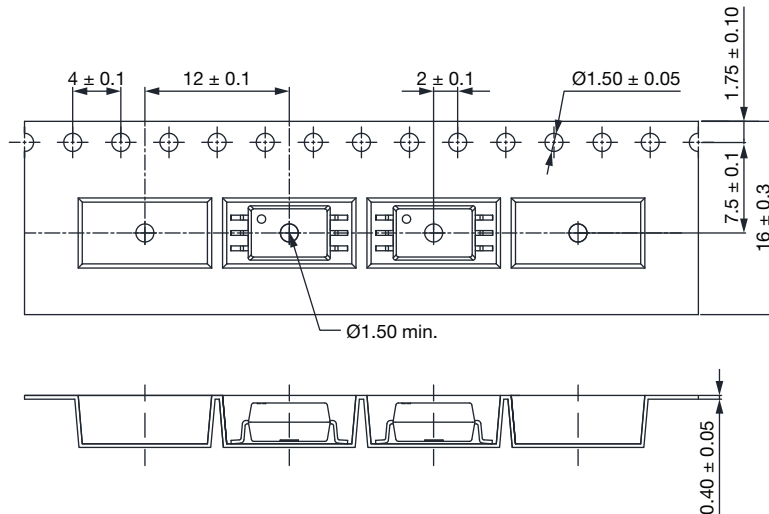


Fig. 19 - Tape and Reel Packaging (1000 pieces on reel)



Stretched SO-6 (option 8)

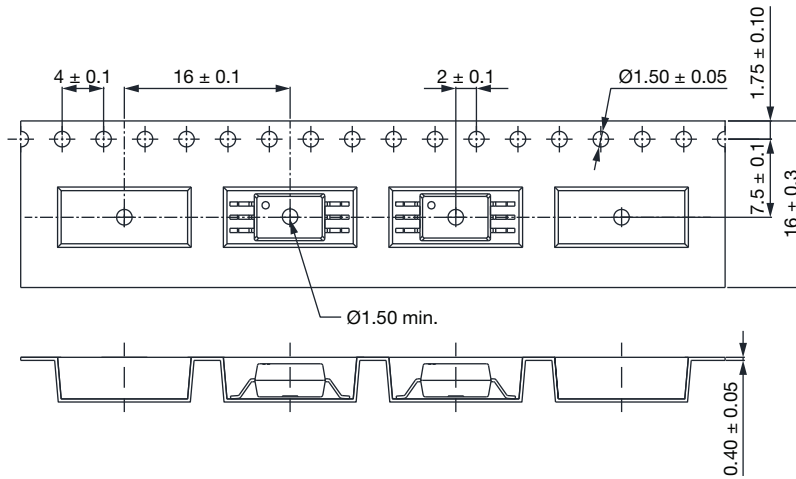


Fig. 20 - Tape and Reel Packaging (1000 pieces on reel)

Reel

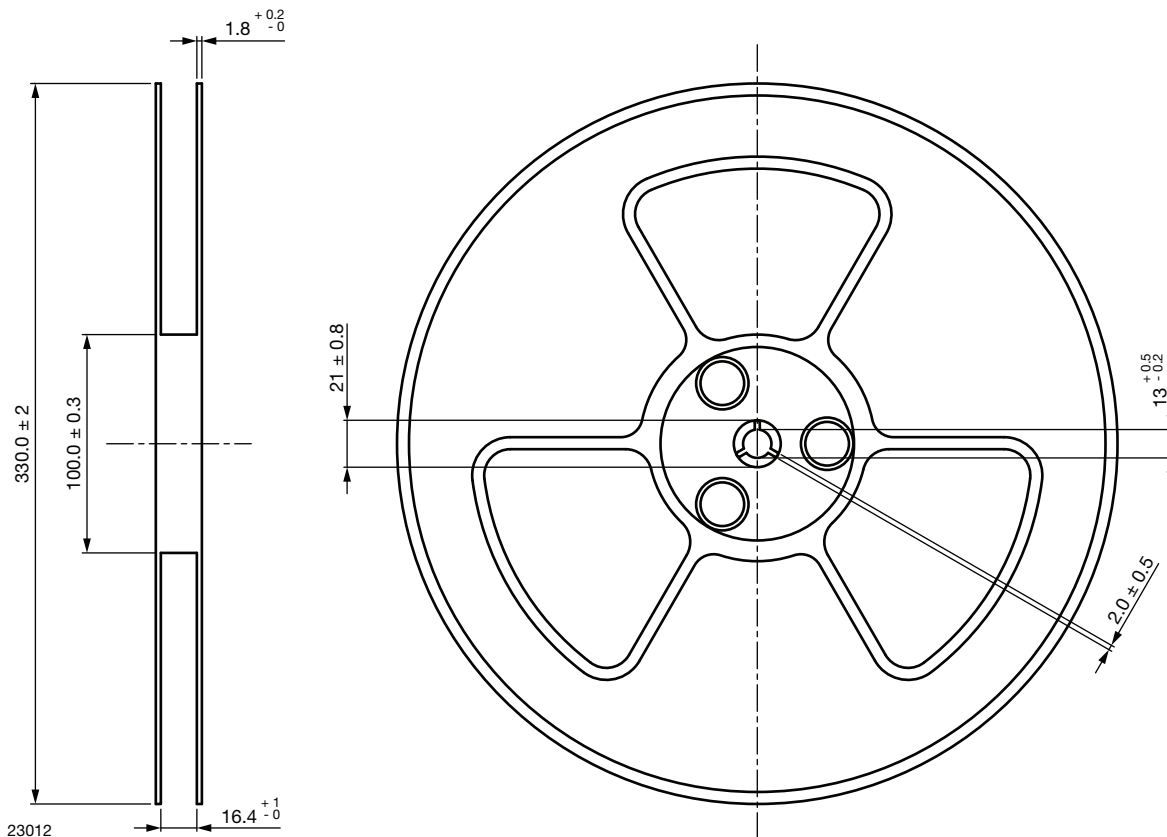


Fig. 21 - Tape and Reel Shipping Medium



SOLDER PROFILES

IR Reflow Soldering (JEDEC® J-STD-020C compliant)

One time soldering reflow is recommended within the condition of temperature and time profile shown below. Do not solder more than three times.

PROFILE ITEM	CONDITIONS
Preheat	
- Temperature minimum ($T_{S \text{ min.}}$)	150 °C
- Temperature maximum ($T_{S \text{ max.}}$)	200 °C
- Time (min. to max.) (t_s)	90 s ± 30 s
Soldering zone	
- Temperature (T_L)	217 °C
- Time (t_L)	60 s
Peak temperature (T_p)	260 °C
Ramp-up rate	3 °C/s max.
Ramp-down rate	3 °C/s to 6 °C/s

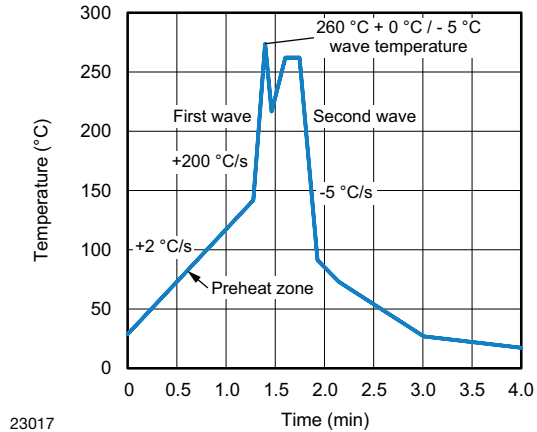


Fig. 2

23017

Hand Soldering by Soldering Iron

Allow single lead soldering in every single process. One time soldering is recommended.

Temperature: 380 °C + 0 °C / - 5 °C

Time: 3 s max.

HANDLING AND STORAGE CONDITIONS

ESD level: HBM class 2

Floor life: unlimited

Conditions: $T_{\text{amb}} < 30 \text{ °C}$, RH < 85 %

Moisture sensitivity level 1, according to J-STD-020

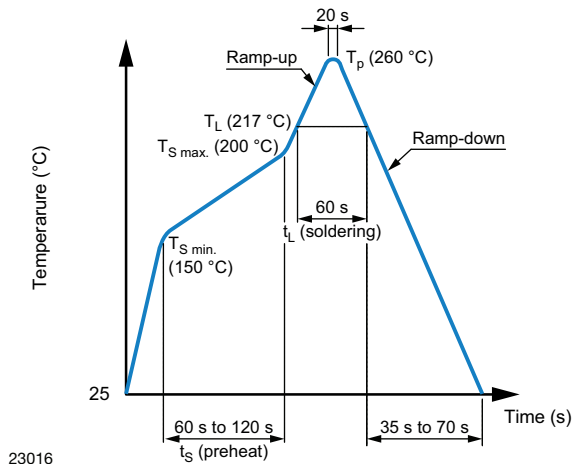


Fig. 1

Wave Soldering (JEDEC JESD22-A111 compliant)

One time soldering is recommended within the condition of temperature.

Temperature: 260 °C + 0 °C / - 5 °C

Time: 10 s

Preheat temperature: 25 °C to 140 °C

Preheat time: 30 s to 80 s



Disclaimer

ALL PRODUCT, PRODUCT SPECIFICATIONS AND DATA ARE SUBJECT TO CHANGE WITHOUT NOTICE TO IMPROVE RELIABILITY, FUNCTION OR DESIGN OR OTHERWISE.

Vishay Intertechnology, Inc., its affiliates, agents, and employees, and all persons acting on its or their behalf (collectively, "Vishay"), disclaim any and all liability for any errors, inaccuracies or incompleteness contained in any datasheet or in any other disclosure relating to any product.

Vishay makes no warranty, representation or guarantee regarding the suitability of the products for any particular purpose or the continuing production of any product. To the maximum extent permitted by applicable law, Vishay disclaims (i) any and all liability arising out of the application or use of any product, (ii) any and all liability, including without limitation special, consequential or incidental damages, and (iii) any and all implied warranties, including warranties of fitness for particular purpose, non-infringement and merchantability.

Statements regarding the suitability of products for certain types of applications are based on Vishay's knowledge of typical requirements that are often placed on Vishay products in generic applications. Such statements are not binding statements about the suitability of products for a particular application. It is the customer's responsibility to validate that a particular product with the properties described in the product specification is suitable for use in a particular application. Parameters provided in datasheets and / or specifications may vary in different applications and performance may vary over time. All operating parameters, including typical parameters, must be validated for each customer application by the customer's technical experts. Product specifications do not expand or otherwise modify Vishay's terms and conditions of purchase, including but not limited to the warranty expressed therein.

Hyperlinks included in this datasheet may direct users to third-party websites. These links are provided as a convenience and for informational purposes only. Inclusion of these hyperlinks does not constitute an endorsement or an approval by Vishay of any of the products, services or opinions of the corporation, organization or individual associated with the third-party website. Vishay disclaims any and all liability and bears no responsibility for the accuracy, legality or content of the third-party website or for that of subsequent links.

Except as expressly indicated in writing, Vishay products are not designed for use in medical, life-saving, or life-sustaining applications or for any other application in which the failure of the Vishay product could result in personal injury or death. Customers using or selling Vishay products not expressly indicated for use in such applications do so at their own risk. Please contact authorized Vishay personnel to obtain written terms and conditions regarding products designed for such applications.

No license, express or implied, by estoppel or otherwise, to any intellectual property rights is granted by this document or by any conduct of Vishay. Product names and markings noted herein may be trademarks of their respective owners.

单击下面可查看定价，库存，交付和生命周期等信息

[>>Vishay\(威世\)](#)