



High-Bandwidth, Low Voltage, Dual SPDT Analog Switch

FEATURES

- Single Supply (1.8 V to 5.5 V)
- Low On-Resistance - r_{ON} : 2.4 Ω
- Crosstalk and Off Isolation: -81 dB @ 1 MHz
- QFN-12 (3 x 3 mm) Package

BENEFITS

- Reduced Power Consumption
- High Accuracy
- Reduce Board Space
- Low-Voltage Logic Compatible
- High Bandwidth

APPLICATIONS

- Cellular Phones
- Speaker Headset Switching
- Audio and Video Signal Routing
- PCMCIA Cards
- Low-Voltage Data Acquisition
- ATE

DESCRIPTION

The DG2032 is a monolithic CMOS dual single-pole/double-throw (SPDT) analog switch. It is specifically designed for low-voltage, high bandwidth applications.

The DG2032's on-resistance (3 Ω @ 2.7 V), matching and flatness are guaranteed over the entire analog voltage range. Wide dynamic performance is achieved with better than -80 dB for both cross-talk and off-isolation at 1 MHz.

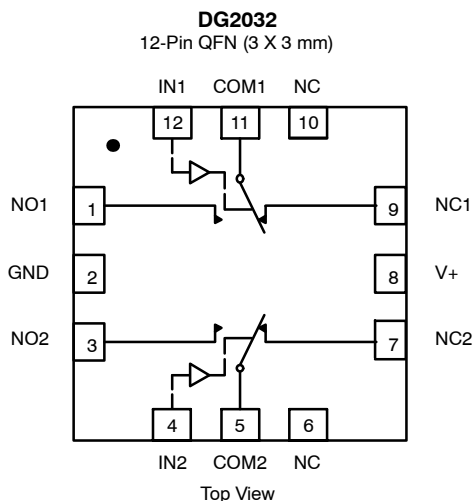
Both SPDT's operate with independent control logic, conduct equally well in both directions and block signals up to the

power supply level when off. Break-before-make is guaranteed.

With fast switching speeds, low on-resistance, high bandwidth, and low charge injection, the DG2032 is ideally suited for audio and video switching with high linearity.

Built on Vishay Siliconix's low voltage CMOS technology, the DG2032 contains an epitaxial layer which prevents latch-up.

FUNCTIONAL BLOCK DIAGRAM AND PIN CONFIGURATION



TRUTH TABLE		
Logic	NC1 and NC2	NO1 and NO2
0	ON	OFF
1	OFF	ON

ORDERING INFORMATION		
Temp Range	Package	Part Number
-40 to 85°C	12-Pin QFN (3 x 3 mm)	DG2032DN

ABSOLUTE MAXIMUM RATINGS

Reference to GND

V+	-0.3 to +6 V
IN, COM, NC, NO ^a	-0.3 to (V+ + 0.3 V)
Continuous Current (Any terminal)	±50 mA
Peak Current (Pulsed at 1 ms, 10% duty cycle)	±200 mA
Storage Temperature (D Suffix)	-65 to 150°C
Power Dissipation (Packages) ^b	
12-Pin QFN (3 x 3) ^c	1295 mW
Package Solder Reflow Conditions ^d	
12-Pin QFN (3 x 3)	240°C

Notes:

- Signals on NC, NO, or COM or IN exceeding V+ will be clamped by internal diodes. Limit forward diode current to maximum current ratings.
- All leads welded or soldered to PC Board.
- Derate 16.2 mW/°C above 70°C
- Manual soldering with an iron is not recommended for leadless components. The QFN is a leadless package. The end of the lead terminal is exposed copper (not plated) as a result of the singulation process in manufacturing. A solder fillet at the exposed copper lip cannot be guaranteed and is not required to ensure adequate bottom side solder interconnection.

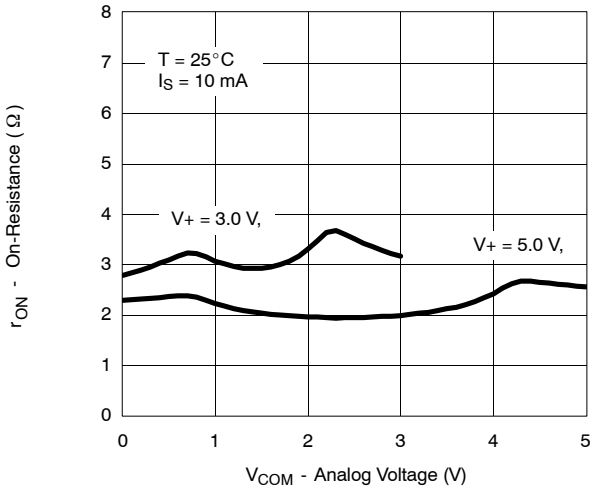
SPECIFICATIONS (V+ = 3 V)							
Parameter	Symbol	Test Conditions Otherwise Unless Specified V+ = 3 V, ±10%, VIN = 0.4 or 2.0 V ^e	Temp ^a	Limits -40 to 85°C			Unit
				Min ^b	Typ ^c	Max ^b	
Analog Switch							
Analog Signal Range ^d	VNO, VNC, VCOM		Full	0		V+	V
On-Resistance	rON	V+ = 2.7 V, VCOM = 0.2 V/1.5 V INO, INC = 10 mA	Room Full		3.0	5 6.5	Ω
rON Flatness	rON Flatness	V+ = 2.7 V VCOM = 0 to V+, INO, INC = 10 mA	Room			1.6	
rON Match Between Channels	ΔrON		Room			0.4	
Switch Off Leakage Current	INO(off), INC(off)	V+ = 3.3 V, VNO, VNC = 0.3 V/3 V VCOM = 3 V/0.3 V	Room Full	-1 -10	0.01	1 10	nA
	ICOM(off)		Room Full	-1 -10	0.01	1 10	
Channel-On Leakage Current	ICOM(on)	V+ = 3.3 V, VNO, VNC = VCOM = 0.3 V/3 V	Room Full	-1 -10	0.01	1 10	
Digital Control							
Input High Voltage	VINH		Full	2.0			V
Input Low Voltage	VINL		Full			0.4	
Input Capacitance	Cin		Full		5		pF
Input Current	IINL or IINH	VIN = 0 or V+	Full	1		1	μA
Dynamic Characteristics							
Turn-On Time	tON	VNO or VNC = 2.0 V, RL = 50 Ω, CL = 35 pF	Room Full		28	53 59	ns
Turn-Off Time	tOFF		Room Full		13	38 38	
Break-Before-Make Time	td	VNO or VNC = 2.0 V, RL = 50 Ω, CL = 35 pF	Full	1			
Charge Injection ^d	QINJ	CL = 1 nF, VGEN = 0 V, RGEN = 0 Ω	Room		38		pC
Off-Isolation ^d	OIRR	RL = 50 Ω, CL = 5 pF, f = 1 MHz	Room		-78		dB
Crosstalk ^d	XTALK		Room		-82		
NO, NC Off Capacitance ^d	CNO(off)	VIN = 0 or V+, f = 1 MHz	Room		15		pF
	CNC(off)		Room		15		
Channel-On Capacitance ^d	CNO(on)		Room		49		
	CNC(on)		Room		45		
Power Supply							
Power Supply Current	I+	VIN = 0 or V+	Full		0.01	1.0	μA

Notes:

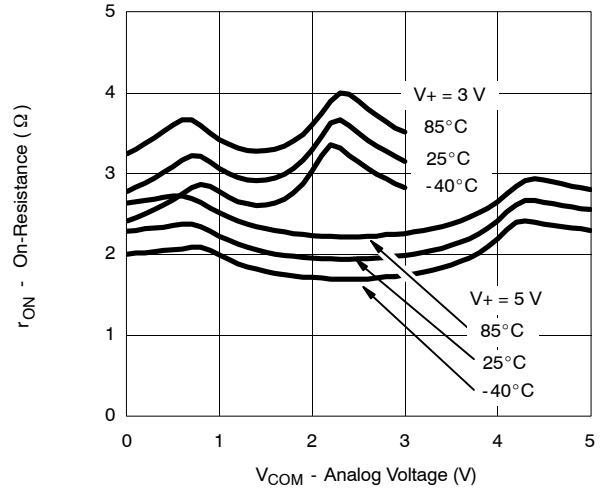
- Room = 25°C, Full = as determined by the operating suffix.
- Typical values are for design aid only, not guaranteed nor subject to production testing.
- The algebraic convention whereby the most negative value is a minimum and the most positive a maximum, is used in this data sheet.
- Guarantee by design, nor subjected to production test.
- VIN = input voltage to perform proper function.

TYPICAL CHARACTERISTICS (25°C UNLESS NOTED)

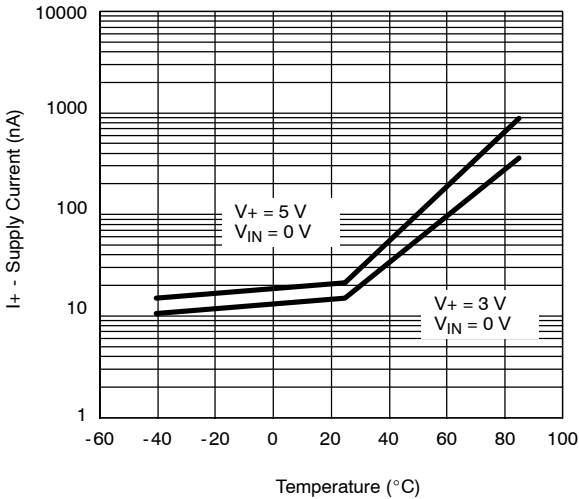
r_{ON} vs. V_{COM} and Supply Voltage



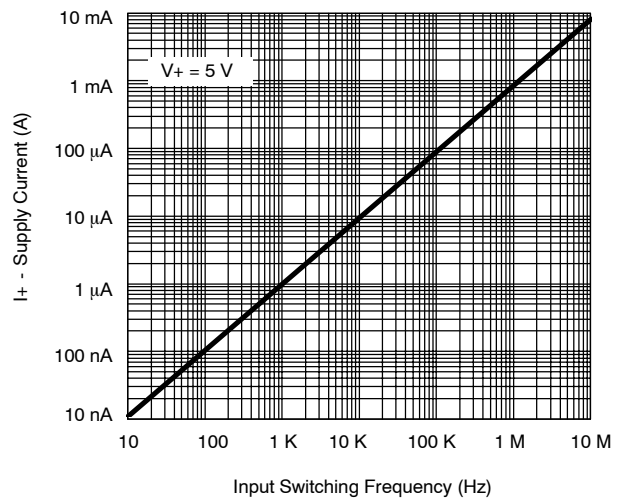
r_{ON} vs. Analog Voltage and Temperature



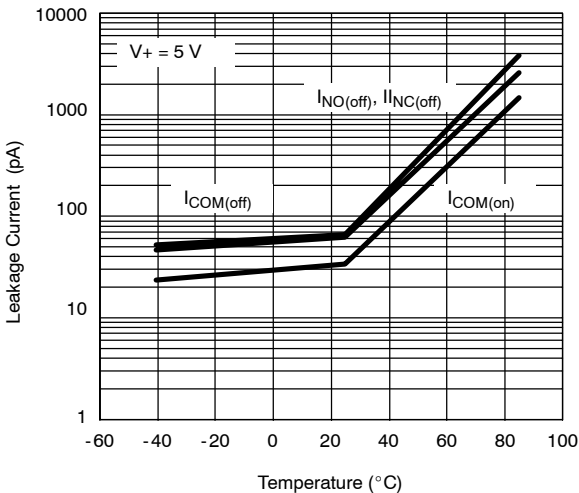
Supply Current vs. Temperature



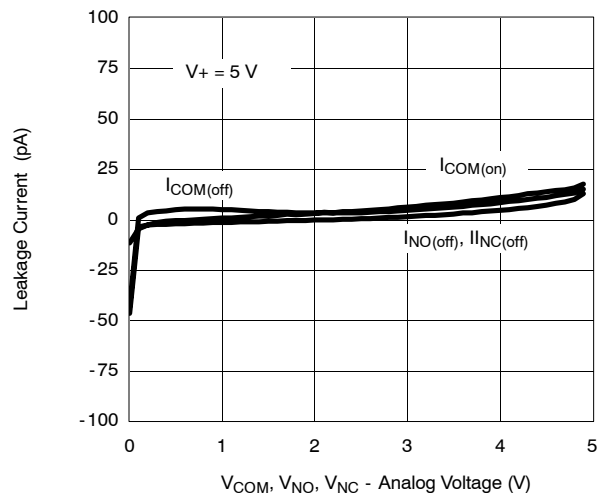
Supply Current vs. Input Switching Frequency



Leakage Current vs. Temperature

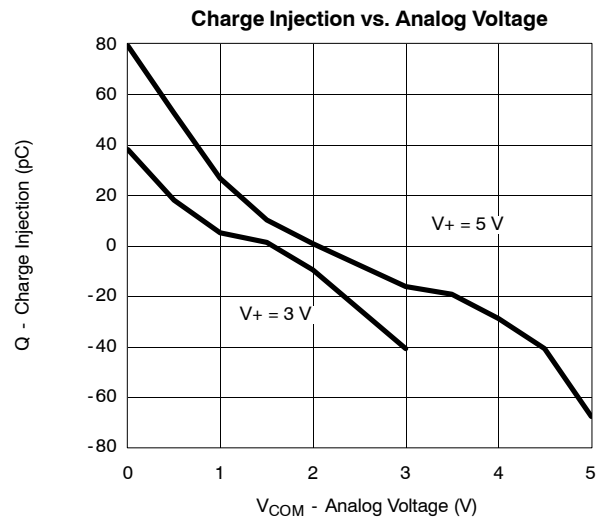
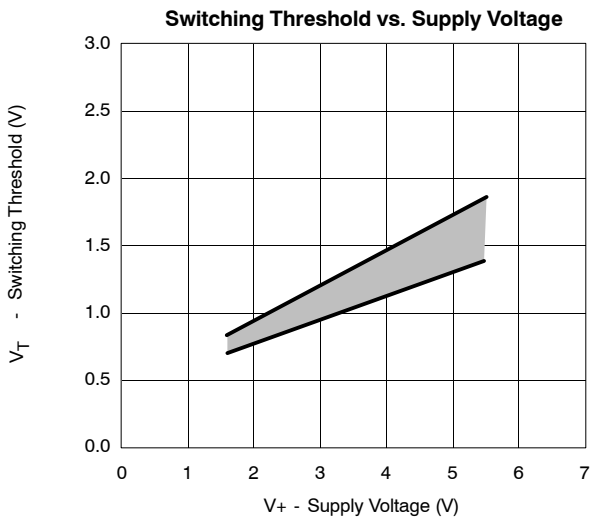
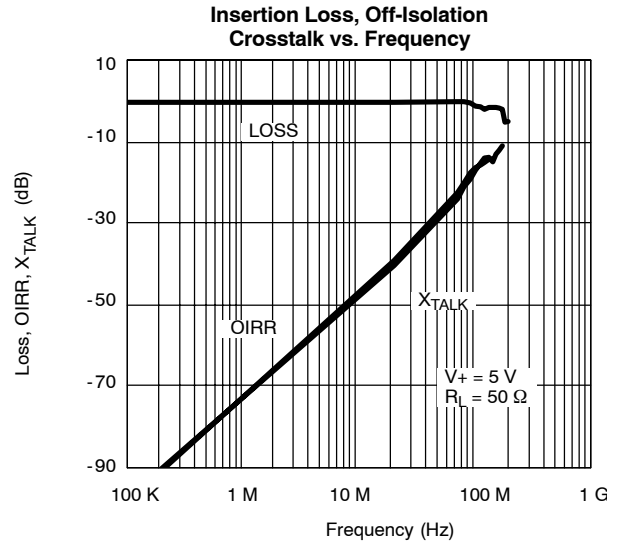
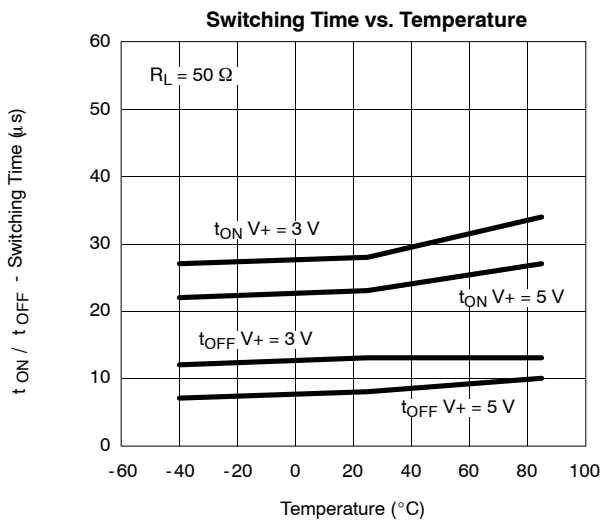


Leakage vs. Analog Voltage

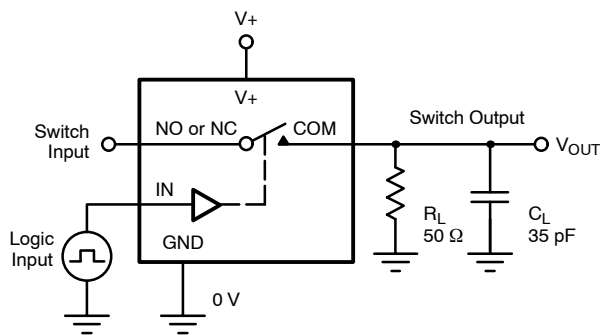




TYPICAL CHARACTERISTICS (25 °C UNLESS NOTED)

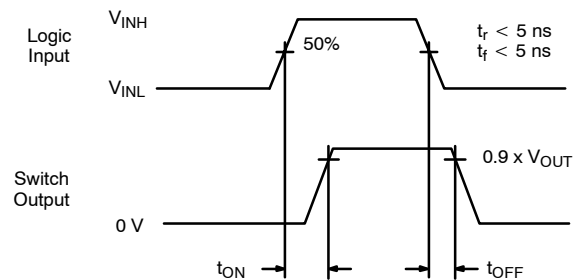


TEST CIRCUITS



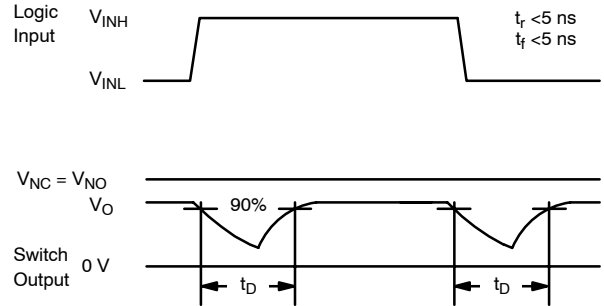
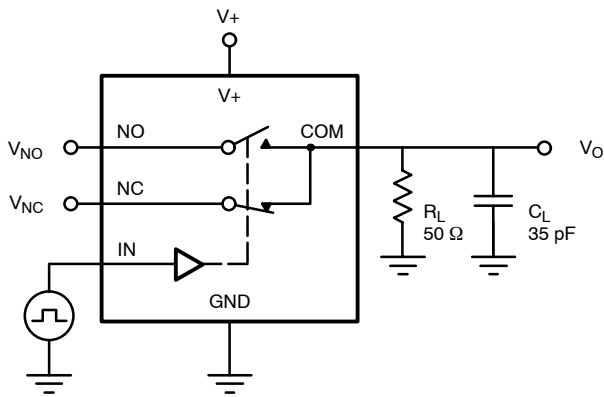
C_L (includes fixture and stray capacitance)

$$V_{OUT} = V_{COM} \left(\frac{R_L}{R_L + R_{ON}} \right)$$

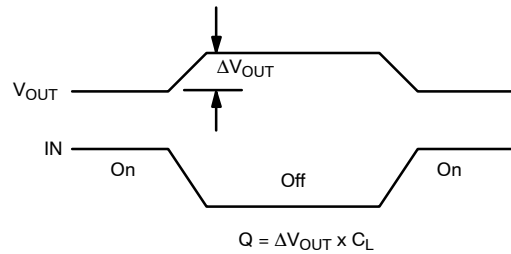
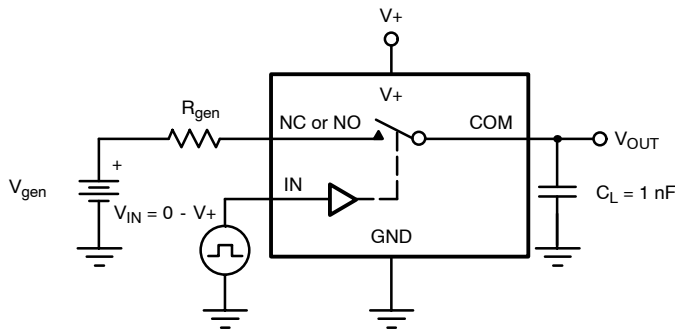


Logic "1" = Switch On
 Logic input waveforms inverted for switches that have the opposite logic sense.

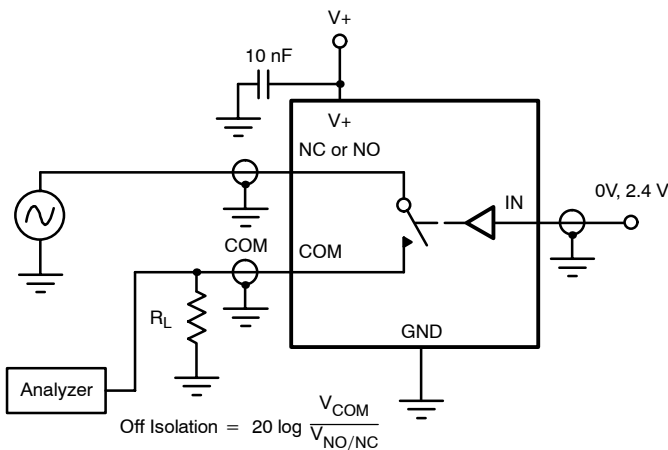
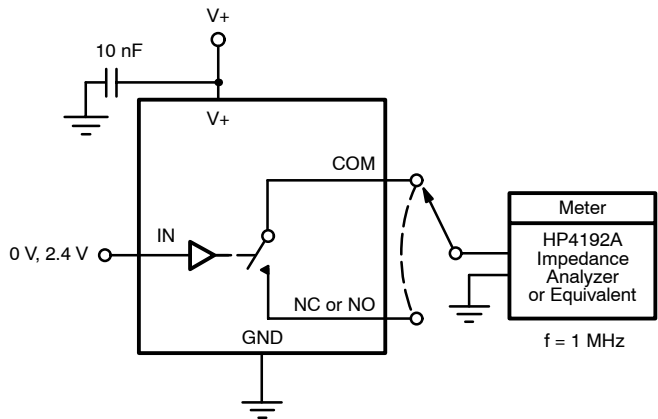
FIGURE 1. Switching Time

TEST CIRCUITS


C_L (includes fixture and stray capacitance)

FIGURE 5. Break-Before-Make Interval


IN depends on switch configuration: input polarity determined by sense of switch.

FIGURE 2. Charge Injection

FIGURE 3. Off-Isolation

FIGURE 4. Channel Off/On Capacitance



Disclaimer

All product specifications and data are subject to change without notice.

Vishay Intertechnology, Inc., its affiliates, agents, and employees, and all persons acting on its or their behalf (collectively, "Vishay"), disclaim any and all liability for any errors, inaccuracies or incompleteness contained herein or in any other disclosure relating to any product.

Vishay disclaims any and all liability arising out of the use or application of any product described herein or of any information provided herein to the maximum extent permitted by law. The product specifications do not expand or otherwise modify Vishay's terms and conditions of purchase, including but not limited to the warranty expressed therein, which apply to these products.

No license, express or implied, by estoppel or otherwise, to any intellectual property rights is granted by this document or by any conduct of Vishay.

The products shown herein are not designed for use in medical, life-saving, or life-sustaining applications unless otherwise expressly indicated. Customers using or selling Vishay products not expressly indicated for use in such applications do so entirely at their own risk and agree to fully indemnify Vishay for any damages arising or resulting from such use or sale. Please contact authorized Vishay personnel to obtain written terms and conditions regarding products designed for such applications.

Product names and markings noted herein may be trademarks of their respective owners.

单击下面可查看定价，库存，交付和生命周期等信息

[>>Vishay\(威世\)](#)