



0.37 Ω, Low Capacitance, Dual DPDT / Quad SPDT Analog Switch

DESCRIPTION

The DG2788A, is a four-channel single-pole double-throw (SPDT) analog switch with two control inputs. It is also known as a two-channel double-pole double-throw (DPDT) configuration. The part is designed to operate from 1.8 V to 5.5 V single power rail. All switches conduct equally well in both directions, offering rail to rail signal switching and can be used both as multiplexers as well as de-multiplexers.

The DG2788A offers low parasitic capacitance and highly matched low and flat switch resistance over the full signal range. It features break-before-make switching and low control logic threshold. The part supports rail to rail fast edge pulsing signals and have 0.1 ns/typ. propagation delay. It is ideal for both analog and digital signal switching in space constrain applications requiring high performance and efficient use of board space.

The DG2788A comes in a small miniQFN-16 lead package of 2.6 mm x 1.8 mm x 0.55 mm.

FEATURES

- 1.8 V to 5.5 V single supply operation
- Low resistance: 0.37 Ω/typ. at 2.7 V
- Highly flat and matched R_{ON}
- Low parasitic capacitance, $C_{ON} = 26$ pF, $C_{OFF} = 14.5$ pF
- High bandwidth: 338 MHz
- 0.1 ns/typ. propagation delay for rail to rail fast edge pulsing signal
- Guaranteed logic high 1.2 V, logic low 0.3 V
- Break before make switching
- Signal swing over $V+$ capable
- Power down protection
- Latch up current: 300 mA (JESD78)
- ESD / HBM: > 2 kV
- Material categorization: for definitions of compliance please see www.vishay.com/doc?99912



RoHS COMPLIANT

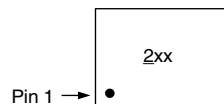
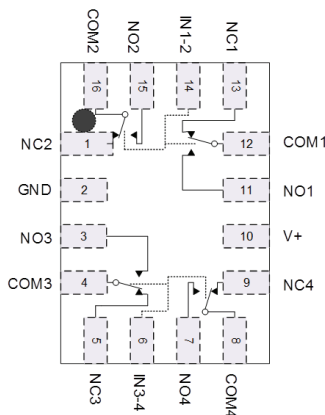
BENEFITS

- Low and flat resistance
- Excellent total harmonic distortion
- Low parasitic capacitance
- Low voltage control interface

APPLICATIONS

- Analog and digital signal switching
- SMA optical image stabilization
- Relay replacement
- Portable instrumentation
- Smart phones and tablets
- Modems and peripherals
- Data storage

FUNCTIONAL BLOCK DIAGRAM AND PIN CONFIGURATION



Pin 1 →

Device marking: 2xx

xx = date / lot traceability code
Note: pin 1 has long lead

TRUTH TABLE		
LOGIC	NC1, 2, 3 and 4	NO1, 2, 3 and 4
0	On	Off
1	Off	On



ORDERING INFORMATION			
TEMPERATURE RANGE	PACKAGE	PART NUMBER	MIN. ORDER / PACK. QUANTITY
-40 °C to +85 °C lead (Pb)-free	miniQFN-16	DG2788ADN-T1-GE4	Tape and reel, 3000 units

ABSOLUTE MAXIMUM RATINGS (T _A = 25 °C, unless otherwise noted)				
PARAMETER		SYMBOL	LIMIT	UNIT
Reference to GND	V+		-0.3 to +6	V
	IN, COM, NC, NO ^a		-0.3 to (V+ + 0.3)	
Current (any terminal except NO, NC, or COM)			30	mA
Continuous current (NO, NC, or COM)			± 300	
Peak current (pulsed at 1 ms, 10 % duty cycle)			± 500	
Storage temperature (D suffix)			-65 to +150	°C
Package solder reflow conditions ^d	miniQFN-16		250	
Power dissipation (packages) ^b	miniQFN-16 ^c		525	

Notes

- a. Signals on NC, NO, or COM, or IN exceeding V+ will be clamped by internal diodes. Limit forward diode current to maximum current ratings
- b. All leads welded or soldered to PC board
- c. Derate 6.6 mW/°C above 70 °C
- d. Manual soldering with iron is not recommended for leadless components. The miniQFN-16 is a leadless package. The end of the lead terminal is exposed copper (not plated) as a result of the singulation process in manufacturing. A solder fillet at the exposed copper lip cannot be guaranteed and is not required to ensure adequate bottom side solder interconnection



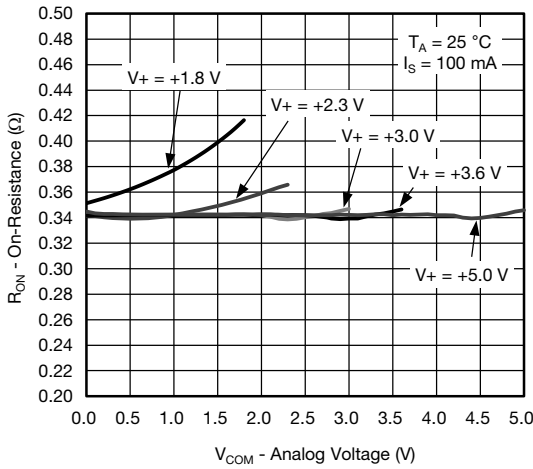
SPECIFICATIONS (V+ = 3 V)									
PARAMETER	SYMBOL	TEST CONDITIONS unless otherwise specified V+ = 3 V, ± 10 %, VIN = 0.5 or 1.4 V ^e	TEMP. ^a	LIMITS -40 °C to +85 °C			UNIT		
				MIN. ^b	TYP. ^c	MAX. ^b			
Analog Switch									
Analog signal range ^d	V _{NO} , V _{NC} , V _{COM}		Full	0	-	V+	V		
On-resistance	R _{ON}	V+ = 2.7 V, V _{COM} = 0 to 2.7 V, I _{NO} , I _{NC} = 100 mA	Room	-	0.37	0.5	Ω		
			Full	-	-	0.6			
R _{ON} flatness ^d	R _{ON} flatness	V+ = 2.7 V, V _{COM} = 0 to V+, I _{NO} , I _{NC} = 100 mA	Room	-	0.01	0.05	Ω		
R _{ON} match ^d	ΔR _{ON}		Room	-	0.05	-			
Switch off leakage current	I _{NO(off)} , I _{NC(off)}	V+ = 5.5 V, V _{NO} , V _{NC} = 0.5 V / 4 V, V _{COM} = 4 V / 0.5 V	Room	-0.1	-	0.1	μA		
			Full	-0.5	-	0.5			
	Room		-1.2	-	1.2				
	Full		-2	-	2				
Channel-on leakage current	I _{COM(on)}	V+ = 5.5 V, V _{NO} , V _{NC} = V _{COM} = 0.5 V / 4 V	Room	-1.2	-	1.2	μA		
			Full	-2	-	2			
Digital Control									
Input high voltage	V _{INH}		Full	1.2	-	-	V		
Input low voltage	V _{INL}		Full	-	-	0.3			
Input capacitance	C _{IN}		Full	-	5	-	pF		
Input current	I _{INL} or I _{INH}	V _{IN} = 0 or V+	Full	-1	-	1	μA		
Dynamic Characteristics									
Turn-on time	t _{ON}	V _{NO} or V _{NC} = 1.5 V, R _L = 50 Ω, C _L = 35 pF	Room	-	30	50	μs		
			Full	-	-	150			
Turn-off time	t _{OFF}		Room	-	0.35	1			
			Full	-	-	3			
Break-before-make time	t _d			Full	1	-		-	
Charge injection ^d	Q _{INJ}		C _L = 1 nF, V _{GEN} = 1.5 V, R _{GEN} = 0 Ω	Room	-	-245		-	pC
-3 dB bandwidth	BW	R _L = 50 Ω, C _L = 5 pF	Room	-	338	-	MHz		
Off-isolation ^d	OIRR	R _L = 50 Ω, C _L = 5 pF, f = 100 kHz	Room	-	-82	-	dB		
		R _L = 50 Ω, C _L = 5 pF, f = 1 MHz		-	-56	-			
Crosstalk ^{d, f}	X _{TALK}	R _L = 50 Ω, C _L = 5 pF, f = 100 kHz		-	-87	-			
		R _L = 50 Ω, C _L = 5 pF, f = 1 MHz		-	-61	-			
Total harmonic distortion and noise	THD+N	R _L = 50 Ω, 1 V _{p-p} , f = 1 kHz	Room	-	-104.1	-	dB		
NO, NC off capacitance ^d	C _{NO(off)}	f = 1 MHz	Room	-	14.5	-	pF		
	C _{NC(off)}		Room	-	14.5	-			
Channel-on capacitance ^d	C _{NO(on)}		Room	-	26	-			
	C _{NC(on)}		Room	-	26	-			
Power Supply									
Power supply range	V+				1.8	-		5.5	V
Power supply current	I+	V _{IN} = 0 or V+	Full	-	24	60	μA		

Notes

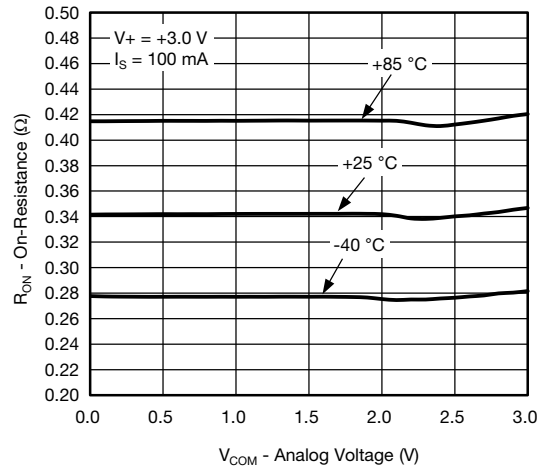
- a. Room = 25 °C, full = as determined by the operating suffix
- b. The algebraic convention whereby the most negative value is a minimum and the most positive a maximum, is used in this data sheet
- c. Typical values are for design aid only, not guaranteed nor subject to production testing
- d. Guarantee by design, not subjected to production test
- e. V_{IN} = input voltage to perform proper function
- f. Crosstalk measured between channels

Stresses beyond those listed under "Absolute Maximum Ratings" may cause permanent damage to the device. These are stress ratings only, and functional operation of the device at these or any other conditions beyond those indicated in the operational sections of the specifications is not implied. Exposure to absolute maximum rating conditions for extended periods may affect device reliability.

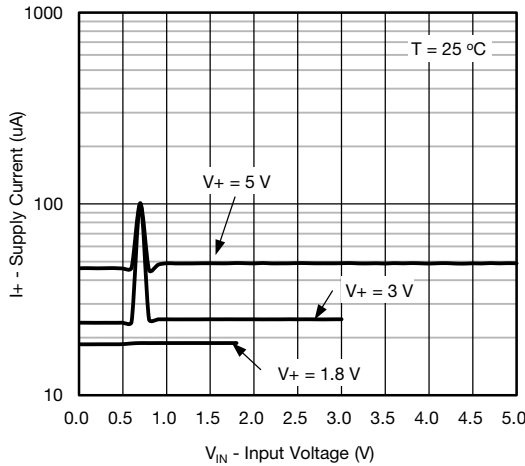
TYPICAL CHARACTERISTICS ($T_A = 25\text{ }^\circ\text{C}$, unless otherwise noted)



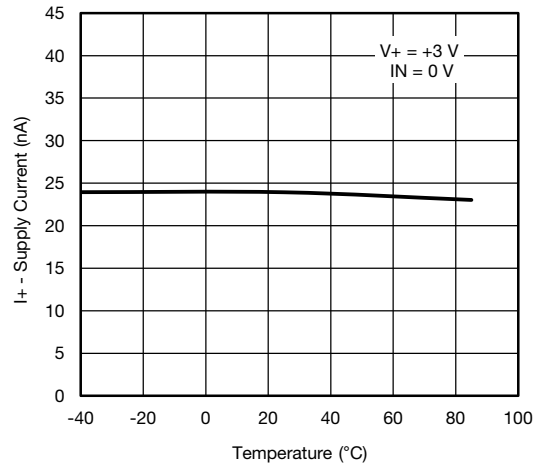
R_{ON} vs. V_{COM} and Supply Voltage



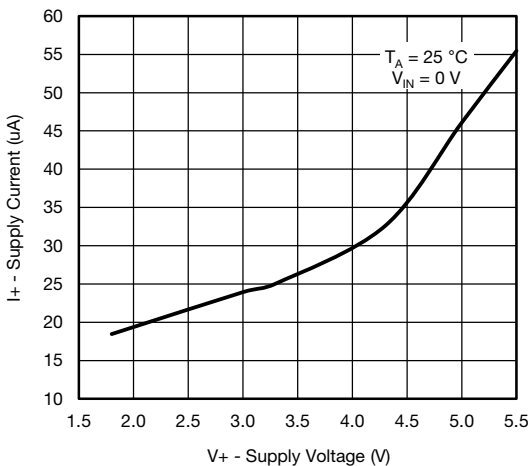
R_{ON} vs. Analog Voltage and Temperature



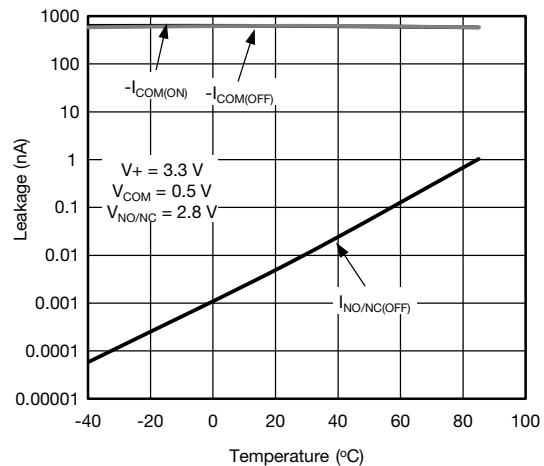
Supply Current vs. Input Voltage



Supply Current vs. Temperature

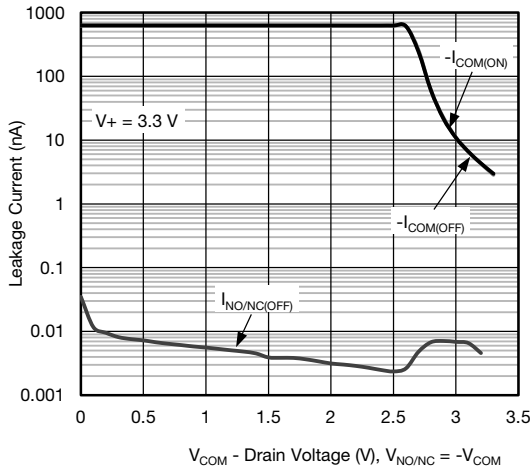


Supply Current vs. Supply Voltage

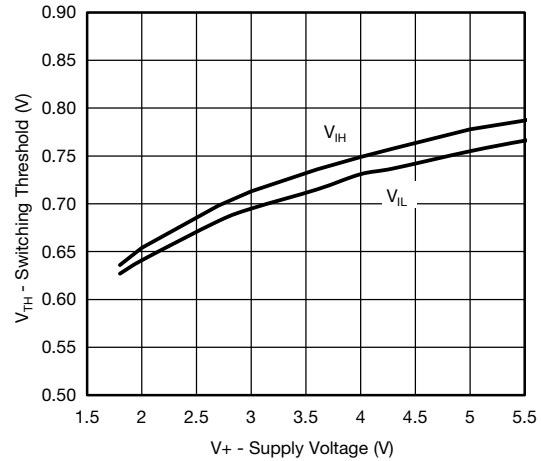


Leakage Current vs. Temperature

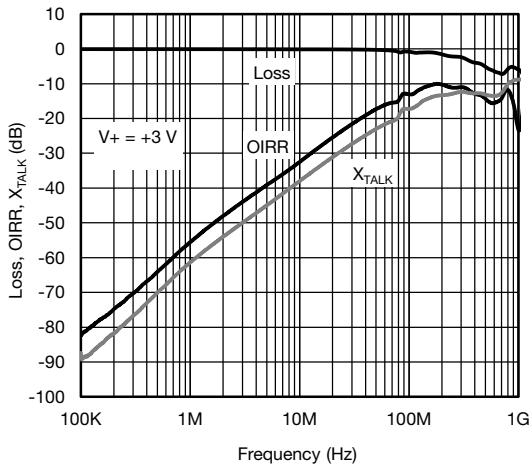
TYPICAL CHARACTERISTICS ($T_A = 25\text{ }^\circ\text{C}$, unless otherwise noted)



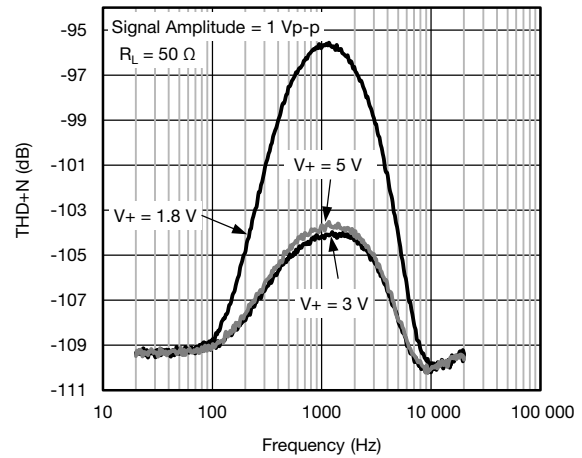
Leakage Current vs. Drain Voltage



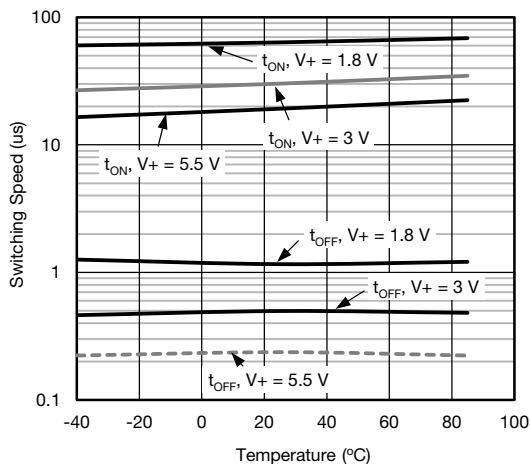
Switching Threshold vs. Supply Voltage



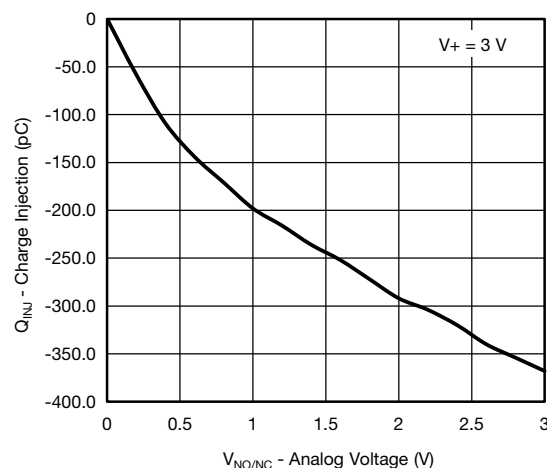
Insertion Loss, Off-Isolation Crosstalk vs. Frequency



Total Harmonic Distortion and Noise vs. Frequency

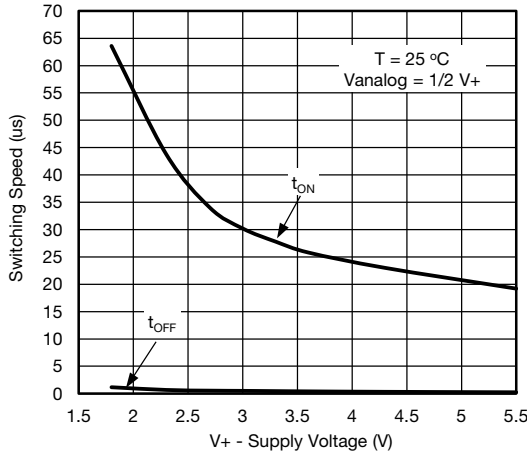


Switching Time vs. Temperature

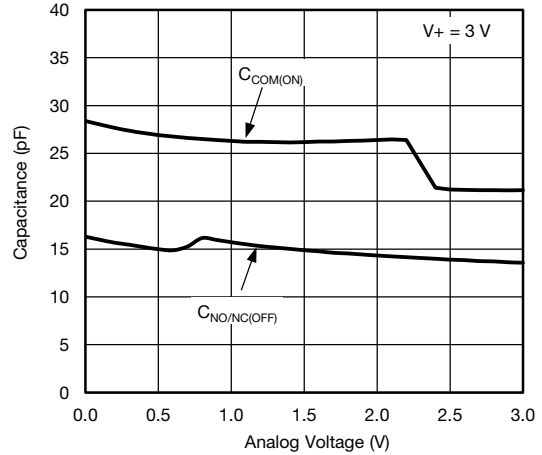


Charge Injection vs. Analog Voltage

TYPICAL CHARACTERISTICS ($T_A = 25\text{ }^\circ\text{C}$, unless otherwise noted)

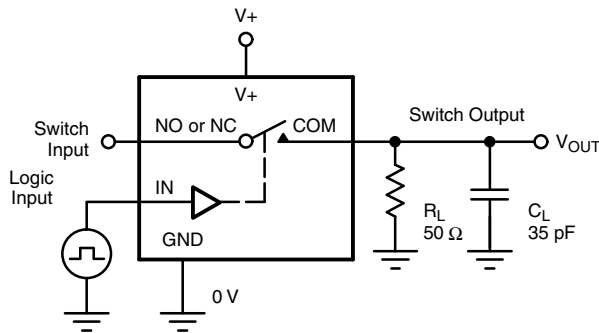


Switching Time vs. Supply Voltage



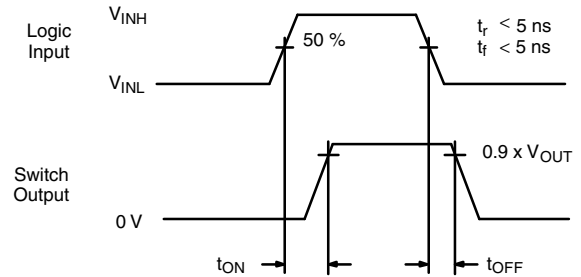
Capacitance vs. Analog Voltage

TEST CIRCUITS



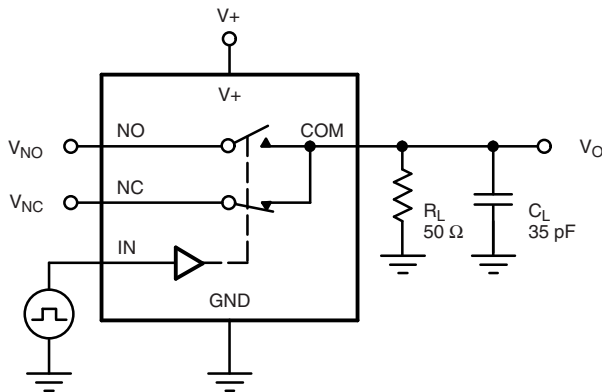
C_L (includes fixture and stray capacitance)

$$V_{OUT} = V_{COM} \left(\frac{R_L}{R_L + R_{ON}} \right)$$



Logic "1" = Switch On
Logic input waveforms inverted for switches that have the opposite logic sense.

Fig. 1 - Switching Time



C_L (includes fixture and stray capacitance)

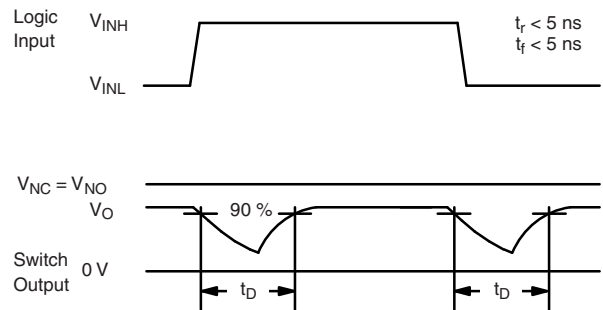
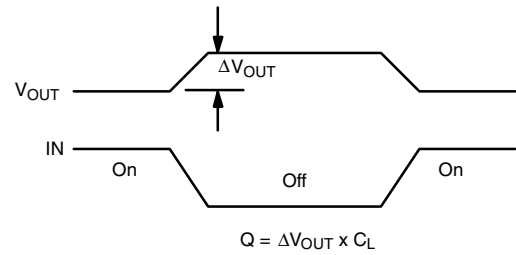
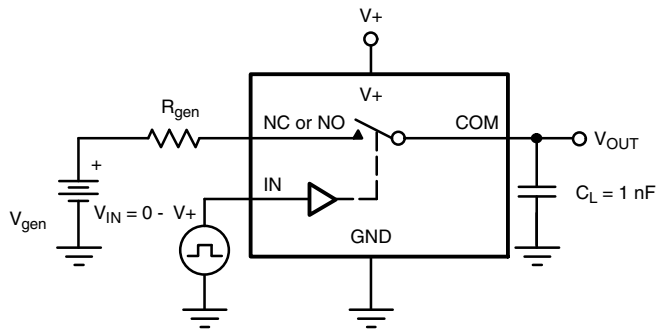


Fig. 2 - Break-Before-Make Interval



IN depends on switch configuration: input polarity determined by sense of switch.

Fig. 3 - Charge Injection

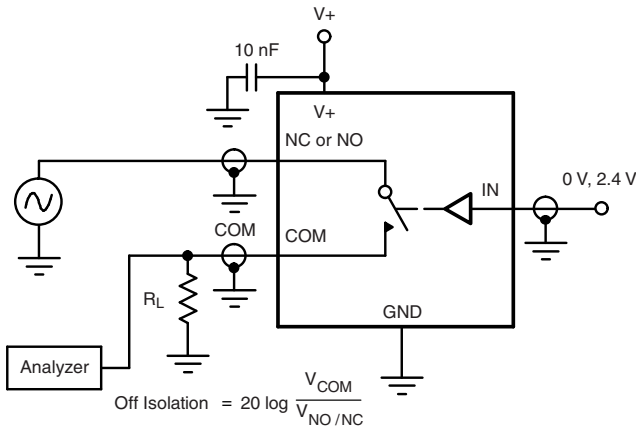


Fig. 4 - Off-Isolation

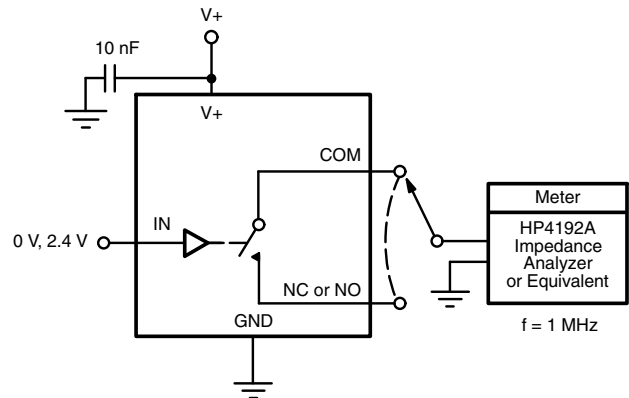
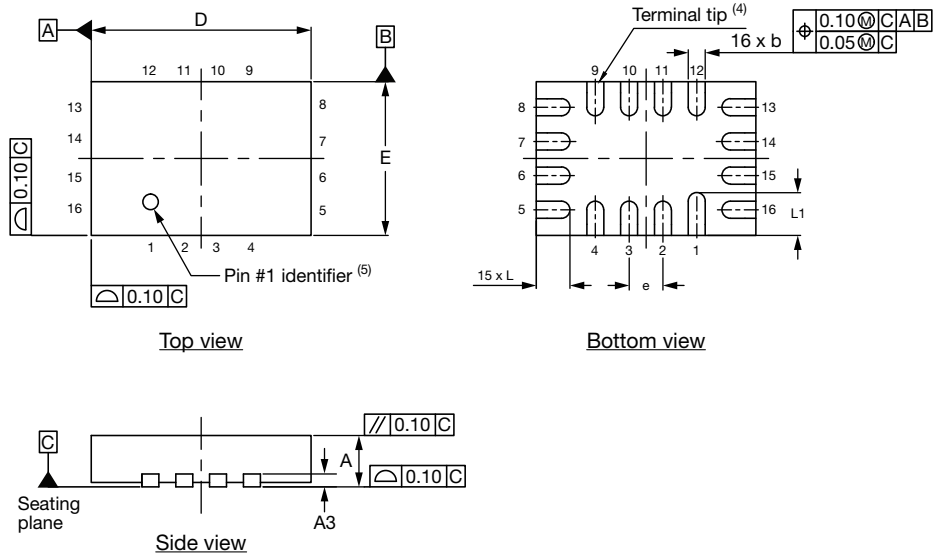


Fig. 5 - Channel Off / On Capacitance

Vishay Siliconix maintains worldwide manufacturing capability. Products may be manufactured at one of several qualified locations. Reliability data for Silicon Technology and Package Reliability represent a composite of all qualified locations. For related documents such as package / tape drawings, part marking, and reliability data, see www.vishay.com/ppg?79391.

Thin miniQFN16 Case Outline



DIMENSIONS	MILLIMETERS ⁽¹⁾			INCHES		
	MIN.	NOM.	MAX.	MIN.	NOM.	MAX.
A	0.50	0.55	0.60	0.020	0.022	0.024
A1	0	-	0.05	0	-	0.002
A3	0.15 ref.			0.006 ref.		
b	0.15	0.20	0.25	0.006	0.008	0.010
D	2.50	2.60	2.70	0.098	0.102	0.106
e	0.40 BSC			0.016 BSC		
E	1.70	1.80	1.90	0.067	0.071	0.075
L	0.35	0.40	0.45	0.014	0.016	0.018
L1	0.45	0.50	0.55	0.018	0.020	0.022
N ⁽³⁾	16			16		
Nd ⁽³⁾	4			4		
Ne ⁽³⁾	4			4		

Notes

- (1) Use millimeters as the primary measurement.
- (2) Dimensioning and tolerances conform to ASME Y14.5M. - 1994.
- (3) N is the number of terminals. Nd and Ne is the number of terminals in each D and E site respectively.
- (4) Dimensions b applies to plated terminal and is measured between 0.15 mm and 0.30 mm from terminal tip.
- (5) The pin 1 identifier must be existed on the top surface of the package by using identification mark or other feature of package body.
- (6) Package warpage max. 0.05 mm.

ECN: T16-0226-Rev. B, 09-May-16
 DWG: 6023

RECOMMENDED MINIMUM PADS FOR MINI QFN 16L



Mounting Footprint
Dimensions in mm (inch)



Disclaimer

ALL PRODUCT, PRODUCT SPECIFICATIONS AND DATA ARE SUBJECT TO CHANGE WITHOUT NOTICE TO IMPROVE RELIABILITY, FUNCTION OR DESIGN OR OTHERWISE.

Vishay Intertechnology, Inc., its affiliates, agents, and employees, and all persons acting on its or their behalf (collectively, "Vishay"), disclaim any and all liability for any errors, inaccuracies or incompleteness contained in any datasheet or in any other disclosure relating to any product.

Vishay makes no warranty, representation or guarantee regarding the suitability of the products for any particular purpose or the continuing production of any product. To the maximum extent permitted by applicable law, Vishay disclaims (i) any and all liability arising out of the application or use of any product, (ii) any and all liability, including without limitation special, consequential or incidental damages, and (iii) any and all implied warranties, including warranties of fitness for particular purpose, non-infringement and merchantability.

Statements regarding the suitability of products for certain types of applications are based on Vishay's knowledge of typical requirements that are often placed on Vishay products in generic applications. Such statements are not binding statements about the suitability of products for a particular application. It is the customer's responsibility to validate that a particular product with the properties described in the product specification is suitable for use in a particular application. Parameters provided in datasheets and / or specifications may vary in different applications and performance may vary over time. All operating parameters, including typical parameters, must be validated for each customer application by the customer's technical experts. Product specifications do not expand or otherwise modify Vishay's terms and conditions of purchase, including but not limited to the warranty expressed therein.

Hyperlinks included in this datasheet may direct users to third-party websites. These links are provided as a convenience and for informational purposes only. Inclusion of these hyperlinks does not constitute an endorsement or an approval by Vishay of any of the products, services or opinions of the corporation, organization or individual associated with the third-party website. Vishay disclaims any and all liability and bears no responsibility for the accuracy, legality or content of the third-party website or for that of subsequent links.

Except as expressly indicated in writing, Vishay products are not designed for use in medical, life-saving, or life-sustaining applications or for any other application in which the failure of the Vishay product could result in personal injury or death. Customers using or selling Vishay products not expressly indicated for use in such applications do so at their own risk. Please contact authorized Vishay personnel to obtain written terms and conditions regarding products designed for such applications.

No license, express or implied, by estoppel or otherwise, to any intellectual property rights is granted by this document or by any conduct of Vishay. Product names and markings noted herein may be trademarks of their respective owners.

单击下面可查看定价，库存，交付和生命周期等信息

[>>Vishay\(威世\)](#)