

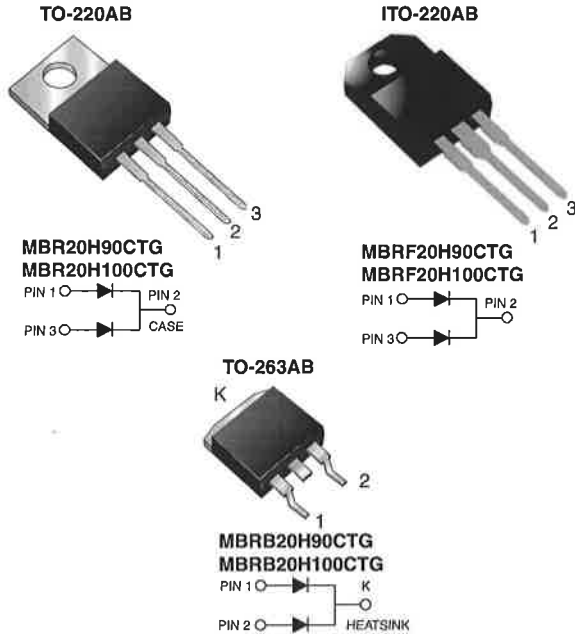


MBR(F,B)20H90CTG thru MBR(F,B)20H100CTG

Vishay General Semiconductor

Dual Common-Cathode High-Voltage Schottky Rectifier

High Barrier Technology for improved high temperature performance



FEATURES

- Guardring for overvoltage protection
- Lower power losses, high efficiency
- Low forward voltage drop
- Low leakage current
- High forward surge capability
- High frequency operation
- Meets MSL level 1, per J-STD-020C, LF max peak of 245 °C (for TO-263AB package)
- Solder Dip 260 °C, 40 seconds (for TO-220AB & ITO-220AB package)
- Component in accordance to RoHS 2002/95/EC and WEEE 2002/96/EC



TYPICAL APPLICATIONS

For use in high frequency rectifier of switching mode power supplies, free-wheeling diodes, dc-to-dc converters or polarity protection application.

MECHANICAL DATA

Case: TO-220AB, ITO-220AB, TO-263AB

Epoxy meets UL 94V-0 flammability rating

Terminals: Matte tin plated leads, solderable per J-STD-002B and JESD22-B102D

E3 suffix for commercial grade, HE3 suffix for high reliability grade (AEC Q101 qualified)

Polarity: As marked

Mounting Torque: 10 in-lbs maximum

MAJOR RATINGS AND CHARACTERISTICS

$I_{F(AV)}$	10 A x 2
V_{RRM}	90 V, 100 V
I_{FSM}	150 A
V_F	0.70 V
I_R	3.5 μ A
$T_j \text{ max}$	175 °C

MAXIMUM RATINGS ($T_C = 25$ °C unless otherwise noted)

PARAMETER	SYMBOL	MBR20H90CTG	MBR20H100CTG	UNIT
Maximum repetitive peak reverse voltage	V_{RRM}	90	100	V
Working peak reverse voltage	V_{RWM}	90	100	V
Maximum DC blocking voltage	V_{DC}	90	100	V
Maximum average forward rectified current at $T_C = 155$ °C Total device per diode	$I_{F(AV)}$	20 10		A
Peak forward surge current 8.3 ms single half sine-wave superimposed on rated load per diode	I_{FSM}	150		A
Peak repetitive reverse current per diode at $t_p = 2$ μ s, 1 kHz	I_{RRM}	0.5		A
Voltage rate of change (rated V_R)	dv/dt	10000		V/ μ s
Operating junction and storage temperature range	T_J, T_{STG}	- 65 to + 175		°C
Isolation voltage (ITO-220AB only) From terminal to heatsink $t = 1$ minute	V_{AC}	1500		V

MBR(F,B)20H90CTG thru MBR(F,B)20H100CTG



Vishay General Semiconductor

ELECTRICAL CHARACTERISTICS ($T_C = 25\text{ }^\circ\text{C}$ unless otherwise noted)					
PARAMETER	TEST CONDITIONS	SYMBOL	TYP. VALUE	MAX. VALUE	UNIT
Maximum instantaneous forward voltage per diode (1)	at $I_F = 10\text{ A}$, $T_j = 25\text{ }^\circ\text{C}$	V_F	0.80	0.85	V
	at $I_F = 10\text{ A}$, $T_j = 125\text{ }^\circ\text{C}$		0.64	0.70	
	at $I_F = 20\text{ A}$, $T_j = 25\text{ }^\circ\text{C}$		0.87	0.93	
	at $I_F = 20\text{ A}$, $T_j = 125\text{ }^\circ\text{C}$		0.74	0.80	
Maximum reverse current per diode at working peak reverse voltage (1)	$T_j = 25\text{ }^\circ\text{C}$	I_R	-	3.5	μA
	$T_j = 125\text{ }^\circ\text{C}$		-	4.5	mA

Note:

(1) Pulse test: 300 μs pulse width, 1 % duty cycle

THERMAL CHARACTERISTICS ($T_C = 25\text{ }^\circ\text{C}$ unless otherwise noted)					
PARAMETER	SYMBOL	MBR	MBRF	MBRB	UNIT
Typical thermal resistance per diode	$R_{\theta JC}$	2.0	5.8	2.0	$^\circ\text{C/W}$

ORDERING INFORMATION					
PACKAGE	PREFERRED P/N	UNIT WEIGHT (G)	PACKAGE CODE	BASE QUANTITY	DELIVERY MODE
TO-220AB	MBR20H100CTG-E3/45	1.85	45	50/Tube	Tube
ITO-220AB	MBRF20H100CTG-E3/45	1.99	45	50/Tube	Tube
TO-263AB	MBRB20H100CTG-E3/45	1.35	45	50/Tube	Tube
TO-263AB	MBRB20H100CTG-E3/81	1.35	81	800/Reel	Tape Reel

RATINGS AND CHARACTERISTICS CURVES

($T_A = 25\text{ }^\circ\text{C}$ unless otherwise noted)

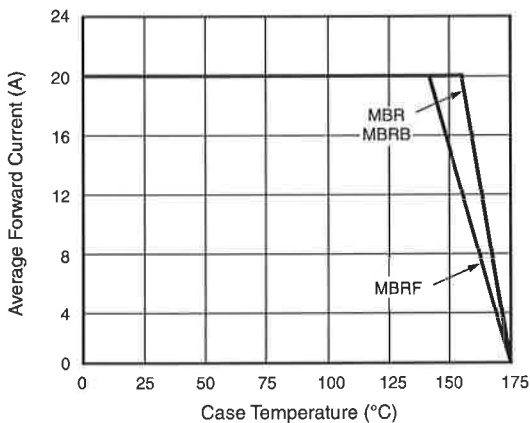


Figure 1. Forward Derating Curve

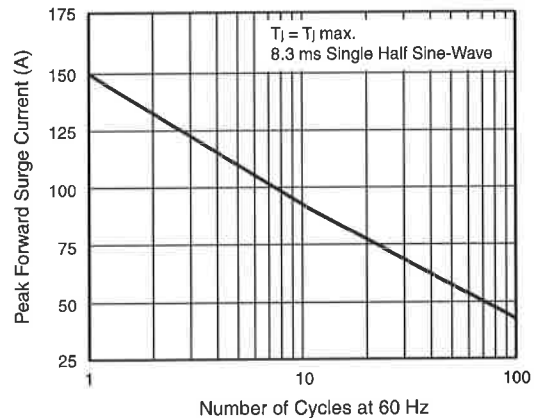


Figure 2. Maximum Non-Repetitive Peak Forward Surge Current Per Diode



MBR(F,B)20H90CTG thru MBR(F,B)20H100CTG

Vishay General Semiconductor

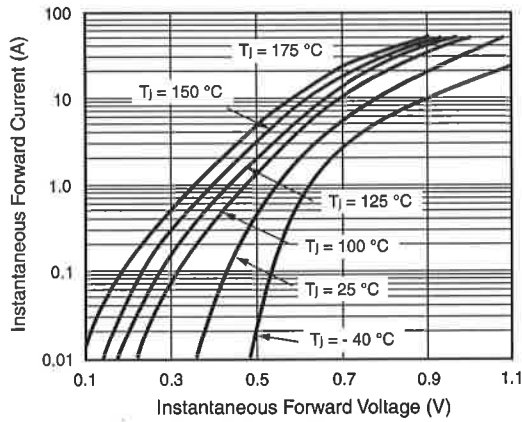


Figure 3. Typical Instantaneous Forward Characteristics Per Diode

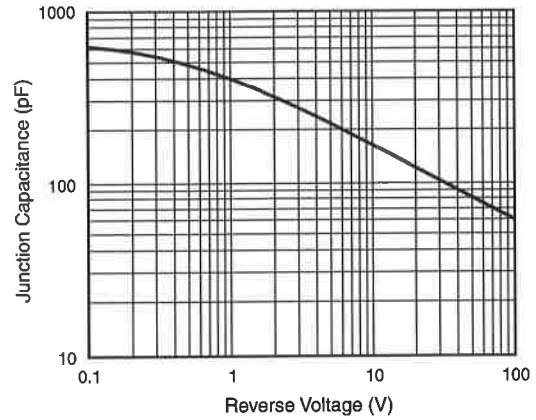


Figure 5. Typical Junction Capacitance Per Diode

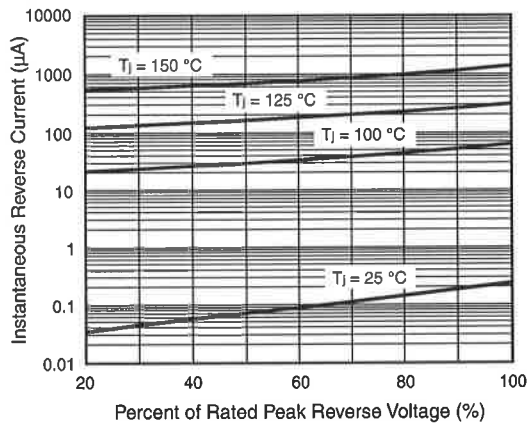


Figure 4. Typical Reverse Characteristics Per Diode

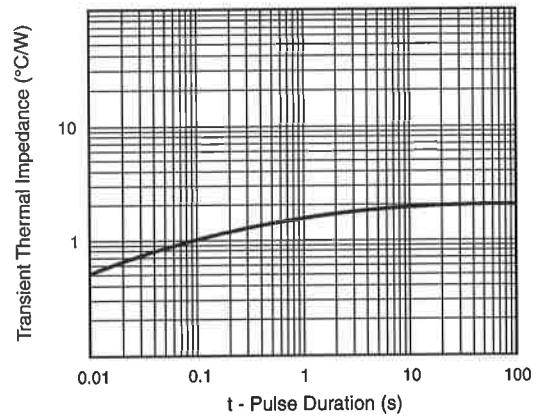


Figure 6. Typical Transient Thermal Impedance Per Diode

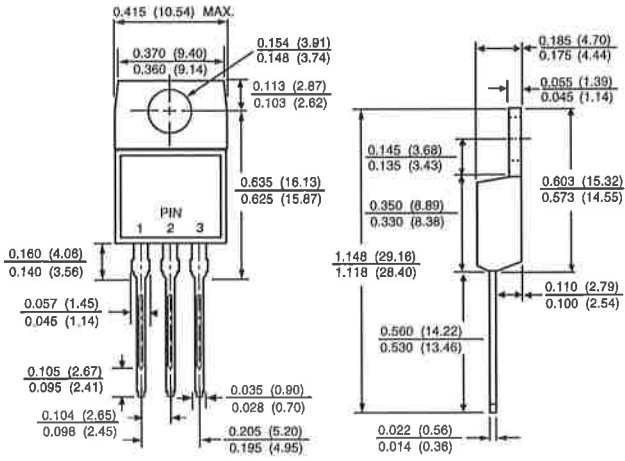
MBR(F,B)20H90CTG thru MBR(F,B)20H100CTG



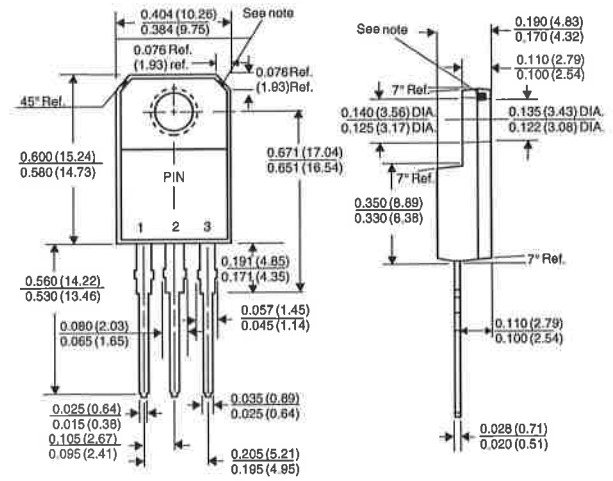
Vishay General Semiconductor

PACKAGE OUTLINE DIMENSIONS in inches (millimeters)

TO-220AB

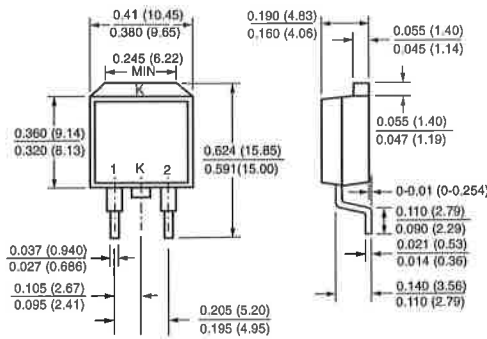


ITO-220AB

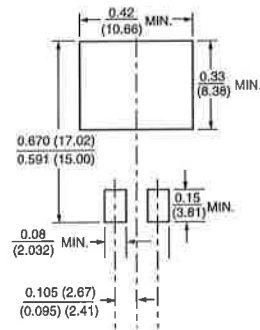


Note: Copper exposure is allowable for 0.005 (0.13) Max. from the body

TO-263AB



Mounting Pad Layout





Notice

Specifications of the products displayed herein are subject to change without notice. Vishay Intertechnology, Inc., or anyone on its behalf, assumes no responsibility or liability for any errors or inaccuracies.

Information contained herein is intended to provide a product description only. No license, express or implied, by estoppel or otherwise, to any intellectual property rights is granted by this document. Except as provided in Vishay's terms and conditions of sale for such products, Vishay assumes no liability whatsoever, and disclaims any express or implied warranty, relating to sale and/or use of Vishay products including liability or warranties relating to fitness for a particular purpose, merchantability, or infringement of any patent, copyright, or other intellectual property right.

The products shown herein are not designed for use in medical, life-saving, or life-sustaining applications. Customers using or selling these products for use in such applications do so at their own risk and agree to fully indemnify Vishay for any damages resulting from such improper use or sale.

单击下面可查看定价，库存，交付和生命周期等信息

[>>Vishay\(威世\)](#)