

Radial Leaded Multilayer Ceramic Capacitors For Automotive Applications

Class 1 and Class 2, 50 V_{DC}, 100 V_{DC}, 200 V_{DC}


FEATURES

- AEC-Q200 qualified with PPAP available
- High reliability MLCC insert with wet build process
- High operating temperature up to 160 °C
- High capacitance with small size
- Radial mounting style
- Crimp and straight leadstyles
- Parts compliant with ELV directive
- Material categorization: for definitions of compliance please see www.vishay.com/doc?99912


RoHS
COMPLIANT

APPLICATIONS

- Automotive

QUICK REFERENCE DATA								
DESCRIPTION	VALUE							
Ceramic Class	1			2				
Ceramic Dielectric	C0G			X7R		X8R		
Voltage (V _{DC})	50	100	200	50	100	200	50	100
Min. Capacitance (pF)	100	100	100	470	470	330	470	470
Max. Capacitance (pF)	10 000	10 000	1000	1 000 000	470 000	100 000	150 000	27 000
Mounting	Radial							

MARKING

Marking indicates capacitance value and tolerance in accordance with "EIA 198".

OPERATING TEMPERATURE RANGE

-55 °C to +160 °C (50 % rated voltage above 150 °C)

TEMPERATURE CHARACTERISTICS

Class 1: C0G

Class 2: X7R, X8R

SECTIONAL SPECIFICATIONS

Climatic category (acc. to EN 60058-1)

Class 1 and 2: 55/125/21

APPROVALS

EIA 198

IEC 60384-9

AEC-Q200

DESIGN

- The capacitors consist of a high reliability MLCC
- The lead wires are 0.5 mm and are made of 100 % tinned copper clad steel wire (nickel wires for welding are available on request)
- The capacitors may be supplied with straight or kinked leads having a lead spacing of 2.5 mm and 5.0 mm
- Coating is made of yellow colored flame retardant epoxy resin in accordance with UL 94 V-0

CAPACITANCE RANGE

100 pF to 1 μF

TOLERANCE ON CAPACITANCE

± 5 %, ± 10 %, ± 20 %

RATED VOLTAGE

50 V_{DC}, 100 V_{DC}, 200 V_{DC}

TEST VOLTAGE

- 50 V_{DC} and 100 V_{DC}: 250 % of rated voltage
- 200 V_{DC}: 200 % of rated voltage

INSULATION RESISTANCE

100 GΩ or 1000 ΩF whichever is less at rated voltage within 2 min of charging.

DISSIPATION FACTOR

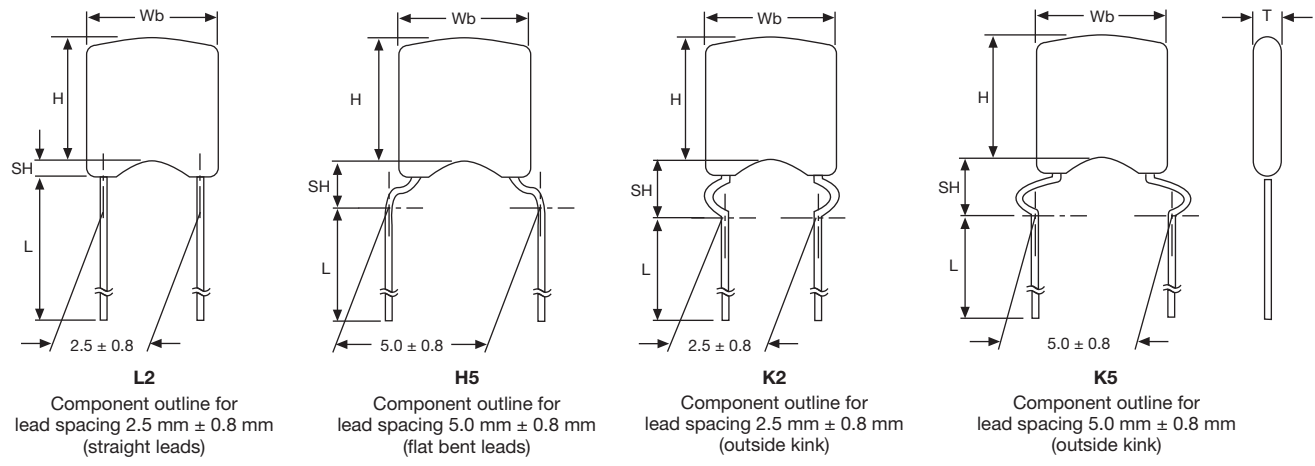
Class 1: 0.1 % max.

(at 1 MHz, 1 V where C ≤ 1000 pF;
at 1 kHz, 1 V where C > 1000 pF)

Class 2: 2.5 % max.

(at 1 kHz, 1 V)

LEAD CONFIGURATION AND DIMENSIONS in millimeters

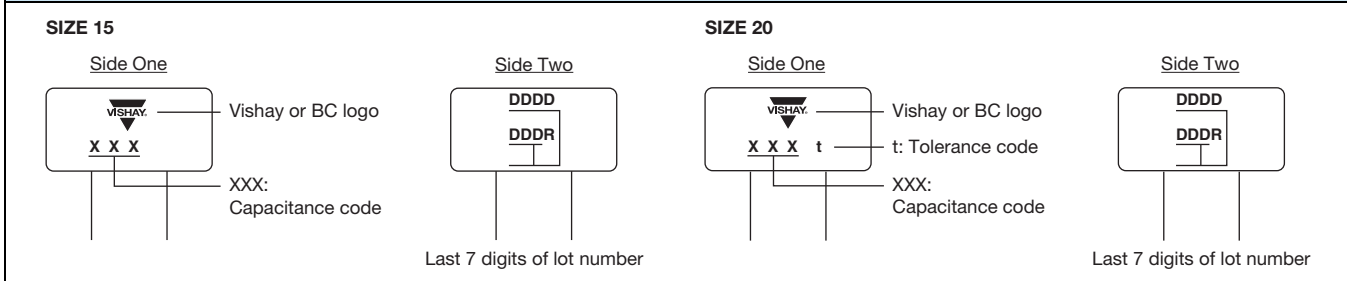


SIZE CODE	Wb _{MAX.}	H _{MAX.}	T _{MAX.}	Lead Diameter	MAXIMUM SEATING HEIGHT (SH)			
					L2	H5	K2	K5
15	3.0 - 3.8	2.0 - 3.8	1.6 - 2.6	0.50 ± 0.05	1.6	2.6	3.5	3.5
20	4.3 - 5.1	2.5 - 5.1	1.9 - 3.2	0.50 ± 0.05	1.6	2.6	3.5	3.5

Notes

- Bulk packed types have a standard lead length L = 30 mm ± 5 mm.
- L2 and H5 are preferred styles.

MARKING



Notes

- Two significant digits followed by one digit for the multiplier as given following: 1 = * 10, 2 = * 100, 3 = * 1000, 4 = * 10 000, 5 = * 100 000
- The tolerance codes are J = 5 %, K = 10 %, M = 20 %

ORDERING CODE INFORMATION

Product Type	Capacitance (pF)	Capacitance Tolerance	Size Code	T.C. Code	Rated Voltage	Lead Diameter	Packaging / Lead Length	Lead Style	Lead Spacing	AEC-Q200 qualified
K = radial leaded MLCC	The first two digits are the significant figures of capacitance and the last digit is a multiplier as follows: 1 = * 10 2 = * 100 3 = * 1000 4 = * 10 000 5 = * 100 000	J = ± 5 % K = ± 10 % M = ± 20 %	Please refer to relevant datasheet	Please refer to relevant datasheet	F = 50 V _{DC} H = 100 V _{DC} K = 200 V _{DC}	5 = 0.50 mm ± 0.05 mm	3 = bulk T = tape and reel U = ammo	H = flat crimp L = straight K = outside crimp	2 = 2.5 mm 5 = 5.0 mm	R = AEC-Q200 qualified and RoHS-compliant



ORDERING CODES

DIELECTRIC COG			
CAP. (pF)	50 V _{DC}	100 V _{DC}	200 V _{DC}
100	K101#15C0GF5###R	K101#15C0GH5###R	K101#15C0GK5###R
120	K121#15C0GF5###R	K121#15C0GH5###R	K121#15C0GK5###R
150	K151#15C0GF5###R	K151#15C0GH5###R	K151#15C0GK5###R
180	K181#15C0GF5###R	K181#15C0GH5###R	K181#15C0GK5###R
220	K221#15C0GF5###R	K221#15C0GH5###R	K221#15C0GK5###R
270	K271#15C0GF5###R	K271#15C0GH5###R	K271#15C0GK5###R
330	K331#15C0GF5###R	K331#15C0GH5###R	K331#15C0GK5###R
390	K391#15C0GF5###R	K391#15C0GH5###R	K391#15C0GK5###R
470	K471#15C0GF5###R	K471#15C0GH5###R	K471#15C0GK5###R
560	K561#15C0GF5###R	K561#15C0GH5###R	K561#15C0GK5###R
680	K681#15C0GF5###R	K681#15C0GH5###R	K681#15C0GK5###R
820	K821#15C0GF5###R	K821#15C0GH5###R	K821#15C0GK5###R
1000	K102#15C0GF5###R	K102#15C0GH5###R	K102#15C0GK5###R
1200	K122#15C0GF5###R	K122#15C0GH5###R	-
1500	K152#15C0GF5###R	K152#15C0GH5###R	-
1800	K182#15C0GF5###R	K182#15C0GH5###R	-
2200	K222#15C0GF5###R	K222#20C0GH5###R	-
2700	K272#15C0GF5###R	K272#20C0GH5###R	-
3300	K332#15C0GF5###R	K332#20C0GH5###R	-
3900	K392#15C0GF5###R	K392#20C0GH5###R	-
4700	K472#20C0GF5###R	K472#20C0GH5###R	-
5600	K562#20C0GF5###R	K562#20C0GH5###R	-
6800	K682#20C0GF5###R	K682#20C0GH5###R	-
8200	K822#20C0GF5###R	K822#20C0GH5###R	-
10 000	K103#20C0GF5###R	K103#20C0GH5###R	-

Notes

- Lead diameter is 0.5 mm
- # 5th digit is capacitance tolerance code: ± 5 % = J; ± 10 % = K
- # 13th digit is packaging code: bulk = 3; reel = T; ammo = U
- # 14th digit is lead style code: L; H; K (L and H are preferred lead configuration)
- # 15th digit is lead spacing code: 2.5 mm = 2; 5.0 mm = 5



DIELECTRIC X7R			
CAP. (pF)	50 V _{DC}	100 V _{DC}	200 V _{DC}
330	-	-	K331#15X7RK5###R
390	-	-	K391#15X7RK5###R
470	K471#15X7RF5###R	K471#15X7RH5###R	K471#15X7RK5###R
560	K561#15X7RF5###R	K561#15X7RH5###R	K561#15X7RK5###R
680	K681#15X7RF5###R	K681#15X7RH5###R	K681#15X7RK5###R
820	K821#15X7RF5###R	K821#15X7RH5###R	K821#15X7RK5###R
1000	K102#15X7RF5###R	K102#15X7RH5###R	K102#15X7RK5###R
1200	K122#15X7RF5###R	K122#15X7RH5###R	K122#15X7RK5###R
1500	K152#15X7RF5###R	K152#15X7RH5###R	K152#15X7RK5###R
1800	K182#15X7RF5###R	K182#15X7RH5###R	K182#15X7RK5###R
2200	K222#15X7RF5###R	K222#15X7RH5###R	K222#15X7RK5###R
2700	K272#15X7RF5###R	K272#15X7RH5###R	K272#15X7RK5###R
3300	K332#15X7RF5###R	K332#15X7RH5###R	K332#15X7RK5###R
3900	K392#15X7RF5###R	K392#15X7RH5###R	K392#15X7RK5###R
4700	K472#15X7RF5###R	K472#15X7RH5###R	K472#15X7RK5###R
5600	K562#15X7RF5###R	K562#15X7RH5###R	K562#15X7RK5###R
6800	K682#15X7RF5###R	K682#15X7RH5###R	K682#15X7RK5###R
8200	K822#15X7RF5###R	K822#15X7RH5###R	K822#15X7RK5###R
10 000	K103#15X7RF5###R	K103#15X7RH5###R	K103#15X7RK5###R
12 000	K123#15X7RF5###R	K123#15X7RH5###R	K123#15X7RK5###R
15 000	K153#15X7RF5###R	K153#15X7RH5###R	K153#15X7RK5###R
18 000	K183#15X7RF5###R	K183#15X7RH5###R	K183#15X7RK5###R
22 000	K223#15X7RF5###R	K223#15X7RH5###R	K223#15X7RK5###R
27 000	K273#15X7RF5###R	K273#15X7RH5###R	K273#15X7RK5###R
33 000	K333#15X7RF5###R	K333#15X7RH5###R	K333#20X7RK5###R
39 000	K393#15X7RF5###R	K393#15X7RH5###R	K393#20X7RK5###R
47 000	K473#15X7RF5###R	K473#15X7RH5###R	K473#20X7RK5###R
56 000	K563#15X7RF5###R	K563#15X7RH5###R	K563#20X7RK5###R
68 000	K683#15X7RF5###R	K683#15X7RH5###R	K683#20X7RK5###R
82 000	K823#15X7RF5###R	K823#15X7RH5###R	K823#20X7RK5###R
100 000	K104#15X7RF5###R	K104#15X7RH5###R	K104#20X7RK5###R
150 000	K154#15X7RF5###R	K154#20X7RH5###R	-
220 000	K224#20X7RF5###R	K224#20X7RH5###R	-
330 000	K334#20X7RF5###R	K334#20X7RH5###R	-
470 000	K474#20X7RF5###R	K474#20X7RH5###R	-
560 000	K564#20X7RF5###R	-	-
680 000	K684#20X7RF5###R	-	-
1 000 000	K105#20X7RF5###R	-	-

Notes

- Lead diameter is 0.5 mm
- # 5th digit is capacitance tolerance code: ± 10 % = K; ± 20 % = M
- # 13th digit is packaging code: bulk = 3; reel = T; ammo = U
- # 14th digit is lead style code: L; H; K (L and H are preferred lead configuration)
- # 15th digit is lead spacing code: 2.5 mm = 2; 5.0 mm = 5



DIELECTRIC X8R		
CAP. (pF)	50 V _{DC}	100 V _{DC}
470	K471#15X8RF5###R	K471#15X8RH5###R
560	K561#15X8RF5###R	K561#15X8RH5###R
680	K681#15X8RF5###R	K681#15X8RH5###R
820	K821#15X8RF5###R	K821#15X8RH5###R
1000	K102#15X8RF5###R	K102#15X8RH5###R
1200	K122#15X8RF5###R	K122#15X8RH5###R
1500	K152#15X8RF5###R	K152#15X8RH5###R
1800	K182#15X8RF5###R	K182#15X8RH5###R
2200	K222#15X8RF5###R	K222#15X8RH5###R
2700	K272#15X8RF5###R	K272#15X8RH5###R
3300	K332#15X8RF5###R	K332#15X8RH5###R
3900	K392#15X8RF5###R	K392#15X8RH5###R
4700	K472#15X8RF5###R	K472#15X8RH5###R
5600	K562#15X8RF5###R	K562#15X8RH5###R
6800	K682#15X8RF5###R	K682#15X8RH5###R
8200	K822#15X8RF5###R	K822#15X8RH5###R
10 000	K103#15X8RF5###R	K103#15X8RH5###R
12 000	K123#15X8RF5###R	K123#15X8RH5###R
15 000	K153#15X8RF5###R	K153#15X8RH5###R
18 000	K183#15X8RF5###R	K183#15X8RH5###R
22 000	K223#15X8RF5###R	K223#15X8RH5###R
27 000	K273#15X8RF5###R	K273#15X8RH5###R
33 000	K333#15X8RF5###R	-
39 000	K393#15X8RF5###R	-
47 000	K473#15X8RF5###R	-
56 000	K563#15X8RF5###R	-
68 000	K683#20X8RF5###R	-
82 000	K823#20X8RF5###R	-
100 000	K104#20X8RF5###R	-
150 000	K154#20X8RF5###R	-

Notes

- Lead diameter is 0.5 mm
- # 5th digit is capacitance tolerance code: ± 10 % = K; ± 20 % = M
- # 13th digit is packaging code: bulk = 3; reel = T; ammo = U
- # 14th digit is lead style code: L; H; K (L and H are preferred lead configuration)
- # 15th digit is lead spacing code: 2.5 mm = 2; 5.0 mm = 5

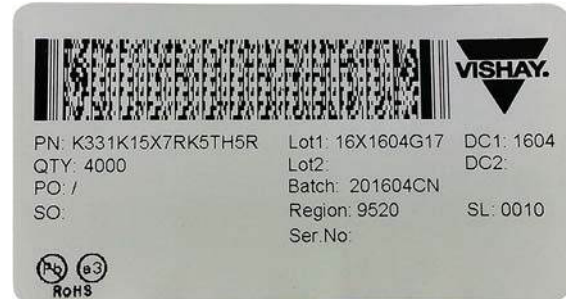
TAPING AND PACKAGING
LABELLING

Each reel is provided with a label showing the following details:

manufacturer, K style, capacitance, tolerance, batch number, quantity of components, rated voltage, dielectric.

On special request other designations can be shown.

For example:



PACKAGING QUANTITIES AND BOX DIMENSIONS			
PACKAGING	SIZE CODE	SMALLEST PACKAGING QUANTITY (SPQ)	BOX DIMENSIONS L x W x H (mm)
Tape on reel	15	4000	370 x 370 x 60
	20	3000	
Ammopack	15, 20	2500	335 x 290 x 50
Bulk ⁽¹⁾	15, 20	5000	245 x 120 x 65

Note

⁽¹⁾ SPQ contains one or a multiple of poly-bags, 1000 units per bag.

CAPACITORS ON TAPE			
PARAMETER	SYMBOL	DIMENSIONS	
		mm	INCH
Cut-off length	L	≤ 11.0	≤ 0.443
Lead end protrusion	L ₁	≤ 1.0	≤ 0.039
Height to seating plane (straight leads)	H	≥ 18.0	≥ 0.709
Height to seating plane (crimp leads)	H ₀	16.0 ± 0.5	0.630 ± 0.020
Top of component height	H ₁	≤ 32	≤ 1.26
Body inclination	Δh	0.0 ± 1.0	0.000 ± 0.039
Carrier tape width	W	18.0 + 1.0 / - 0.5	0.709 + 0.039 / - 0.020
Hold down tape width	W ₀	15.0 REF.	0.591 REF.
Sprocket hole position	W ₁	9.00 + 0.075 / - 0.50	0.354 + 0.030 / - 0.020
Lead space	F	2.50 + 0.60 / - 0.40	0.100 + 0.024 / - 0.016
		5.00 + 0.60 / - 0.40	0.200 + 0.024 / - 0.016
Sprocket hole pitch	P ₀	12.70 ± 0.30	0.500 ± 0.012
Sprocket hole center to lead center at F = 2.5 mm	P ₁	5.08 ± 0.70	0.200 ± 0.028
Sprocket hole center to lead center at F = 5 mm		3.85 ± 0.70	0.150 ± 0.028
Sprocket hole diameter	D ₀	4.00 ± 0.30	0.157 ± 0.012
Overall tape thickness	t	≤ 0.90	≤ 0.035
Wire lead diameter	d	0.50 ± 0.05	0.020 ± 0.002
Taping pitch	P	12.7 REF.	0.50 REF.

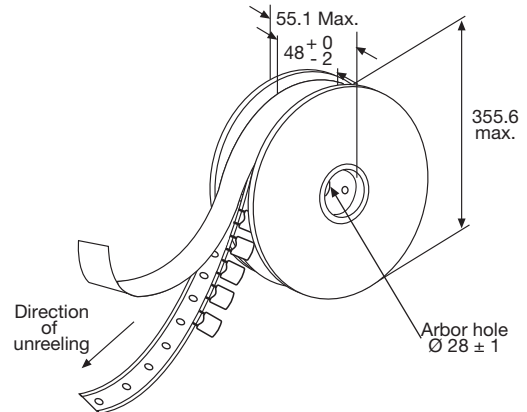
REEL DATA

A maximum of 0.5 % of the total number of capacitors per reel may be missing.

A maximum of 1 consecutive vacant positions is followed by 6 consecutive components.

Tape begins and ends with a minimum of 4 empty positions (50 mm tape).

Maximum of 5 splicers per reel.

REEL


REEL DIMENSIONS			
REEL SIZE			(mm)
A	Outer diameter		355.6 max.
L	Hole diameter		28 ± 1
K	Core diameter		90
H ₁	Internal width		48 + 0 / - 2
H ₂	External width		55 max.

AMMOPACK DATA

A maximum of 0.5 % of the total number of capacitors per pack may be missing.

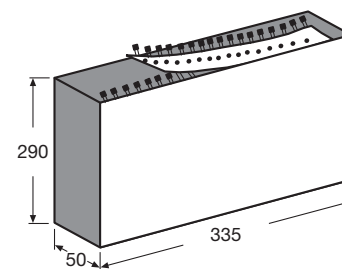
A maximum of 1 consecutive vacant positions is followed by 6 consecutive components.

Tape begins and ends with a minimum of 4 empty positions (50 mm tape).

Maximum of 5 splicers per pack.

The cumulative pitch tolerance over 20 consecutive units is not to exceed ± 1.0 mm.

Lead space (F) shall be measured at (3.6 ± 0.5) mm from the capacitor seating plane.

AMMOPACK


RELATED DOCUMENTS	
General Information	www.vishay.com/doc?45214



Disclaimer

ALL PRODUCT, PRODUCT SPECIFICATIONS AND DATA ARE SUBJECT TO CHANGE WITHOUT NOTICE TO IMPROVE RELIABILITY, FUNCTION OR DESIGN OR OTHERWISE.

Vishay Intertechnology, Inc., its affiliates, agents, and employees, and all persons acting on its or their behalf (collectively, "Vishay"), disclaim any and all liability for any errors, inaccuracies or incompleteness contained in any datasheet or in any other disclosure relating to any product.

Vishay makes no warranty, representation or guarantee regarding the suitability of the products for any particular purpose or the continuing production of any product. To the maximum extent permitted by applicable law, Vishay disclaims (i) any and all liability arising out of the application or use of any product, (ii) any and all liability, including without limitation special, consequential or incidental damages, and (iii) any and all implied warranties, including warranties of fitness for particular purpose, non-infringement and merchantability.

Statements regarding the suitability of products for certain types of applications are based on Vishay's knowledge of typical requirements that are often placed on Vishay products in generic applications. Such statements are not binding statements about the suitability of products for a particular application. It is the customer's responsibility to validate that a particular product with the properties described in the product specification is suitable for use in a particular application. Parameters provided in datasheets and / or specifications may vary in different applications and performance may vary over time. All operating parameters, including typical parameters, must be validated for each customer application by the customer's technical experts. Product specifications do not expand or otherwise modify Vishay's terms and conditions of purchase, including but not limited to the warranty expressed therein.

Except as expressly indicated in writing, Vishay products are not designed for use in medical, life-saving, or life-sustaining applications or for any other application in which the failure of the Vishay product could result in personal injury or death. Customers using or selling Vishay products not expressly indicated for use in such applications do so at their own risk. Please contact authorized Vishay personnel to obtain written terms and conditions regarding products designed for such applications.

No license, express or implied, by estoppel or otherwise, to any intellectual property rights is granted by this document or by any conduct of Vishay. Product names and markings noted herein may be trademarks of their respective owners.

单击下面可查看定价，库存，交付和生命周期等信息

[>>Vishay\(威世\)](#)

[>>点击查看相关商品](#)