



REFERENCE SPECIFICATION 参考规格书

客户名称 CUSTOMER: _____

产品名称 PRODUCT NAME: 贴片功率电感 SMD power inductor

客户料号 CUSTOMER PART NO.: _____

五轮谷料号 OUR PART NO.: VOGMM252010C

制造公司 MANUFACTURING NAME

深圳市五轮谷科技有限公司

SHENZHEN VOG TECHNOLOGY CO., LTD

研发地址：广东省深圳市南山区海岸时代公寓东座1711

R&D Add:#1711 East B. Coastal Time Dept.Nanshan Shenzhen Guangdong Province

邮编:518000 Postcode :518000

电话：86-755-86050364 TEL：86-755-86050364

传真：86-755-86070710 FAX：86-755-86070710

工厂地址：广东省中山市南朗镇翠亨大道莱宝工业园一楼

Factor Add：1st F Laibao industrial Zone Cuiheng road Nanlang Zhongshan Guangdong .

CFM. 批准	CHK. 审核	ISSUER. 担当



目录 CATALOG

1	适用范围 Scope
2	品名构成 Product Identification
3	外形尺寸 Appearance and dimensions
4	电气特性 Electrical Characteristics And Test Instruments
5	包装 Packaging

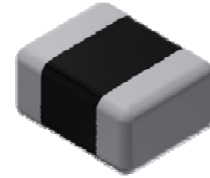
1.适用范围 Scope

本规格书适用于VOGMM252010C 系列贴片功率电感

This specification applies to the VOGMM252010C series of SMD power inductors.

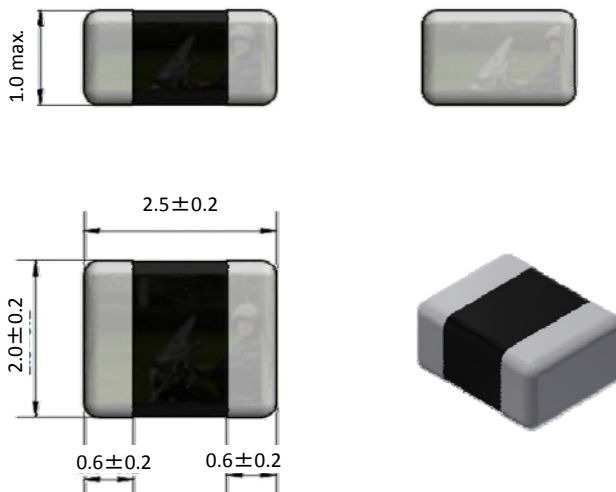
2.品名构成 Product Identification

VOGMM 252010C -1R0 M
 ① ② ③ ④



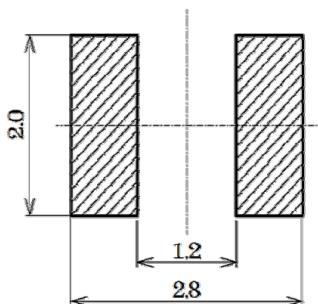
- ① 产品系列 Series name
- ② 产品尺寸 Product dimensions
- ③ 电感值 Inductance Value
- ④ 电感公差 Inductance Tolerance

3.外形尺寸 Appearance and dimensions



单位：mm

推荐焊盘 Recommended Land Pattern





4.电性和测试仪器 Electrical Characteristics And Test Instruments

客户料号 Customer's Part No.	五轮谷 料号Part No.	L (uH)	偏差 Tolerance	直流电阻Rdc (mΩ) Max.[Typ.]	饱和电流 I _{sat} (A) Max.[Typ.]	温升电流 I _{temp} (A) Max.[Typ.]	備考 Remarks
	VOGMM252010C-R47M	0.47	±20%	42 [32]	3.8 [4.8]	3.4 [4.0]	
	VOGMM252010C-1R0M	1.0	±20%	72 [53]	2.9 [3.6]	2.7 [3.2]	
	VOGMM252010C-1R5M	1.5	±20%	98 [84]	2.3 [3.0]	2.1 [2.5]	
	VOGMM252010C-2R2M	2.2	±20%	142 [122]	2.1 [2.5]	1.7 [2.0]	
	VOGMM252010C-3R3M	3.3	±20%	218 [182]	1.6 [2.0]	1.4 [1.6]	
	VOGMM252010C-4R7M	4.7	±20%	280 [230]	1.4 [1.6]	1.0 [1.2]	
	VOGMM252010C-6R8M	6.8	±20%	500 [398]	1.2 [1.5]	0.85 [1.1]	
	VOGMM252010C-100N	10	±30%	650 [560]	1.1 [1.4]	0.80 [1.0]	

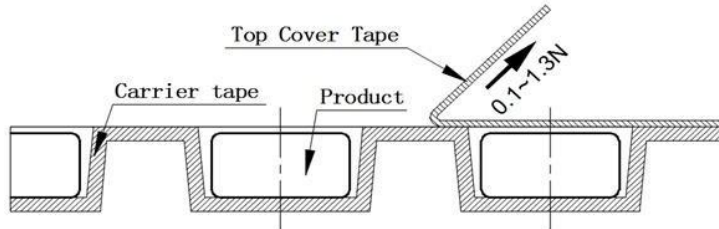
Note:

- a. Irms: DC current (A) that will cause an approximate ΔT of 40 °C.
- b. Isat: DC current (A) that will cause L₀ to drop approximately 30%.
- c. The part temperature (ambient + temp. rise) should not exceed 125 °C under worst case operating conditions.
- d. Temperature rise is highly depending on many factors, including PCB land pattern, trace size, and proximity to other components. Therefore temperature rise should be verified in application conditions.

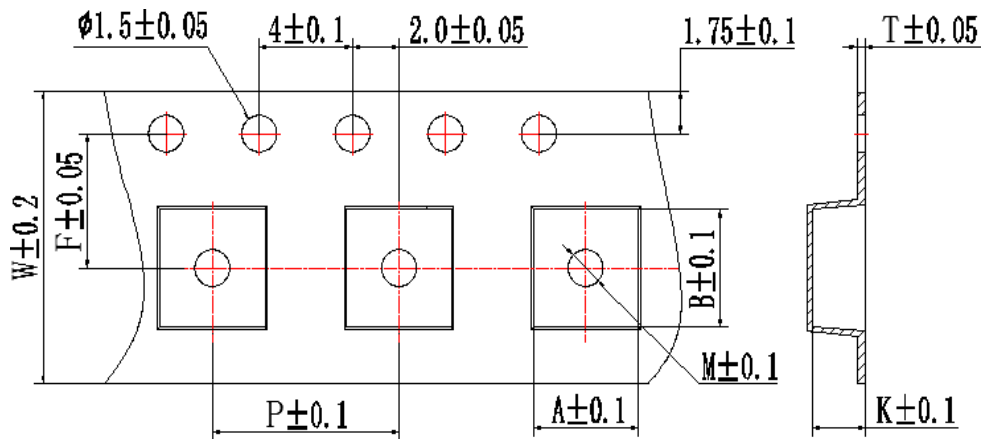
5. 包装信息 Package Information

5.1 Packaging - Cover tape

The peel force of top cover tape shall be between 0.1 to 1.3N.



5.2 Tape Dimensions in mm

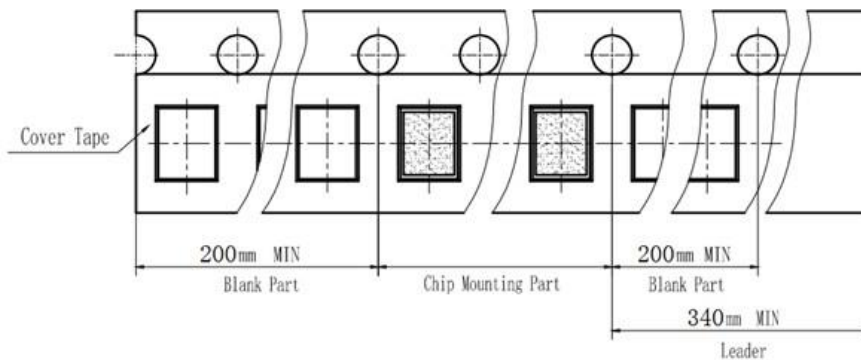


Type	Carrier Tape Dimensions							
	A	B	T	W	P	F	K	M
252012	2.25	2.8	0.22	8	4	3.5	1.35	1.5

5.3 Tape materials

Carrier Tape : polycarbonate (PC , Transparent)

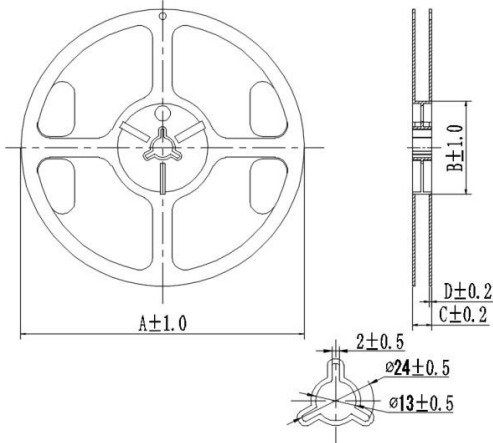
Cover Tape : polystyrene (PS, Transparent , Heat sealing type)



5.4 Packaging Quantity

Type	Bulk	Pcs/Reel
252012	/	3000

5.5 Reel Dimensions



Reel Dimensions: mm

Type	A	B	C	D
252012	178	60	12	1.5

2 Notice

1. Please make sure that your product has been evaluated and confirmed against your specifications when our product is mounted to your product.
2. Do not knock nor drop.
3. All the items and parameters in this product specification have been prescribed on the premise that our product is used for the purpose, under the condition and in the environment agreed upon between you and us. You are requested not to use our product deviating from such agreement.
4. Please keep the distance between molding choke and other components (refer to the IEC 950



单击下面可查看定价，库存，交付和生命周期等信息

[>>VOG\(五轮谷\)](#)