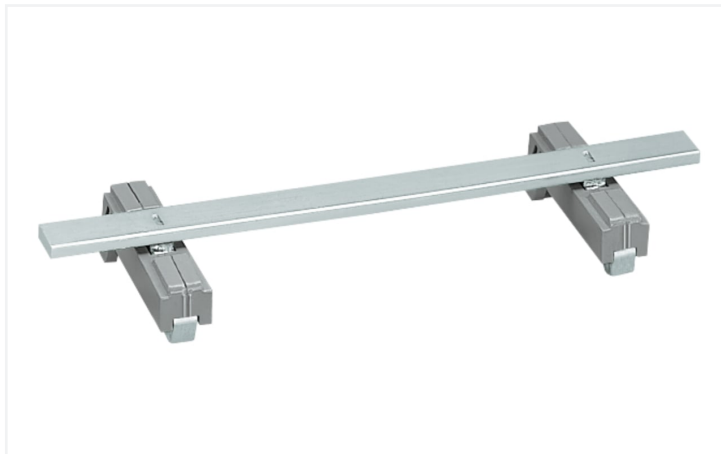


技术参数表 | 型号: 790-115

汇流条, 带有2个接地脚; 与导轨平行; 长度 125 mm; Cu 10 mm x 3 mm; 灰色

<https://www.wago.com/790-115>



颜色: ■ 灰色

材料参数

颜色	灰色
火灾荷载	0.226 MJ
重量	60.4 g

商业数据

Product Group	2 (Terminal Block Accessories)
eCl@ss 10.0	27-14-11-92
eCl@ss 9.0	27-14-11-92
ETIM 8.0	EC002848
ETIM 7.0	EC002848
PU (SPU)	25 个
包装类型	盒
原产国	DE
GTIN	4045454230937
海关税号	85369095000

Environmental Product Compliance

CAS-No.	7439-92-1
REACH Candidate List Substance	Lead
RoHS Compliance Status	Compliant, No Exemption
SCIP notification number (Austria)	a657edbc-0813-4a4d-9b49-28f0c6b4ba98
SCIP notification number (Belgium)	d72d4cc3-f103-424a-92ce-b19659ef0ec7
SCIP notification number (Bulgaria)	b5f38d0f-8bd3-494d-9cd2-7f30f1a9fa03
SCIP notification number (Czech Republic)	08f4e105-c01d-4647-a410-62088672f77e
SCIP notification number (Denmark)	071ddb39-a094-48e1-b42d-7dc1f5c5cf74
SCIP notification number (Finland)	a7348eb3-5853-4684-acf1-e752e3643764
SCIP notification number (France)	67e9a294-544f-4fd2-874f-6ef27078e11f
SCIP notification number (Germany)	e5dcdf21-73be-40a4-a4df-aae678a88001
SCIP notification number (Hungary)	91b7e670-bed3-44de-9541-6bbb399ee0b3
SCIP notification number (Italy)	d49f19db-5fe7-4abf-9499-0f3d08a62cfc
SCIP notification number (Netherlands)	04ea7bce-a75b-4f78-a1e0-fc2b31d58410
SCIP notification number (Poland)	dffe648-be4e-4271-8bb2-9c9cbb5ee50f

Environmental Product Compliance

SCIP notification number (Romania)	b8c2f6ce-11f1-41be-828d-713fe8b68c7a
SCIP notification number (Sweden)	40adca64-c7af-40ef-a22e-9b652e95c66d

下载

Environmental Product Compliance

Compliance Search	
Environmental Product Compliance 790-115	↓

文档

Bid Text			
790-115	19.02.2019	xml 2.60 KB	↓
790-115	28.11.2018	doc 24.00 KB	↓

CAD/CAE-Data

CAD data	
2D/3D Models 790-115	↓

CAE data	
EPLAN Data Portal 790-115	↓
WSCAD Universe 790-115	↓
ZUKEN Portal 790-115	↓

1 相关产品

1.1 可选配件

1.1.1 屏蔽线/连接器过渡线

1.1.1.1 屏蔽线连接器



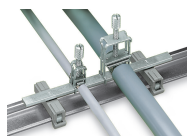
型号: 790-140
屏蔽线连接器; 可用导线直径

型号: 790-108
屏蔽线连接器; 宽度11 mm; 可用导线直径;
3 ... 8 mm

型号: 790-116
屏蔽线连接器; 宽度19 mm; 可用导线直径;
7 ... 16 mm

型号: 790-124
屏蔽线连接器; 宽度27 mm; 可用导线直径;
6 ... 24 mm

操作说明



汇流条, 带有接地脚* (790-1145), 长度
125mm, 汇流条与导轨平行
*适于所有屏蔽线连接器尺寸

单击下面可查看定价，库存，交付和生命周期等信息

[>>WAGO](#)