

APPROVAL SHEET

WF10A

±1%, ±5%

Ultra High Power Chip Resistors

Size 1210, 3/4W

*Contents in this sheet are subject to change without prior notice.

FEATURE

1. High reliability and stability
2. Reduced size of final equipment
3. Ultra high power
4. Higher component and equipment reliability
5. RoHS compliant and Lead free products

APPLICATION

- Consumer electrical equipment
- Automotive application
- EDP, Computer application
- Telecom application

DESCRIPTION

The resistors are constructed in a high grade ceramic body (aluminum oxide). Internal metal electrodes are added at each end and connected by a resistive paste that is applied to the top surface of the substrate. The composition of the paste is adjusted to give the approximate resistance required and the value is trimmed to nominated value within tolerance which controlled by laser trimming of this resistive layer.

The resistive layer is covered with a protective coat. Finally, the two external end terminations are added. For ease of soldering the outer layer of these end terminations is a Tin (lead free) alloy.

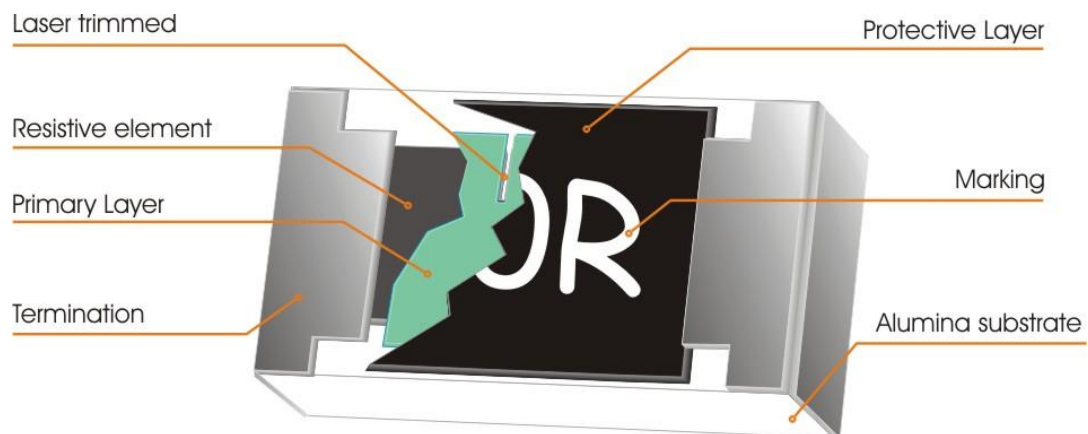


Fig 1. Construction of Chip-R

QUICK REFERENCE DATA

Item	General Specification	
Series No.	WF10A	
Size code	1210 (3225)	
Resistance Tolerance	±5%, ±1%, ±0.5%	
Resistance Range	1Ω ~ 1MΩ	
TCR (ppm/°C) -55°C ~ +155°C	±1%, ±0.5% (E24+E96): 1 ~ 49.9Ω: -200 ~ +500ppm/°C 51 ~ 1MΩ: ≤ ± 100 ppm/°C	±5% (E24): 1 ~ 47Ω: -200 ~ +500ppm/°C 51 ~ 1MΩ: ≤ ± 200 ppm/°C
Max. dissipation at T _{amb} =70°C	3/4 W	
Max. Rated voltage	200V	
Max. Overload voltage	400V	
Climatic category (IEC 60068)	-55 ~ +155°C	
Basic specification	JIS C 5201-1 : 1998	

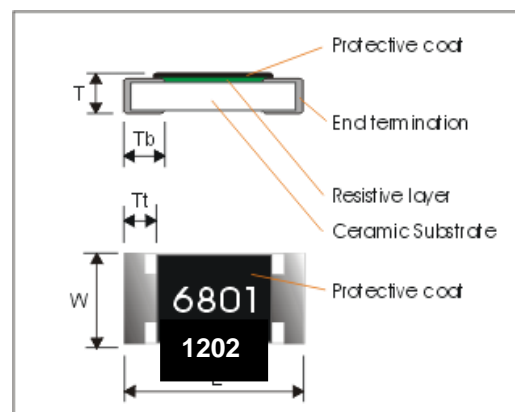
Note :

1. This is the maximum voltage that may be continuously supplied to the resistor element, see "IEC publication 60115-8"
2. Max. Operation Voltage : So called RCWV (Rated Continuous Working Voltage) is determined by

$$RCWV = \sqrt{\text{Rated Power} \times \text{Resistance Value}} \text{ or Max. RCWV listed above, whichever is lower.}$$

DIMENSIONS(unit : mm)

Part No	WF10A
L	3.10 ± 0.15
W	2.50 ± 0.15
t	0.55 ± 0.15
Tt	0.45 ± 0.25
Tb	0.50 ± 0.25



MARKING

1202 = 12Kohm

FUNCTIONAL DESCRIPTION

Product characterization

Standard values of nominal resistance are taken from the E96 & E24 series for resistors with a tolerance of $\pm 1\%$, $\pm 5\%$. The values of the E24/E96 series are in accordance with "IEC publication 60063".

Derating

The power that the resistor can dissipate depends on the operating temperature; see Fig.2

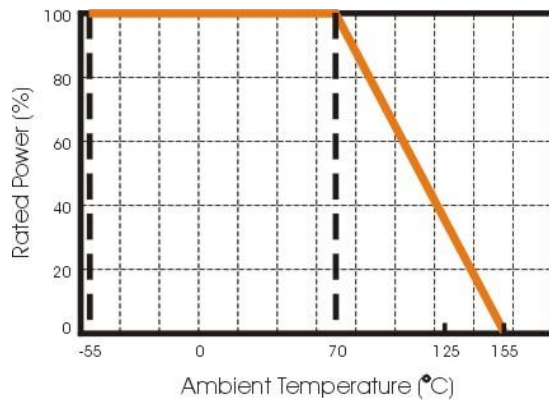


Fig 2. Maximum dissipation in percentage of rated power
As a function of the ambient temperature

SOLDERING CONDITION

The robust construction of chip resistors allows them to be completely immersed in a solder bath of 260°C for 10 seconds. Therefore, it is possible to mount Surface Mount Resistors on one side of a PCB and other discrete components on the reverse (mixed PCBs).

Surface Mount Resistors are tested for solderability at 235°C during 2 seconds. The test condition for no leaching is 260°C for 30 seconds. Typical examples of soldering processes that provide reliable joints without any damage are given in Fig 3.

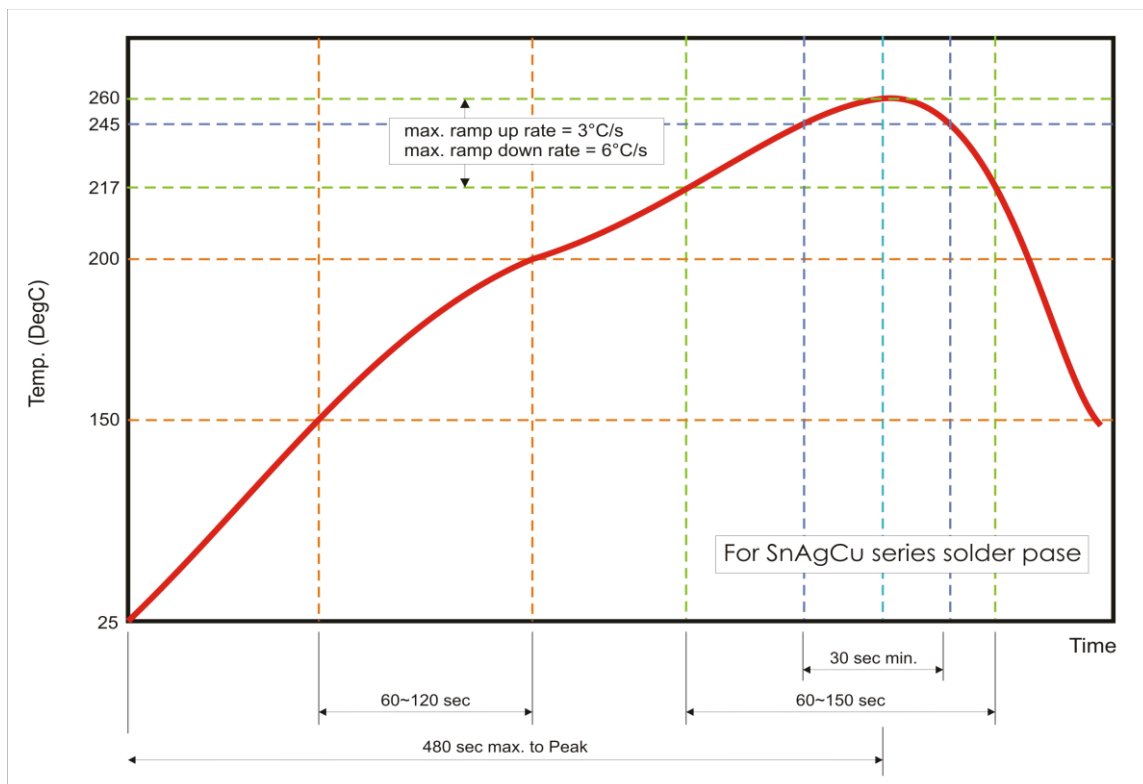


Fig 3. Infrared soldering profile for Chip Resistors

CATALOGUE NUMBERS

The resistors have a catalogue number starting with .

WF10	A	1202	F	T	L
Size code WF10: 1210	Type code A : Power 3/4W	Resistance code 5%, E24: 2 significant digits followed by no. of zeros 100Ω = 101_ 10KΩ = 103 1%, E24+E96: 3 significant digits followed by no. of zeros 100Ω =1000 37.4KΩ =3742	Tolerance F: ± 1% J: ± 5%	Packaging code T: 7" Reeled taping	Termination code L = Sn base (lead free)

- Reeled tape packaging : 8mm width paper taping 5000pcs per 7" reel.

TEST AND REQUIREMENTS(JIS C 5201-1 : 1998)

Basic specification :

The tests are carried out in accordance with IEC publication 68, "Recommended basic climatic and mechanical robustness testing procedure for electronic components" and under standard atmospheric conditions according to IEC 68-1, subclause 5.3, unless otherwise specified.

Temperature: 15°C to 35°C.

Relative humidity: 45% to 75%.

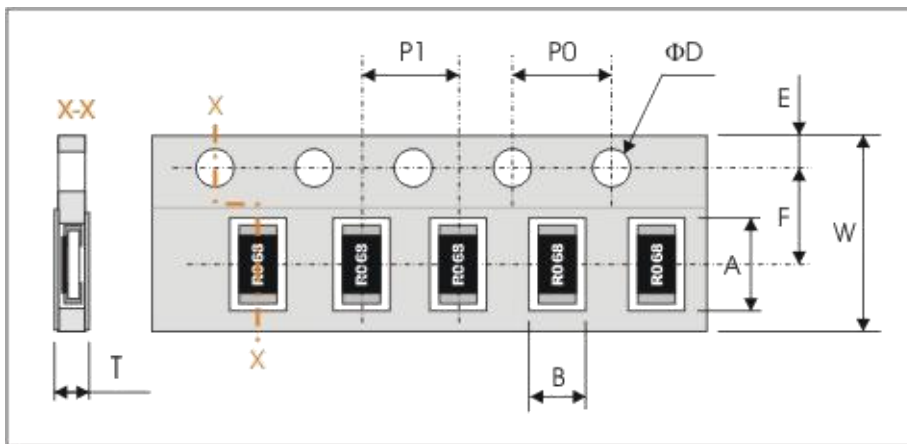
Air pressure: 86kPa to 106 kPa (860 mbar to 1060 mbar).

TEST	PROCEDURE / TEST METHOD	REQUIREMENT
		Resistor
DC resistance Clause 4.5	DC resistance values measured at the test voltages specified below : <10Ω@0.1V, <100Ω@0.3V, <1KΩ@1.0V, <10KΩ@3V, <100KΩ@10V, <1MΩ@25V, <10MΩ@30V	Within the specified tolerance
Temperature Coefficient of Resistance(T.C.R) Clause 4.8	Natural resistance change per change in degree centigrade. $\frac{R_2 - R_1}{R_1(t_2 - t_1)} \times 10^6 \text{ (ppm/}^\circ\text{C)}$ $t_1 : 20^\circ\text{C}+5^\circ\text{C}-1^\circ\text{C}$ R_1 : Resistance at reference temperature R_2 : Resistance at test temperature	Refer to "QUICK REFERENCE DATA"
Short time overload (S.T.O.L) Clause 4.13	Permanent resistance change after a 2 second application of a voltage 2.5 times RCWV or the maximum overload voltage specified in the above list, whichever is less.	$\Delta R/R$ max. $\pm(1\%+0.05\Omega)$
Resistance to soldering heat (R.S.H) Clause 4.18	Un-mounted chips completely immersed for 10 ± 1 second in a SAC solder bath at $260^\circ\text{C} \pm 5^\circ\text{C}$	$\Delta R/R$ max. $\pm(1\%+0.05\Omega)$ no visible damage
Solderability Clause 4.17	Un-mounted chips completely immersed for 2 ± 0.5 second in a SAC solder bath at $235^\circ\text{C} \pm 5^\circ\text{C}$	95% coverage min., good tinning and no visible damage

TEST	PROCEDURE / TEST METHOD	REQUIREMENT
		Resistor
Temperature cycling Clause 4.19	30 minutes at $-55^{\circ}\text{C}\pm 3^{\circ}\text{C}$, 2~3 minutes at $20^{\circ}\text{C}+5^{\circ}\text{C}-1^{\circ}\text{C}$, 30 minutes at $+155^{\circ}\text{C}\pm 3^{\circ}\text{C}$, 2~3 minutes at $20^{\circ}\text{C}+5^{\circ}\text{C}-1^{\circ}\text{C}$, total 5 continuous cycles	$\Delta R/R$ max. $\pm(1\%+0.05\Omega)$
Damp Heat (Load life in humidity) Clause 4.24	1000 +48/-0 hours, loaded with RCWV or V_{max} continuously in humidity chamber controller at $40^{\circ}\text{C}\pm 2^{\circ}\text{C}$ and 90~95% relative humidity,	$\Delta R/R$ max. $\pm(3\%+0.10\Omega)$
Load Life (Endurance) Clause 4.25	1000+48/-0 hours; loaded with RCWV or V_{max} in chamber controller $70\pm 2^{\circ}\text{C}$, 1.5 hours on and 0.5 hours off	$\Delta R/R$ max. $\pm(3\%+0.10\Omega)$
Bending strength Clause 4.33	Resistors mounted on a 90mm glass epoxy resin PCB(FR4), bending once 3mm for 10sec.	No visual damaged, $\Delta R/R$ max. $\pm(1\%+0.05\Omega)$
Adhesion Clause 4.32	Pressurizing force: 5N, Test time: 10 ± 1 sec.	No remarkable damage or removal of the terminations
Insulation Resistance Clause 4.6	Apply the maximum overload voltage (DC) for 1minutes	$R \geq 1\text{G}\Omega$
Dielectric Withstand Voltage Clause 4.7	Apply the maximum overload voltage (AC) for 1 minutes	No breakdown or flashover

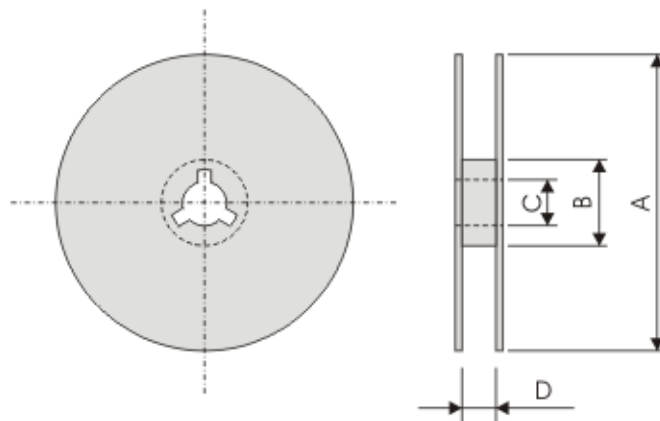
PACKAGING

Paper Tape specifications (unit :mm)



Component Size / Series	W	F	E	P0	ΦD
WF10A	8.00±0.30	3.50±0.20	1.75±0.10	4.00±0.10	Φ1.50 ^{+0.1} _{-0.0}
Component Size / Series	A	B	P1	T	
WF10A	3.60±0.20	3.00±0.20	4.00±0.10	Max. 1.0	

Reel dimensions



Symbol	A	B	C	D
(unit : mm)	Φ178.0±2.0	Φ60.0±1.0	13.0±0.2	9.0±0.5

Taping Quantity

- Chip resistors 5,000 pcs/reel

单击下面可查看定价，库存，交付和生命周期等信息

[>>Walsin Technology\(华新科技\(华科\)\)](#)